



US00D965925S

(12) **United States Design Patent**
Zhu

(10) **Patent No.:** **US D965,925 S**
(45) **Date of Patent:** **** Oct. 4, 2022**

(54) **DOG TRAINING RECEIVER**

(71) Applicant: **Xiao Zhu**, Laohekou (CN)

(72) Inventor: **Xiao Zhu**, Laohekou (CN)

(**) Term: **15 Years**

(21) Appl. No.: **29/814,313**

(22) Filed: **Nov. 4, 2021**

(51) **LOC (13) Cl.** **30-99**

(52) **U.S. Cl.**
USPC **D30/199; D10/104.1**

(58) **Field of Classification Search**

USPC D30/151-155, 144, 199, 160;
119/792-798, 850, 855-859, 863-865,
119/654, 905, 907, 815, 712, 802, 784,
119/769, 760, 776, 862, 908, 860,
119/719-721; 242/381.1-381.2, 385.4,
242/378.3, 376.1, 385.1, 916, 601, 570,
242/405, 404, 371, 223, 170, 388.1,
242/405.2, 377, 381.3, 381.6, 405.3,
242/388.6, 384.7, 382, 396.1, 404.1, 380;
362/108; 33/767, 769, 414; D12/400;
D3/229, 230, 207, 208, 215; 40/1.5, 455,
40/640, 303; 206/63.3, 459.5, 702, 408;
D6/515; D8/358, 360, 347, 360.1, 359,
D8/356, DIG. 1; D24/145, 167, 186, 146,
D24/169; D10/57, 72, 106.1, 104.1,
D10/104.2, 109.2, 70, 97, 98, 78, 65;
D20/28; 224/666, 678; 16/445; 283/74,
283/70; D11/232, 200, 216, 1, 2, 86, 87,
D11/201, 206, 210, 212-215, 218;
24/163 K, 122.3, 323, 702, 600.4-600.7,
24/163 R, 169-171, 173, 177-179, 191,
24/194, 195, 197, 200, 303, 616, 635,
24/313, 615, 3, 6, 3 K, 599.2, 96, 221,
24/237, 311, 312, 314, 321, 338, 339,
24/309; 428/3, 4; 54/76, 1, 71; 63/29.1,
63/3; 191/12.2 R, 12.4; D13/154, 153,
D13/137.4, 155, 103, 168; D19/69, 67;

379/438; 446/26; 473/576; D22/140;
174/135; 439/504, 13, 501; D34/33;
188/83, 82.1, 65.1; 254/134.3 FT;
D29/124; D2/627, 624, 633, 625;
132/145, 146, 148; 2/314; 59/79.1;
340/573.3, 573.1, 573, 573.4,
340/539.13-539.19; 343/895;
278/8 AES; 231/7; 361/232; D14/344,
D14/341, 137, 155, 496, 203.5, 203.3,
(Continued)

(56) **References Cited**

U.S. PATENT DOCUMENTS

4,612,719 A * 9/1986 de Jong A44B 11/006
40/658
5,046,453 A * 9/1991 Vinci A01K 15/022
239/152

(Continued)

Primary Examiner — Susan Moon Lee
(74) *Attorney, Agent, or Firm* — True Shepherd LLC;
Andrew C. Cheng

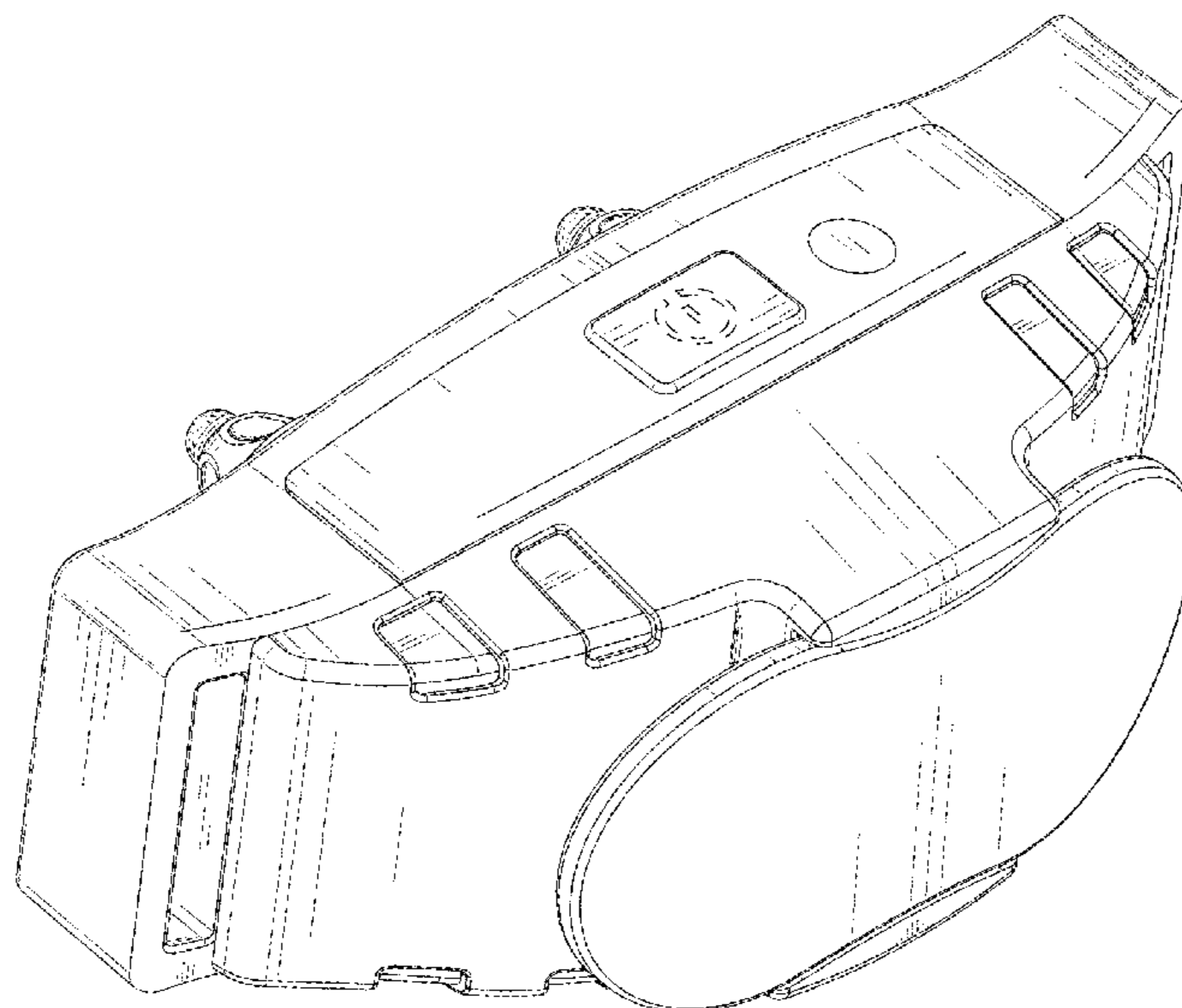
(57) **CLAIM**

The ornamental design for a dog training receiver, as shown and described.

DESCRIPTION

FIG. 1 is a perspective view of a dog training receiver showing my new design;
FIG. 2 is a front view thereof;
FIG. 3 is a rear view thereof;
FIG. 4 is a right side view thereof;
FIG. 5 is a left side view thereof;
FIG. 6 is a bottom plan view thereof; and,
FIG. 7 is a top plan view thereof.
The broken lines depict portions of the dog training receiver and form no part of the claimed design.

1 Claim, 7 Drawing Sheets



(58) **Field of Classification Search**

USPC D14/144, 218, 188, 216, 192;
 342/357.51, 357.57, 357.52, 357.55;
 455/100, 352, 456.1, 550.1; 315/291
 CPC A01K 15/021; A01K 15/02; A01K 15/022;
 A01K 15/023; A01K 15/029; A01K
 15/04; A01K 15/00; A01K 15/006; A01K
 12/022; A01K 27/009; A01K 27/00;
 A01K 27/001; A01K 27/006-008; A01K
 29/005; A01K 29/00; A61B 5/0002-0028;
 A61B 5/681; A61B 5/6822; A61B
 5/6824; A61B 5/6829; G01S 5/0294

See application file for complete search history.

(56) **References Cited**

U.S. PATENT DOCUMENTS

D380,692 S * 7/1997 Heun D30/152
 D385,208 S * 10/1997 Chui D10/104.1
 D385,855 S * 11/1997 Ronzani D14/344
 D387,898 S * 12/1997 Ronzani D3/215
 D400,458 S * 11/1998 Titus D10/104.1
 D410,206 S * 5/1999 Slater D10/104.1
 D420,301 S * 2/2000 Henderson D10/104.1
 D445,352 S * 7/2001 So D30/199
 D477,241 S * 7/2003 Christianson D10/104.1
 D478,830 S * 8/2003 So D30/152
 D478,831 S * 8/2003 So D10/104.1
 D506,982 S * 7/2005 Murtaugh D13/168
 D520,894 S * 5/2006 Zakharyan D30/199
 D523,369 S * 6/2006 Jacober D11/3
 D526,590 S * 8/2006 So D10/104.1
 7,252,051 B2 * 8/2007 Napolez A01K 15/022
 119/718
 D553,037 S * 10/2007 Zakharyan D30/152
 D555,298 S * 11/2007 Garon D30/152
 D582,394 S * 12/2008 Hong D14/506
 D593,451 S * 6/2009 Sayegh D10/106.91
 7,552,699 B2 * 6/2009 Moore A01K 15/023
 119/719
 D597,211 S * 7/2009 Ewing D24/187
 D611,361 S * 3/2010 Knight D10/70
 D632,853 S * 2/2011 Hardi D30/155
 D636,371 S * 4/2011 Spielvogel D14/142
 D637,365 S * 5/2011 Li D30/155
 7,996,983 B2 * 8/2011 Lee, IV A01K 27/009
 29/595
 D657,098 S * 4/2012 So D30/152
 D665,952 S * 8/2012 Guo D30/152
 D673,334 S * 12/2012 Guo D30/152
 D673,473 S * 1/2013 Hogg D10/104.1
 8,393,060 B2 * 3/2013 Morhain A44B 11/005
 24/625
 D683,915 S * 6/2013 So D30/152
 D688,968 S * 9/2013 Guerrero, II D11/3
 D698,685 S * 2/2014 Sayegh D10/106.91
 D699,758 S * 2/2014 Lavin D14/496
 D703,740 S * 4/2014 Sherwin D19/9
 8,714,113 B2 * 5/2014 Lee, IV A01K 15/022
 119/718
 D706,159 S * 6/2014 Ma D11/3
 D706,500 S * 6/2014 Hu D30/152
 D709,780 S * 7/2014 Hogg D10/104.1
 D710,228 S * 8/2014 Burke D10/104.1
 D710,229 S * 8/2014 Burke D10/104.1
 D710,230 S * 8/2014 Burke D10/104.1
 D711,602 S * 8/2014 Driver D24/169
 8,803,692 B2 * 8/2014 Goetzl A01K 27/009
 340/573.3
 D715,675 S * 10/2014 Ma D11/3
 D725,324 S * 3/2015 Schrick D10/104.1
 D725,848 S * 3/2015 So D30/152
 D725,849 S * 3/2015 So D30/152
 D726,052 S * 4/2015 Henning D10/70
 D742,817 S * 11/2015 Lammers-Meis D13/103

D745,229 S * 12/2015 Pulliam D30/199
 D749,005 S * 2/2016 Bruce D10/104.1
 9,247,714 B1 * 2/2016 Tait A01M 29/16
 D756,826 S * 5/2016 Smith D10/114.2
 9,332,812 B2 * 5/2016 Ma A44C 15/0015
 D759,324 S * 6/2016 Pulliam D30/199
 D761,499 S * 7/2016 Pulliam D30/199
 D762,333 S * 7/2016 Pulliam D30/199
 D762,375 S * 8/2016 Duarte D3/218
 D778,184 S * 2/2017 Kikstra D10/70
 D778,445 S * 2/2017 Cadio D24/169
 D788,999 S * 6/2017 Zinn D30/152
 9,679,466 B2 * 6/2017 Hogg A62B 9/006
 D794,261 S * 8/2017 Pulliam D30/152
 D795,111 S * 8/2017 Zhang D10/106.1
 D798,003 S * 9/2017 Dong D30/199
 9,756,833 B2 * 9/2017 So A01K 15/021
 D801,538 S * 10/2017 Rondoni D24/186
 D803,709 S * 11/2017 Le Bihan D10/70
 D805,482 S * 12/2017 McRoberts D13/168
 D806,326 S * 12/2017 Blaska D30/152
 D806,880 S * 1/2018 Henning D14/344
 9,861,080 B1 * 1/2018 Hathway A01K 27/001
 D811,016 S * 2/2018 Liu D30/152
 D811,385 S * 2/2018 Hosoda D14/341
 D816,058 S * 4/2018 Zeng D14/155
 D816,918 S * 5/2018 Li
 D817,557 S * 5/2018 Liu D30/152
 D819,280 S * 5/2018 Li D30/152
 D822,516 S * 7/2018 Van Curen D10/104.1
 D822,921 S * 7/2018 Wen D30/199
 D824,120 S * 7/2018 Yang D30/199
 D824,899 S * 8/2018 Yang D14/344
 D826,763 S * 8/2018 Chuang D11/3
 D828,965 S * 9/2018 Wen D10/104.1
 D829,120 S * 9/2018 Mitchell D10/104.1
 D829,121 S * 9/2018 Colasse D10/106.1
 D834,769 S * 11/2018 Wen D10/104.1
 D835,364 S * 12/2018 Lee D10/104.1
 D836,858 S * 12/2018 Zinn D10/104.1
 10,154,651 B2 * 12/2018 Goetzl A01K 15/021
 D846,817 S * 4/2019 Li D30/152
 D850,732 S * 6/2019 Dong D30/152
 D851,339 S * 6/2019 Solinsky D30/152
 D853,666 S * 7/2019 Ni D10/104.1
 D854,011 S * 7/2019 Ciprian D12/114
 D858,904 S * 9/2019 Zinn D10/104.1
 D860,989 S * 9/2019 Choplin D14/344
 D861,259 S * 9/2019 Dong D30/152
 D863,297 S * 10/2019 Ke D14/344
 D865,546 S * 11/2019 Kellock D10/70
 D865,761 S * 11/2019 Choplin D14/344
 D870,399 S * 12/2019 Van Curen D30/152
 D879,390 S * 3/2020 Cai D10/104.1
 D879,728 S * 3/2020 Park D13/168
 D881,162 S * 4/2020 Zhu D14/218
 D881,874 S * 4/2020 Sobol D14/344
 D884,994 S * 5/2020 Ni D10/104.1
 D890,456 S * 7/2020 Dai D30/199
 D891,286 S * 7/2020 Worth D11/3
 D895,908 S * 9/2020 Yan
 D898,307 S * 10/2020 Yang D10/104.1
 D898,308 S * 10/2020 Yang D10/104.1
 D898,613 S * 10/2020 Stapleton D11/216
 D899,717 S * 10/2020 Van Curen D30/199
 D900,811 S * 11/2020 Sobol D14/344
 D903,663 S * 12/2020 Jones D14/344
 D908,295 S * 1/2021 Mott, Jr. D30/152
 D910,306 S * 2/2021 Chui D3/205
 D919,201 S * 5/2021 Wang D10/104.1
 D925,141 S * 7/2021 Lai D10/104.1
 D925,143 S * 7/2021 Jia D10/104.1
 D926,396 S * 7/2021 Jia D10/104.1
 D929,051 S * 8/2021 Li
 D929,682 S * 8/2021 Li D10/104.1
 11,094,224 B2 * 8/2021 Stapleton G09F 3/08
 11,116,181 B2 * 9/2021 Ma A01M 1/2022
 D936,917 S * 11/2021 Li D10/104.1
 11,172,649 B2 * 11/2021 Brayer A01K 27/005

(56)

References Cited

U.S. PATENT DOCUMENTS

D938,668 S * 12/2021 Jia D10/104.1
 D938,669 S * 12/2021 Jia D10/104.1
 D943,844 S * 2/2022 Li D10/104.1
 D943,845 S * 2/2022 Li D10/104.1
 D944,470 S * 2/2022 Li D10/104.1
 D945,090 S * 3/2022 Dai D10/104.1
 D945,721 S * 3/2022 Luo D10/104.1
 D946,217 S * 3/2022 Makarychev D10/104.1
 D948,816 S * 4/2022 Jin D10/104.1
 D950,170 S * 4/2022 Li D10/104.1
 D952,961 S * 5/2022 Li D30/152
 D953,667 S * 5/2022 Li D30/152
 D954,015 S * 6/2022 Chen D14/155
 D957,763 S * 7/2022 Jia D10/104.1
 2003/0122678 A1* 7/2003 Duncan A01K 15/021
 340/384.1
 2005/0059909 A1* 3/2005 Burgess A61H 11/00
 601/79
 2005/0211187 A1* 9/2005 Harman A01K 15/023
 119/721
 2005/0235924 A1* 10/2005 Lee A01K 15/022
 119/718
 2005/0242137 A1* 11/2005 Fishman A01K 27/001
 224/221
 2007/0227465 A1* 10/2007 Gerig A01K 15/021
 119/859
 2009/0018456 A1* 1/2009 Hung A61B 5/681
 600/509

2009/0205583 A1* 8/2009 So A01K 15/021
 119/719
 2010/0186198 A1* 7/2010 Morhain A01K 27/007
 24/163 K
 2011/0232585 A1* 9/2011 Rich A01K 15/023
 342/458
 2012/0160183 A1* 6/2012 So A01K 15/021
 119/720
 2013/0027207 A1* 1/2013 Goetzl H01Q 1/273
 340/573.3
 2013/0112153 A1* 5/2013 So A01K 15/021
 119/720
 2013/0233252 A1* 9/2013 Bellon A01K 27/009
 119/720
 2014/0261233 A1* 9/2014 So A01K 27/009
 119/720
 2015/0033794 A1* 2/2015 Ma A44C 15/0015
 63/1.13
 2015/0040839 A1* 2/2015 Goetzl A01K 15/021
 119/720
 2015/0128878 A1* 5/2015 Van Curen A01K 15/023
 119/721
 2016/0192623 A1* 7/2016 Rich A01K 15/023
 119/721
 2017/0360003 A1* 12/2017 So A01K 27/009
 2018/0132450 A1* 5/2018 Goetzl A01K 15/021
 2018/0153137 A1* 6/2018 Goetzl A01K 29/005
 2018/0368365 A1* 12/2018 Van Curen A01K 15/021
 2019/0090761 A1* 3/2019 Sawanoi A61B 5/022
 2020/0015456 A1* 1/2020 Van Curen A01K 15/022
 2020/0260693 A1* 8/2020 Ma A01M 1/2061
 2021/0219524 A1* 7/2021 So H04R 1/08

* cited by examiner

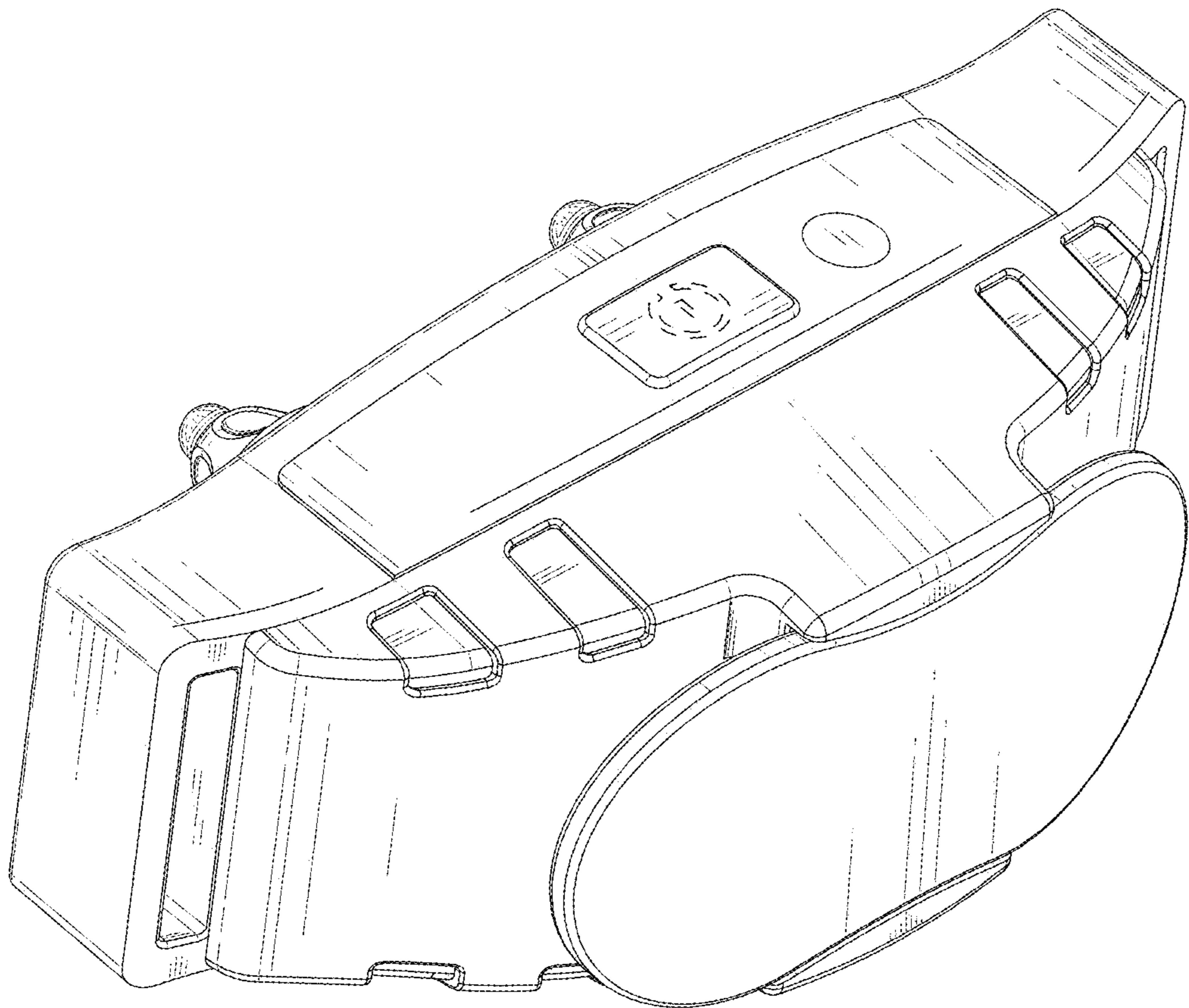


FIG. 1

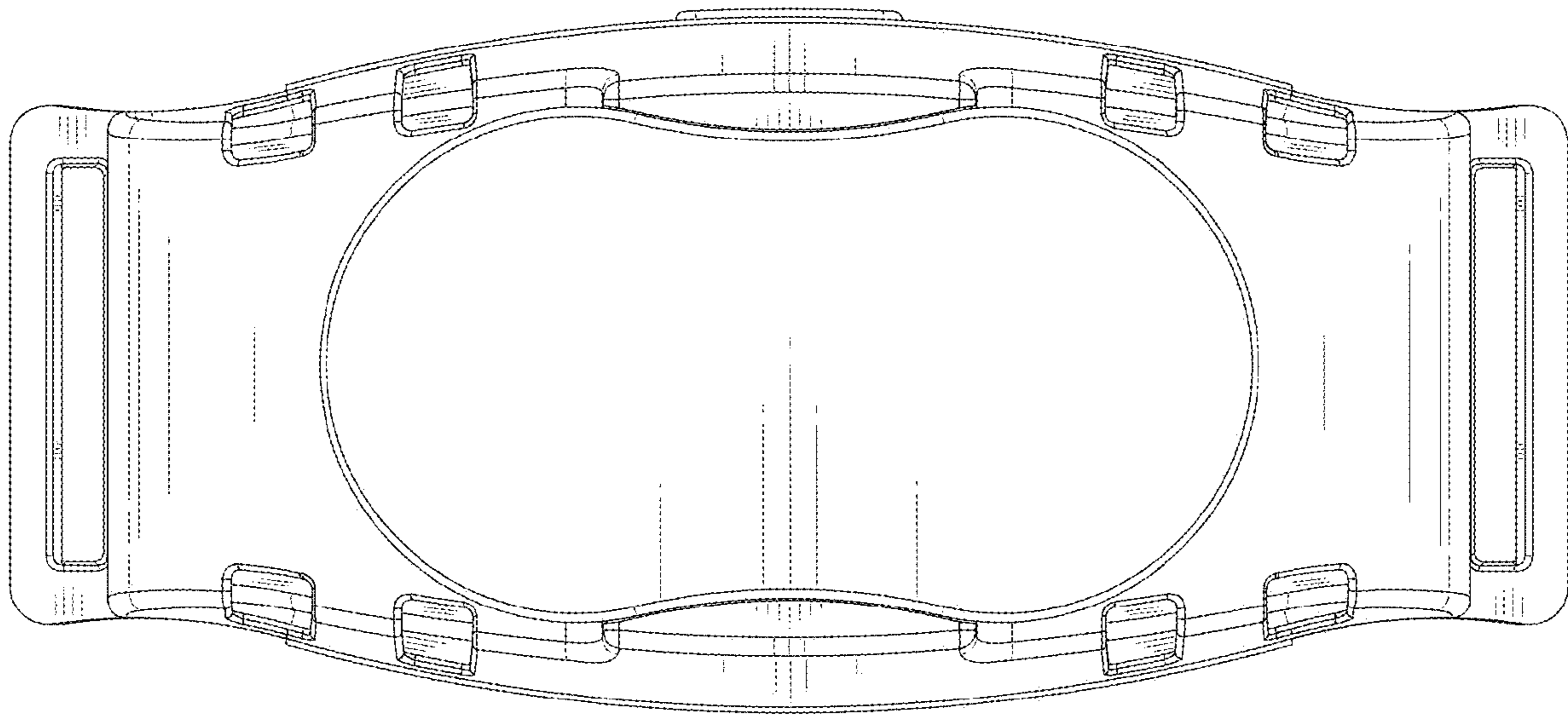


FIG. 2

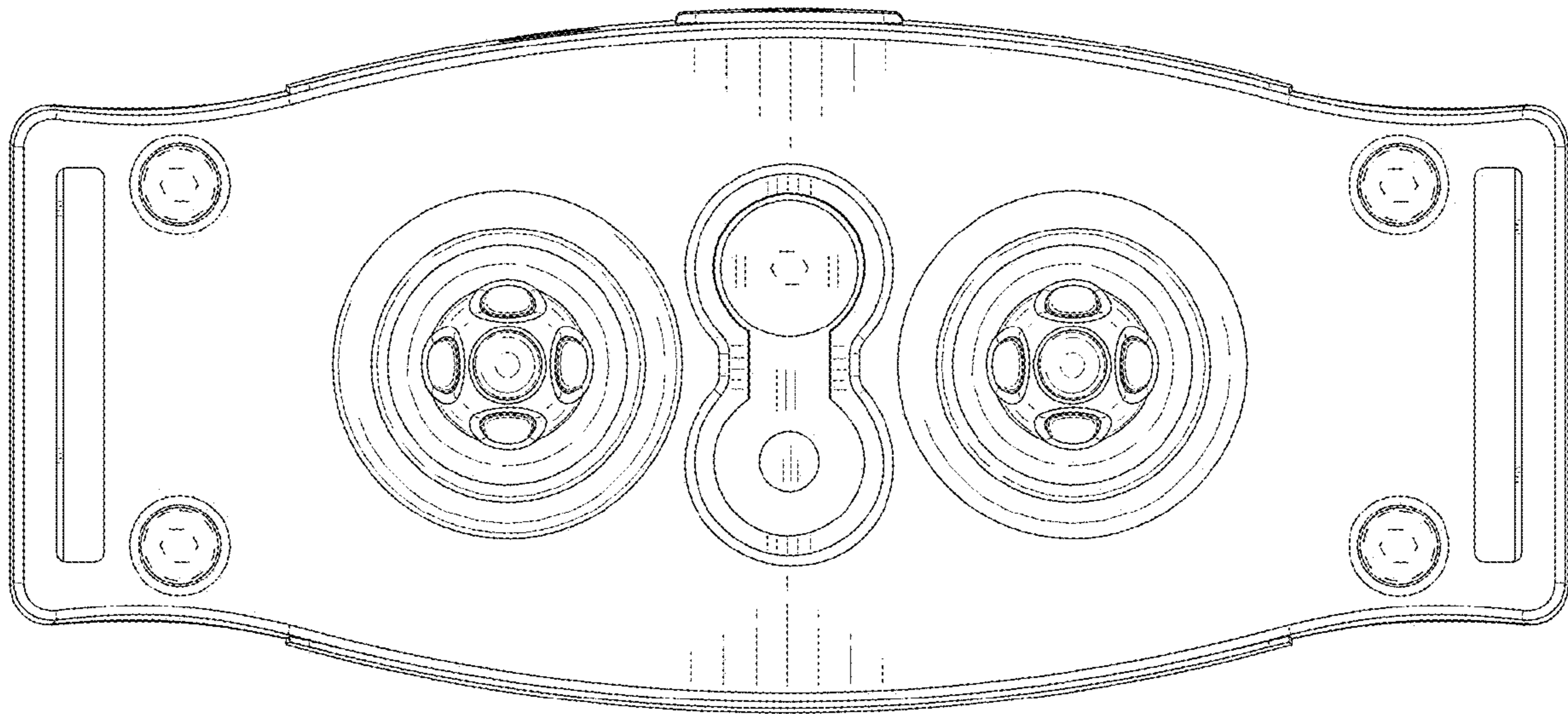


FIG. 3

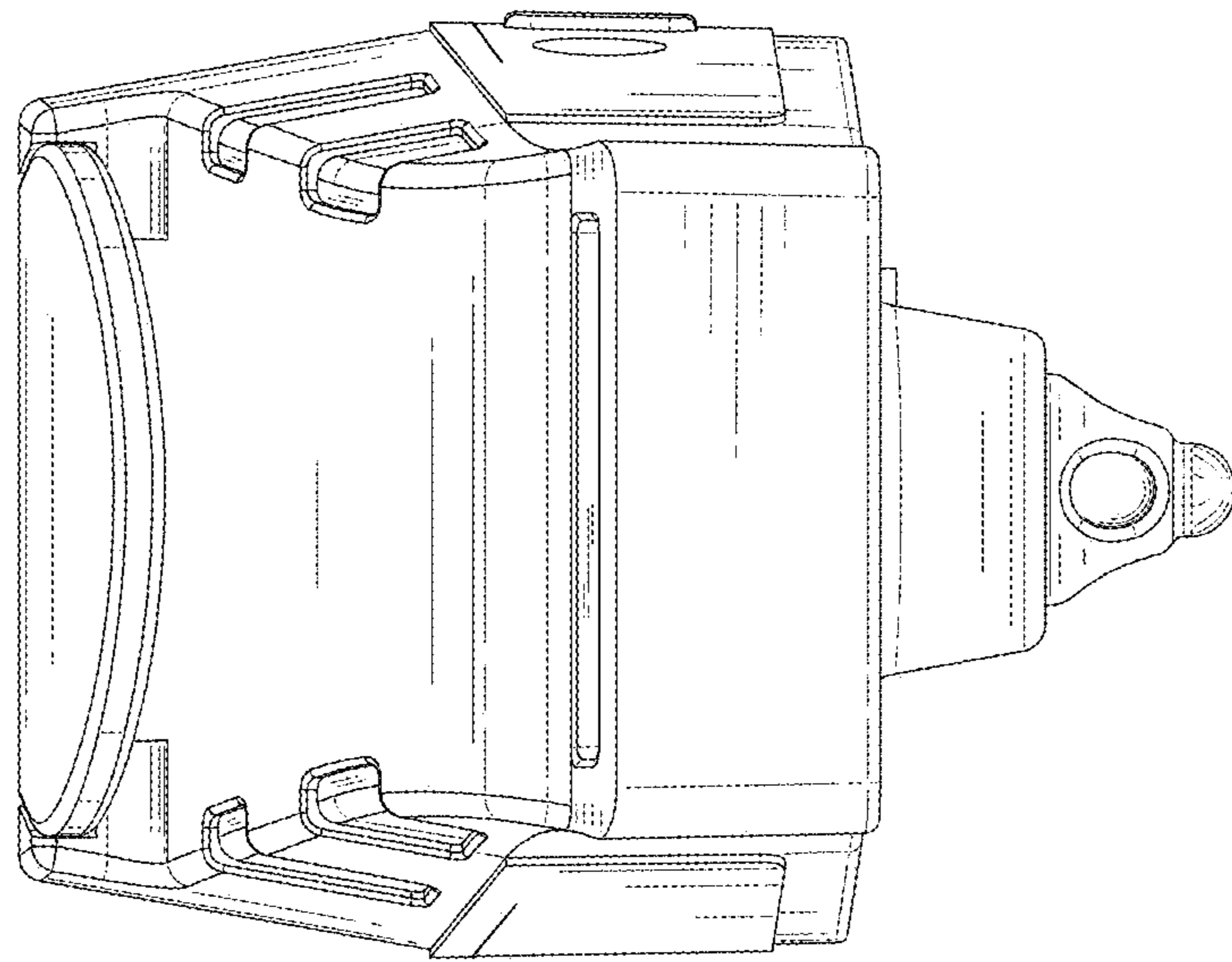


FIG. 4

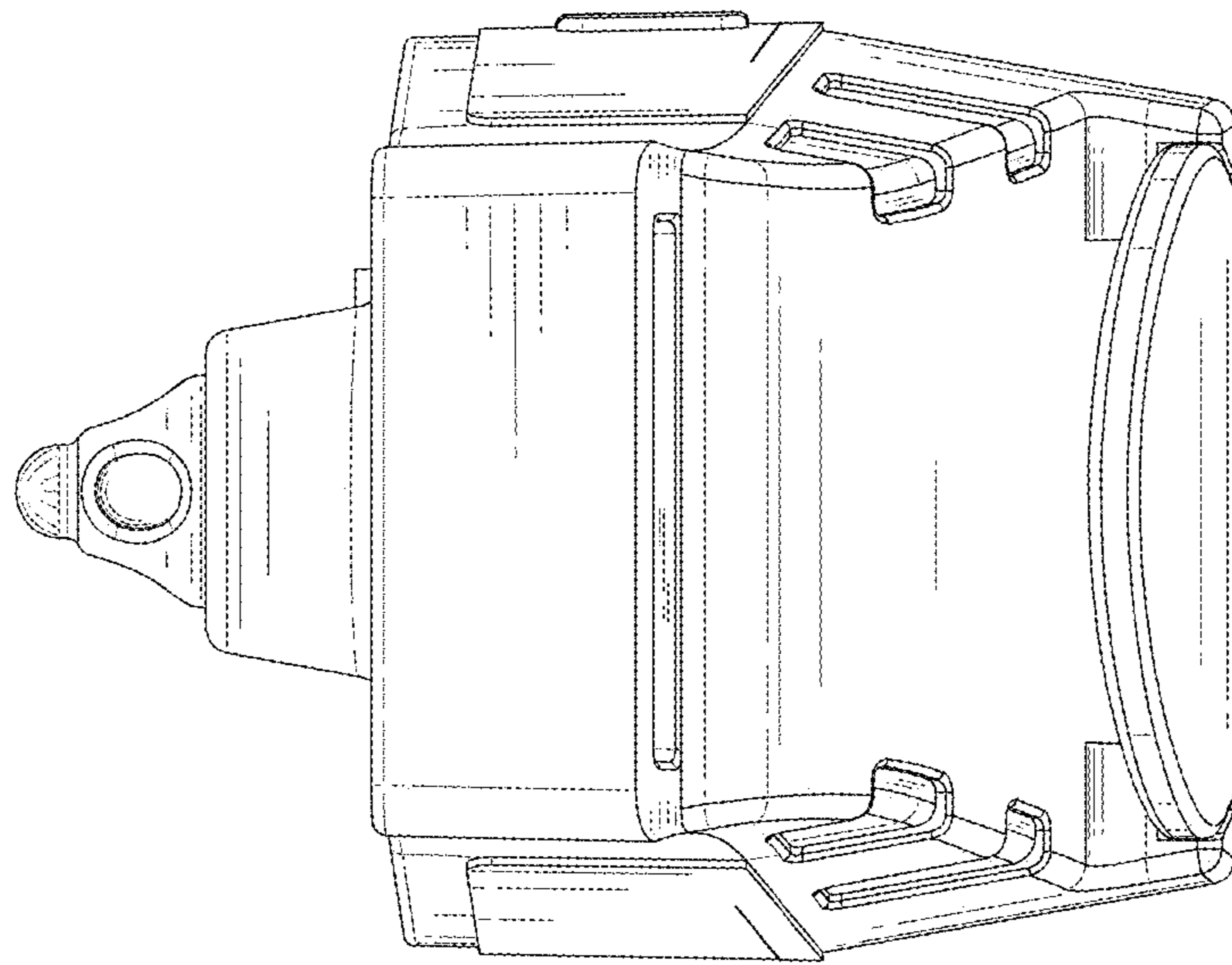


FIG. 5

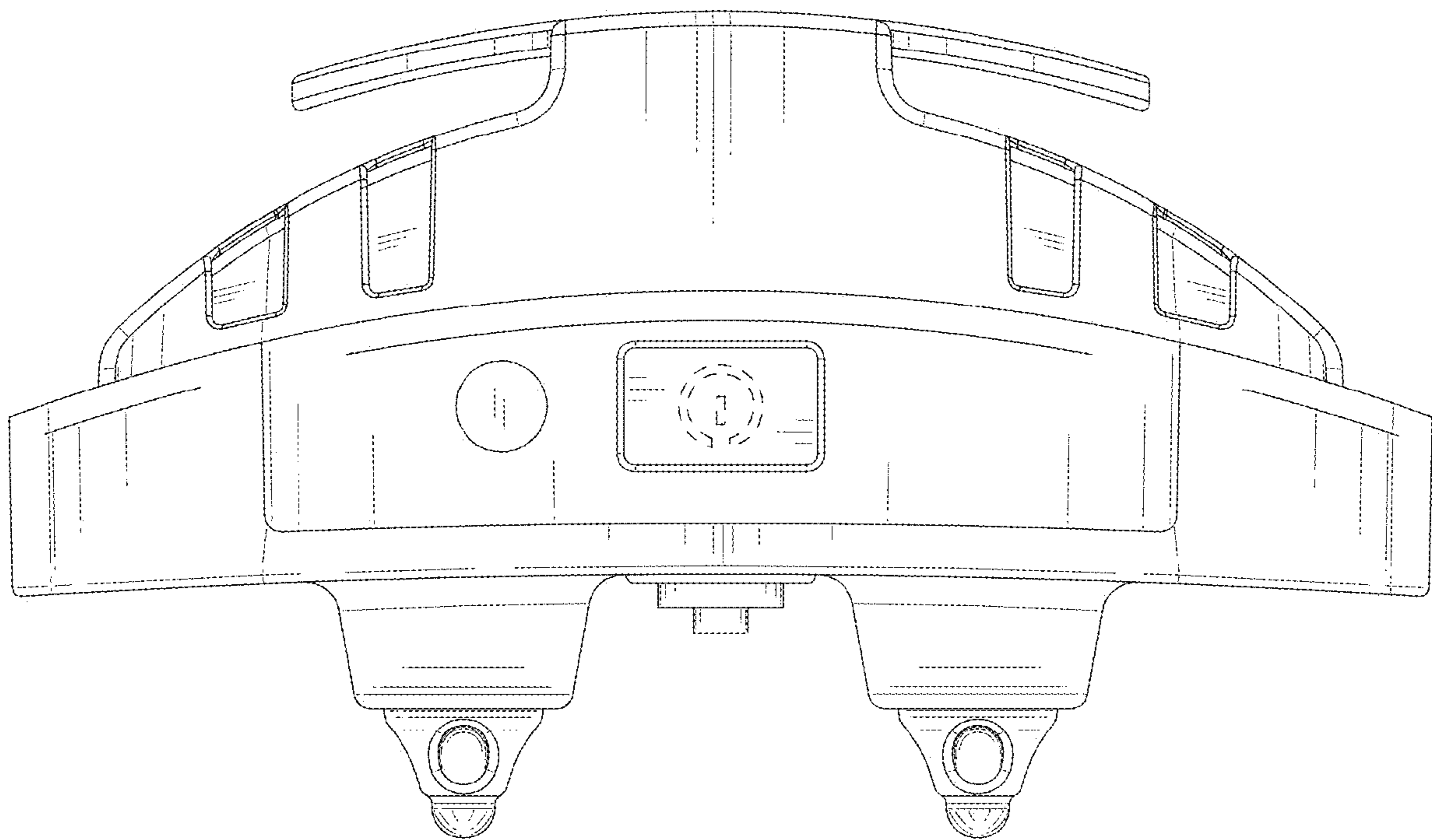


FIG. 6

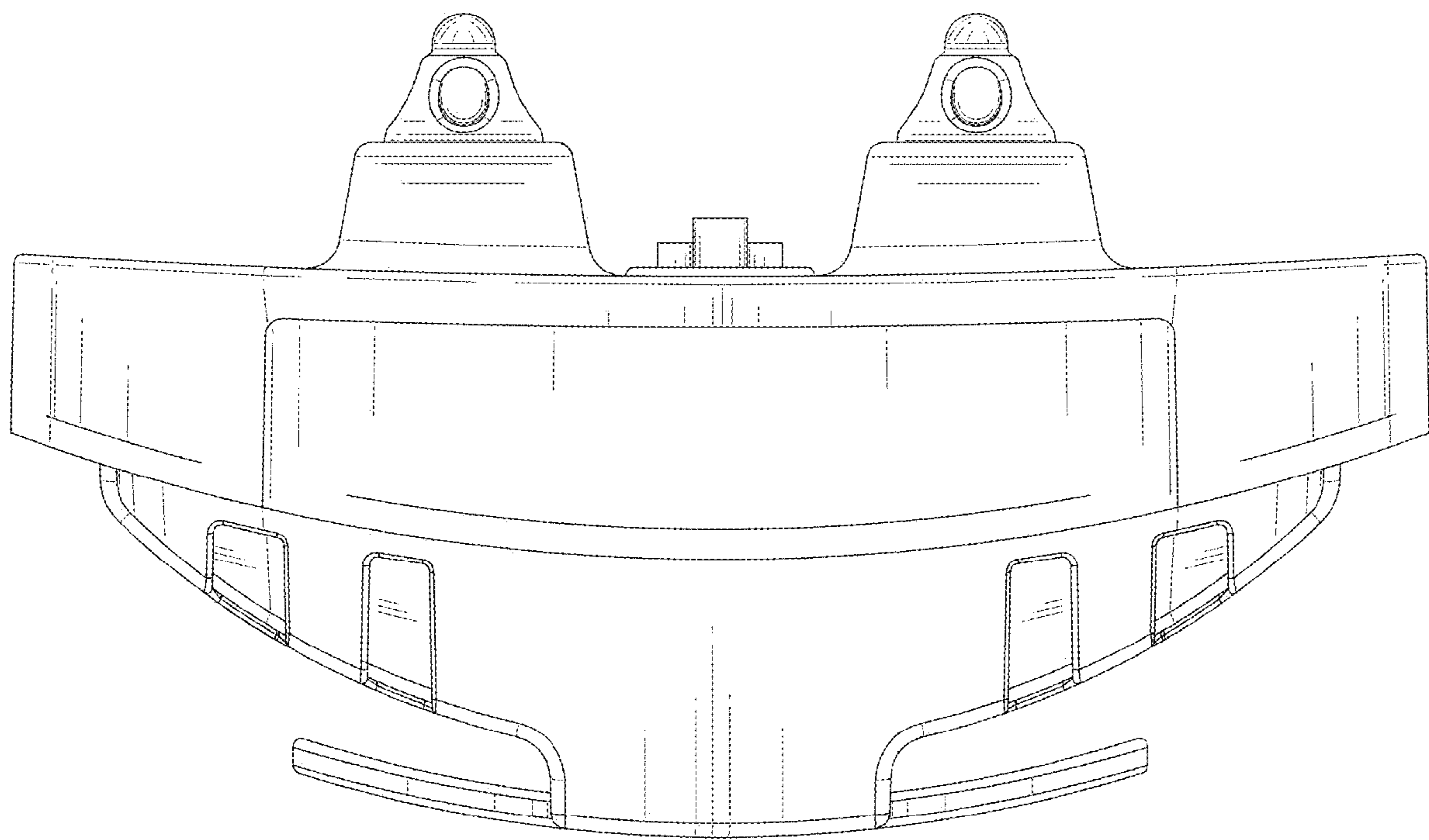


FIG. 7