



US00D965923S

(12) **United States Design Patent**
Liu

(10) **Patent No.:** **US D965,923 S**

(45) **Date of Patent:** **** Oct. 4, 2022**

(54) **DRYING BOX**

(71) Applicant: **SHENZHEN QIANHAI HOMERUN SMART TECHNOLOGY CO., LTD.**, Shenzhen (CN)

(72) Inventor: **Kun Liu**, Shenzhen (CN)

(**) Term: **15 Years**

(21) Appl. No.: **29/743,465**

(22) Filed: **Jul. 22, 2020**

(51) **LOC (13) Cl.** **30-99**

(52) **U.S. Cl.**
USPC **D30/158; D32/1**

(58) **Field of Classification Search**
USPC D32/1, 15, 21; D15/122, 199; D30/108, D30/158, 199
CPC A01K 41/00; A01K 1/0052; A01K 1/0058; A01K 1/0064; A01K 1/0245

See application file for complete search history.

(56) **References Cited**

U.S. PATENT DOCUMENTS

D201,633 S *	7/1965	Little	D32/8
D219,167 S *	11/1970	Rissolo	D32/1
D298,577 S *	11/1988	Faxon	D30/108
D303,442 S *	9/1989	Harrison	D32/1
D334,815 S *	4/1993	Bunger	D8/382
D611,202 S *	3/2010	Jakubowski	D30/108
D639,516 S *	6/2011	Christensen	D30/158
D680,696 S *	4/2013	Hammel	D30/108
D685,139 S *	6/2013	Park	D30/118
D731,449 S *	6/2015	Norman	D13/184
D733,196 S *	6/2015	Wolf	D15/122
D745,903 S *	12/2015	Armani	D6/675
D752,827 S *	3/2016	Colayco	D32/1
D763,330 S *	8/2016	Olivé	D15/135
D763,521 S *	8/2016	Yao	D32/1
D776,174 S *	1/2017	Summit	D15/122
D793,627 S *	8/2017	Spaile	D30/108
D811,669 S *	2/2018	Wills	D30/199

D814,121 S *	3/2018	Kim	D30/108
D826,296 S *	8/2018	Noorazar	D15/122
D879,850 S *	3/2020	Wolf	D15/199
D894,496 S *	8/2020	Hutchinson	D30/108

(Continued)

FOREIGN PATENT DOCUMENTS

CN	304171632	*	6/2017
CN	304994822	*	1/2019
CN	305429314	*	11/2019

OTHER PUBLICATIONS

Drybo Plus: The Automatic Pet Dryer & Smart Bed, available in <https://www.indiegogo.com>, announced Oct. 15, 2021 [online], [site visited Apr. 21, 2022], Internet URL: <https://www.indiegogo.com/projects/drybo-plus-the-automatic-pet-dryer-smart-bed/> (Year: 2021).*

(Continued)

Primary Examiner — Shannon W Morgan
Assistant Examiner — Jennylou M Binas

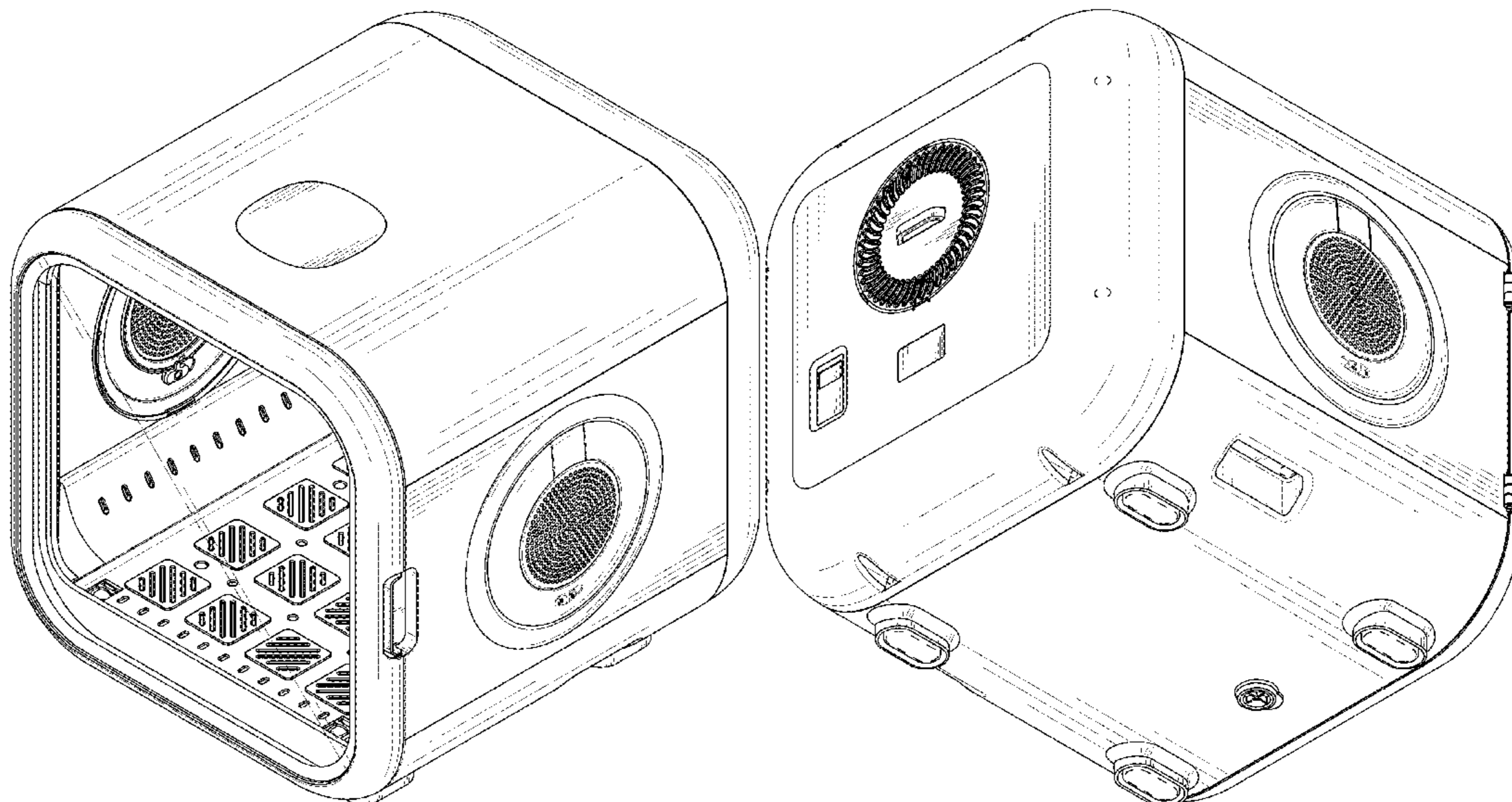
(57) **CLAIM**

The ornamental design for a drying box, as shown and described.

DESCRIPTION

FIG. 1 is a perspective view of a drying box showing my new design;
FIG. 2 is another perspective view thereof;
FIG. 3 is a front view thereof;
FIG. 4 is a rear view thereof;
FIG. 5 is a left side view thereof;
FIG. 6 is a right side view thereof;
FIG. 7 is a top plan view thereof; and,
FIG. 8 is a bottom plan, view thereof.
The broken lines in the figures illustrate portions of the drying box, that form no part of the claimed design.

1 Claim, 8 Drawing Sheets



(56)

References Cited

U.S. PATENT DOCUMENTS

D924,292 S *	7/2021	Wei	D15/199
D931,924 S *	9/2021	Huang	D15/199
D932,119 S *	9/2021	Chang	D32/1
D936,302 S *	11/2021	Gong	D30/158
D939,005 S *	12/2021	Huang	D15/199
D952,270 S *	5/2022	Kang	D30/158
2020/0100465 A1 *	4/2020	Kim	A01K 13/001
2021/0120778 A1 *	4/2021	Prehogan	A01K 1/0245

OTHER PUBLICATIONS

Homerun Pet Spa/Pet Dryer Room, available in <https://www.lazada.sg>, customer review oldest date Jul. 4, 2021 [online], [site visited Apr. 21, 2022], Available from the internet URL: <https://www.lazada.sg/products/homerun-39-ultra-comfort-pet-spa-pet-dryer-room-12-months-warranty-i1805449850-s9525803477.html> (Year: 2021).*

No more kittens frightened by the hairdryer thanks to this Xiaomi

YouPin gadget, announced May 2, 2021, available in <https://en.gizchina.it> [online], [site visited Apr. 21, 2022, Internet URL: <https://en.gizchina.it/2021/02/pet-dryer-cat-dog-xiaomi-youpin-price/> (Year: 2021).*

Xiaomi Youpin crowdfunds cool new product that lets you dry your pets hassle free, announced Jul. 13, 2021, available in <https://en.gizchina.it> [online], [site visited Apr. 21, 2022, Internet URL: <https://www.gizmochina.com/2021/07/13/xiaomi-youpin-crowdfund-hassle-free-pet-dryer/> (Year: 2021).*

PESLIVE Pet Hair Dryer Box, available in Amazon.com, date first available Aug. 25, 2021 [online], [site visited Apr. 21, 2022], Available from the internet URL: https://www.amazon.com/PESLIVE-Adjustable-Temperature-Bottom-up-Pomeranian/dp/B09DK7VHL4/ref=pd_sbs_1_sccl_2/145-4924889-8777608 (Year: 2021).*

ZRXRY Pet Drying Box, available in Amazon.ca, date first available Sep. 16, 2021 [online], [site visited Apr. 21, 2022], Available from the internet URL: https://www.amazon.ca/Capacity-Automatically-Intelligent-Temperature-Full-Bottom/dp/B09GG3YL8T/ref=sr_1_10 (Year: 2022).*

* cited by examiner

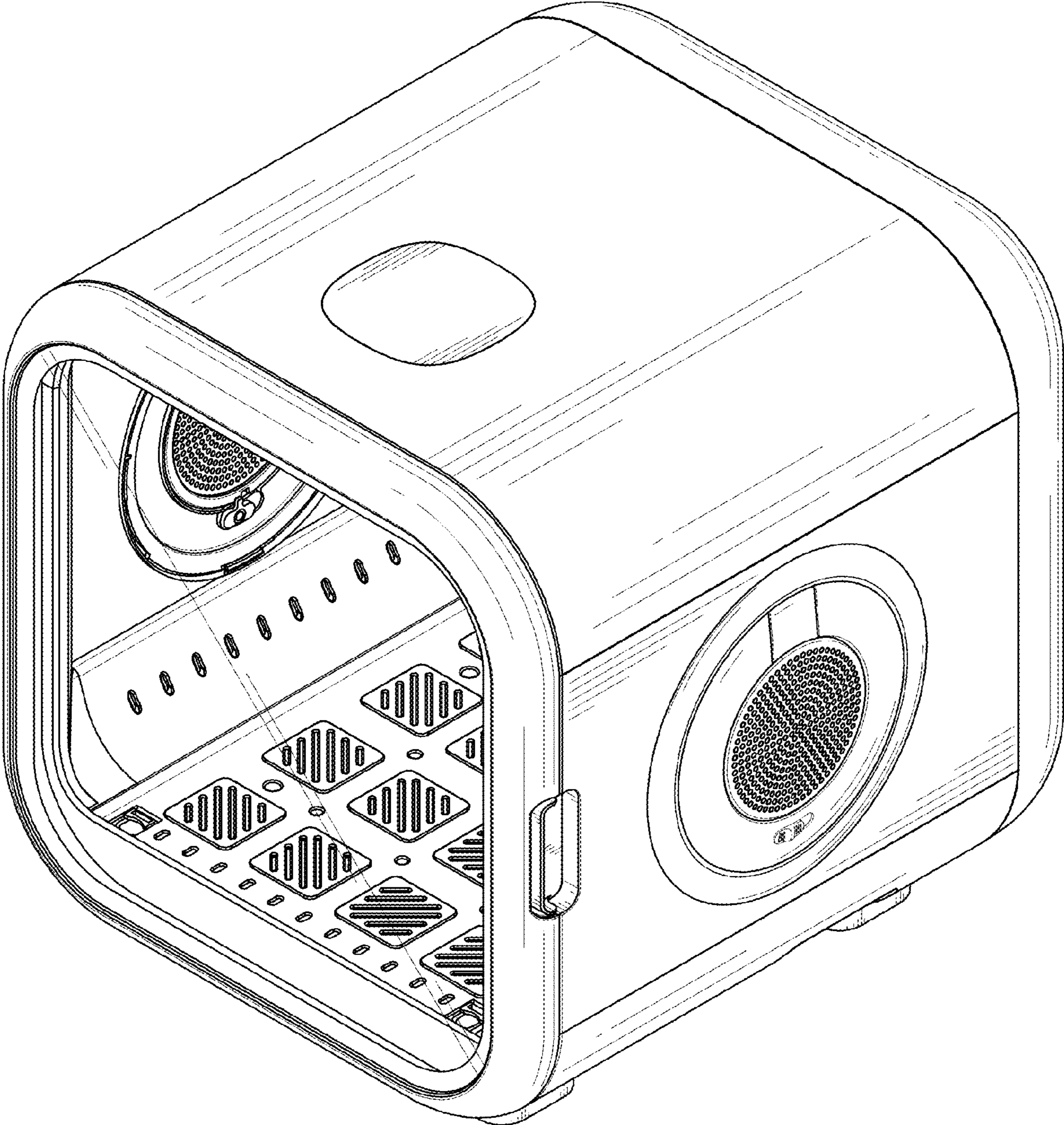


FIG. 1

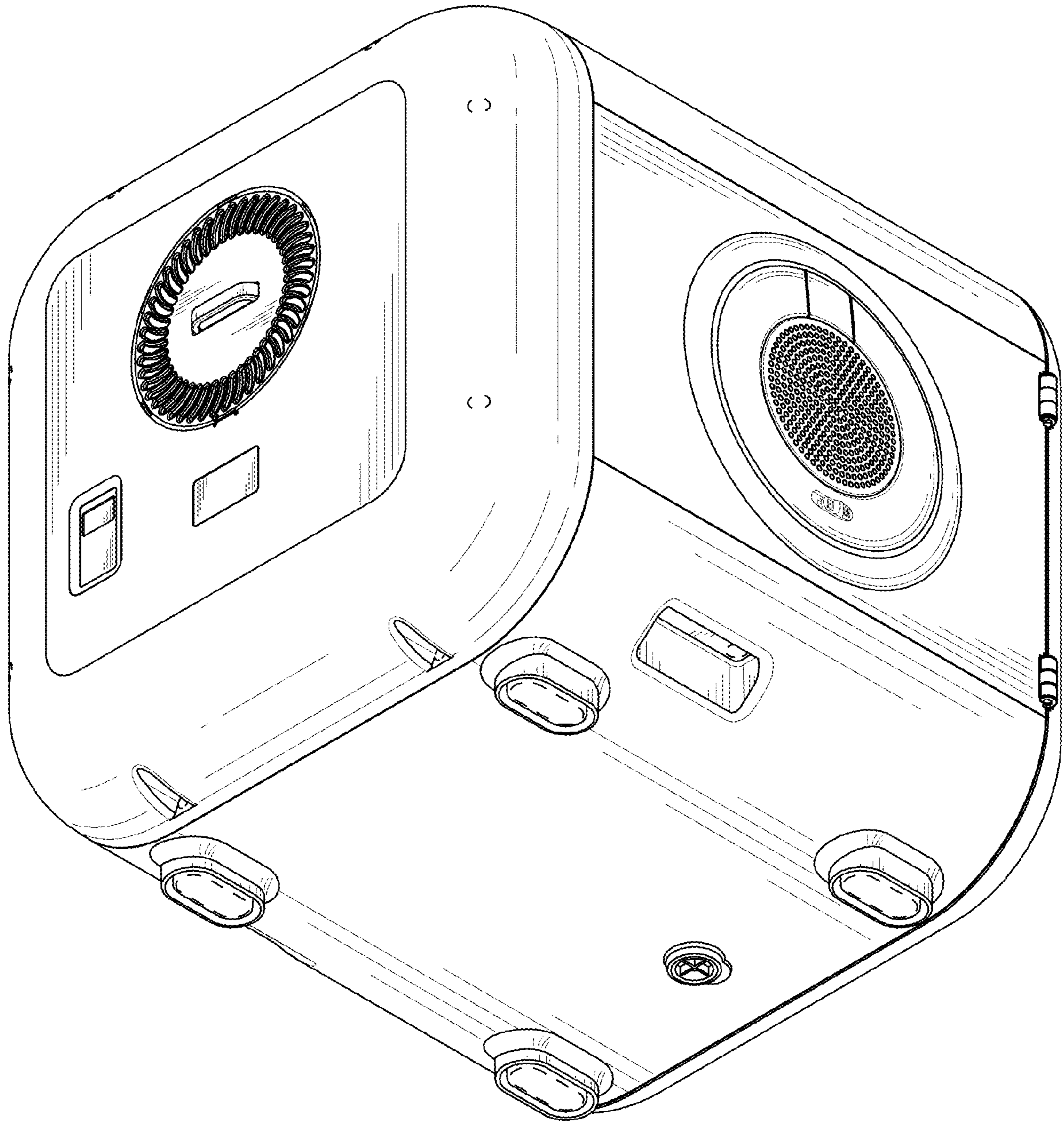


FIG. 2

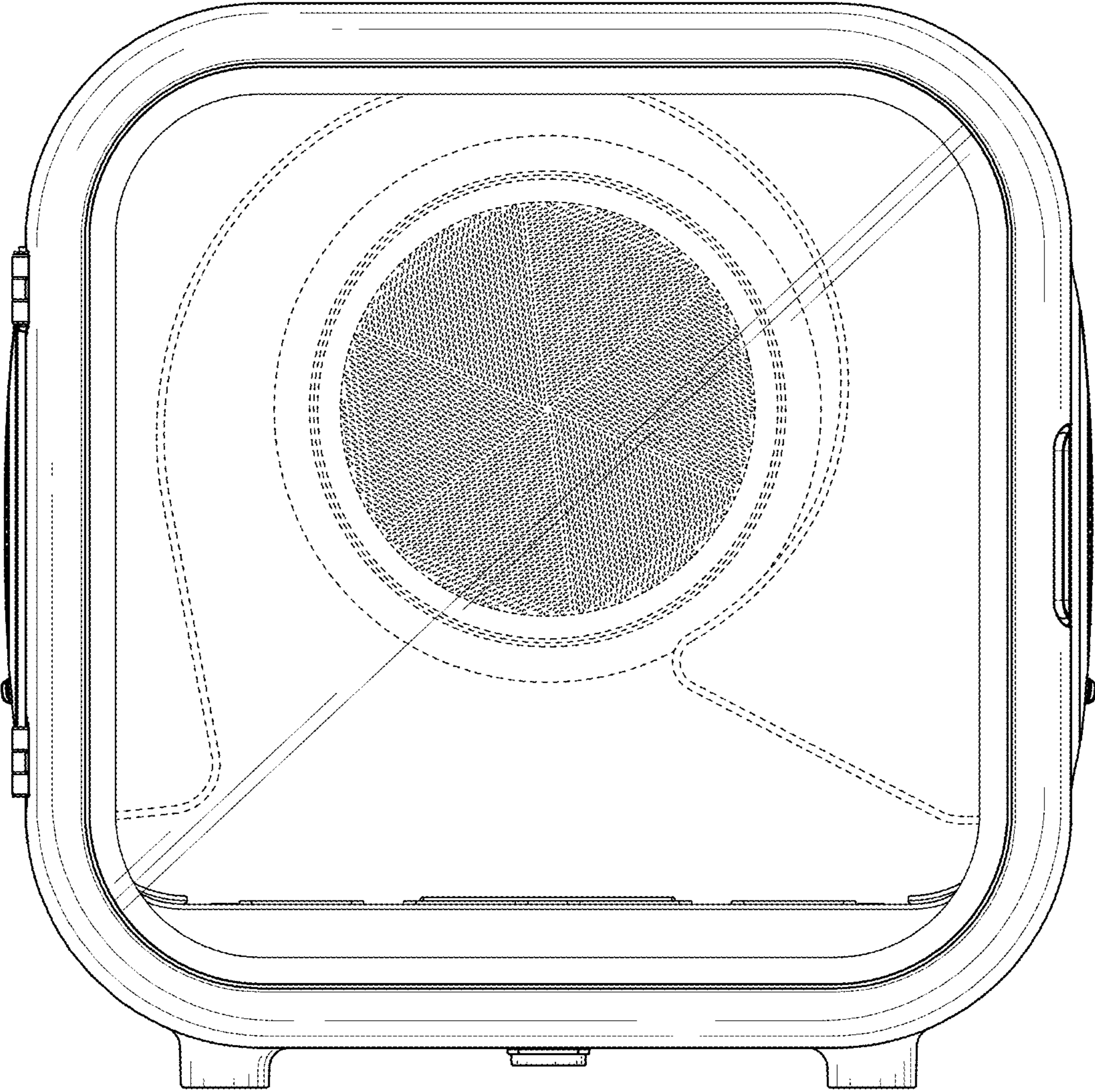


FIG. 3

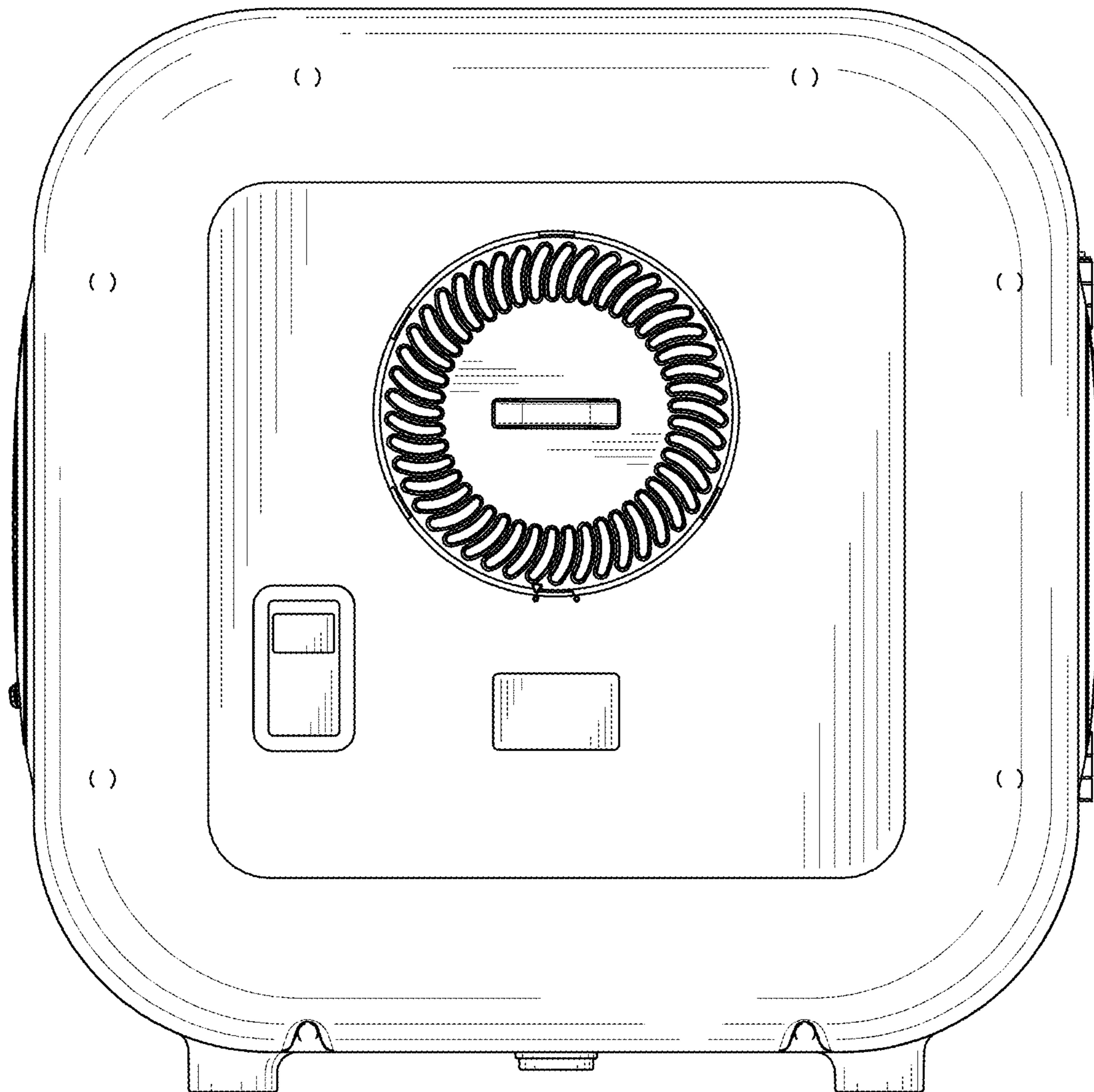


FIG. 4

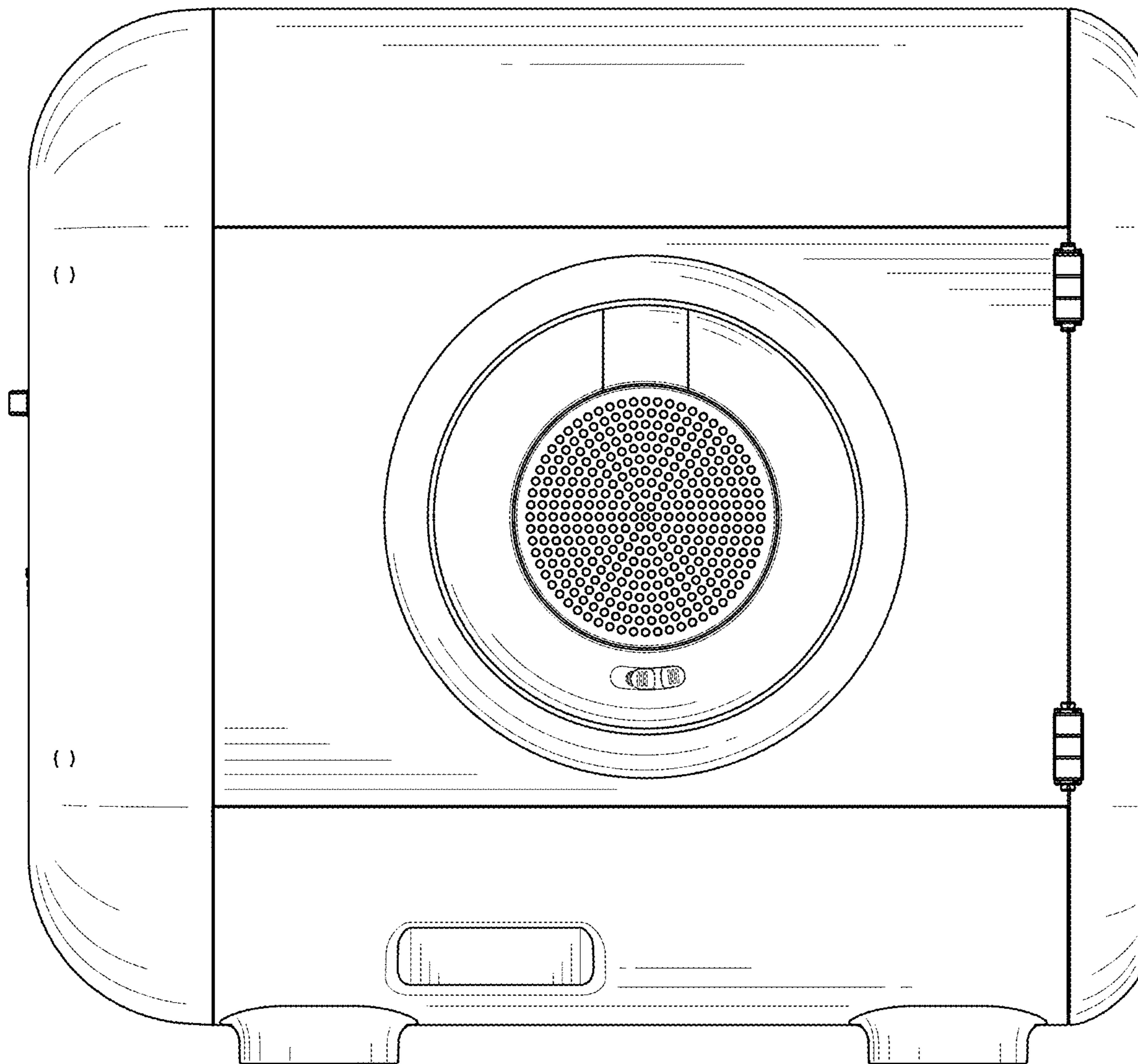


FIG. 5

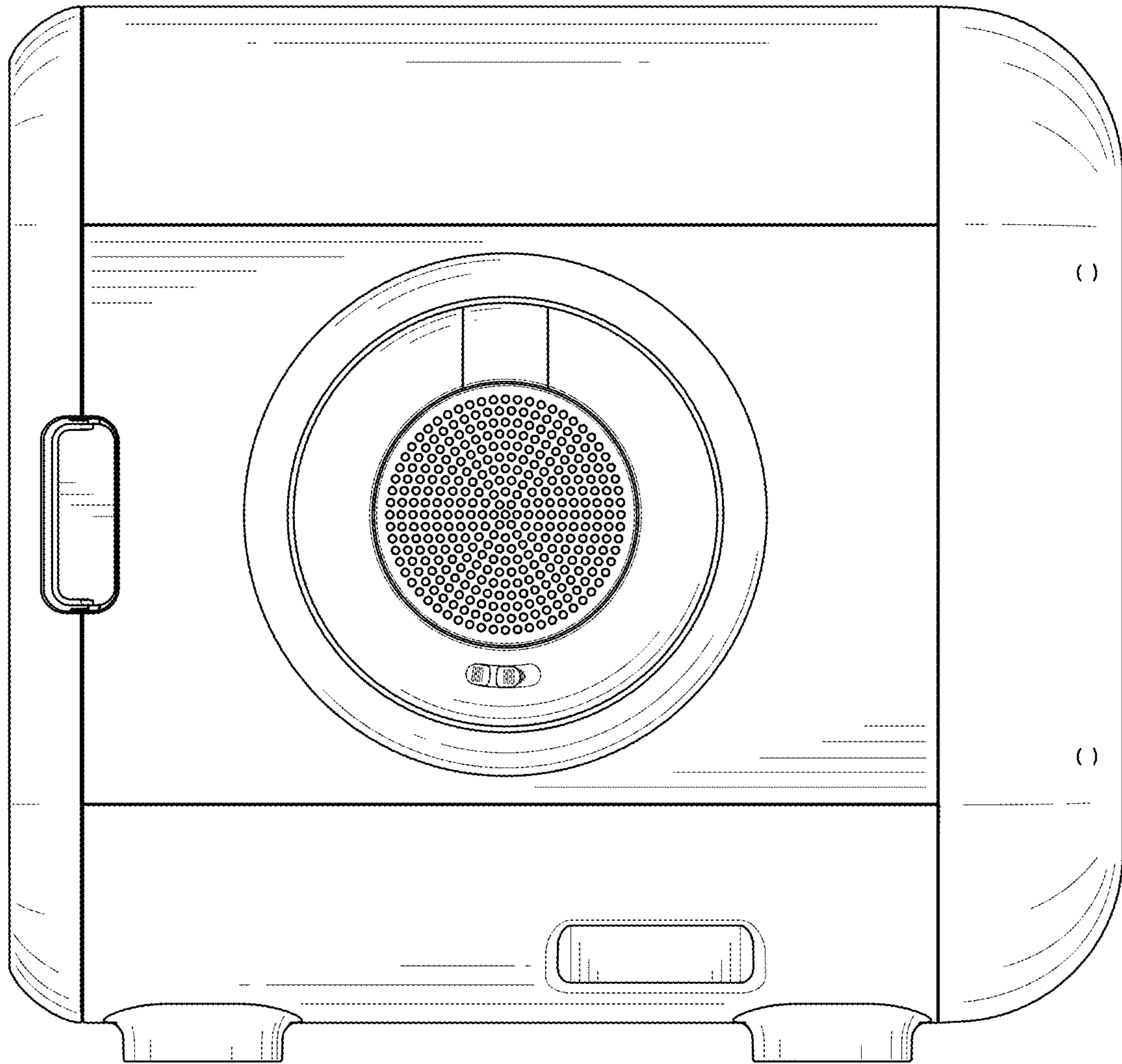


FIG. 6

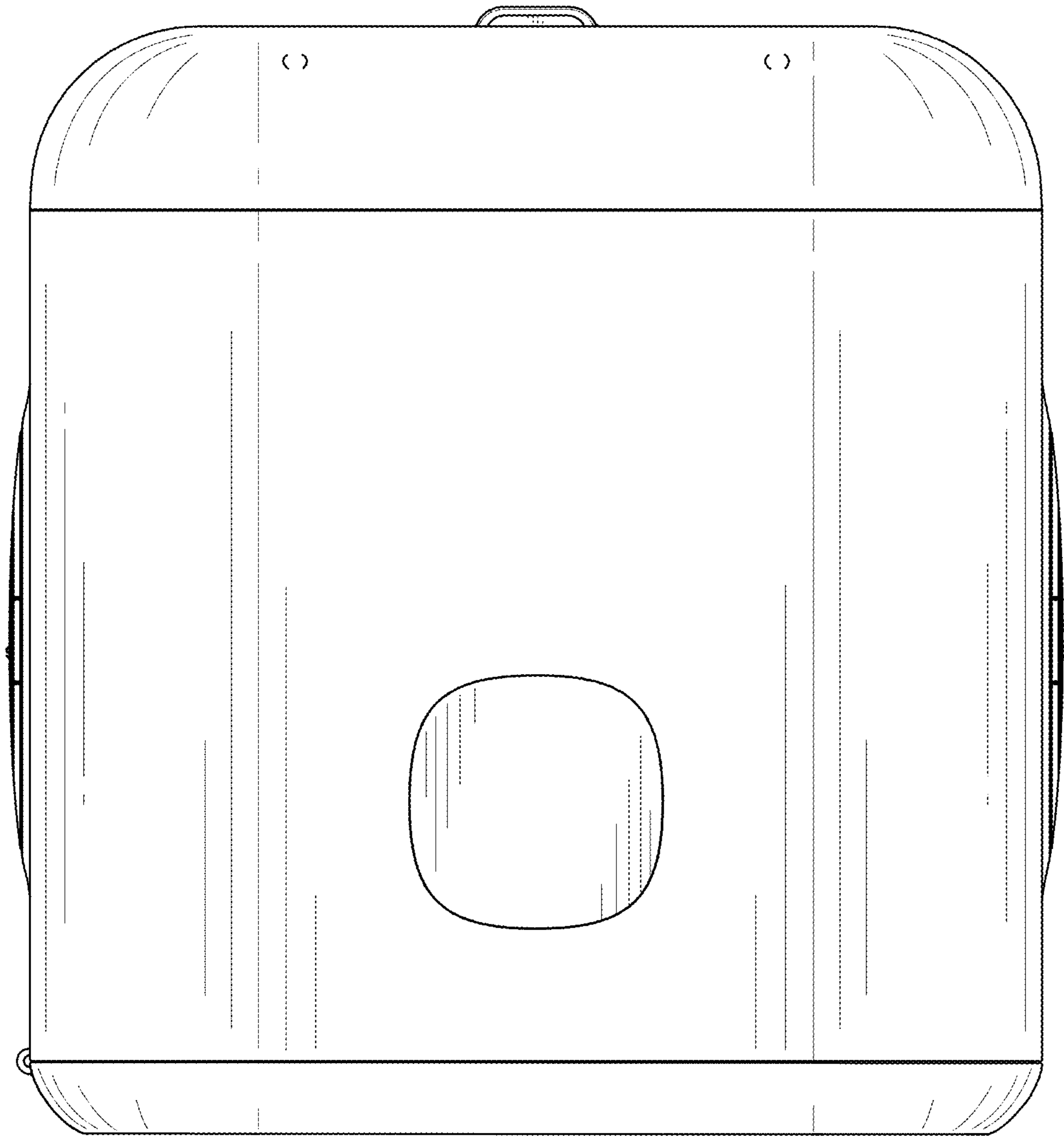


FIG. 7

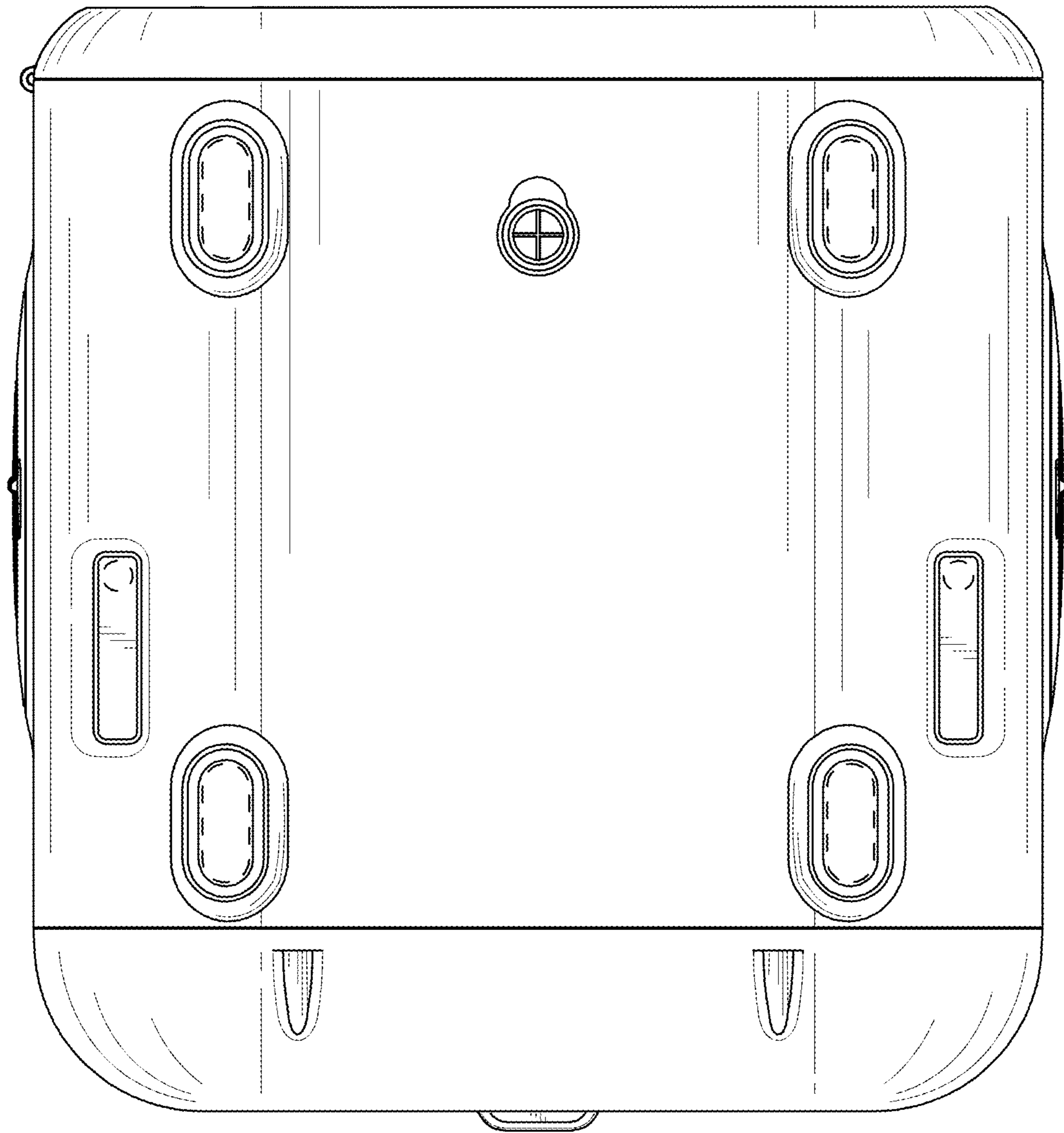


FIG. 8