



US00D965921S

(12) **United States Design Patent** (10) **Patent No.:** **US D965,921 S**
Gong (45) **Date of Patent:** **** Oct. 4, 2022**

(54) **PET WATER FOUNTAIN**

FOREIGN PATENT DOCUMENTS

(71) Applicant: **Yangzhou Xiaoyi Intelligent Technology Co., Ltd**, Yangzhou (CN)

GB 6149388 * 7/2021

(72) Inventor: **Yuan Gong**, Yangzhou (CN)

OTHER PUBLICATIONS

(**) Term: **15 Years**

“Petlibro Cat Water Fountain” available Apr. 21, 2021, [online], [site visited Jun. 1, 2022]. Retrieved from Internet, URL:https://www.amazon.com/dp/B0932WNZL2 (Year: 2021).*

(21) Appl. No.: **29/796,840**

* cited by examiner

(22) Filed: **Jun. 28, 2021**

(51) **LOC (13) Cl.** **30-03**

Primary Examiner — W. A. Teddy Falloway

(52) **U.S. Cl.**

Assistant Examiner — Katrina N Gonzalez

USPC **D30/132**

(74) *Attorney, Agent, or Firm* — Rumit Ranjit Kanakia

(58) **Field of Classification Search**

USPC D30/121, 122, 124–126, 128, 129–133, D30/199; 119/51.01, 51.02, 51.11, 51.5, 119/57.92, 61.5, 61.52, 61.54, 61.55, 119/61.56, 61, 57, 72, 73, 74, 75, 78

(57) **CLAIM**

CPC A01K 5/00; A01K 5/0114; A01K 5/0121; A01K 5/0135; A01K 7/005; A01K 7/00; A01K 39/02; A01K 39/04; A01K 39/0213

I claim the ornamental design for a pet water fountain, as shown and described.

See application file for complete search history.

DESCRIPTION

(56) **References Cited**

U.S. PATENT DOCUMENTS

D689,245 S	9/2013	Rowe et al.	
D694,477 S	11/2013	Rowe et al.	
D820,533 S	6/2018	Huang	
D849,336 S	5/2019	Huang	
D849,337 S	5/2019	Huang	
D894,500 S	8/2020	Cui	
D922,696 S *	6/2021	Feng	D30/132
D948,134 S *	4/2022	Tu	D30/132
2009/0266302 A1 *	10/2009	Duval	A01K 7/005 248/228.7
2014/0102374 A1 *	4/2014	Lipscomb	A01K 7/00 119/74

FIG. 1 is a Perspective view of a pet water fountain showing my new design;

FIG. 2 is a Bottom Perspective view thereof;

FIG. 3 is a Front view thereof;

FIG. 4 is a Back view thereof;

FIG. 5 is a Left-side view thereof;

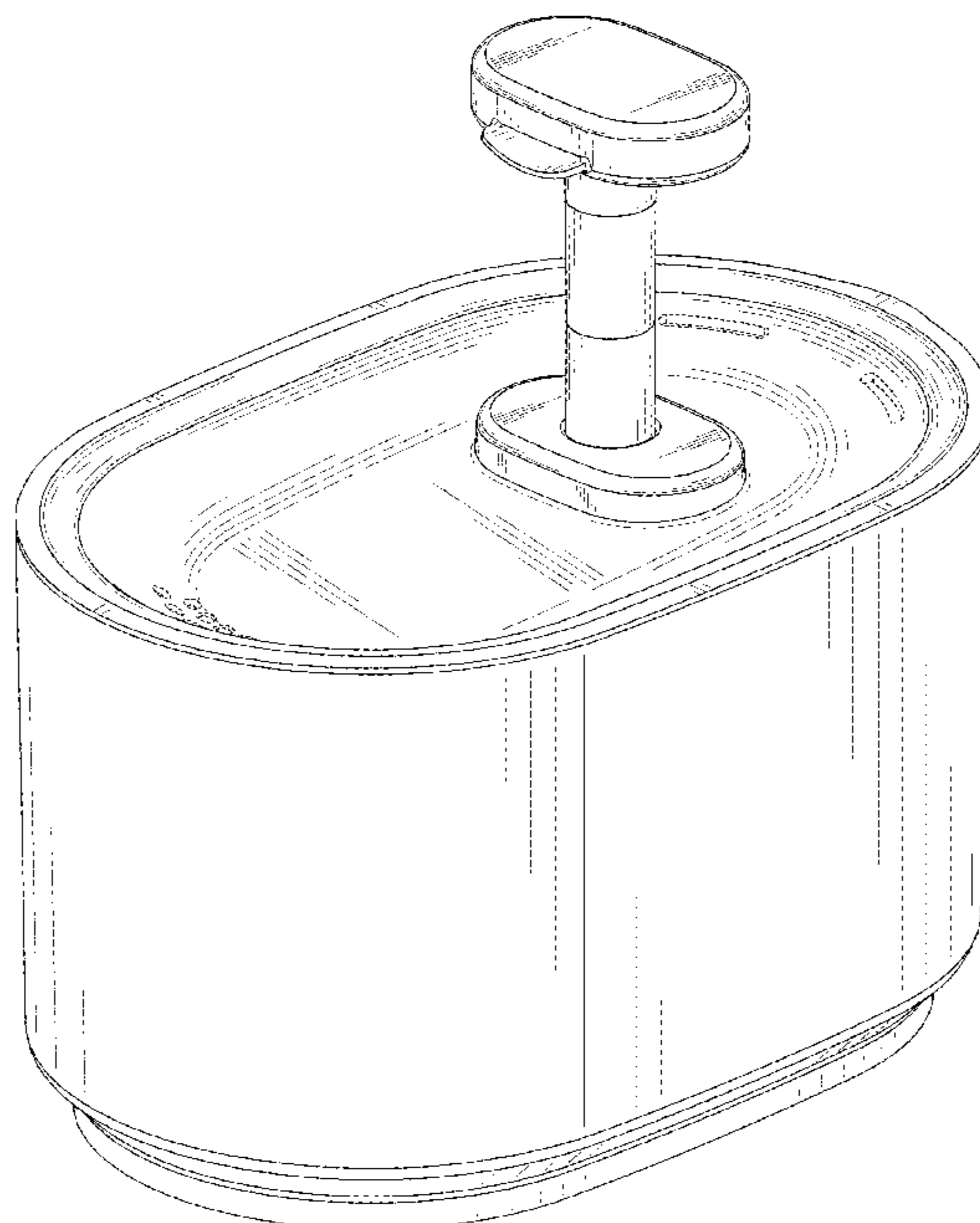
FIG. 6 is a Right-side view thereof;

FIG. 7 is a Top view thereof; and,

FIG. 8 is a Bottom view thereof.

The broken lines in the drawings depict portions of the pet water fountain that form no part of the claimed design.

1 Claim, 8 Drawing Sheets



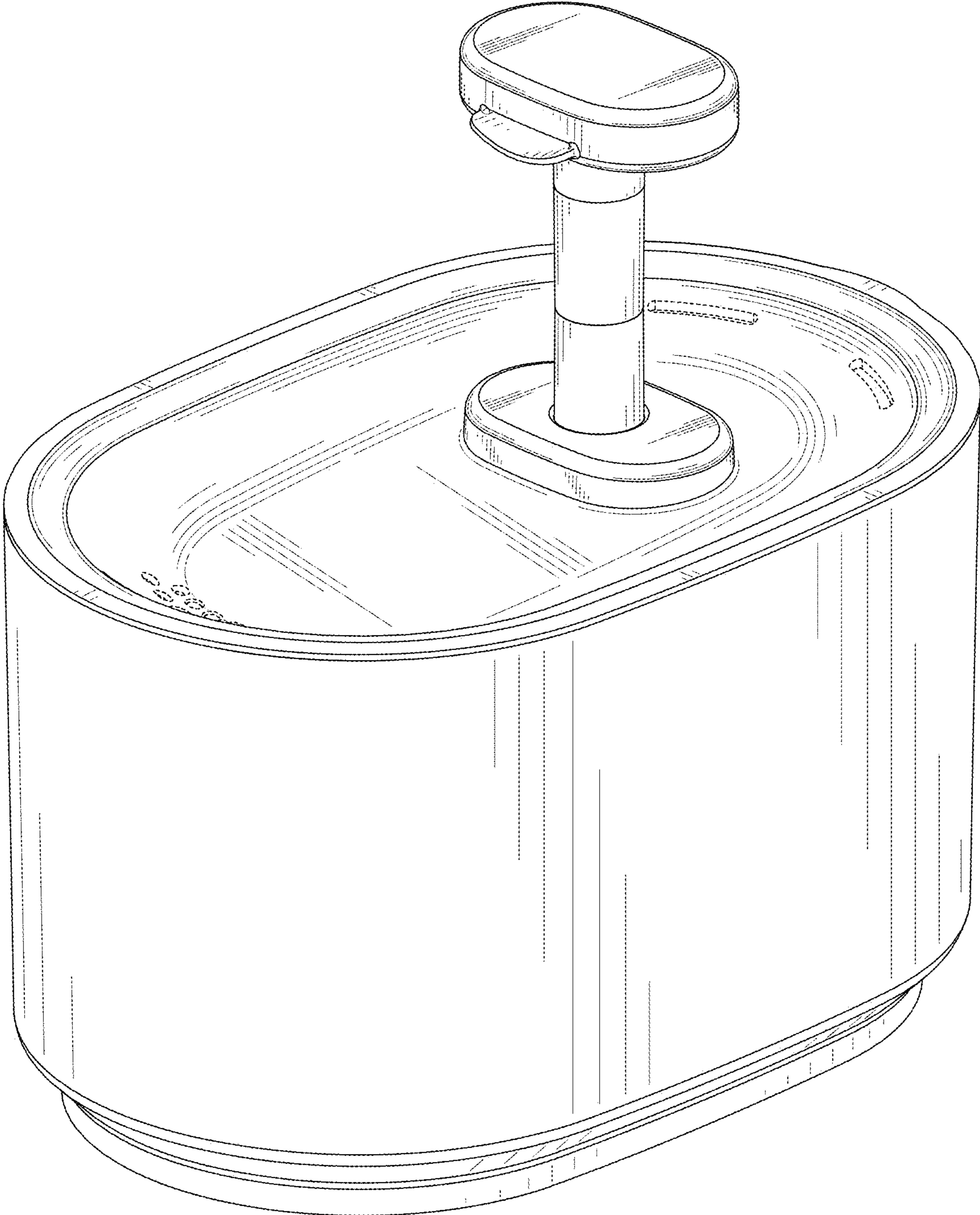


FIG. 1

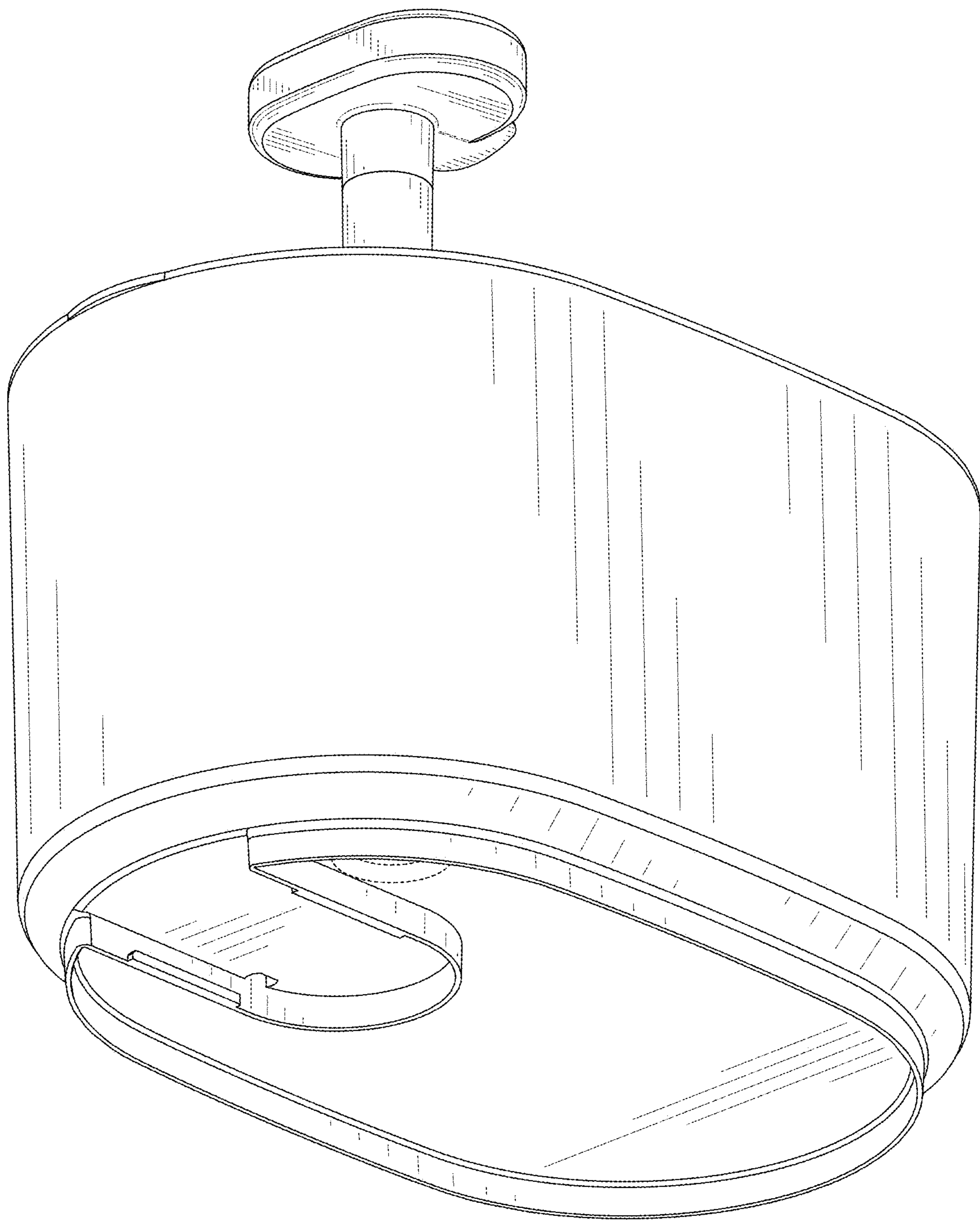


FIG. 2

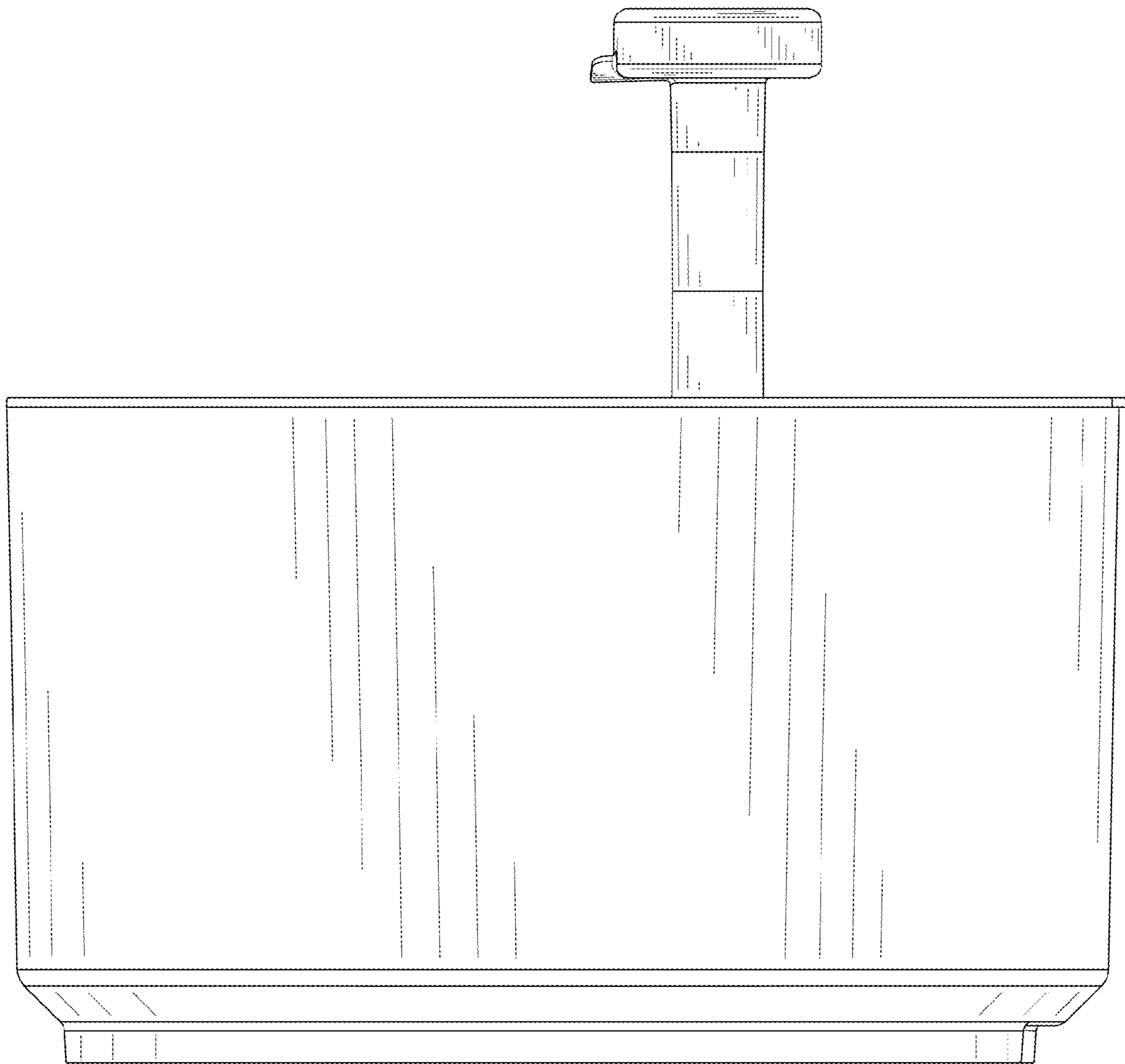


FIG. 3

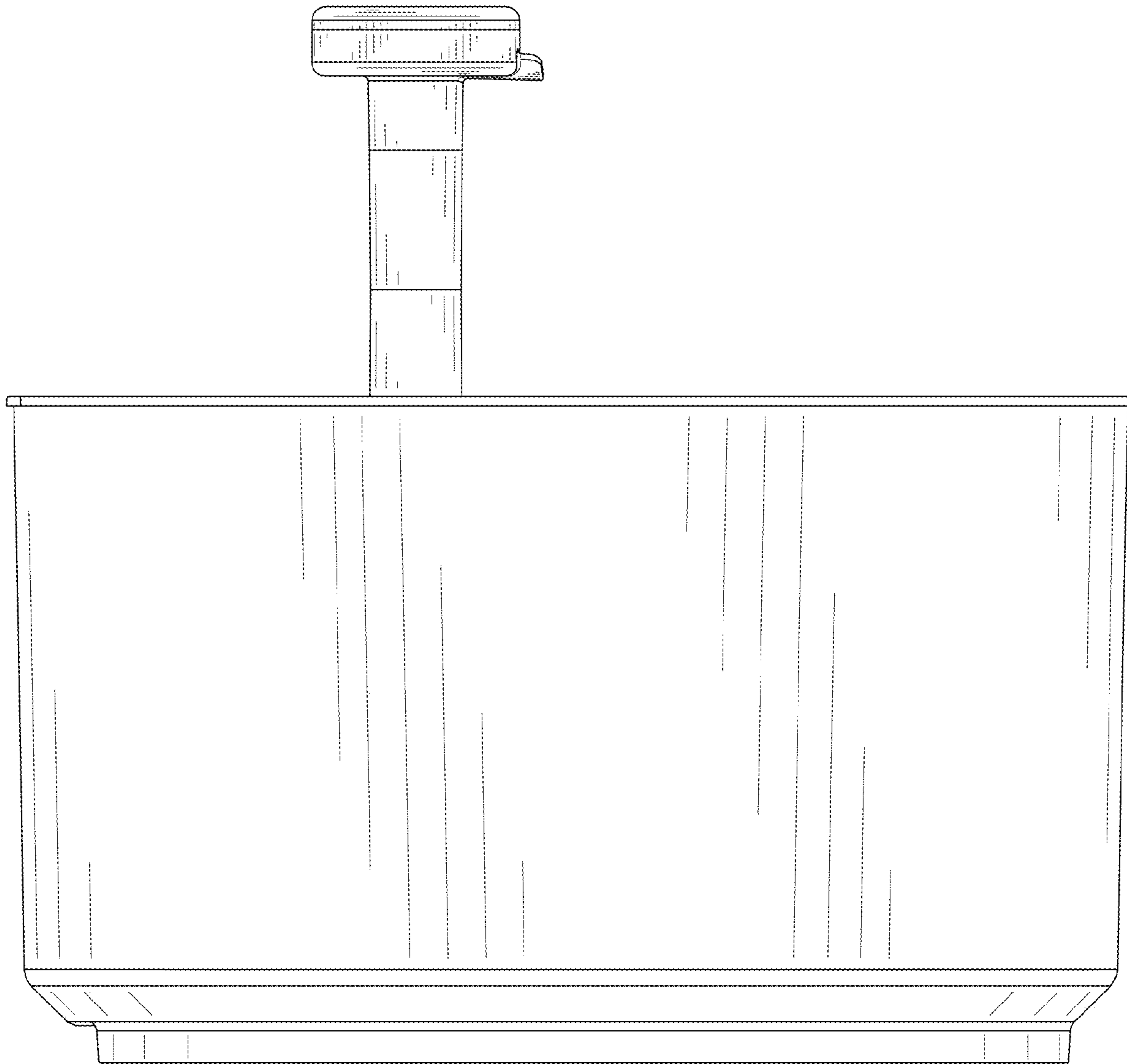


FIG. 4

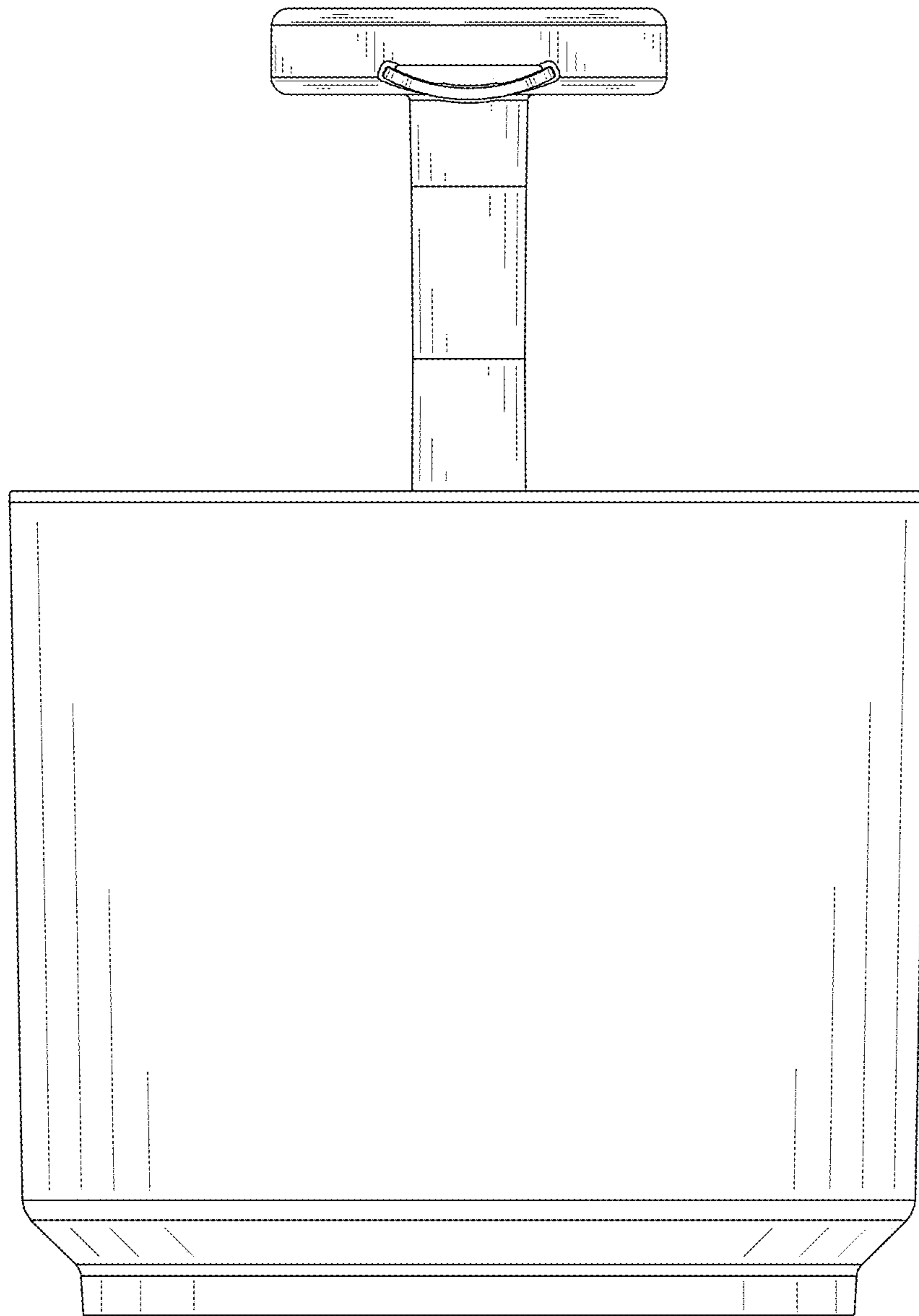


FIG. 5

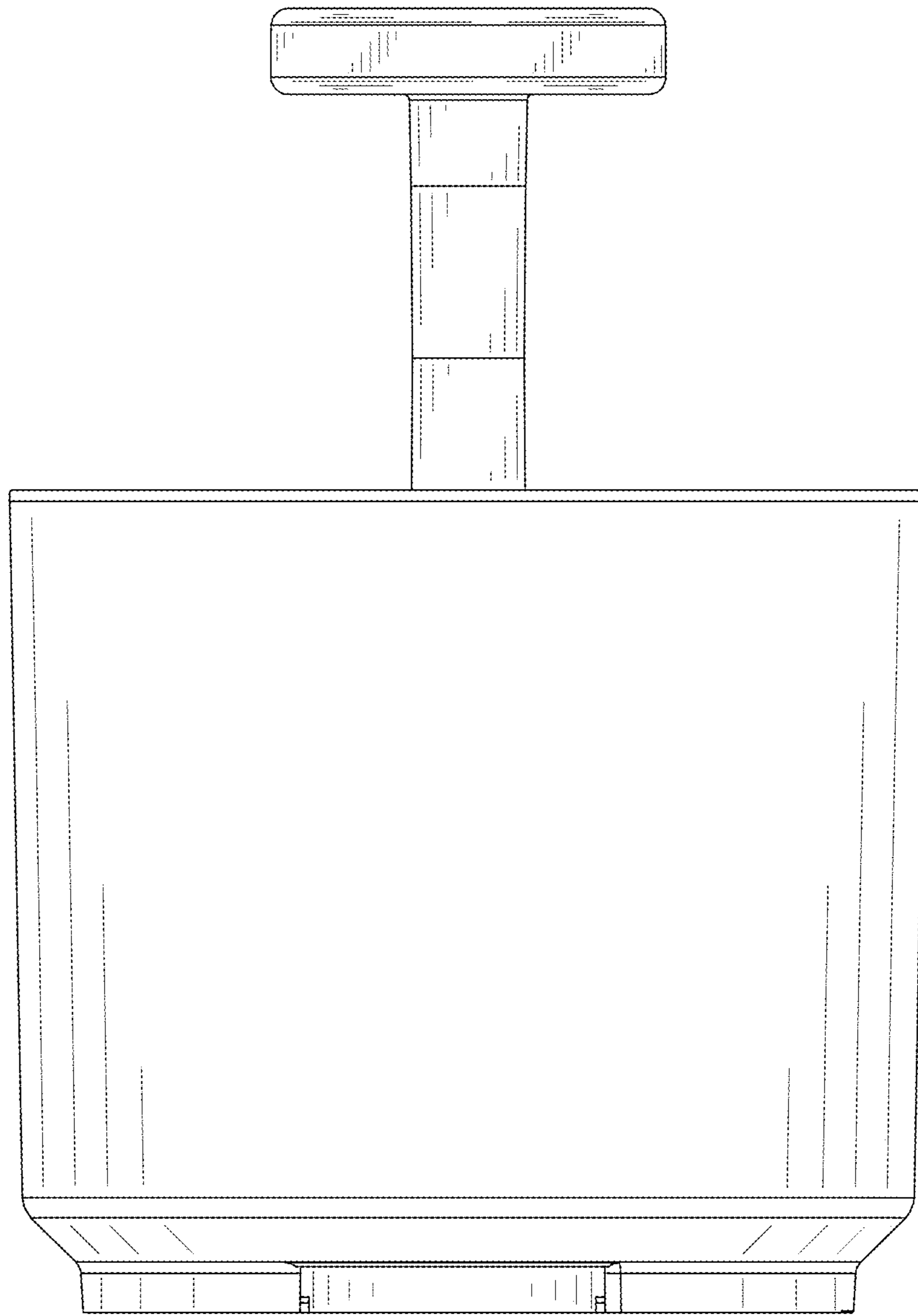


FIG. 6

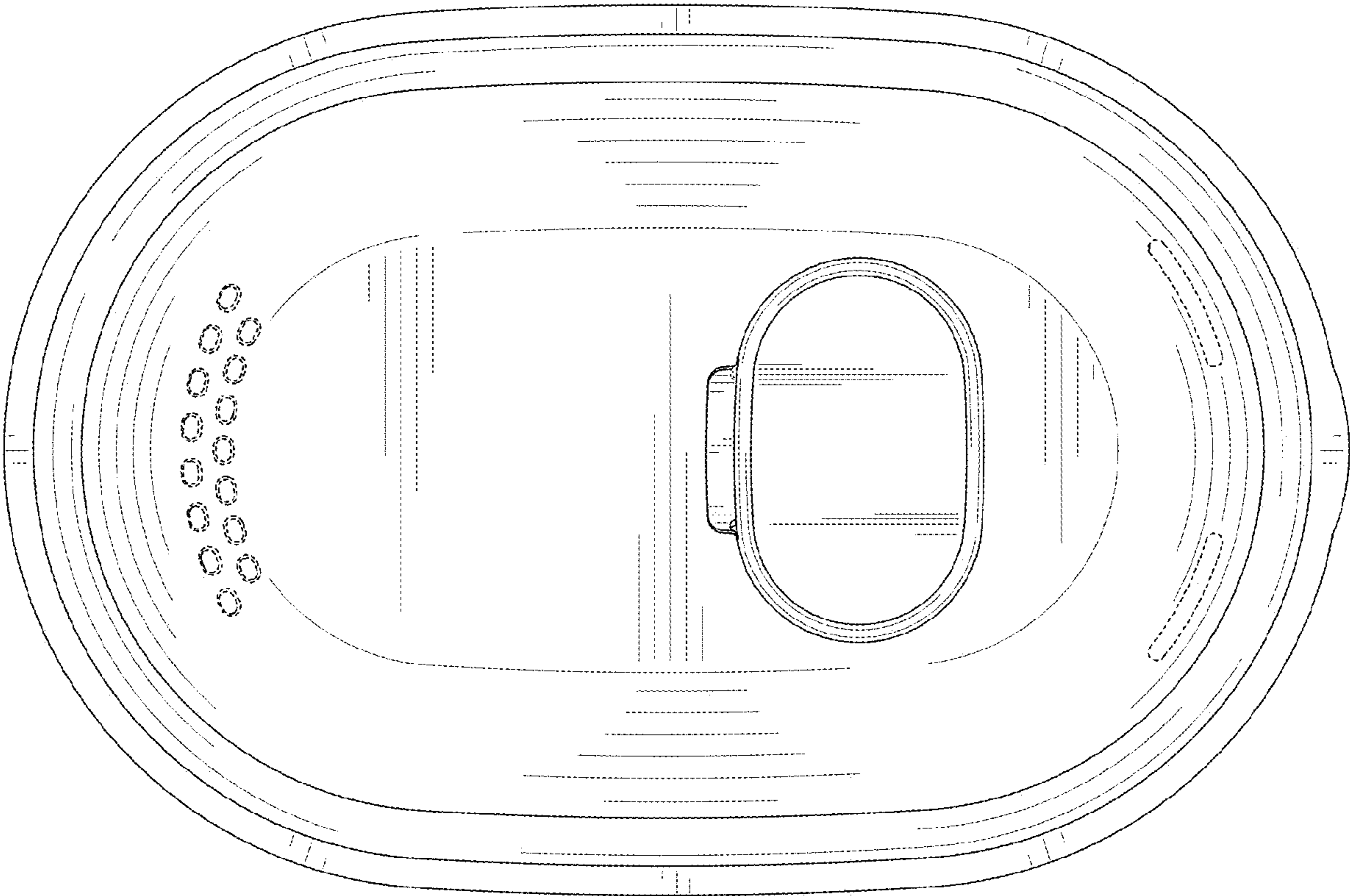


FIG. 7

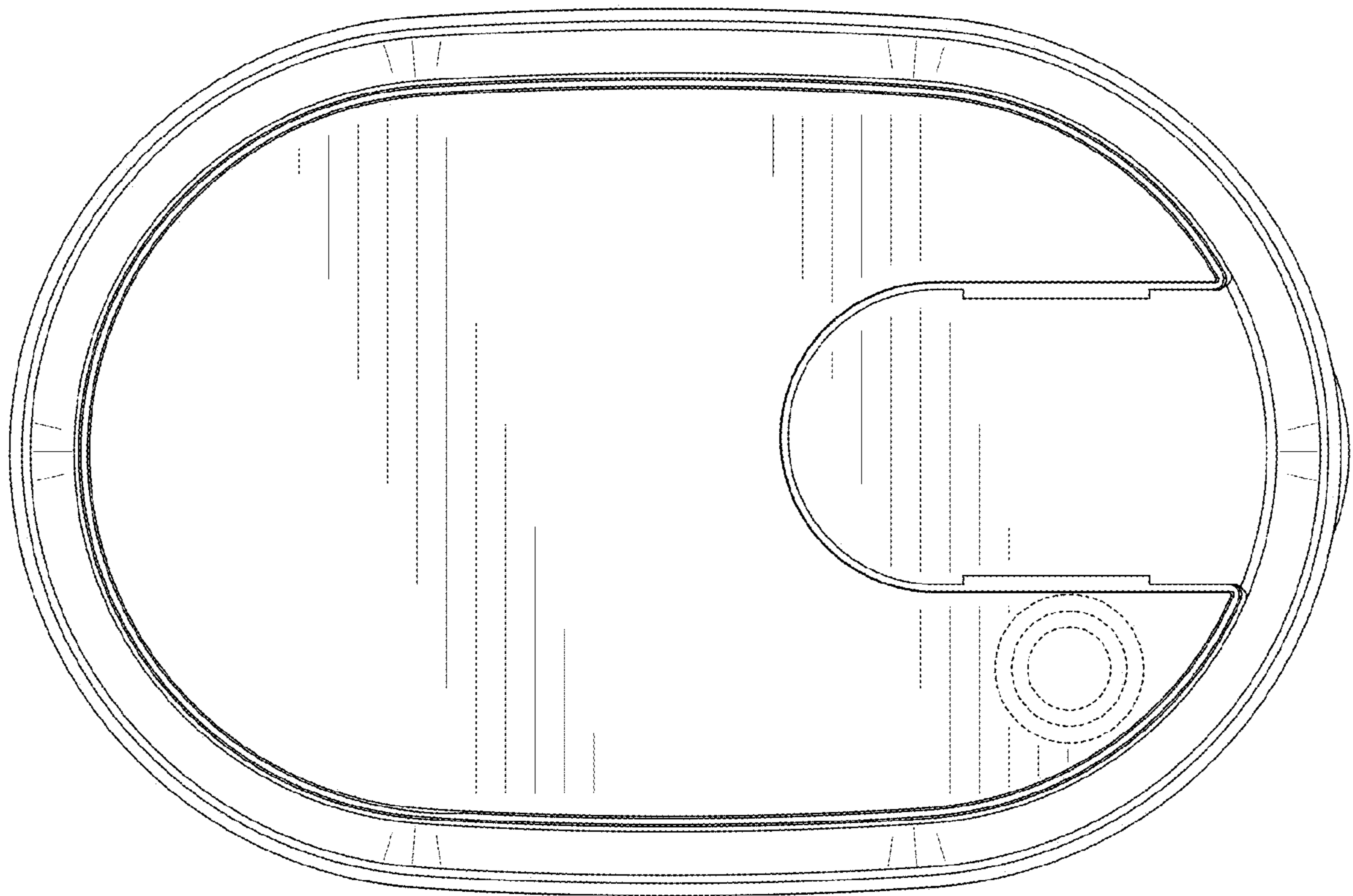


FIG. 8