



US00D965920S

(12) **United States Design Patent**
Wu

(10) **Patent No.:** **US D965,920 S**

(45) **Date of Patent:** **** Oct. 4, 2022**

(54) **FEEDING DEVICE**

(71) Applicant: **Qiuning Tan**, Taiping Town (CN)

(72) Inventor: **Qiang Wu**, Shenzhen (CN)

(**) Term: **15 Years**

(21) Appl. No.: **29/762,714**

(22) Filed: **Dec. 17, 2020**

(51) **LOC (13) Cl.** **30-07**

(52) **U.S. Cl.**

USPC **D30/121**

(58) **Field of Classification Search**

USPC D30/121-131, 106, 133, 108, 109, 199;
119/51.04, 6.7, 256, 702, 60, 65, 54.01,
119/61.1, 58, 59, 66, 67, 51.5, 68, 69;
220/4.22, 480; 229/120, 120.1; D7/409,
D7/601; 211/181.1; 414/24.5; D3/205,
D3/301, 276, 290, 291, 900, 901;
190/18 A, 100, 109, 107, 127, 900, 115;
D22/121

CPC A01K 61/85; A01K 61/80; Y02A 40/81

See application file for complete search history.

(56) **References Cited**

U.S. PATENT DOCUMENTS

D907,303 S * 1/2021 Wei D30/102
D935,107 S * 11/2021 Chen D30/106

D936,295 S * 11/2021 Chen D30/106
D940,965 S * 1/2022 Xiao D30/106
D945,712 S * 3/2022 Zeng D30/122
D951,554 S * 5/2022 Wilson D30/106

* cited by examiner

Primary Examiner — Abraham Bahta

(74) *Attorney, Agent, or Firm* — Tsz Lung Yeung

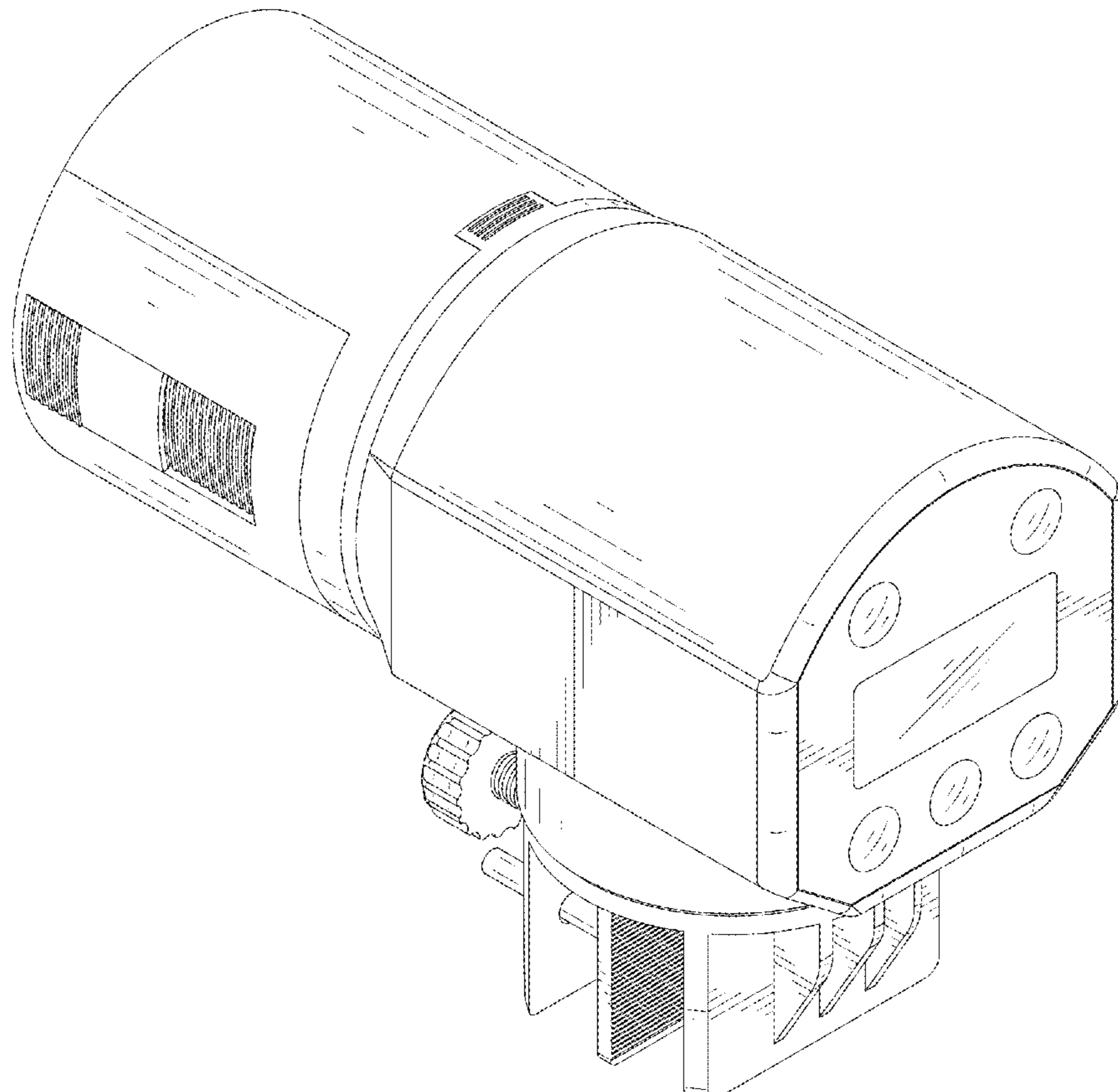
(57) **CLAIM**

The ornamental design for a feeding device, as shown and described.

DESCRIPTION

FIG. 1 is a front perspective view of a feeding device showing my new design;
FIG. 2 is a rear perspective view thereof;
FIG. 3 is a front view thereof;
FIG. 4 is a rear view thereof;
FIG. 5 is a left side view thereof;
FIG. 6 is a right side view thereof;
FIG. 7 is a top view thereof; and,
FIG. 8 is a bottom view thereof.

1 Claim, 8 Drawing Sheets



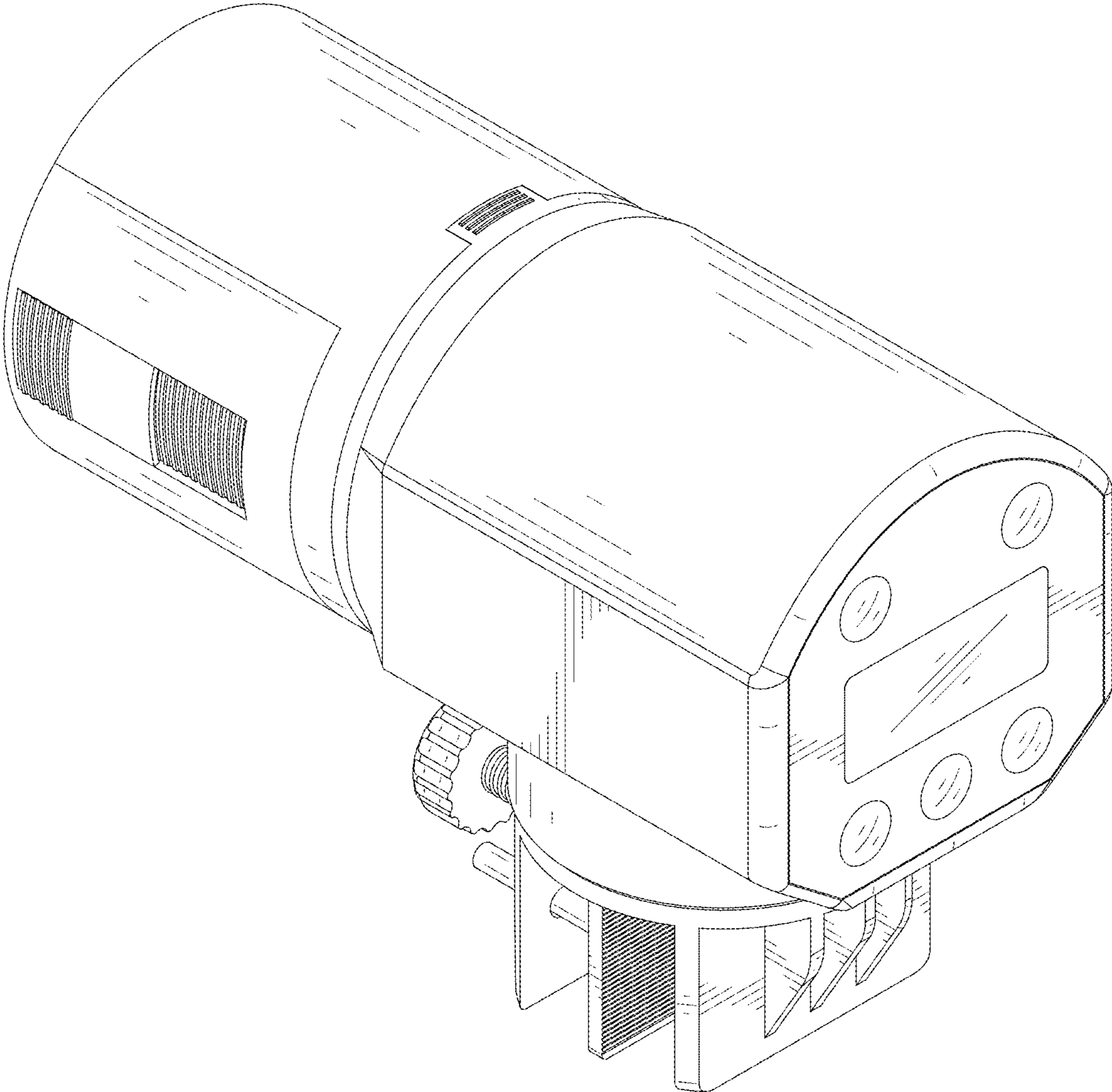


FIG.1

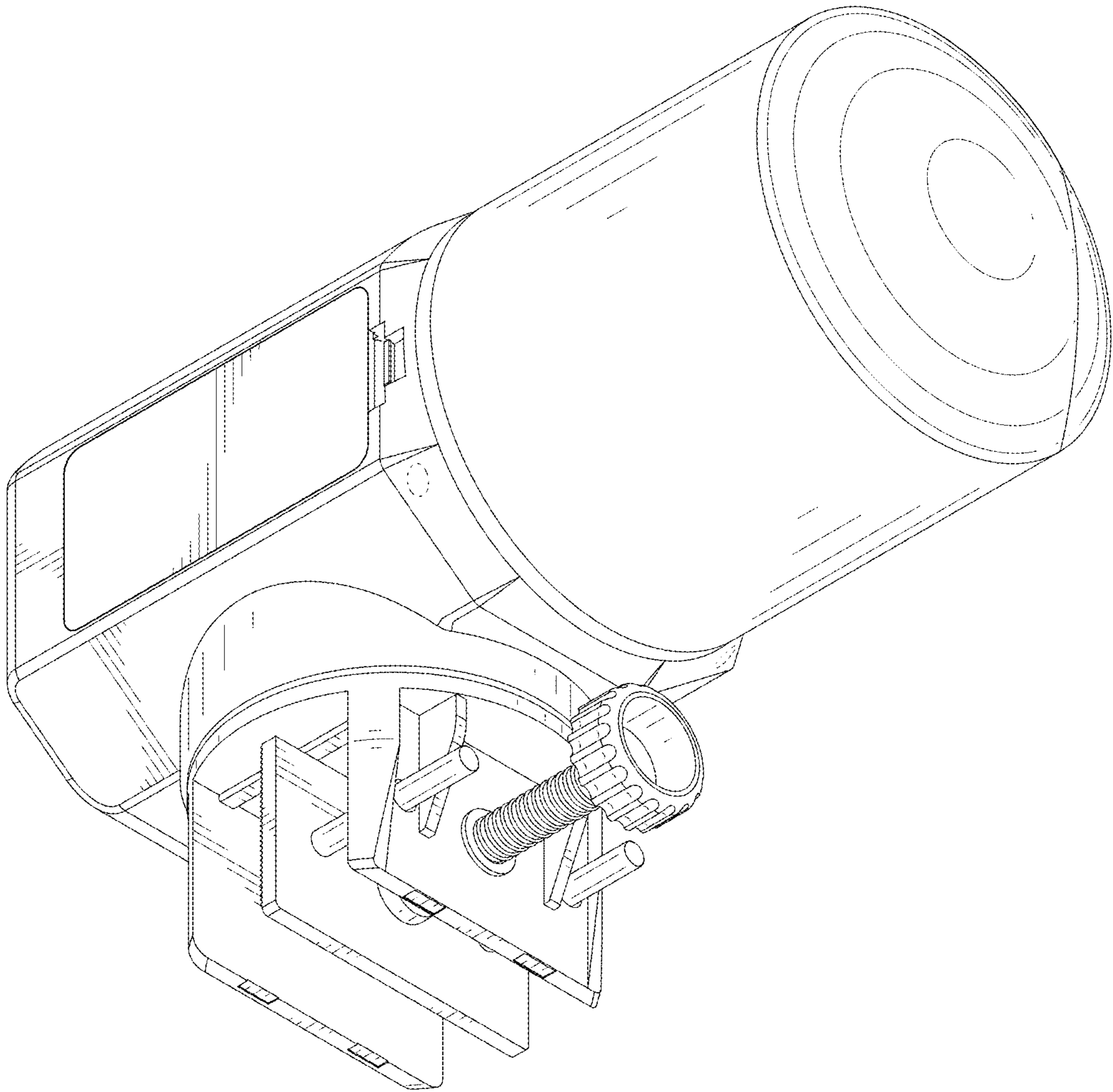


FIG.2

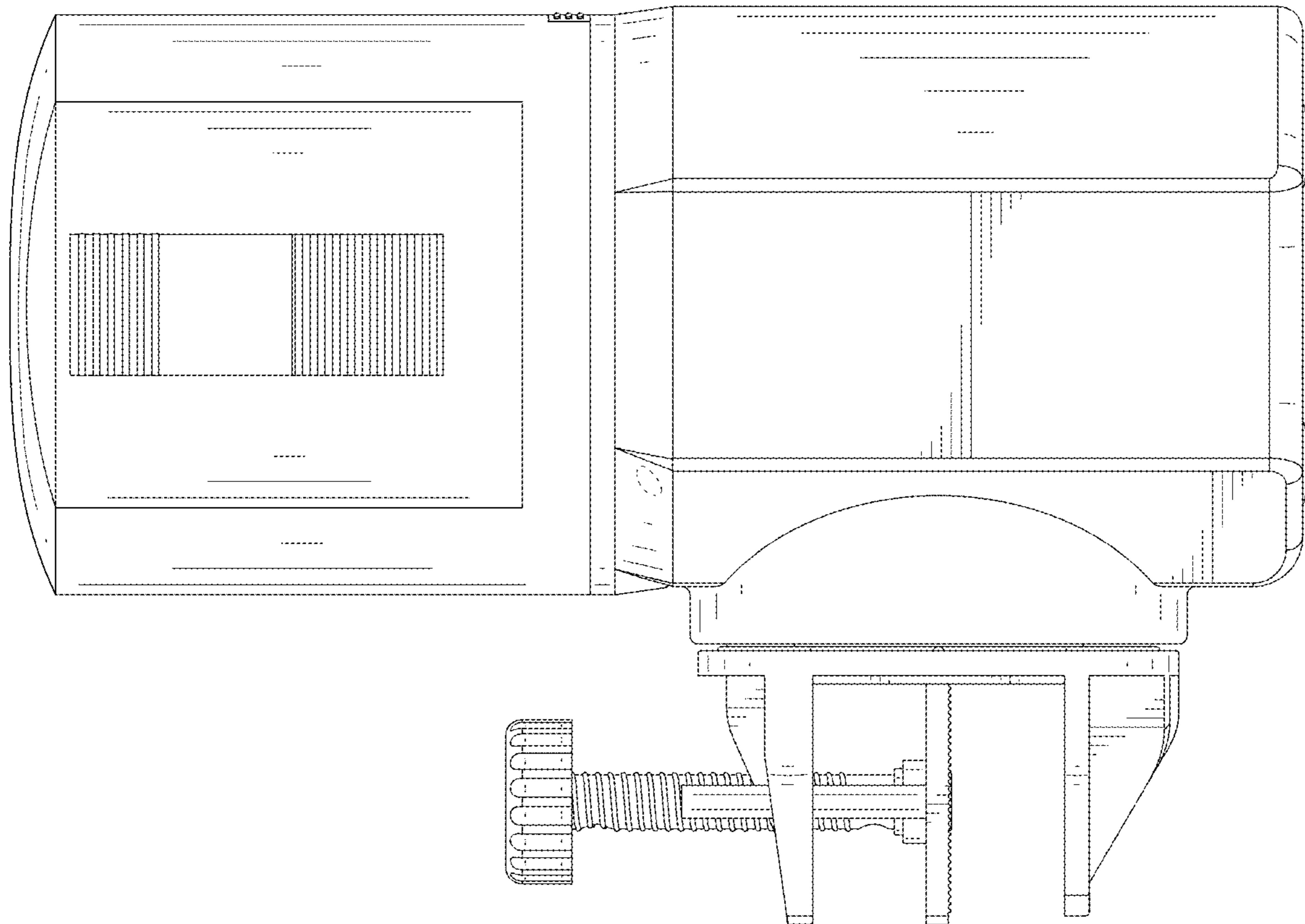


FIG.3

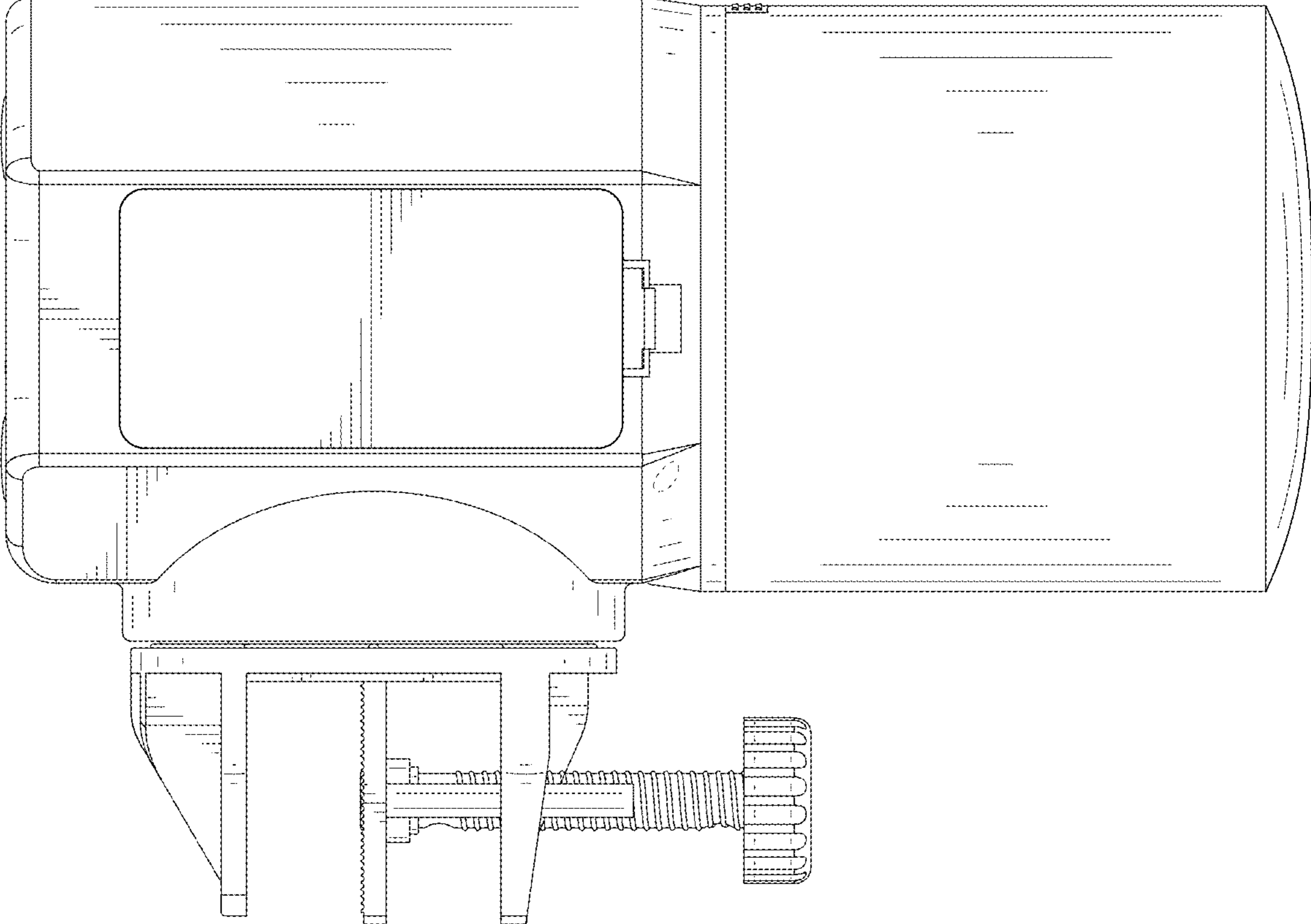


FIG.4

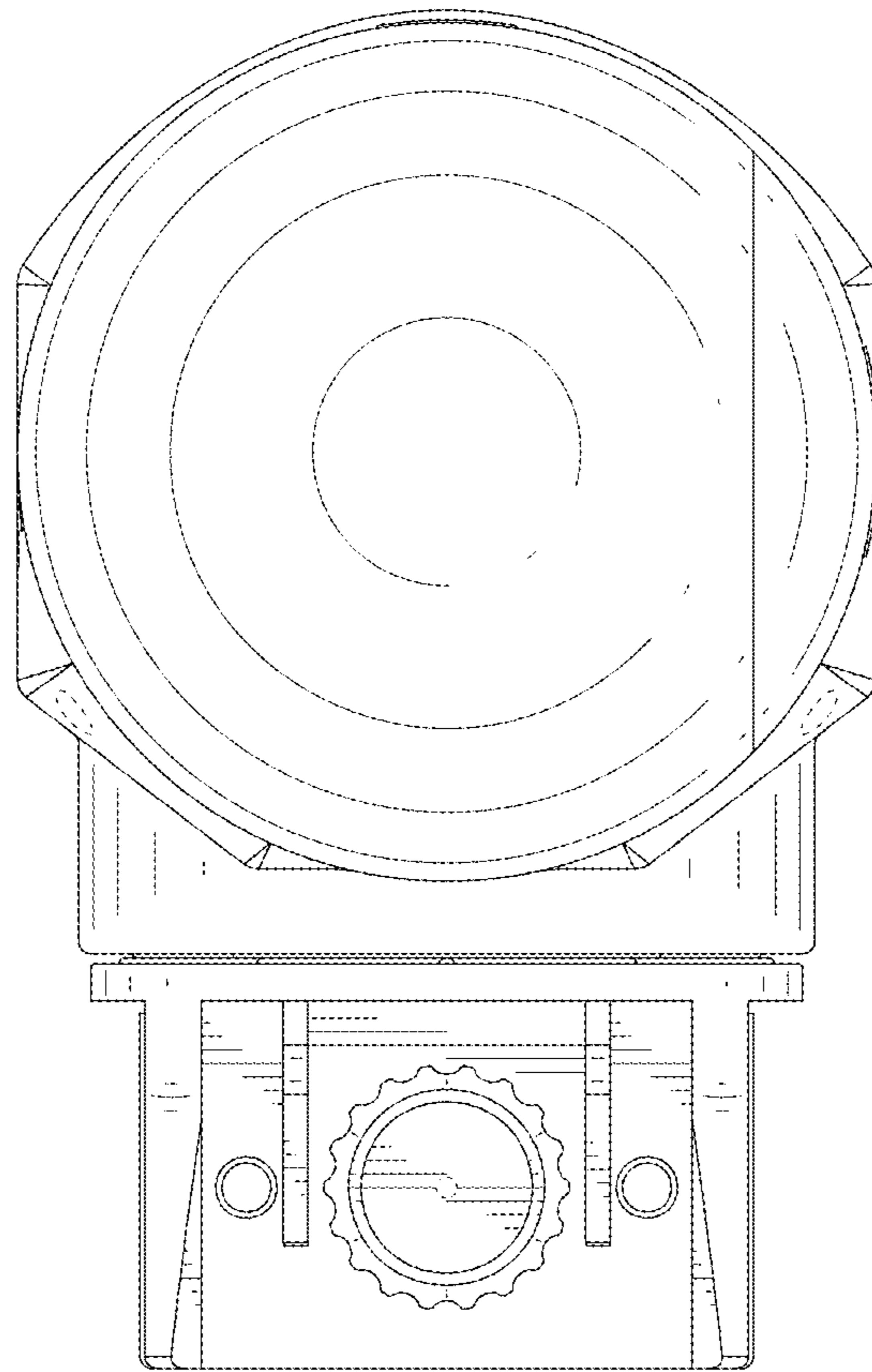


FIG.5

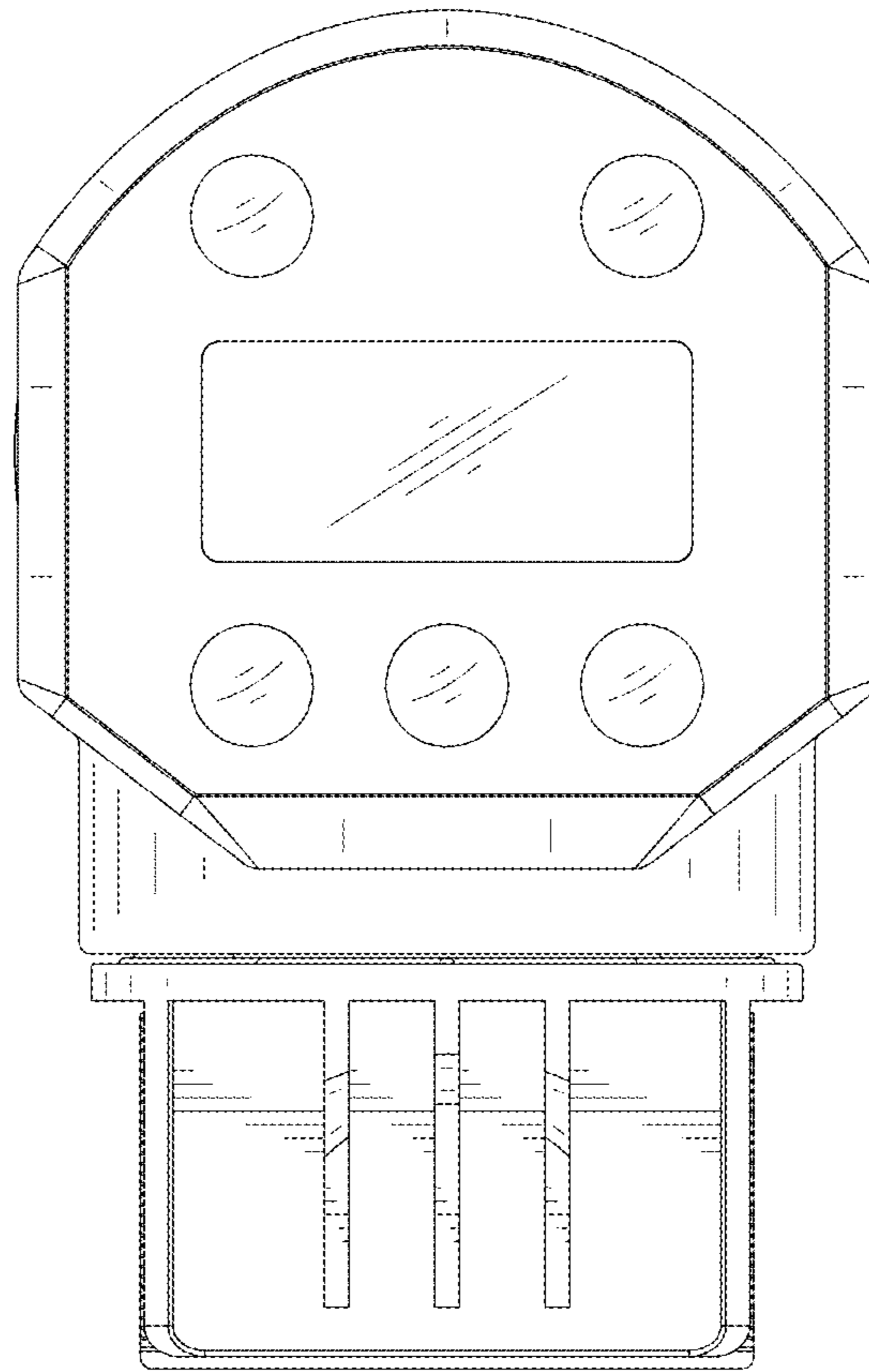


FIG.6

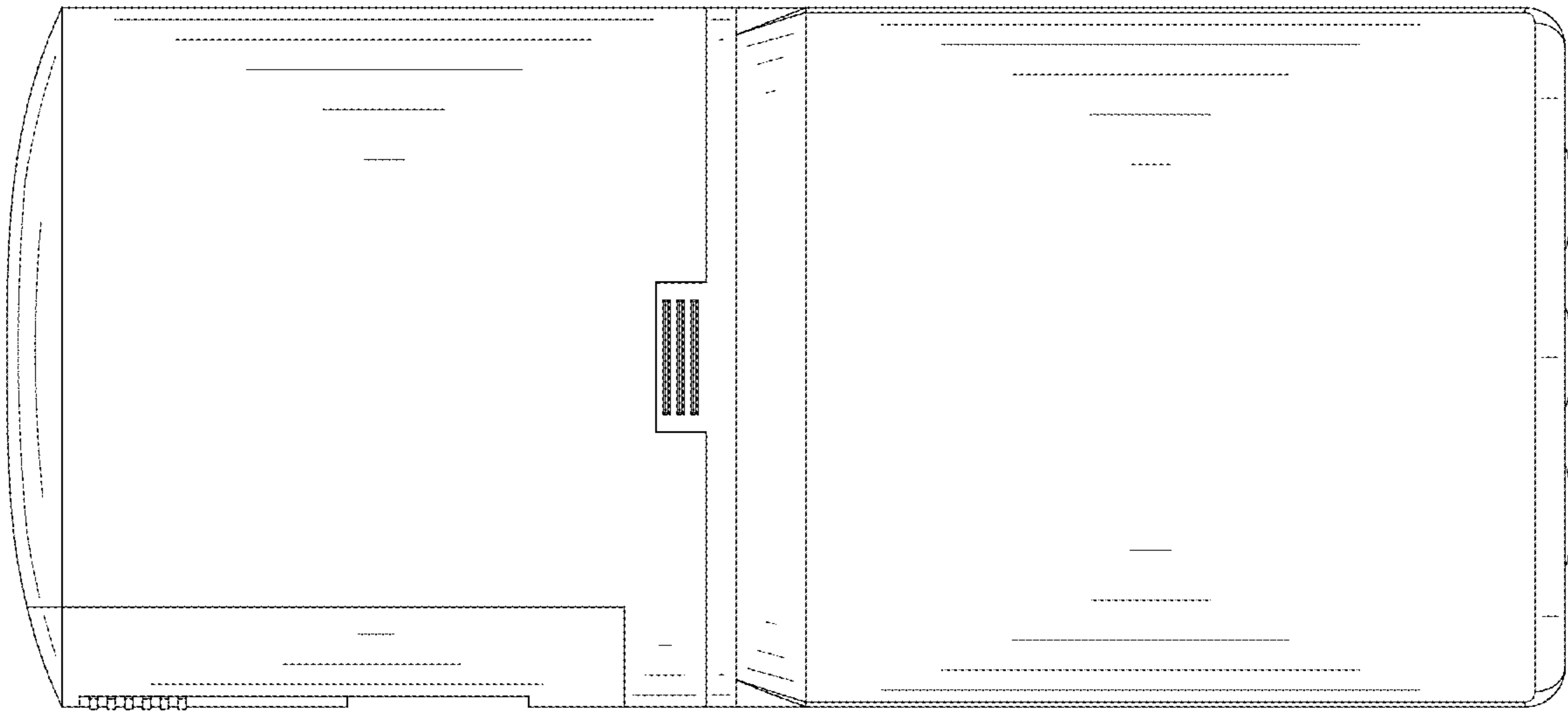


FIG.7

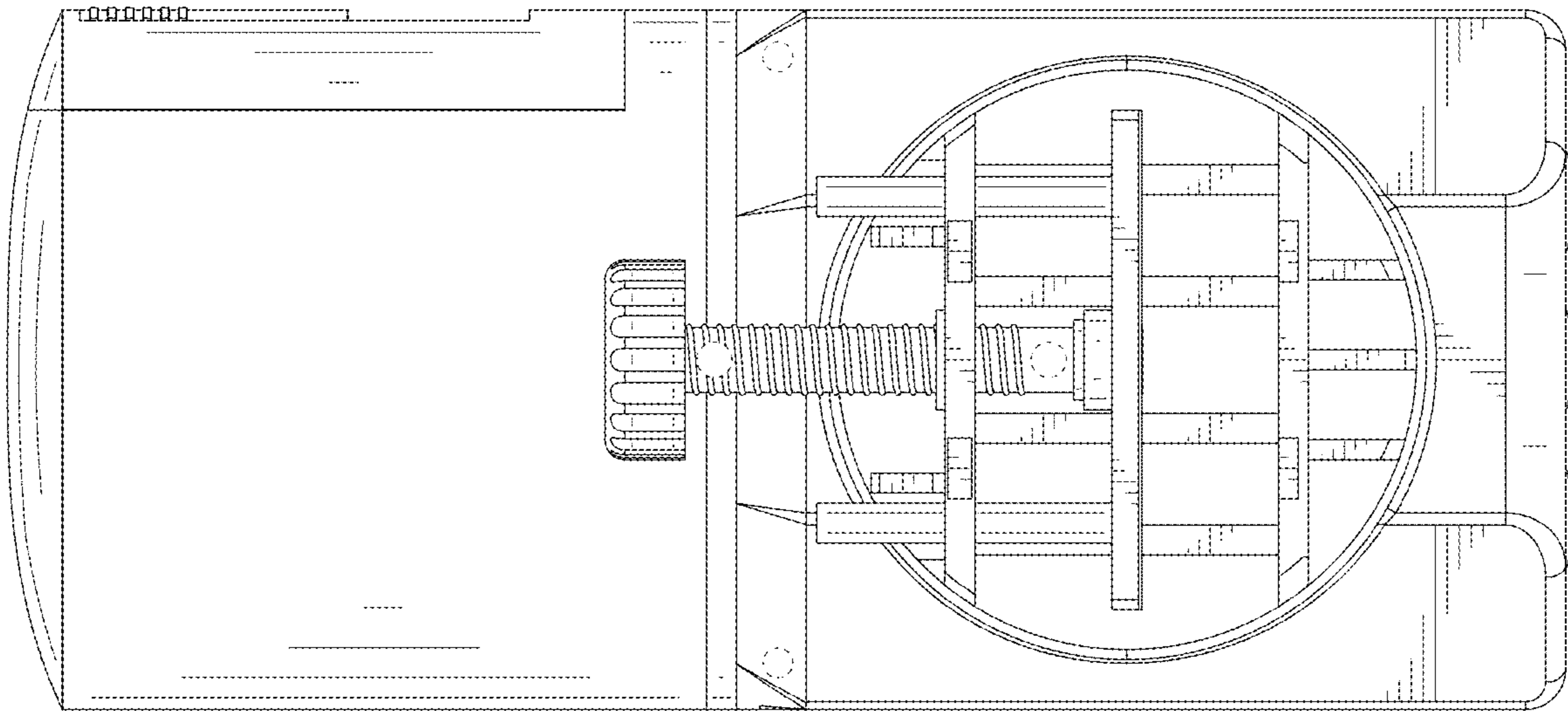


FIG. 8