



US00D965903S

(12) **United States Design Patent** (10) **Patent No.:** **US D965,903 S**
Wanders (45) **Date of Patent:** **** Oct. 4, 2022**

(54) **COMPACT**

(71) Applicant: **WONDERS HOLDING BV**,
Amsterdam (NL)

(72) Inventor: **Marcel Wanders**, Amsterdam (NL)

(73) Assignee: **WONDERS HOLDING BV**,
Amsterdam (NL)

(**) Term: **15 Years**

(21) Appl. No.: **29/718,846**

(22) Filed: **Dec. 30, 2019**

(30) **Foreign Application Priority Data**

Nov. 6, 2019 (JP) 2019-024664

(51) **LOC (13) Cl.** **28-03**

(52) **U.S. Cl.**
USPC **D28/83**

(58) **Field of Classification Search**

USPC D28/7-8, 56, 64.1, 64.3, 73, 76-78,
D28/82-85, 91, 99; D19/102-103,
D19/106-107; D9/414, 420, 423, 424,
D9/430, 432, 456, 503-505, 722, 529,
D9/425, 428
CPC A45D 33/00; A45D 33/003; A45D 33/006;
A45D 33/008; A45D 33/18; A45D 33/26;
A45D 33/24; A45D 33/32; A45D 33/025;
A45D 33/20; A45D 33/22; A45D 40/00;
A45D 40/0012; A45D 40/22; A45D
40/222; A45D 40/225; A45D 40/24;
A45D 42/00; A45D 42/08; A45D 42/10;
A45D 42/18

See application file for complete search history.

(56) **References Cited**

U.S. PATENT DOCUMENTS

1,682,534 A * 8/1928 Martinat A45D 40/22
132/297
D130,221 S * 11/1941 Bermod D9/423

D262,151 S * 12/1981 Sussman D28/83
D278,276 S * 4/1985 Bakic D28/78
D295,452 S * 4/1988 Bakic D28/83
D301,124 S * 5/1989 Bakic D28/76
D302,604 S * 8/1989 Bakic D28/83
D304,099 S * 10/1989 Bakic D28/83
D332,328 S * 1/1993 Lombardi, Jr. D28/83
D404,532 S * 1/1999 Castagna D28/77
D429,070 S * 8/2000 Marshall D28/83

(Continued)

OTHER PUBLICATIONS

Decorte AQ Meliority Treatment Powder Foundation, date unavail-
able, retrieved on Apr. 6, 2022, retrieved from the Internet URL:
https://www.cosmedecorte.com/en-jp/product/aq_meliority/JQPA.*

Primary Examiner — Alison M Ofstun

(74) *Attorney, Agent, or Firm* — Bacon & Thomas, PLLC

(57) **CLAIM**

The ornamental design for a compact, as shown and
described.

DESCRIPTION

FIG. 1 is a perspective view of a compact, showing my new
design.

FIG. 2 is a front view thereof.

FIG. 3 is a rear view thereof.

FIG. 4 is a top plan view thereof.

FIG. 5 is a bottom plan view thereof.

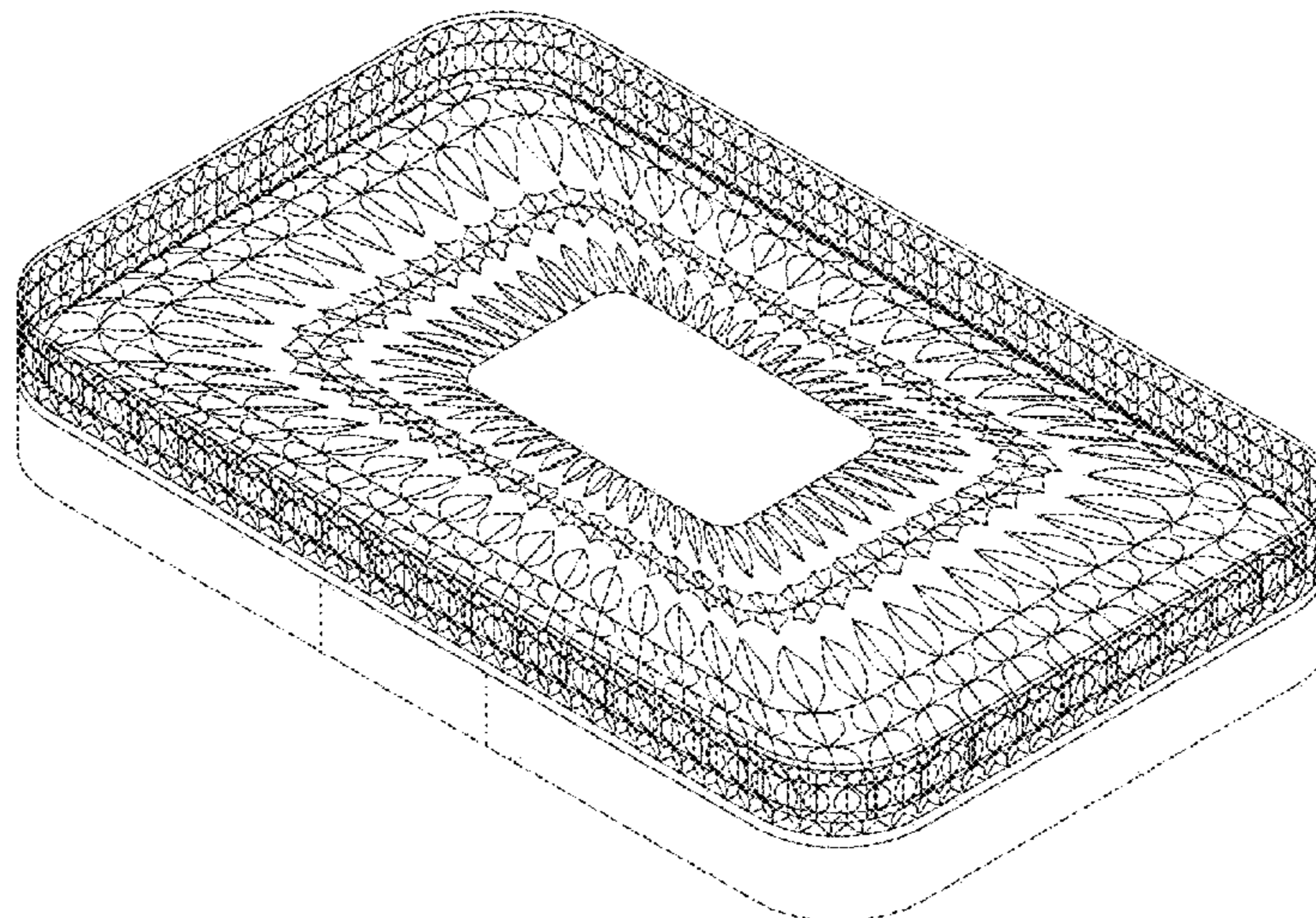
FIG. 6 is a right side view thereof.

FIG. 7 is a sectional view taken along line 7-7 of FIG. 4
thereof; and,

FIG. 8 is a bottom plan view thereof, shown with the broken
line subject matter removed.

In the drawings, the evenly spaced broken lines illustrate
portions of the article which form no part of the claimed
design. The dash-dot broken lines illustrate a boundary to
the claim and form no part thereof.

1 Claim, 8 Drawing Sheets



(56)

References Cited

U.S. PATENT DOCUMENTS

D626,290	S	*	10/2010	Ohmoto	D28/83
D643,155	S	*	8/2011	Ohmoto	D28/83
D825,110	S	*	8/2018	Percassi	D28/83
D906,809	S	*	1/2021	Wanders	D9/452
D906,810	S	*	1/2021	Wanders	D9/452
2020/0077766	A1	*	3/2020	Souvorov	A45D 42/04

* cited by examiner

FIG. 1

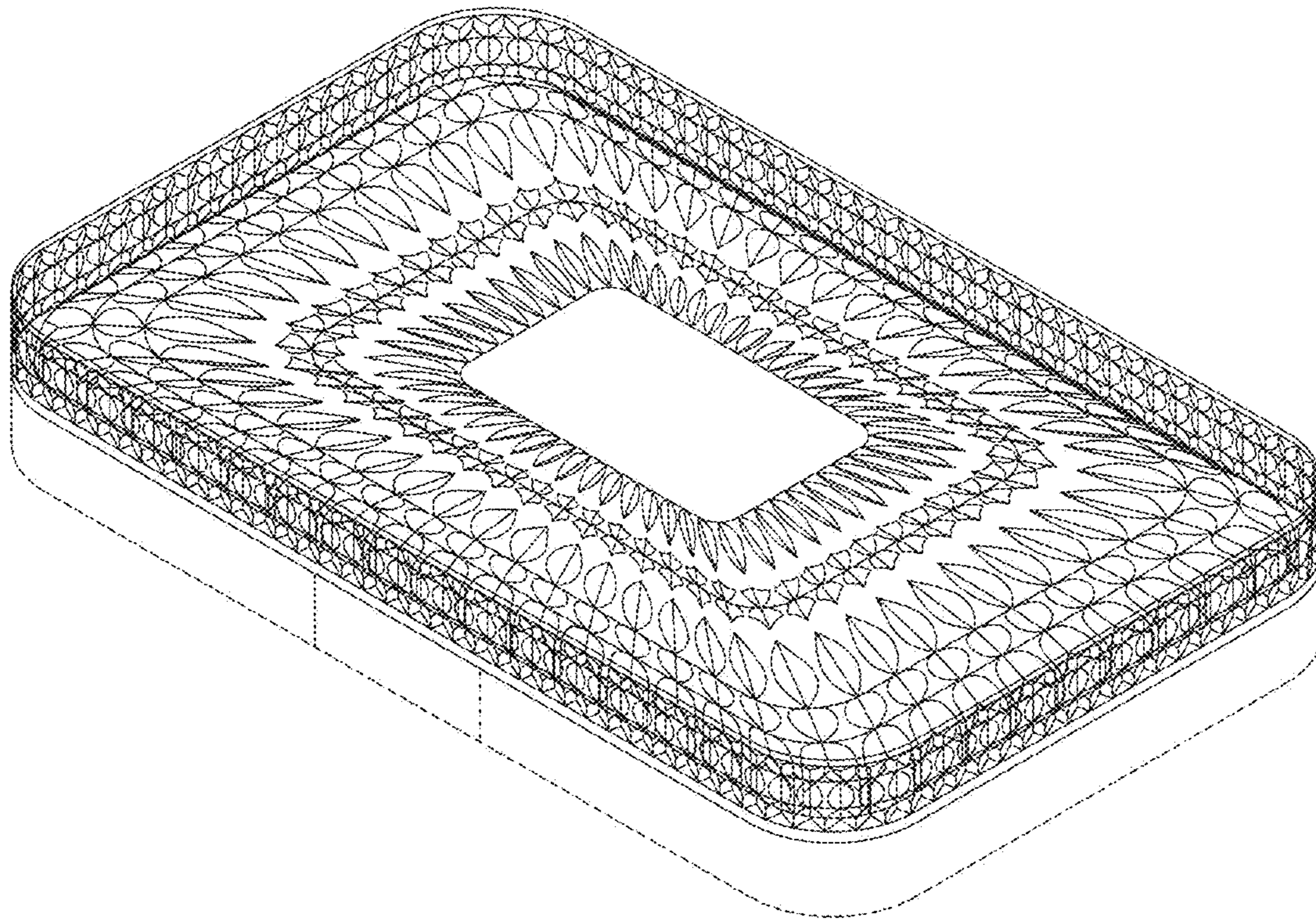


FIG. 2

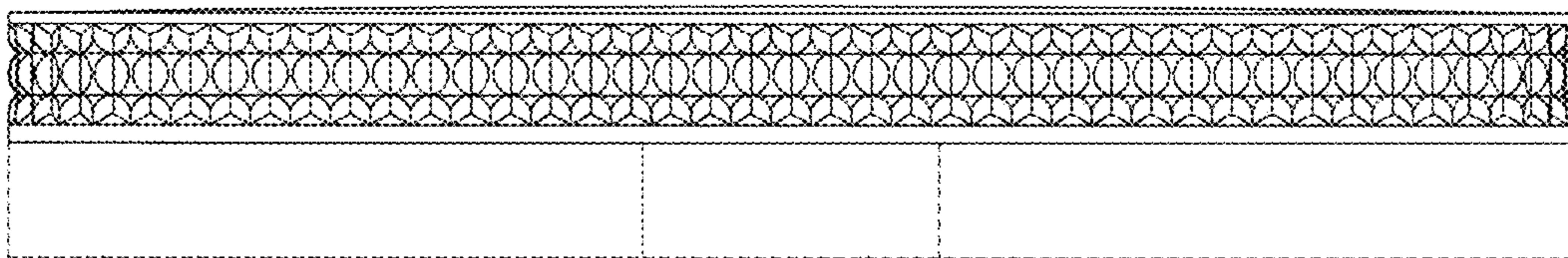


FIG. 3

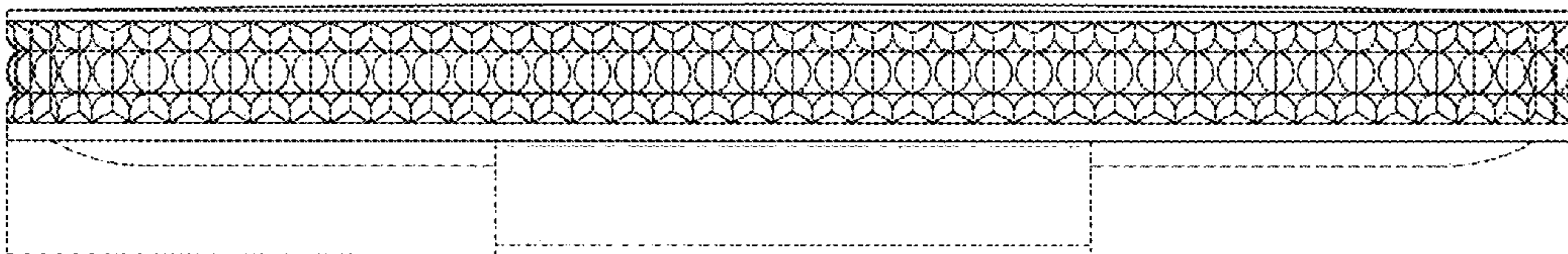


FIG. 4

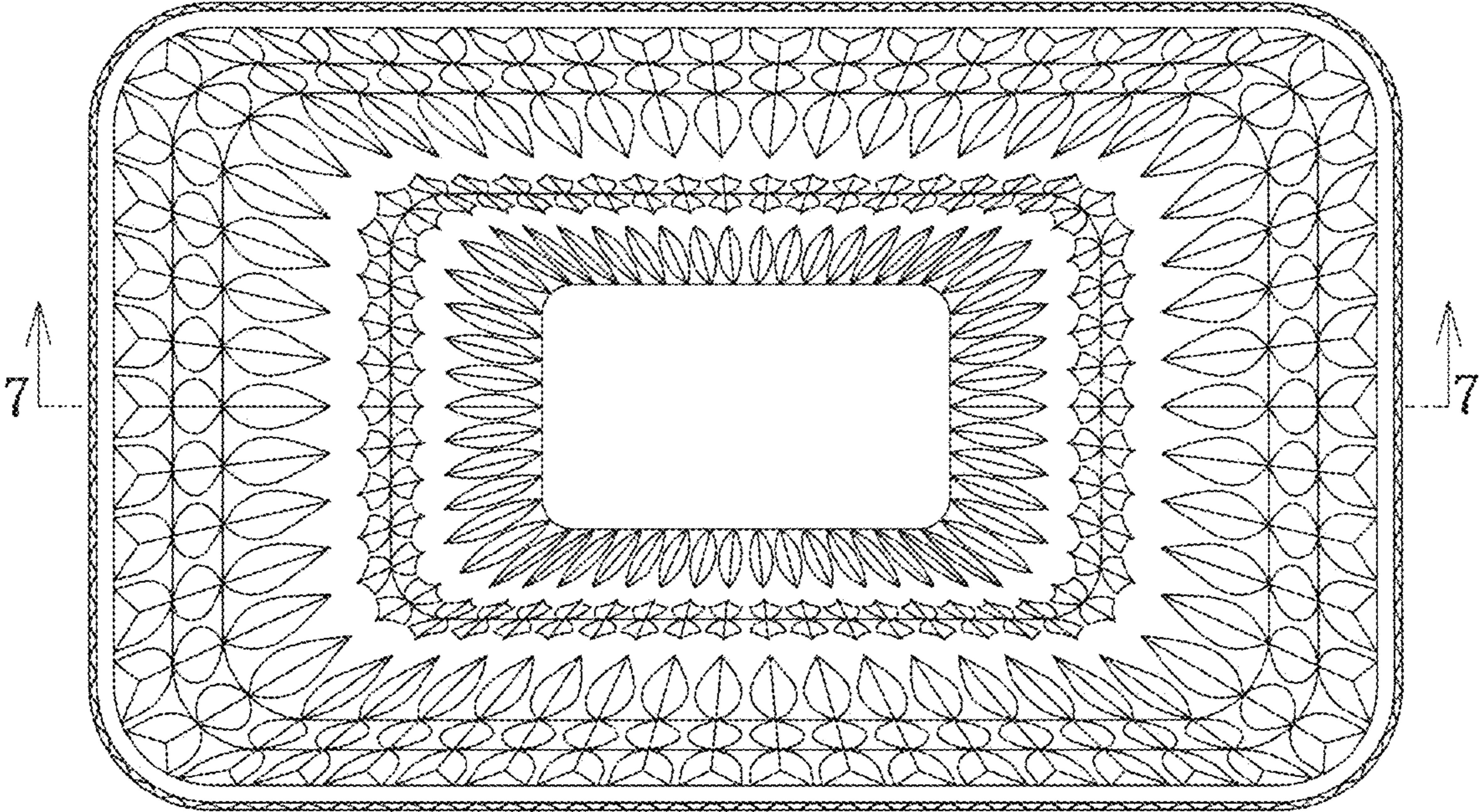


FIG. 5

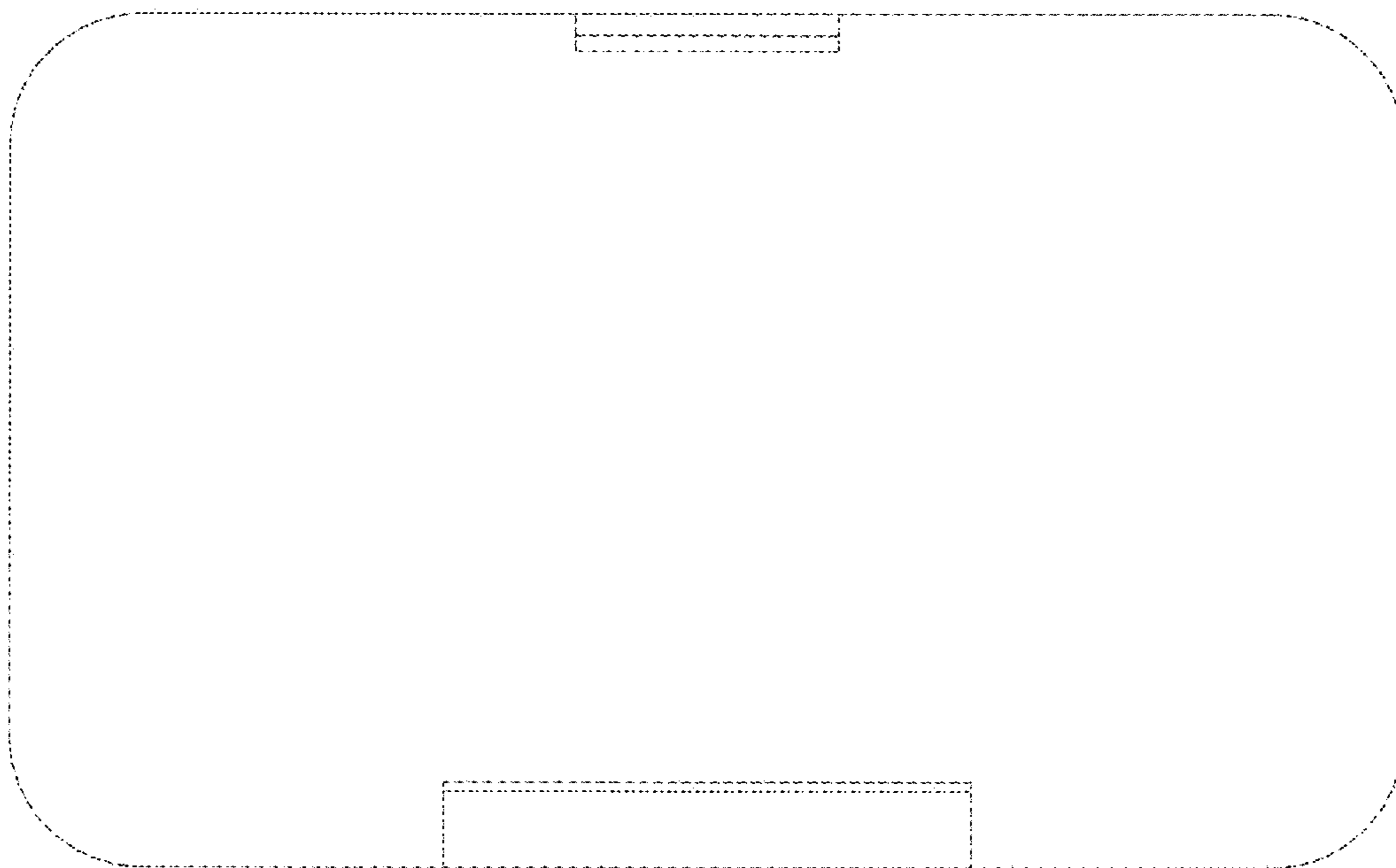


FIG. 6

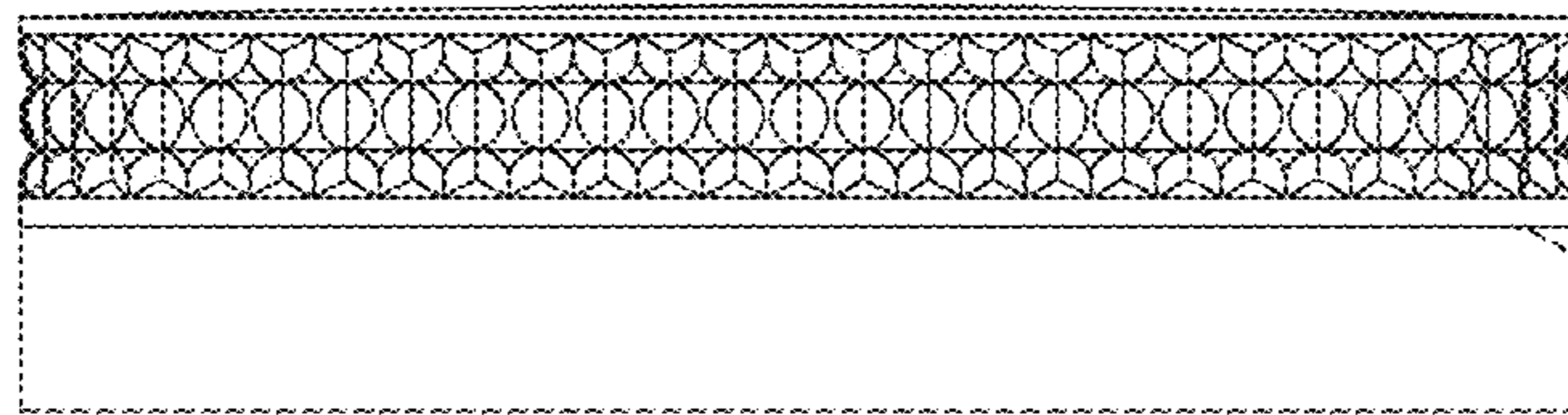


FIG. 7

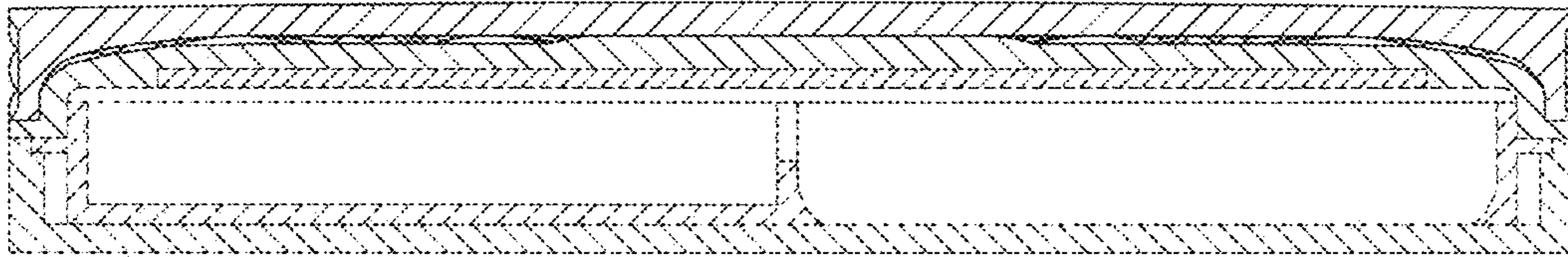


FIG. 8

