

US00D965902S

(12) **United States Design Patent** (10) **Patent No.:** **US D965,902 S**
Seibert et al. (45) **Date of Patent:** **** Oct. 4, 2022**

(54) **POWDER COMPACT WITH EXTERNALLY REMOVABLE APPLICATOR**

FOREIGN PATENT DOCUMENTS

EP 1459646 A1 * 9/2004 A45D 33/20

(71) Applicant: **Fusion Packaging I, LP**, Dallas, TX (US)

OTHER PUBLICATIONS

Top Secret Refillable—Square—FusionPKG, retrieved on Aug. 5, 2021, retrieved from the Internet URL: https://fusionpkg.com/shop/cosmetics/compacts-cosmetics/top-secret-refillable-square.*

(72) Inventors: **Michael Benjamin Seibert**, Culver City, CA (US); **Alexander Lee Kwapis**, Dallas, TX (US); **Daniel M. Dominski**, Flower Mound, TX (US); **Nils Ernst Alfons Siegel**, New York, NY (US)

(Continued)

(73) Assignee: **Fusion Packaging I, LLC**, Dallas, TX (US)

Primary Examiner — Alison M Ofstun

(74) *Attorney, Agent, or Firm* — Carrington, Coleman, Sloman & Blumenthal, L.L.P.

(**) Term: **15 Years**

(57) **CLAIM**

We claim the ornamental design for a powder compact with externally removable applicator, as shown and described.

(21) Appl. No.: **29/709,592**

DESCRIPTION

(22) Filed: **Oct. 15, 2019**

(51) **LOC (13) Cl.** **28-03**

(52) **U.S. Cl.**

USPC **D28/83**

(58) **Field of Classification Search**

USPC D28/7-9, 64.1, 64.3, 73, 76, 77, 83, 84, D28/91, 99; D9/414, 420, 423, 424, 430, D9/432, 456; D4/116, 130, 132, 135

CPC A45D 33/00; A45D 33/003; A45D 33/006; A45D 33/008; A45D 33/18; A45D 33/26; A45D 33/24; A45D 33/32; A45D 33/025; A45D 33/20; A45D 33/22; A45D 40/00;

(Continued)

FIG. 1 is a perspective view of a powder compact with externally removable applicator, showing our new design.

FIG. 2 is a front elevation view thereof.

FIG. 3 is a rear elevation view of thereof.

FIG. 4 is a right side view thereof.

FIG. 5 is a left side view thereof.

FIG. 6 is a top plan view thereof.

FIG. 7 is a bottom plan view thereof.

FIG. 8 is a bottom perspective view thereof.

FIG. 9 is an exploded perspective exploded view thereof.

FIG. 10 is an exploded perspective exploded view thereof with the top pivotal member away from the middle and bottom members; and,

FIG. 11 is a perspective view thereof with the top and middle pivotal members away from the bottom member.

In the drawings, the broken lines illustrate portions of the compact and the terminal tips of the applicator bristles that form no part of the claimed design.

Reference is made to the drawings for a dual compartment powder/applicator package having a powder storing compartment and a cosmetic powder applicator.

(56) **References Cited**

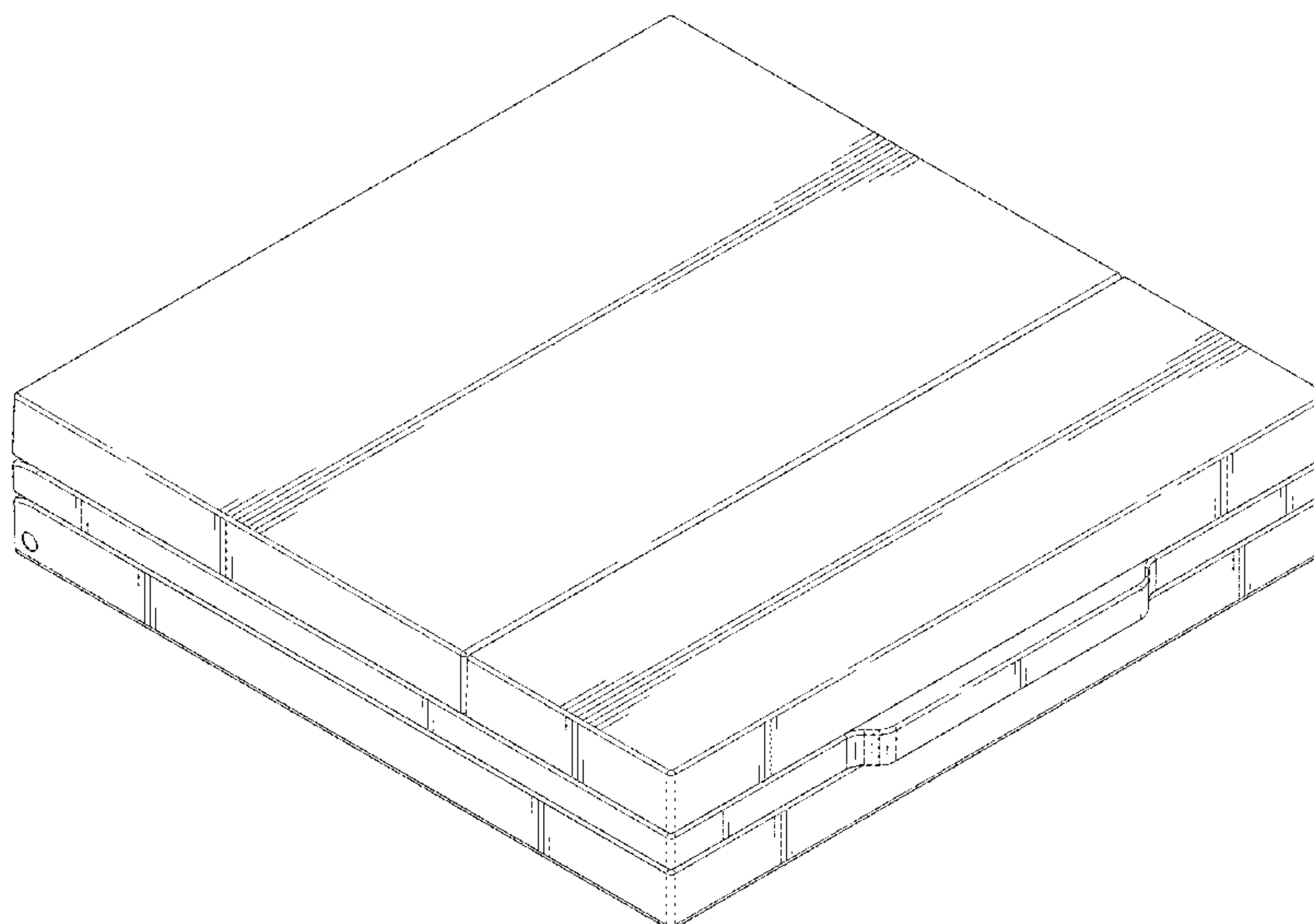
U.S. PATENT DOCUMENTS

2,039,205 A * 4/1936 Anderl A45D 33/32
362/156

4,685,558 A 8/1987 Filiz et al.

(Continued)

1 Claim, 9 Drawing Sheets



(58) **Field of Classification Search**

CPC .. A45D 40/0012; A45D 40/22; A45D 40/225;
A45D 40/24; A45D 42/00; A45D 42/08;
A45D 42/10; A45D 42/18

See application file for complete search history.

(56) **References Cited**

U.S. PATENT DOCUMENTS

D324,587	S *	3/1992	Di Nuccio	D28/78
5,819,764	A *	10/1998	Sussman	A45C 13/008 132/293
5,845,658	A *	12/1998	Sussman	A45D 33/006 132/287
D592,399	S *	5/2009	Sage	D3/295
2005/0011806	A1	1/2005	Byun		
2007/0056603	A1	3/2007	Huh		
2008/0078419	A1 *	4/2008	Hirst	A45D 33/006 132/286
2008/0173324	A1	7/2008	Washington		
2008/0302384	A1 *	12/2008	Parker	A45D 40/221 132/294
2011/0315161	A1 *	12/2011	Lim	A45D 40/264 132/301
2013/0015098	A1 *	1/2013	Chen	A45D 33/008 206/581
2016/0113374	A1 *	4/2016	Lim	A45D 33/32 132/288
2018/0110316	A1	4/2018	Kim		

OTHER PUBLICATIONS

Lee Young, PCT International Search Report and the Written Opinion of the International Searching Authority dated Mar. 27, 2020, 5 pages, PCT/US2020/0017329 Jun. 26, 2020.

* cited by examiner

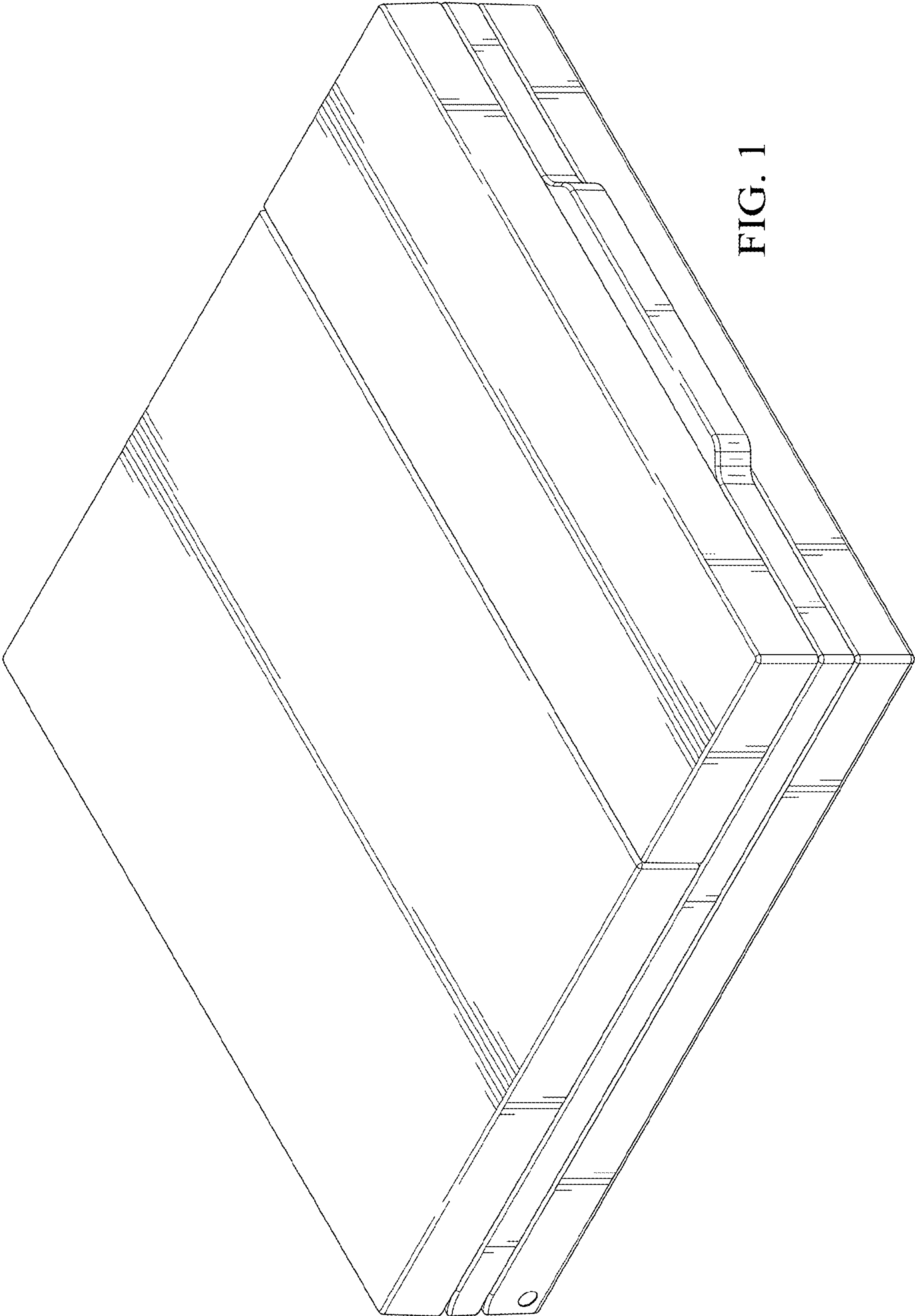


FIG. 1

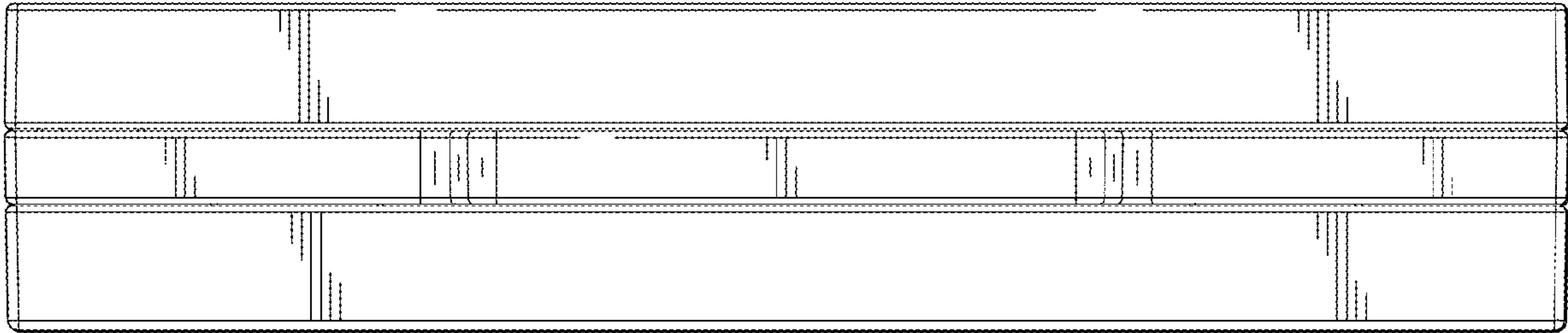


FIG. 2

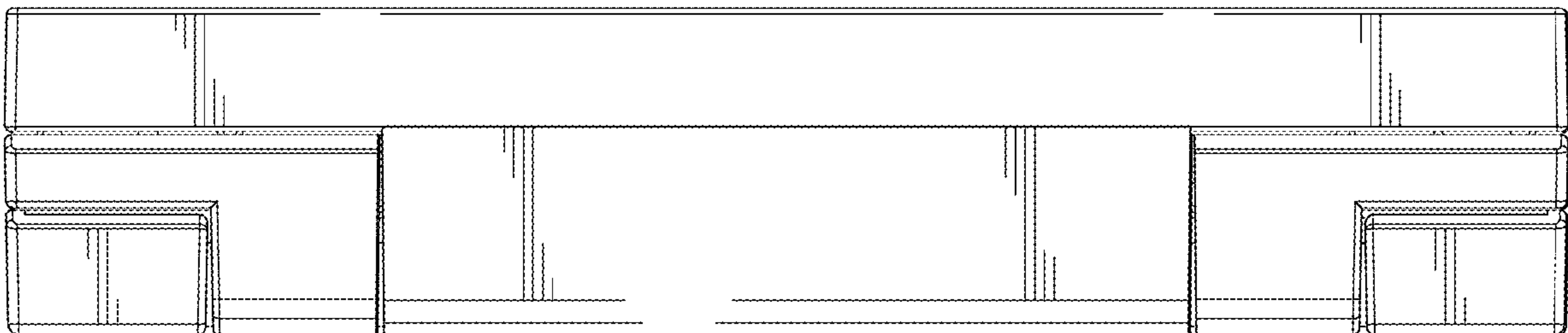


FIG. 3

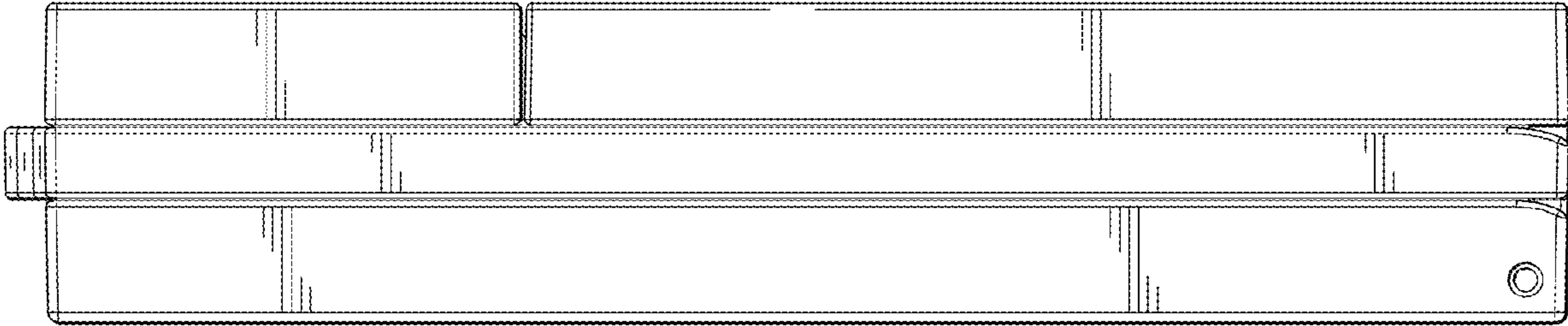


FIG. 4

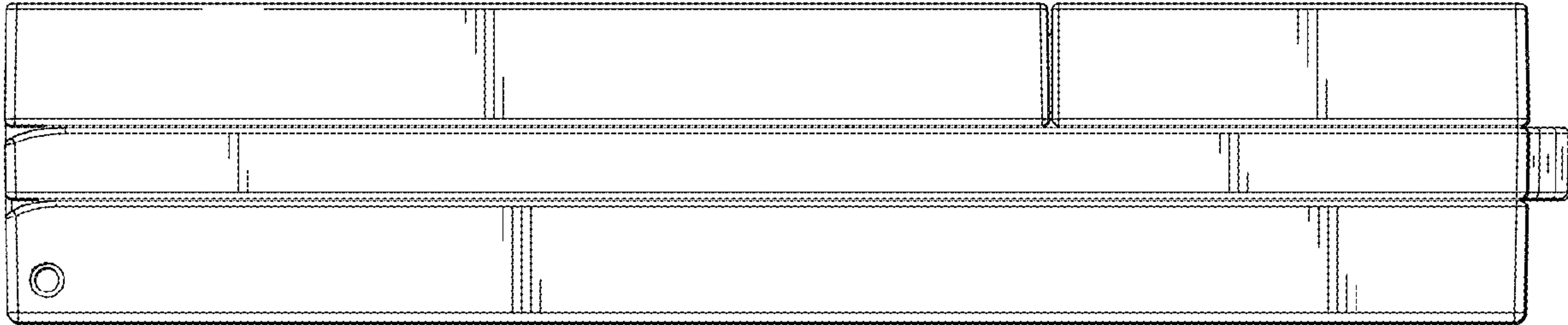


FIG. 5

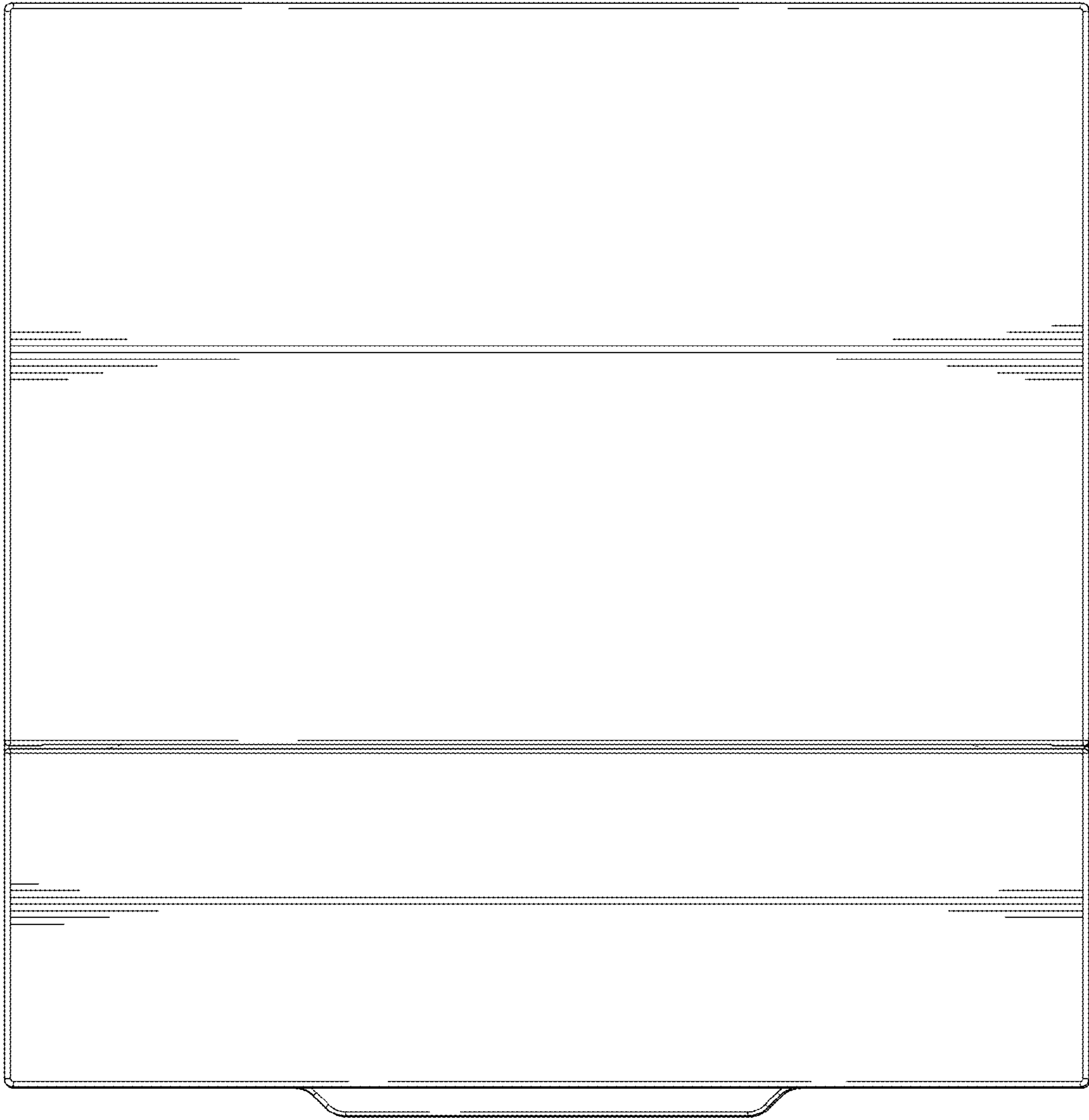


FIG. 6

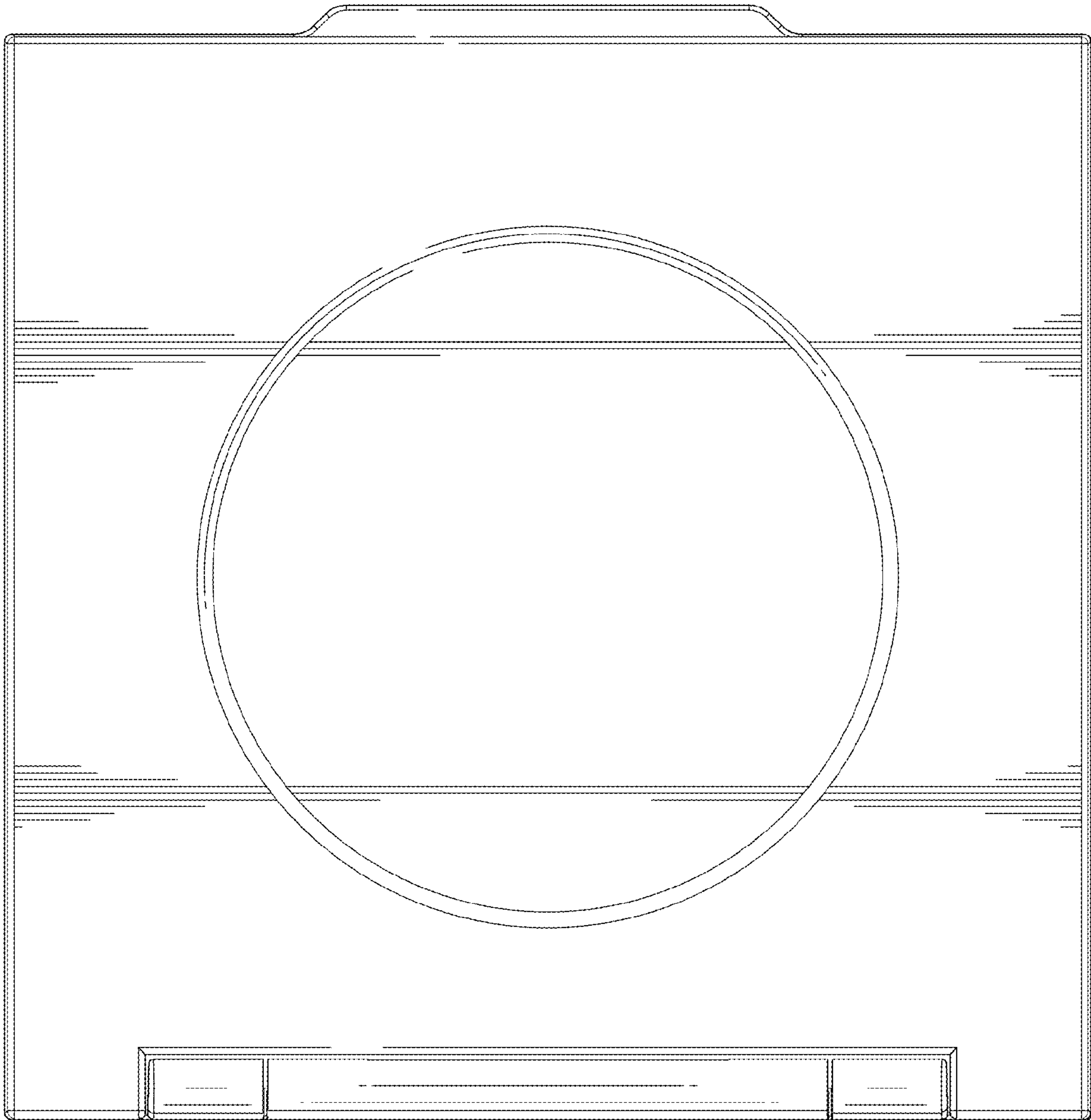


FIG. 7

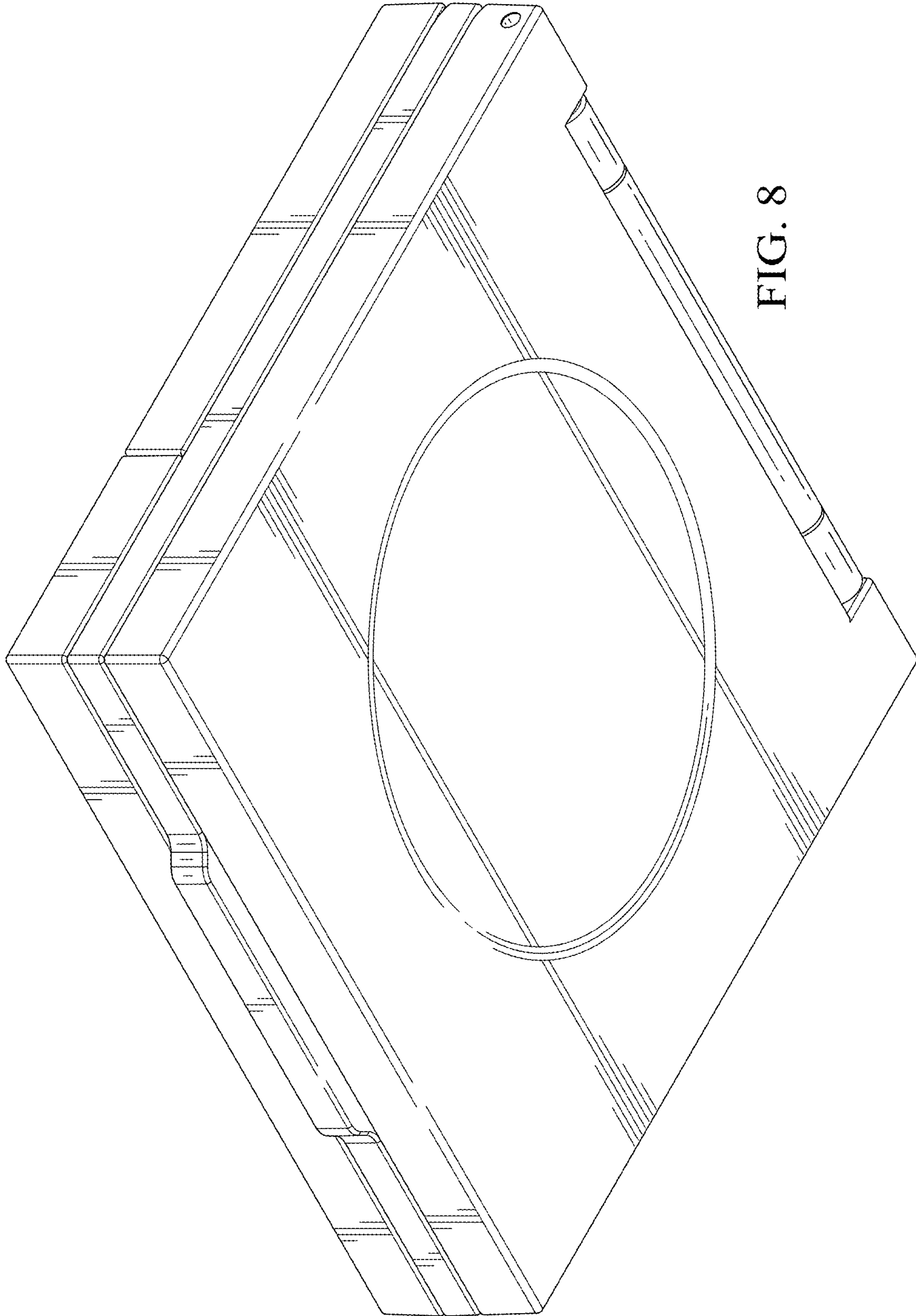


FIG. 8

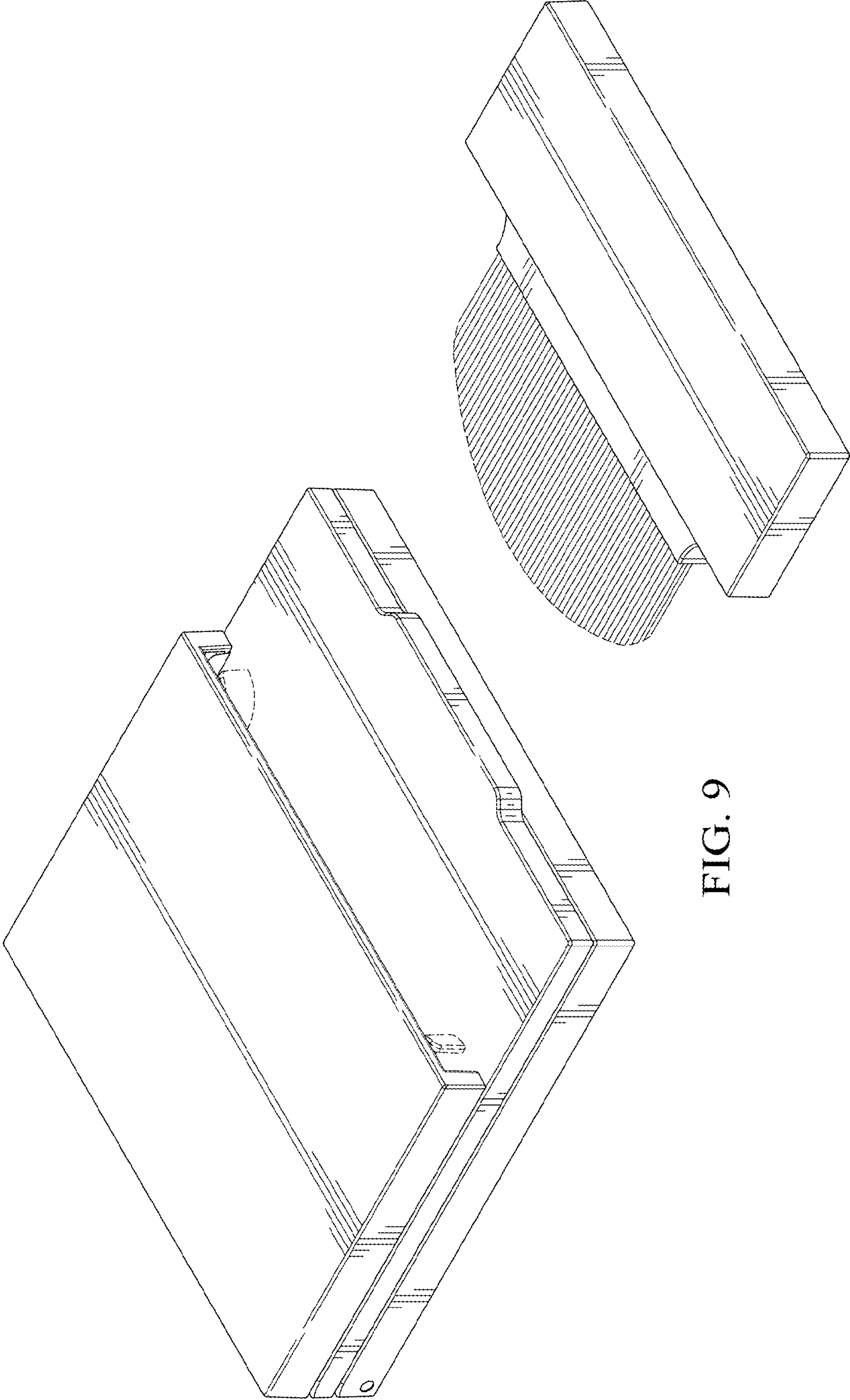


FIG. 9

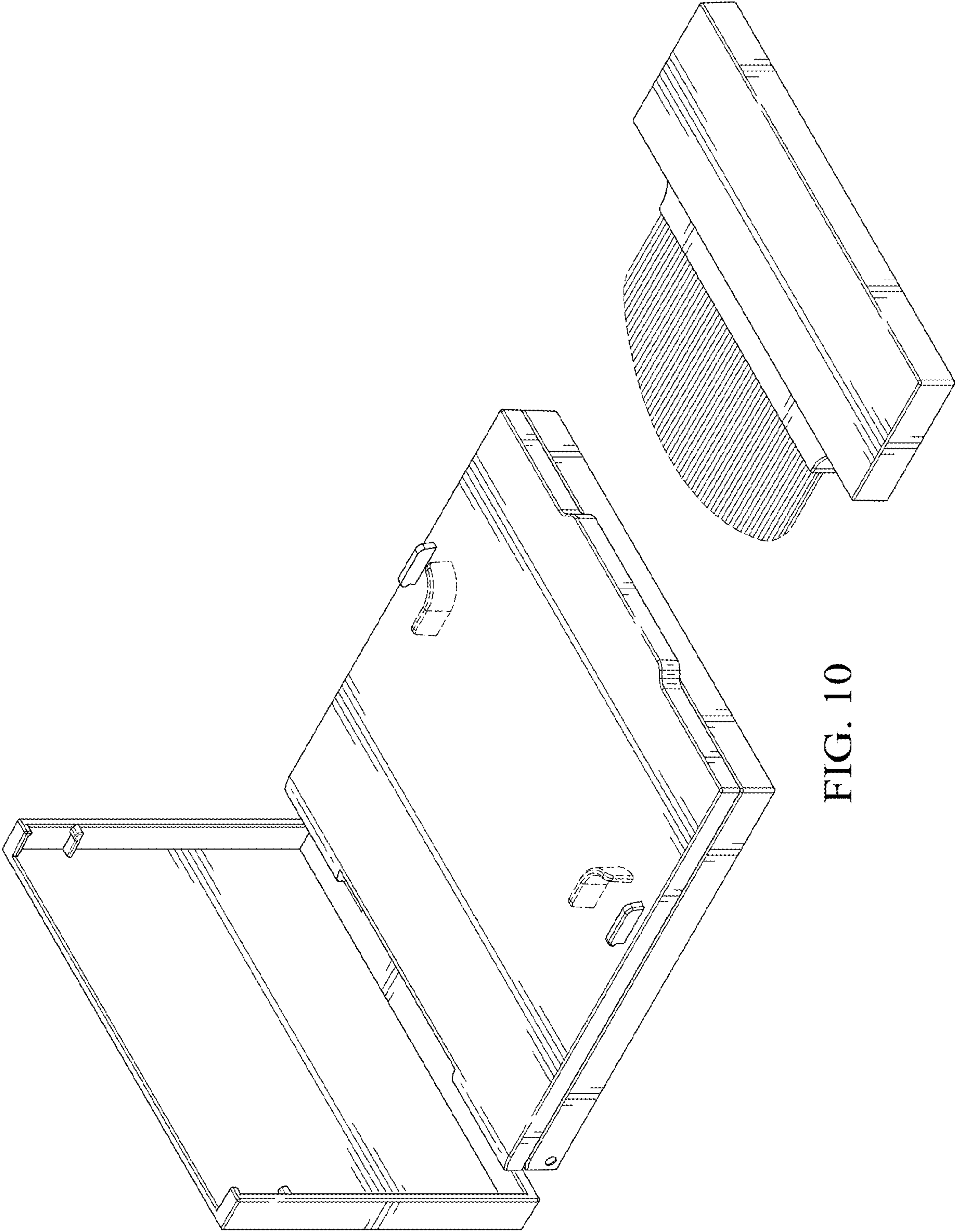


FIG. 10

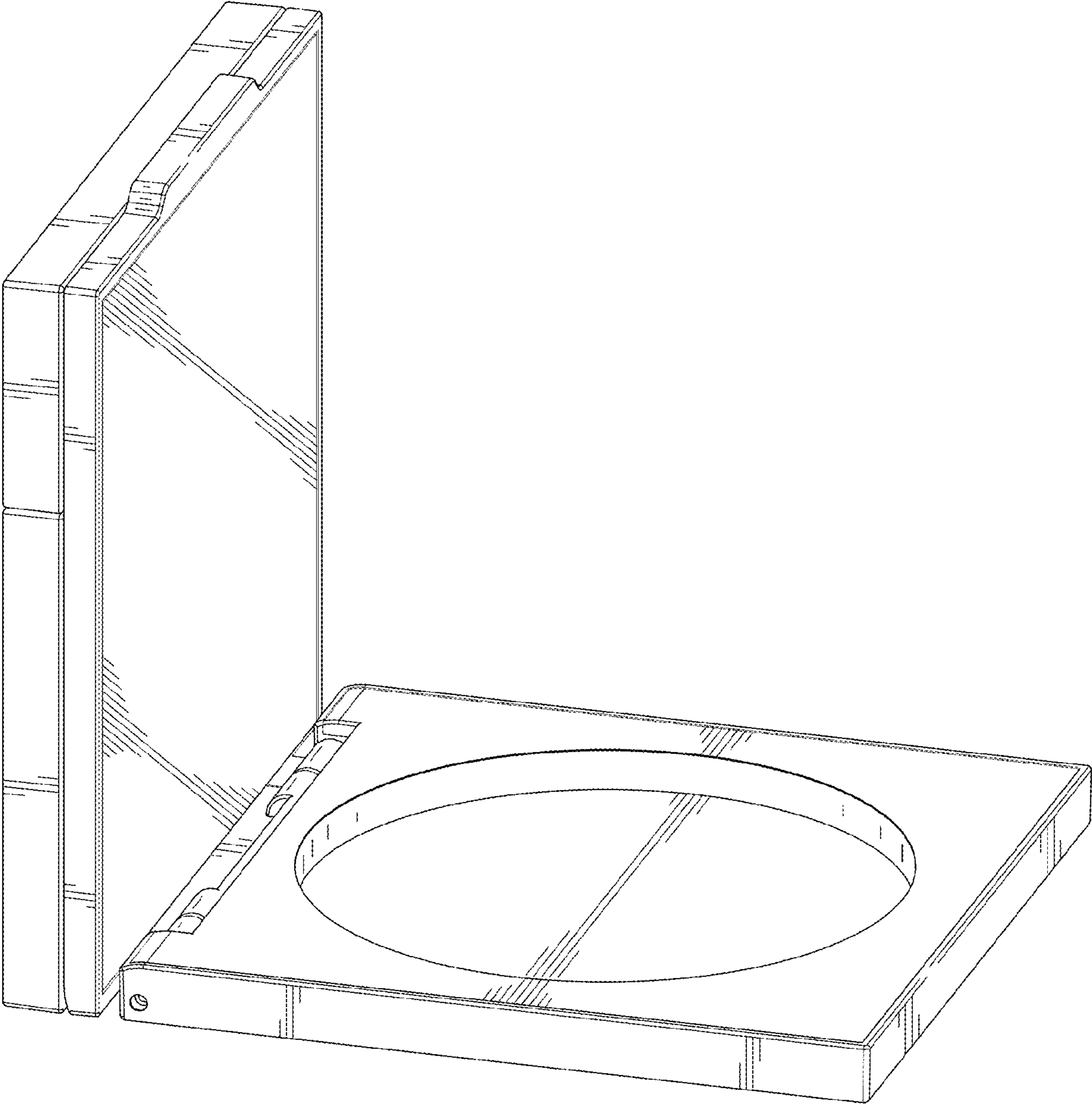


FIG. 11