



US00D965901S

(12) **United States Design Patent** (10) **Patent No.:** **US D965,901 S**
Hajiri (45) **Date of Patent:** **** Oct. 4, 2022**

(54) **MAKEUP ORGANIZER**

(71) Applicant: **Kamal Hajiri**, The Hague (NL)

(72) Inventor: **Kamal Hajiri**, The Hague (NL)

(**) Term: **15 Years**

(21) Appl. No.: **29/716,020**

(22) Filed: **Dec. 5, 2019**

(30) **Foreign Application Priority Data**

Jun. 6, 2019 (EM) 006565537

(51) **LOC (13) Cl.** **28-03**

(52) **U.S. Cl.**
USPC **D28/73; D6/674**

(58) **Field of Classification Search**
USPC D28/9, 10, 39-43, 56-62, 73, 76, 77, 99;
D2/925, 939, 941, 896-898;
D6/315-316, 672, 674, 682, 682.2;
D3/315, 317; D9/631, 737; D11/157;
D19/97

CPC ... A45D 8/00; A45D 8/20; A45D 8/24; A45D
8/28; A45D 8/30; A45D 8/32; A45D
8/34; A45D 29/00; A45D 29/29; A45D
29/18; A45D 2040/0012; B65D 85/00;
B65D 85/18; B65D 73/00; B65D 81/365;
B65D 81/366; B43M 99/008

See application file for complete search history.

(56) **References Cited**

U.S. PATENT DOCUMENTS

- 2,180,653 A * 11/1939 Yancey A63H 33/00
434/260
- D523,086 S * 6/2006 Jones D19/91
- D597,327 S * 8/2009 Vample D6/350
- D715,034 S * 10/2014 Louboutin D2/940
- D741,627 S * 10/2015 Stewart D6/674
- D748,934 S * 2/2016 Arrington-Brown D6/674

- D772,544 S * 11/2016 Slimane D2/939
- D863,740 S * 10/2019 Takabu D2/939
- D873,058 S * 1/2020 Hajiri D6/682.2
- D884,277 S * 5/2020 Gebicki D28/61
- 2006/0289324 A1* 12/2006 Jones B43M 99/008
206/457
- 2006/0289365 A1* 12/2006 Jones B43M 99/00
211/11

(Continued)

OTHER PUBLICATIONS

Butterfly Brush Holder Shoe, Echomrx, reviewed on Nov. 9, 2013, retrieved on Mar. 8, 2021, retrieved from the Internet URL: <https://www.amazon.com/dp/B009TNY4E2>.*

Primary Examiner — Alison M Ofstun

(57) **CLAIM**

The ornamental design for a makeup organizer, as shown and described.

DESCRIPTION

FIG. 1 is a front perspective view of the makeup organizer, showing my new design.

FIG. 2 is a top plan view of the makeup organizer;

FIG. 3 is a front elevation view of the makeup organizer;

FIG. 4 is a right side elevation view of the makeup organizer;

FIG. 5 is a left side elevation view of the makeup organizer;

FIG. 6 is a back perspective view of the makeup organizer;

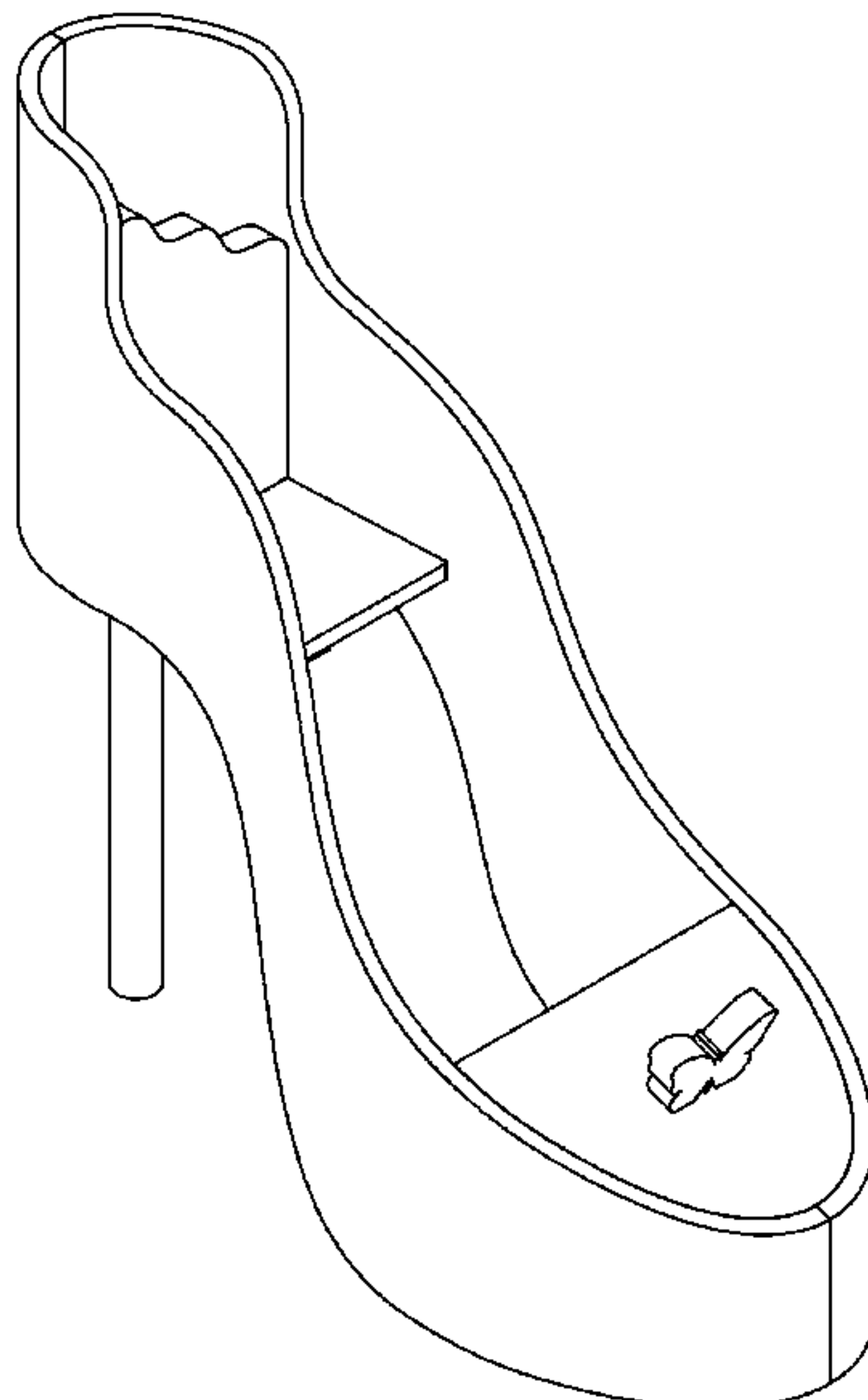
FIG. 7 is a front perspective view of the makeup organizer, shown in an open configuration;

FIG. 8 is a cross-sectional view of FIG. 2, taken along lines 08-08;

FIG. 9 is a cross-sectional view of FIG. 3, taken along lines 09-09; and,

FIG. 10 is a cross-sectional view of FIG. 3, taken along lines 10-10.

1 Claim, 10 Drawing Sheets



(56)

References Cited

U.S. PATENT DOCUMENTS

2006/0289366 A1* 12/2006 Jones B44C 5/00
211/11
2009/0007459 A1* 1/2009 Barnett A43B 3/0031
36/136
2017/0360147 A1* 12/2017 Zake A43B 7/141

* cited by examiner

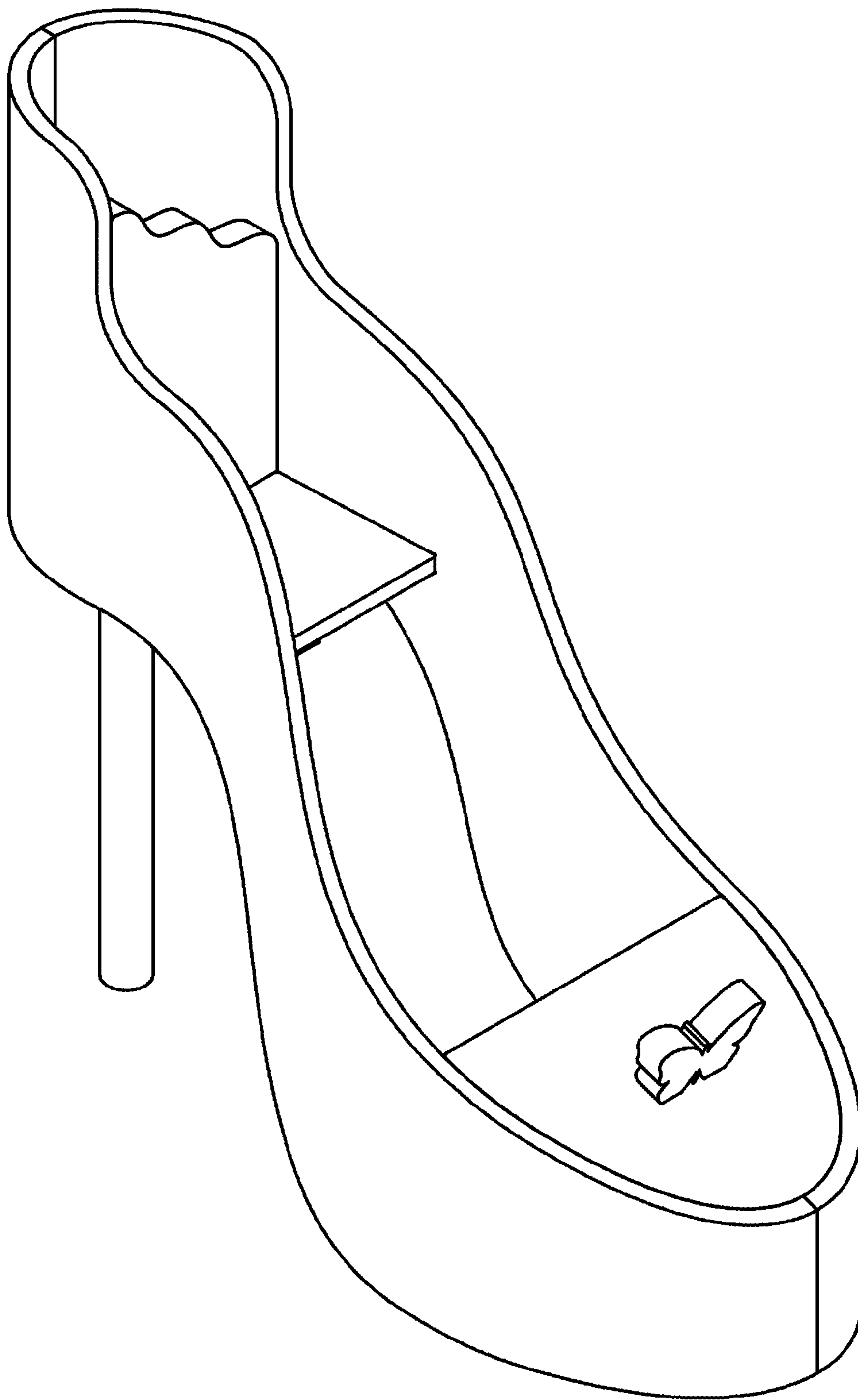


FIG. 01

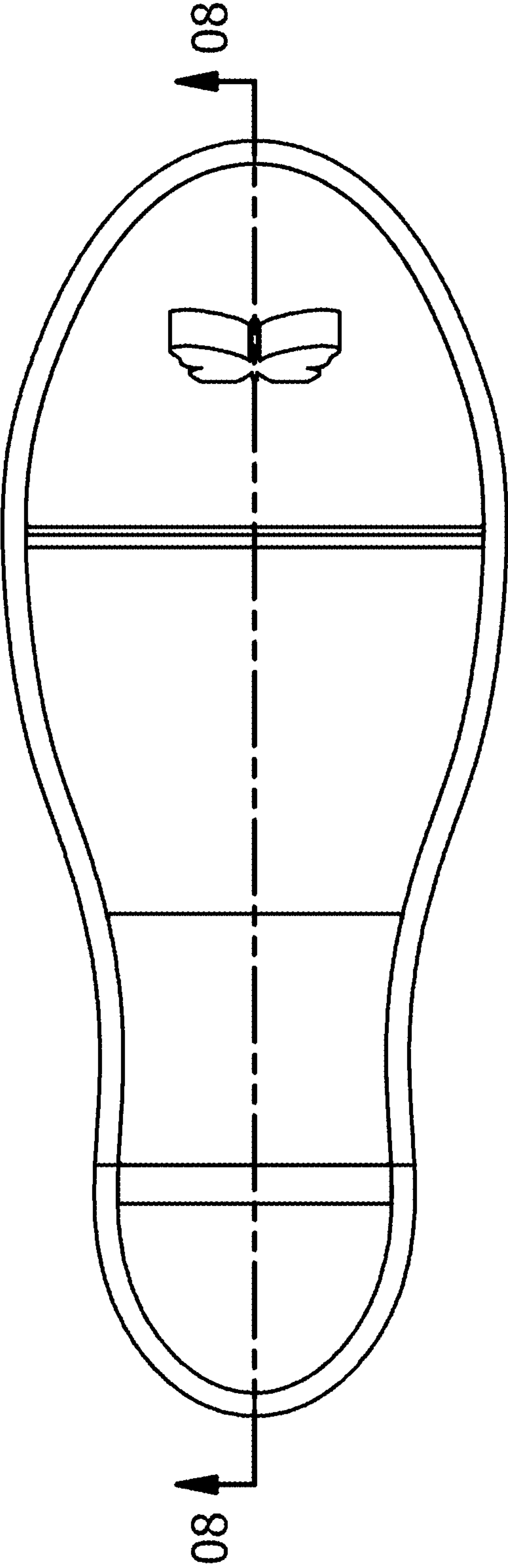


FIG. 02

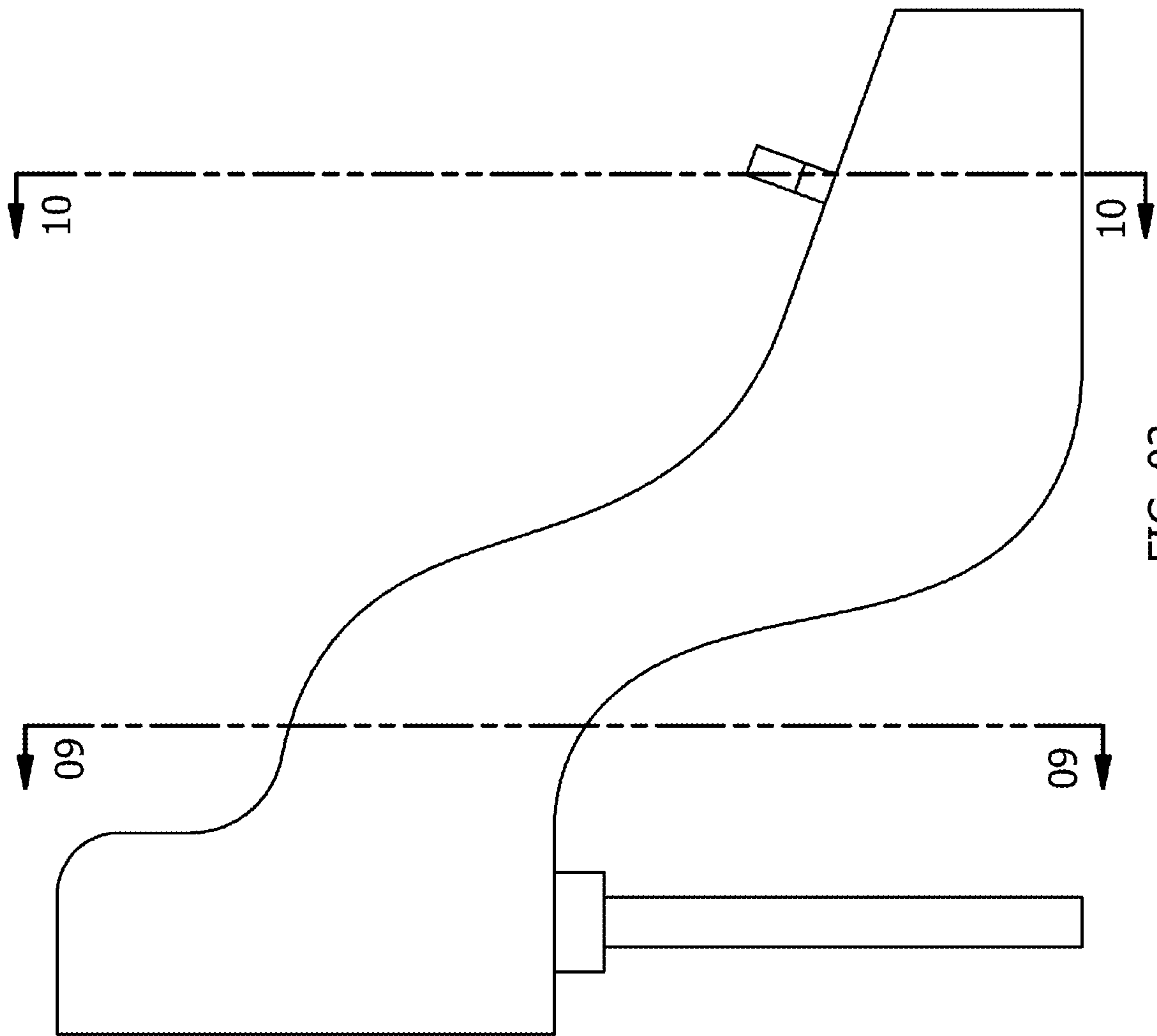


FIG. 03

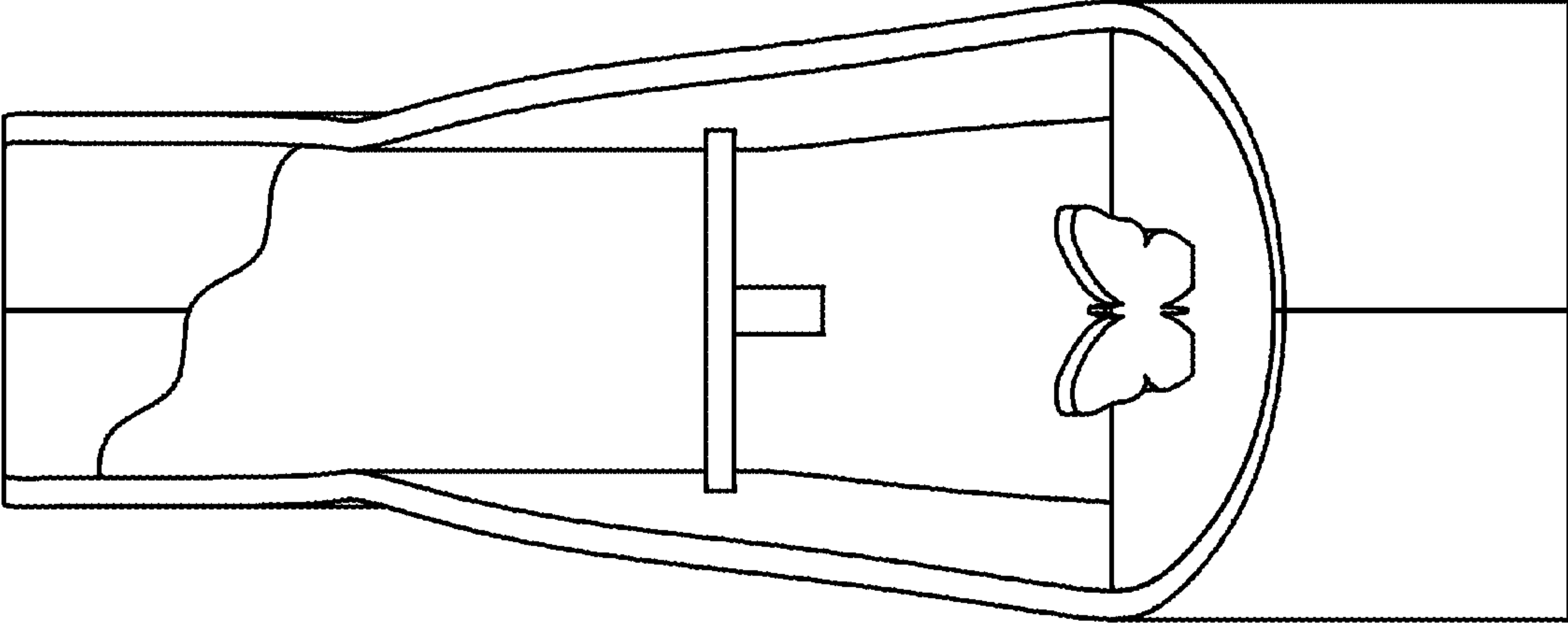


FIG. 04

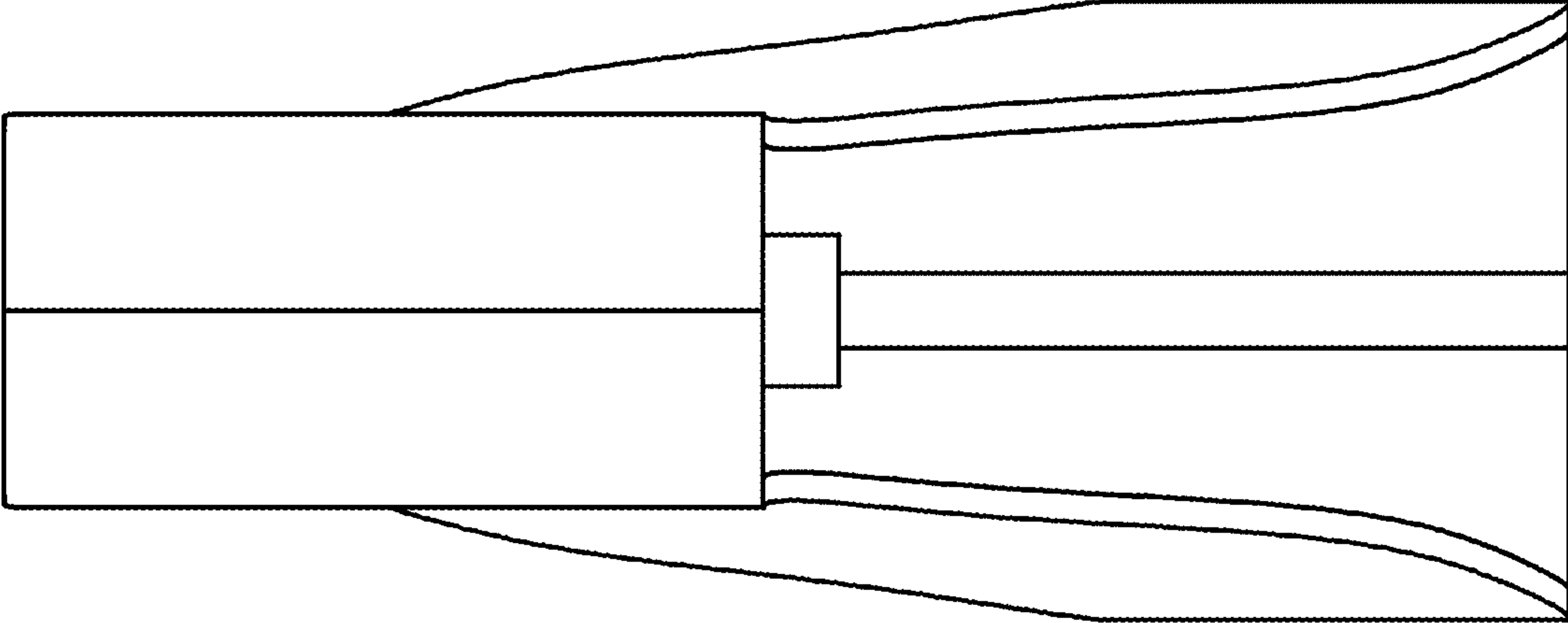


FIG. 05

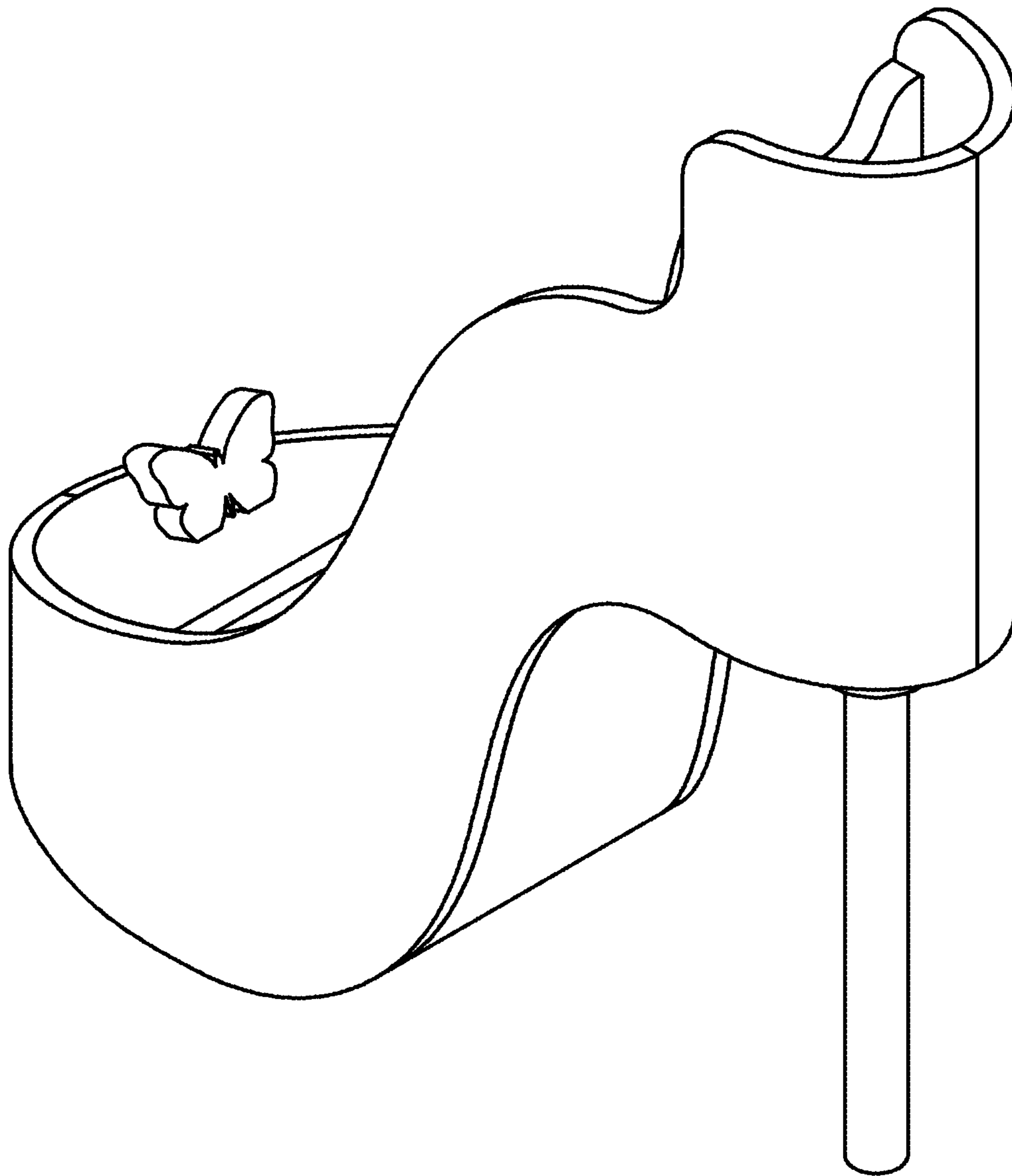


FIG. 06



FIG. 07

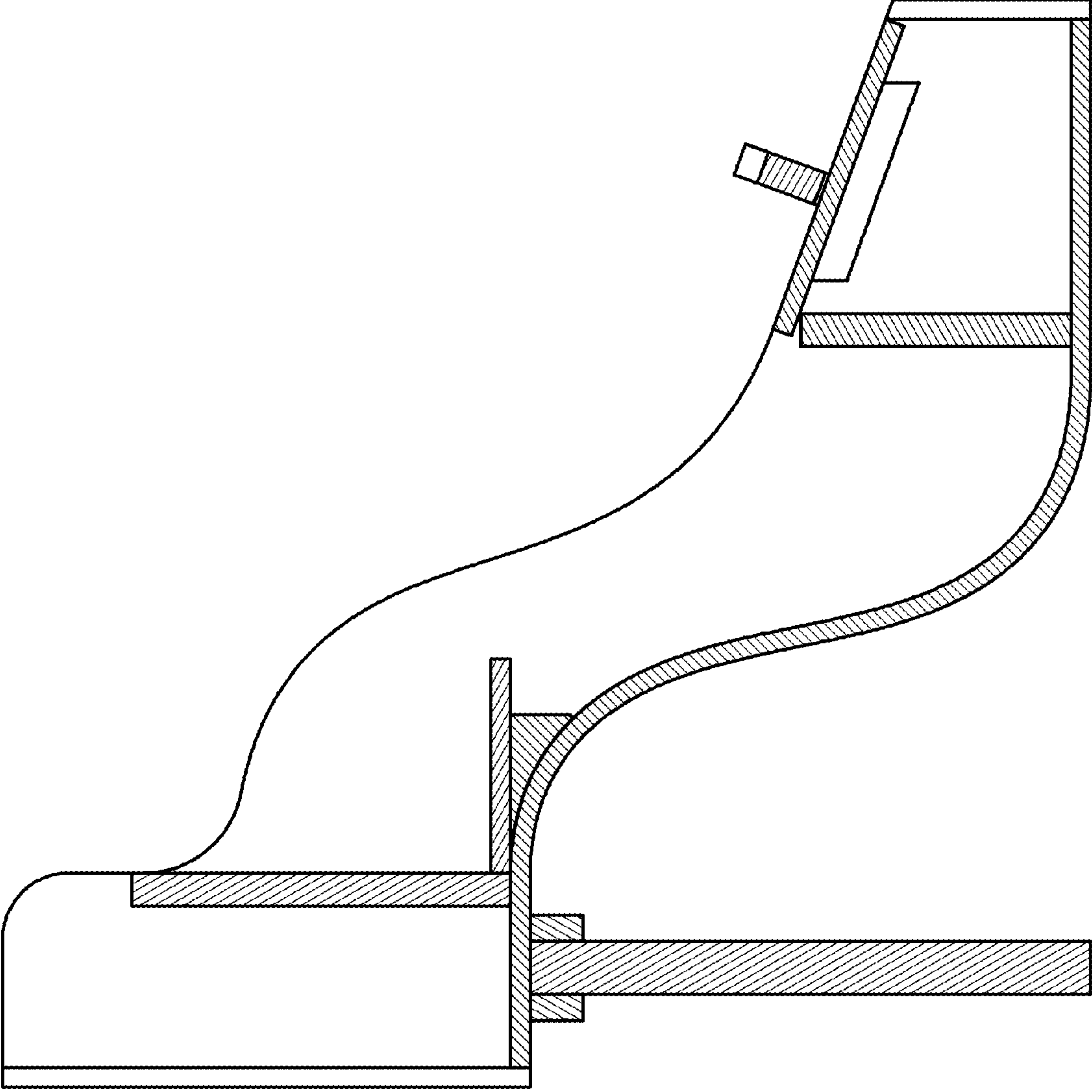


FIG. 08

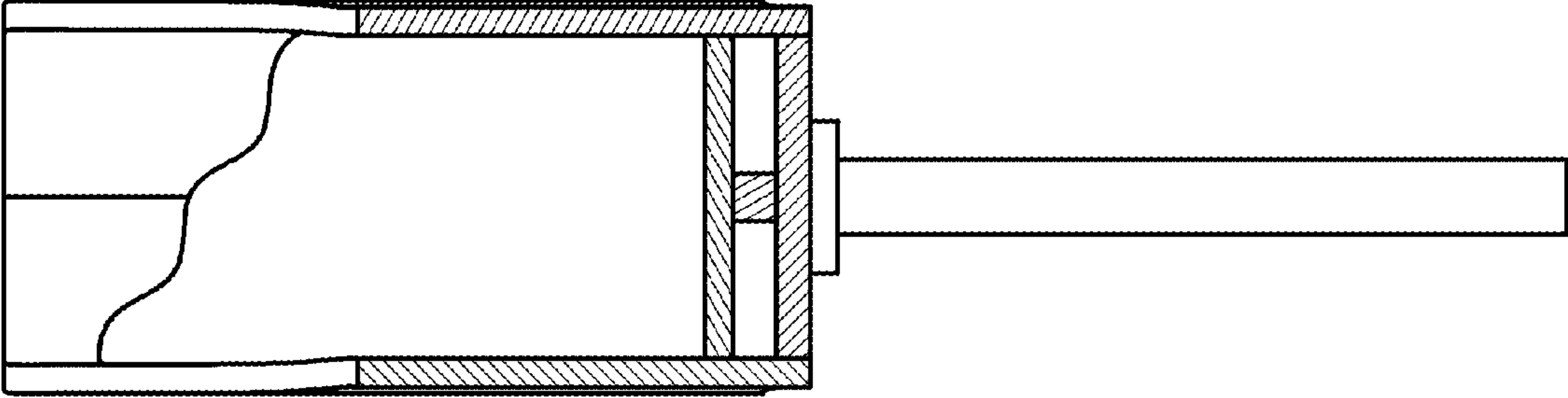


FIG. 09

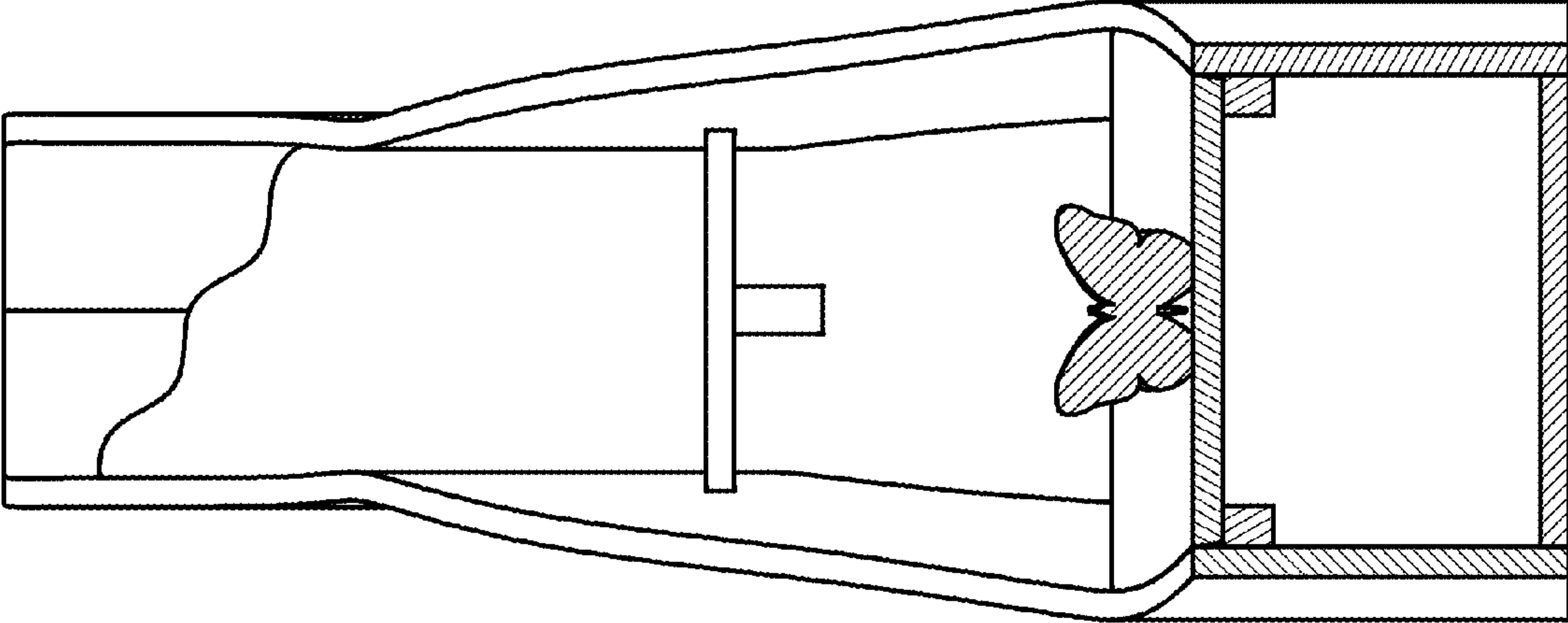


FIG. 10