



US00D965897S

(12) **United States Design Patent** (10) **Patent No.:** **US D965,897 S**
Ma et al. (45) **Date of Patent:** **** Oct. 4, 2022**

(54) **ATTACHMENT COMB FOR HAIR CUTTING APPLIANCE**

(71) Applicant: **WAHL CLIPPER CORPORATION**,
Sterling, IL (US)

(72) Inventors: **Yingchang Ma**, Zhejiang (CN); **Chao Yang**, Zhejiang (CN); **Tangwen Xu**, Zhejiang (CN); **Chenglu Huang**, Sterling, IL (US); **George William Gassman**, Dunlap, IL (US); **Chad Aulwes**, Sterling, IL (US)

(73) Assignee: **WAHL CLIPPER CORPORATION**,
Sterling, IL (US)

(**) Term: **15 Years**

(21) Appl. No.: **29/747,958**

(22) Filed: **Aug. 26, 2020**

(51) **LOC (13) Cl.** **28-03**

(52) **U.S. Cl.**
USPC **D28/54**

(58) **Field of Classification Search**
USPC D28/10, 21, 44-47, 51-54; D30/158, D30/159; D4/116, 136
CPC B26B 19/00; B26B 19/02; B26B 19/04; B26B 19/06; B26B 19/10; B26B 19/20; B26B 19/22; B26B 19/38; B26B 19/3806; B26B 21/00; B26B 21/22; B26B 21/40; B26B 21/4012; B26B 21/4018
See application file for complete search history.

(56) **References Cited**

U.S. PATENT DOCUMENTS

D286,454 S 10/1986 Stephens
5,937,526 A 8/1999 Wahl et al.

6,079,103 A 6/2000 Melton et al.
D559,456 S 1/2008 Melton et al.
D565,793 S 4/2008 Wallace
7,918,029 B2 4/2011 Melton et al.
8,528,216 B2 9/2013 Melton et al.
D748,862 S 2/2016 Aulwes et al.
D813,459 S * 3/2018 Sinnott D28/54
10,016,903 B2 7/2018 McCambridge et al.
10,293,500 B1 * 5/2019 Baker B26B 19/22
10,377,049 B2 * 8/2019 Whittaker B26B 19/3813
D888,336 S * 6/2020 Zoot D28/34
D888,337 S * 6/2020 Zoot D28/34
D941,528 S * 1/2022 Zoot B26B 19/20
2008/0005908 A1 * 1/2008 Melton A45D 24/36
30/233.5
2008/0072437 A1 * 3/2008 Michel B26B 19/20
30/201
2011/0061243 A1 * 3/2011 Smit B26B 19/20
30/233.5

(Continued)

Primary Examiner — Alison M Ofstun

(74) *Attorney, Agent, or Firm* — Greer, Burns & Crain, Ltd

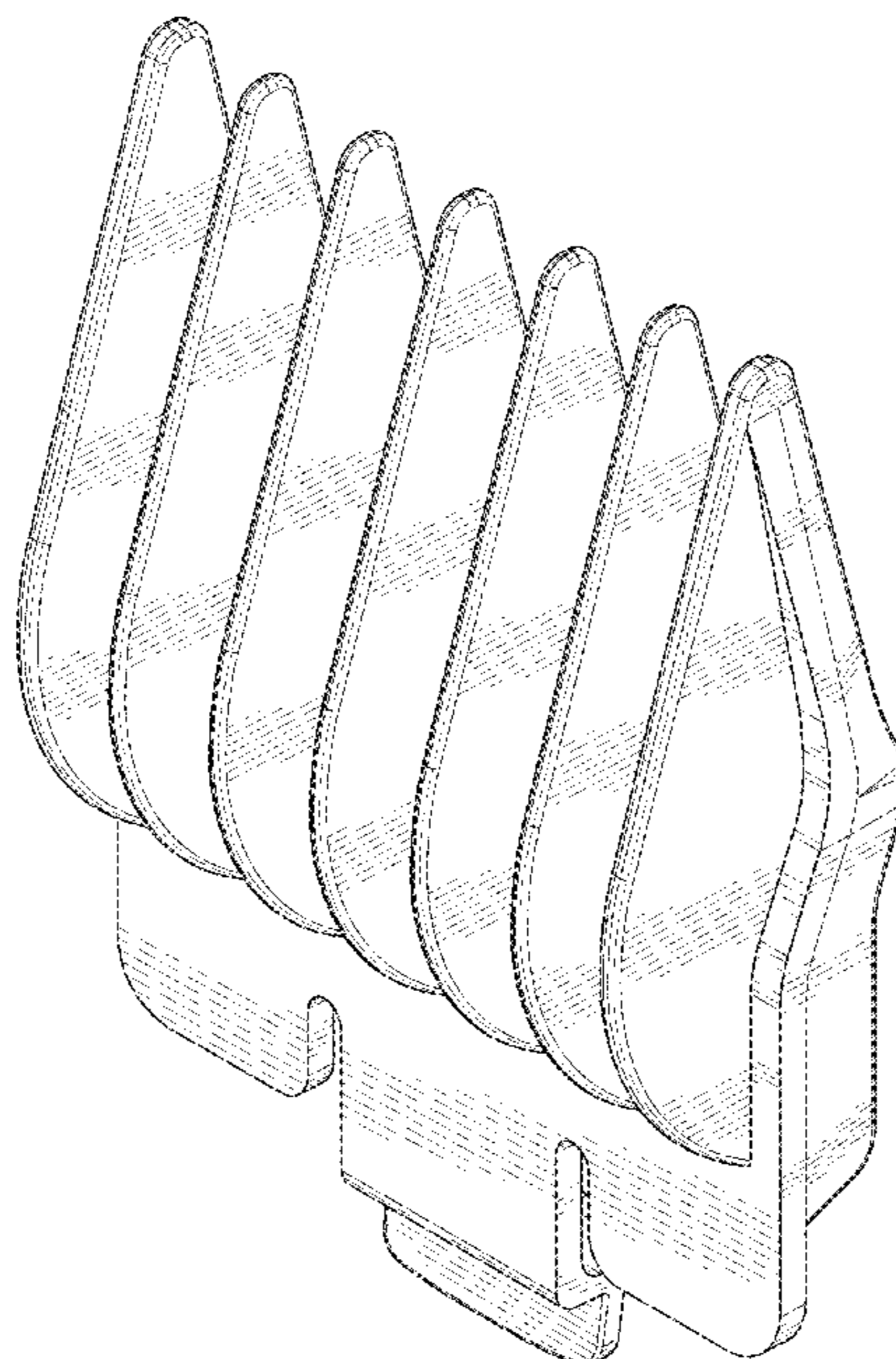
(57) **CLAIM**

The ornamental design for an attachment comb for hair cutting appliance, as shown and described.

DESCRIPTION

FIG. 1 is a top perspective view of an attachment comb for hair cutting appliance, showing our new design; FIG. 2 is a left side view of the attachment comb of FIG. 1; FIG. 3 is a right side view of the present attachment comb; FIG. 4 is a top view of the present attachment comb; FIG. 5 is a bottom view of the attachment comb of FIG. 1; FIG. 6 is a front view of the attachment comb of FIG. 1; and, FIG. 7 is a rear view of the attachment comb of FIG. 1.

1 Claim, 5 Drawing Sheets



(56)

References Cited

U.S. PATENT DOCUMENTS

2017/0217031 A1* 8/2017 Bellisario B26B 19/20
2017/0266823 A1* 9/2017 Whittaker B26B 19/20

* cited by examiner

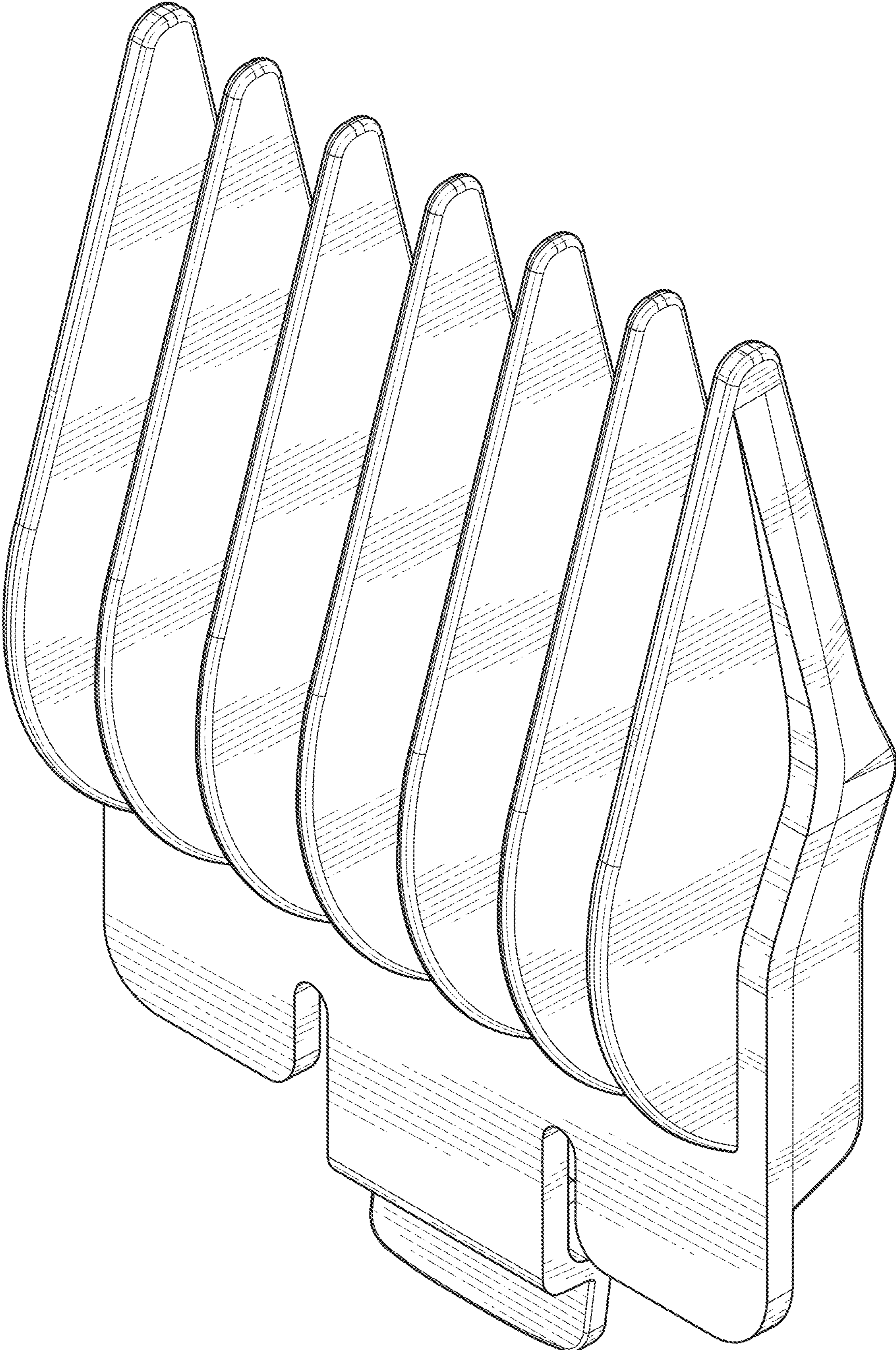


FIG. 1

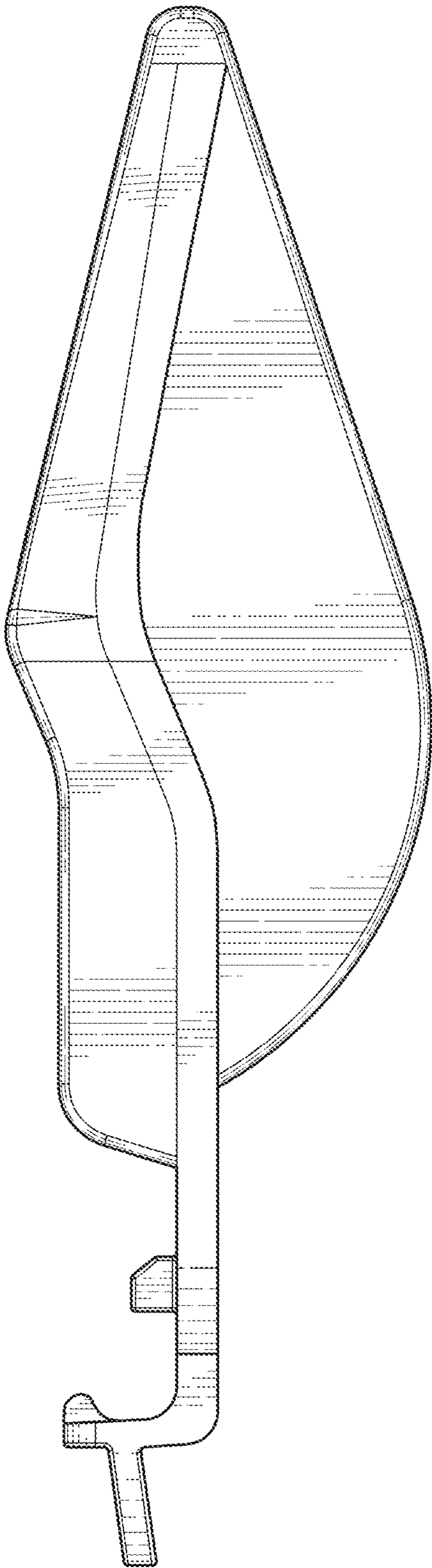


FIG. 2

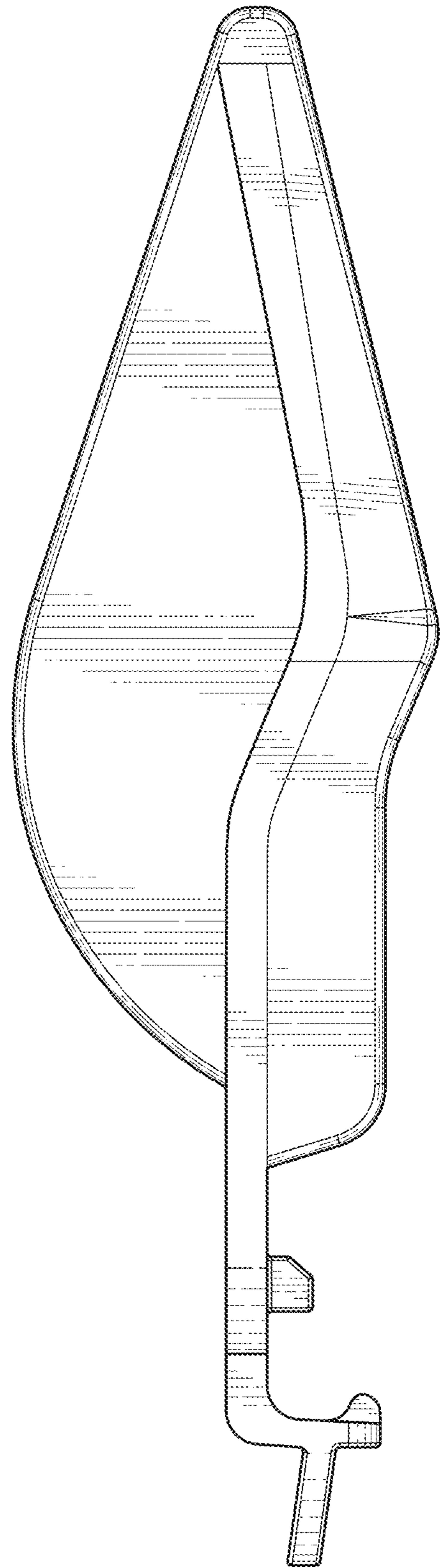


FIG. 3

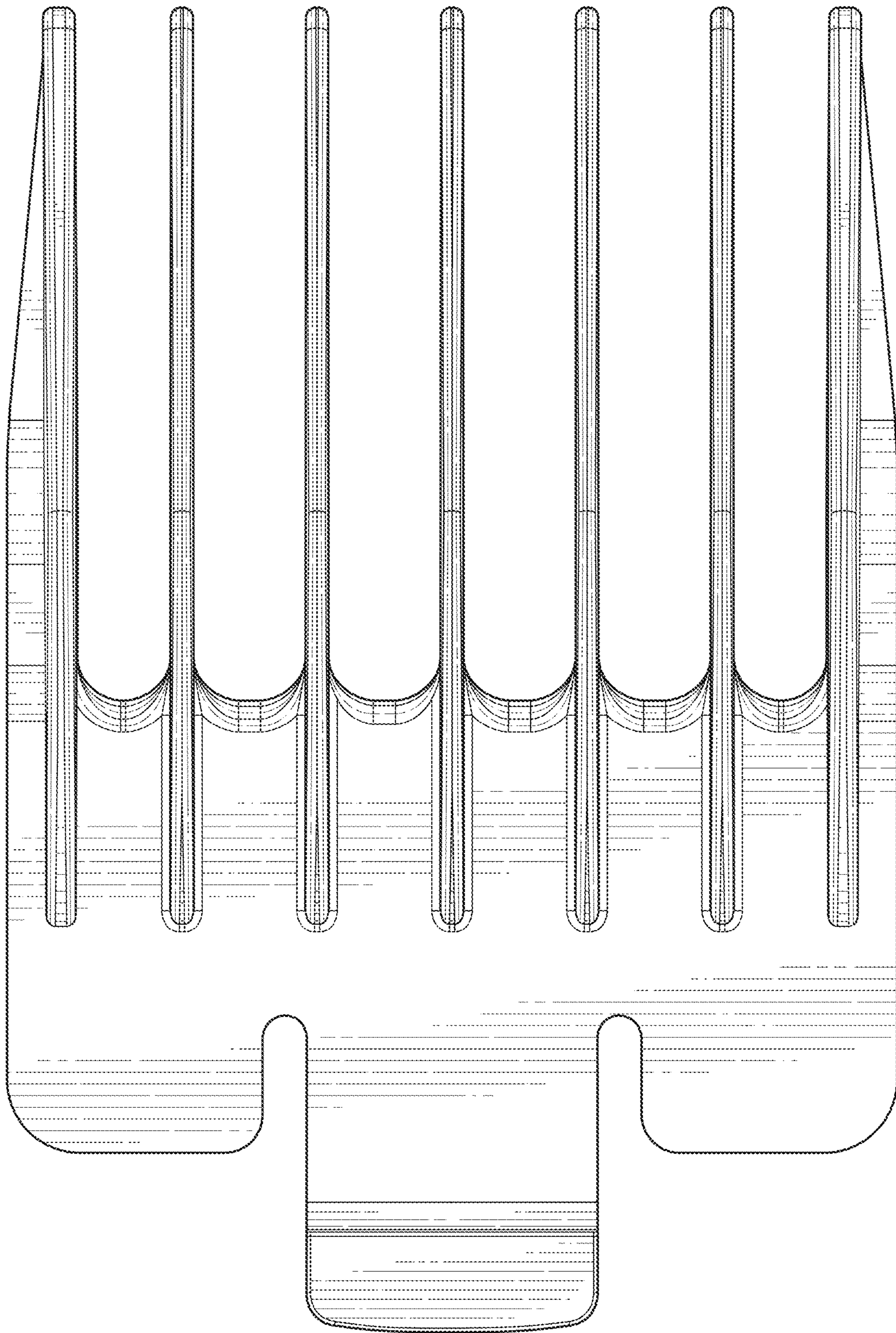


FIG. 4

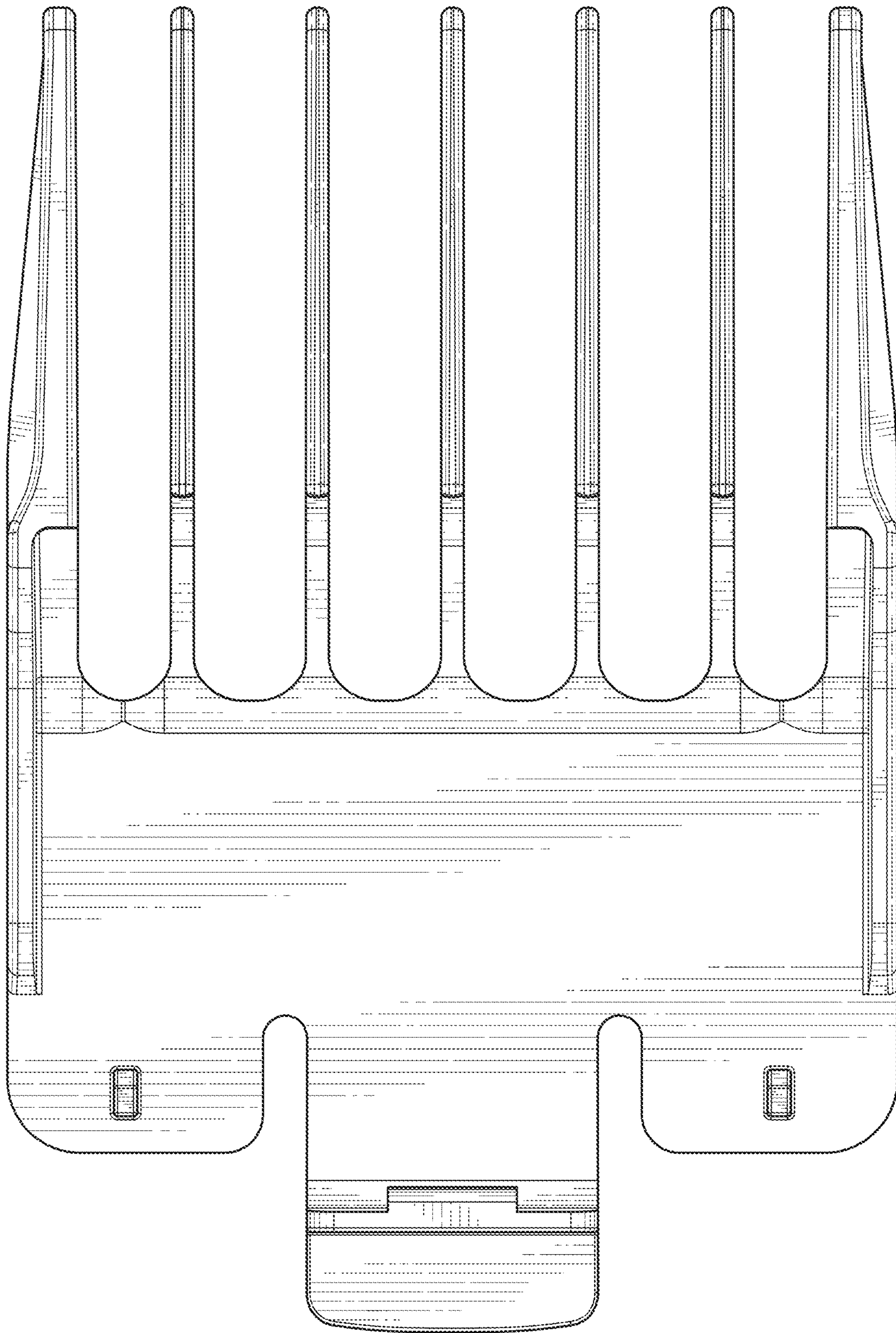


FIG. 5

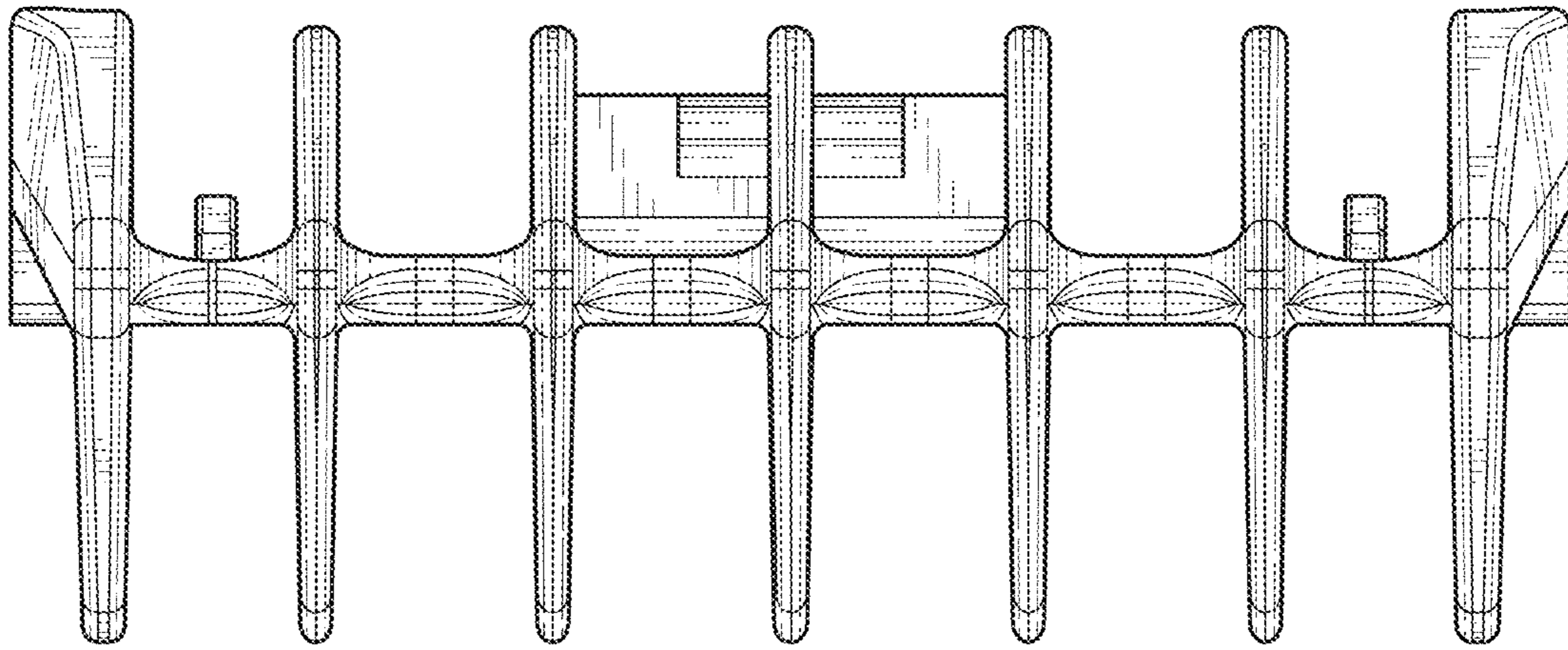


FIG. 6

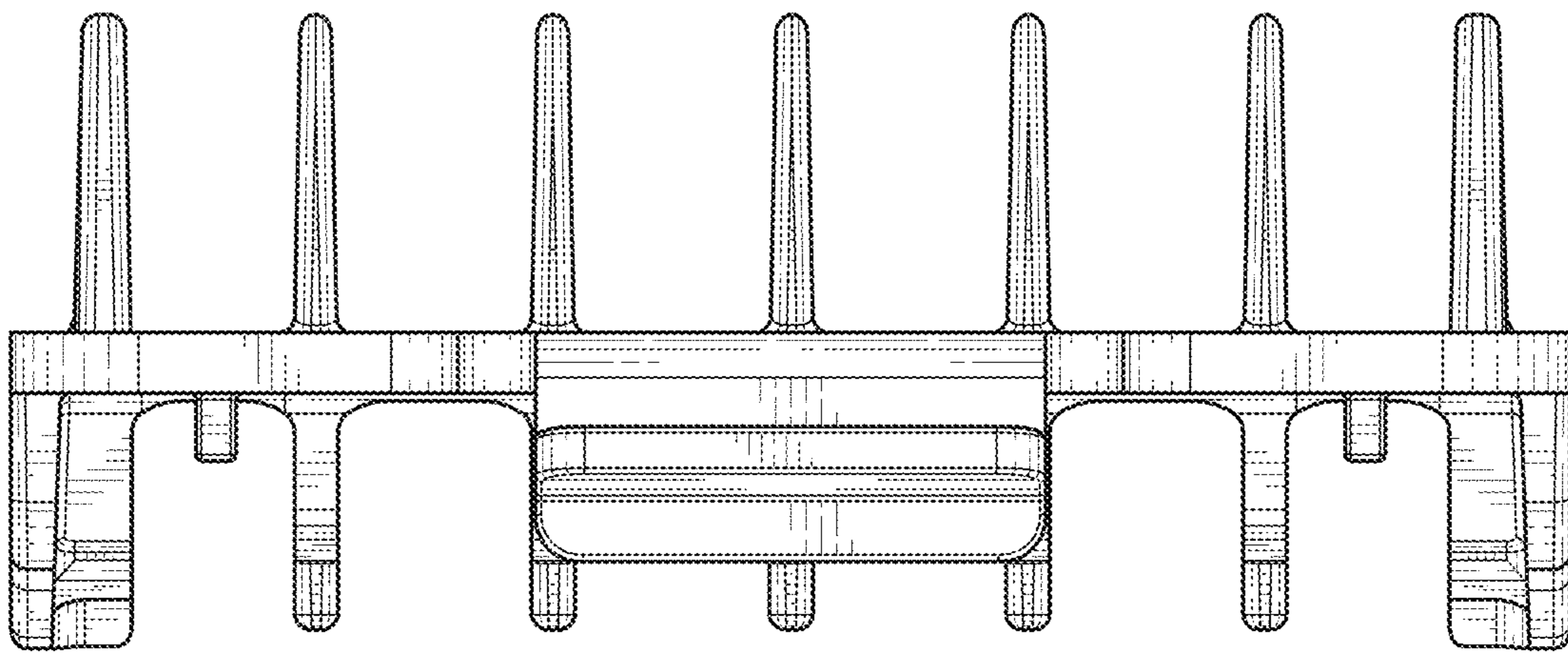


FIG. 7