



US00D965896S

(12) **United States Design Patent**
Chen

(10) **Patent No.:** **US D965,896 S**

(45) **Date of Patent:** **** Oct. 4, 2022**

(54) **HAIR CLIPPER**

(71) Applicant: **Xiaoyan Chen**, Longgang Town (CN)

(72) Inventor: **Xiaoyan Chen**, Longgang Town (CN)

(**) Term: **15 Years**

(21) Appl. No.: **29/757,681**

(22) Filed: **Nov. 9, 2020**

(51) **LOC (13) Cl.** **28-03**

(52) **U.S. Cl.**
USPC **D28/53**

(58) **Field of Classification Search**
USPC D28/45-54; D30/158
CPC B26B 19/00; B26B 19/02; B26B 19/04;
B26B 19/06; B26B 19/10; B26B 19/30;
B26B 19/38; B26B 19/3853; B26B
19/3873
See application file for complete search history.

(56) **References Cited**

U.S. PATENT DOCUMENTS

D577,864 S *	9/2008	Kitagawa	D28/53
D604,907 S *	11/2009	Emminger	D28/53
D695,964 S *	12/2013	Salagnac	D28/53
D947,453 S *	3/2022	Cai	D28/53
2009/0056143 A1 *	3/2009	Fukutani	B26B 19/06 30/42
2009/0320296 A1 *	12/2009	Morisugi	B26B 19/3846 30/45
2013/0192068 A1 *	8/2013	Kammer	B65D 75/36 206/356
2014/0115901 A1 *	5/2014	Liao	B26B 19/06 30/208

2016/0279813 A1 *	9/2016	Buck, Jr.	B26B 19/205
2016/0325443 A1 *	11/2016	Wevers	B26B 19/20
2021/0008738 A1 *	1/2021	Sterzi	B26B 19/04

OTHER PUBLICATIONS

Hatteker Beard Trimmer, Hatteker, first available on Jun. 30, 2021 on amazon.co.uk, retrieved on May 16, 2022, retrieved from the Internet URL: https://www.amazon.co.uk/Hatteker-Precision-Multigroom-Waterproof-Rechargeable/dp/B0989RFQFN/ref=sr_1_63?crd=2DLSTGGR49T5X&keywords=beard+trimmer&qid=1652474277&srefix=beard+.*

* cited by examiner

Primary Examiner — Alison M Ofstun

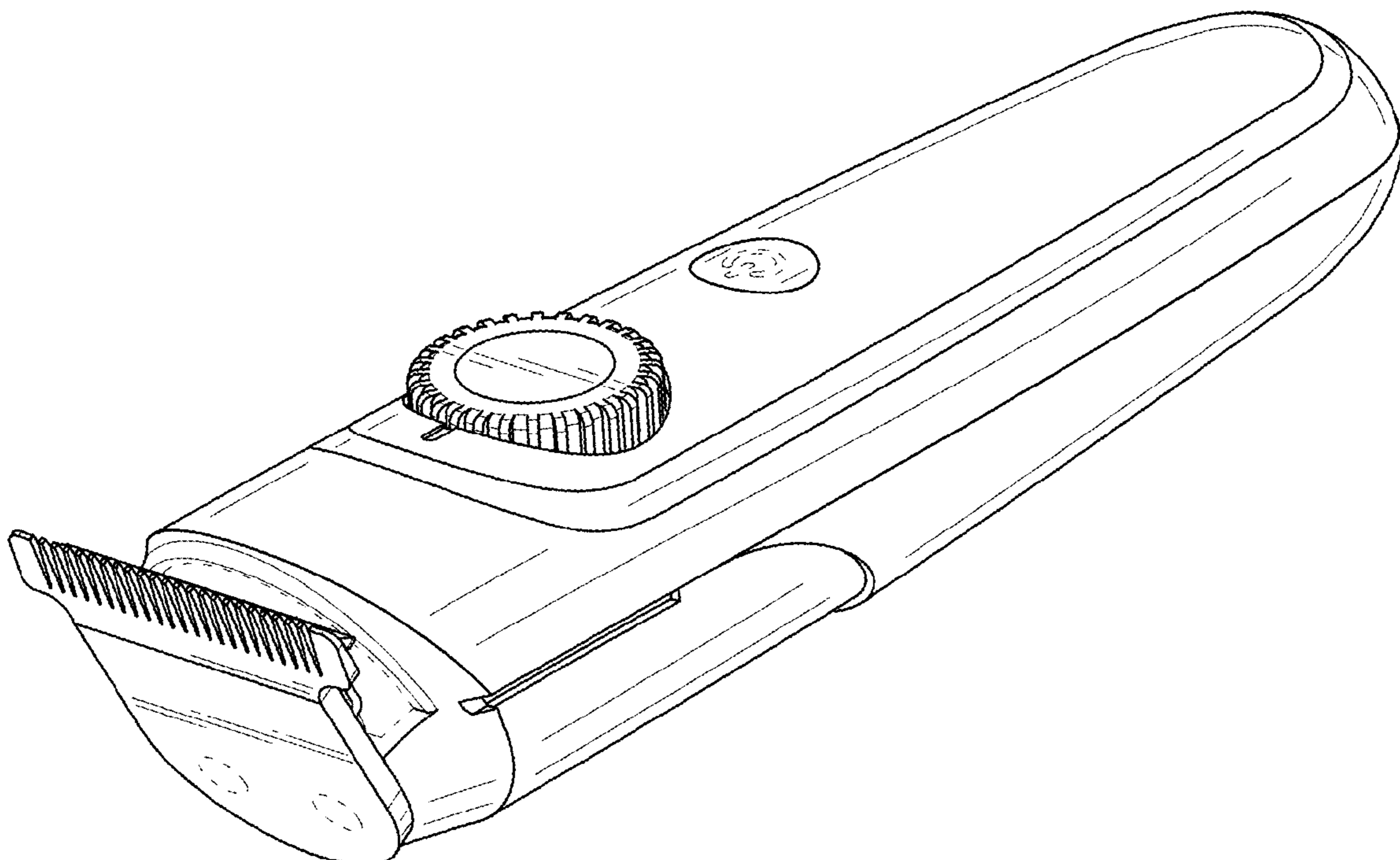
(57) **CLAIM**

The ornamental design for a hair clipper, as shown and described.

DESCRIPTION

FIG. 1 is a front, left side, top perspective view of a hair clipper showing my new design; FIG. 2 is a front elevational view thereof; FIG. 3 is a rear elevational view thereof; FIG. 4 is a left side elevational view thereof; FIG. 5 is a right side elevational view thereof; FIG. 6 is a top plan view thereof; and, FIG. 7 is a bottom plan view thereof. The broken lines depict portions of the hair clipper that form no part of the claimed design.

1 Claim, 6 Drawing Sheets



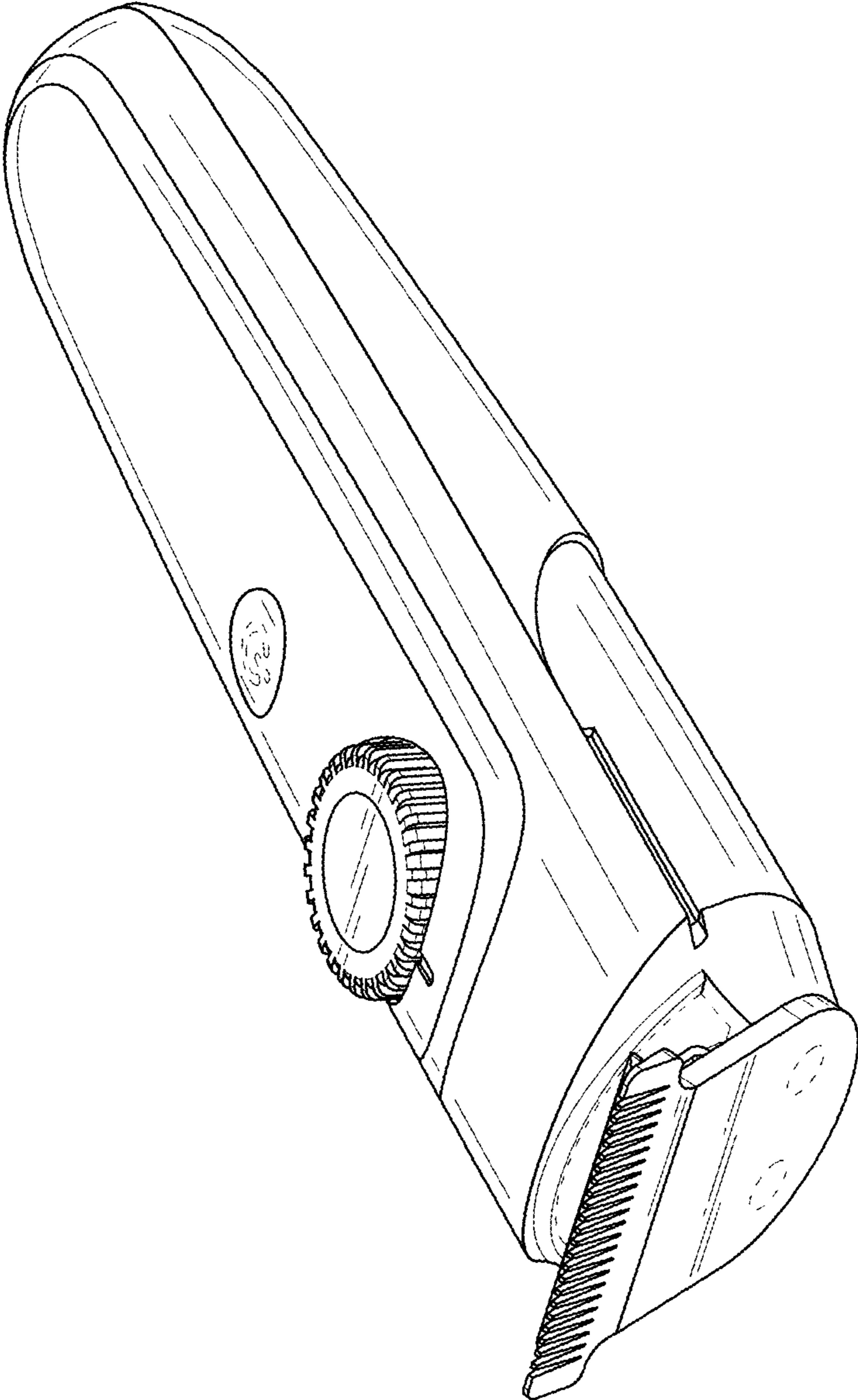


FIG.1

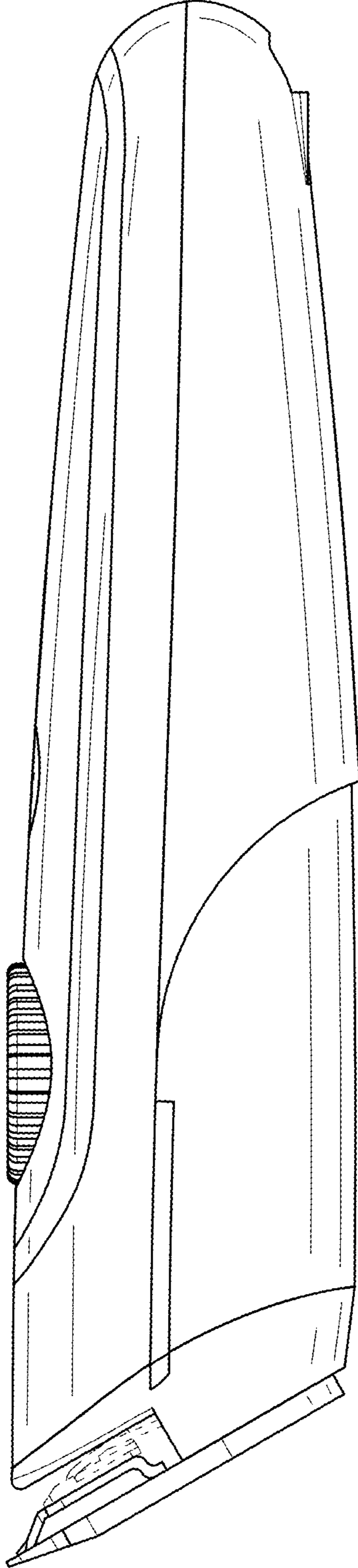


FIG. 2

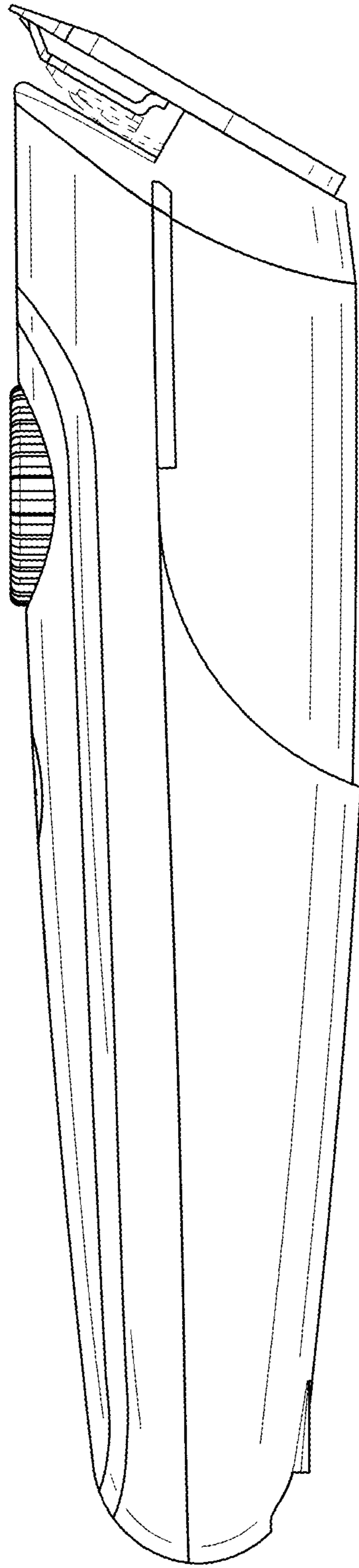


FIG. 3

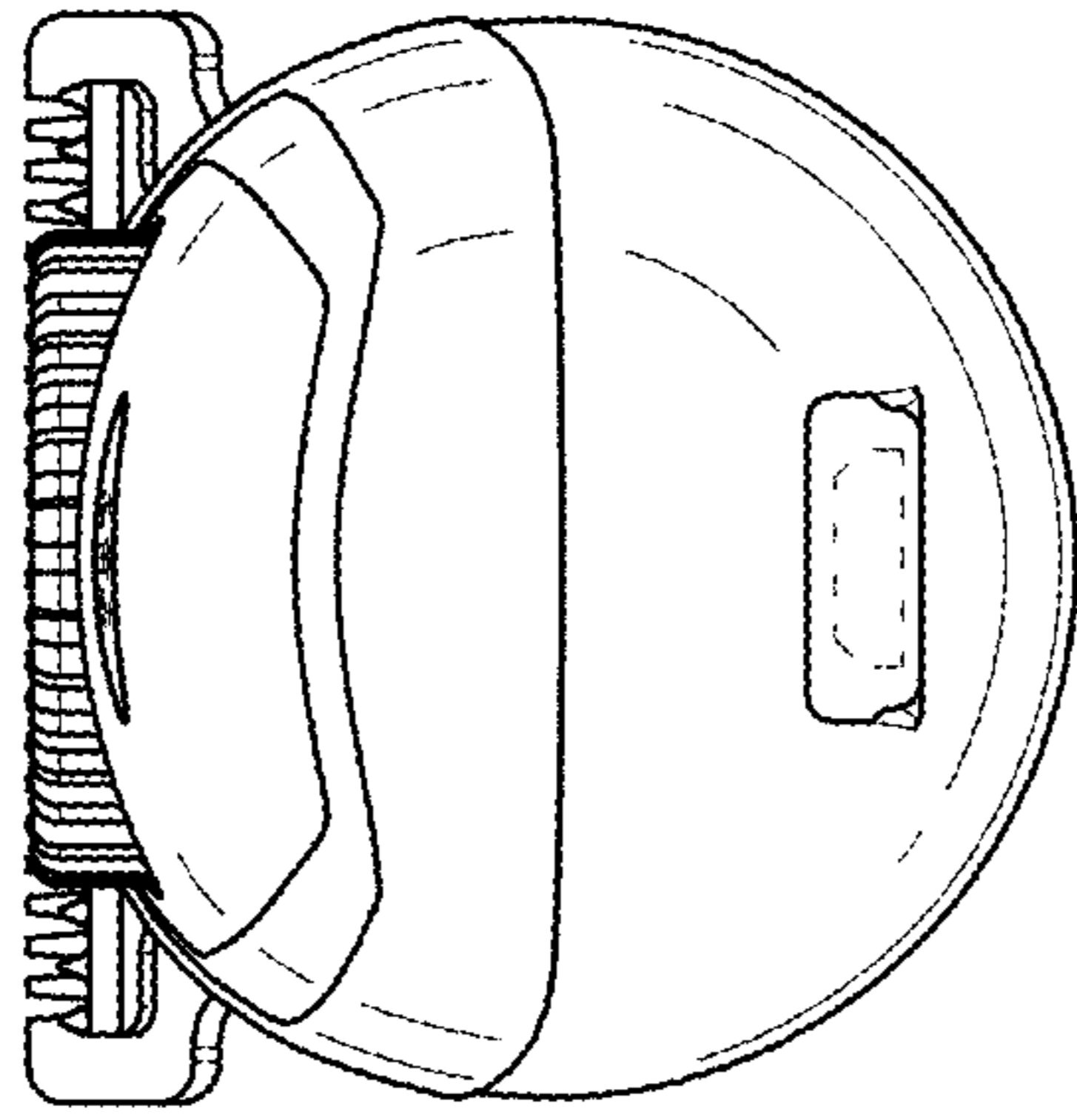


FIG.5

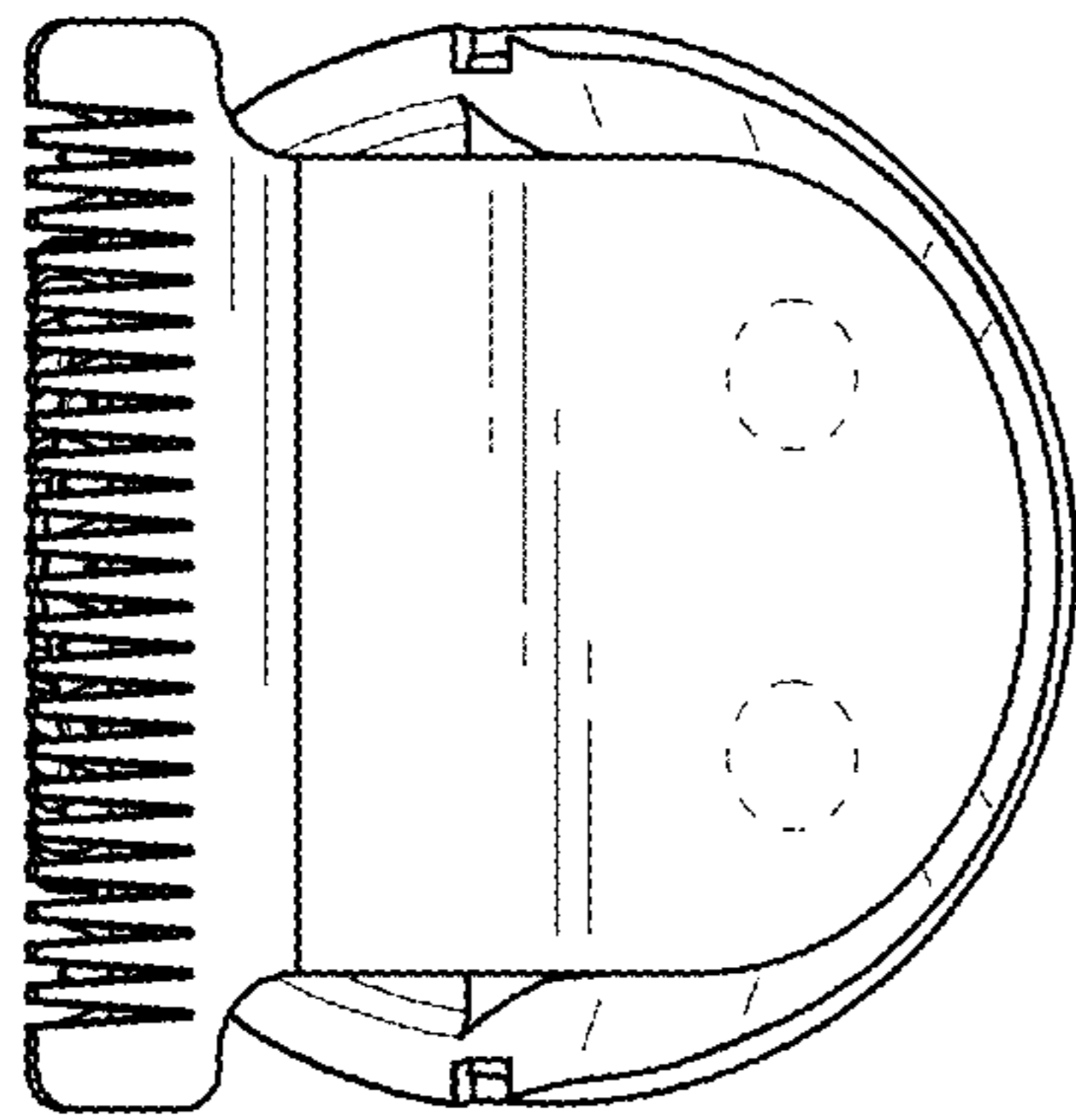


FIG.4

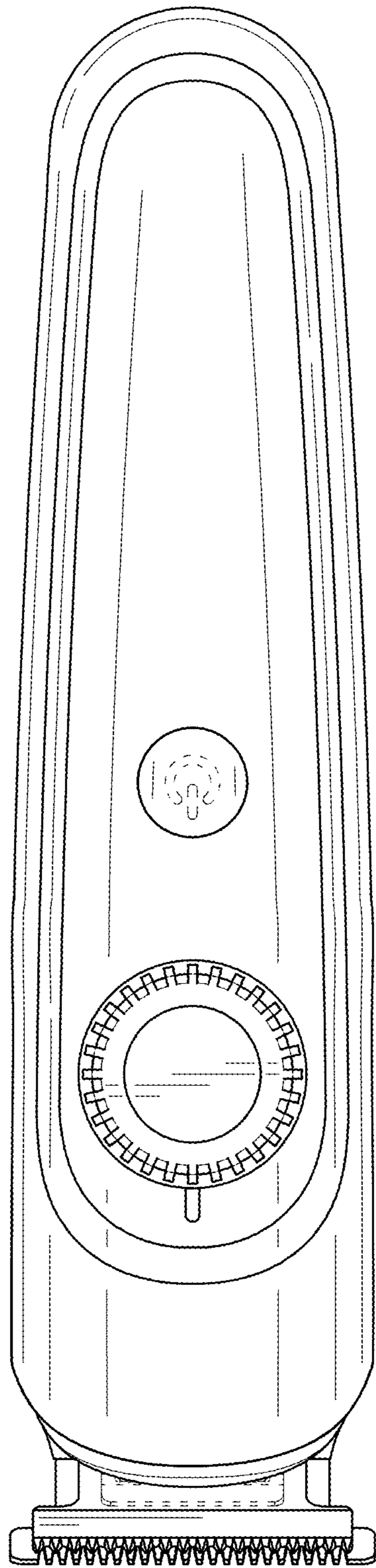


FIG.6

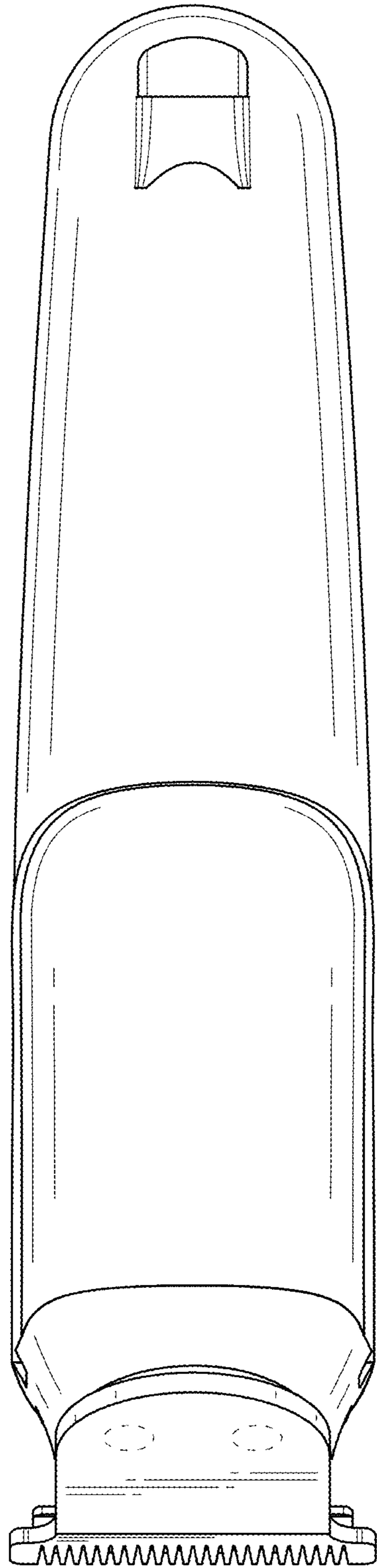


FIG. 7