



US00D965894S

(12) **United States Design Patent**
Werner

(10) **Patent No.:** **US D965,894 S**
(45) **Date of Patent:** **** Oct. 4, 2022**

- (54) **HAIR TRIMMER**
- (71) Applicant: **Andis Company**, Sturtevant, WI (US)
- (72) Inventor: **Edwin A. Werner**, Union Grove, WI (US)
- (73) Assignee: **Andis Company**, Sturtevant, WI (US)
- (**) Term: **15 Years**
- (21) Appl. No.: **29/745,503**
- (22) Filed: **Aug. 6, 2020**

9,108,327 B1	8/2015	Brooks	
D749,786 S	2/2016	Werner	
D784,618 S	4/2017	Mori et al.	
10,137,581 B2	11/2018	Werner	
D851,834 S	6/2019	Peterson et al.	
D851,835 S	6/2019	Gross	
D852,419 S *	6/2019	Mori	D28/53
D854,747 S *	7/2019	Kimchi	D28/53
D866,859 S	11/2019	Chen	
D872,366 S *	1/2020	Cociffi	D28/53

(Continued)

Related U.S. Application Data

- (62) Division of application No. 29/644,277, filed on Apr. 16, 2018, now Pat. No. Des. 895,898.
- (51) **LOC (13) Cl.** **28-03**
- (52) **U.S. Cl.**
USPC **D28/53**
- (58) **Field of Classification Search**
USPC D28/49-54; D30/159
CPC B26B 19/00; B26B 19/04; B26B 19/06;
B26B 19/10; B26B 19/18; B26B 19/38
See application file for complete search history.

(56) **References Cited**

U.S. PATENT DOCUMENTS

3,589,007 A	6/1971	Walton	
D387,487 S *	12/1997	Sulik	D28/53
6,571,478 B1 *	6/2003	Romani	B26B 19/44 30/132
D577,864 S	9/2008	Kitagawa et al.	
D600,409 S	9/2009	Klein	
D606,259 S	12/2009	Emminger	
D623,354 S *	9/2010	Schwer	D28/53
D695,964 S	12/2013	Salagnac	
D720,887 S	1/2015	Gross	
D720,888 S	1/2015	Colle	
D722,200 S	2/2015	Nitsch	

OTHER PUBLICATIONS

Andis 74000 Professional Cordless T-Outlines Beard Hair Trimmer, reviewed on Mar. 2, 2018 on amazon.com, retrieved on Jan. 28, 2022, retrieved from the Internet URL: https://www.amazon.com/Andis-Cordless-T-Outliner-Trimmer/dp/B07B2XR1P4/ref=psdc_7706130011_t2_B000143C0K.*

(Continued)

Primary Examiner — Alison M Ofstun

(74) *Attorney, Agent, or Firm* — Reinhart Boerner Van Deuren s.c.

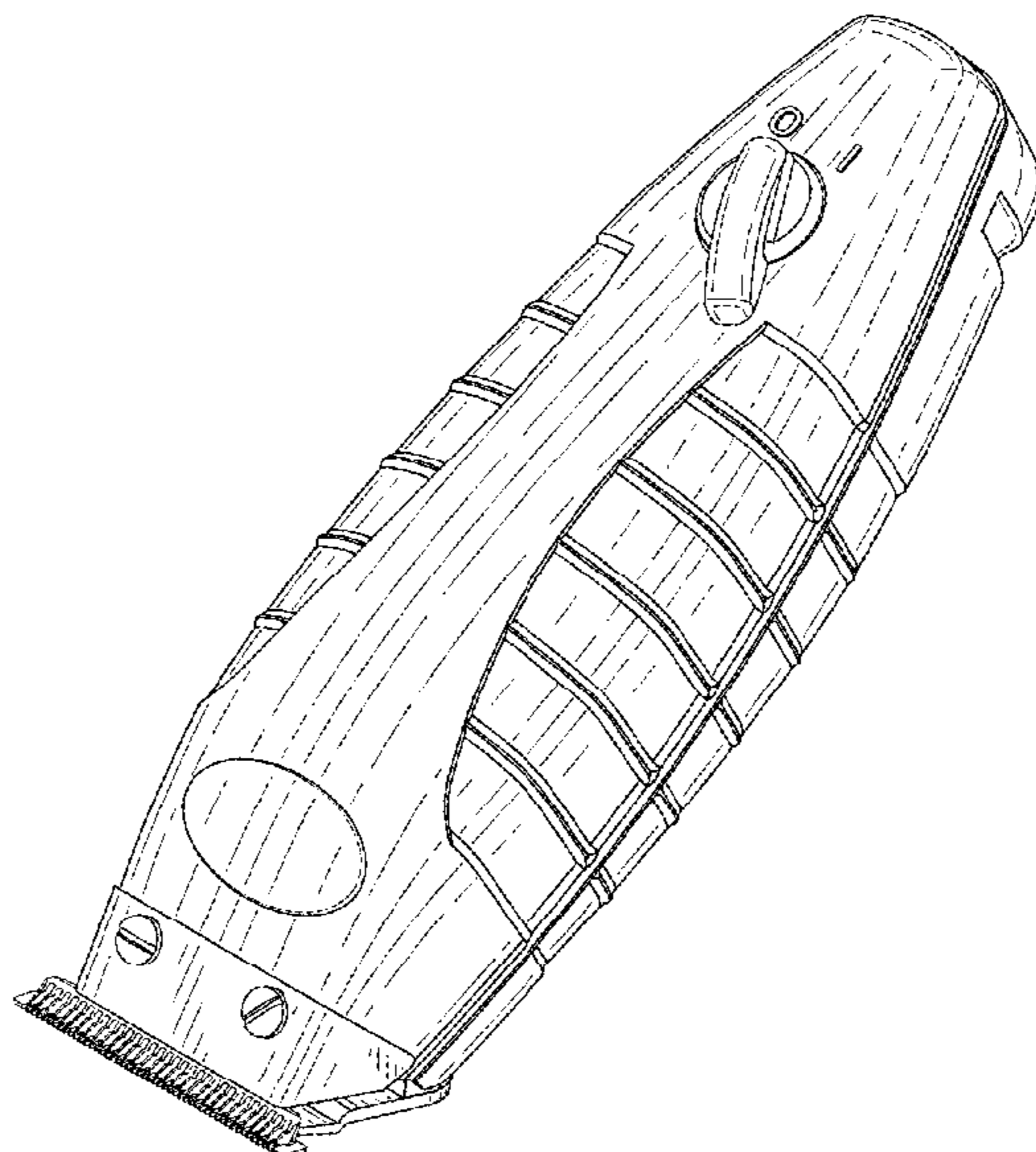
(57) **CLAIM**

The ornamental design for a hair trimmer, as shown and described.

DESCRIPTION

FIG. 1 is a perspective view of a hair trimmer, showing my new design;
FIG. 2 is a left side view thereof;
FIG. 3 is a right side view thereof;
FIG. 4 is a front view thereof;
FIG. 5 is a rear view thereof;
FIG. 6 is a top view thereof; and,
FIG. 7 is a bottom view thereof.
The broken lines shown in the drawings illustrate portions of the hair trimmer and form no part of the claimed design.

1 Claim, 6 Drawing Sheets



(56)

References Cited

U.S. PATENT DOCUMENTS

D883,572	S	5/2020	Cociffi et al.	
D883,573	S	5/2020	Cociffi et al.	
D895,898	S *	9/2020	Werner	D28/53
D905,909	S	12/2020	Wang	
11,097,435	B2 *	8/2021	Sterzi	B26B 19/3853
2009/0320296	A1	12/2009	Morisugi et al.	
2013/0192068	A1	8/2013	Kammer et al.	
2013/0200823	A1 *	8/2013	Chan	B26B 19/284 310/36
2015/0224656	A1	8/2015	Johnson et al.	
2016/0075039	A1	3/2016	Werner	
2016/0279813	A1	9/2016	Buck et al.	
2016/0361826	A1	12/2016	Musallam	
2018/0126570	A1	5/2018	Werner	
2020/0189135	A1 *	6/2020	Peterson, Jr.	B26B 19/3853
2020/0384661	A1 *	12/2020	Tringali	B26B 19/3846
2021/0394376	A1 *	12/2021	Braun	B26B 19/3873

OTHER PUBLICATIONS

Andis 79005 Supra ZR II Cordless 5-Speed Clipper With Lithium Ion Battery, Andis, published Aug. 18, 2018, retrieved from the Internet on Jul. 11, 2019 [<https://www.amazon.com/Andis-79005-Supra-CQRDLESS-Clipper/dp/B07D2M1SGB>], 10 pages.

Andis Cordless T-Outliner Li—FREEDOM to Roam. POWER to Last (Part 1), Andis, published on Jan. 30, 2018, retrieved on Jul. 11, 2019, retrieved from the Internet URL: <https://www.youtube.com/watch?v=TQri-imCcKw>.

* cited by examiner

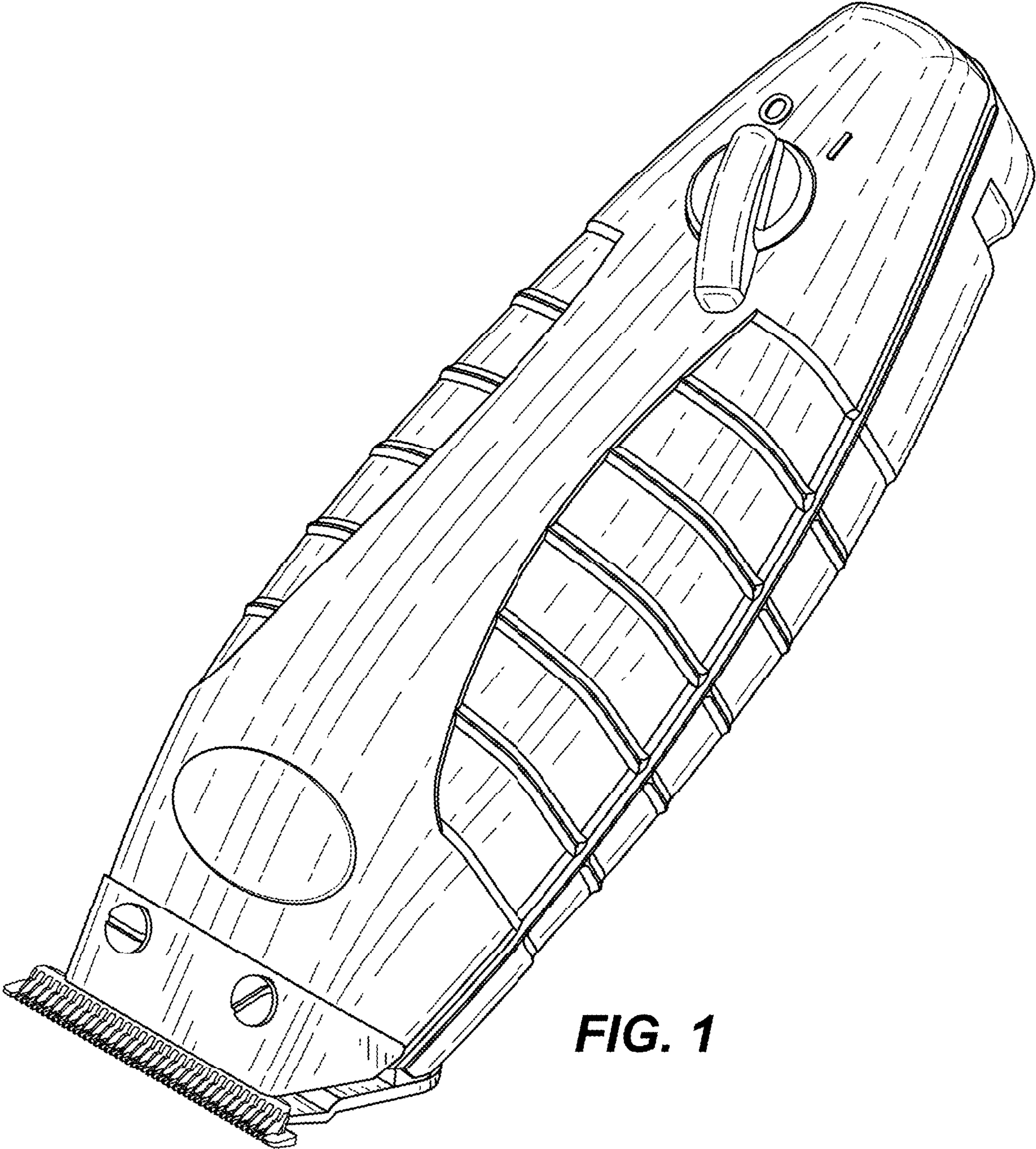


FIG. 1

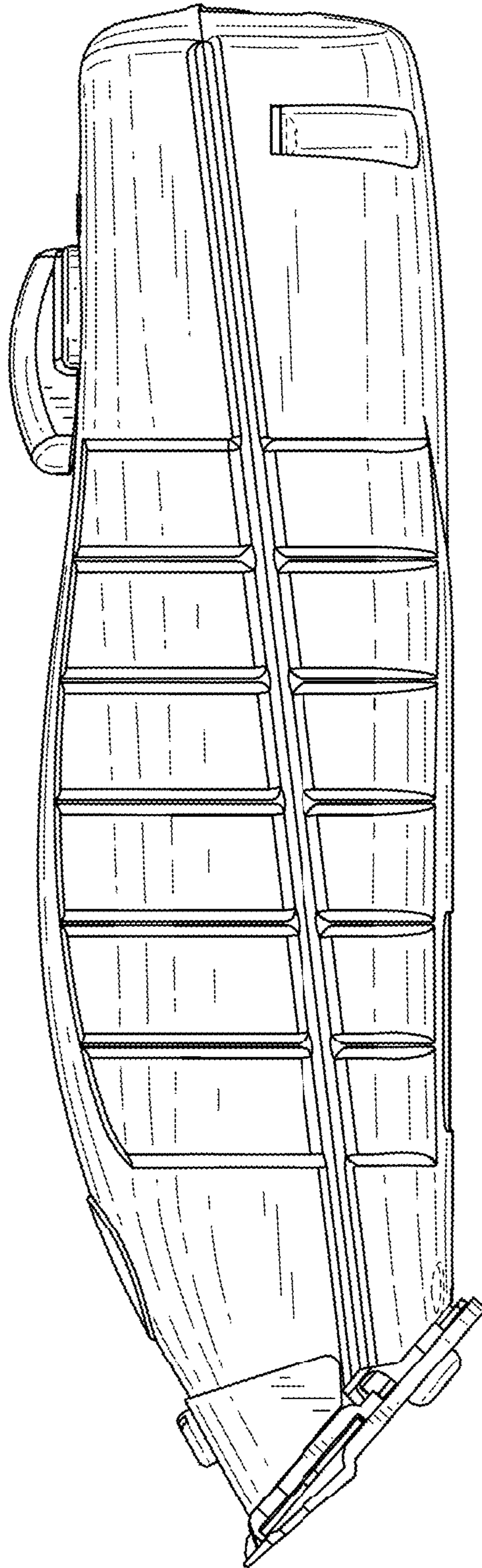


FIG. 2

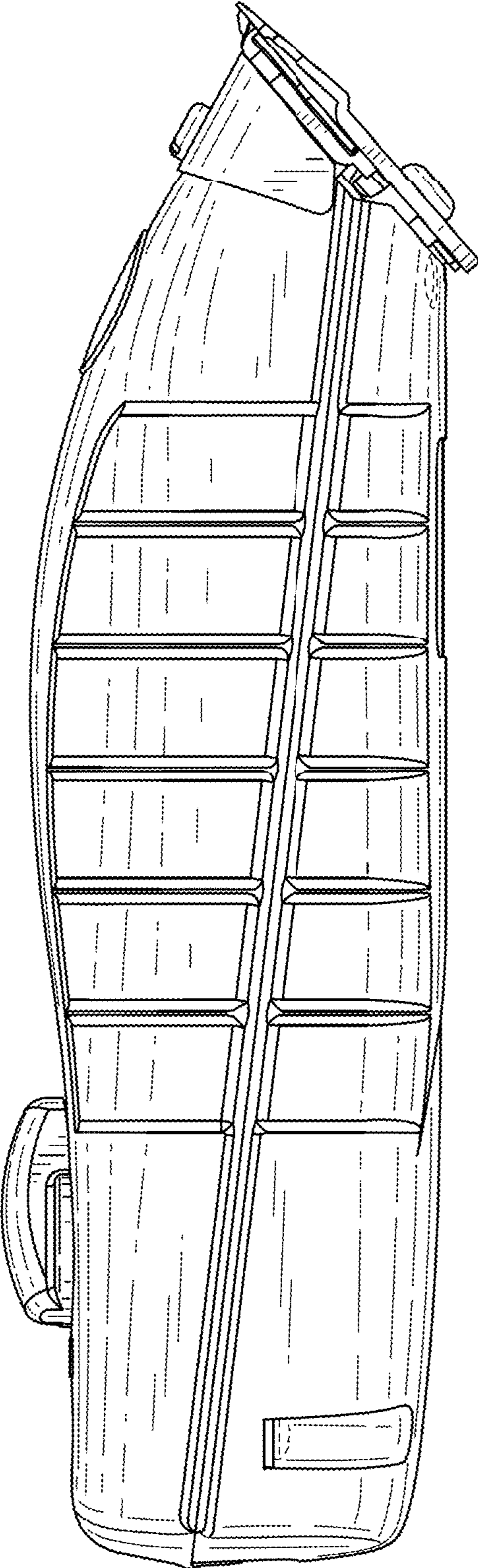


FIG. 3

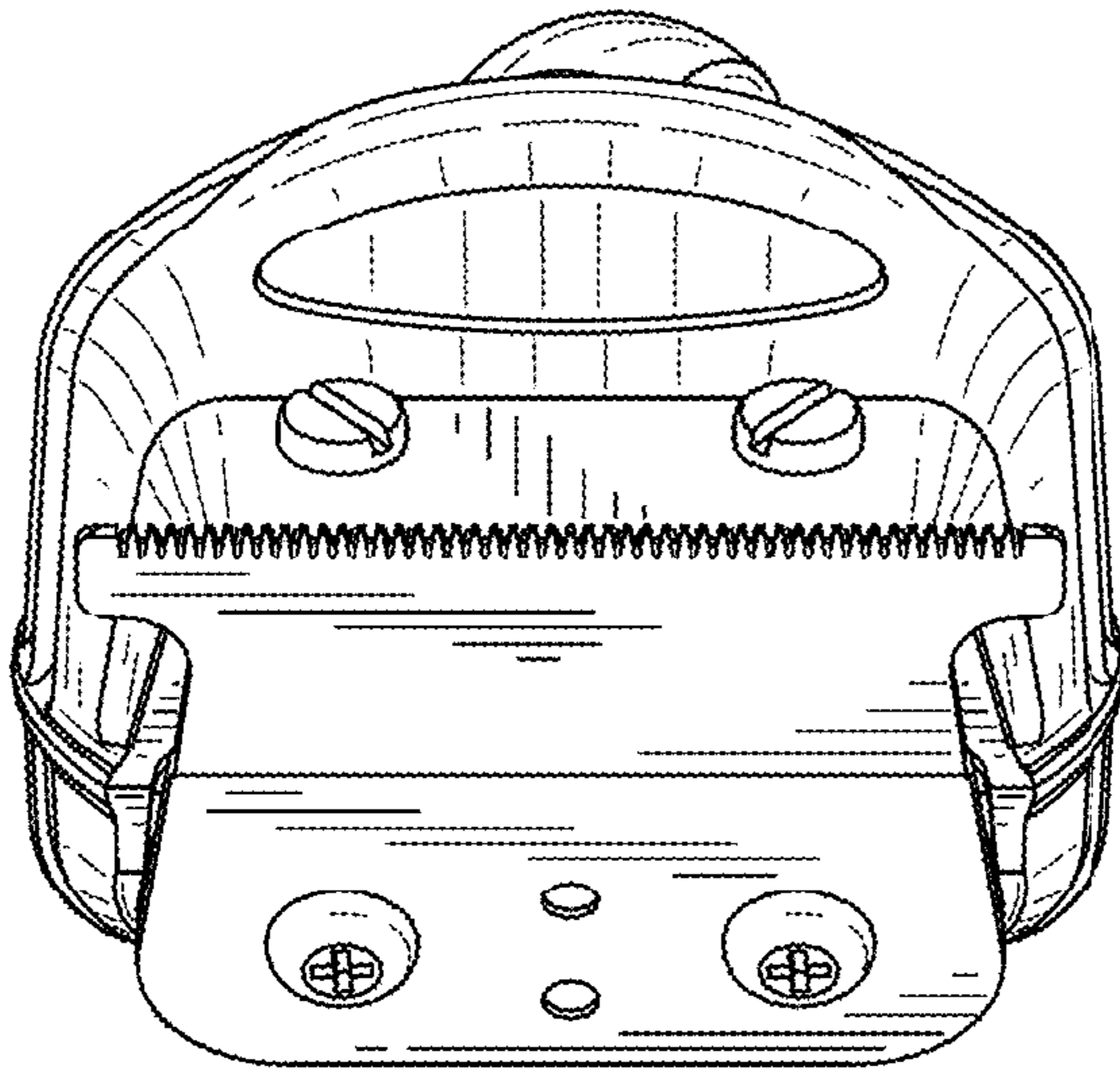


FIG. 4

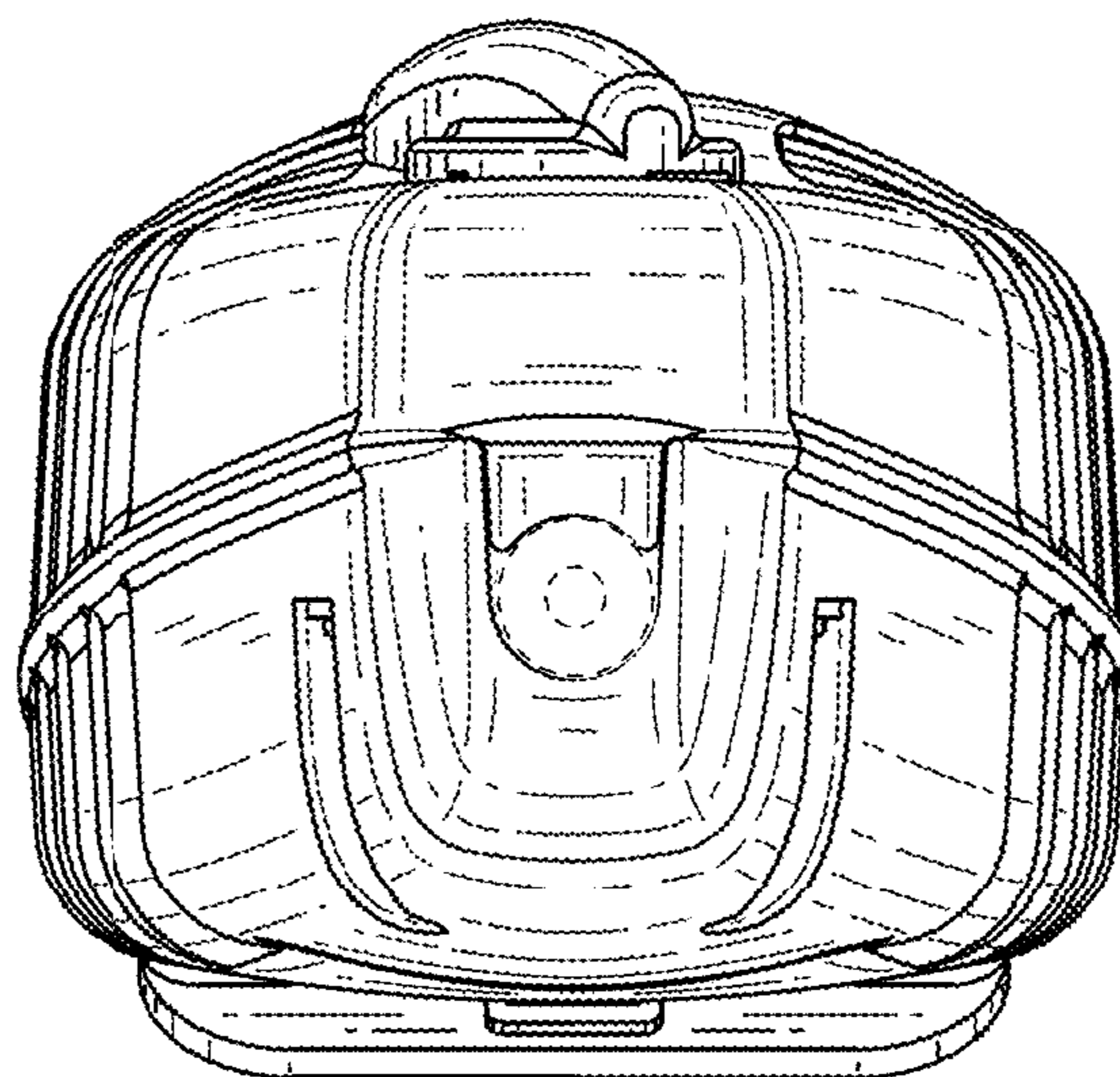


FIG. 5

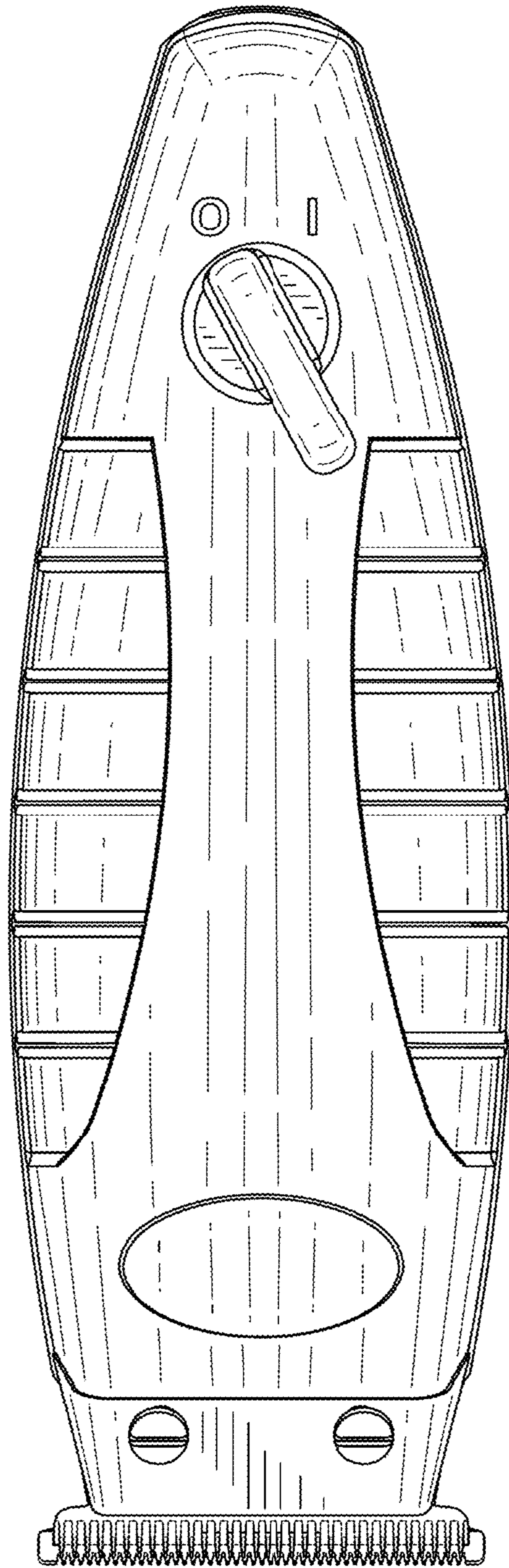


FIG. 6

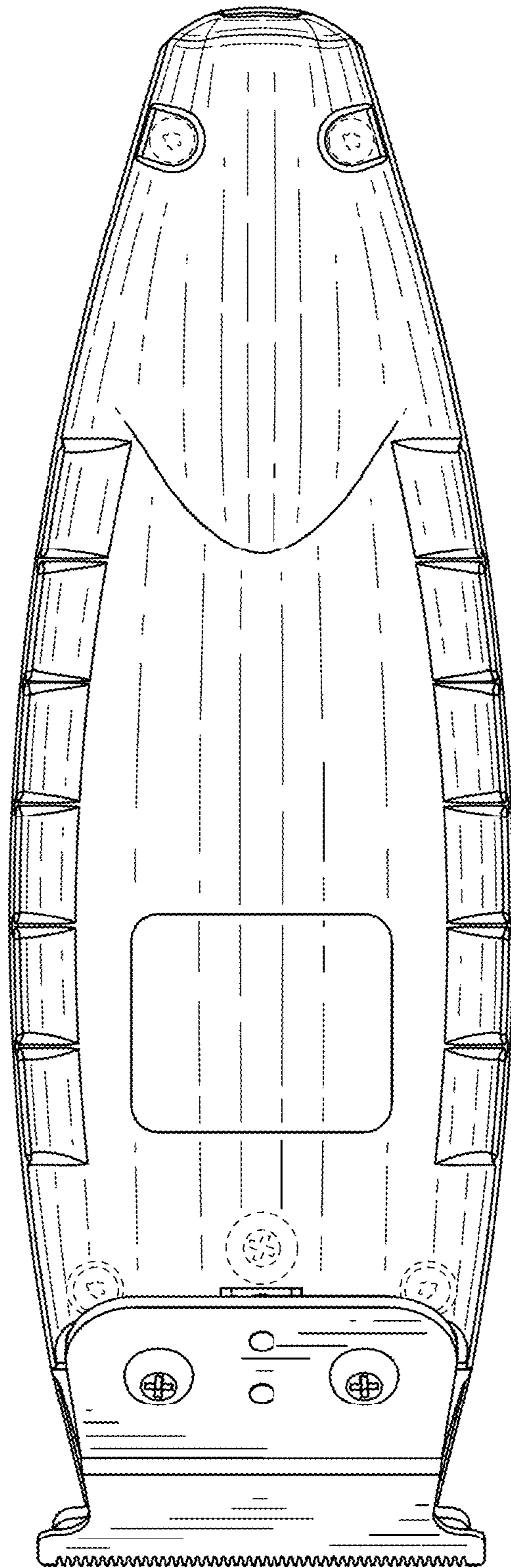


FIG. 7