



US00D965893S

(12) **United States Design Patent**
Jiang

(10) **Patent No.:** **US D965,893 S**

(45) **Date of Patent:** **** Oct. 4, 2022**

(54) **SHAVER**

(71) Applicant: **Xiaofu Jiang**, Shenzhen (CN)

(72) Inventor: **Xiaofu Jiang**, Shenzhen (CN)

(**) Term: **15 Years**

(21) Appl. No.: **29/763,569**

(22) Filed: **Dec. 23, 2020**

(30) **Foreign Application Priority Data**

Aug. 14, 2020 (CN) 202030462911.2

(51) **LOC (13) Cl.** **28-03**

(52) **U.S. Cl.**
USPC **D28/50**

(58) **Field of Classification Search**
USPC D28/49-54, 56-59
CPC B26B 19/00; B26B 19/12; B26B 19/14;
B26B 19/28; B26B 19/38; B26B 19/384;
B26B 19/3853

See application file for complete search history.

(56) **References Cited**

U.S. PATENT DOCUMENTS

D259,965 S *	7/1981	Oord	D28/50
D326,738 S *	6/1992	Mauro	D28/50
D344,157 S *	2/1994	Oord	D28/50
D405,922 S *	2/1999	Bone	D28/50
D748,857 S *	2/2016	Boulanger	D28/50

D758,659 S *	6/2016	Smith	D28/50
D776,348 S *	1/2017	Frankel	D28/50
D861,252 S *	9/2019	Canadas	D28/54
D861,986 S *	10/2019	Wang	D28/50
D918,474 S *	5/2021	Lu	D28/50
D930,243 S *	9/2021	Prat-Pfister	D28/50
D933,298 S *	10/2021	Parambathkandi Abdulkhakkim	D28/54
D940,395 S *	1/2022	Prat-Pfister	D28/50

* cited by examiner

Primary Examiner — Alison M Ofstun

(74) *Attorney, Agent, or Firm* — Carter, DeLuca & Farrell
LLP; George Likourezos

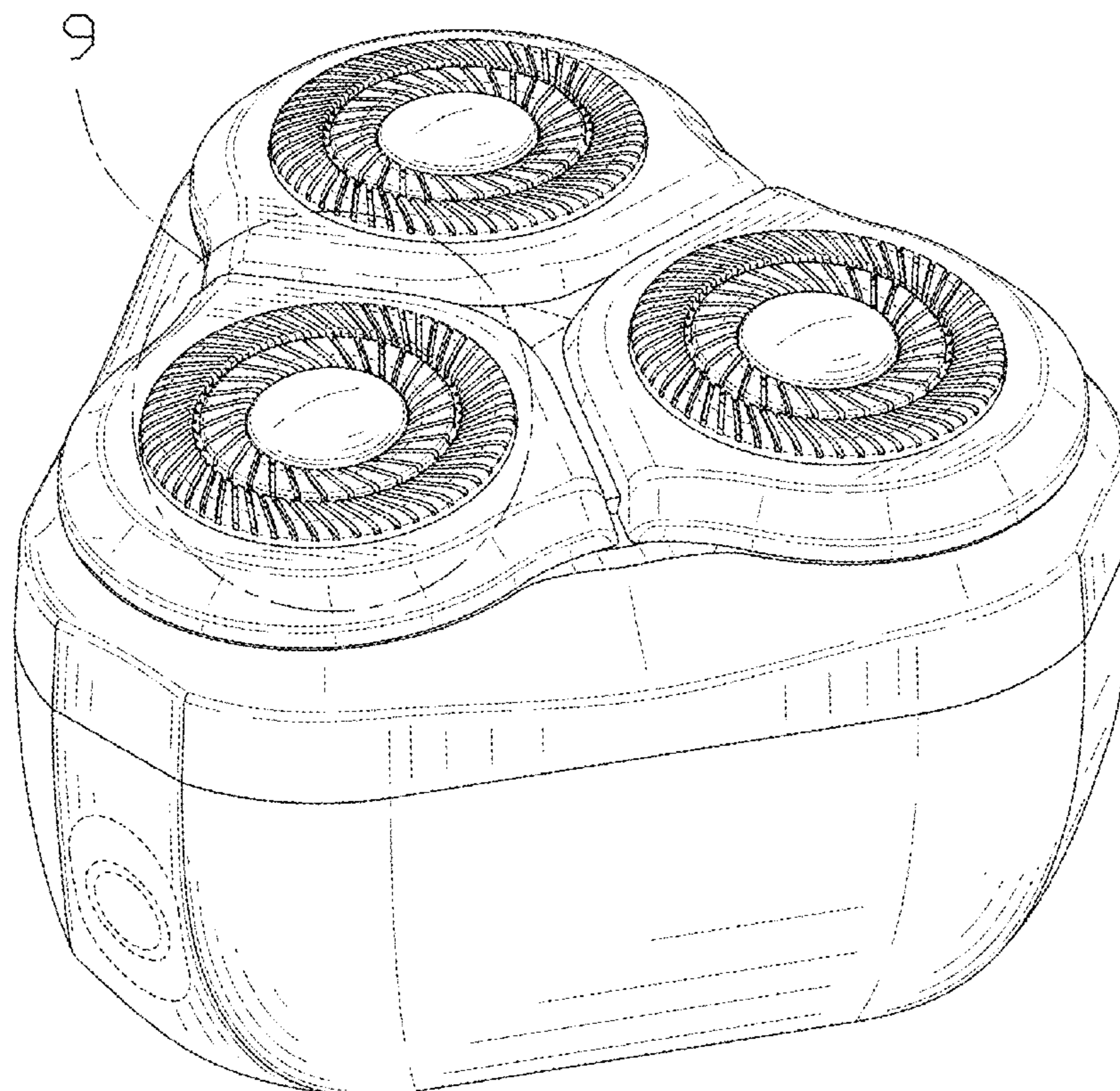
(57) **CLAIM**

The ornamental design for a shaver, as shown and described.

DESCRIPTION

FIG. 1 is a top perspective view of a shaver showing my new design;
FIG. 2 is a bottom perspective view thereof;
FIG. 3 is a front elevation view thereof;
FIG. 4 is a rear elevation view thereof;
FIG. 5 is a left side elevation view thereof;
FIG. 6 is a right side elevation view thereof;
FIG. 7 is a top plan view thereof;
FIG. 8 is a bottom plan view thereof; and,
FIG. 9 is an enlarged view of the area "9" shown in FIG. 1.
The broken lines in the drawings depict portions of the shaver that form no part of the claimed design.

1 Claim, 9 Drawing Sheets



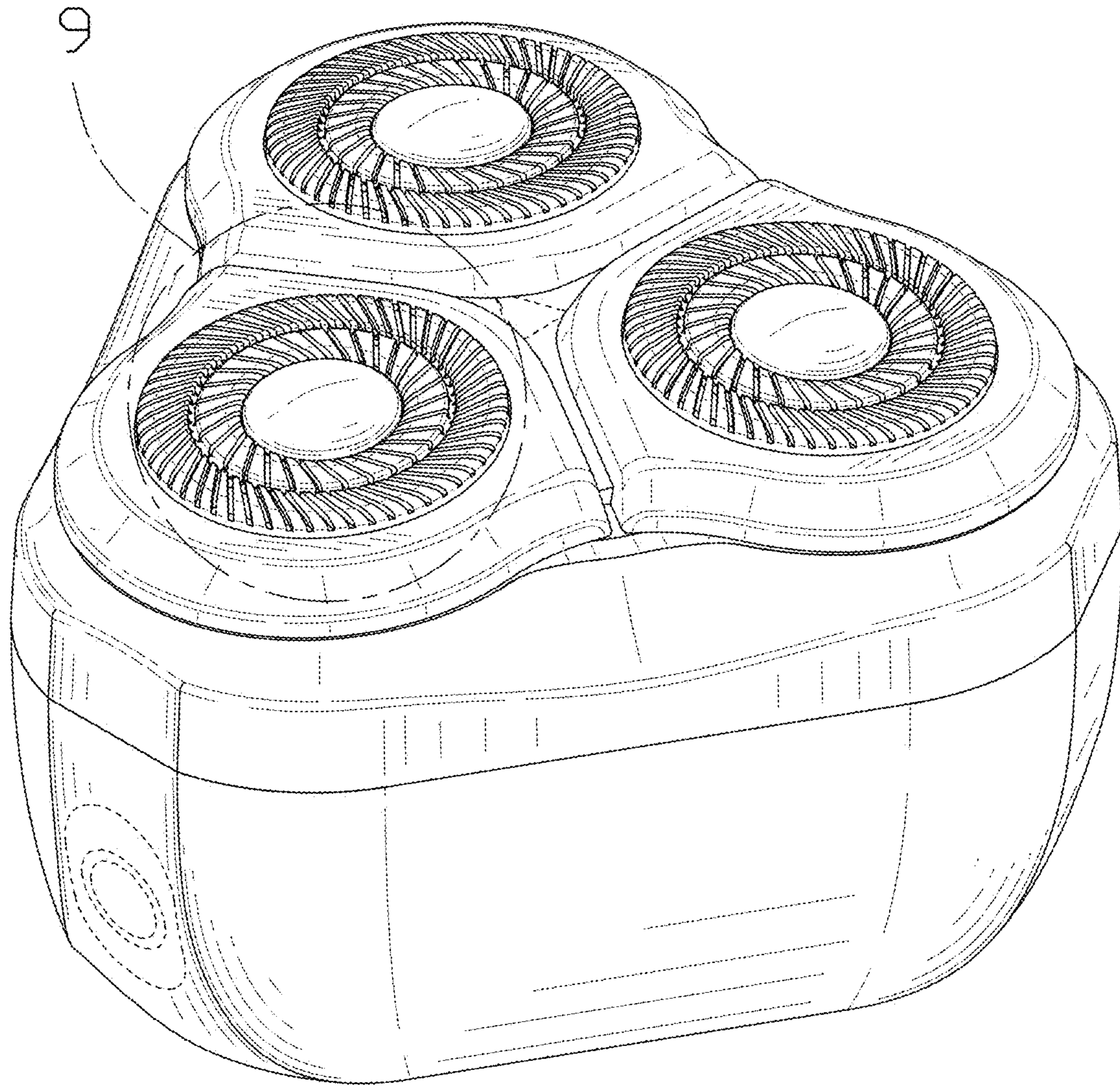


FIG. 1

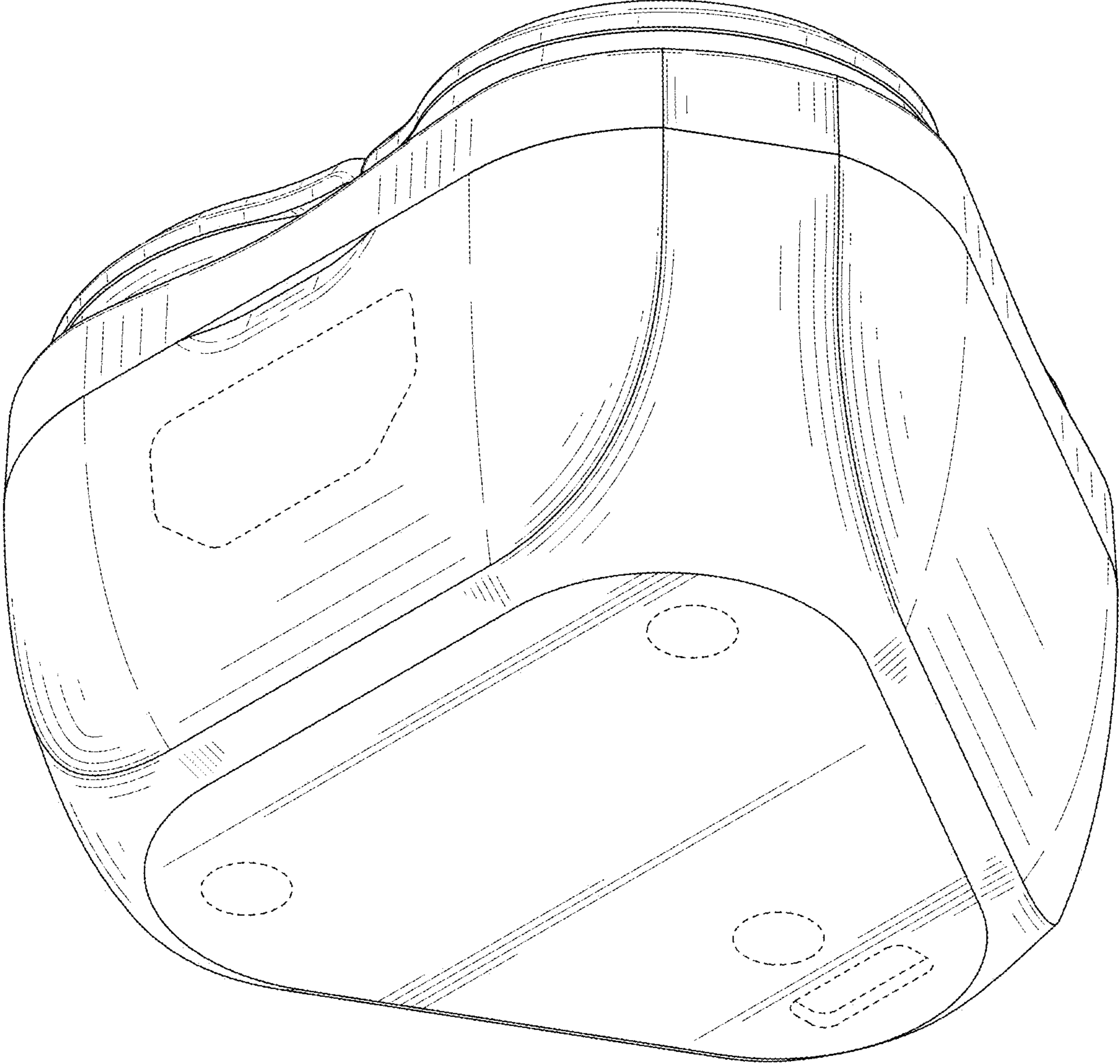


FIG. 2

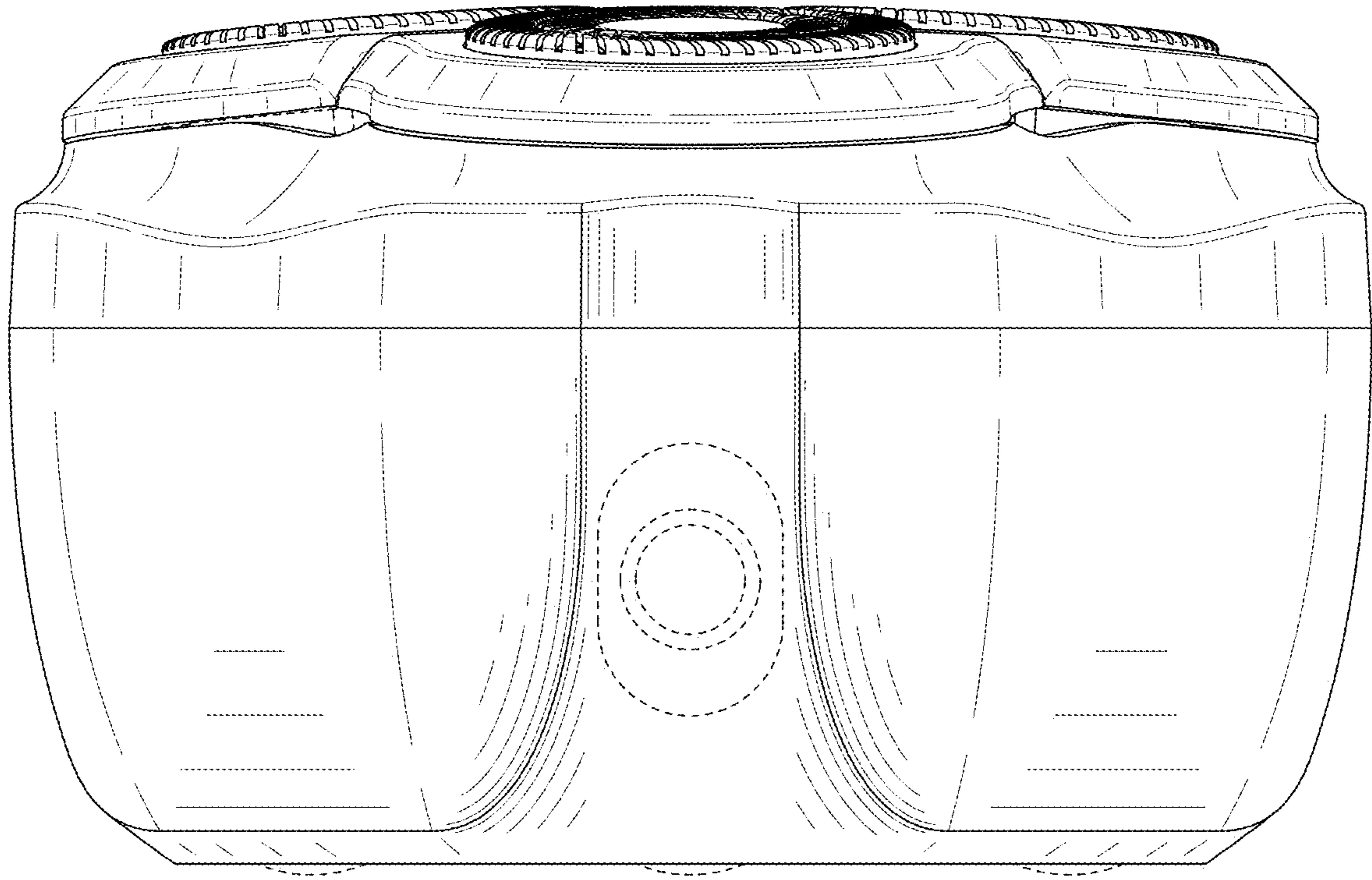


FIG. 3

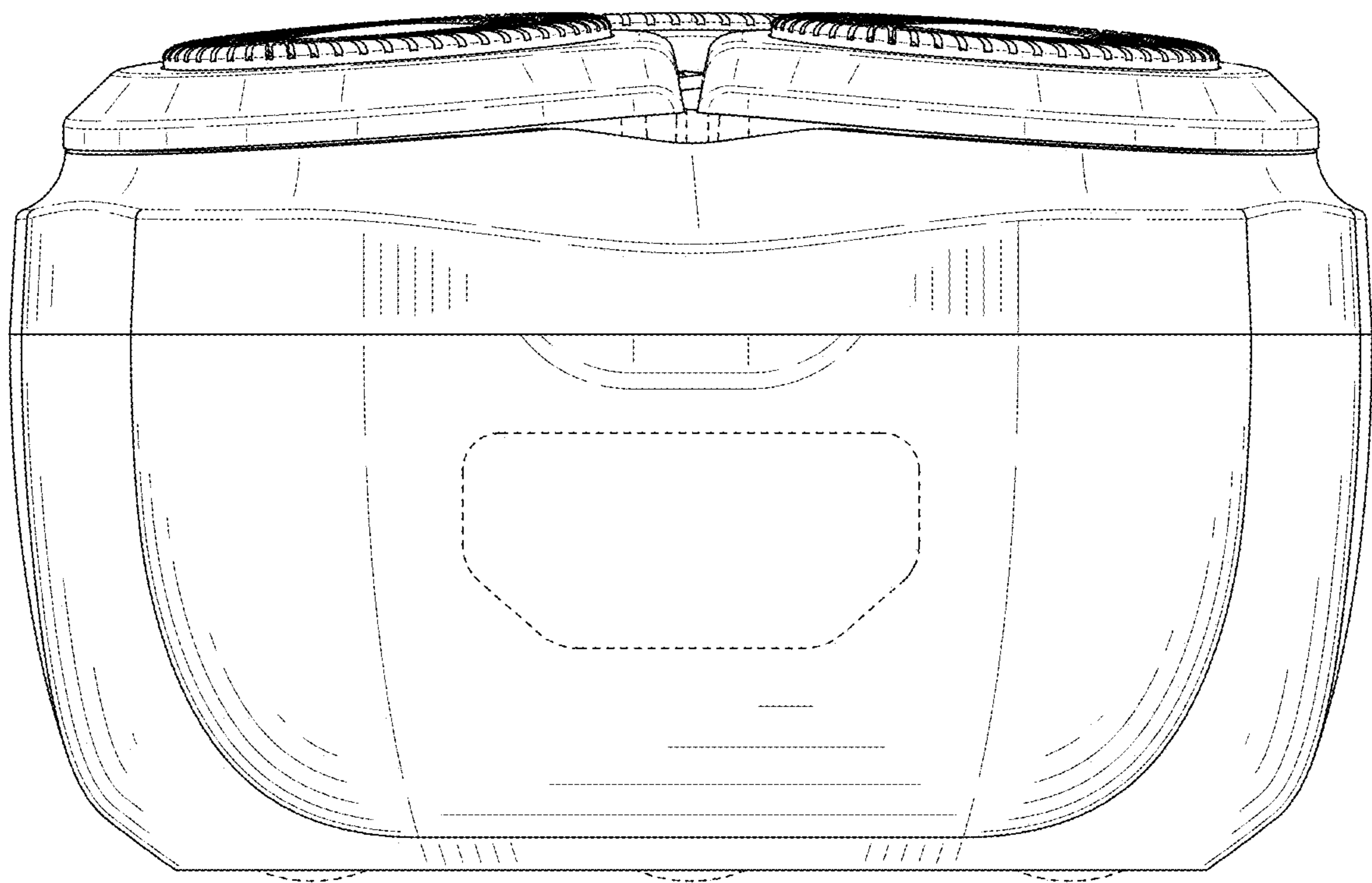


FIG. 4

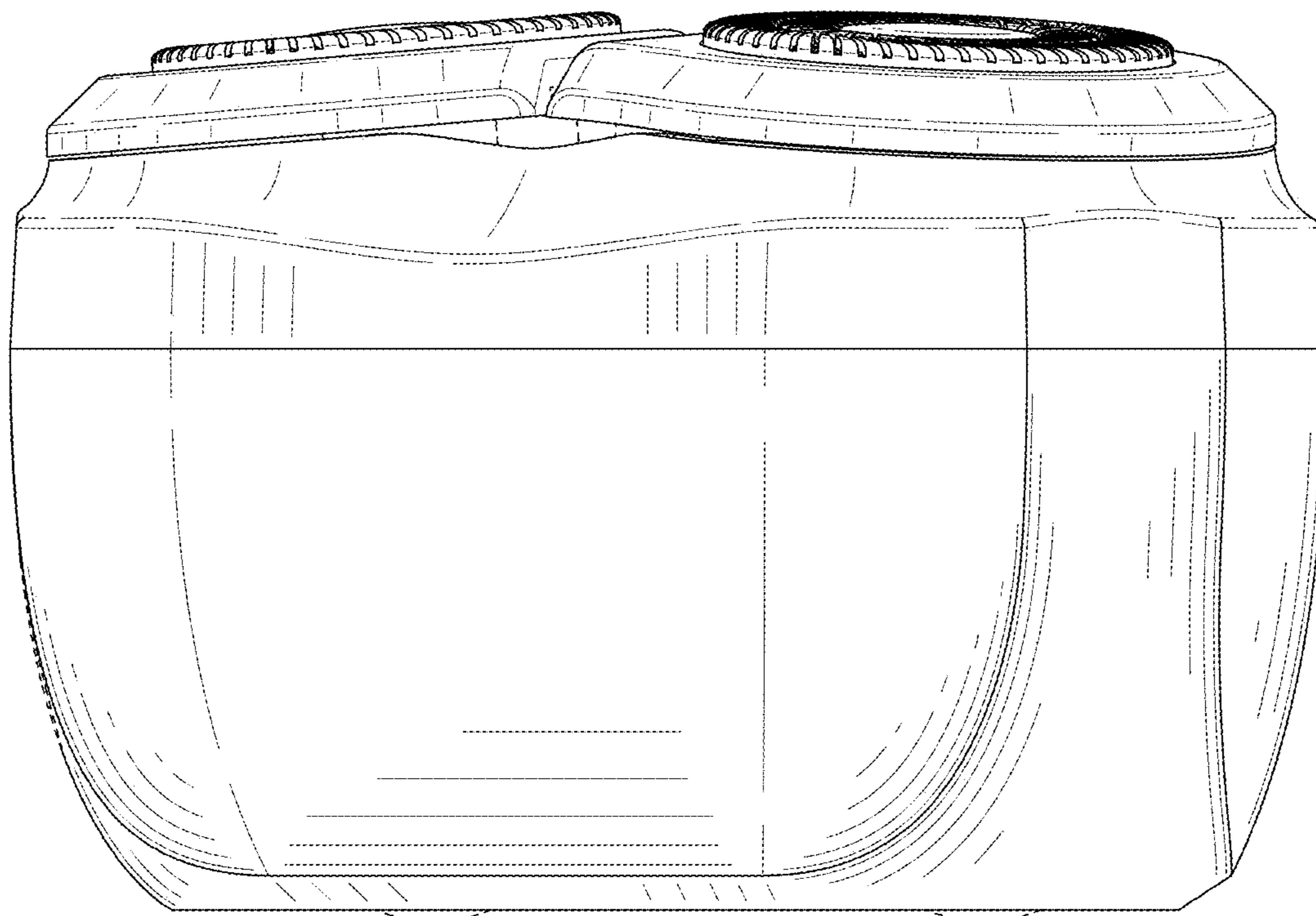


FIG. 5

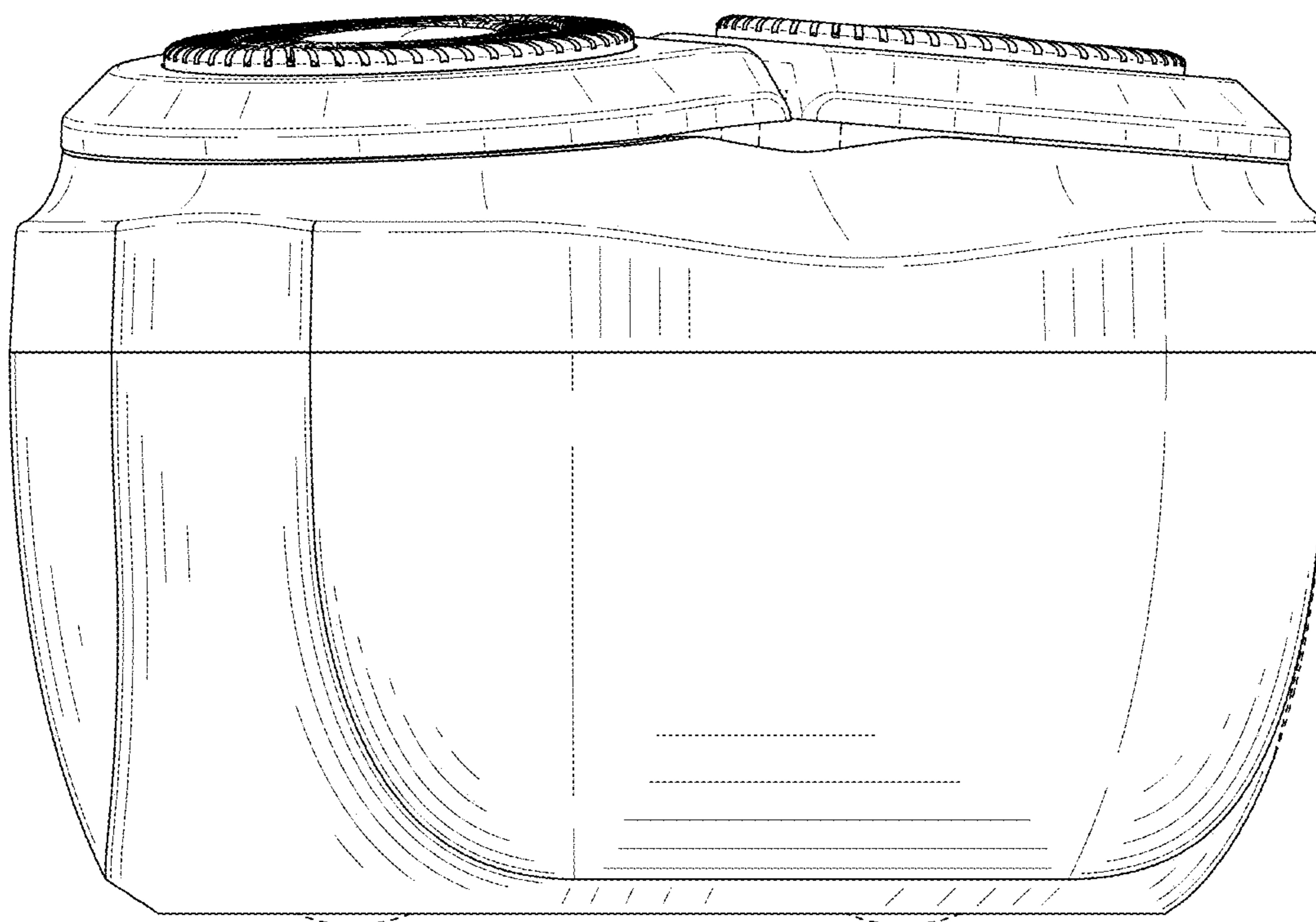


FIG. 6

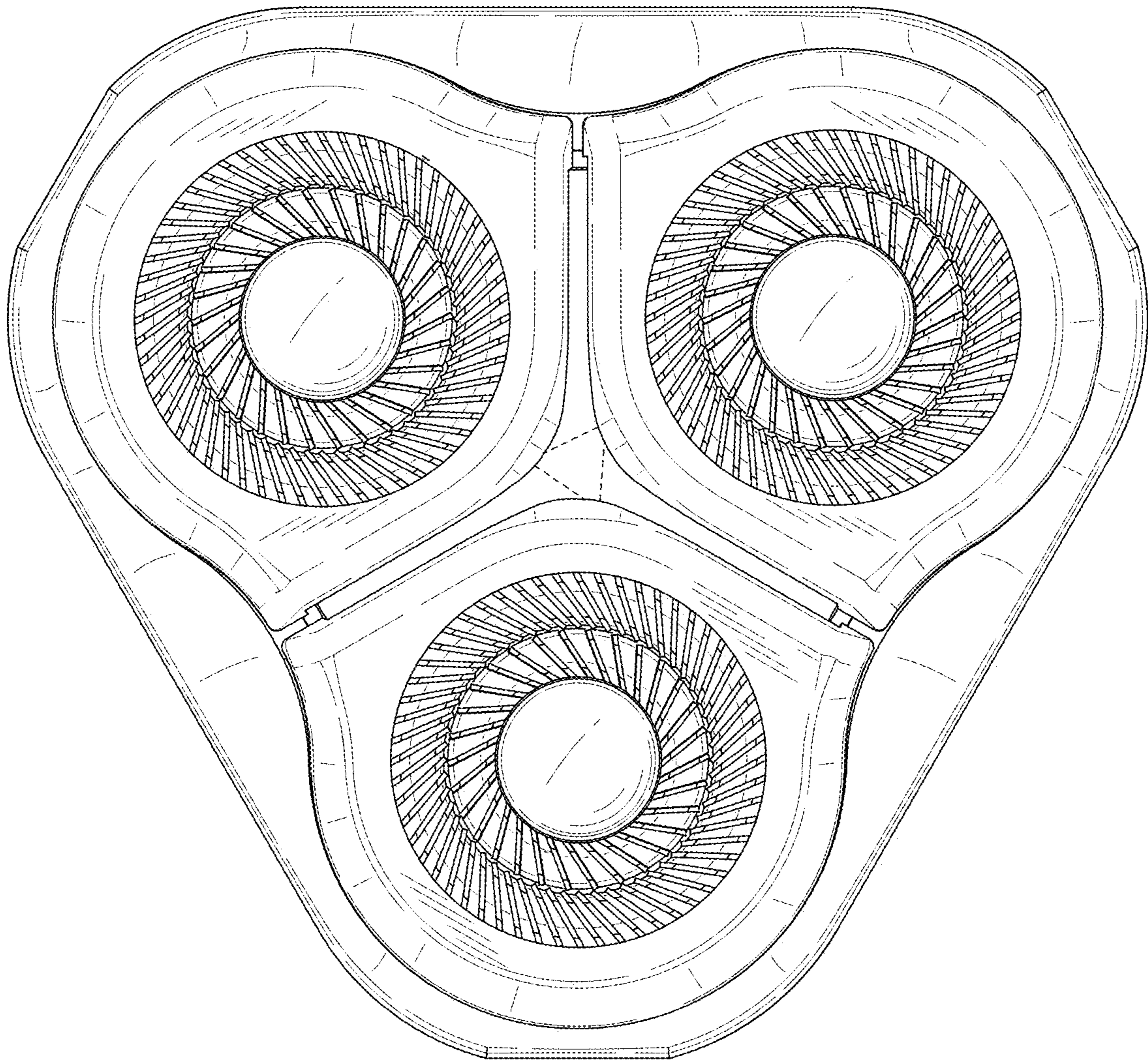


FIG. 7

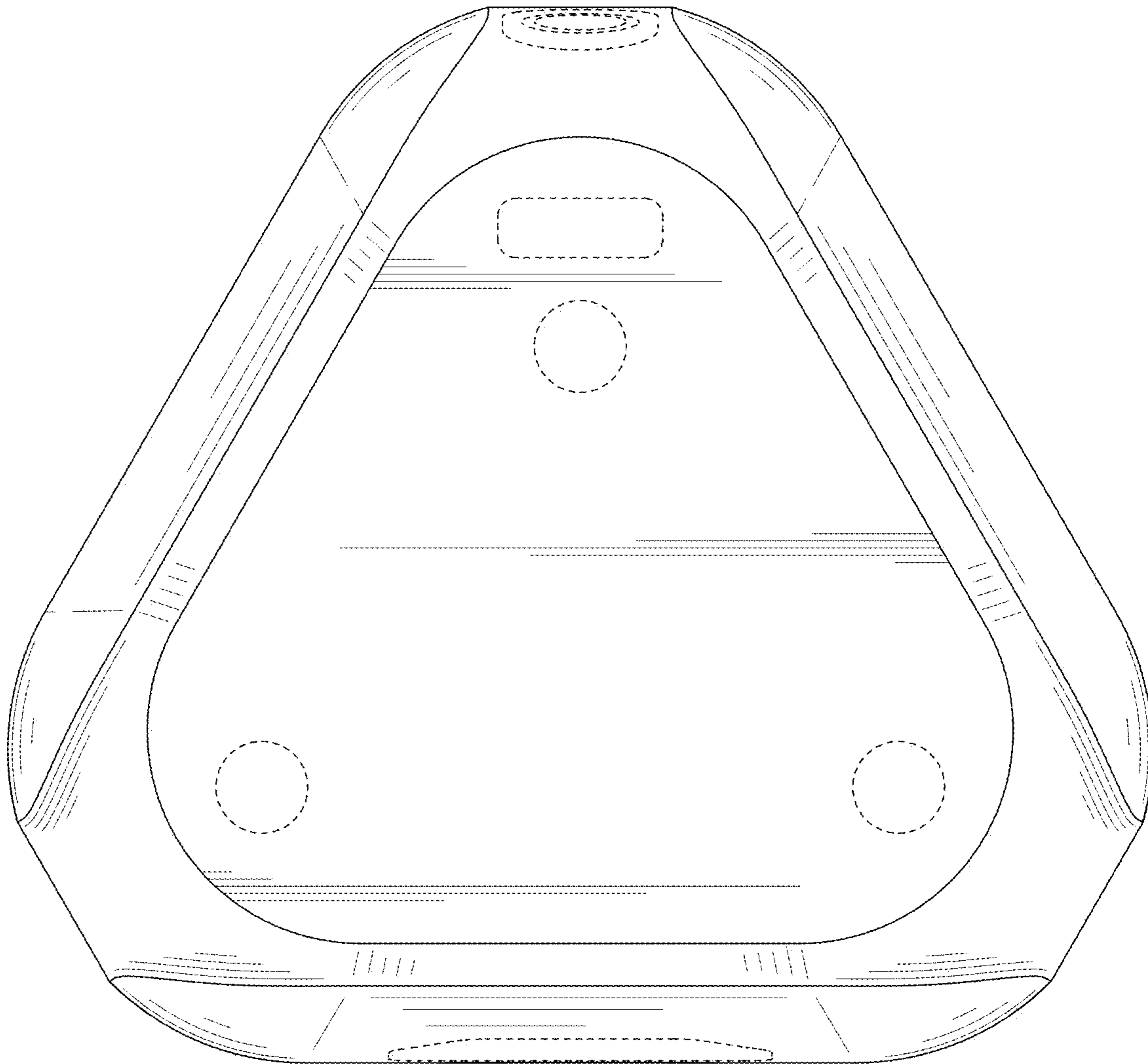


FIG. 8

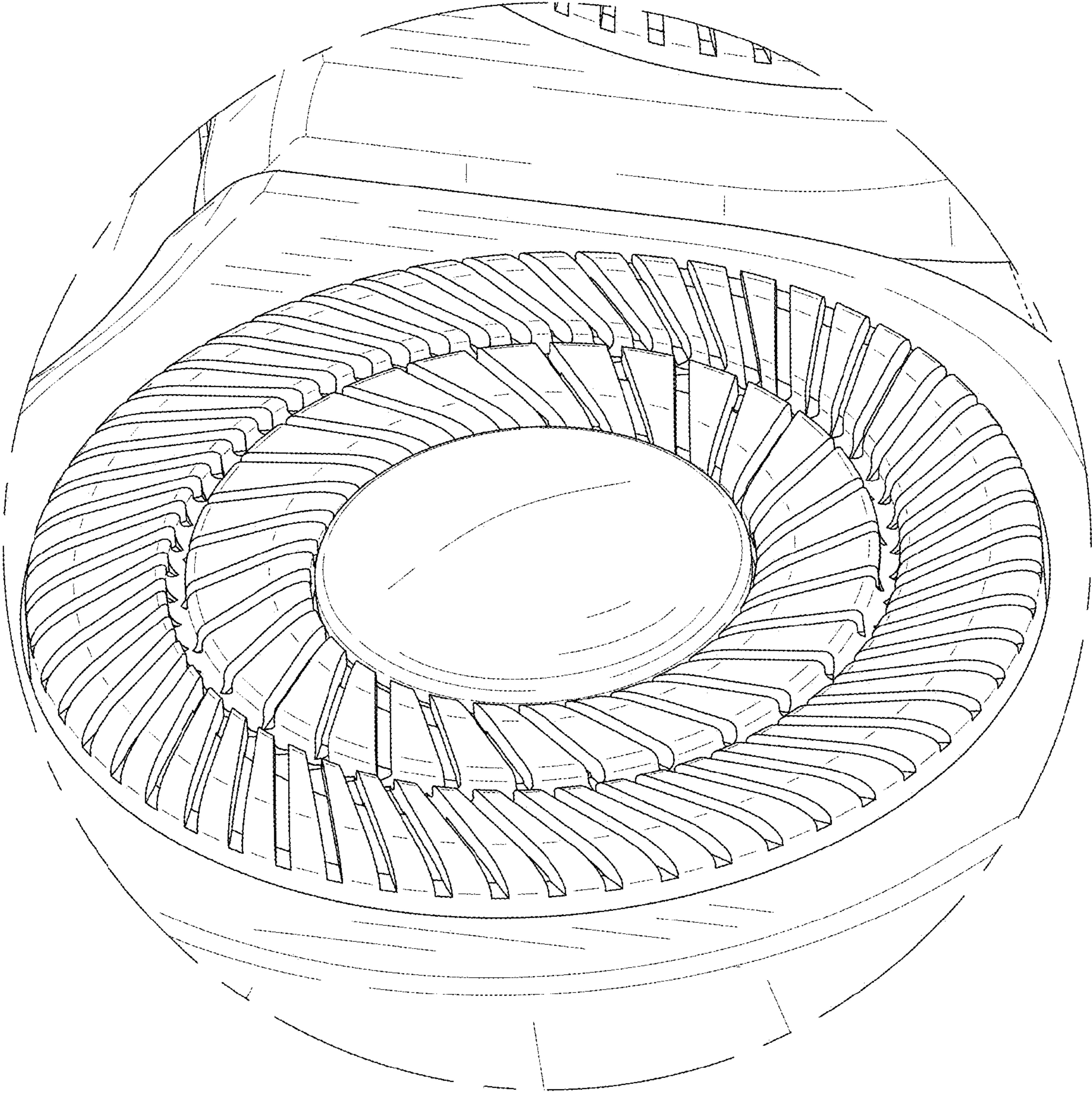


FIG. 9