



US00D965892S

(12) **United States Design Patent**  
**Zhang**

(10) **Patent No.:** **US D965,892 S**

(45) **Date of Patent:** **\*\* Oct. 4, 2022**

(54) **HEAD FOR SHAVER**

(71) Applicant: **KONINKLIJKE PHILIPS N.V.**,  
Eindhoven (NL)

(72) Inventor: **Mingshuo Zhang**, Amstelveen (NL)

(73) Assignee: **KONINKLIJKE PHILIPS N.V.**,  
Eindhoven (NL)

(\*\*) Term: **15 Years**

(21) Appl. No.: **29/758,938**

(22) Filed: **Nov. 19, 2020**

(30) **Foreign Application Priority Data**

May 20, 2020 (EM) ..... 007958756

(51) **LOC (13) Cl.** ..... **28-03**

(52) **U.S. Cl.**  
USPC ..... **D28/50**

(58) **Field of Classification Search**  
USPC ..... D28/49-54, 56-59  
CPC ..... B26B 19/00; B26B 19/12; B26B 19/14;  
B26B 19/28; B26B 19/38; B26B 19/384;  
B26B 19/3853

See application file for complete search history.

(56) **References Cited**

U.S. PATENT DOCUMENTS

D539,475 S \* 3/2007 Dingelstad ..... D28/50  
D539,476 S \* 3/2007 Dingelstad ..... D28/50  
D539,477 S \* 3/2007 Dingelstad ..... D28/50  
D619,766 S \* 7/2010 Nitz ..... D28/50  
D748,857 S \* 2/2016 Boulanger ..... D28/50  
D808,077 S \* 1/2018 Boulanger ..... D28/50  
RE48,352 E \* 12/2020 Westerhof ..... B26B 19/386  
10,946,538 B2 \* 3/2021 Wind ..... B26B 21/40  
D924,486 S \* 7/2021 Chen ..... D28/50

2010/0011589 A1\* 1/2010 Van Der Borst ..... B26B 19/386  
30/43.4  
2010/0018058 A1\* 1/2010 Brada ..... B26B 19/38  
30/43.6  
2010/0058594 A1\* 3/2010 Westerhof ..... B26B 19/3853  
30/43.4

(Continued)

*Primary Examiner* — Alison M Ofstun

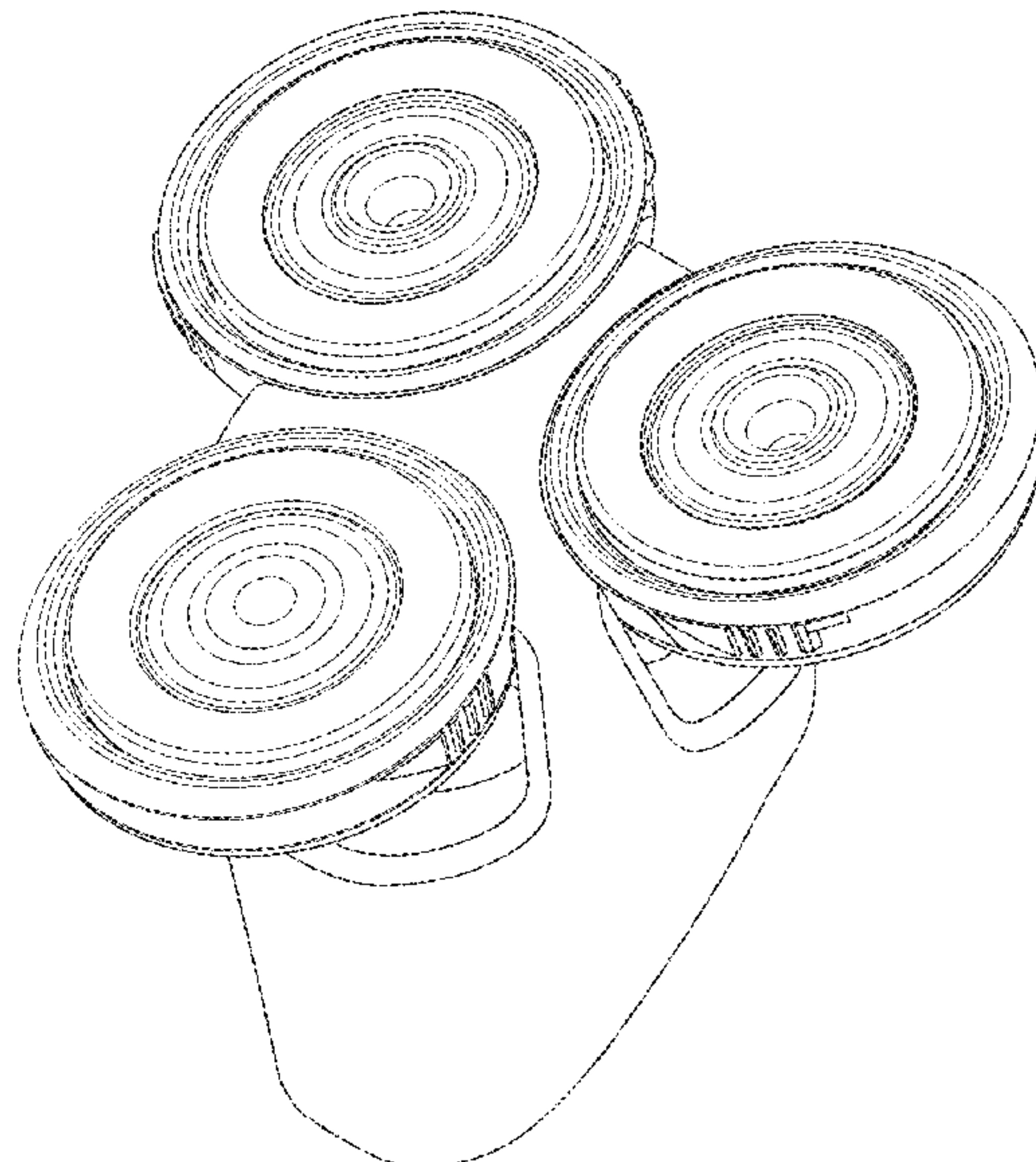
(57) **CLAIM**

The ornamental design for a head for shaver, as shown described.

**DESCRIPTION**

FIG. 1 is a perspective view of a first embodiment for a head for shaver;  
FIG. 2 is a front elevational view thereof;  
FIG. 3 is a rear elevational view thereof;  
FIG. 4 is a right side elevational view thereof;  
FIG. 5 is a left side elevational view thereof;  
FIG. 6 is a top plan view thereof;  
FIG. 7 is a bottom plan view thereof;  
FIG. 8 is a perspective view of a second embodiment for a head for shaver;  
FIG. 9 is a front elevational view thereof;  
FIG. 10 is a rear elevational view thereof;  
FIG. 11 is a right side elevational view thereof;  
FIG. 12 is a left side elevational view thereof;  
FIG. 13 is a top plan view thereof;  
FIG. 14 is a bottom plan view thereof  
FIG. 15 is a perspective view of a third embodiment for a head for shaver;  
FIG. 16 is a front elevational view thereof;  
FIG. 17 is a rear elevational view thereof;  
FIG. 18 is a right side elevational view thereof;  
FIG. 19 is a left side elevational view thereof;  
FIG. 20 is a top plan view thereof; and,  
FIG. 21 is a bottom plan view thereof.  
In the drawings, the broken lines illustrate portions of the head for shaver that form no part of the claimed design.

**1 Claim, 21 Drawing Sheets**



(56)

**References Cited**

U.S. PATENT DOCUMENTS

2011/0308088 A1 \* 12/2011 Brada ..... B26B 19/143  
30/43.6

\* cited by examiner

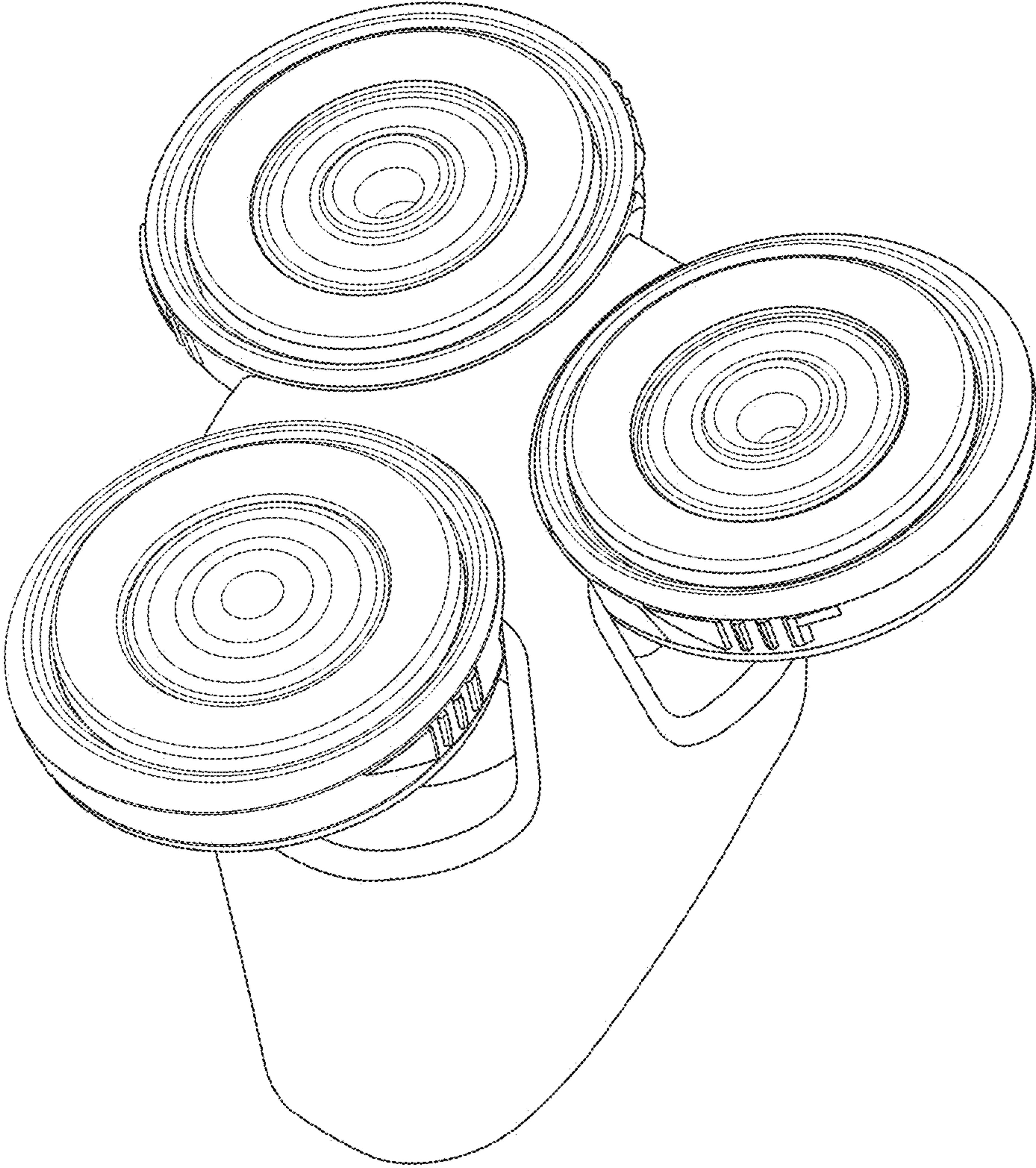


FIG. 1

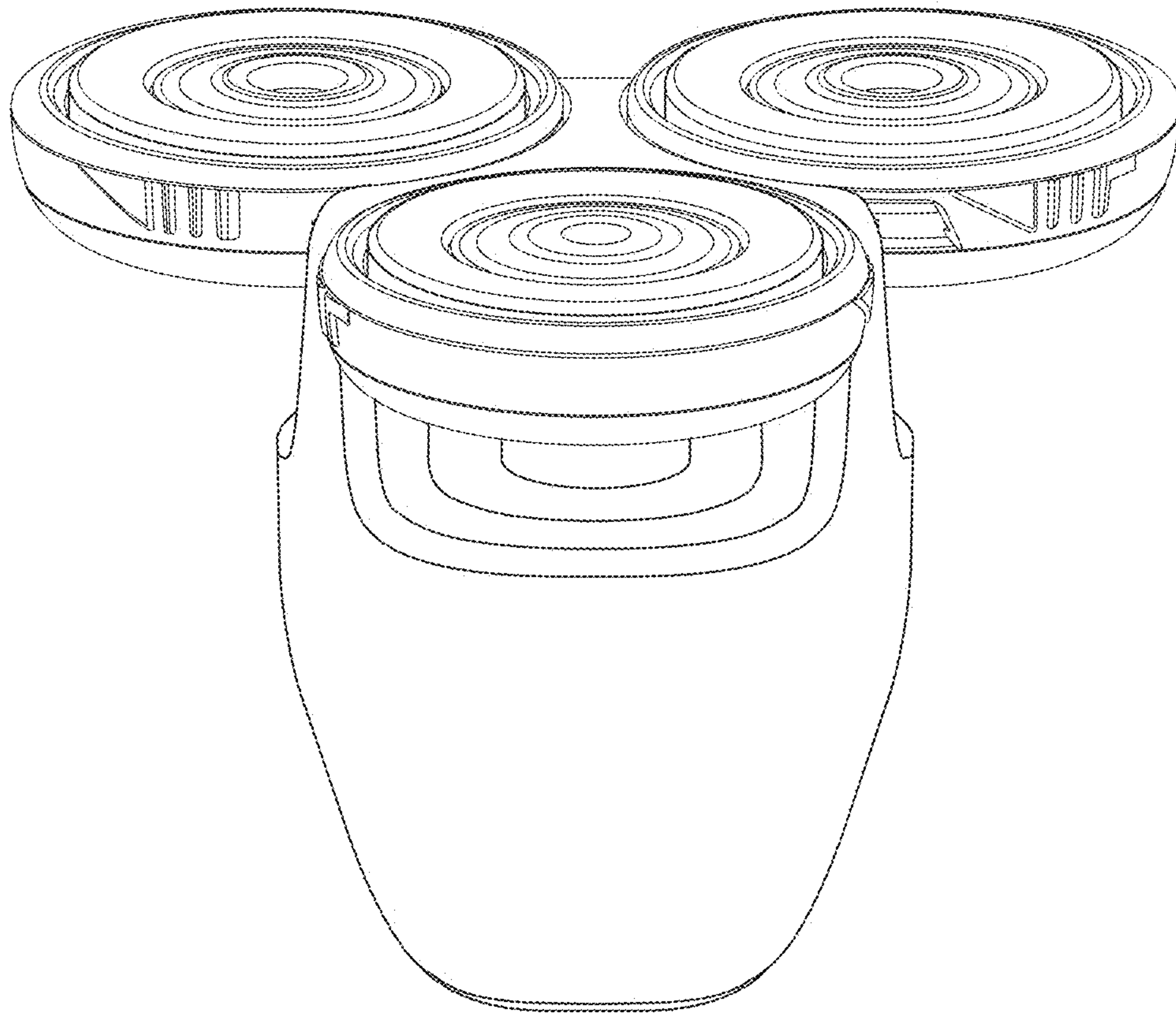


FIG. 2



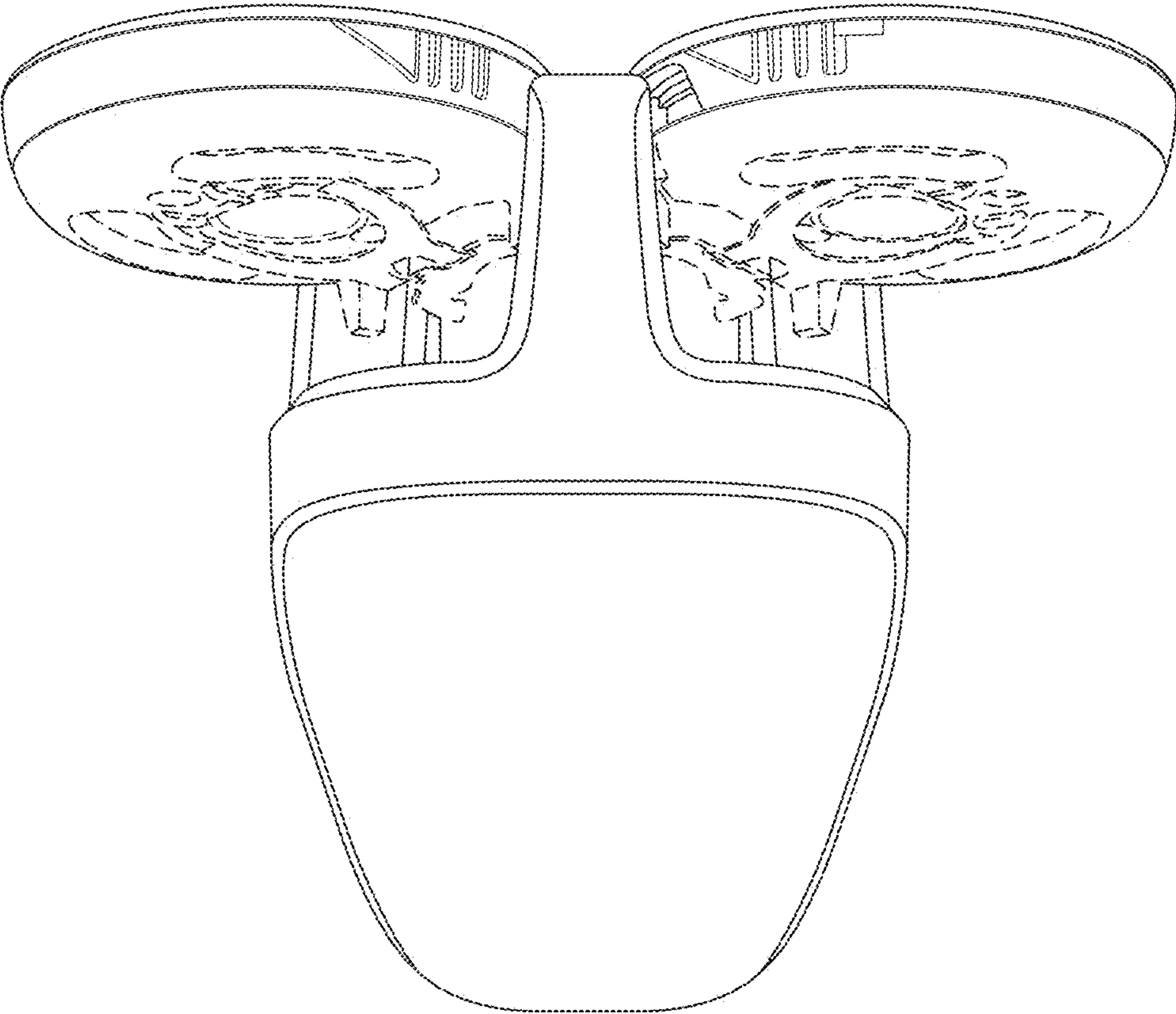


FIG. 3

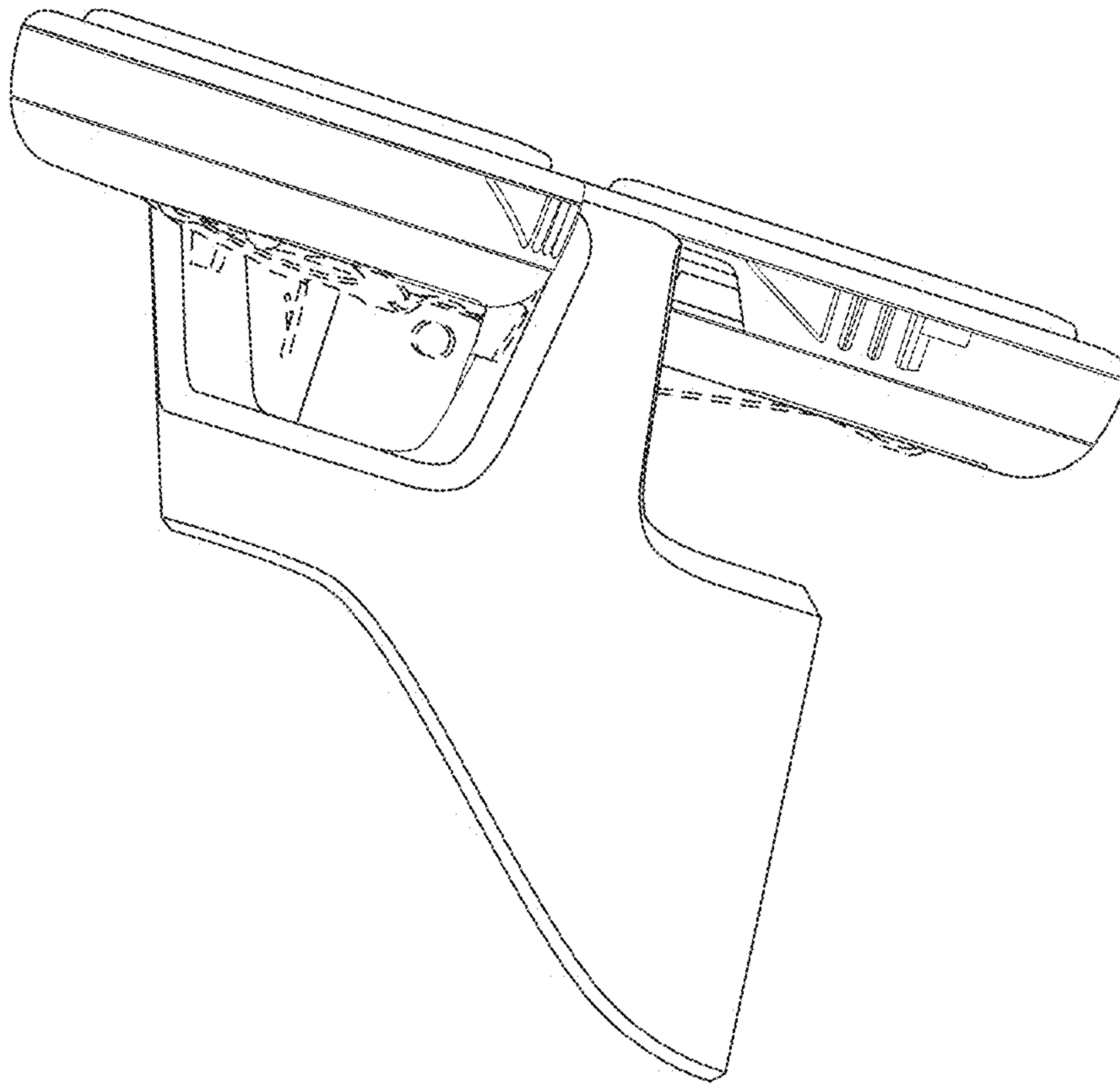


FIG. 4

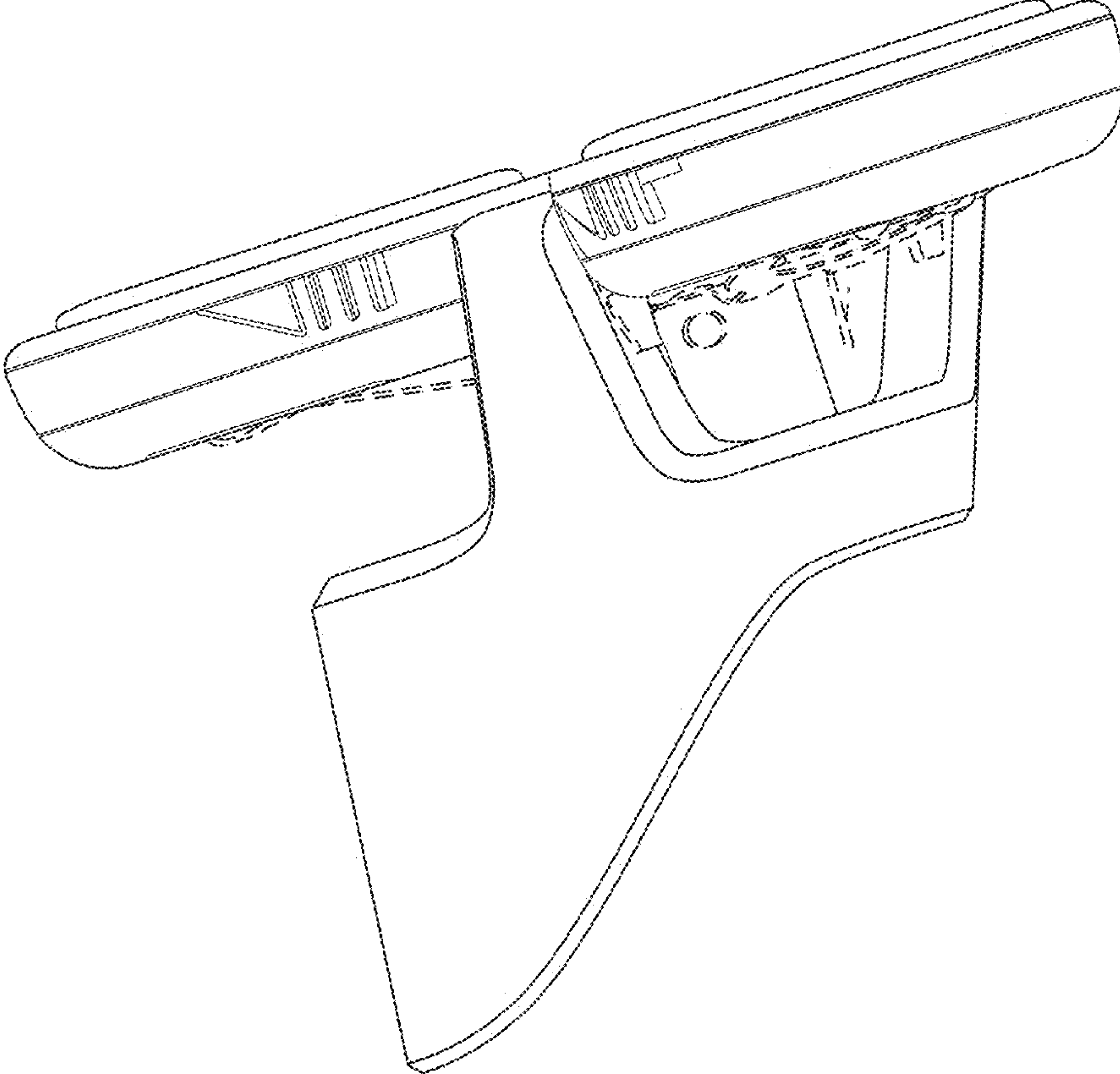


FIG. 5

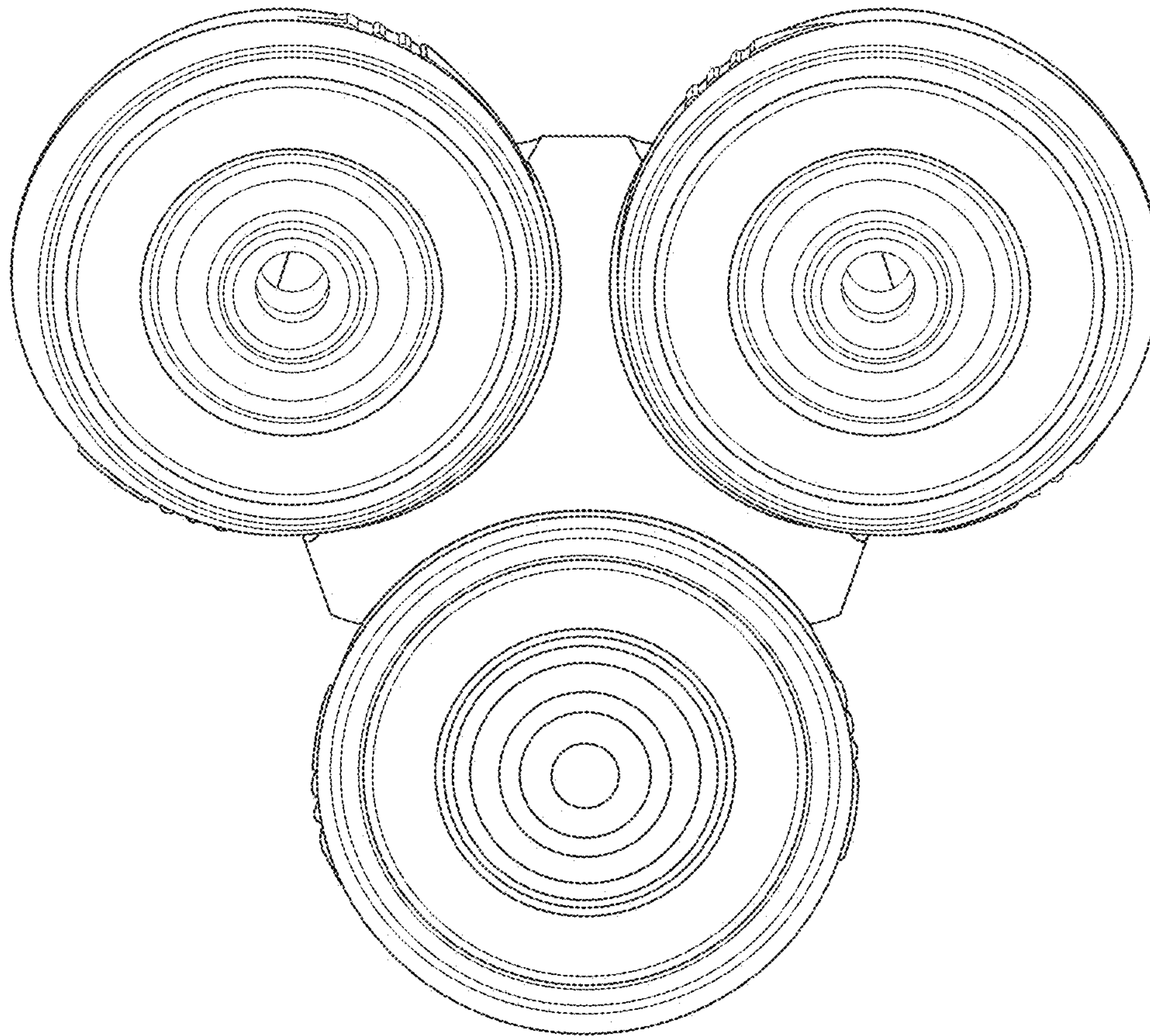


FIG. 6



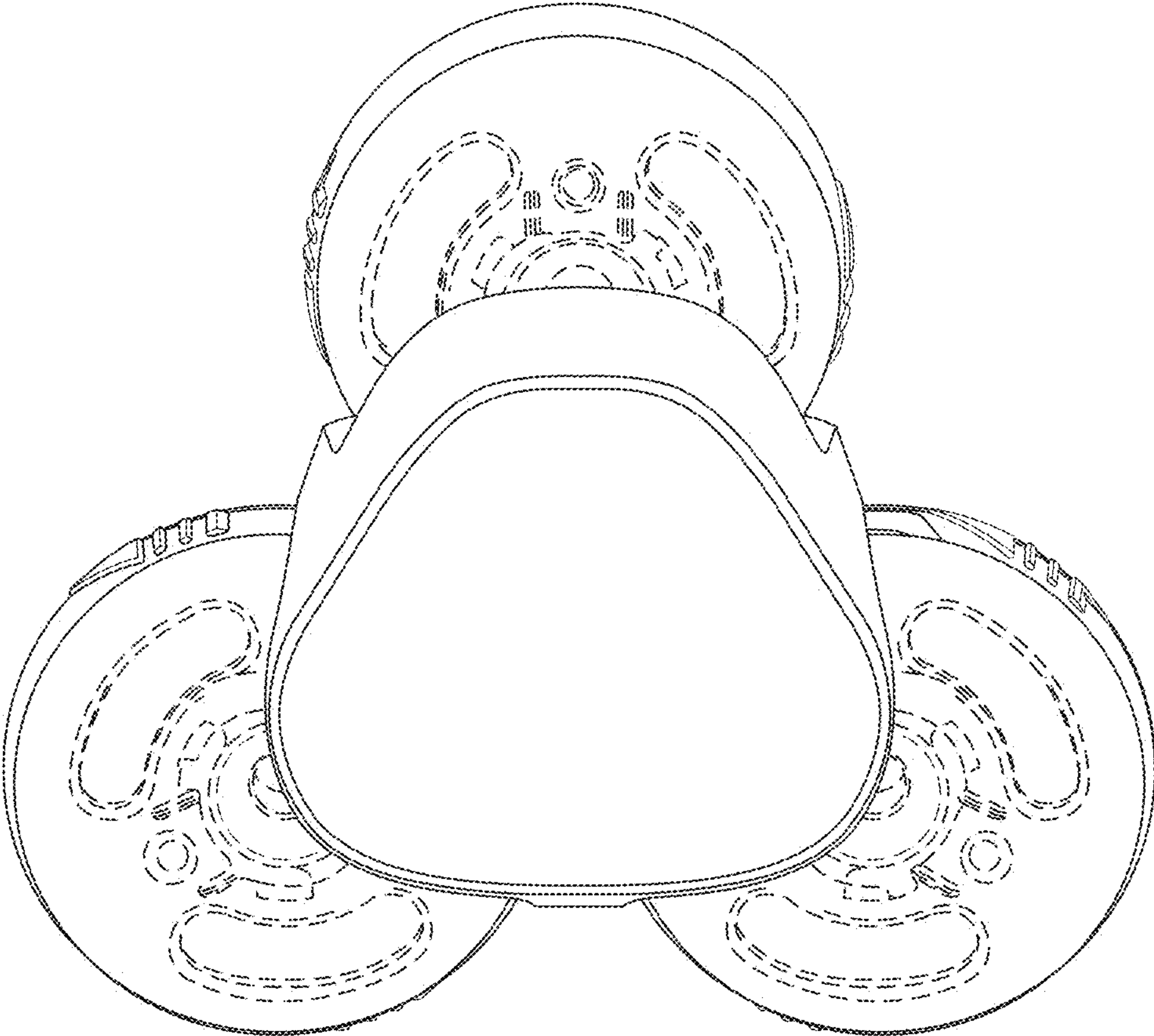


FIG. 7

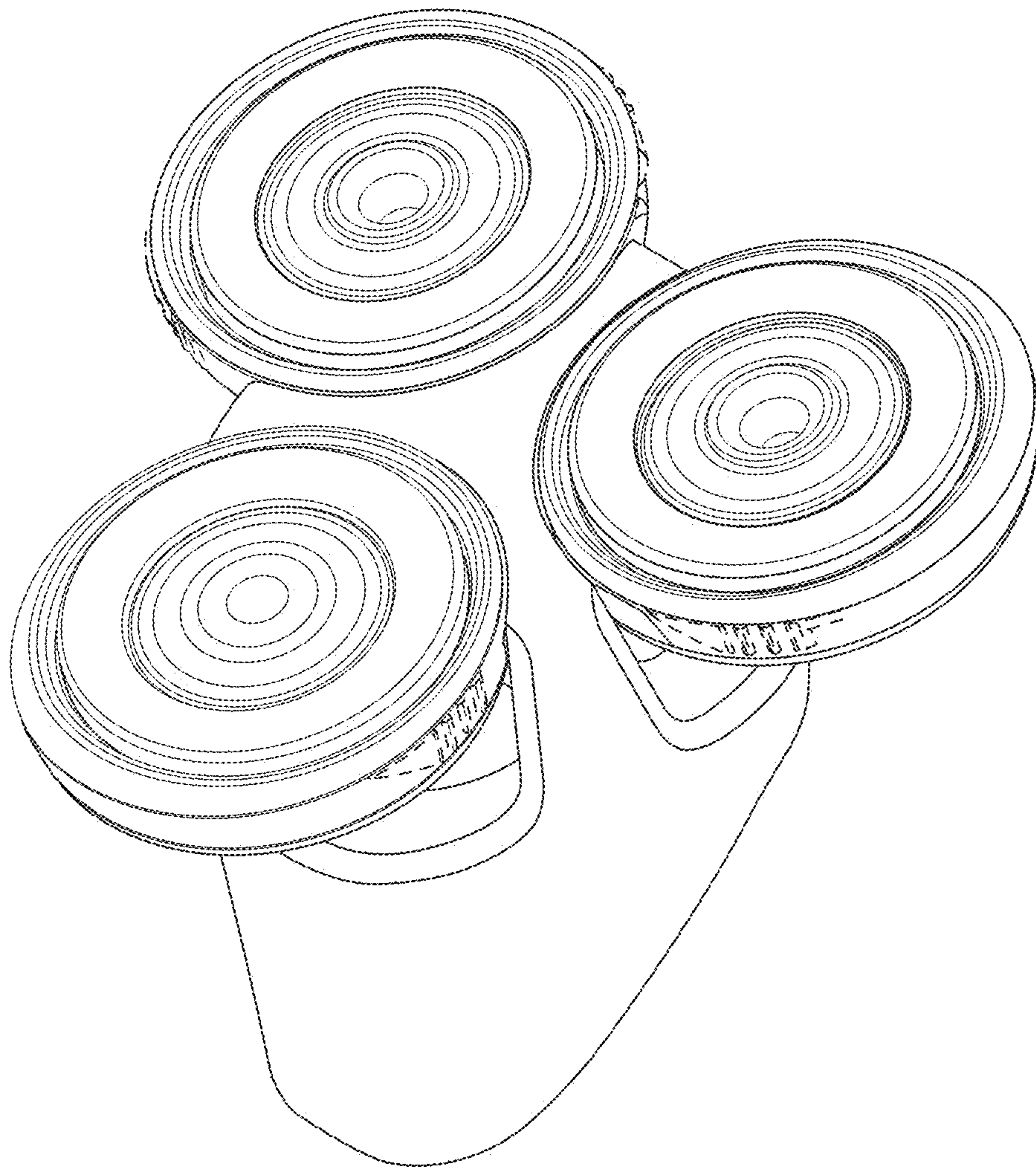


FIG. 8

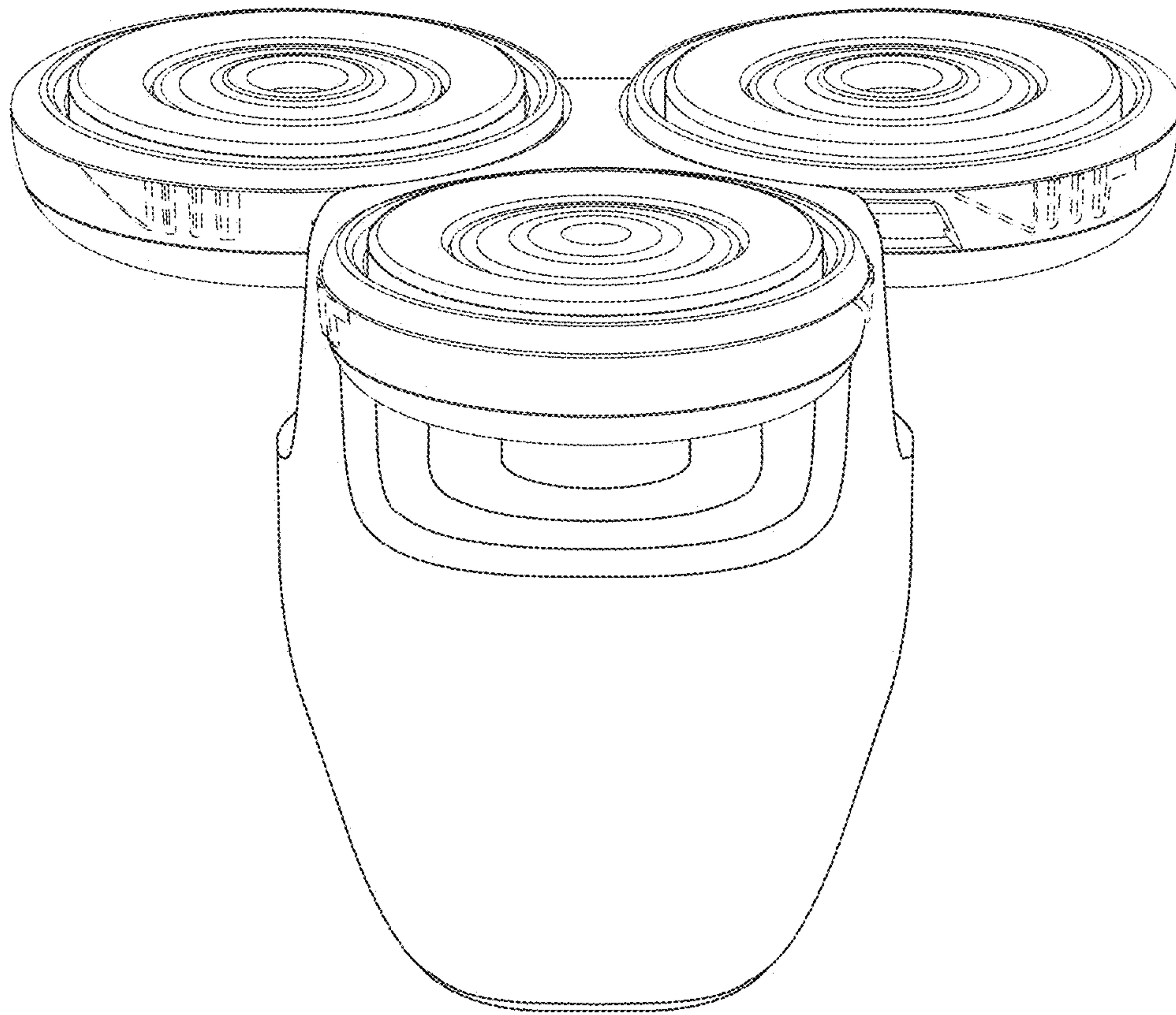


FIG. 9

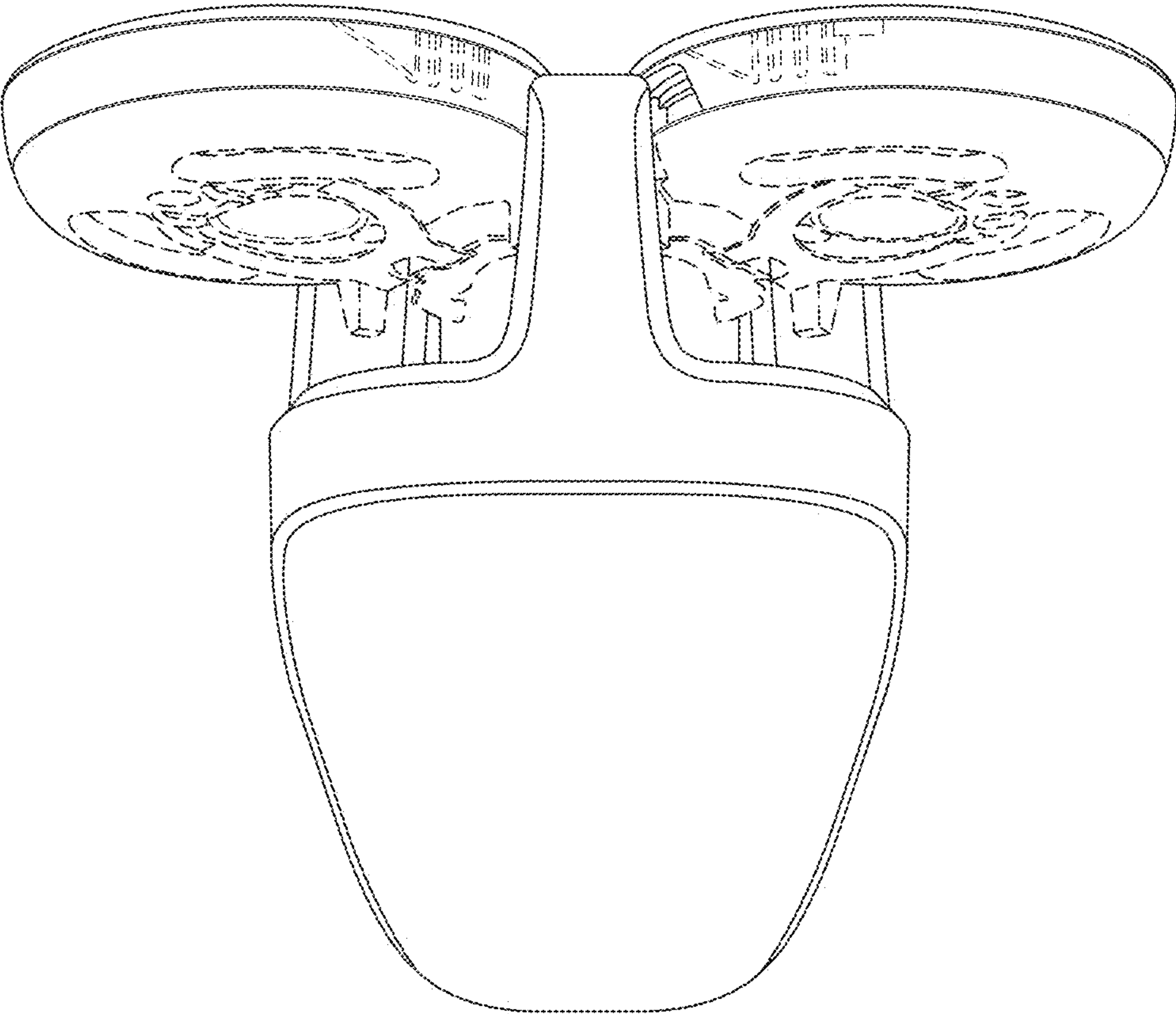


FIG. 10



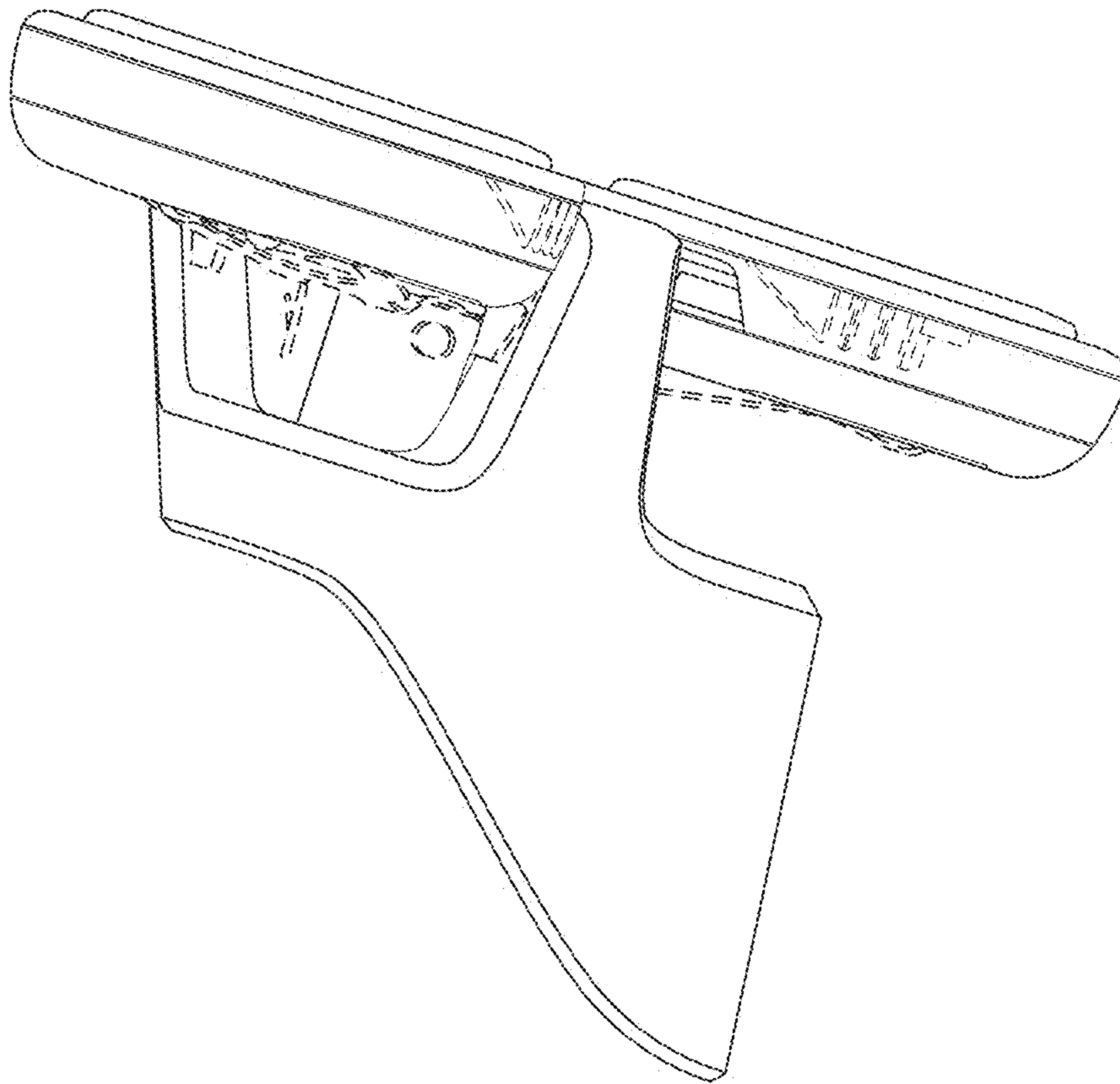


FIG. 11

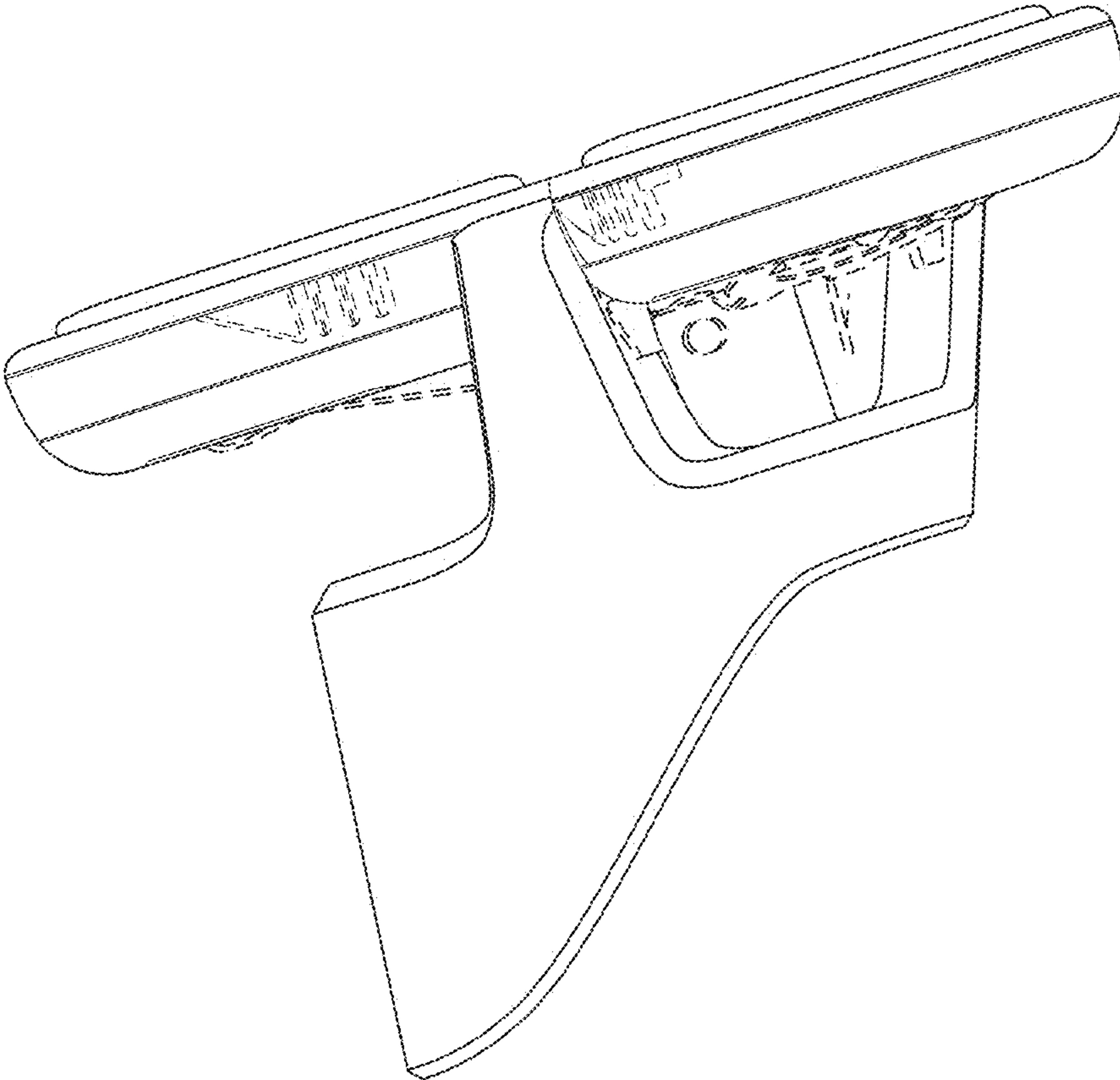


FIG. 12

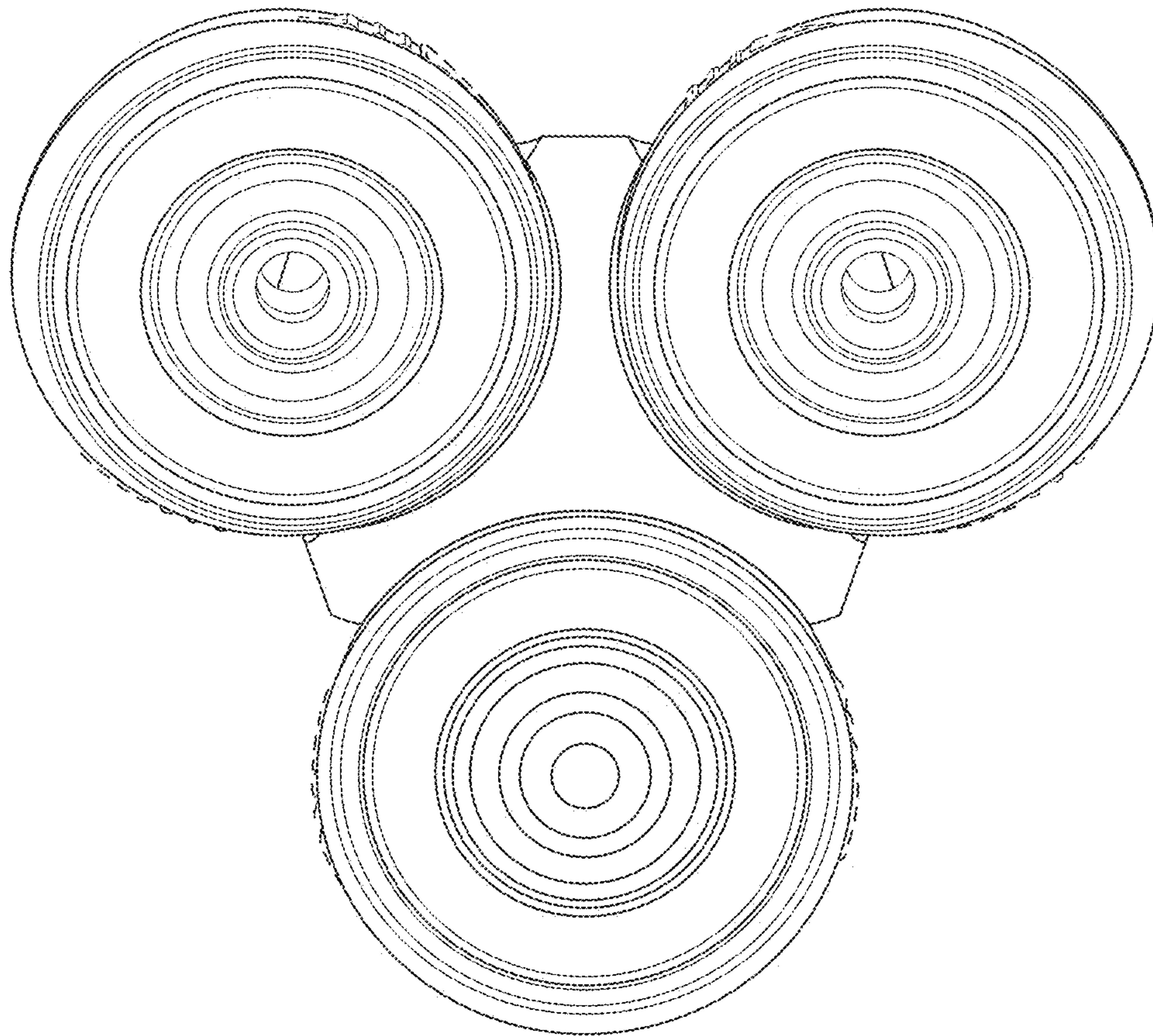


FIG. 13

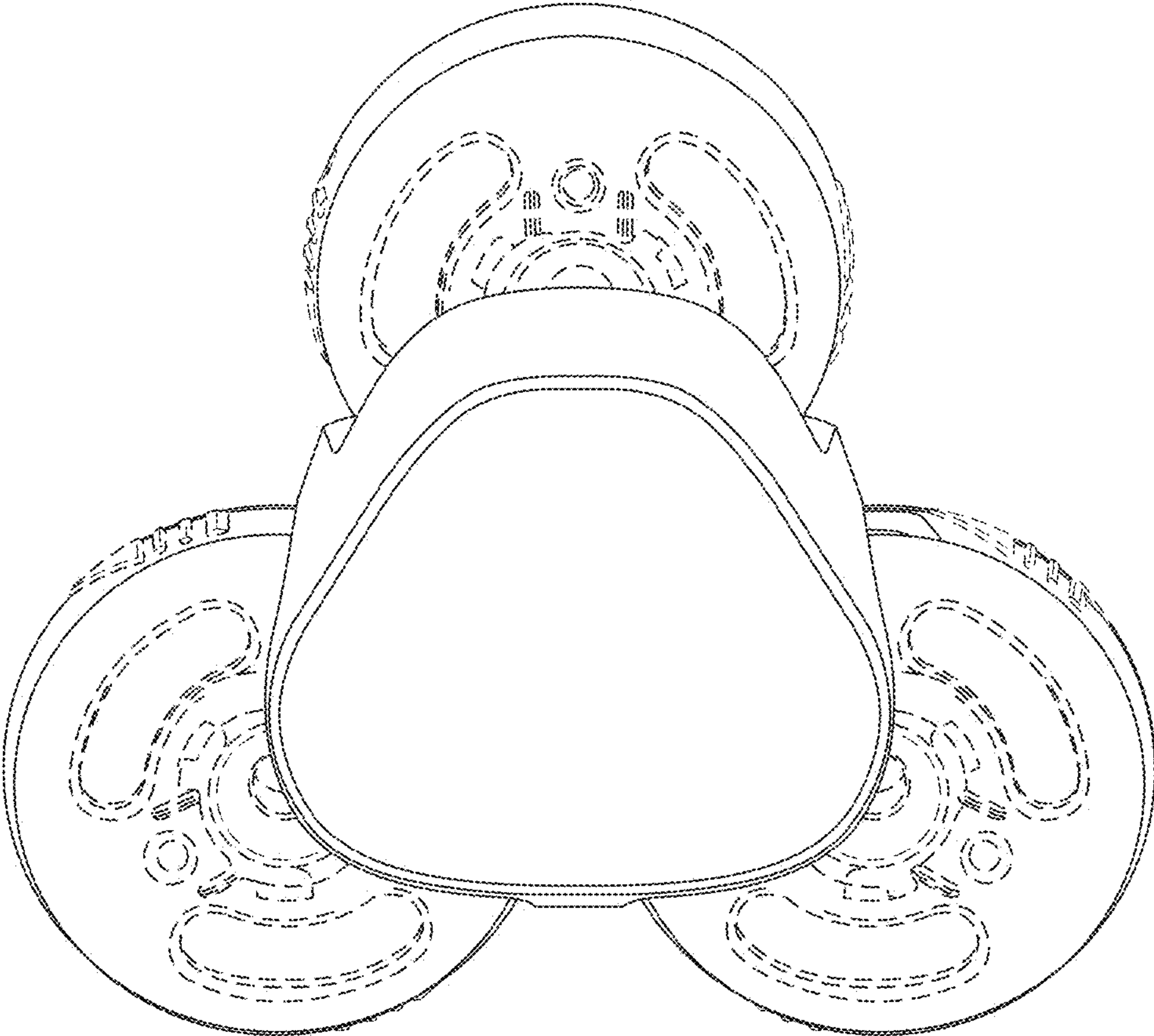


FIG. 14



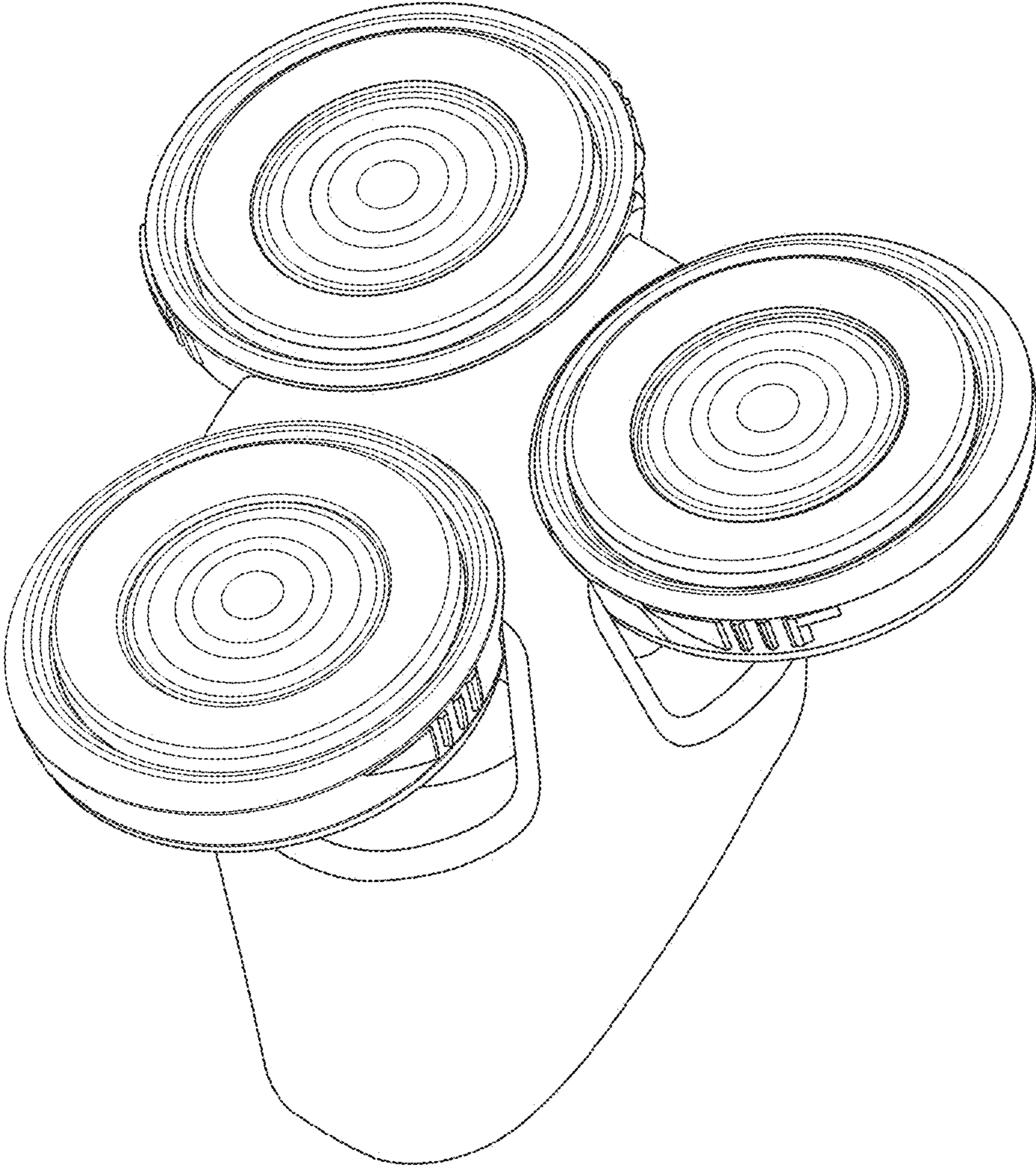


FIG. 15

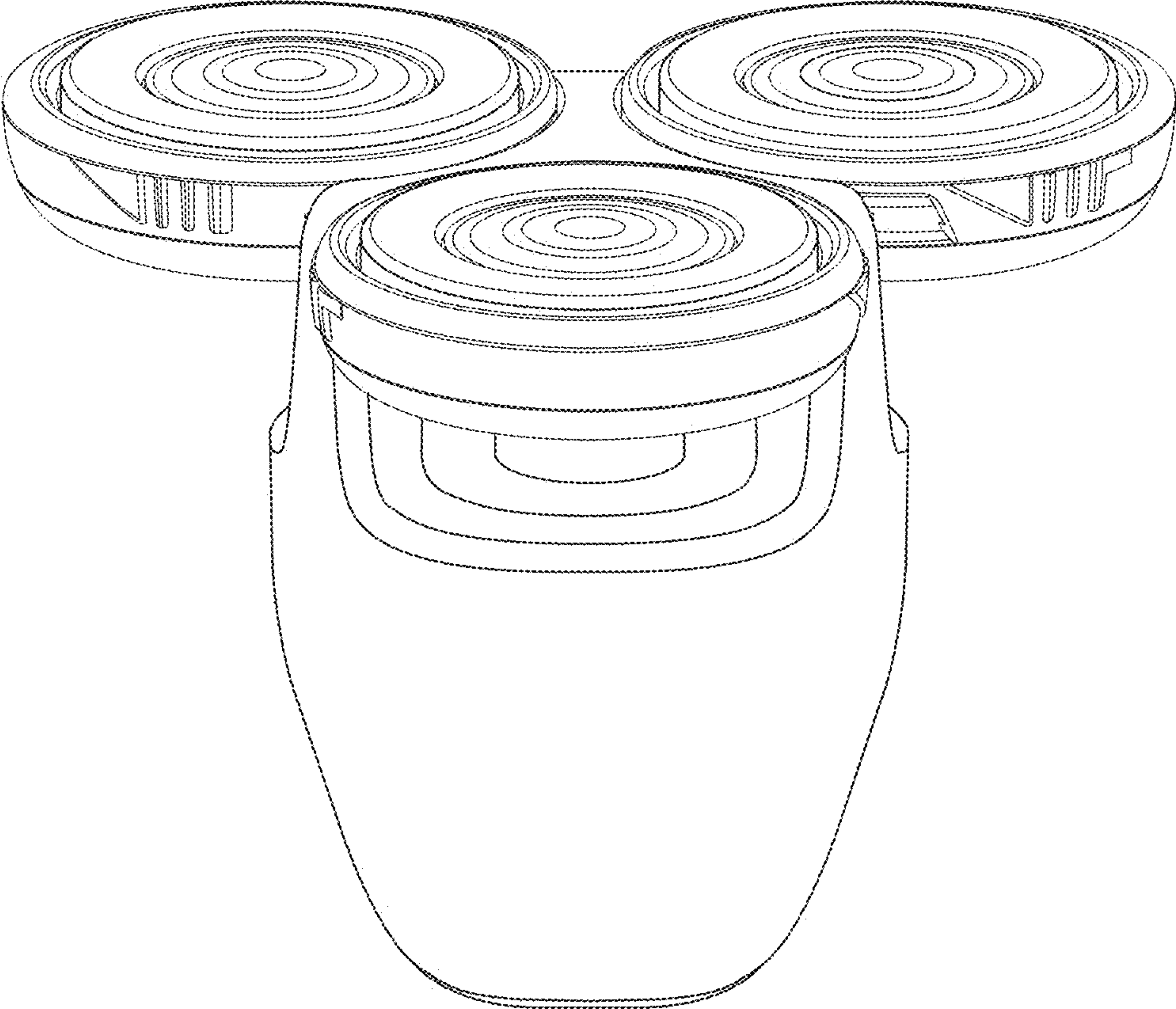


FIG. 16

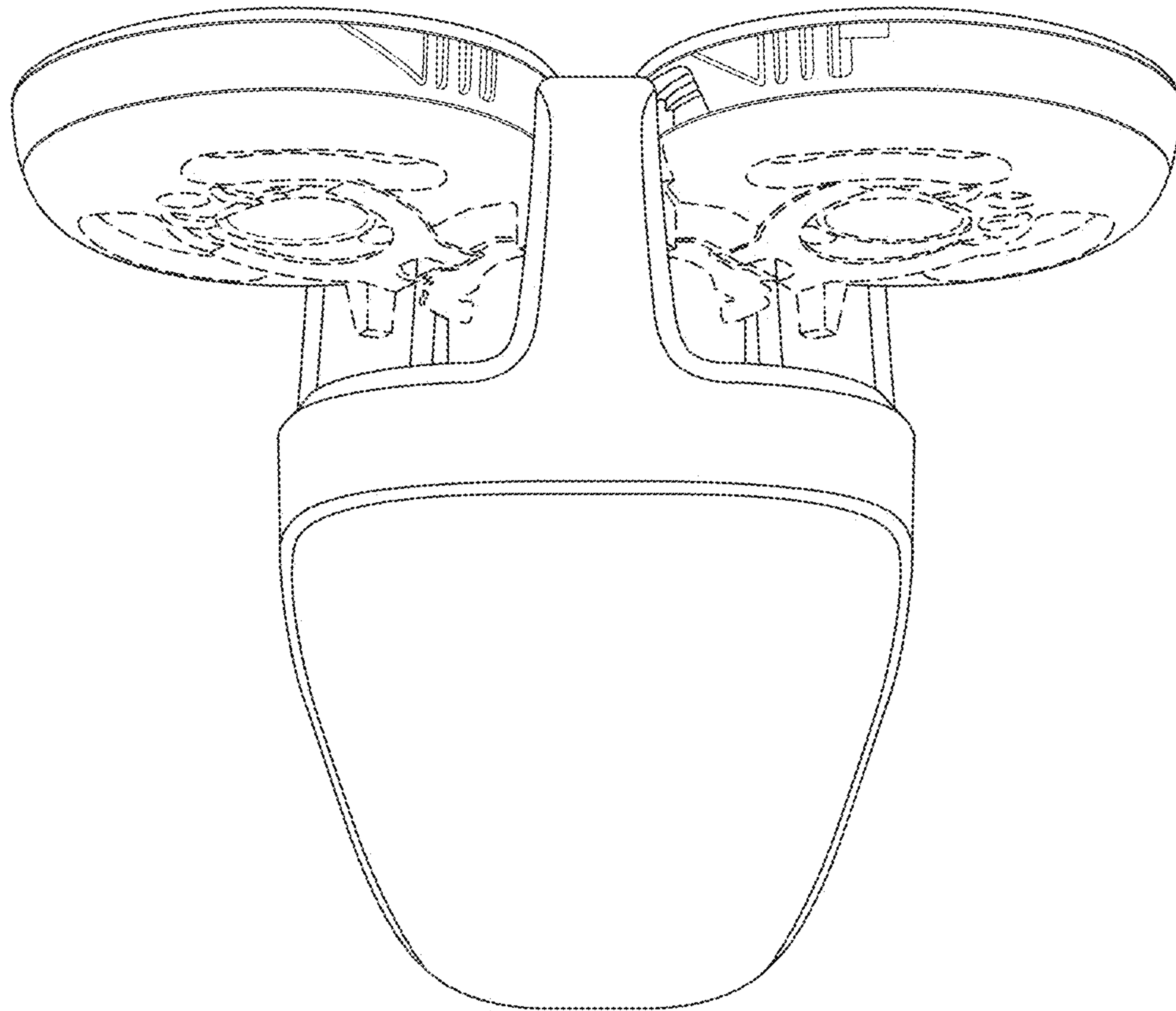


FIG. 17

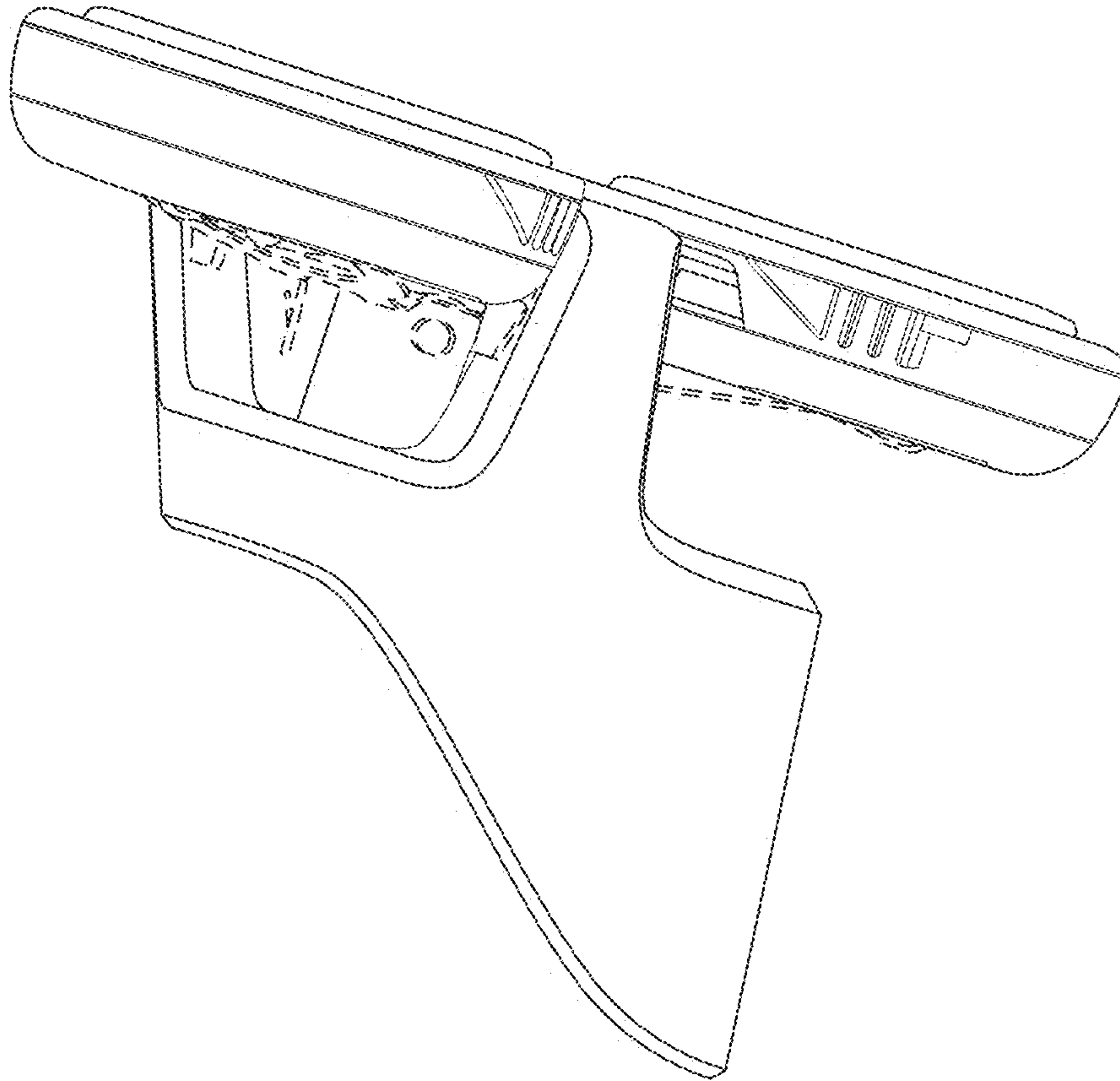


FIG. 18



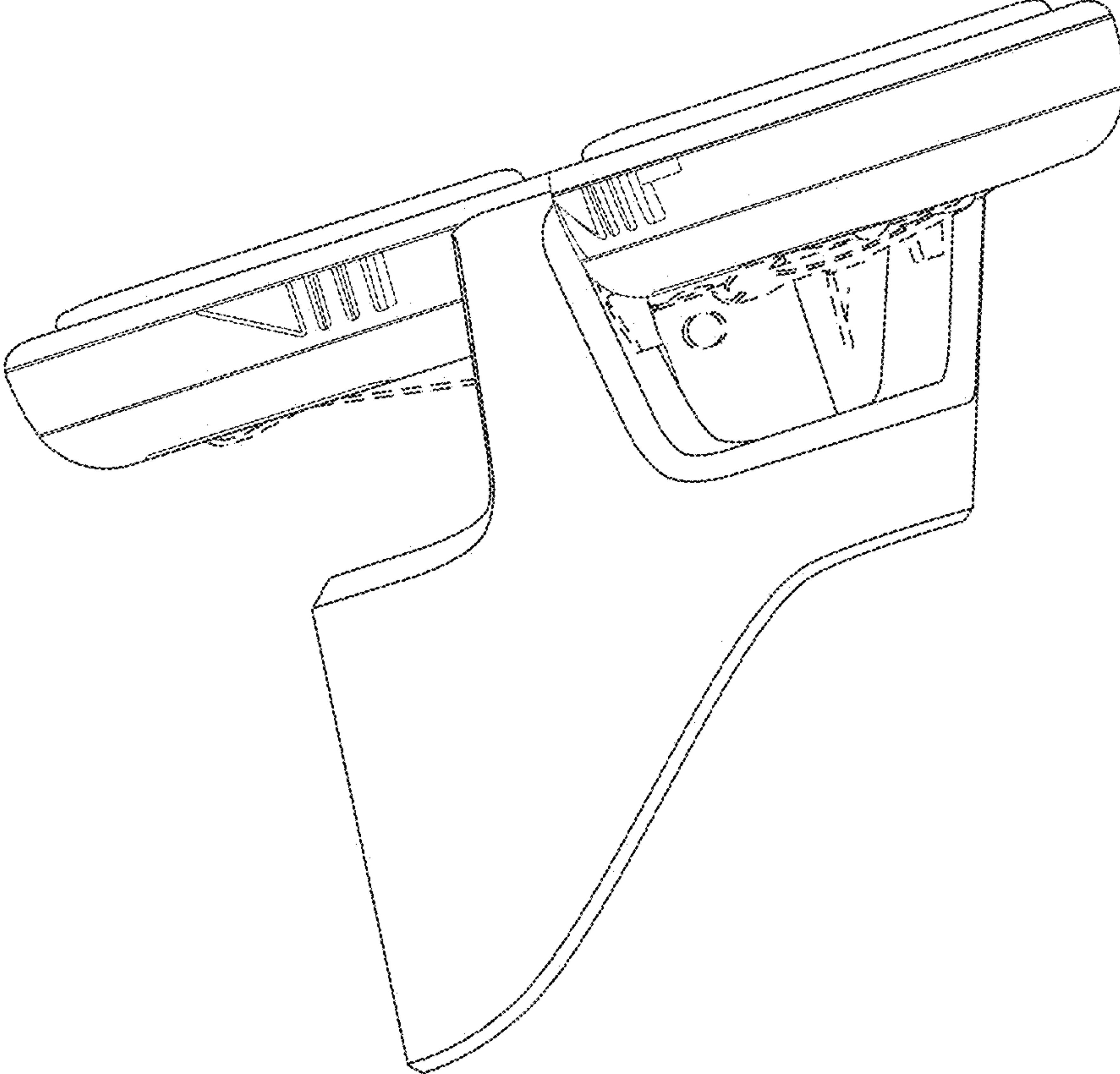


FIG. 19

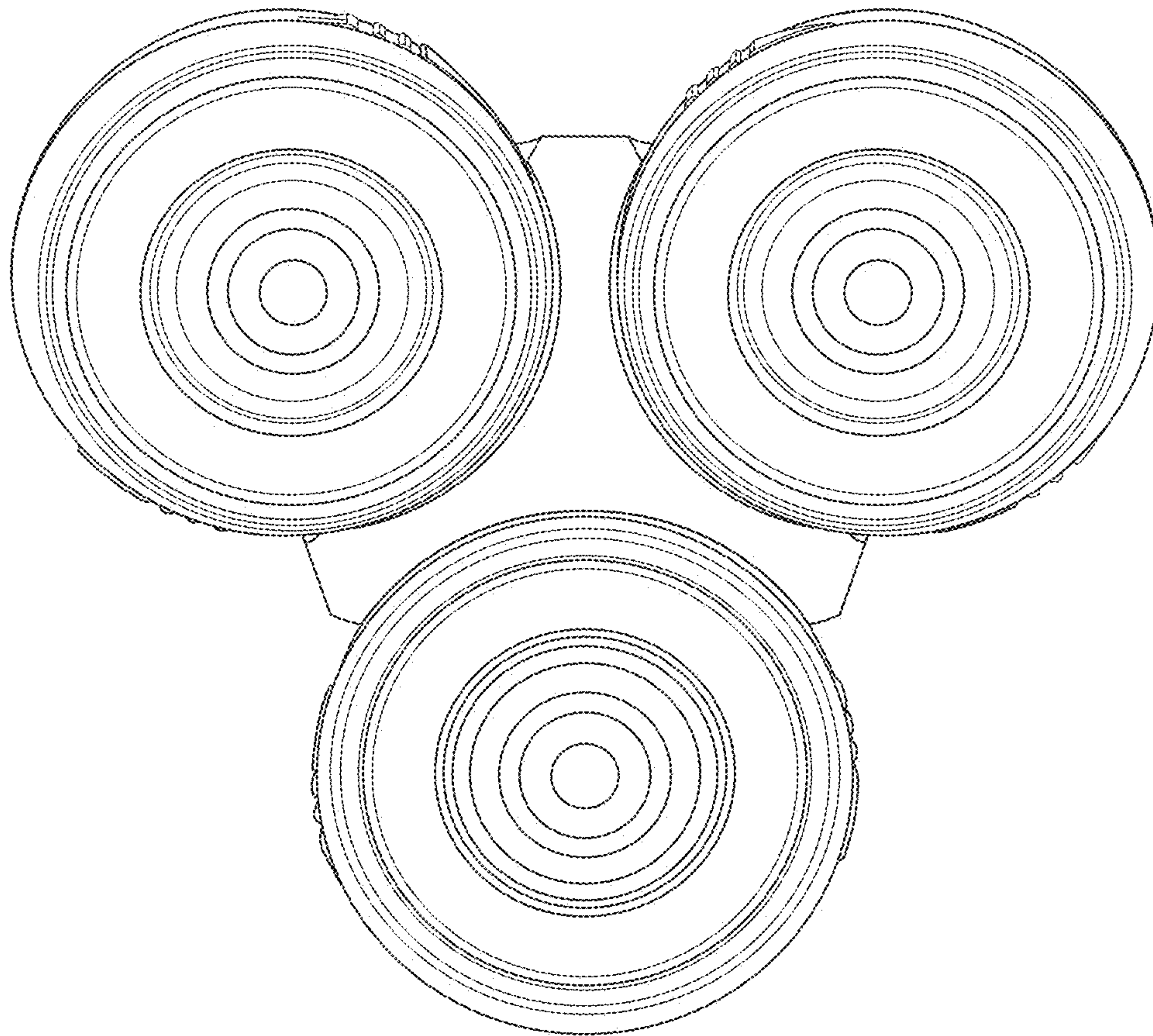


FIG. 20

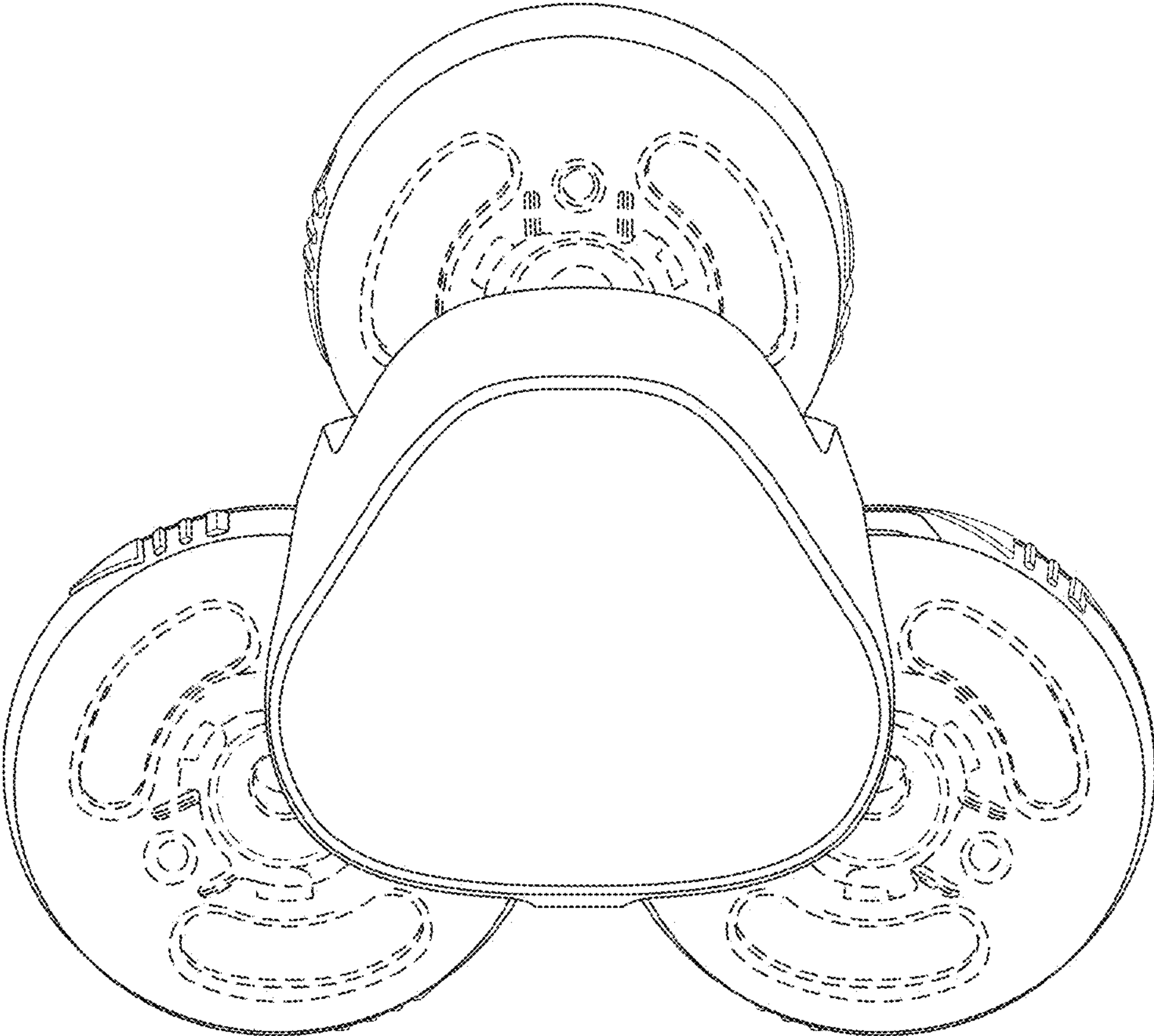


FIG. 21