

US00D965891S

(12) **United States Design Patent**  
**Prat-Pfister**

(10) **Patent No.:** **US D965,891 S**

(45) **Date of Patent:** **\*\* Oct. 4, 2022**

(54) **HEAD FOR SHAVER**

(71) Applicant: **KONINKLIJKE PHILIPS N.V.**,  
Eindhoven (NL)

(72) Inventor: **Gaël Louis Jacques Prat-Pfister**,  
Amersfoort (NL)

(73) Assignee: **KONINKLIJKE PHILIPS N.V.**,  
Eindhoven (NL)

(\*\*) Term: **15 Years**

(21) Appl. No.: **29/738,723**

(22) Filed: **Jun. 19, 2020**

(30) **Foreign Application Priority Data**

Dec. 19, 2019 (EM) ..... 007434253

(51) **LOC (13) Cl.** ..... **28-03**

(52) **U.S. Cl.**  
USPC ..... **D28/50**

(58) **Field of Classification Search**  
USPC ..... D28/49-54, 56-59  
CPC ..... B26B 19/00; B26B 19/12; B26B 19/14;  
B26B 19/28; B26B 19/38; B26B 19/384;  
B26B 19/3853

See application file for complete search history.

(56) **References Cited**

**U.S. PATENT DOCUMENTS**

D259,965 S \* 7/1981 Oord ..... D28/50  
D344,157 S \* 2/1994 Oord ..... D28/50

D405,922 S \* 2/1999 Bone ..... D28/50  
D748,857 S \* 2/2016 Boulanger ..... D28/50  
D758,659 S \* 6/2016 Smith ..... D28/50  
D776,348 S \* 1/2017 Frankel ..... D28/50  
D861,252 S \* 9/2019 Canadas ..... D28/54  
D861,986 S \* 10/2019 Wang ..... D28/50  
D918,474 S \* 5/2021 Lu ..... D28/50  
D930,243 S \* 9/2021 Prat-Pfister ..... D28/50  
D933,298 S \* 10/2021 Parambathkandi  
Abdulhakkim ..... D28/54  
D940,395 S \* 1/2022 Prat-Pfister ..... D28/50

\* cited by examiner

*Primary Examiner* — Alison M Ofstun

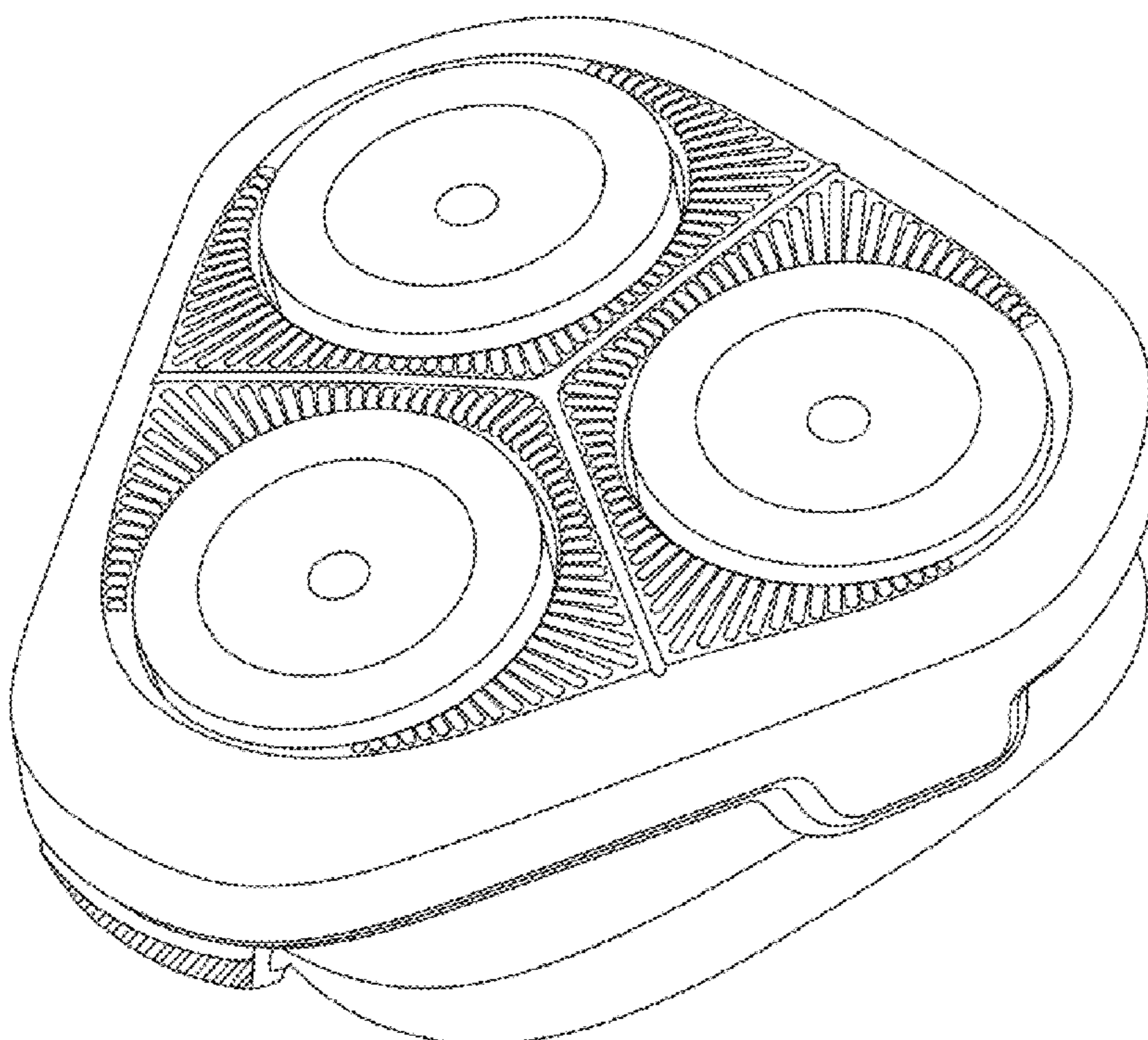
(57) **CLAIM**

The ornamental design for a head for shaver, as shown and described.

**DESCRIPTION**

FIG. 1 is a perspective view showing a head for shaver according to my design;  
FIG. 2 is a front elevational view thereof;  
FIG. 3 is a rear elevational view thereof;  
FIG. 4 is a right side elevational view thereof;  
FIG. 5 is a left side elevational view thereof;  
FIG. 6 is a top plan view thereof; and,  
FIG. 7 is a bottom plan view thereof.

**1 Claim, 4 Drawing Sheets**



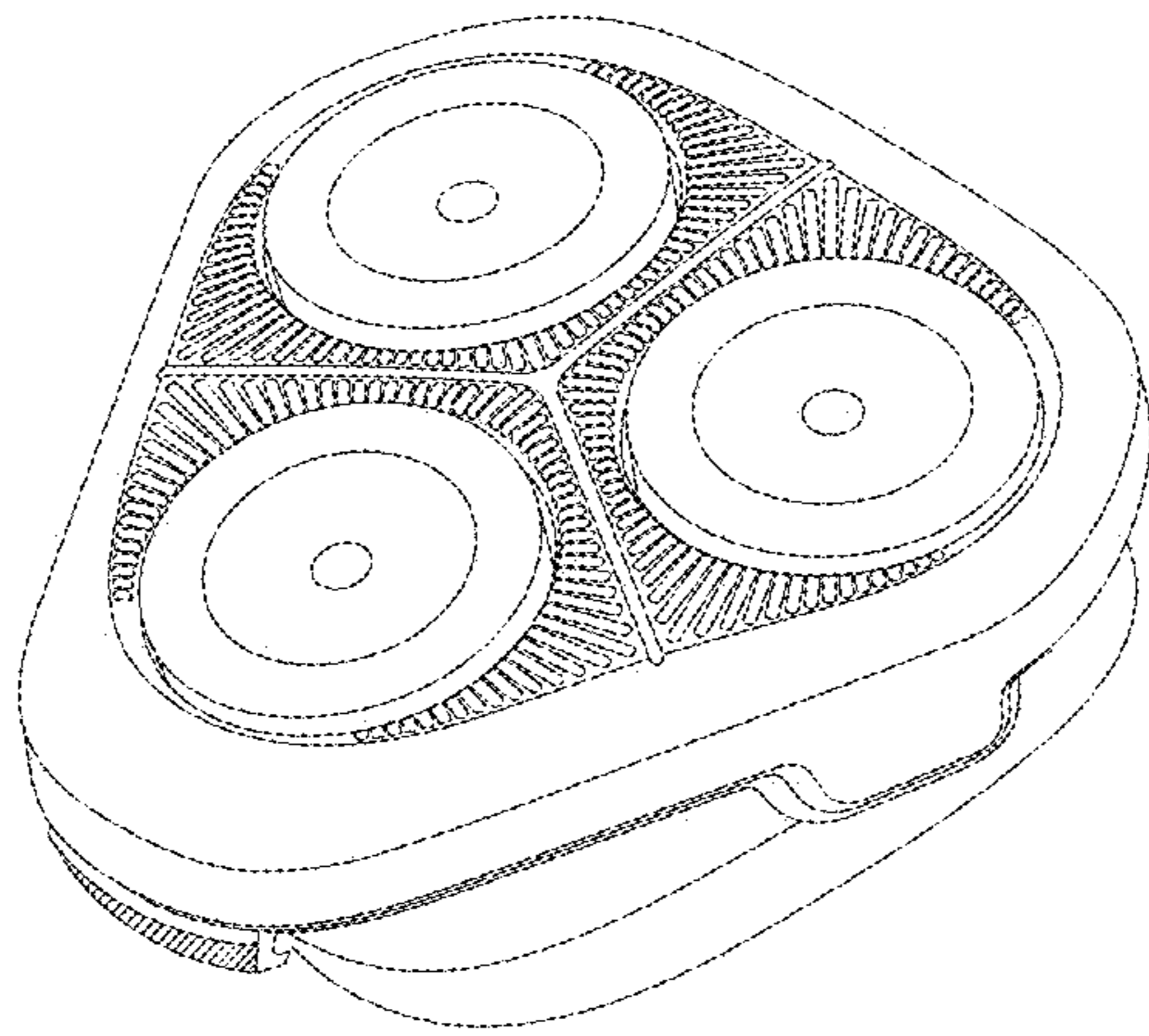


FIG. 1

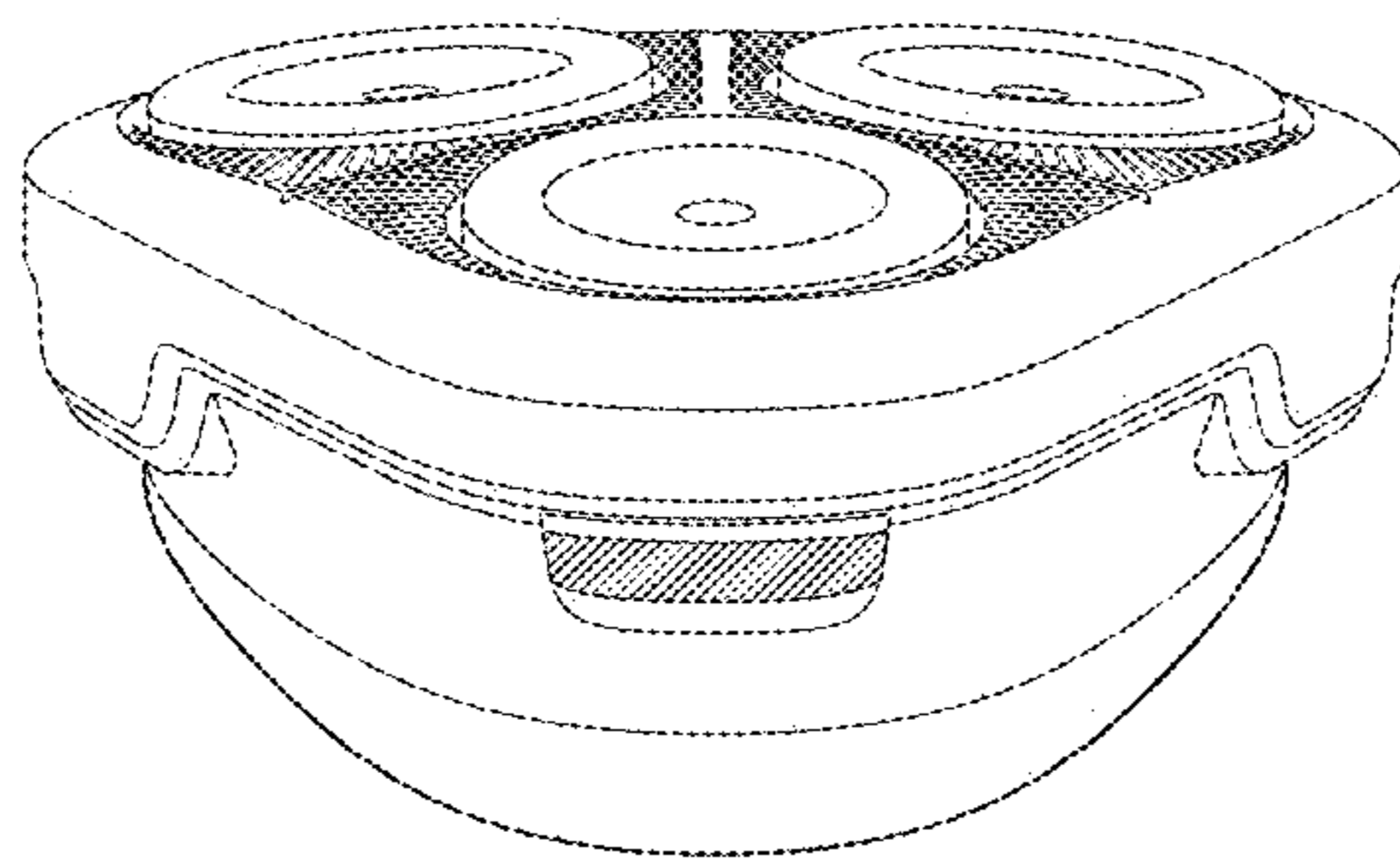


FIG. 2

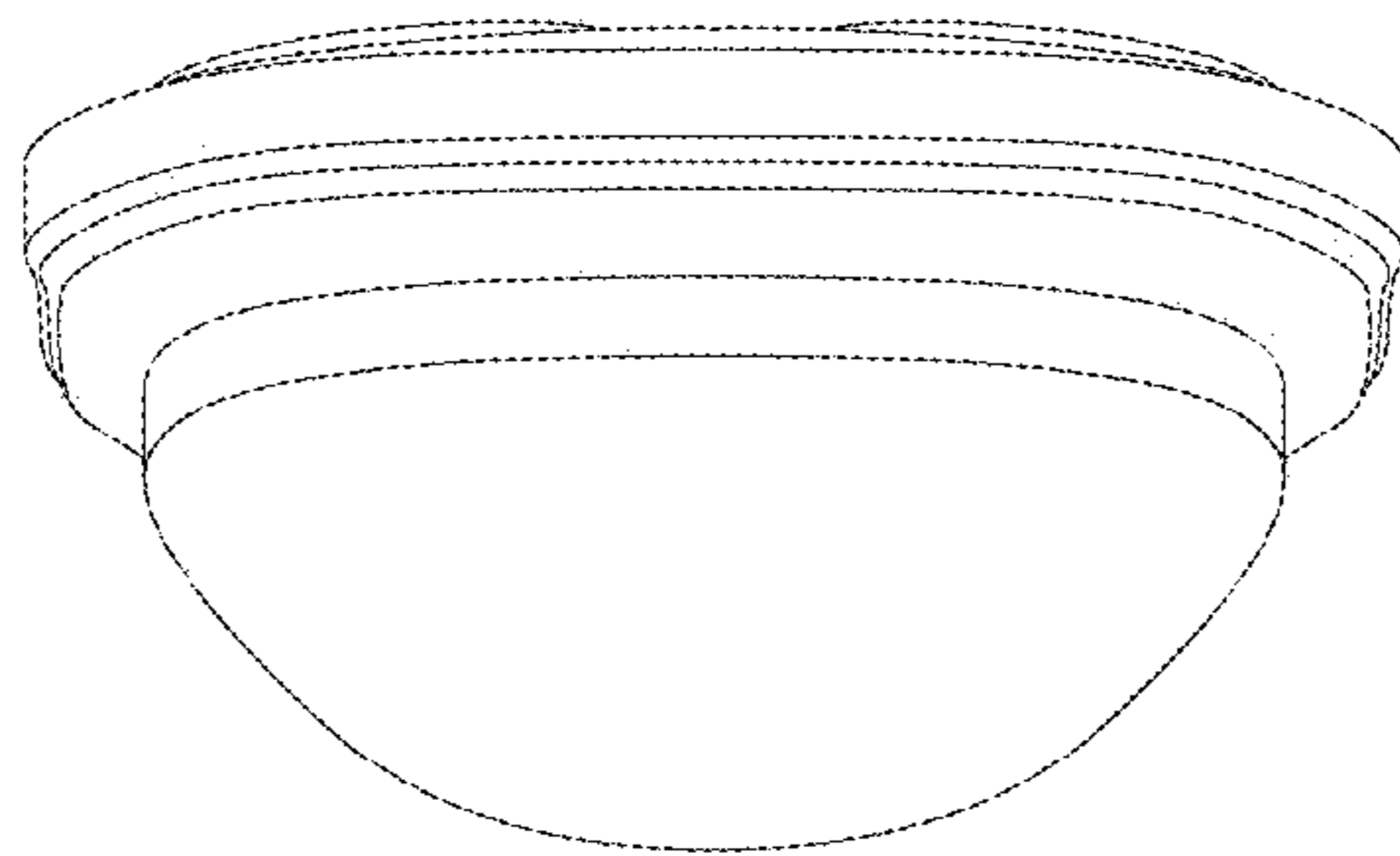


FIG. 3

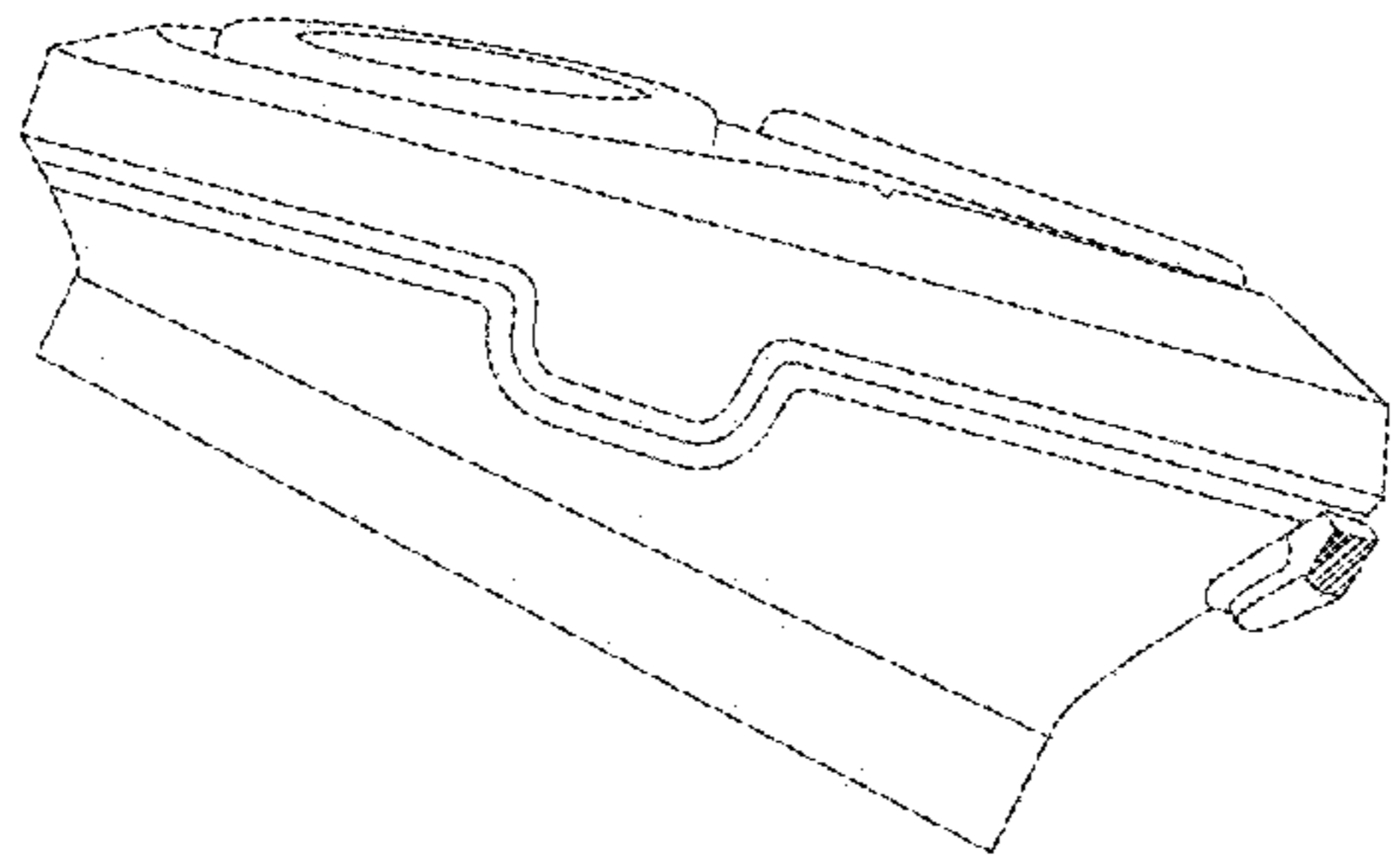


FIG. 4

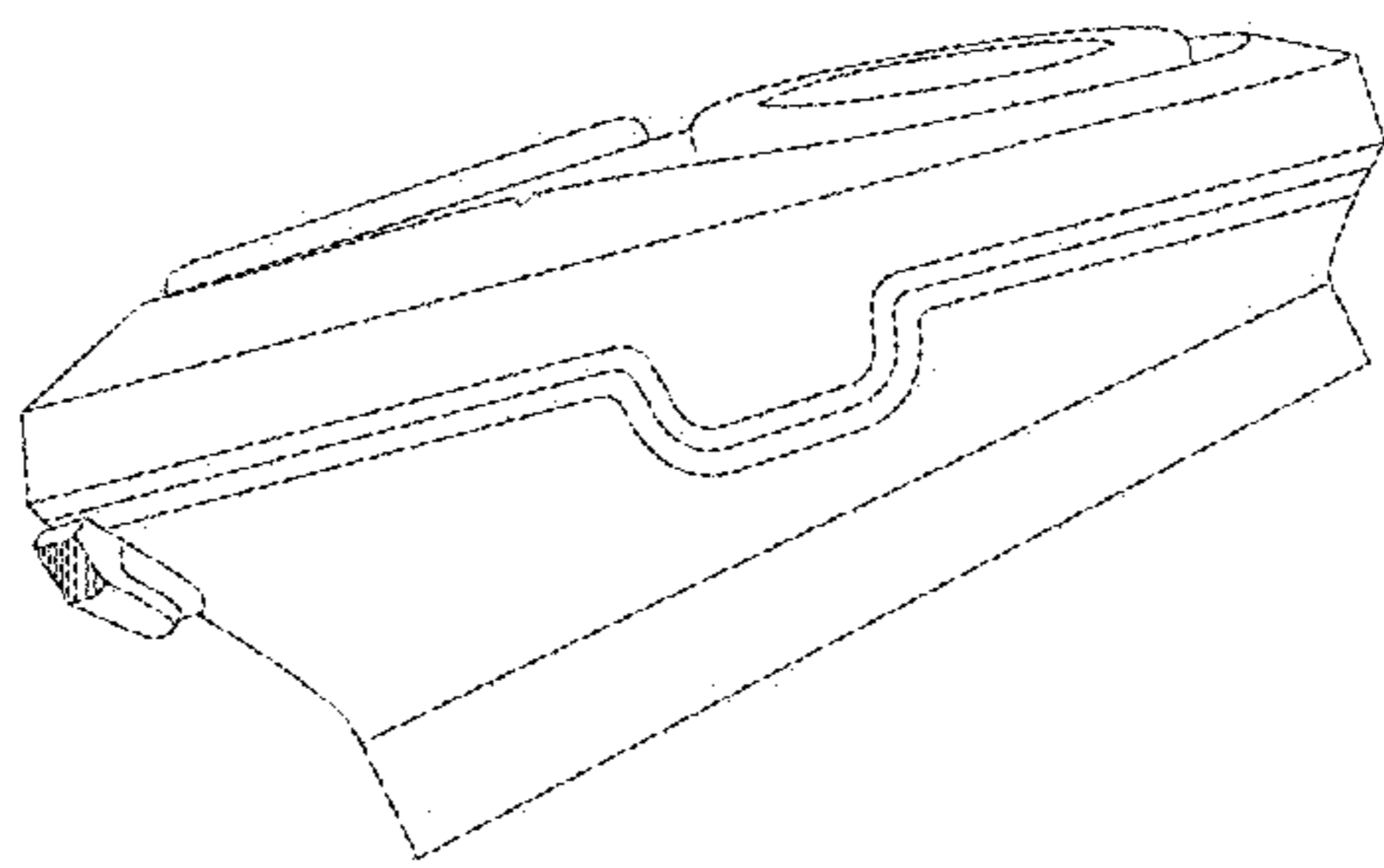


FIG. 5

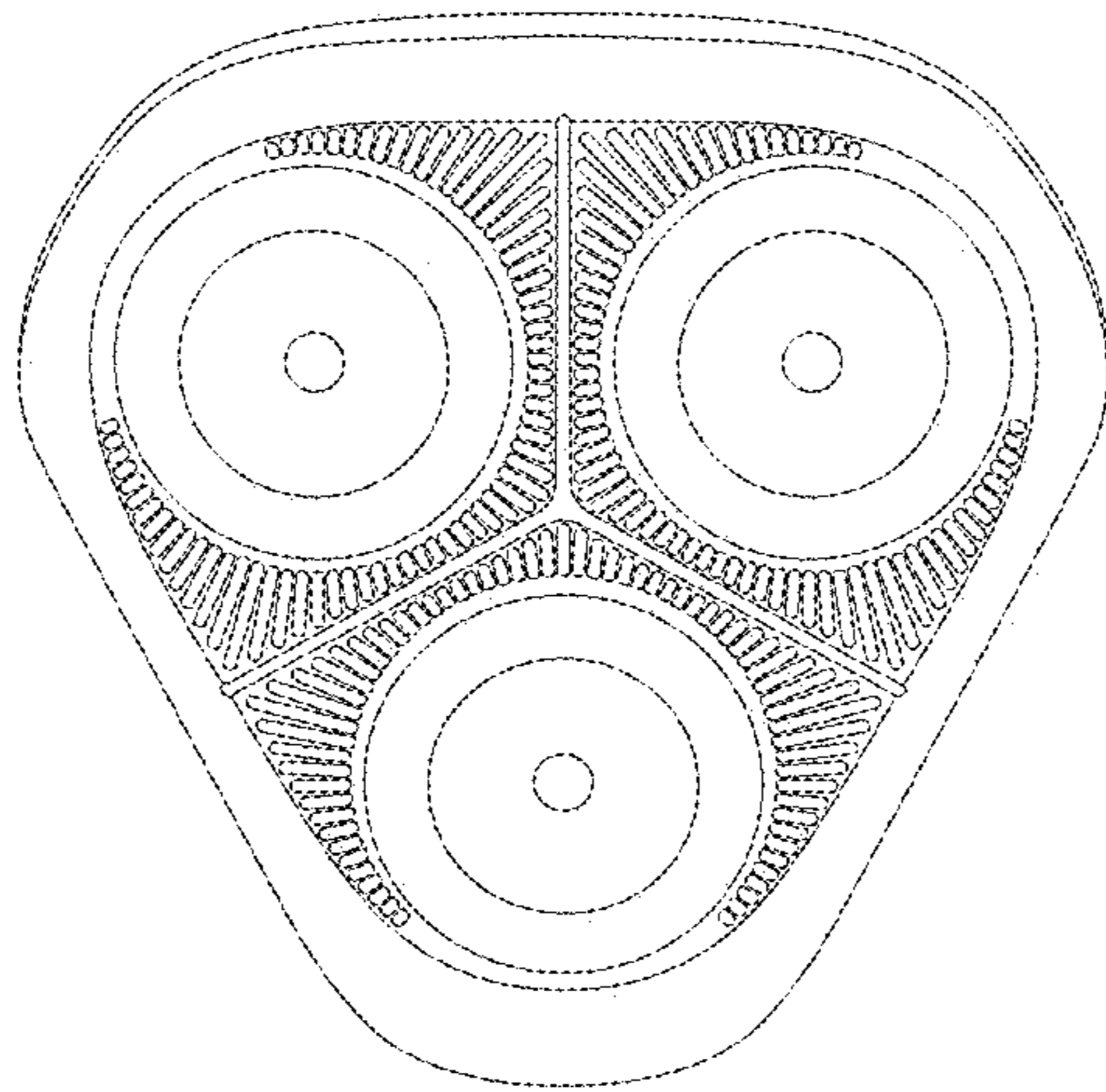


FIG. 6

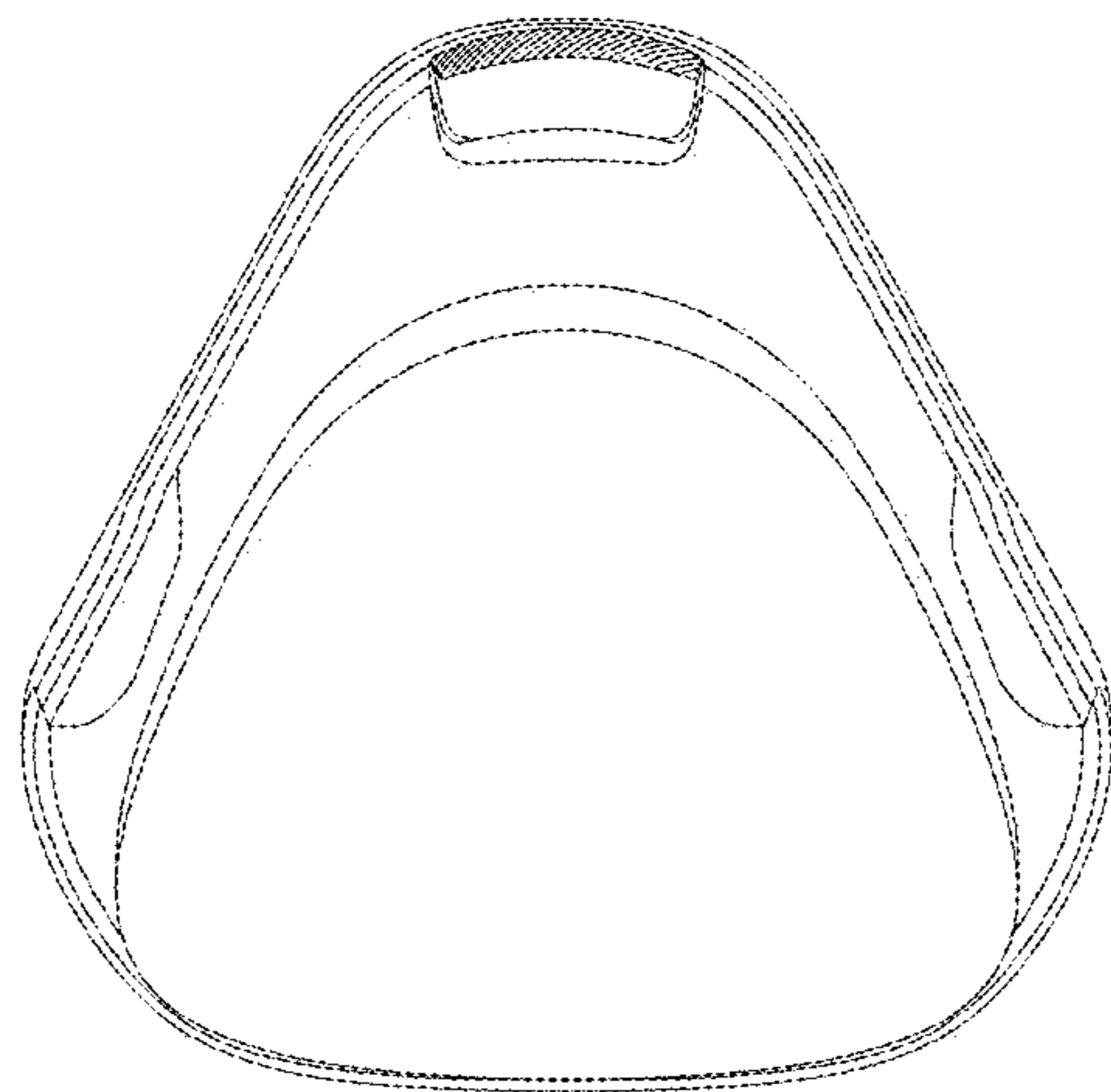


FIG. 7