



US00D965889S

(12) **United States Design Patent** (10) **Patent No.:** **US D965,889 S**  
**Zeng** (45) **Date of Patent:** **\*\* Oct. 4, 2022**

(54) **RAZOR**

(71) Applicant: **Rensong Zeng**, Shenzhen (CN)

(72) Inventor: **Rensong Zeng**, Shenzhen (CN)

(\*\*) Term: **15 Years**

(21) Appl. No.: **29/797,032**

(22) Filed: **Jun. 29, 2021**

(51) **LOC (13) Cl.** ..... **28-03**

(52) **U.S. Cl.**  
USPC ..... **D28/49**

(58) **Field of Classification Search**  
USPC ..... D28/44-54; D13/108  
CPC ..... B26B 19/00; B26B 19/12; B26B 19/14;  
B26B 19/30; B26B 19/38; B26B 19/3853;  
B26B 19/3873; B26B 21/00; B26B 21/08;  
B26B 21/20; B26B 21/52  
See application file for complete search history.

(56) **References Cited**

**U.S. PATENT DOCUMENTS**

D429,377	S	*	8/2000	Allende	.....	D28/49
D463,883	S	*	10/2002	van Asten	.....	D28/51
D506,034	S	*	6/2005	Cornelissen	.....	D28/46
D558,399	S	*	12/2007	Seki	.....	D28/49
10,104,950	B1	*	10/2018	Provost	.....	A45D 27/29
10,421,203	B2	*	9/2019	Perez Lopez	.....	B26B 19/3886
D874,725	S		2/2020	Riehle et al.		
D874,728	S		2/2020	McGarry et al.		
D891,696	S	*	7/2020	Van Maanen	.....	D28/44
D908,962	S		1/2021	Tran		
11,260,550	B2	*	3/2022	Neyer	.....	B26B 19/38
2002/0153863	A1	*	10/2002	Arndt	.....	H01R 13/2464 320/115

(Continued)

**FOREIGN PATENT DOCUMENTS**

EM 008677330-0001 \* 9/2021

**OTHER PUBLICATIONS**

Electric Razor for Women, Akunbem, reviewed on Aug. 9, 2021 on amazon.com, retrieved on Mar. 30, 2022, retrieved from the Internet URL: [https://www.amazon.com/Electric-Underarm-Rechargeable-Painless-Detachable/dp/B09CCNXG6V/ref=sr\\_1\\_3?crid=372Q1DM0RRLMC&keywords=womens%2Brazor%2Bwith%2Bcharging%2Bstand&qid=1648653054&s.\\*](https://www.amazon.com/Electric-Underarm-Rechargeable-Painless-Detachable/dp/B09CCNXG6V/ref=sr_1_3?crid=372Q1DM0RRLMC&keywords=womens%2Brazor%2Bwith%2Bcharging%2Bstand&qid=1648653054&s.*)

(Continued)

*Primary Examiner* — Alison M Ofstun

(74) *Attorney, Agent, or Firm* — Andrew C. Cheng

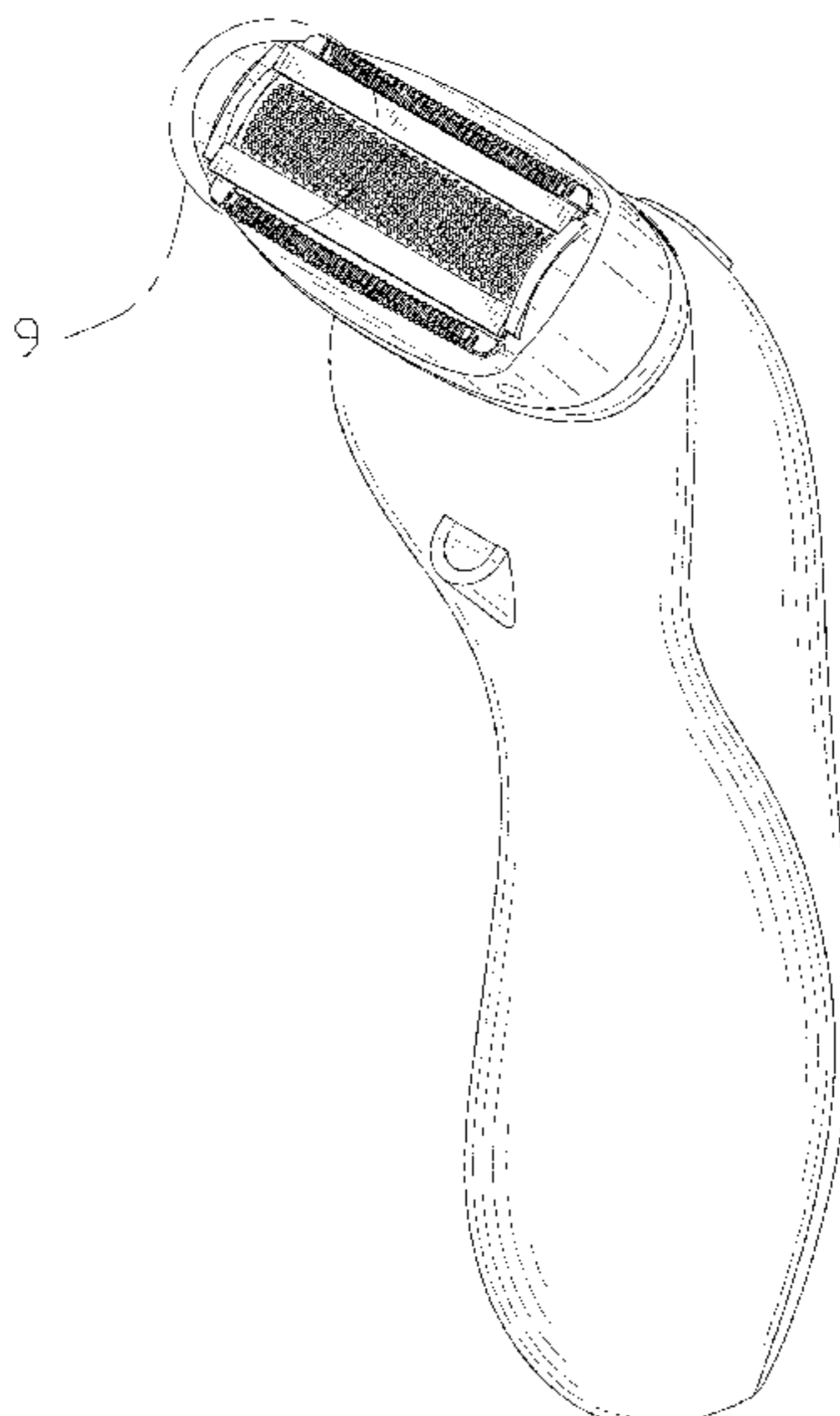
(57) **CLAIM**

The ornamental design for a razor, as shown and described.

**DESCRIPTION**

FIG. 1 is a first perspective view of a razor showing my new design;  
FIG. 2 is a second perspective view thereof;  
FIG. 3 is a front elevational view thereof;  
FIG. 4 is a rear elevational view thereof;  
FIG. 5 is a left elevational view thereof;  
FIG. 6 is a right elevational view thereof;  
FIG. 7 is a top plan view thereof;  
FIG. 8 is a bottom plan view thereof;  
FIG. 9 is an enlarged view of a portion “9” shown in FIG. 1;  
FIG. 10 is a perspective view thereof, shown in an environment of use; and,  
FIG. 11 is a perspective view thereof, shown in a second environment of use.  
The evenly spaced broken lines in the drawings illustrate portions of the razor which form no part of the claimed design. In FIGS. 10 and 11, the evenly spaced broken lines showing a charging base and limiting comb illustrate environmental subject matter and form no part of the claimed design. The dash-dot broken lines illustrate enlarged view indicators and form no part of the claimed design.

**1 Claim, 11 Drawing Sheets**



(56)

**References Cited**

U.S. PATENT DOCUMENTS

2008/0263869 A1 \* 10/2008 Floessholzer ..... B26B 19/3873  
30/346.51  
2016/0307712 A1 \* 10/2016 Nishimura ..... B26B 19/388  
2018/0085953 A1 \* 3/2018 Perez Lopez ..... B26B 19/384  
2019/0061183 A1 \* 2/2019 Neyer ..... B26B 19/382  
2019/0299437 A1 \* 10/2019 Fuellgrabe ..... B26B 19/042  
2021/0023729 A1 \* 1/2021 Langberg ..... B26B 19/386  
2021/0268674 A1 \* 9/2021 Weschta ..... B26B 19/146

OTHER PUBLICATIONS

Electric Shaver for Women, Krovena, reviewed on Aug. 2, 2021 on amazon.com, retrieved on Mar. 30, 2022, retrieved from the Internet URL: [https://www.amazon.com/dp/B097DK38DP/ref=sspa\\_dk\\_detail\\_0?psc=1p13NParams&spLa=ZW5jenlwdGVkUXVhbGlmaWVyPUExMVZlWUYyVVdUMFIRJmVuY3J5cHRIZEikPUEwNDEzNTkzQVBLMUZITDVPQUhRmVuY3J5cHRIZEFk](https://www.amazon.com/dp/B097DK38DP/ref=sspa_dk_detail_0?psc=1p13NParams&spLa=ZW5jenlwdGVkUXVhbGlmaWVyPUExMVZlWUYyVVdUMFIRJmVuY3J5cHRIZEikPUEwNDEzNTkzQVBLMUZITDVPQUhRmVuY3J5cHRIZEFk).\*

Women Electric Razor, Ribivaul, reviewed on Jun. 11, 2020 on amazon.com, retrieved on Mar. 30, 2022, retrieved from the Internet URL: [https://www.amazon.com/Electric-Ribivaul-Floating-Rechargeable-Charging/dp/B08CXZGSNR/ref=sr\\_1\\_7?crid=372Q1DM0RRLMC&keywords=womens%2Brazor%2Bwith%2Bcharging%2Bstand&qid=1648654647&spref](https://www.amazon.com/Electric-Ribivaul-Floating-Rechargeable-Charging/dp/B08CXZGSNR/ref=sr_1_7?crid=372Q1DM0RRLMC&keywords=womens%2Brazor%2Bwith%2Bcharging%2Bstand&qid=1648654647&spref).\*

\* cited by examiner

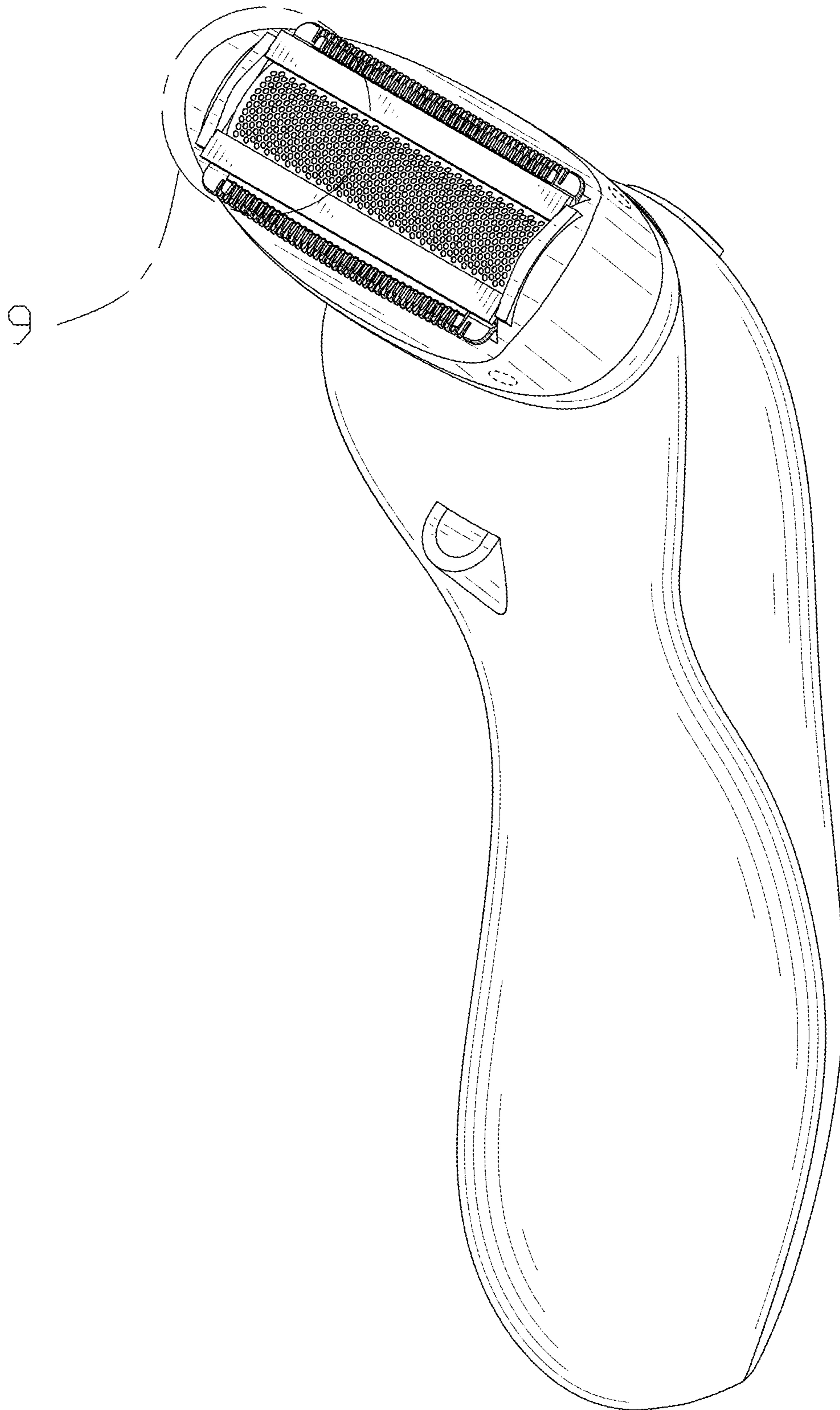


FIG. 1

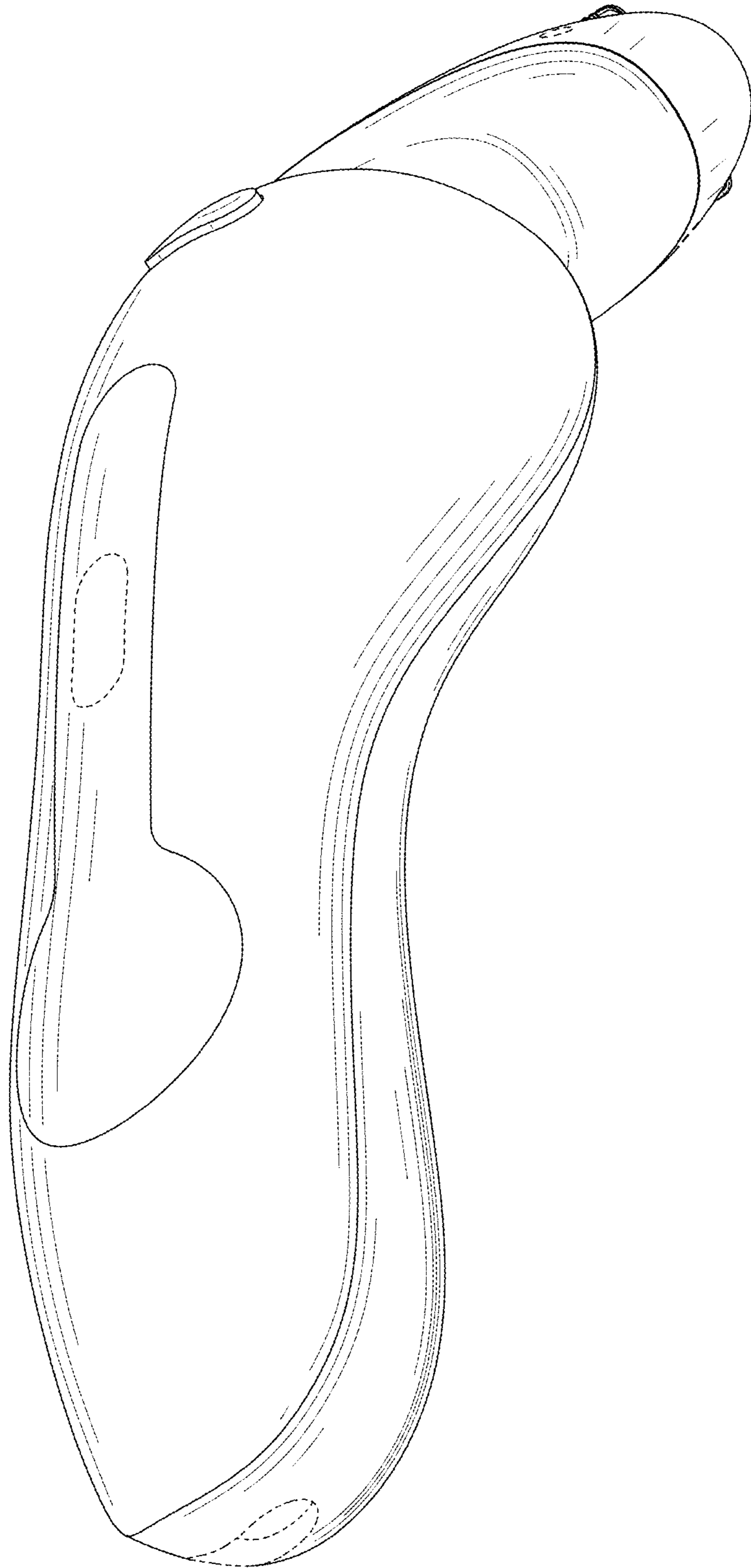


FIG. 2



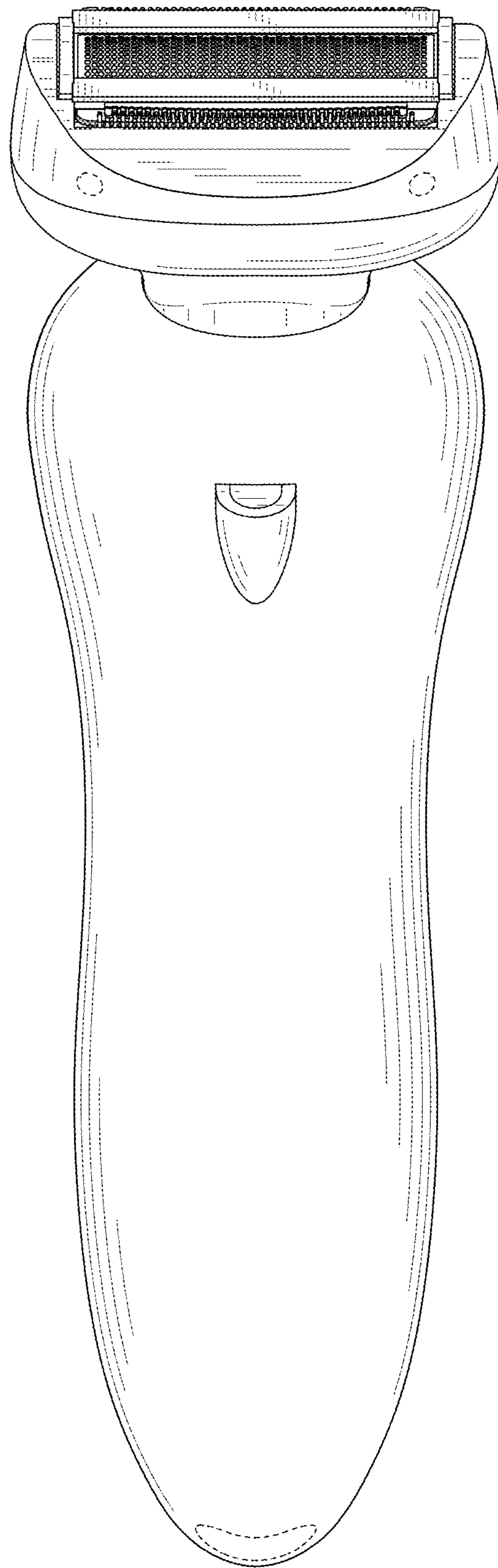


FIG. 3

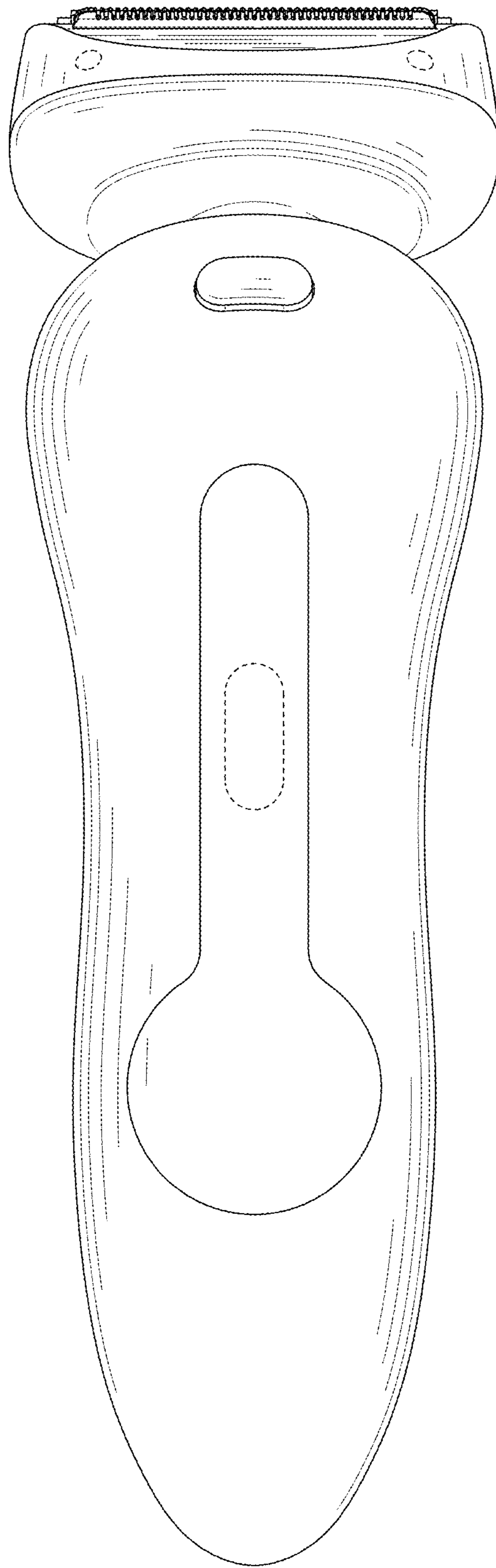


FIG. 4

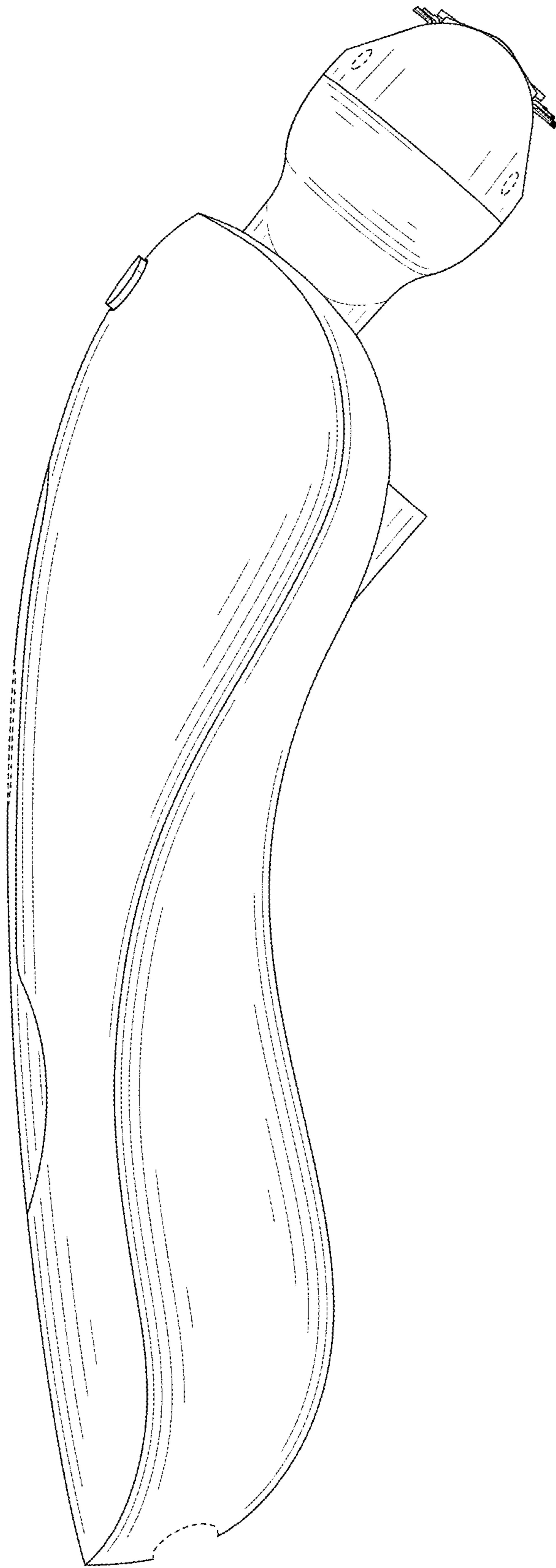


FIG. 5

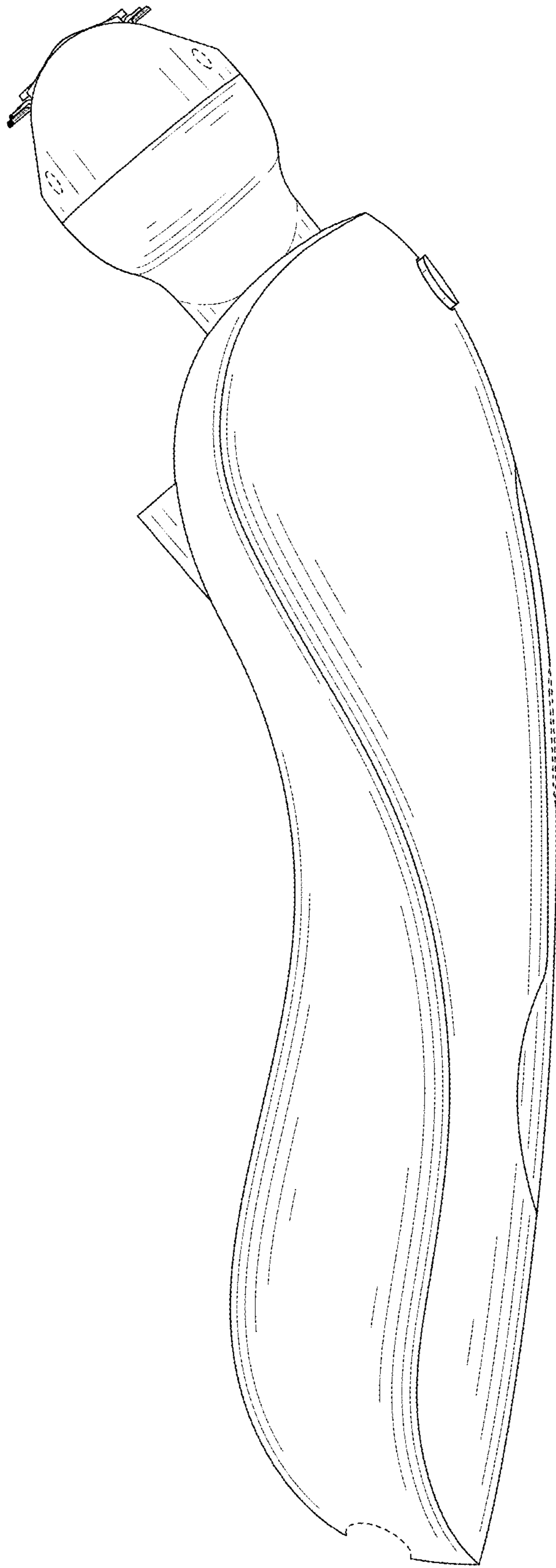


FIG. 6



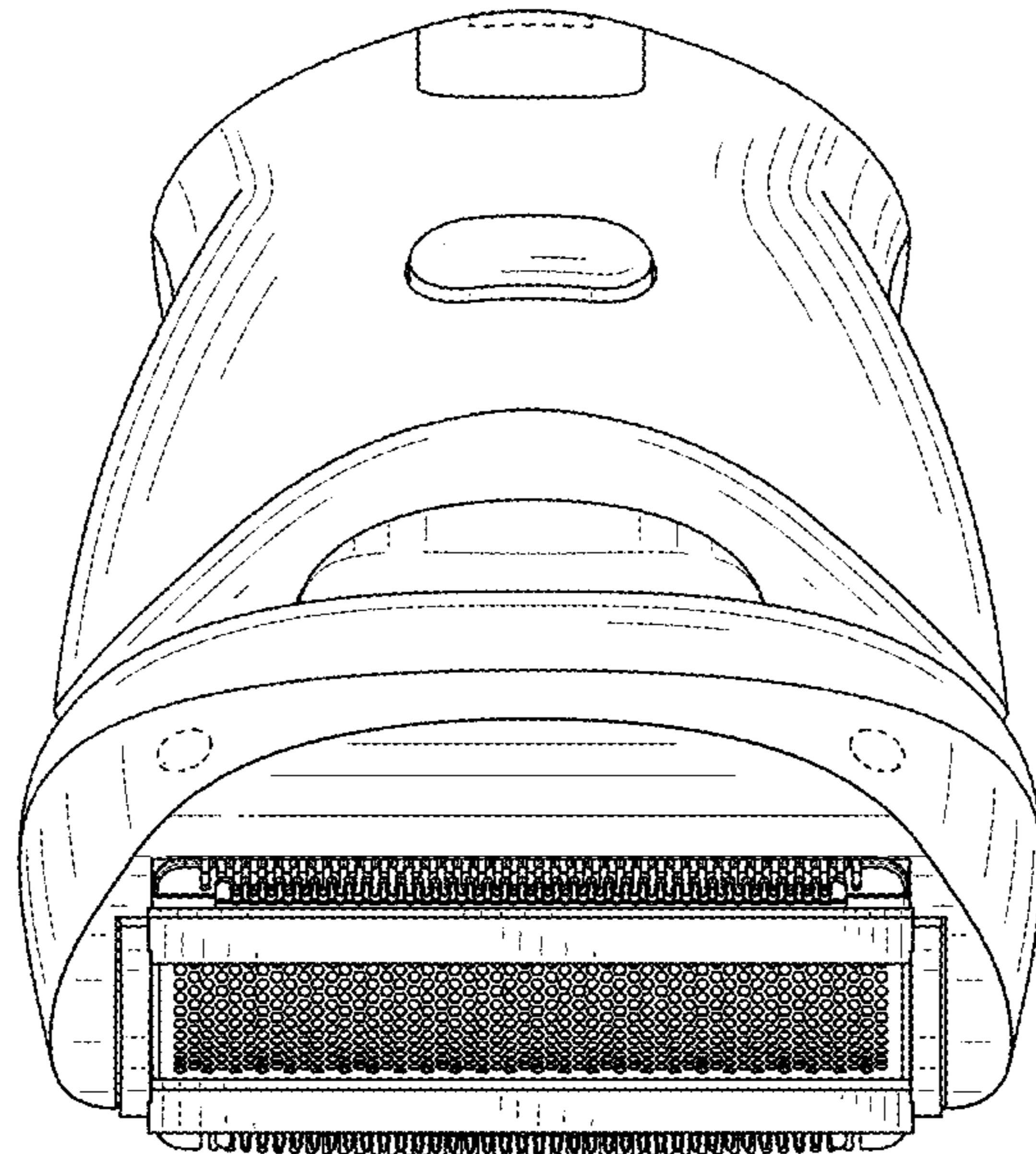


FIG. 7

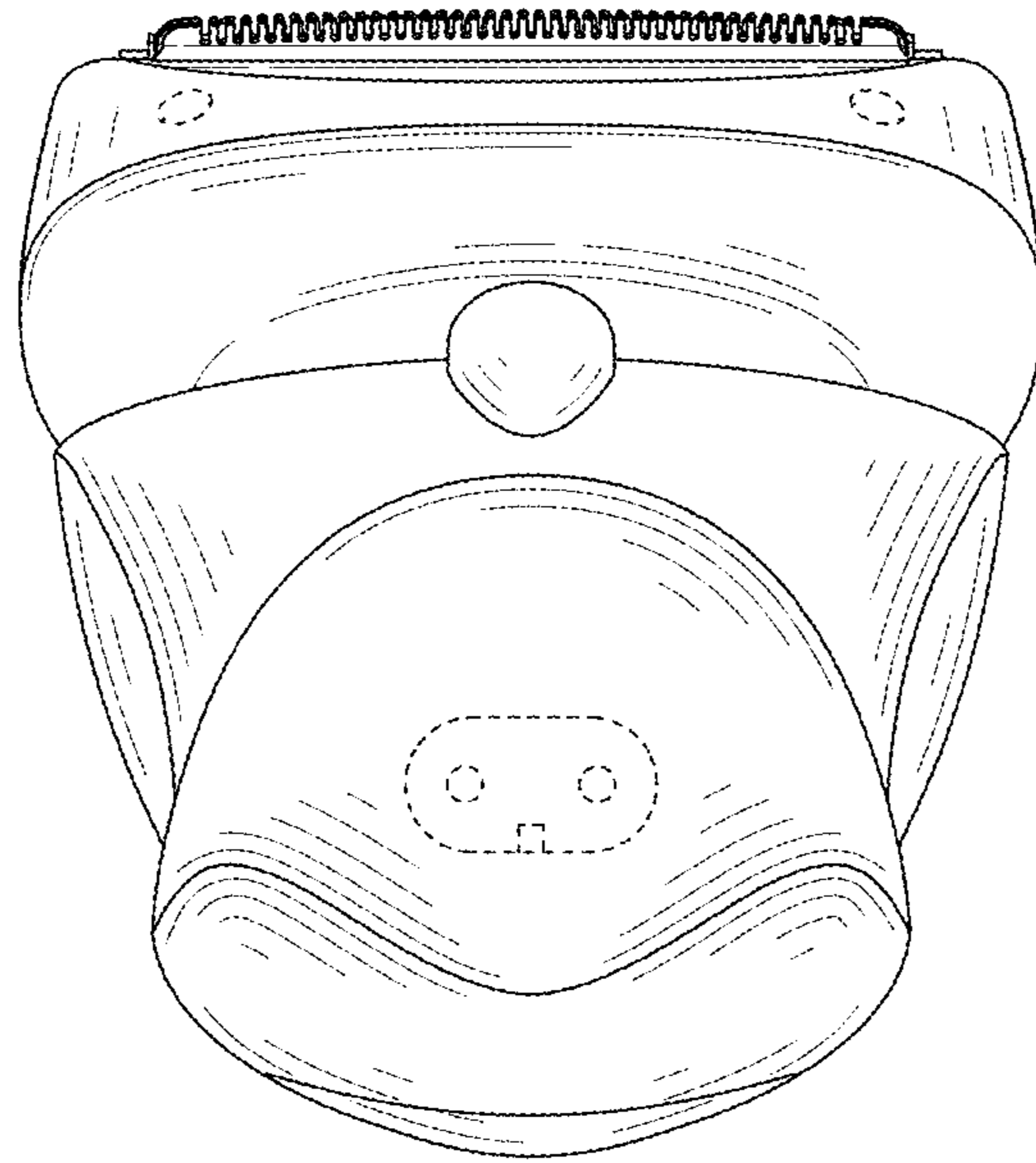


FIG. 8

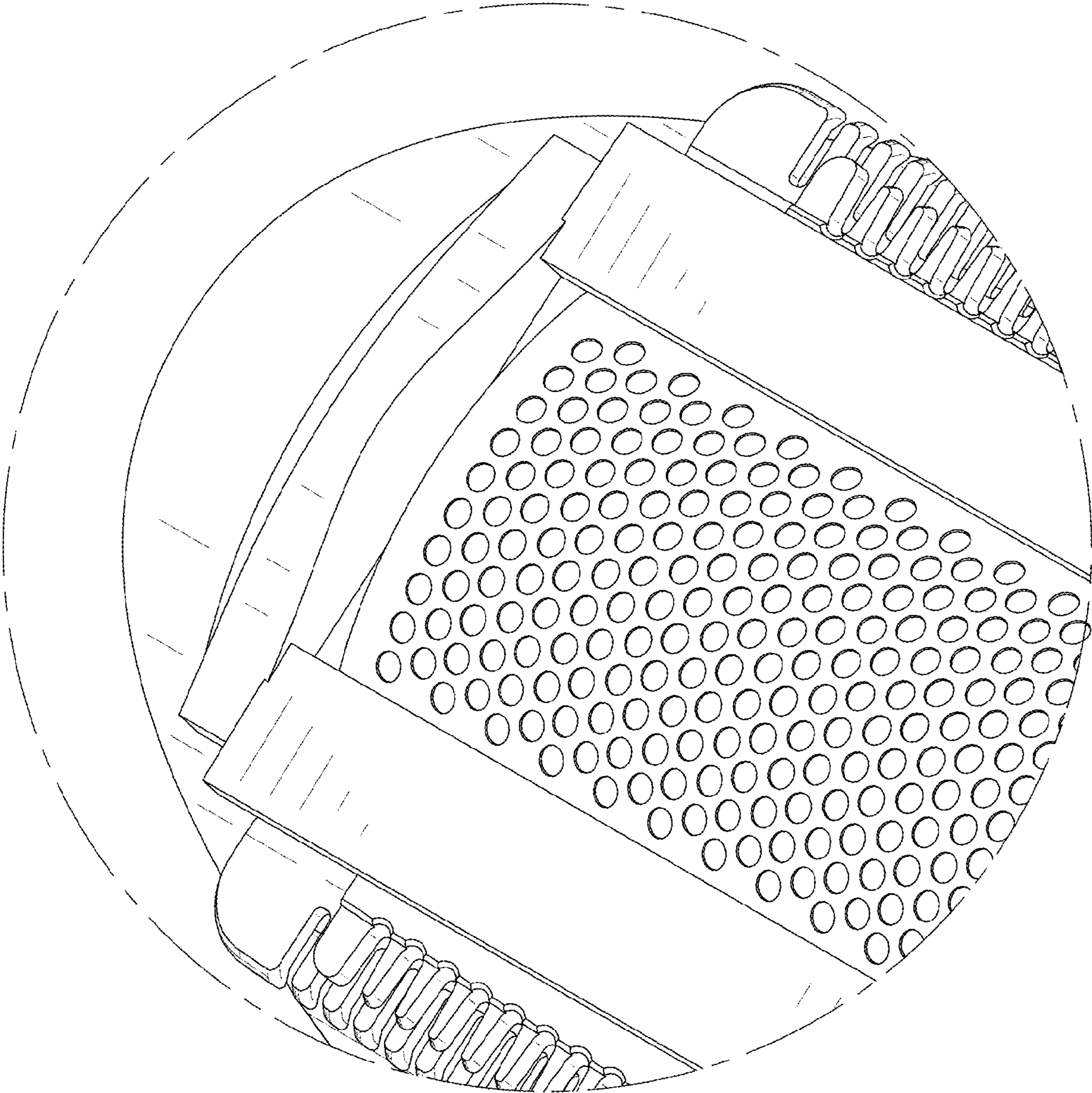


FIG. 9

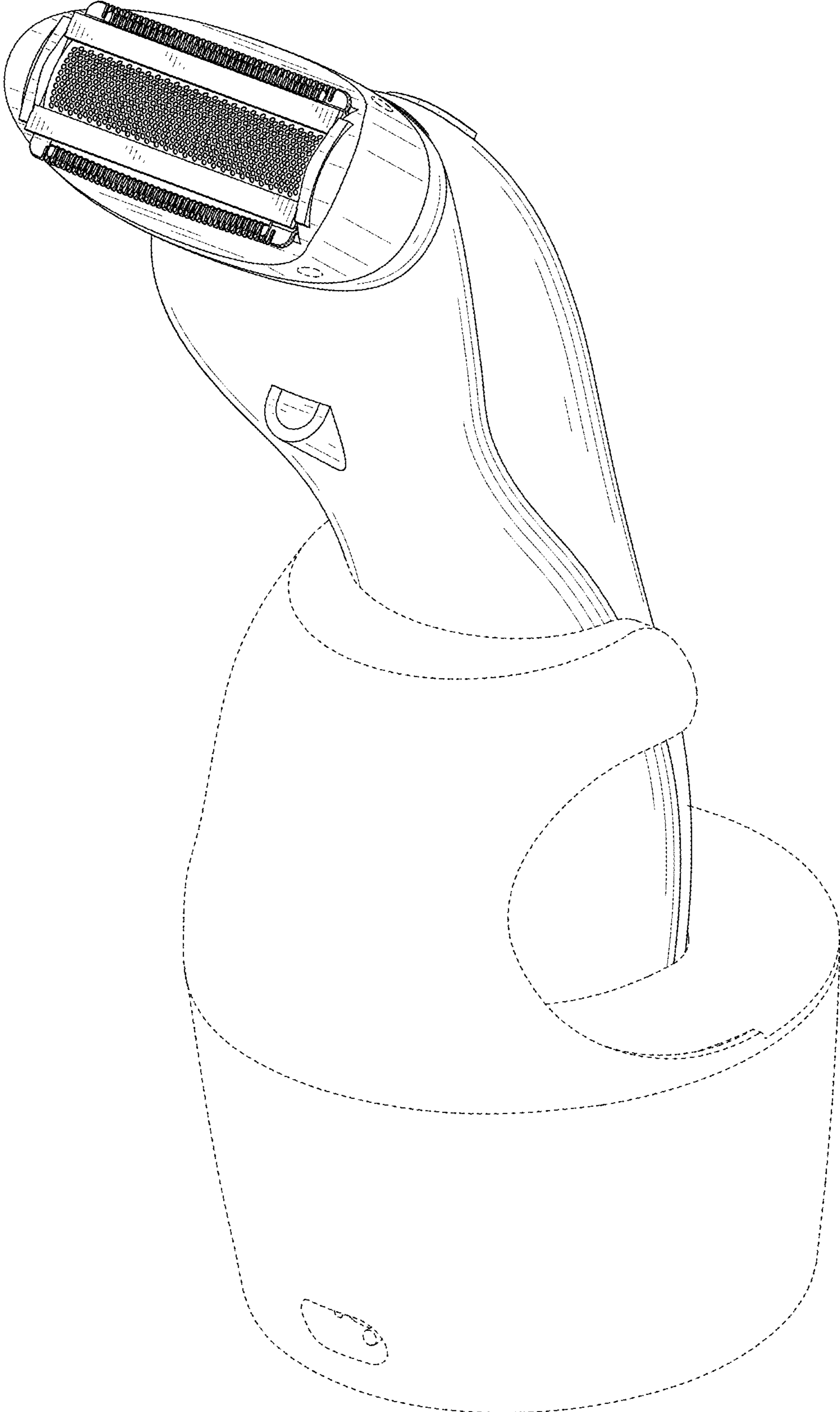


FIG. 10



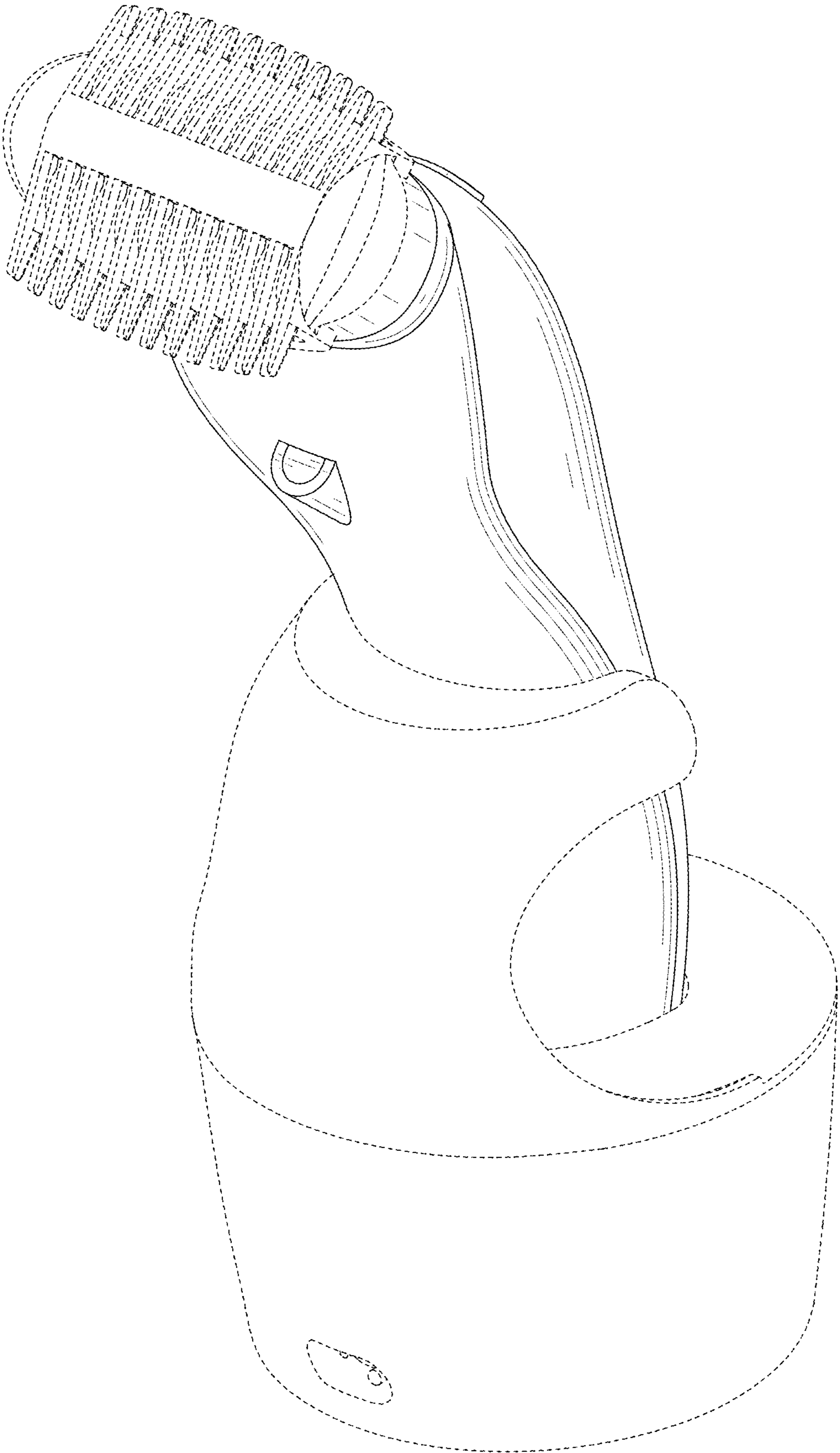


FIG. 11