



US00D965888S

(12) **United States Design Patent** (10) **Patent No.:** **US D965,888 S**
Ramm et al. (45) **Date of Patent:** **** Oct. 4, 2022**

- (54) **SHAVING RAZOR CARTRIDGE**
- (71) Applicant: **The Gillette Company LLC**, Boston, MA (US)
- (72) Inventors: **Christopher Ramm**, North Attleboro, MA (US); **Philipp Goeder**, Frankfurt (DE)
- (73) Assignee: **The Gillette Company LLC**, Boston, MA (US)
- (**) Term: **15 Years**
- (21) Appl. No.: **29/770,324**
- (22) Filed: **Feb. 11, 2021**

- D524,986 S 7/2006 Prudden, Jr.
 - D563,043 S 2/2008 Ramm
 - D563,044 S 2/2008 Ramm
 - 7,370,419 B2 5/2008 Coffin et al.
 - D631,198 S 1/2011 Adams et al.
 - D638,580 S 5/2011 Adams et al.
 - D640,415 S 6/2011 Wonderley et al.
 - D653,395 S 1/2012 Adams et al.
 - D662,661 S 6/2012 Corbeil et al.
 - D772,484 S 11/2016 Otsuka
 - D776,875 S 1/2017 Ren et al.
 - D829,380 S 9/2018 Kong
 - D843,059 S * 3/2019 Lettenberger D28/47
 - 10,414,057 B2 * 9/2019 Ntavos B26B 21/443
 - D908,285 S * 1/2021 Cataudella D28/47
- (Continued)

Related U.S. Application Data

- (62) Division of application No. 29/650,047, filed on Jun. 4, 2018, now Pat. No. Des. 913,591.
- (51) **LOC (13) Cl.** **28-03**
- (52) **U.S. Cl.**
USPC **D28/47**
- (58) **Field of Classification Search**
USPC D28/10, 44-47, 51-54
CPC B26B 19/00; B26B 19/02; B26B 19/04;
B26B 19/06; B26B 19/10; B26B 19/20;
B26B 19/22; B26B 19/38; B26B 19/3806;
B26B 21/00; B26B 21/08; B26B 21/22;
B26B 21/40; B26B 21/4012; B26B
21/4018
See application file for complete search history.

References Cited

U.S. PATENT DOCUMENTS

- D403,811 S 1/1999 Brown
- D415,315 S 10/1999 Swanson et al.
- 6,161,287 A 12/2000 Swanson et al.
- 6,349,471 B1 2/2002 Gruslin et al.

OTHER PUBLICATIONS

All Office Actions, U.S. Appl. No. 29/650,047.

Primary Examiner — Alison M Ofstun

(74) *Attorney, Agent, or Firm* — John M. Lipchitz

(57) **CLAIM**

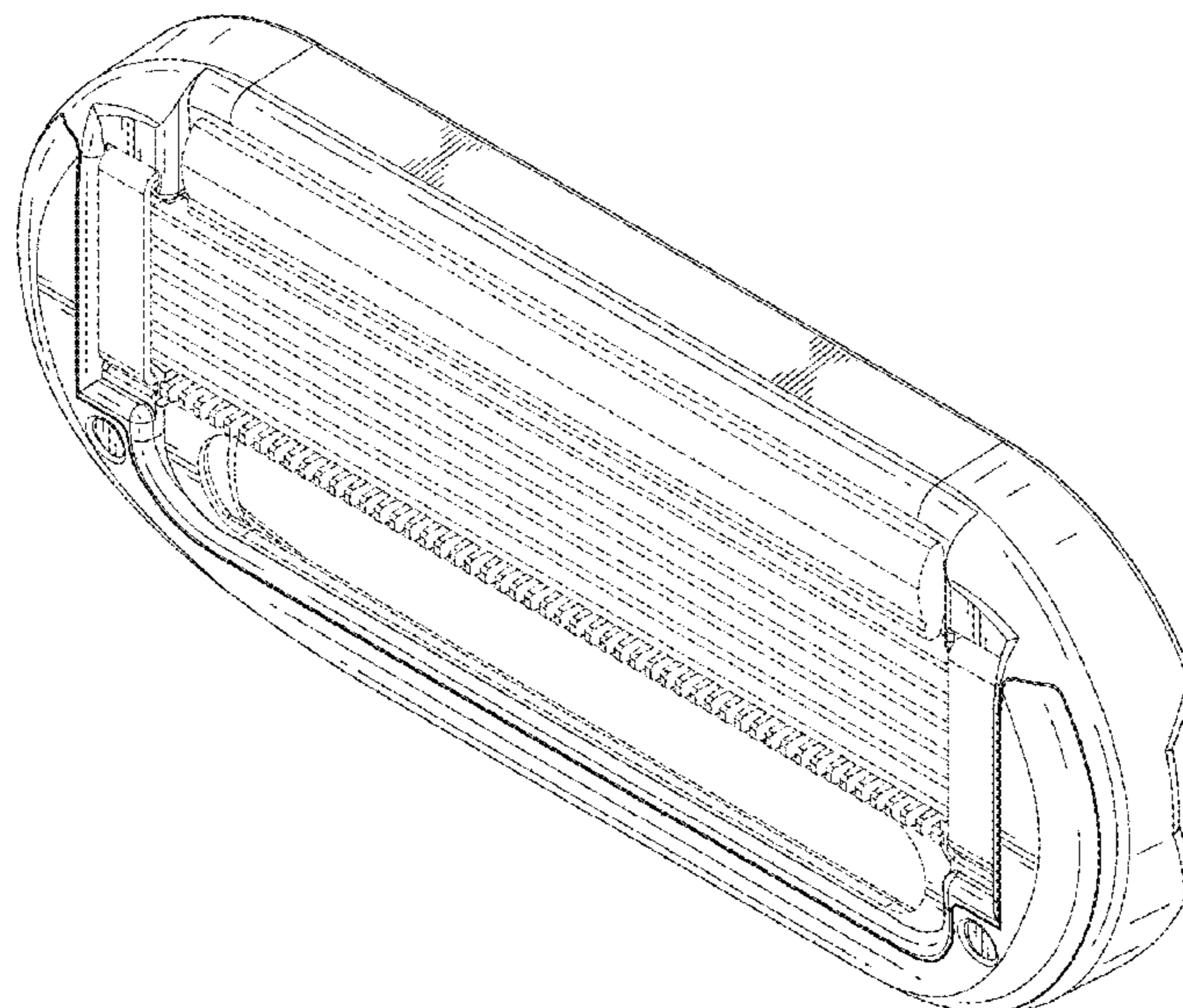
The ornamental design for a shaving razor cartridge, as shown and described.

DESCRIPTION

FIG. 1 is a front perspective view of a design of a shaving razor cartridge of the present invention;
 FIG. 2 is a front view thereof;
 FIG. 3 is a rear view thereof;
 FIG. 4 is a right side view thereof;
 FIG. 5 is a left side view thereof;
 FIG. 6 is a top view thereof;
 FIG. 7 is a bottom view thereof;
 FIG. 8 is a second front perspective view thereof; and,
 FIG. 9 is a rear perspective view thereof.

The dash broken lines are directed to portions of the shaving razor cartridge and form no part of the claimed design.

1 Claim, 7 Drawing Sheets



(56)

References Cited

U.S. PATENT DOCUMENTS

D913,591	S	3/2021	Ramm et al.	
10,960,558	B2 *	3/2021	Griffin	B26B 21/222
D921,984	S *	6/2021	Brissett	D28/47
11,224,983	B2 *	1/2022	Bozikis	B26B 21/4031
2005/0011073	A1	1/2005	Sandor et al.	
2006/0080837	A1	4/2006	Johnson et al.	
2014/0259675	A1	9/2014	Tucker et al.	
2016/0158948	A1	6/2016	Eagleton et al.	
2017/0203451	A1 *	7/2017	Griffin	B26B 21/222
2018/0361604	A1 *	12/2018	Bozikis	B26B 21/227
2019/0099905	A1	4/2019	Park et al.	
2019/0202076	A1	7/2019	Park et al.	
2020/0361105	A1 *	11/2020	Park	B26B 21/14

* cited by examiner

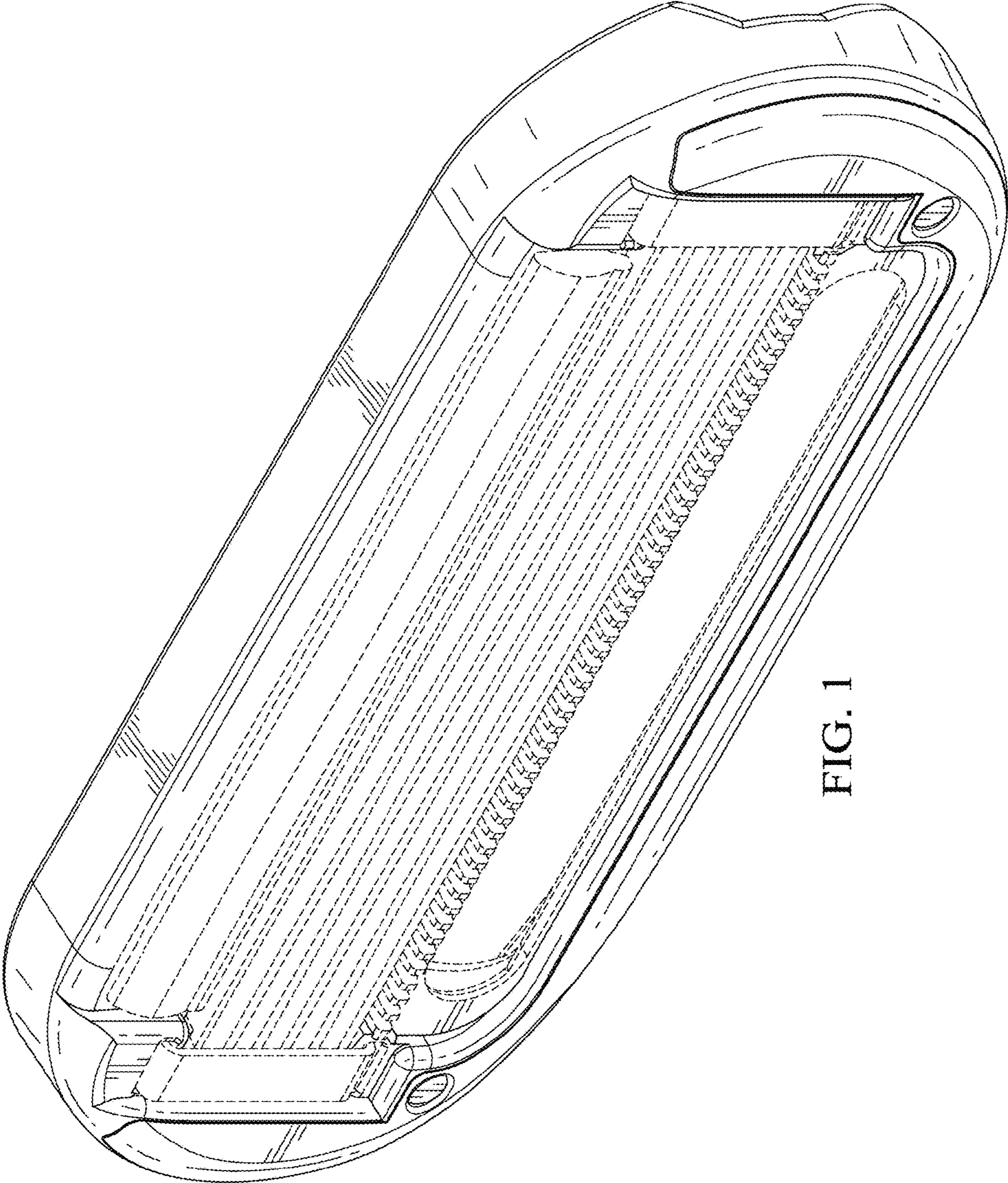


FIG. 1

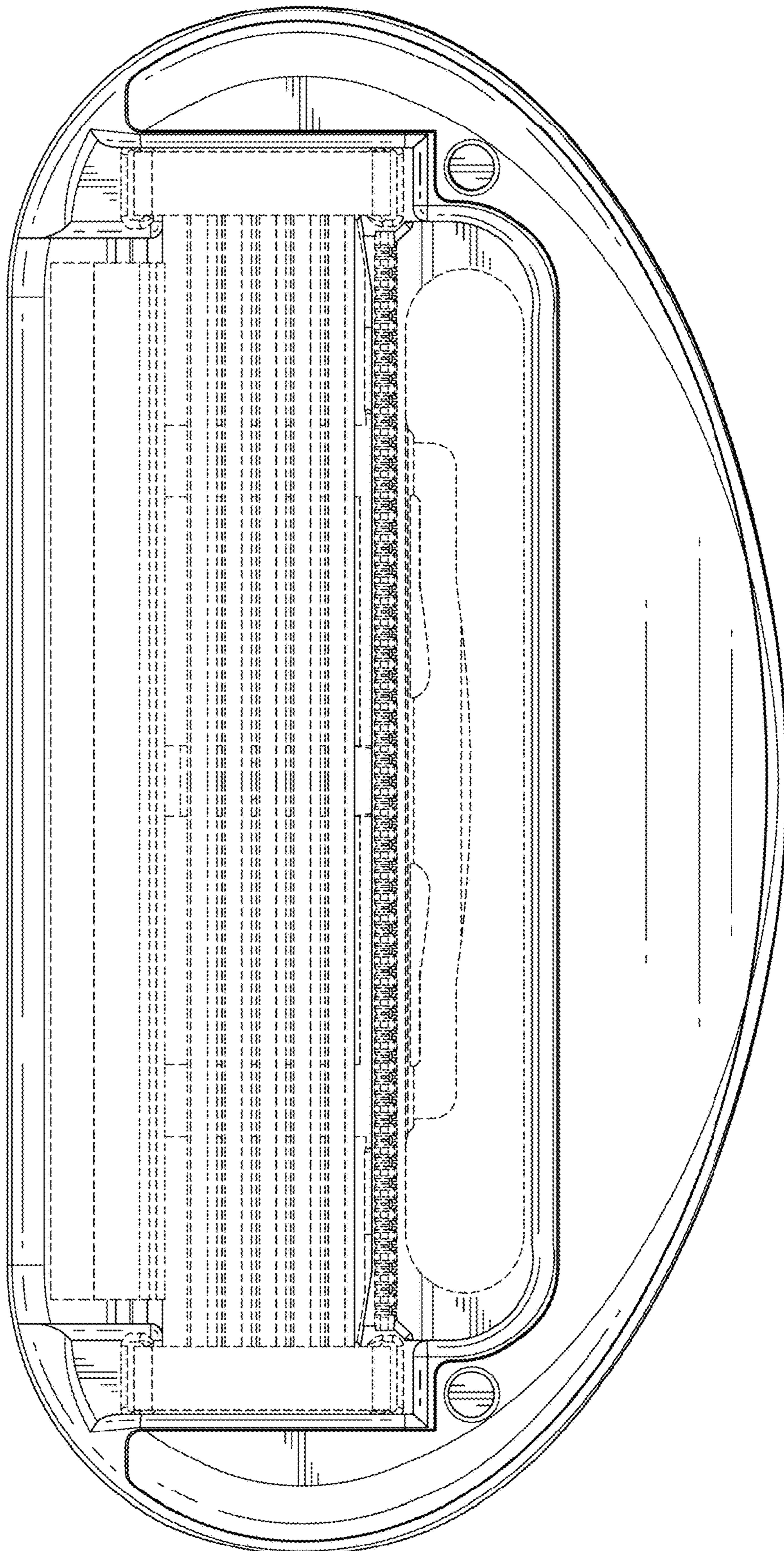


FIG. 2

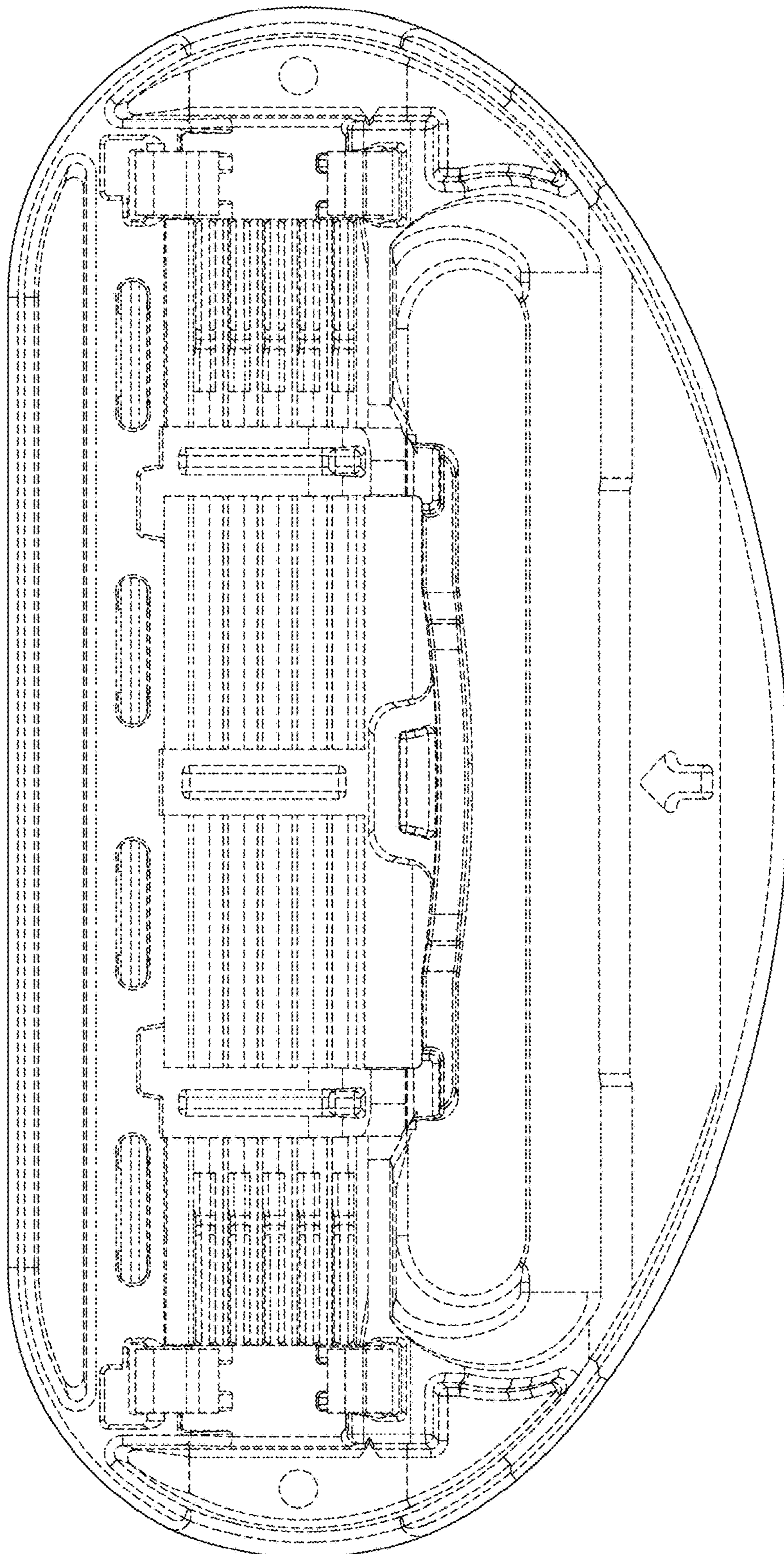


FIG. 3

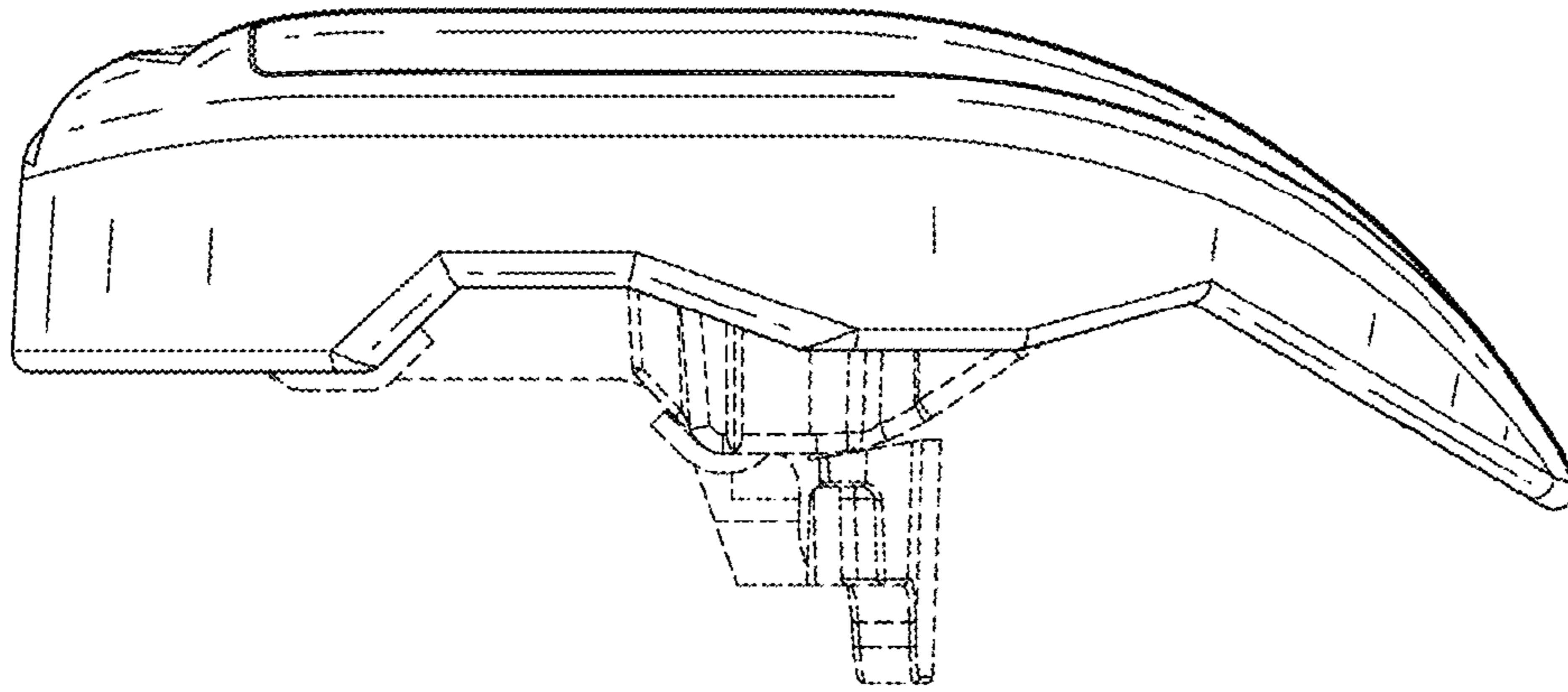


FIG. 5

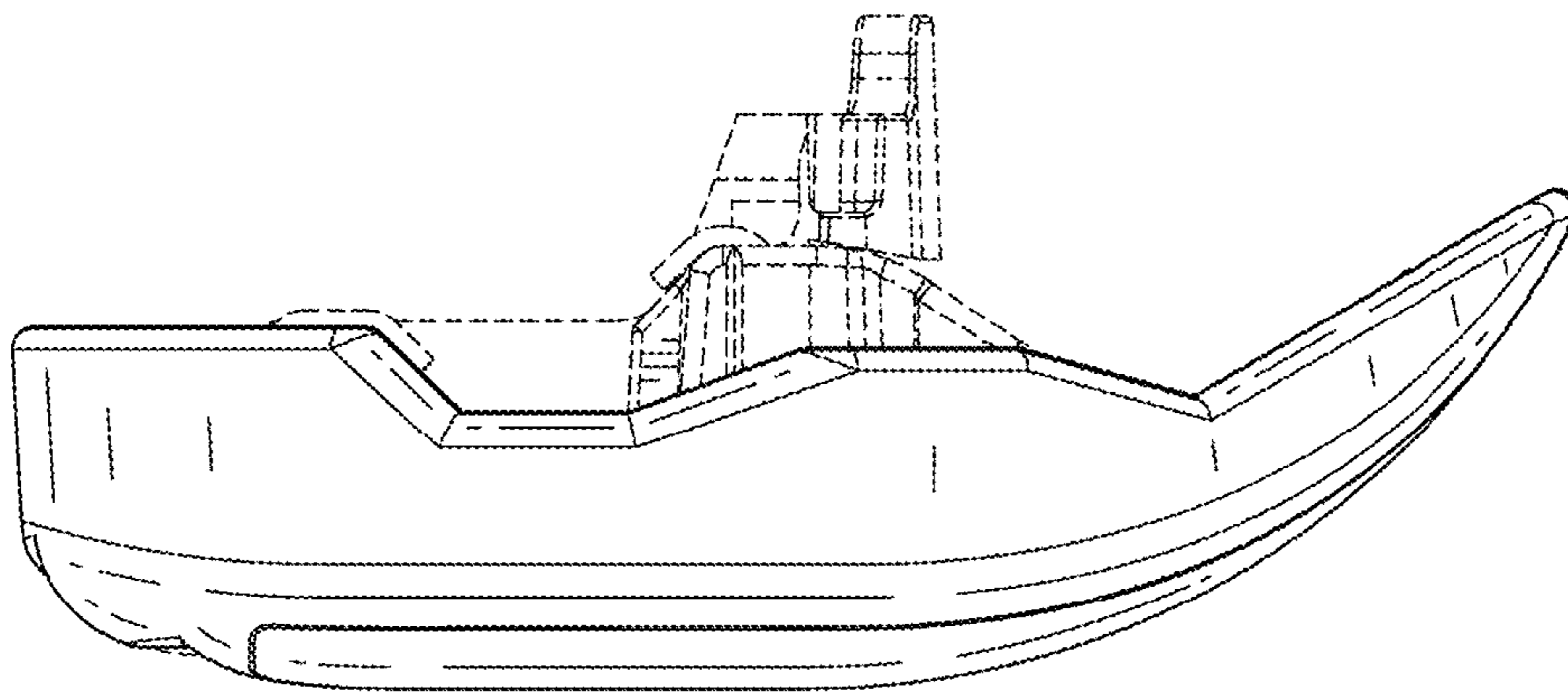


FIG. 4

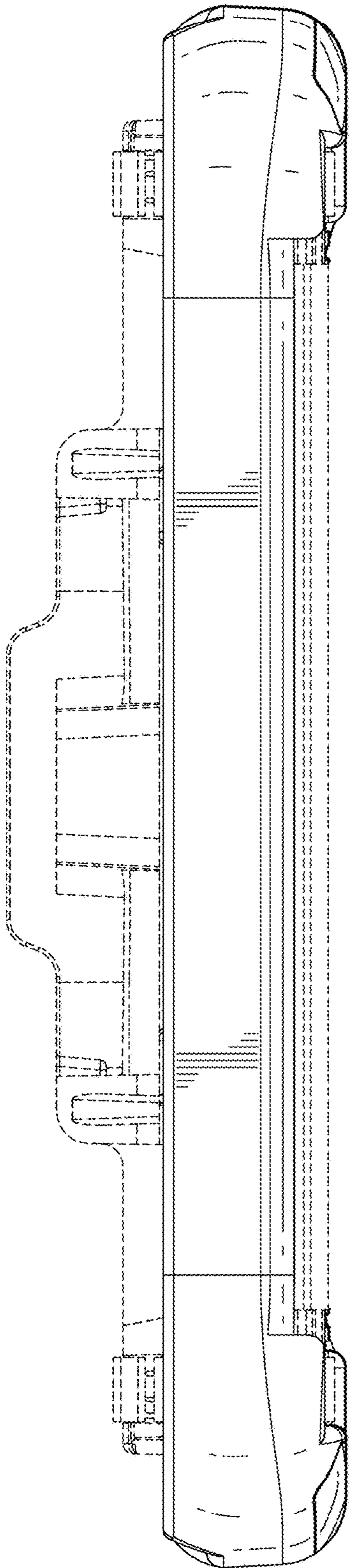


FIG. 6

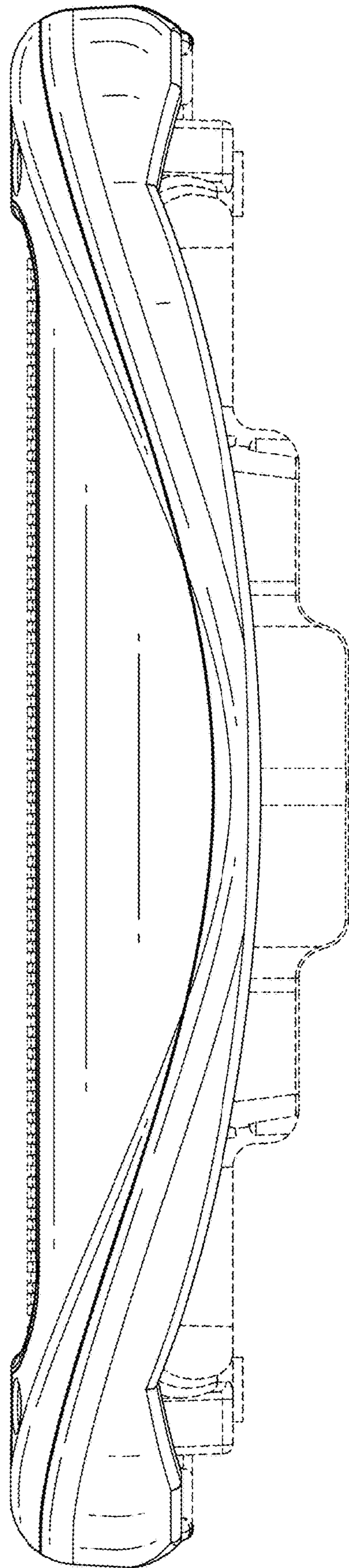


FIG. 7

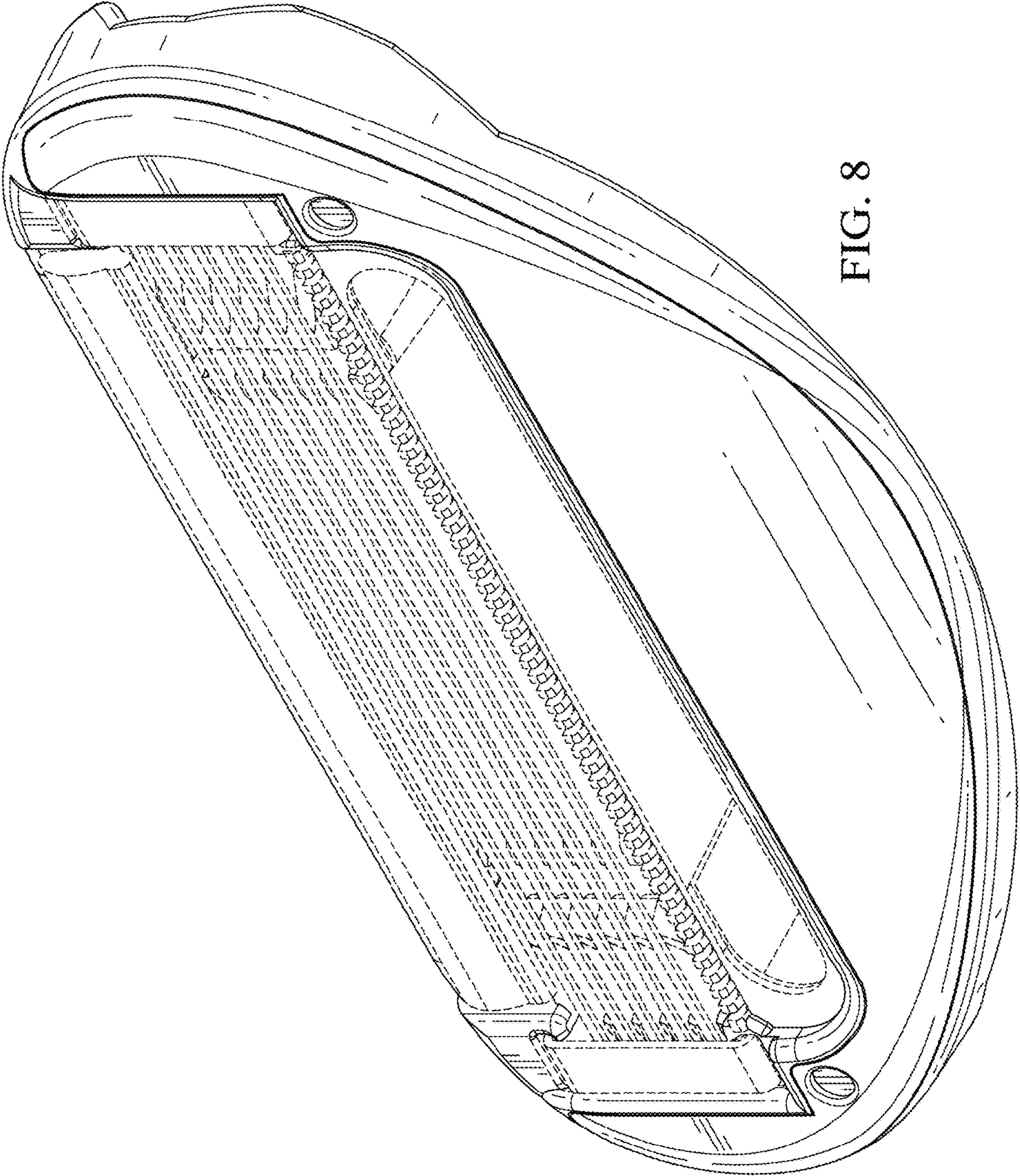


FIG. 8

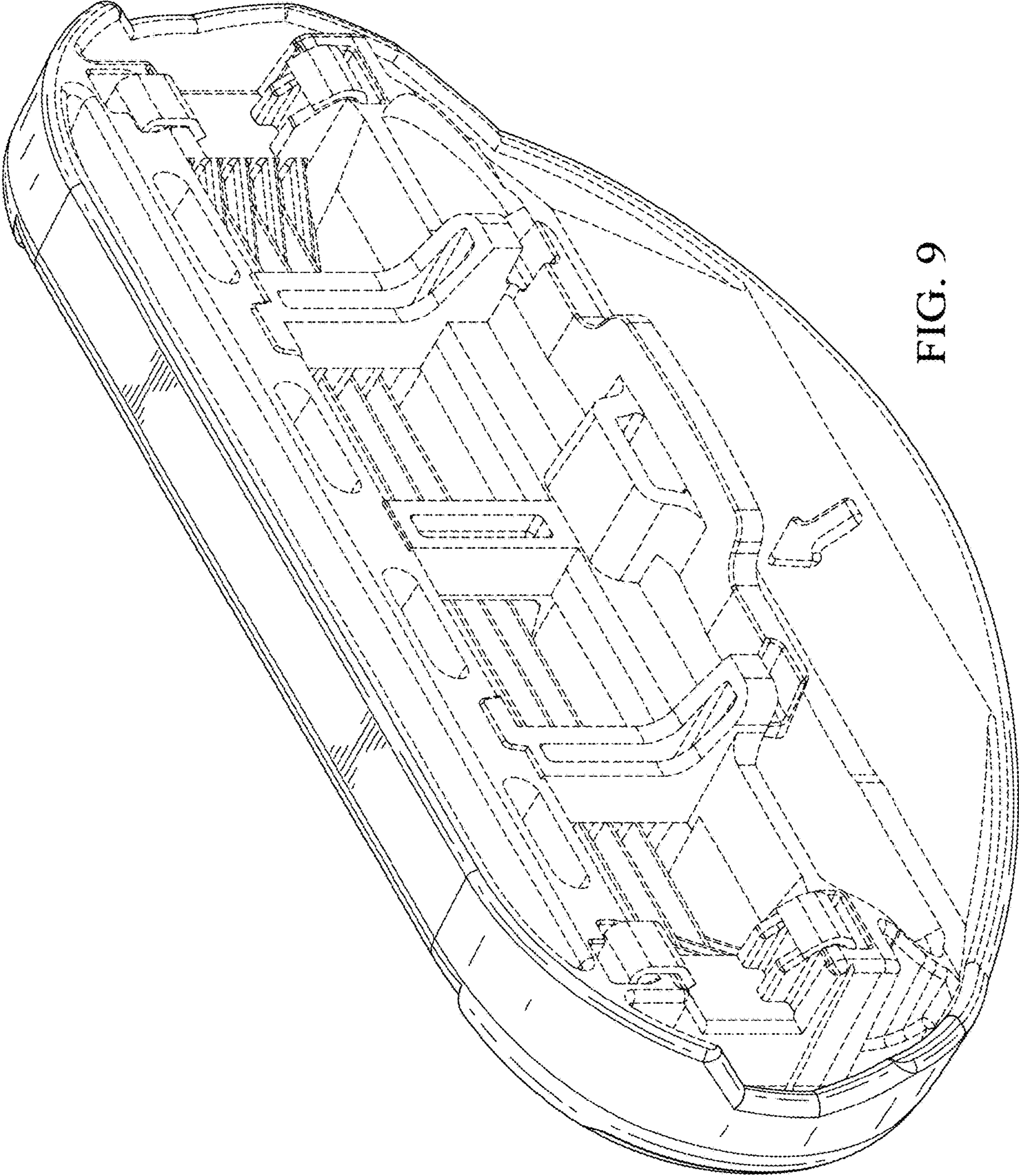


FIG. 9