



US00D965885S

(12) **United States Design Patent** (10) **Patent No.:** **US D965,885 S**
Liu (45) **Date of Patent:** **** Oct. 4, 2022**

(54) **WAX HEATER**
(71) Applicant: **Guangzhou Fourto Sanitary Products Co., LTD, Guangdong (CN)**
(72) Inventor: **Ziyi Liu, Guangdong (CN)**
(73) Assignee: **Guangzhou Fourto Sanitary Products Co., LTD, Guangzhou (CN)**
(**) Term: **15 Years**
(21) Appl. No.: **29/768,194**
(22) Filed: **Jan. 28, 2021**
(51) **LOC (13) Cl.** **28-03**
(52) **U.S. Cl.**
USPC **D28/44.1; D24/200**
(58) **Field of Classification Search**
USPC D28/7, 44, 44.1, 56-58; D24/200, 206, D24/214
CPC A45D 29/00; A45D 29/18; A45D 29/20; A45D 2200/155; A45D 26/0014; A45D 2026/008
See application file for complete search history.

D899,688 S * 10/2020 Li D24/209
D908,233 S * 1/2021 Zhou D24/214
D919,106 S * 5/2021 Zhu D24/206
D924,485 S * 7/2021 Costacurta D24/209
D931,480 S * 9/2021 Pi D24/206

OTHER PUBLICATIONS

Cartridge Wax Heater, Waxkiss.com, no date available, retrieved on Jun. 1, 2022, retrieved from the Internet URL: <http://www.waxkiss.com/cartridge-wax-heater/cwh-008-hair-removal-cartridge-wax-heater.html>.*

* cited by examiner

Primary Examiner — Alison M Ofstun

(57) **CLAIM**

The ornamental design for a wax heater, as shown and described.

DESCRIPTION

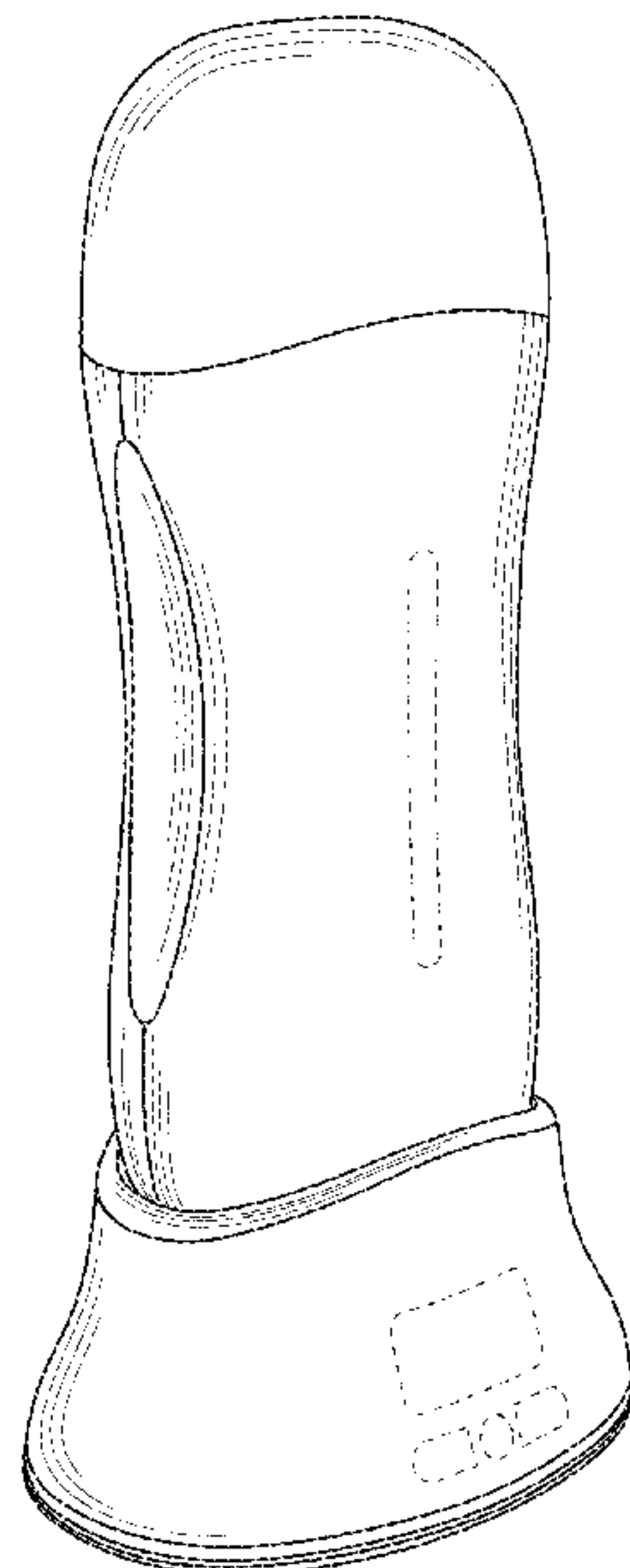
FIG. 1 is a top, front and left side perspective view of a wax heater showing my new design;
FIG. 2 is an exploded top, front and left side perspective view thereof;
FIG. 3 is an exploded rear and bottom perspective view thereof;
FIG. 4 is front elevational view thereof;
FIG. 5 is a rear elevational view thereof;
FIG. 6 is a right side view thereof;
FIG. 7 is a left side view thereof;
FIG. 8 is a top plan view thereof; and,
FIG. 9 is a bottom plan view.
The broken lines in the drawings illustrate portions of the wax heater which form no part of the claimed design.

1 Claim, 9 Drawing Sheets

(56) **References Cited**

U.S. PATENT DOCUMENTS

D269,641 S * 7/1983 Mann D28/51
D281,822 S * 12/1985 Feldblum D28/51
D289,565 S * 4/1987 Mann D28/10
D290,527 S * 6/1987 Thorogood D28/10
D664,665 S * 7/2012 Wahng D24/214
D695,399 S * 12/2013 Sadot D28/7
D771,313 S * 11/2016 Oguchi D28/44
D782,685 S * 3/2017 Pippel D24/186
D824,529 S * 7/2018 Tenenbaum D24/214
D858,785 S * 9/2019 Barber D24/206
D872,362 S * 1/2020 Long D24/209
D878,617 S * 3/2020 Zhu D24/206
D889,402 S * 7/2020 Lim D13/108



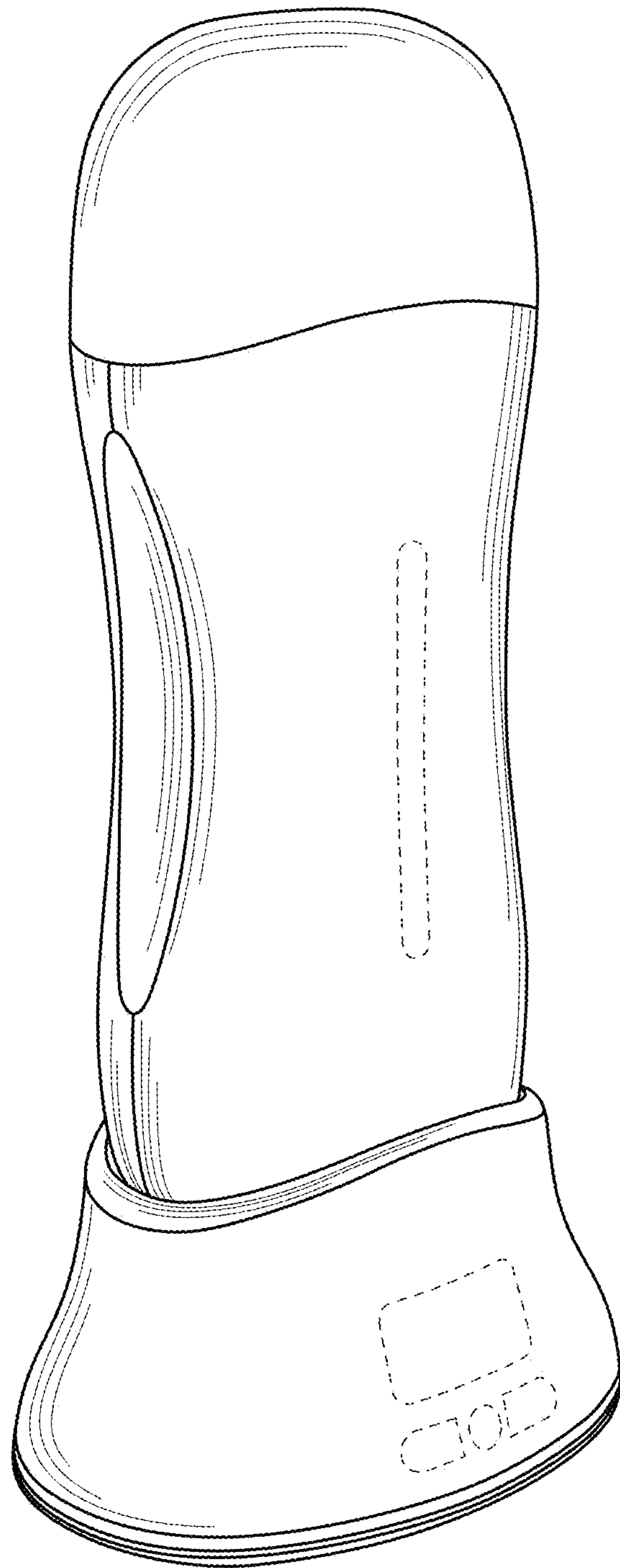


FIG. 1

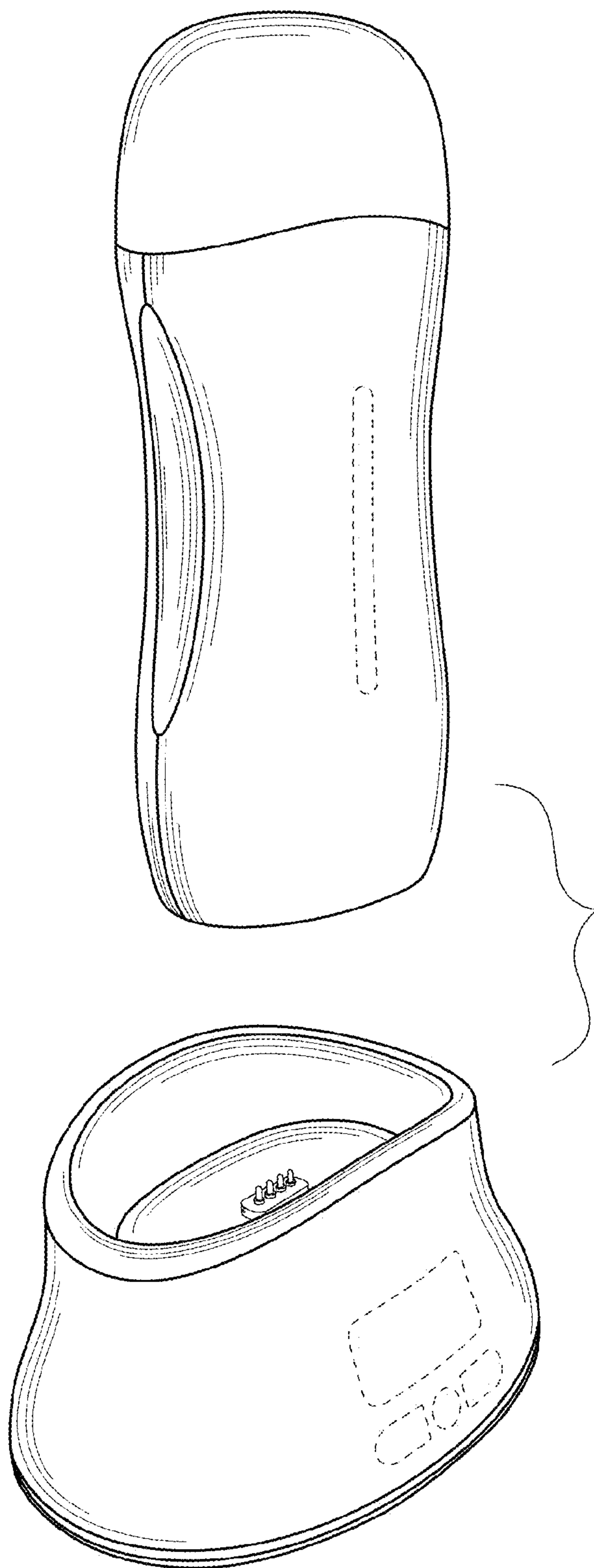


FIG.2

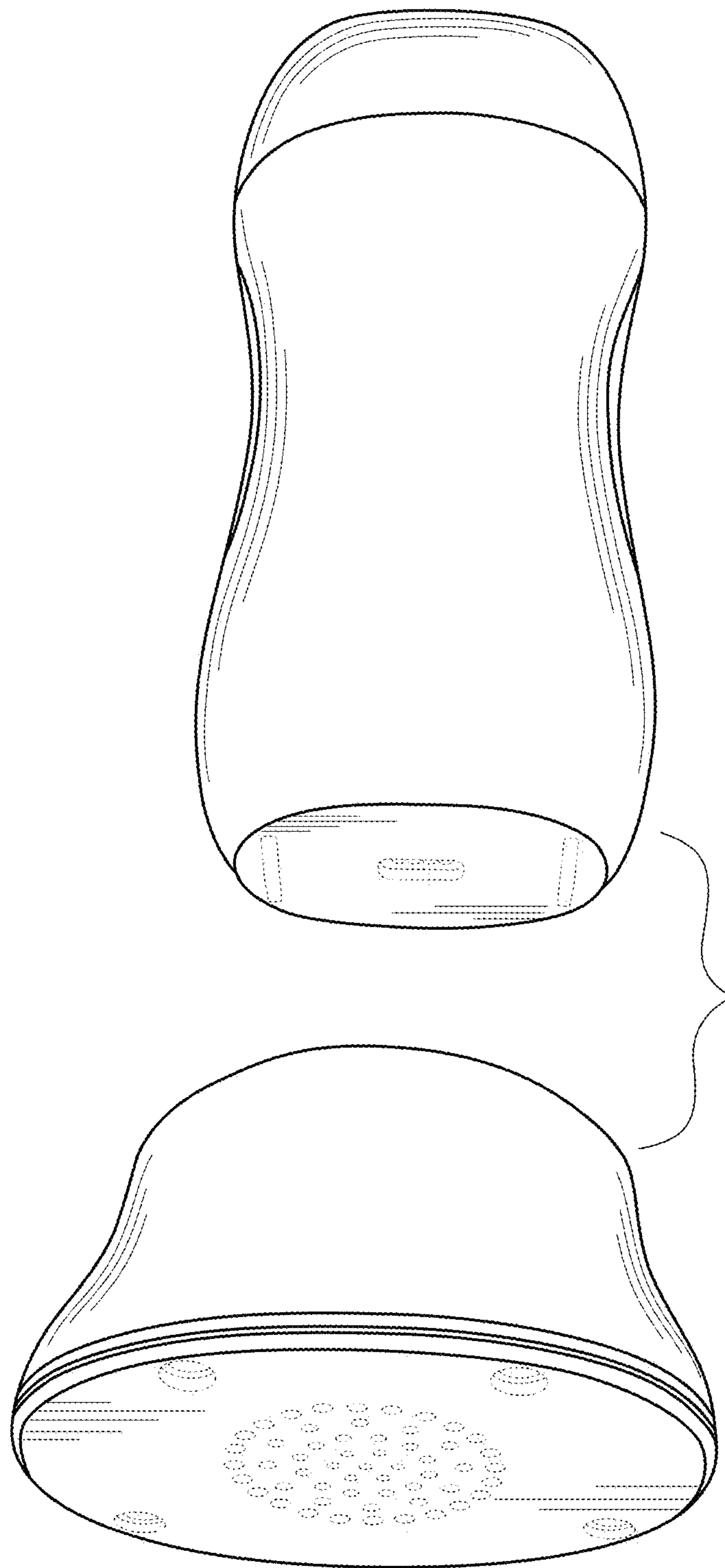


FIG.3

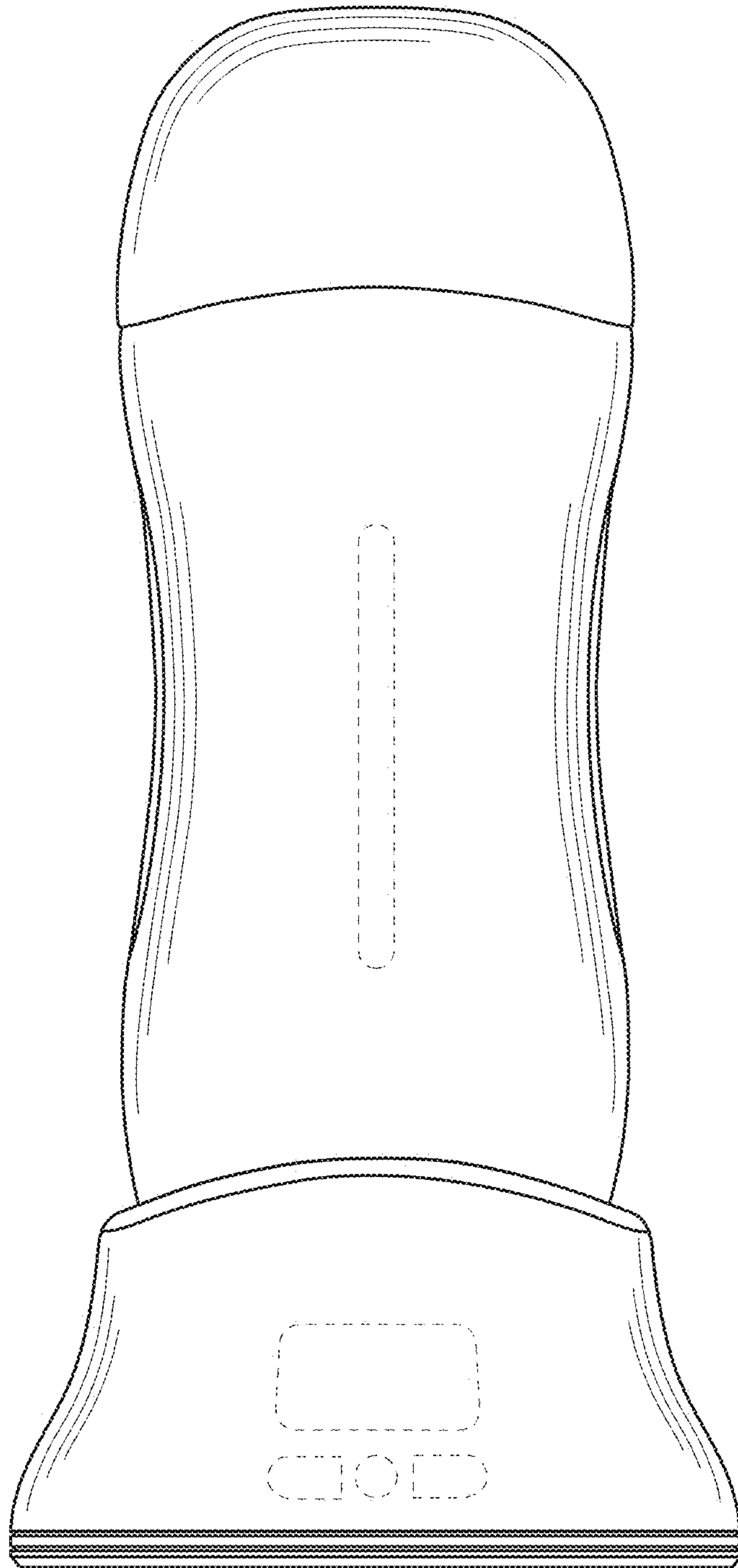


FIG.4

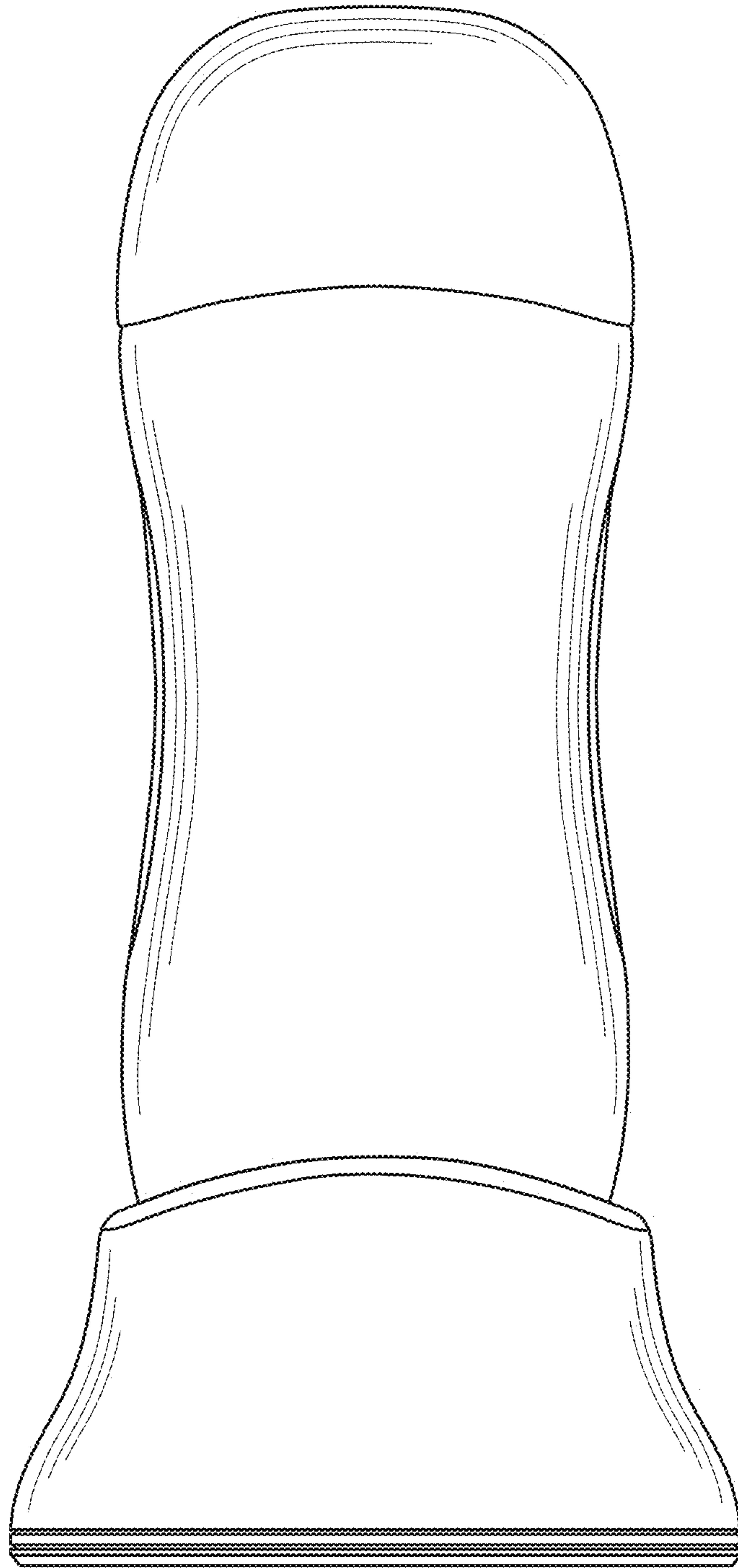


FIG.5

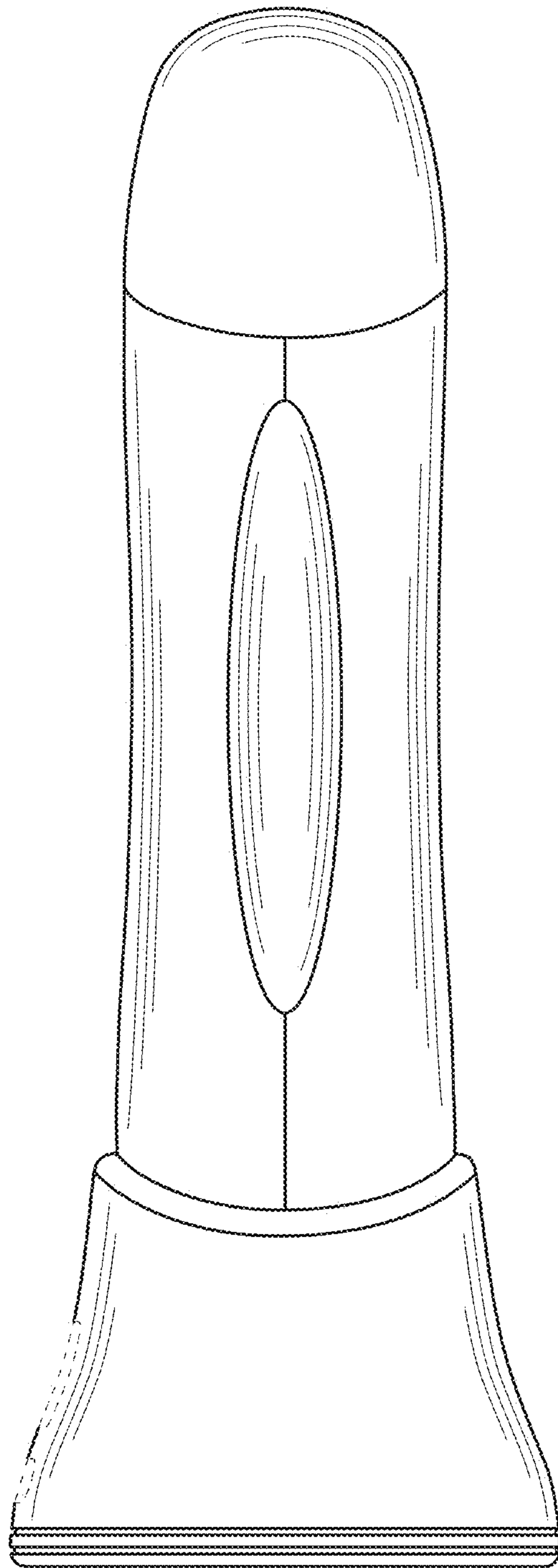


FIG.6

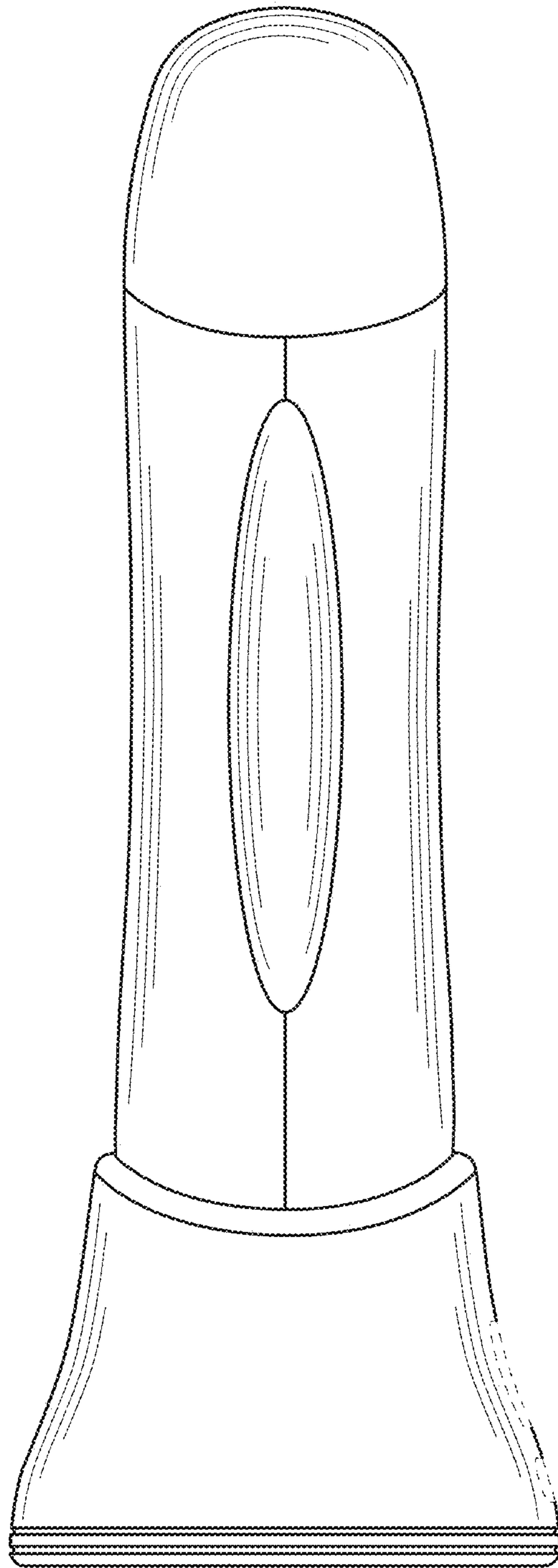


FIG.7

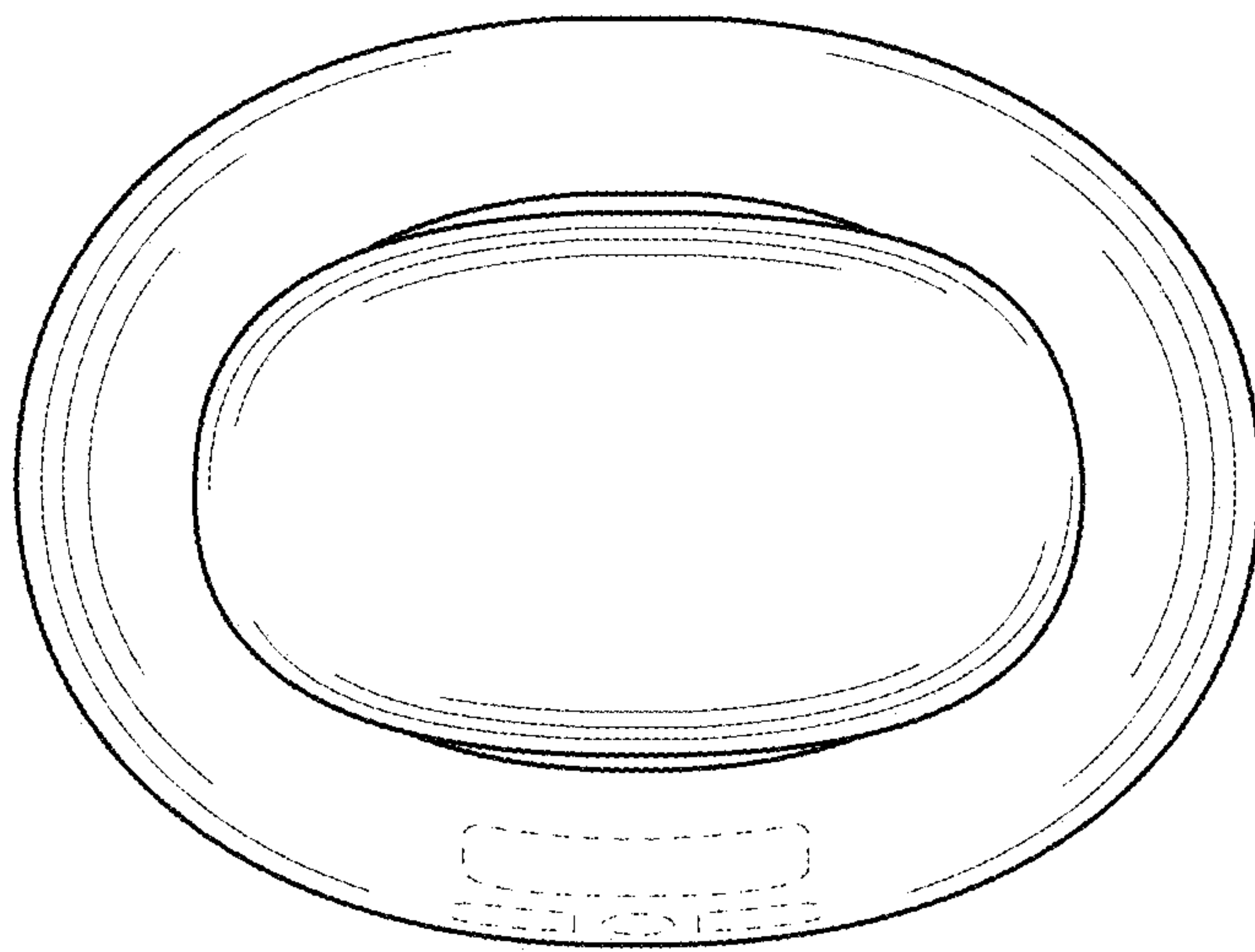


FIG. 8

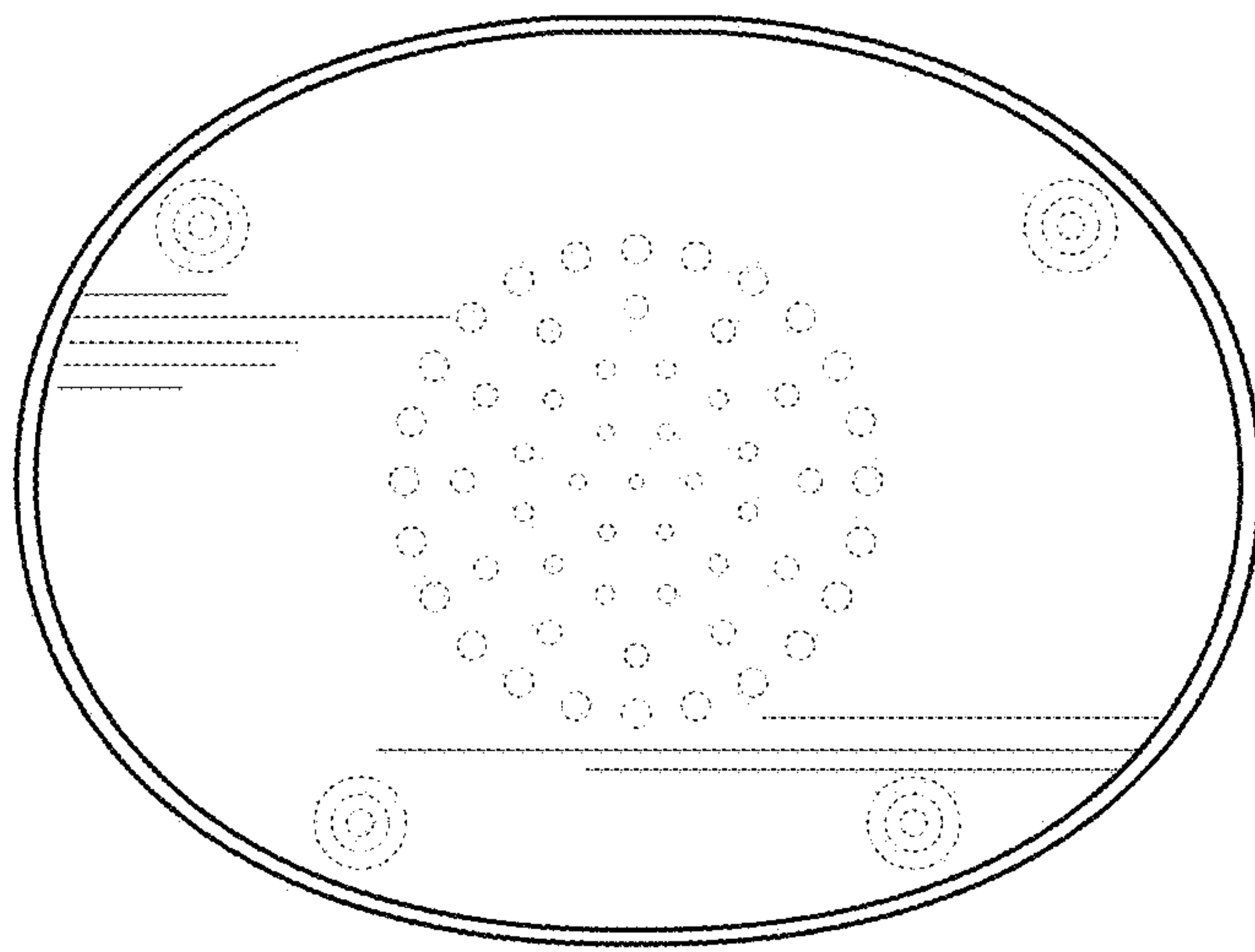


FIG.9