



US00D965879S

(12) **United States Design Patent**
Dey et al.

(10) **Patent No.:** **US D965,879 S**
(45) **Date of Patent:** **** Oct. 4, 2022**

(54) **STAMPING DEVICE**
(71) Applicant: **Loxley LLC**, Henderson, CO (US)
(72) Inventors: **Courtney K. Dey**, Commerce City, CO (US); **David N. Seis**, Commerce City, CO (US)

(**) Term: **15 Years**

(21) Appl. No.: **29/652,329**

(22) Filed: **Jul. 21, 2020**

(51) **LOC (13) Cl.** **28-03**

(52) **U.S. Cl.**
USPC **D28/36**

(58) **Field of Classification Search**
USPC D28/7, 9, 36, 58, 92, 99
CPC A41G 5/02; A45D 44/00; A45D 2/48
See application file for complete search history.

(56) **References Cited**

U.S. PATENT DOCUMENTS

1,925,266	A *	9/1933	Manning	A45D 2/48 132/217
5,944,028	A *	8/1999	Gebhard	A45D 2/48 132/216
D431,678	S *	10/2000	Suh	D28/36
D443,110	S *	5/2001	Watanabe	D28/36
D501,580	S *	2/2005	Sugawara	D28/36
D580,098	S *	11/2008	Zhang	D28/36
D581,096	S *	11/2008	Zhang	D28/36
D607,147	S *	12/2009	Sugawara	D28/36
D607,148	S *	12/2009	Sugawara	D28/36

2009/0255548	A1 *	10/2009	Lin	A45D 2/48 132/217
2016/0183655	A1 *	6/2016	Dozer	A45D 40/18 132/217
2017/0231368	A1 *	8/2017	Navarro	A45D 2/48 132/218
2021/0076795	A1 *	3/2021	Giancaspro	A45D 2/48

* cited by examiner

Primary Examiner — Alison M Ofstun

(74) *Attorney, Agent, or Firm* — FishreBroyles LLP; Ian R. Walsworth

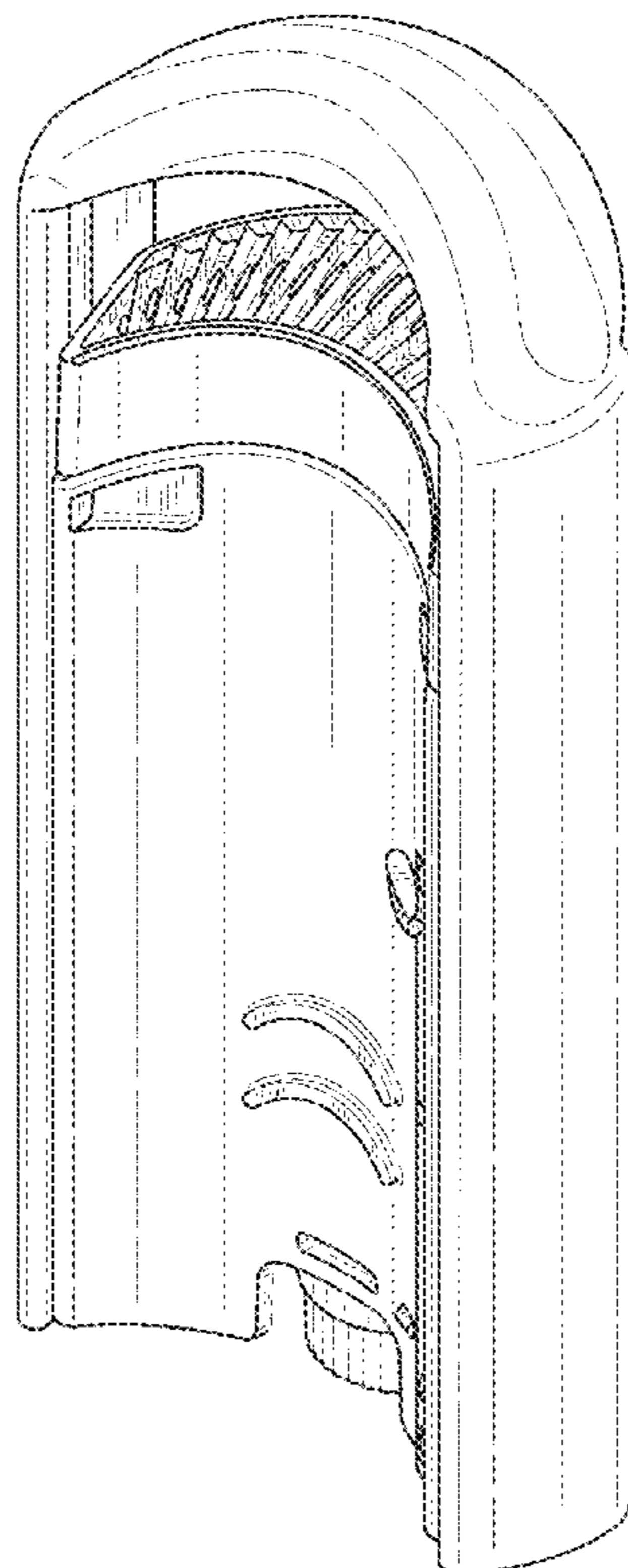
(57) **CLAIM**

The ornamental design for a stamping device, as shown and described.

DESCRIPTION

FIG. 1 is a left front perspective view of the stamping device showing the new design;
FIG. 2 is a right front perspective view thereof;
FIG. 3 is a rear perspective view thereof;
FIG. 4 is a front elevation view thereof;
FIG. 5 is a rear elevation view thereof;
FIG. 6 is a right elevation view thereof;
FIG. 7 is a left elevation view thereof;
FIG. 8 is a top plan view thereof;
FIG. 9 is a bottom plan view thereof; and,
FIG. 10 is a perspective view thereof, shown in an exploded position of use.
In the drawings the broken lines illustrate portions of the article which form no part of the claimed design.

1 Claim, 10 Drawing Sheets



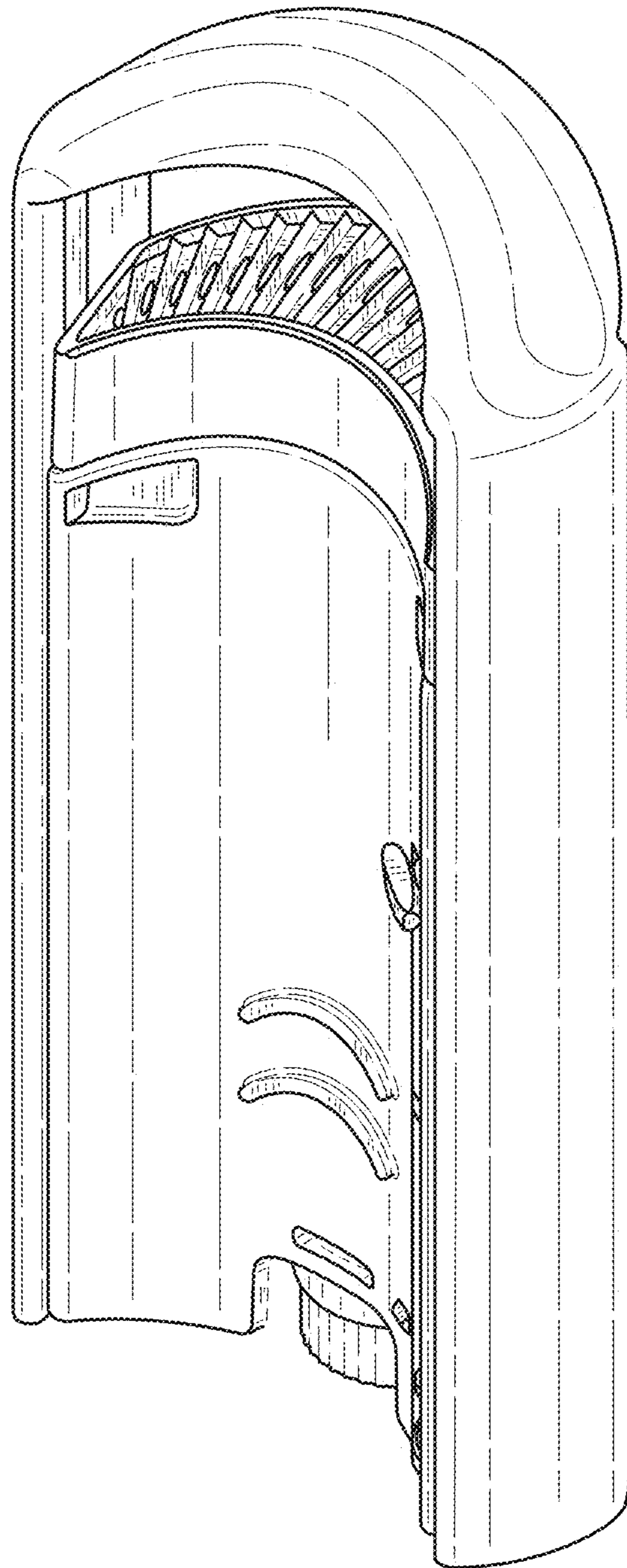


FIG. 1

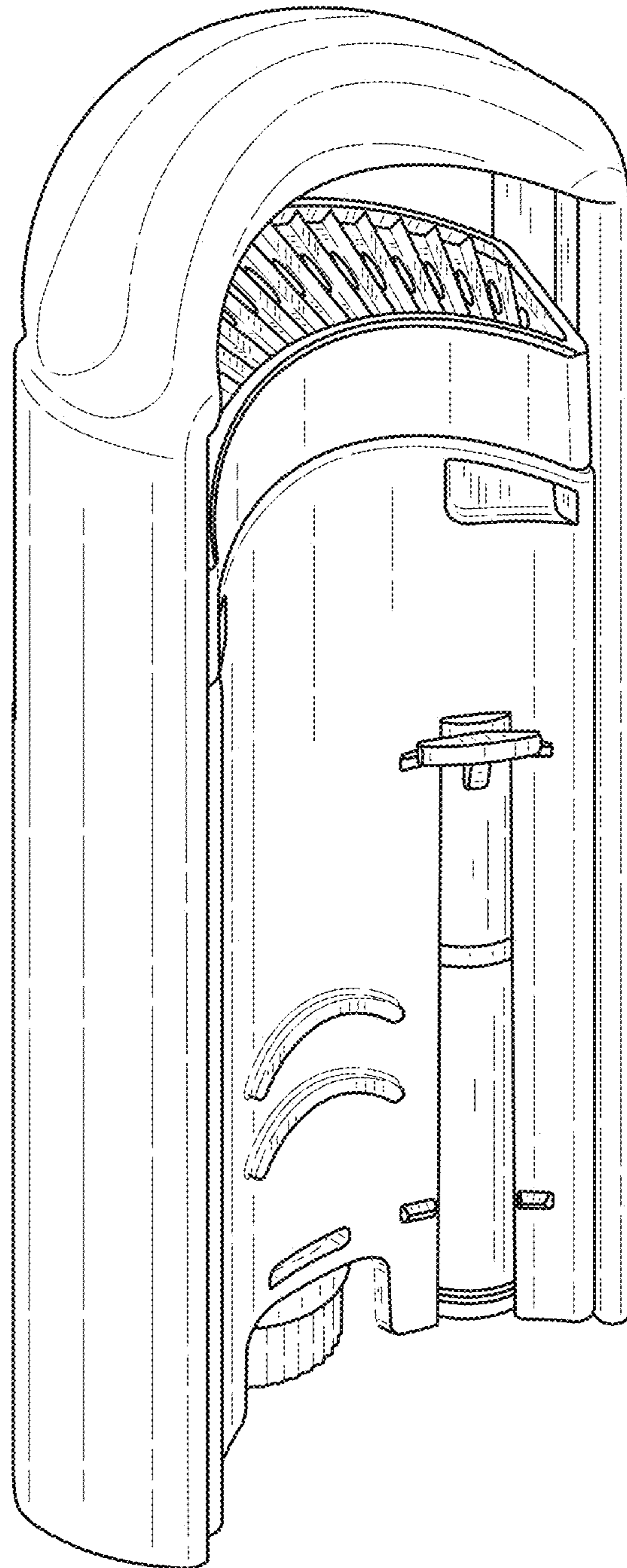


FIG.2

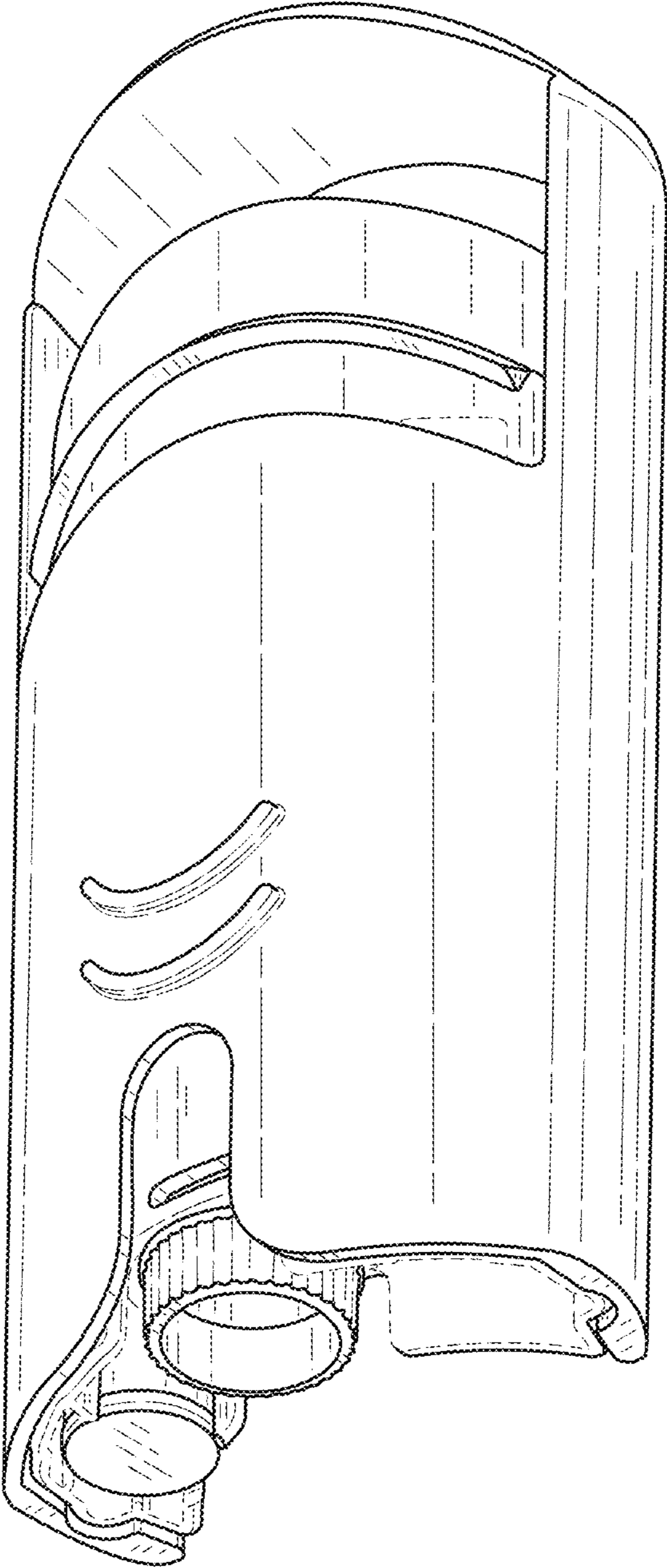


FIG.3

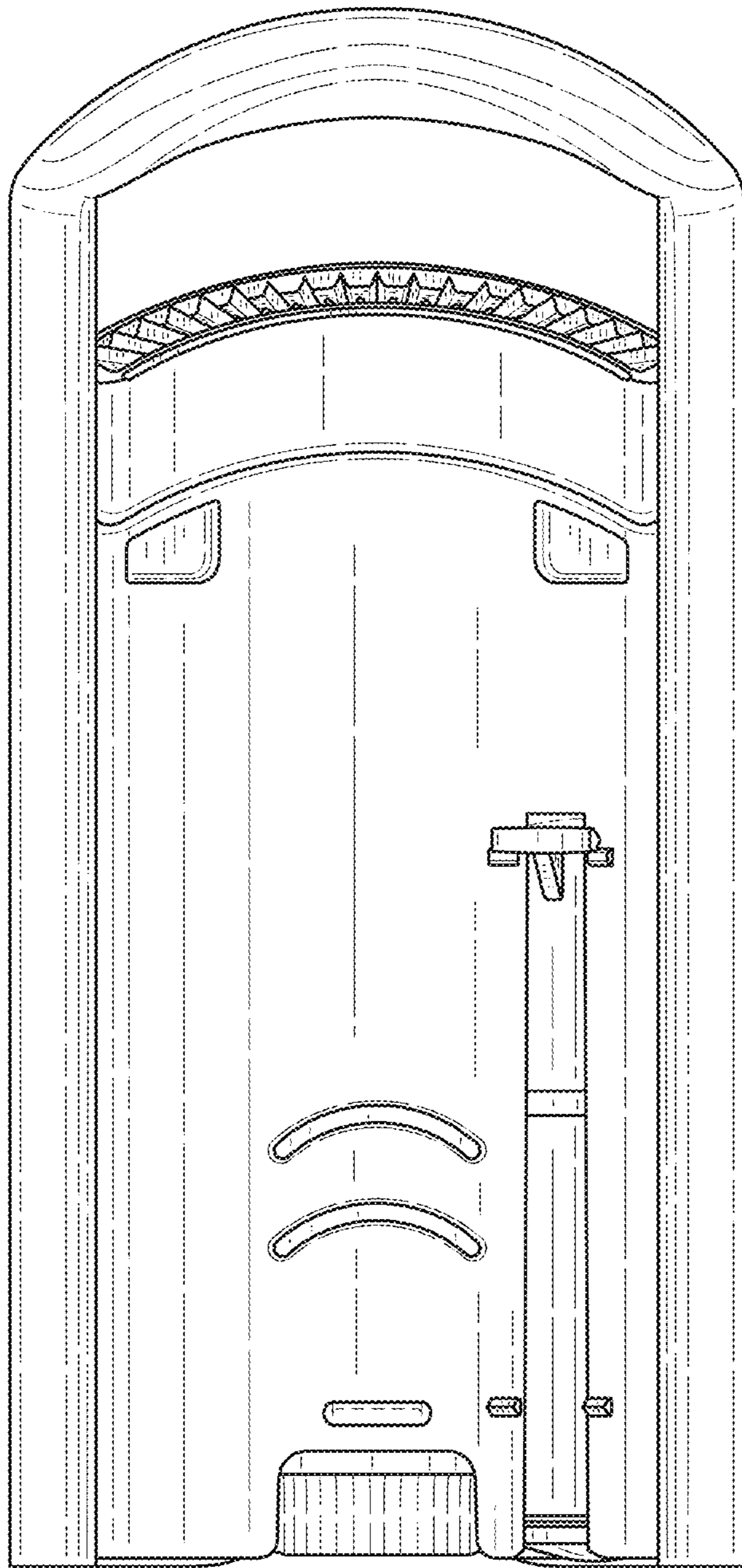


FIG. 4

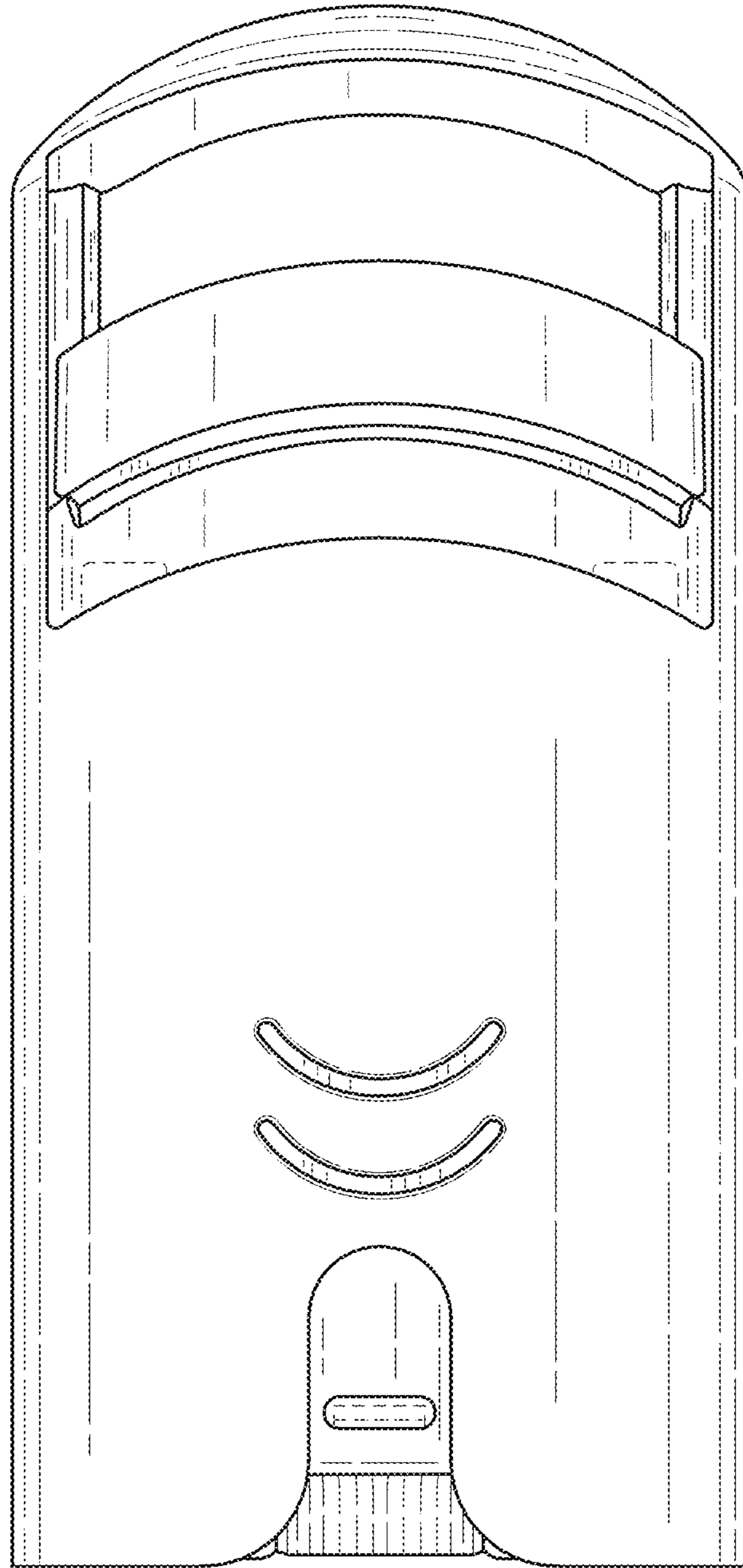


FIG.5

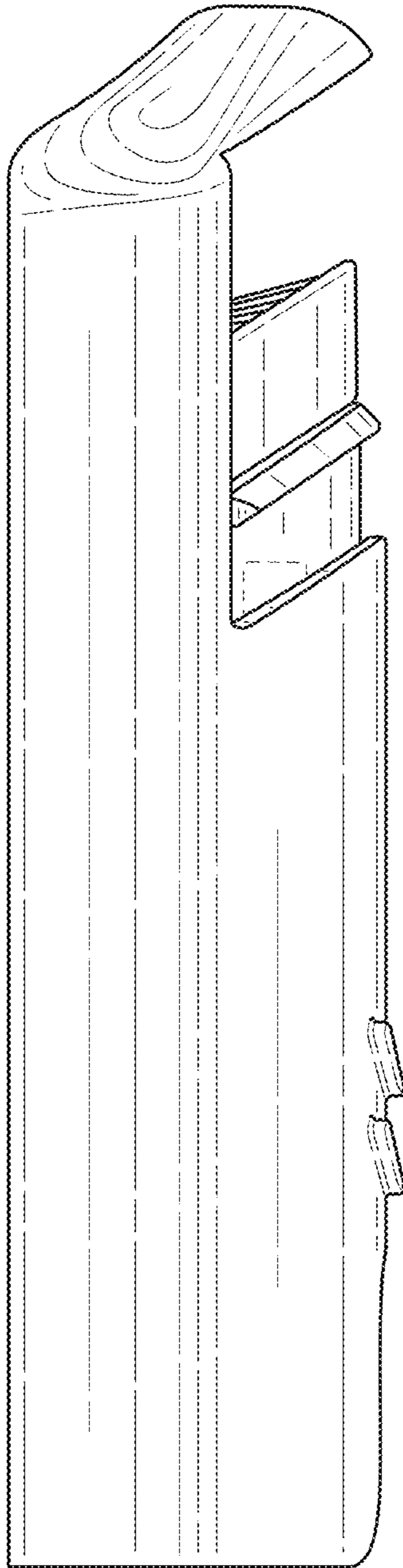


FIG.6

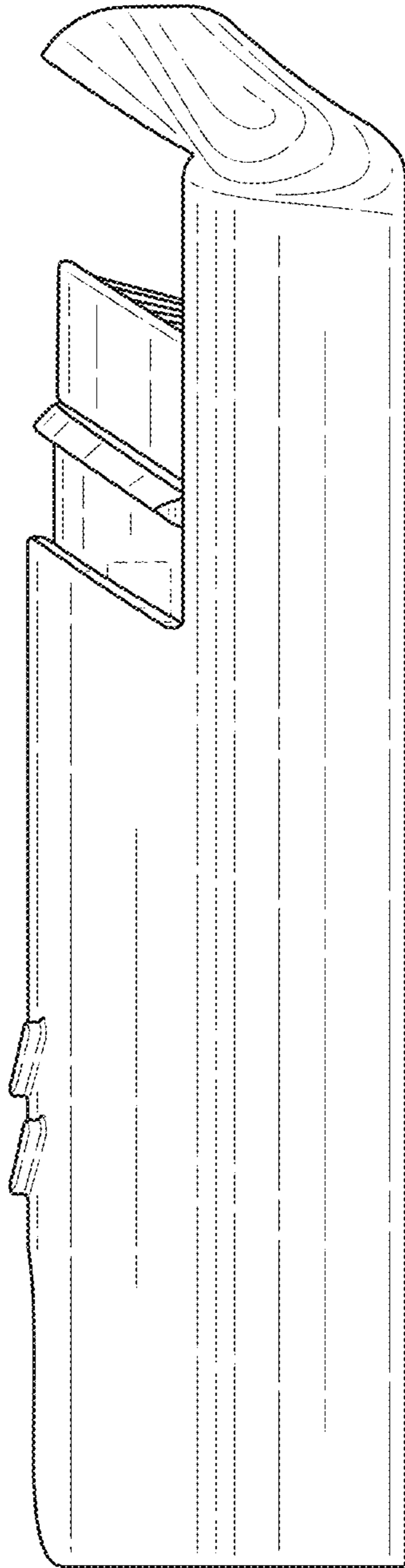


FIG.7

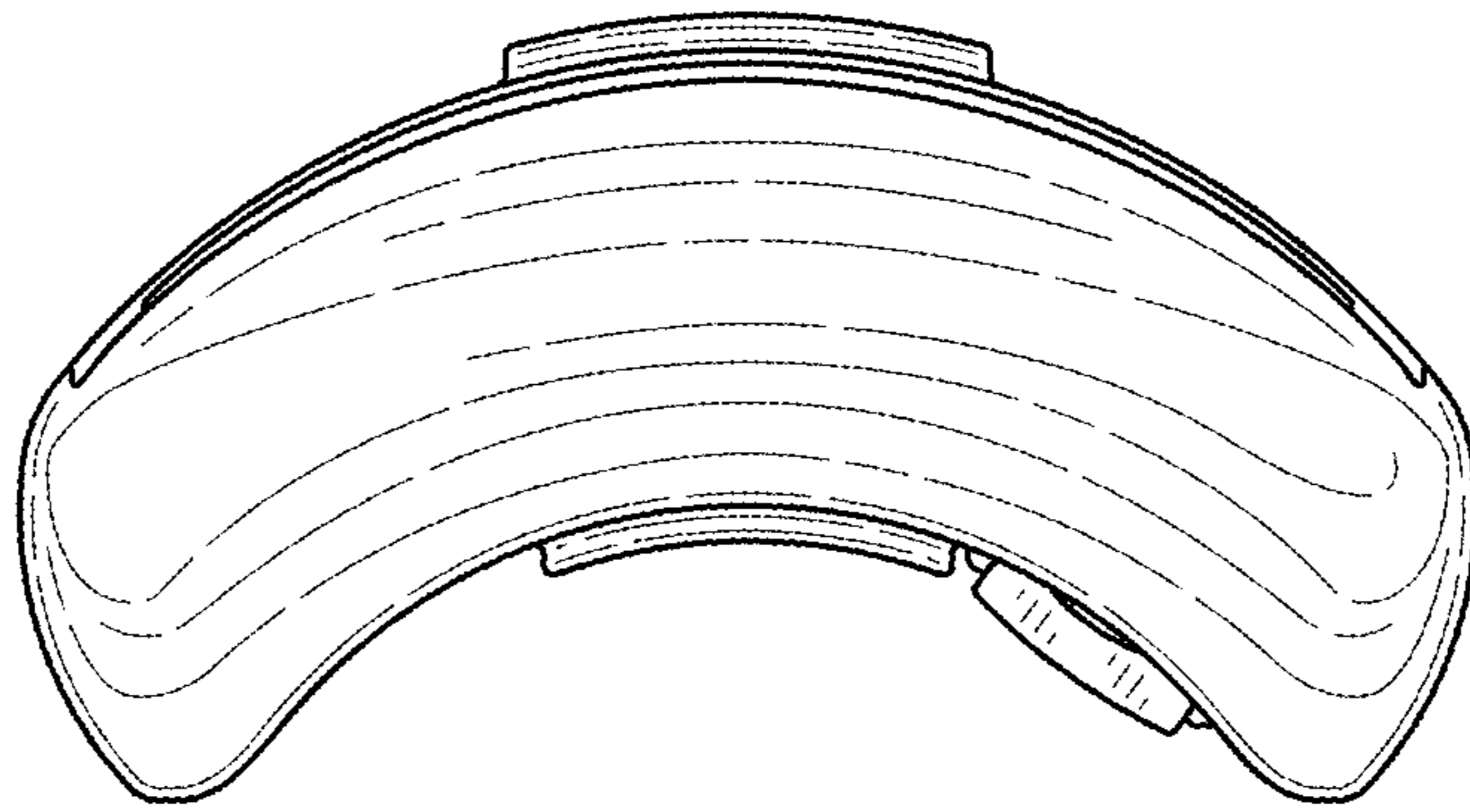


FIG.8

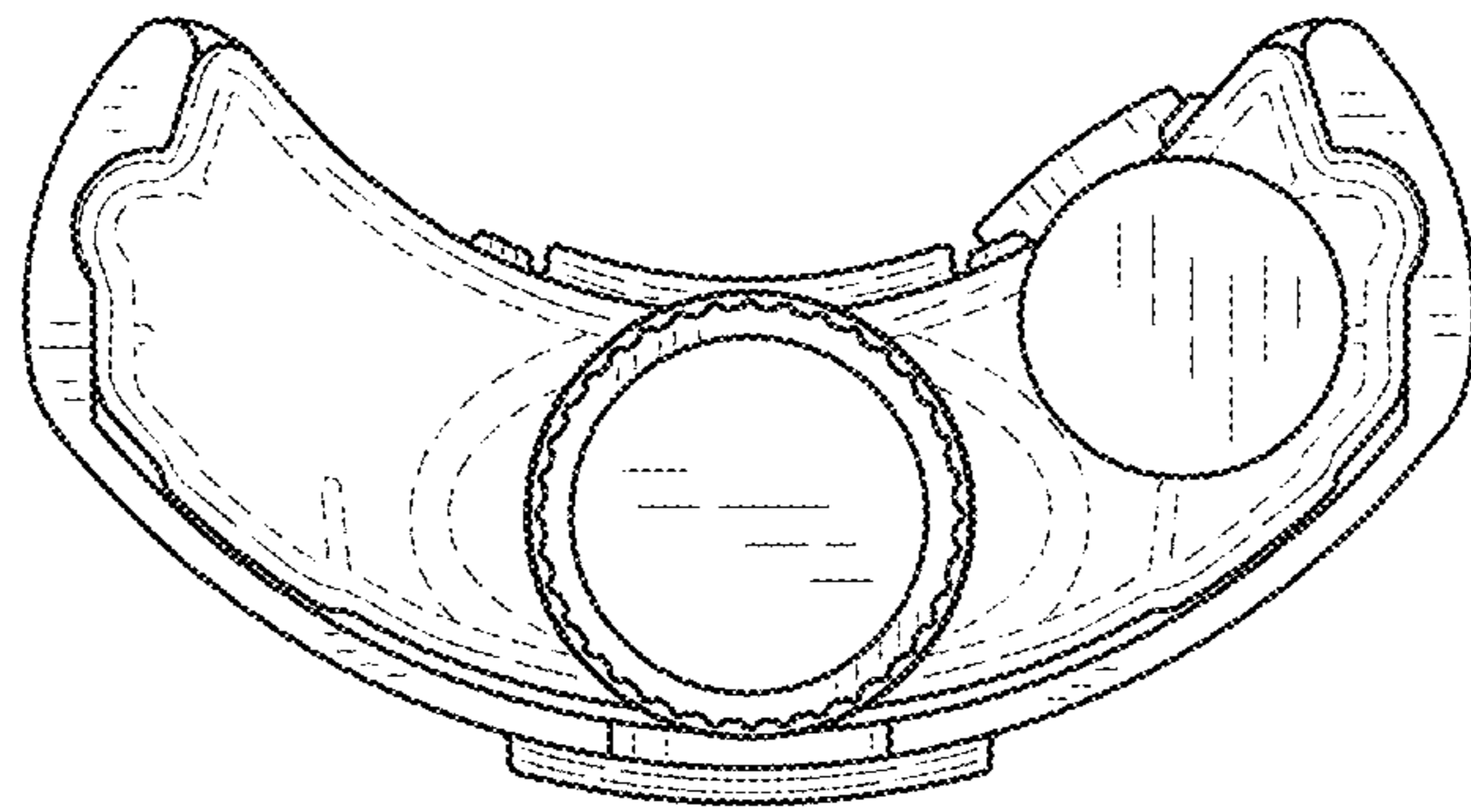


FIG.9

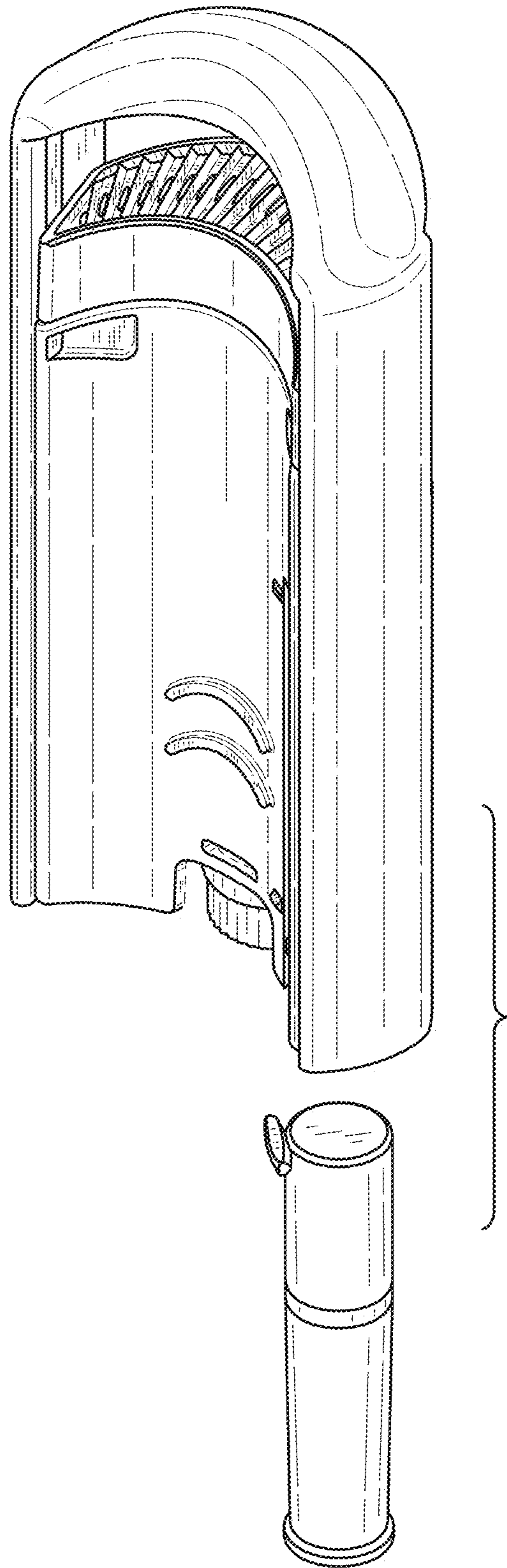


FIG. 10