

US00D965878S

(12) **United States Design Patent** (10) **Patent No.:** **US D965,878 S**  
**Dey et al.** (45) **Date of Patent:** **\*\* Oct. 4, 2022**

(54) **STAMPING DEVICE**

(71) Applicant: **Loxley LLC**, Henderson, CO (US)

(72) Inventors: **Courtney Kathleen Dey**, Commerce City, CO (US); **David Noah Seis**, Commerce City, CO (US)

(\*\*) Term: **15 Years**

(21) Appl. No.: **29/652,215**

(22) Filed: **Jun. 12, 2020**

**Related U.S. Application Data**

(63) Continuation of application No. 16/748,492, filed on Jan. 21, 2020.

(51) **LOC (13) Cl.** ..... **28-03**

(52) **U.S. Cl.**  
USPC ..... **D28/36**

(58) **Field of Classification Search**  
USPC ..... D28/7, 9, 36, 58, 92, 99  
CPC ..... A41G 5/02; A45D 44/00; A45D 2/48  
See application file for complete search history.

(56) **References Cited**

**U.S. PATENT DOCUMENTS**

- 1,925,266 A \* 9/1933 Manning ..... A45D 2/48  
132/217
- 5,944,028 A \* 8/1999 Gebhard ..... A45D 2/48  
132/216
- D431,678 S \* 10/2000 Suh ..... D28/36
- D443,110 S \* 5/2001 Watanabe ..... D28/36
- D501,580 S \* 2/2005 Sugawara ..... D28/36
- D580,098 S \* 11/2008 Zhang ..... D28/36

- D581,096 S \* 11/2008 Zhang ..... D28/36
- D607,147 S \* 12/2009 Sugawara ..... D28/36
- D607,148 S \* 12/2009 Sugawara ..... D28/36
- 2009/0255548 A1 \* 10/2009 Lin ..... A45D 2/48  
132/217
- 2016/0183655 A1 \* 6/2016 Dozer ..... A45D 40/18  
132/217
- 2017/0231368 A1 \* 8/2017 Navarro ..... A45D 2/48  
132/218
- 2021/0076795 A1 \* 3/2021 Giancaspro ..... A45D 2/48

\* cited by examiner

*Primary Examiner* — Alison M Ofstun

(74) *Attorney, Agent, or Firm* — FisherBroyles LLP; Ian R. Walsworth

(57) **CLAIM**

The ornamental design for a stamping device, as shown and described.

**DESCRIPTION**

FIG. 1 is a front perspective view of the stamping device showing the new design; FIG. 2 is a rear perspective view thereof; FIG. 3 is a front elevation view thereof; FIG. 4 is a rear elevation view thereof; FIG. 5 is a right elevation view thereof; FIG. 6 is a left elevation view thereof; FIG. 7 is a top plan view thereof; and, FIG. 8 is a bottom plan view thereof. In the drawings, the broken lines illustrate portions of the article which form no part of the claimed design.

**1 Claim, 7 Drawing Sheets**

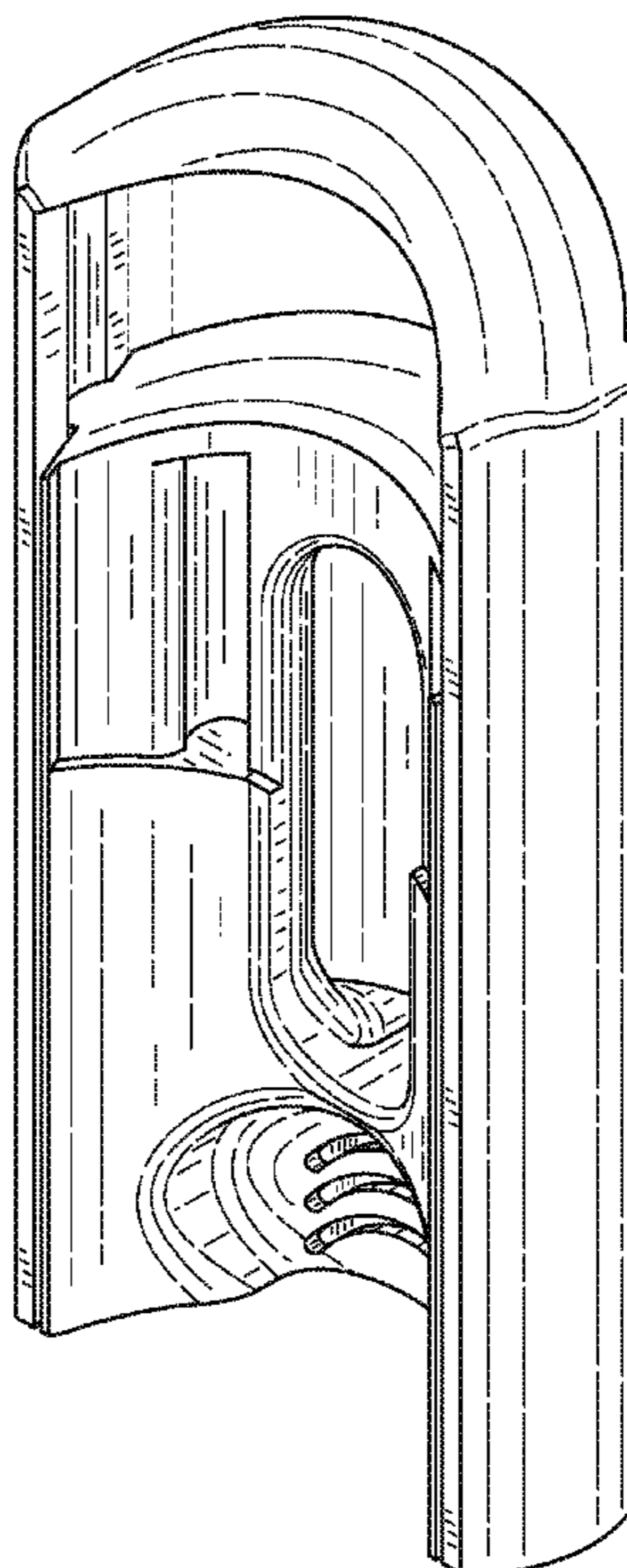




FIG. 1

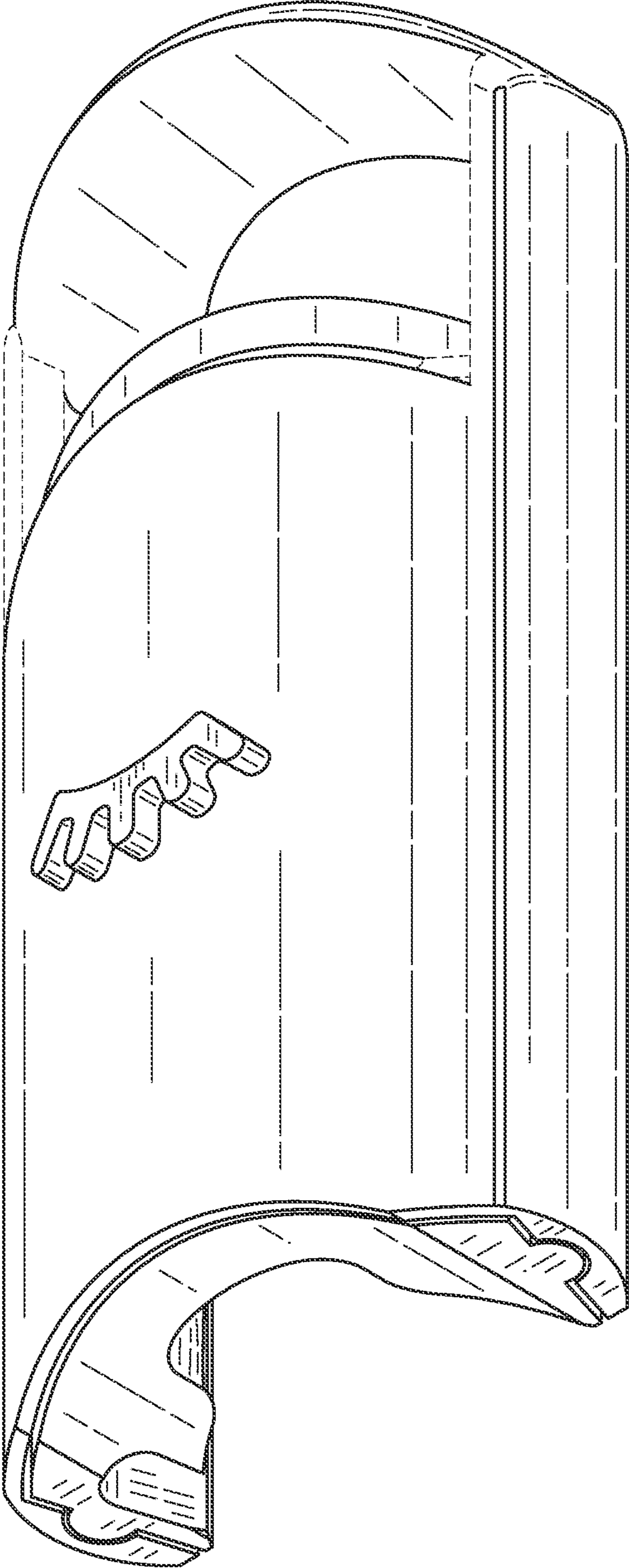


FIG.2



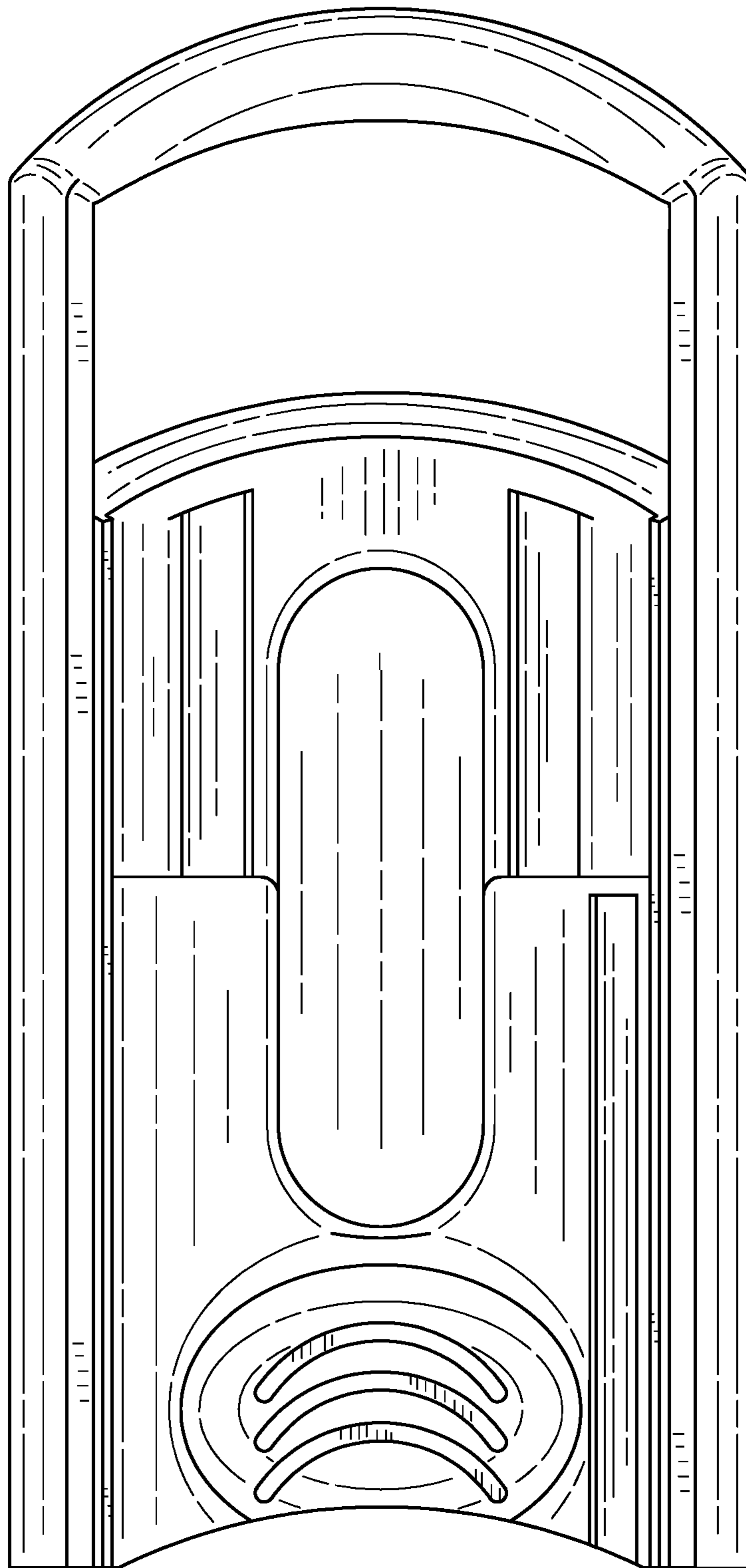


FIG.3

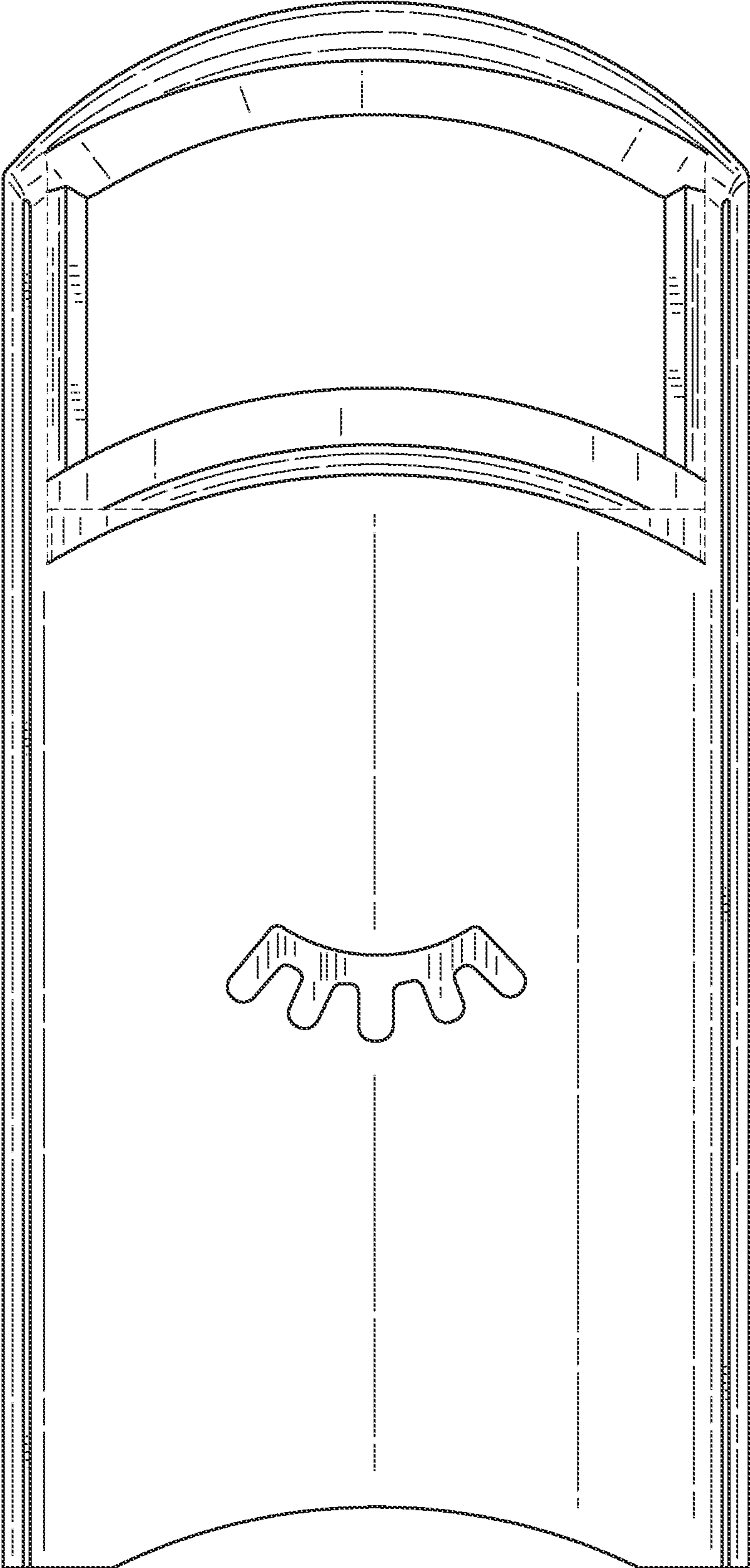


FIG.4

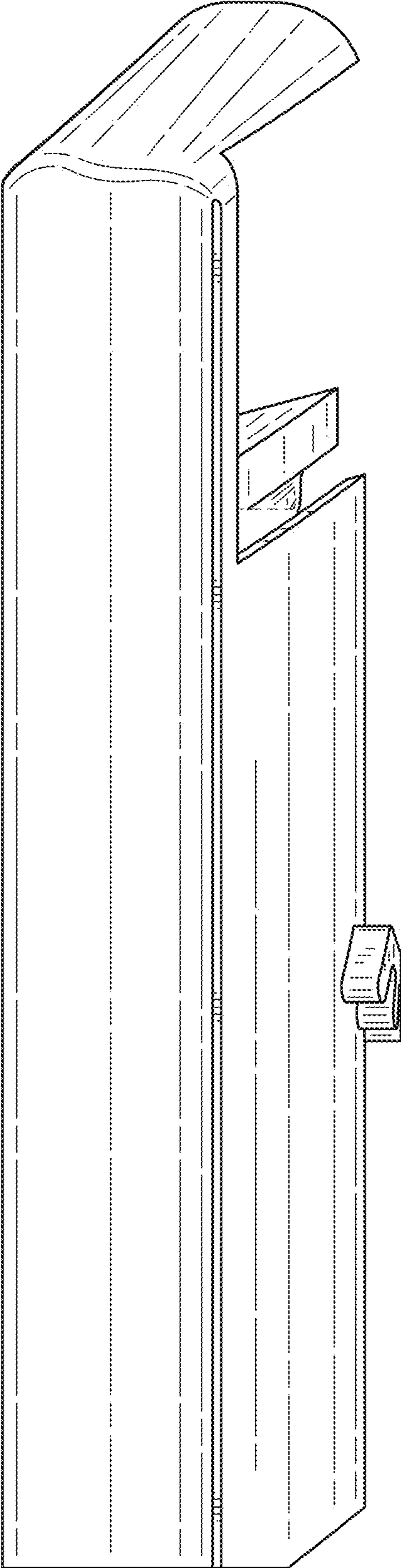


FIG.5

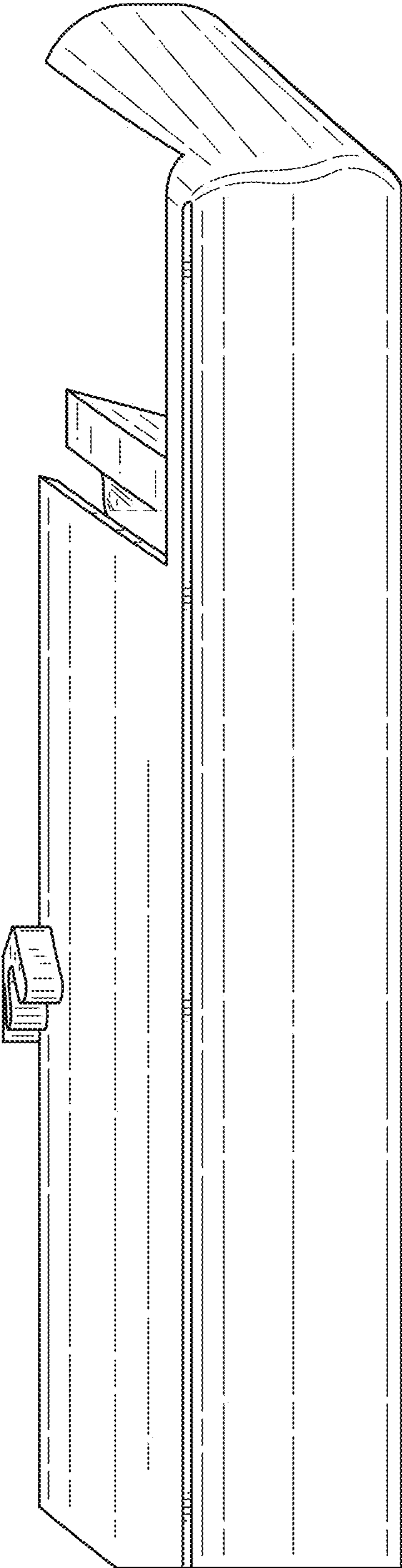


FIG.6

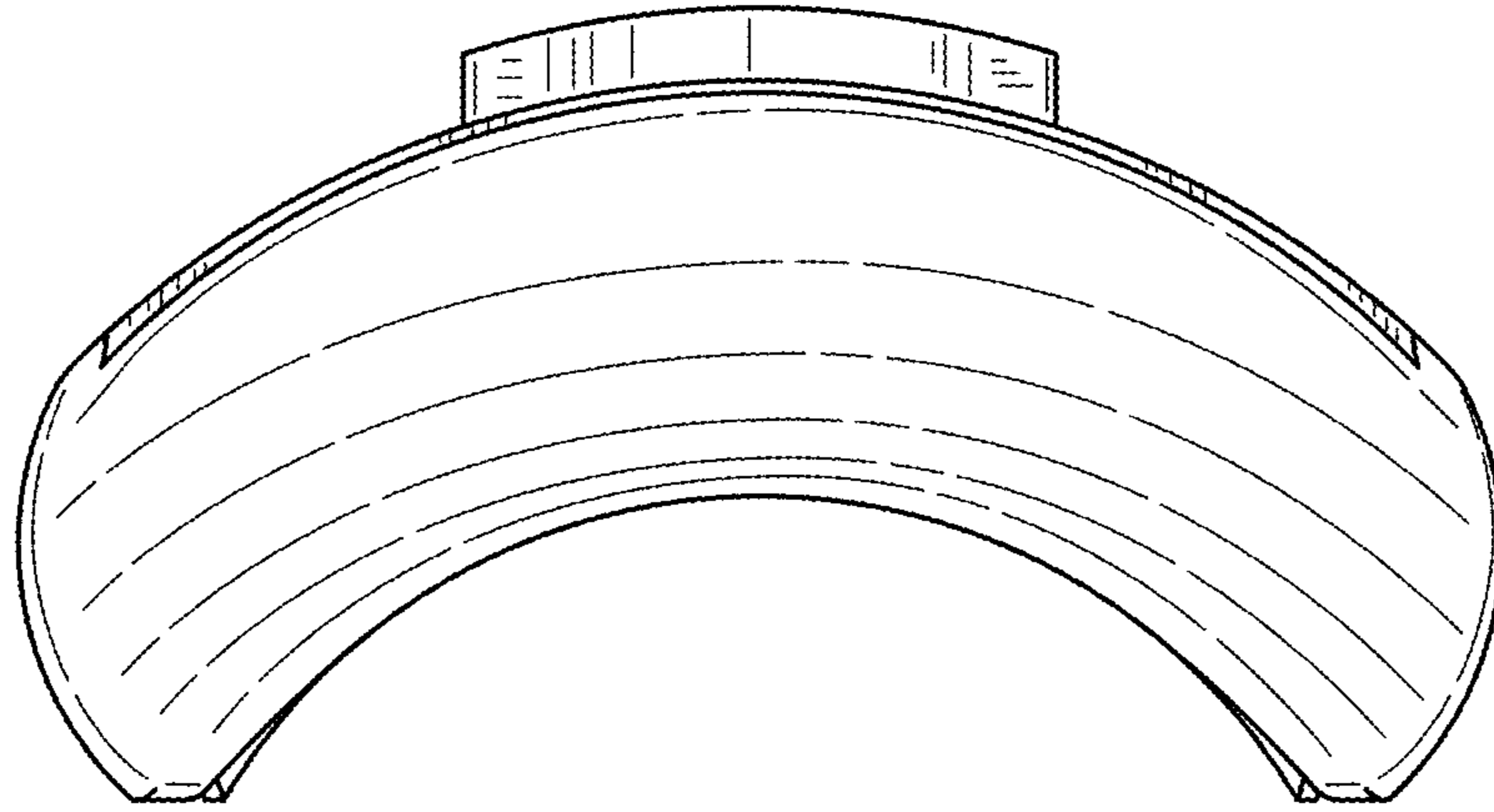


FIG. 7

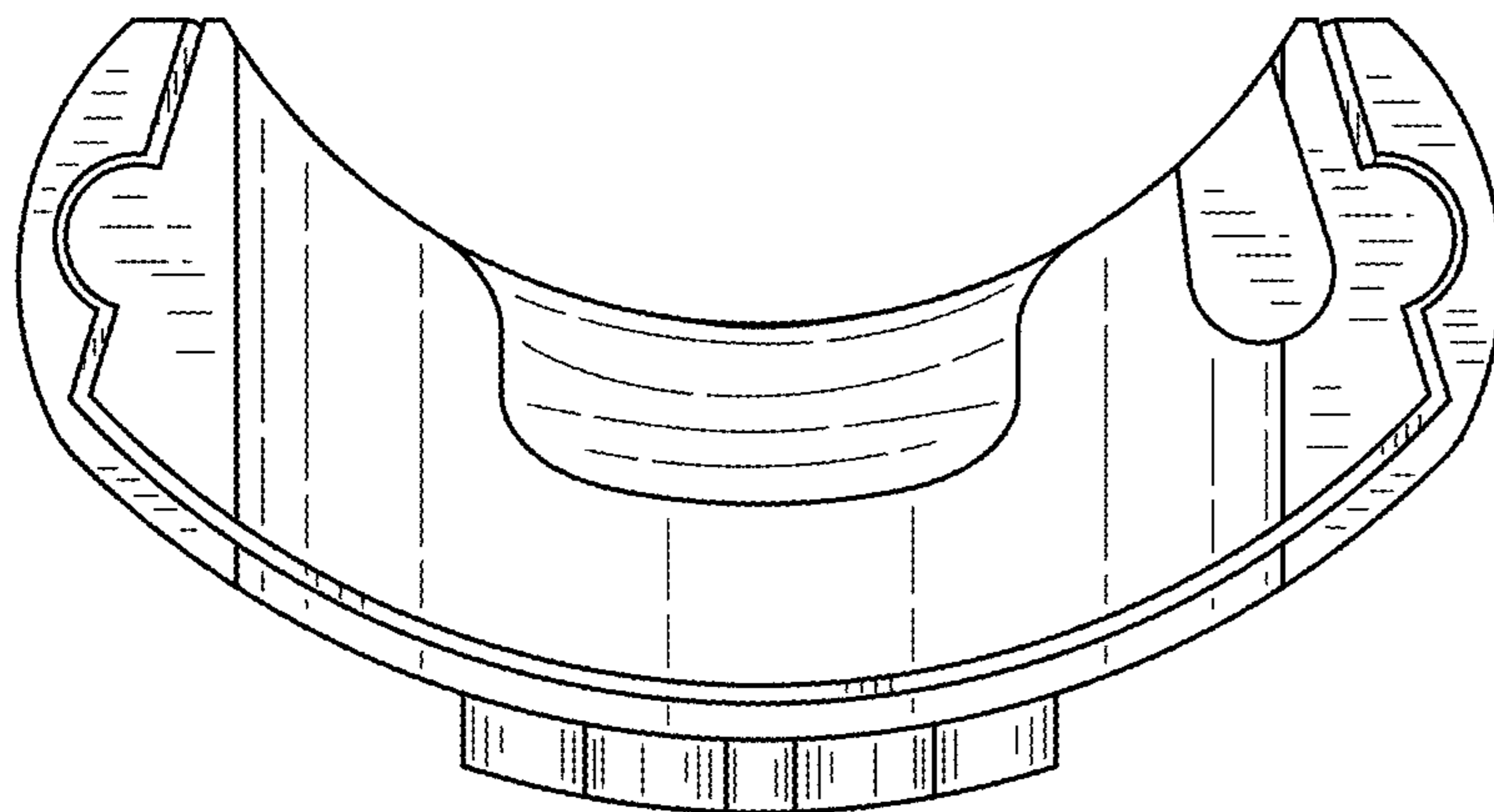


FIG. 8