



US00D965877S

(12) **United States Design Patent** (10) **Patent No.:** **US D965,877 S**  
**Luo** (45) **Date of Patent:** **\*\* Oct. 4, 2022**

(54) **HAIRDRESSING TOOL SET WITH HANDLE AND STYLING HEADS**

(71) Applicant: **Kefeng Luo**, Jinggangshan (CN)

(72) Inventor: **Kefeng Luo**, Jinggangshan (CN)

(\*\*) Term: **15 Years**

(21) Appl. No.: **29/798,040**

(22) Filed: **Jul. 6, 2021**

(51) **LOC (13) Cl.** ..... **28-03**

(52) **U.S. Cl.**  
USPC ..... **D28/35; D4/100**

(58) **Field of Classification Search**  
USPC ..... D28/10, 12, 13, 15, 18, 24, 25, 28, 35;  
D4/100, 127, 128, 132, 133, 134, 138,  
D4/199

(Continued)

(56) **References Cited**

**U.S. PATENT DOCUMENTS**

D383,245 S \* 9/1997 Seifert ..... D28/35  
D715,996 S \* 10/2014 Dyson ..... A45D 20/12  
D28/13

(Continued)

**OTHER PUBLICATIONS**

5-in-1 Hair Curler Automatic Hair Straighteners . . . [on-line],  
[Original date of publication unknown.] [Retrieved from the Inter-  
net Jul. 8, 2022.] URL: <[https://www.aliexpress.com/item/3256804152920012.html?spm=a2gOo.productlist.0.0.38324f7b5wupKj&algo\\_pvid=46ce65b4-cfda-4538-84d8-cfda-4538-84d8-973fe4560c16&aem\\_p4p\\_detail=202207081437081964393190527370026220172&algo\\_exp\\_id=46ce65b4-cfda-4538-84d8-973fe4560c16-8&pdp\\_ext\\_f=%7B%22sku\\_id%22%3A%2212000028816922945%22%7D&pdp\\_npi=2%40dis%21USD%21%2133.29%21%21%21%21%21%40210318d116573162280917450ea9a0%2112000028816922945%21sea](https://www.aliexpress.com/item/3256804152920012.html?spm=a2gOo.productlist.0.0.38324f7b5wupKj&algo_pvid=46ce65b4-cfda-4538-84d8-cfda-4538-84d8-973fe4560c16&aem_p4p_detail=202207081437081964393190527370026220172&algo_exp_id=46ce65b4-cfda-4538-84d8-973fe4560c16-8&pdp_ext_f=%7B%22sku_id%22%3A%2212000028816922945%22%7D&pdp_npi=2%40dis%21USD%21%2133.29%21%21%21%21%21%40210318d116573162280917450ea9a0%2112000028816922945%21sea)> (Year: 2022).\*

(Continued)

*Primary Examiner* — Karen E Eldridge Powers

(57) **CLAIM**

The ornamental design for a hairdressing tool set with handle and styling heads, as shown and described.

**DESCRIPTION**

FIG. 1 is a front, top and left side perspective view of a handle of a hairdressing tool set with handle and styling heads showing my new design, shown separately for clarity of illustration;

FIG. 2 is a rear, bottom and right side perspective view thereof;

FIG. 3 is a front elevational view thereof;

FIG. 4 is a rear elevational view thereof;

FIG. 5 is a left side elevational view thereof;

FIG. 6 is a right side elevational view thereof;

FIG. 7 is a top plan view thereof;

FIG. 8 is a bottom plan view thereof;

FIG. 9 is an enlarged view of portion 9 shown in FIG. 1;

FIG. 10 is a front, top and left side perspective view of a first styling head of the hairdressing tool set with handle and styling heads, shown separately for clarity of illustration;

FIG. 11 is a rear, bottom and right side perspective view thereof;

FIG. 12 is a front elevational view thereof;

FIG. 13 is a rear elevational view thereof;

FIG. 14 is a left side elevational view thereof;

FIG. 15 is a right side elevational view thereof;

FIG. 16 is a top plan view thereof;

FIG. 17 is a bottom plan view thereof;

FIG. 18 is a front, top and left side perspective view of a second styling head of the hairdressing tool set with handle and styling heads, shown separately for clarity of illustration;

FIG. 19 is a rear, bottom and right side perspective view thereof;

FIG. 20 is a front elevational view thereof;

FIG. 21 is a rear elevational view thereof;

FIG. 22 is a left side elevational view thereof;

FIG. 23 is a right side elevational view thereof;

FIG. 24 is a top plan view thereof;

FIG. 25 is a bottom plan view thereof;

(Continued)

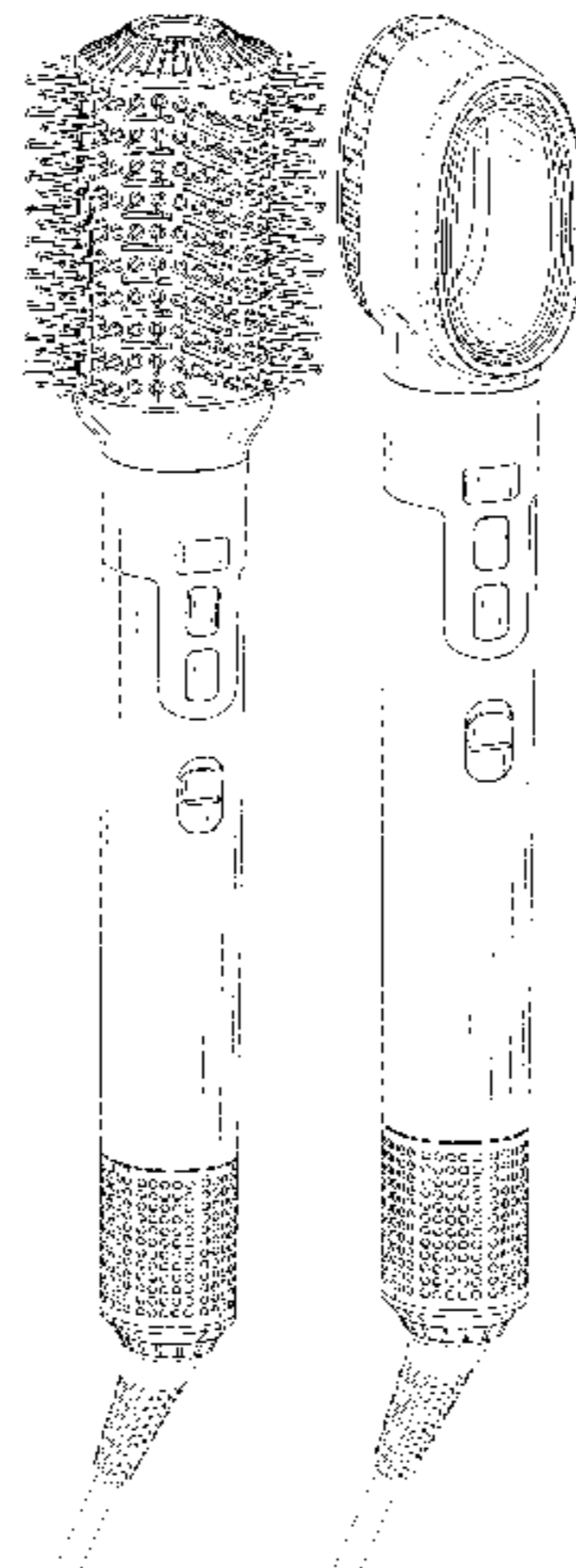


FIG. 26 is a front, top and left side perspective view of the handle and the first styling head where the first styling head is assembled with the handle;

FIG. 27 is a front, top and left side perspective view of the handle and the second styling head where the second styling head is assembled with the handle; and,

FIG. 28 is an enlarged view of portion 28 shown in FIG. 10. The evenly spaced broken lines in the drawings depict portions of the hairdressing tool set with handle and styling heads that form no part of the claimed design. The long-short-long broken lines illustrate the bounds of the enlarged drawing figures as well as the portion of the drawings from which they were taken. The long-short-long broken lines form no part of the claimed design.

**1 Claim, 28 Drawing Sheets**

(58) **Field of Classification Search**

CPC ..... A45D 20/08; A45D 20/10  
See application file for complete search history.

(56) **References Cited**

U.S. PATENT DOCUMENTS

D758,010	S *	5/2016	Bates	.....	D28/13
9,420,865	B2 *	8/2016	Gammack	.....	A45D 20/12
D850,001	S *	5/2019	Coulton	.....	D28/18
D850,716	S *	6/2019	Jin	.....	D28/13
D852,415	S *	6/2019	Coulton	.....	D28/18
D852,416	S *	6/2019	Coulton	.....	D28/18
D853,637	S *	7/2019	Coulton	.....	D28/18

D853,640	S *	7/2019	Tappenden	.....	D28/18
D853,642	S *	7/2019	Coulton	.....	D28/18
D866,067	S *	11/2019	Thompson	.....	D28/13
D872,358	S *	1/2020	Liao	.....	D28/13
D875,310	S *	2/2020	Thompson	.....	D28/18
D879,374	S *	3/2020	Liao	.....	D28/13
D881,579	S	4/2020	Gao	.....	
D885,663	S *	5/2020	Flynn	.....	D28/13
D890,425	S *	7/2020	Liao	.....	D28/13
D890,426	S *	7/2020	Liao	.....	D28/13
D909,064	S *	2/2021	Huang	.....	D28/35
D909,759	S *	2/2021	Huang	.....	D28/35
D917,173	S *	4/2021	Li	.....	D28/35
D917,886	S *	5/2021	Ma	.....	D28/35
D921,291	S *	6/2021	Zhang	.....	D4/133
D934,498	S *	10/2021	Hillebrecht	.....	D28/35
D943,281	S *	2/2022	Zou	.....	D28/35
D953,635	S *	5/2022	Jin	.....	D28/13

OTHER PUBLICATIONS

New Airwrap Styler 5 In 1 Electric Hair Dryer Brush . . . [on-line], [Original publication date unknown.] [Retrieved from the Internet Jul. 8, 2022.] URL: <[https://www.aliexpress.com/item/3256802810148984.html?spm=a2gOo.productlist.0.0.38324f7b5wupKj&algo\\_pvid=46ce65b4-cfda-4538-84d8-973fe4560c16&aem\\_p4p\\_detail=202207081437081964393190527370026220172&algo\\_exp\\_id=46ce65b4-cfda-4538-84d8-973fe4560c16-24&pdp\\_ext\\_f=%7B%22sku\\_id%22%3A%2212000023129116053%22%7D&pdp\\_npi=2%40dis%21USD%21%2142.9%21%21%21%21%21%40210318d116573162280917450ea9a0%2112000023129116053%21sea](https://www.aliexpress.com/item/3256802810148984.html?spm=a2gOo.productlist.0.0.38324f7b5wupKj&algo_pvid=46ce65b4-cfda-4538-84d8-973fe4560c16&aem_p4p_detail=202207081437081964393190527370026220172&algo_exp_id=46ce65b4-cfda-4538-84d8-973fe4560c16-24&pdp_ext_f=%7B%22sku_id%22%3A%2212000023129116053%22%7D&pdp_npi=2%40dis%21USD%21%2142.9%21%21%21%21%21%40210318d116573162280917450ea9a0%2112000023129116053%21sea)> (Year: 2022).\*

\* cited by examiner

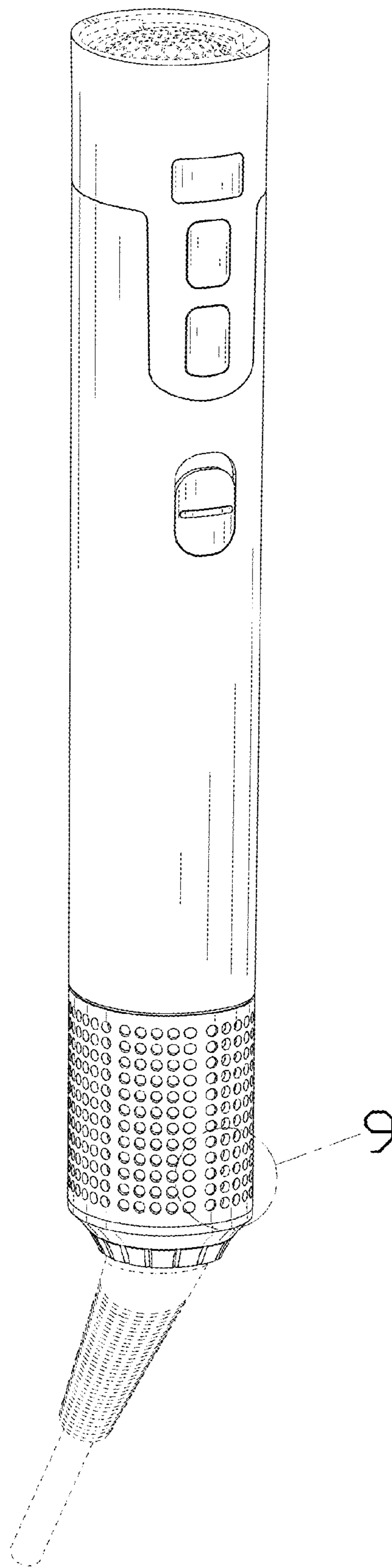


FIG. 1

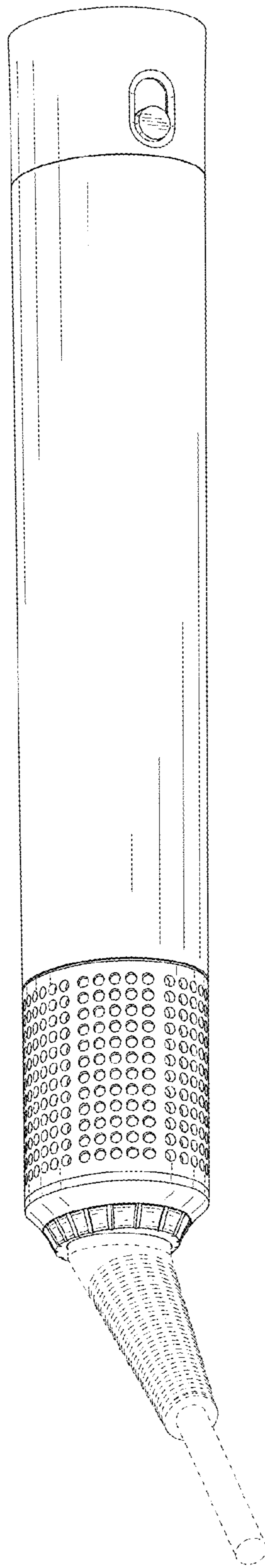


FIG. 2

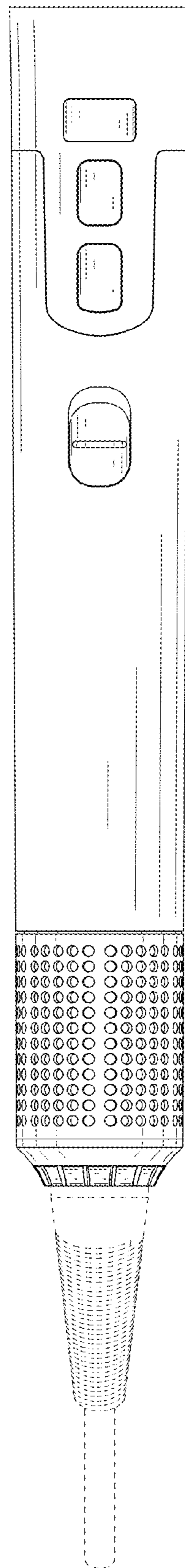


FIG. 3

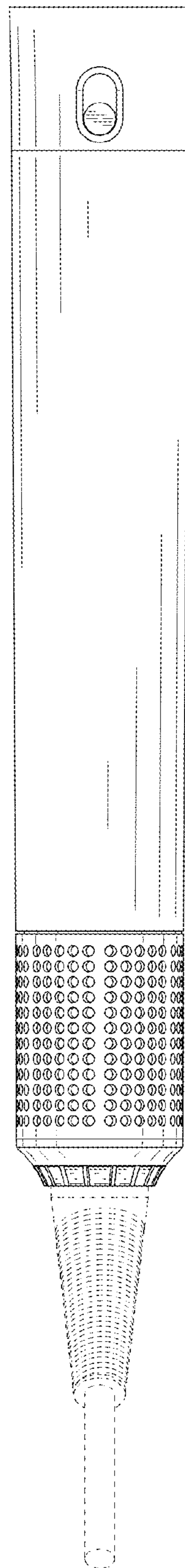


FIG. 4

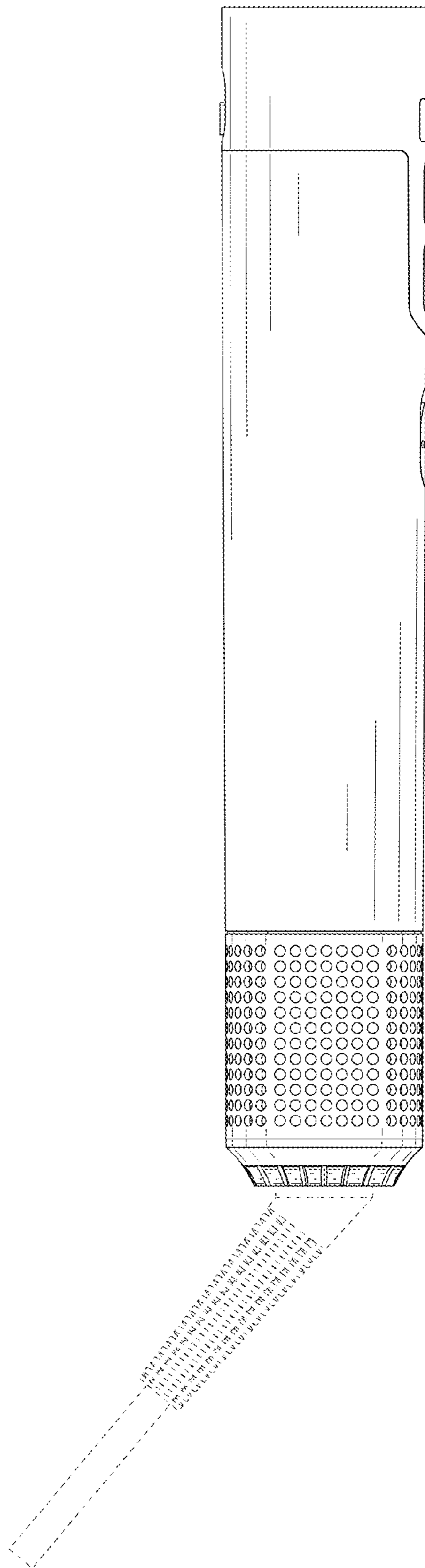


FIG. 5

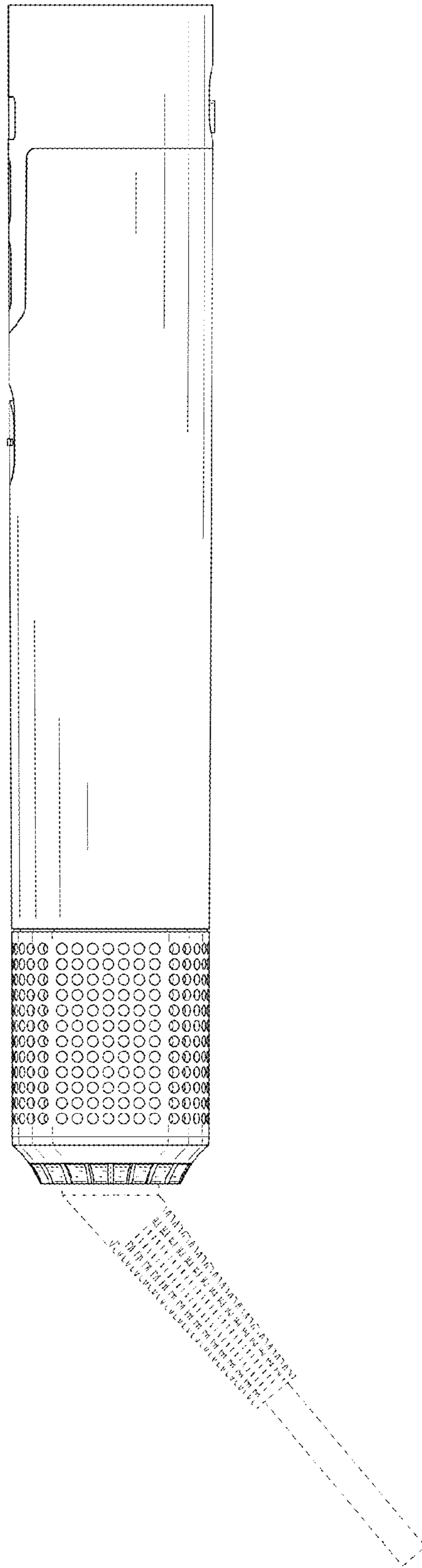


FIG. 6



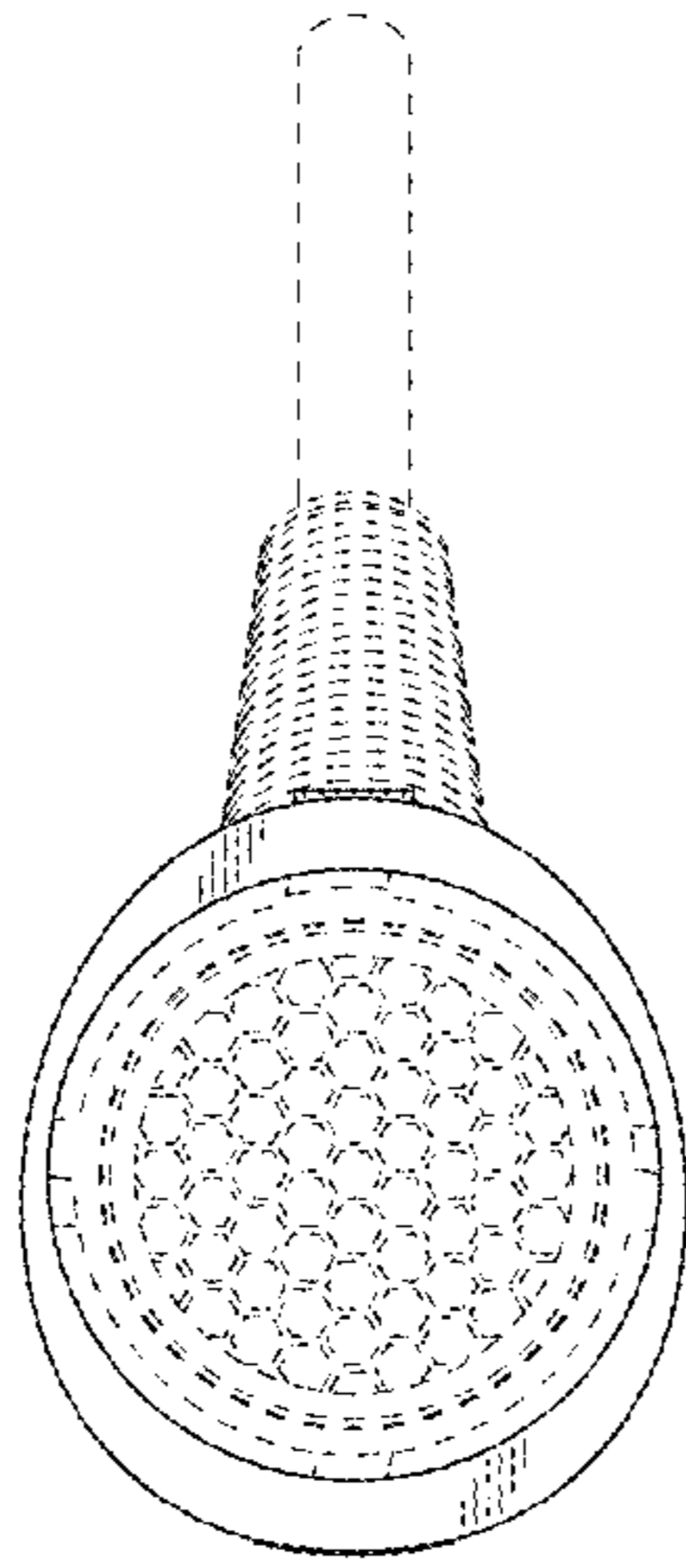


FIG. 7

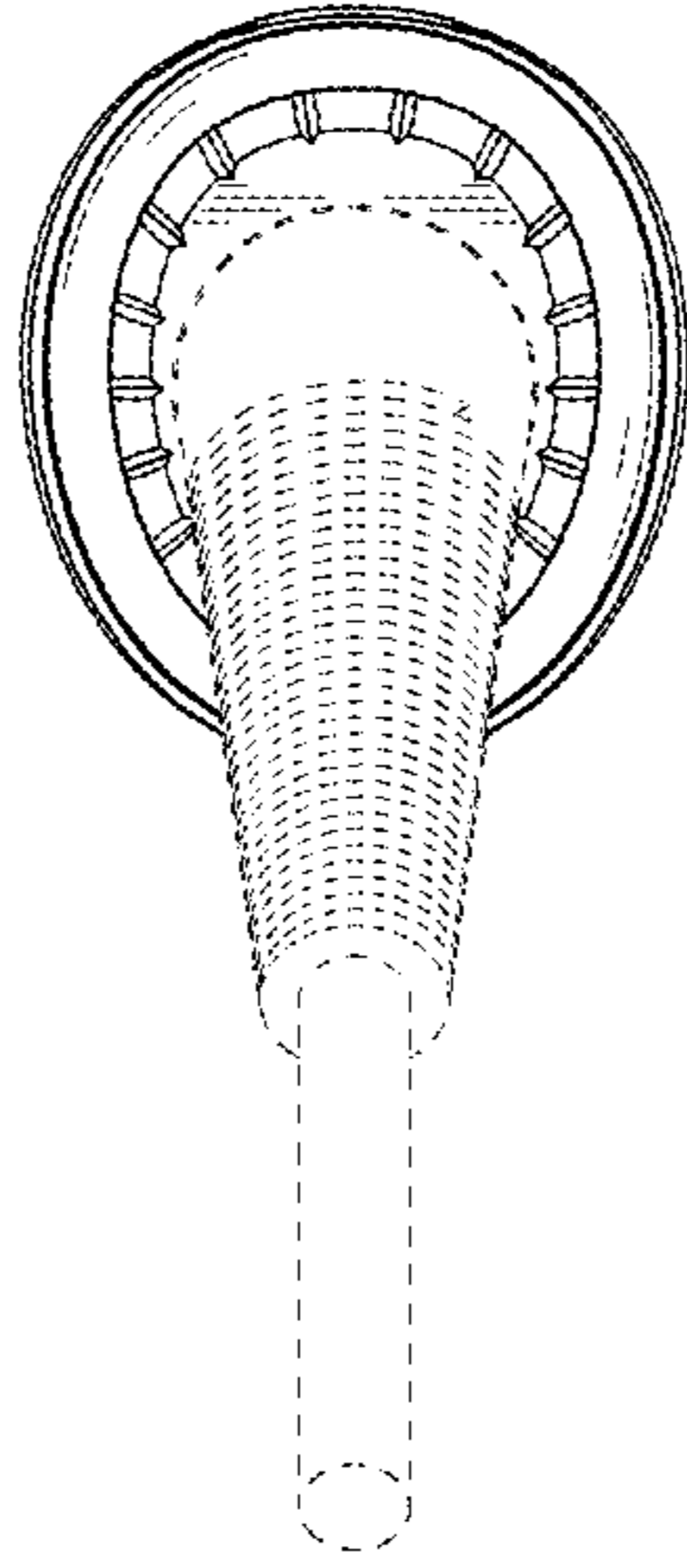


FIG. 8

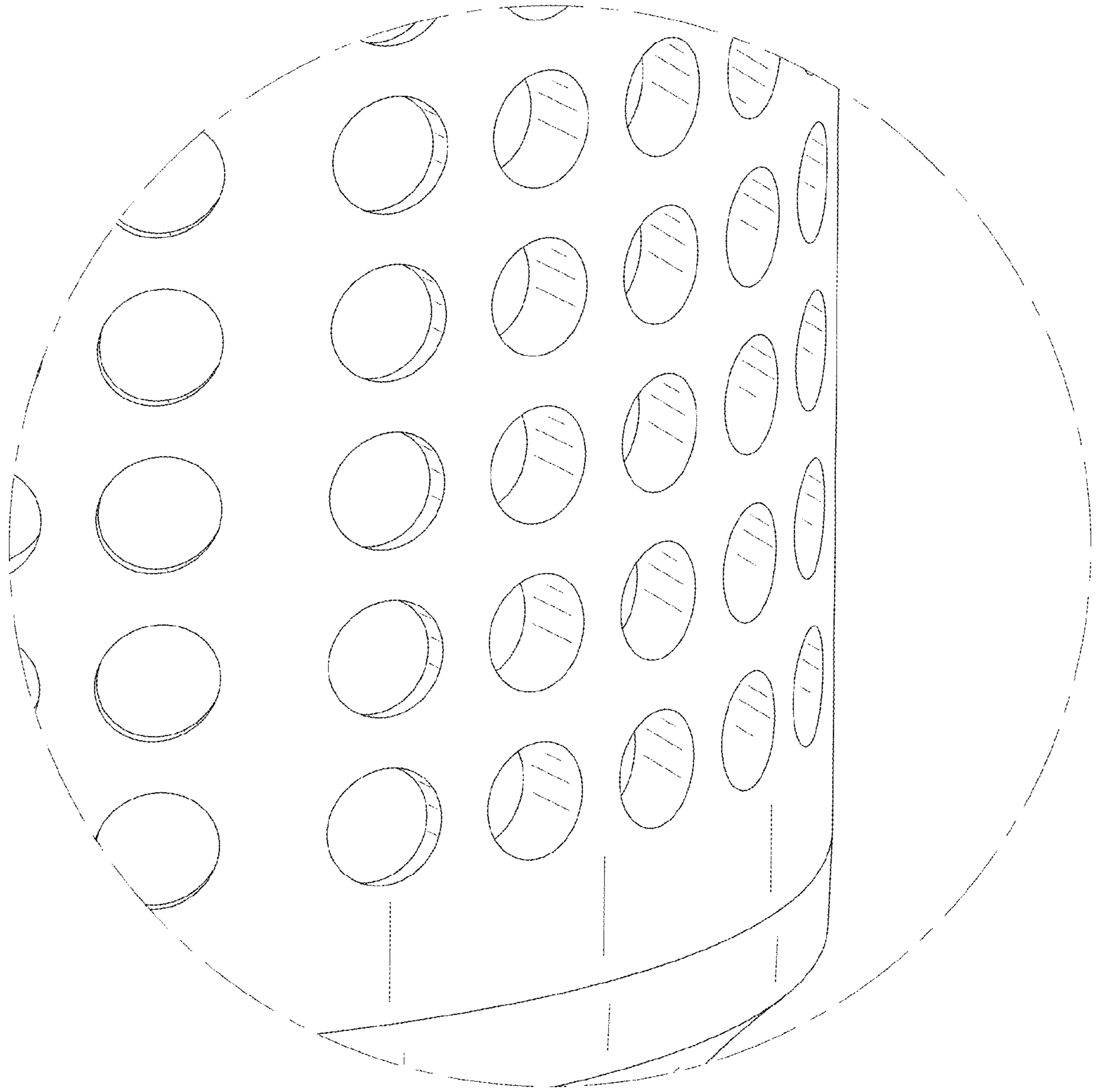


FIG. 9

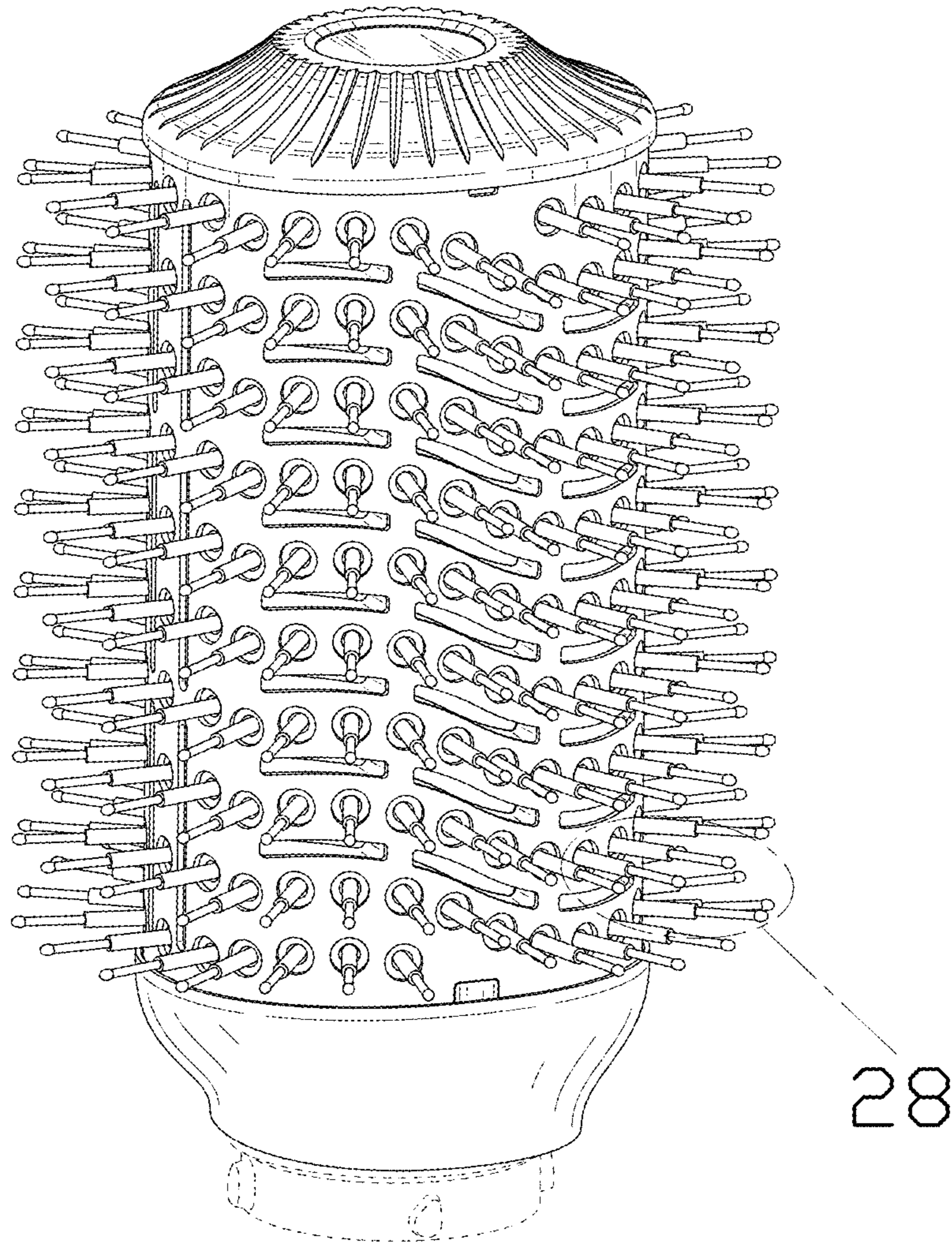


FIG. 10

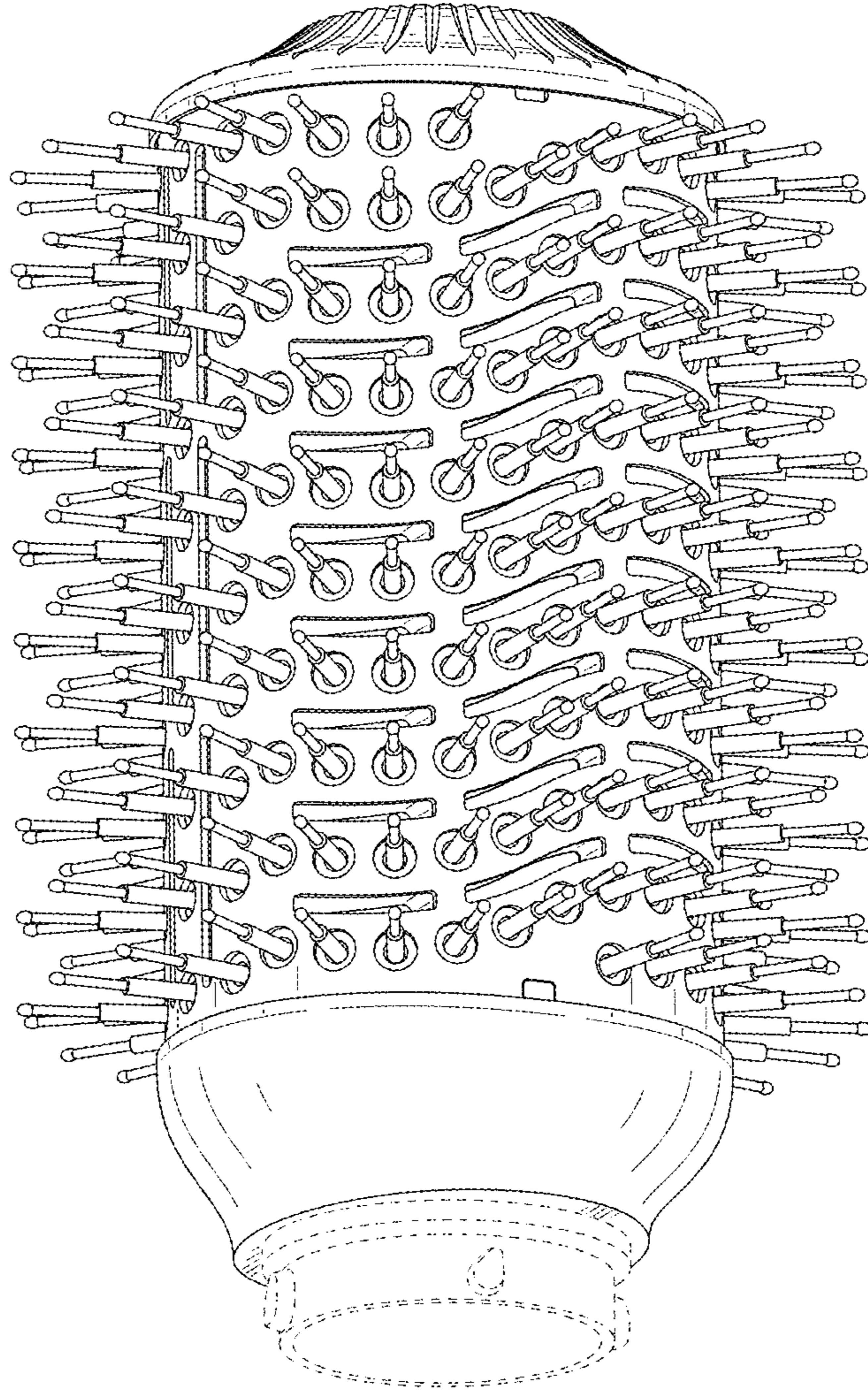


FIG. 11

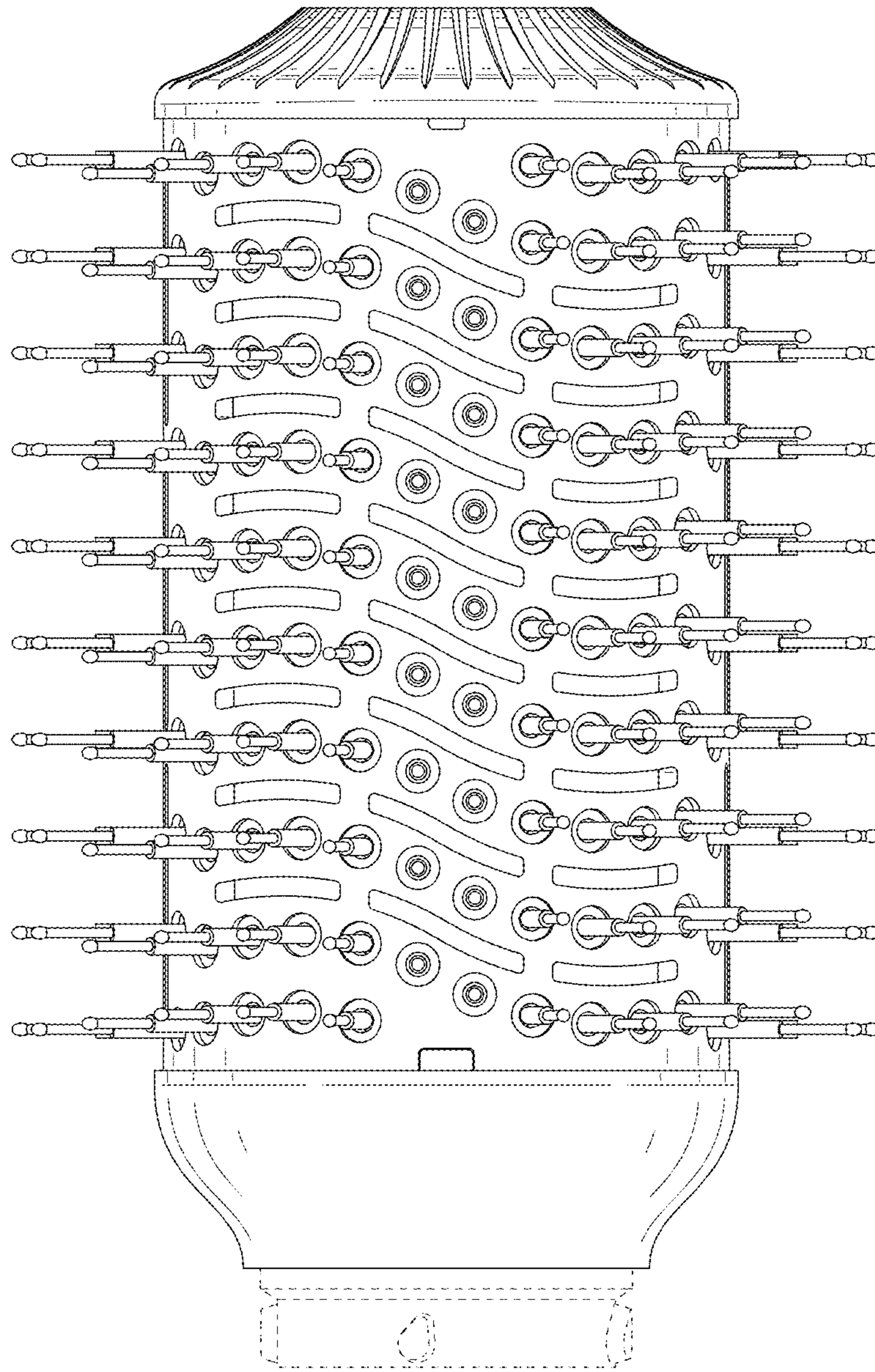


FIG. 12

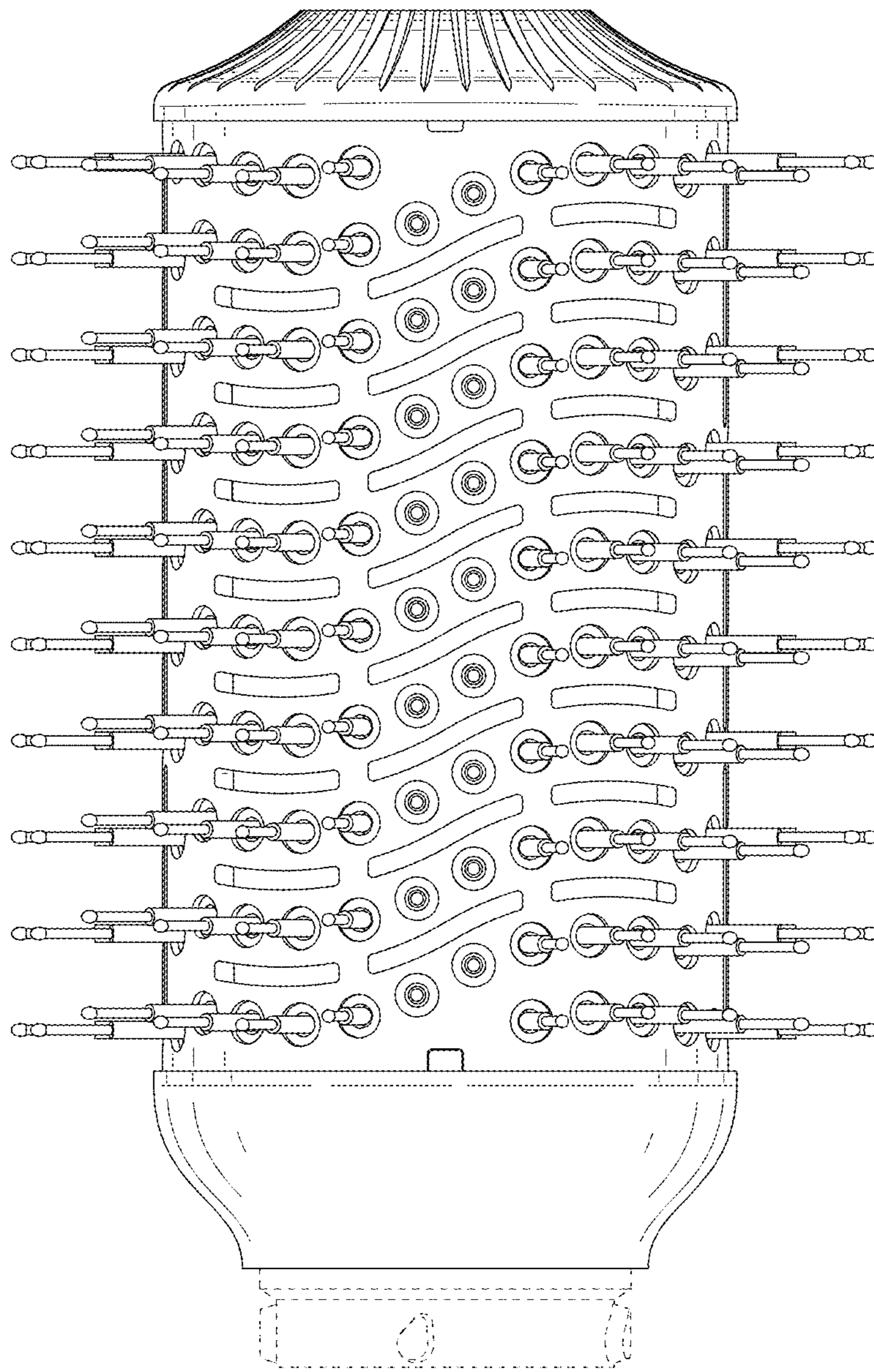


FIG. 13

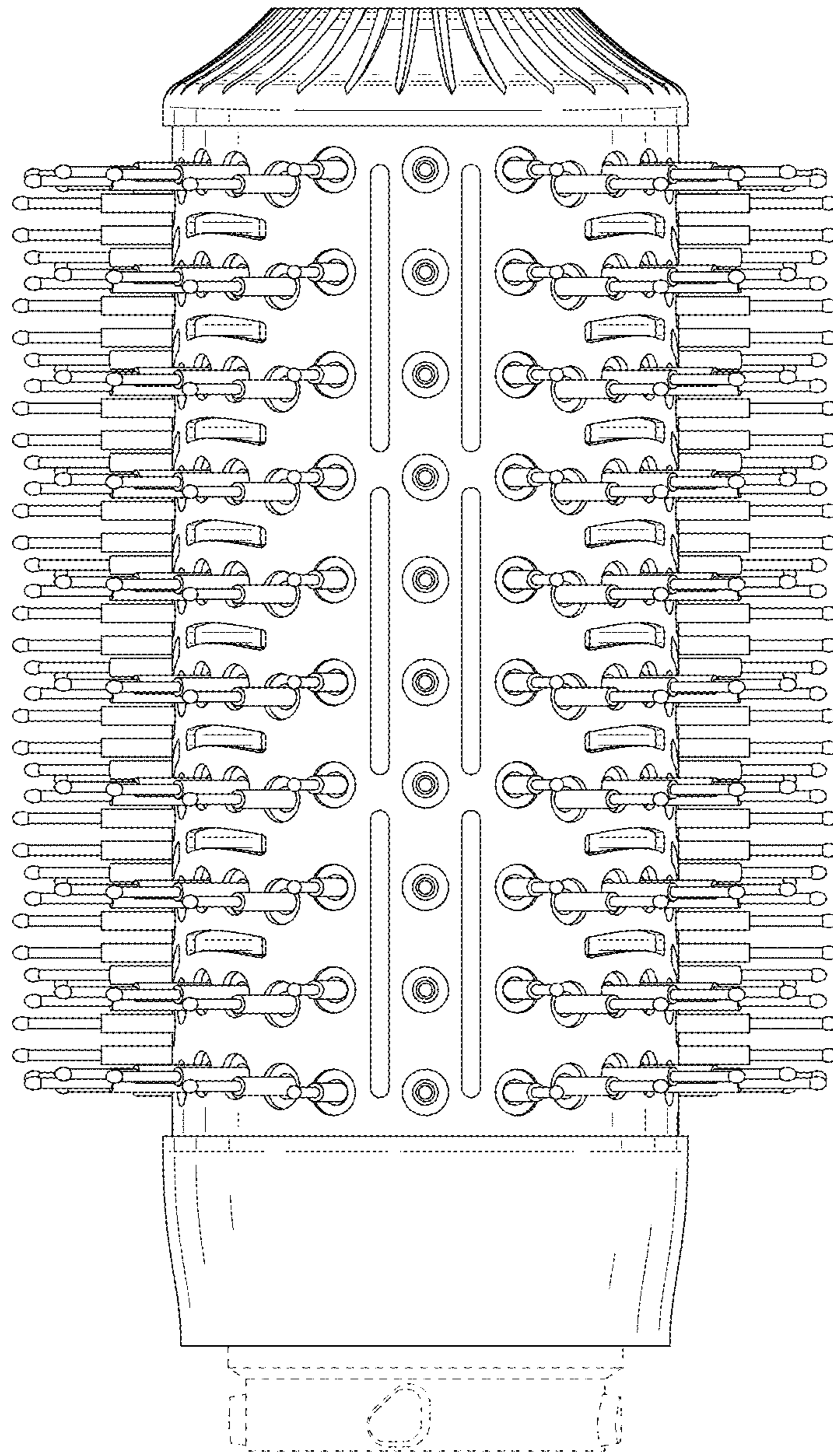


FIG. 14



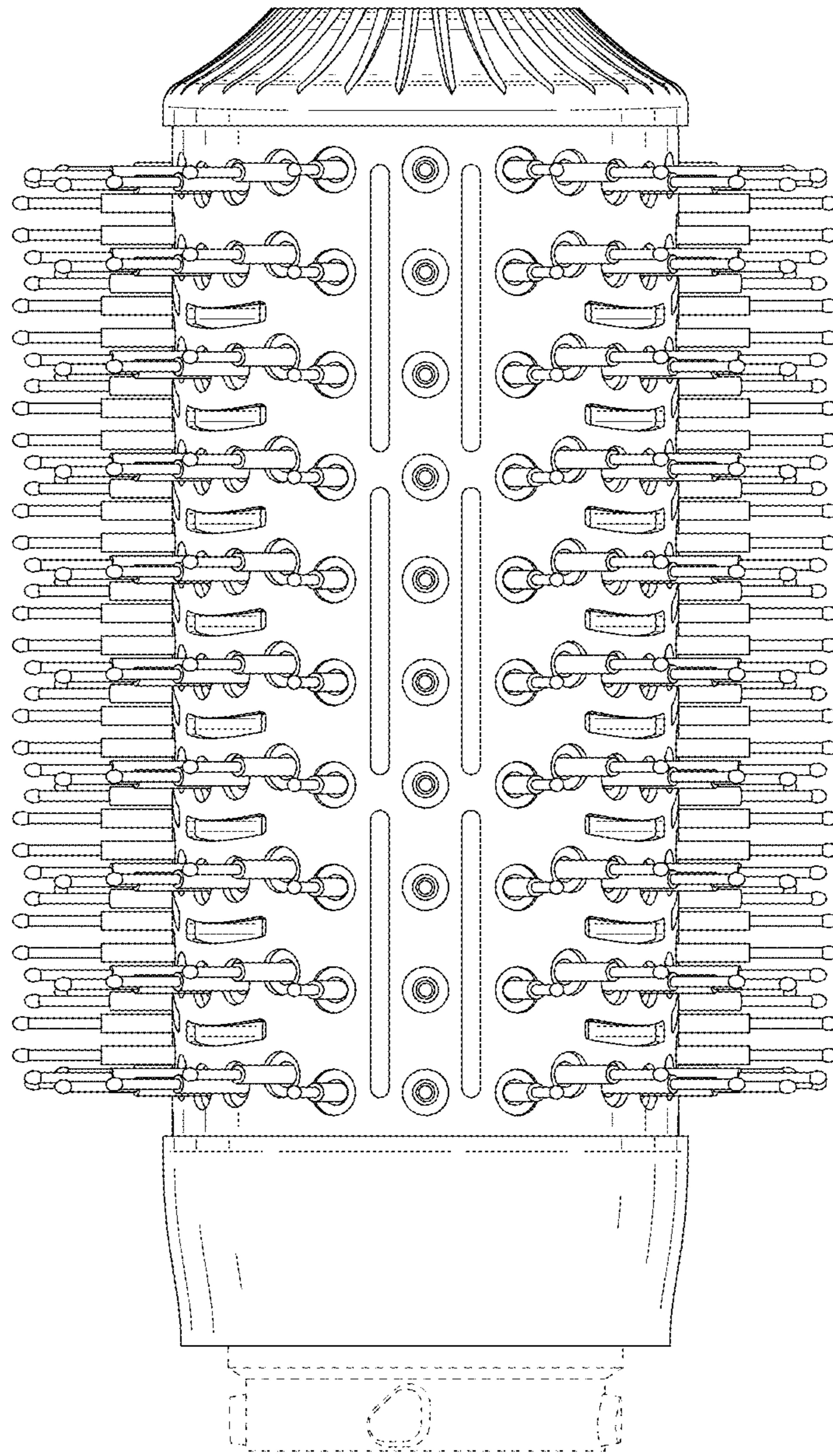


FIG. 15

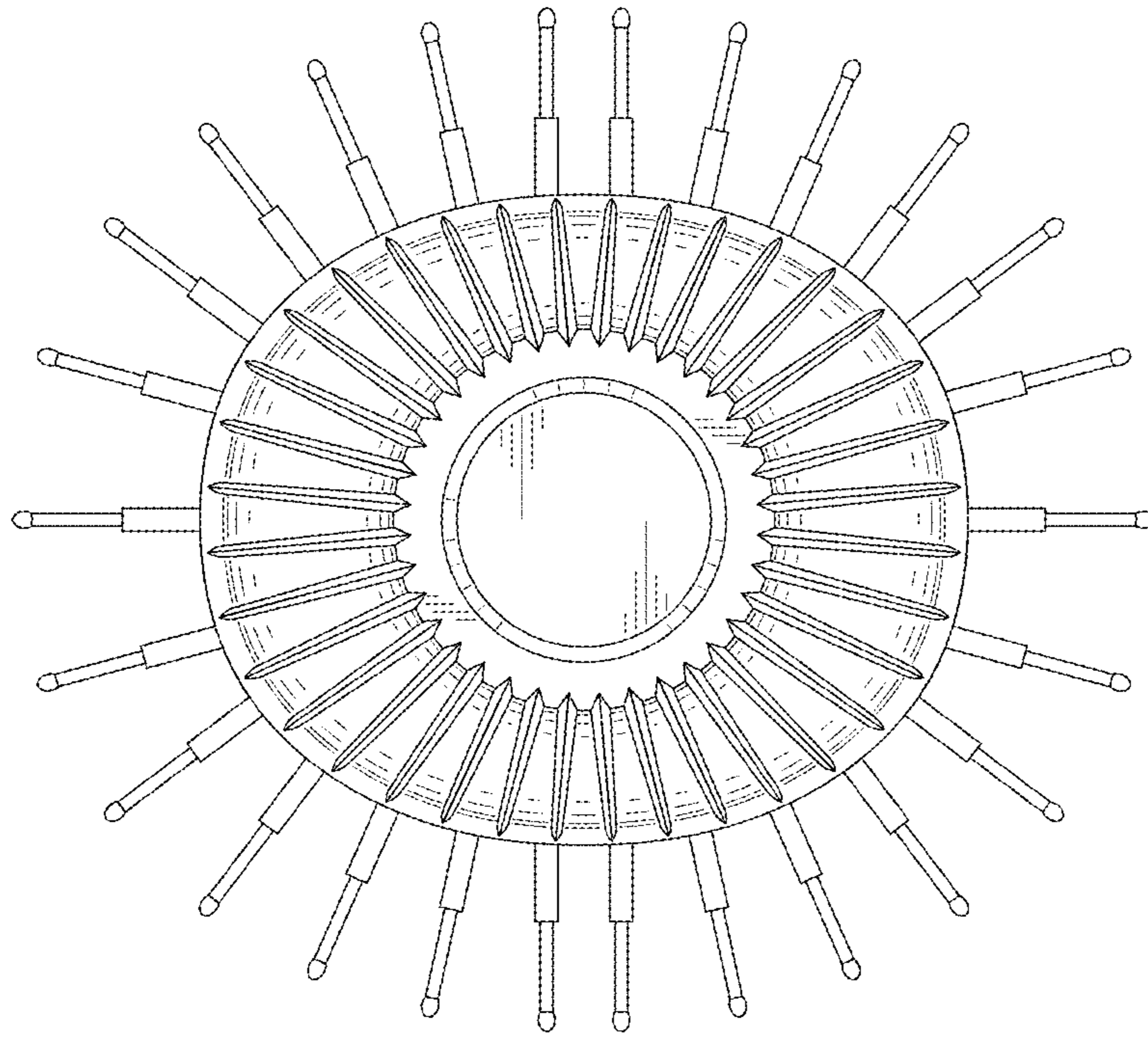


FIG. 16

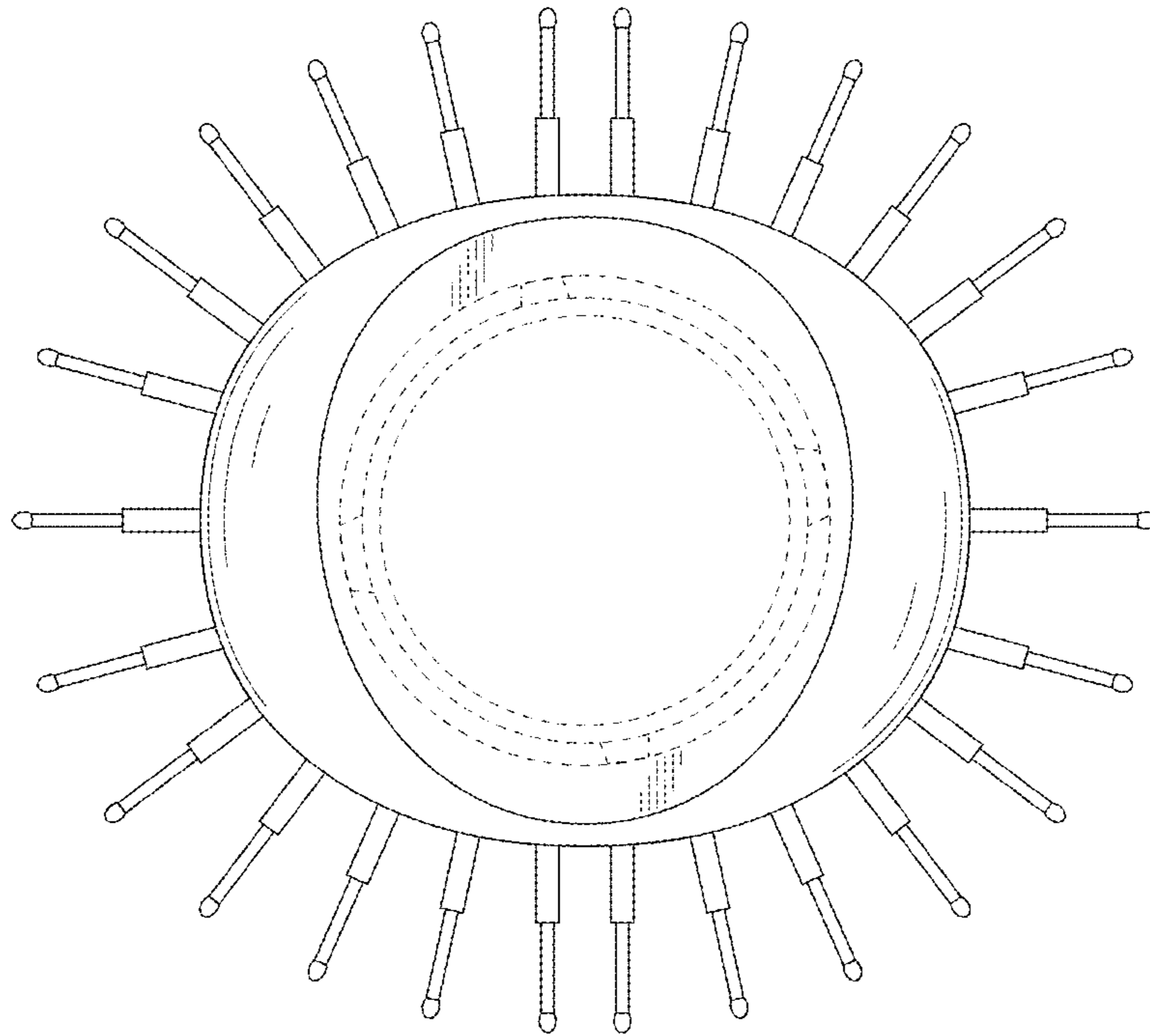


FIG. 17

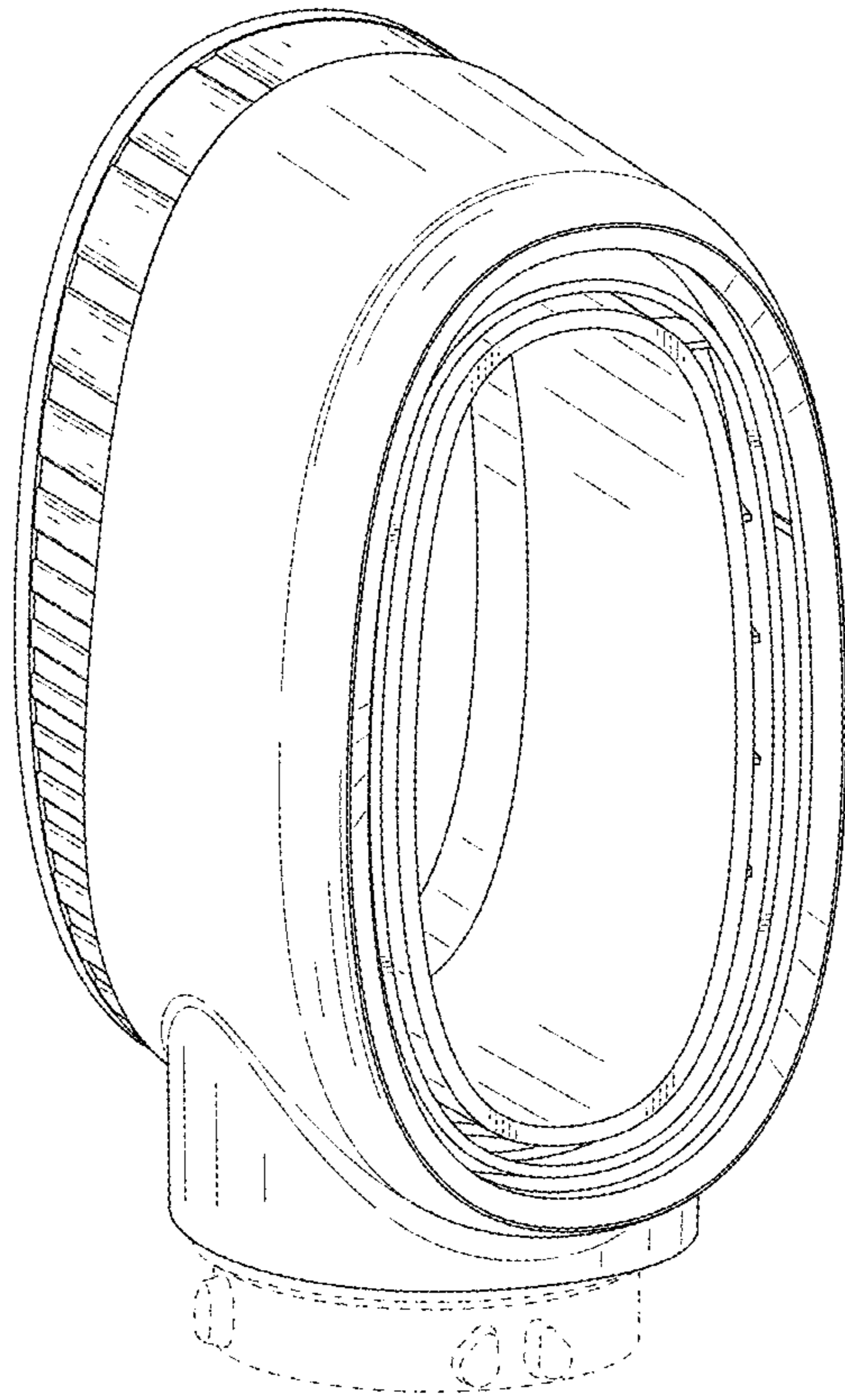


FIG. 18

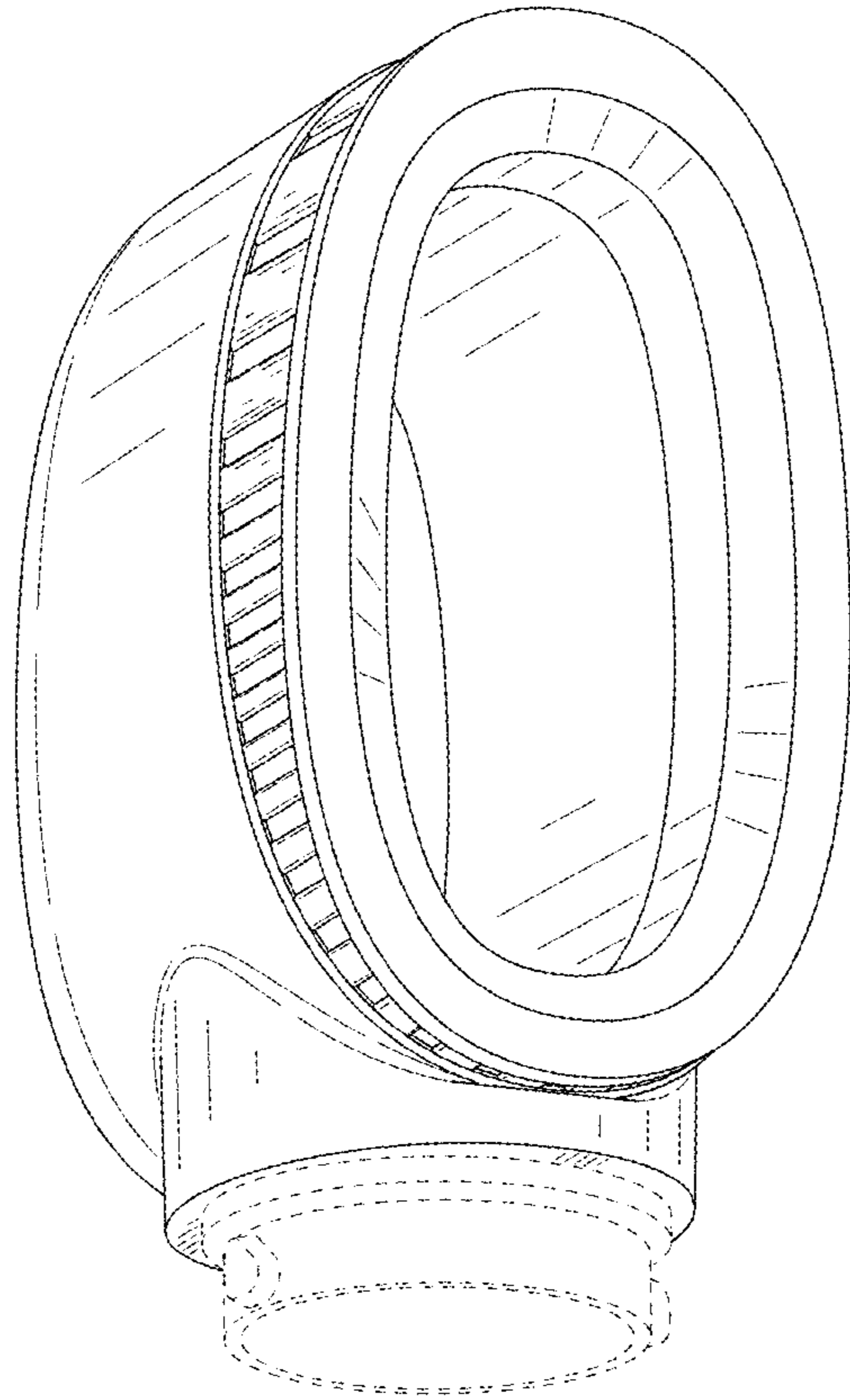


FIG. 19

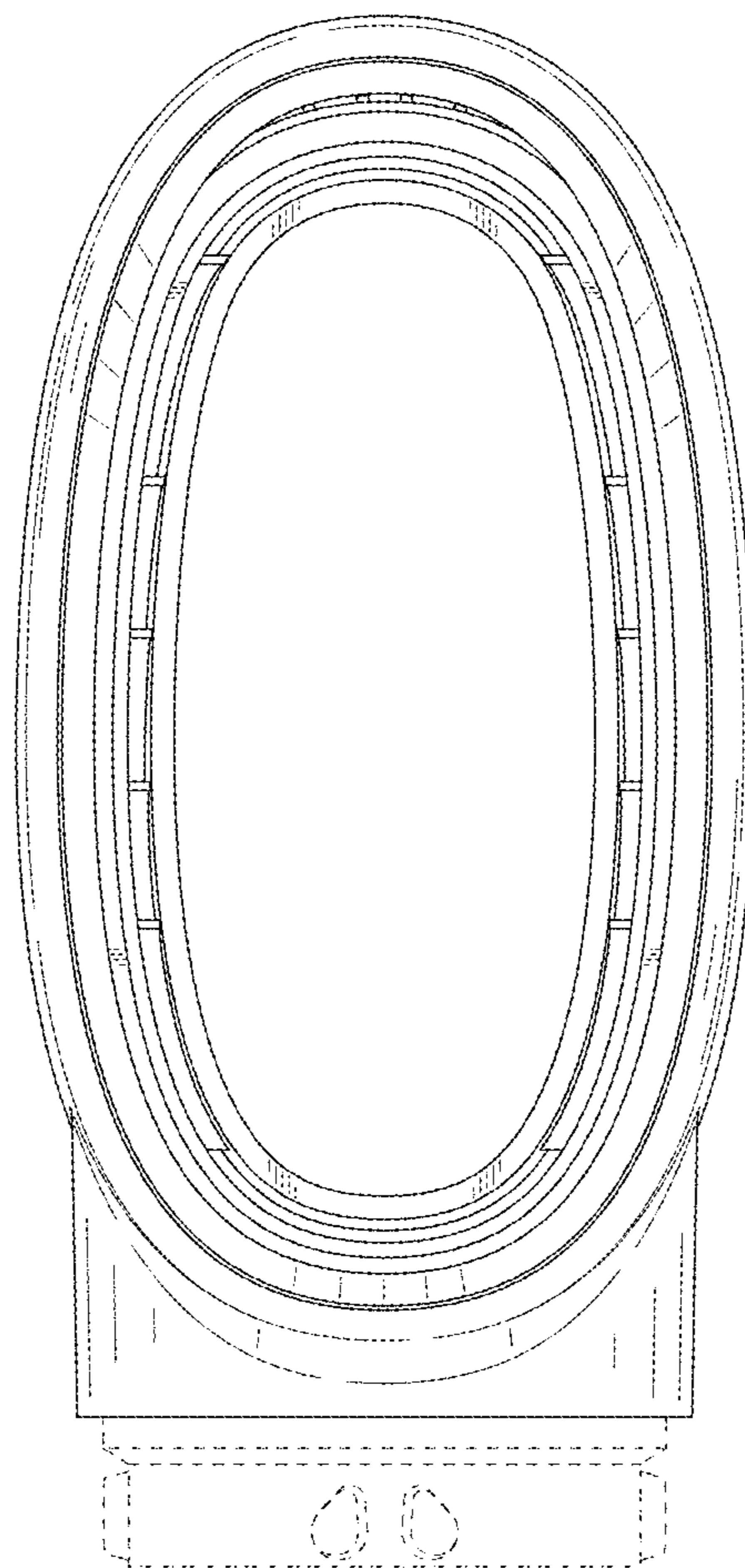


FIG. 20

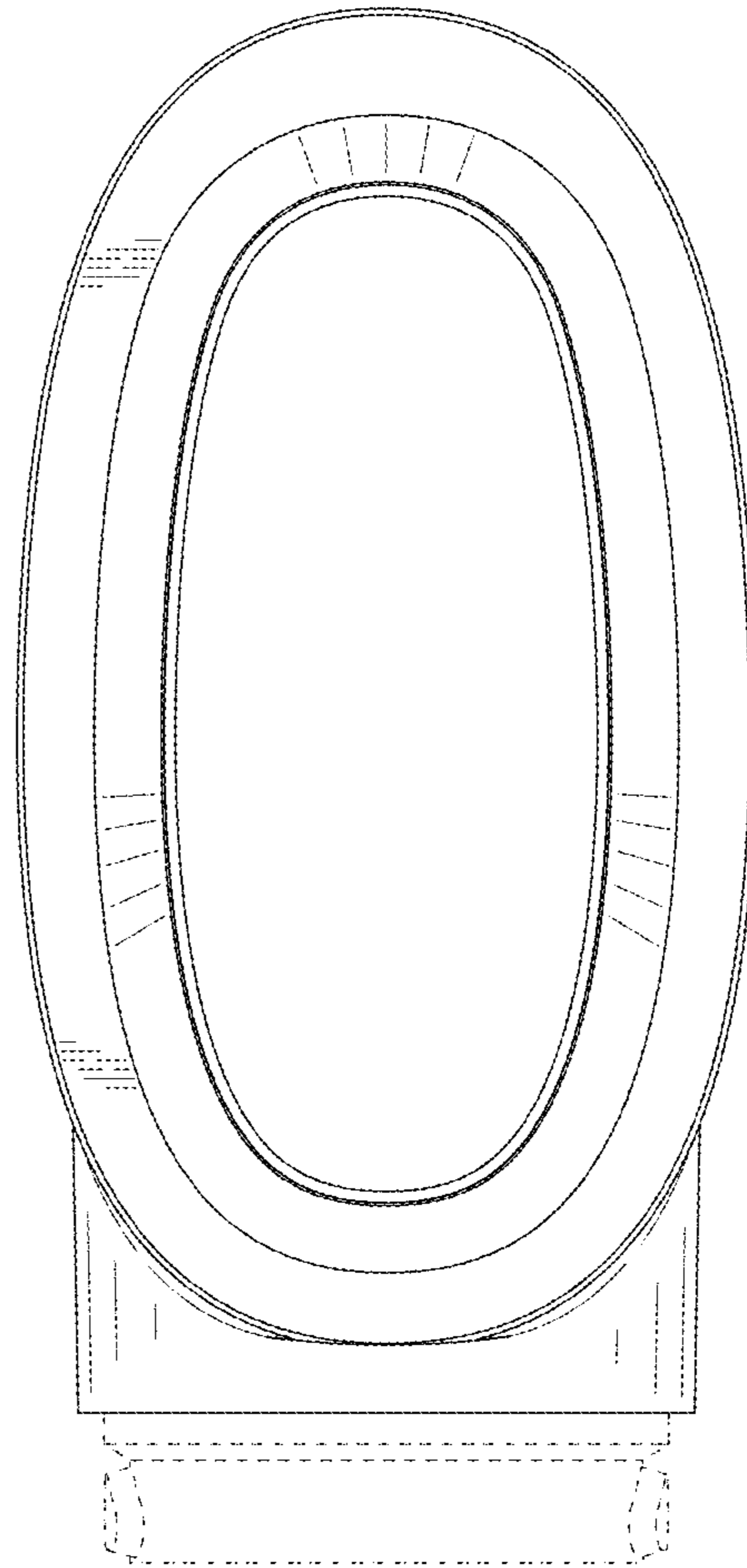


FIG. 21

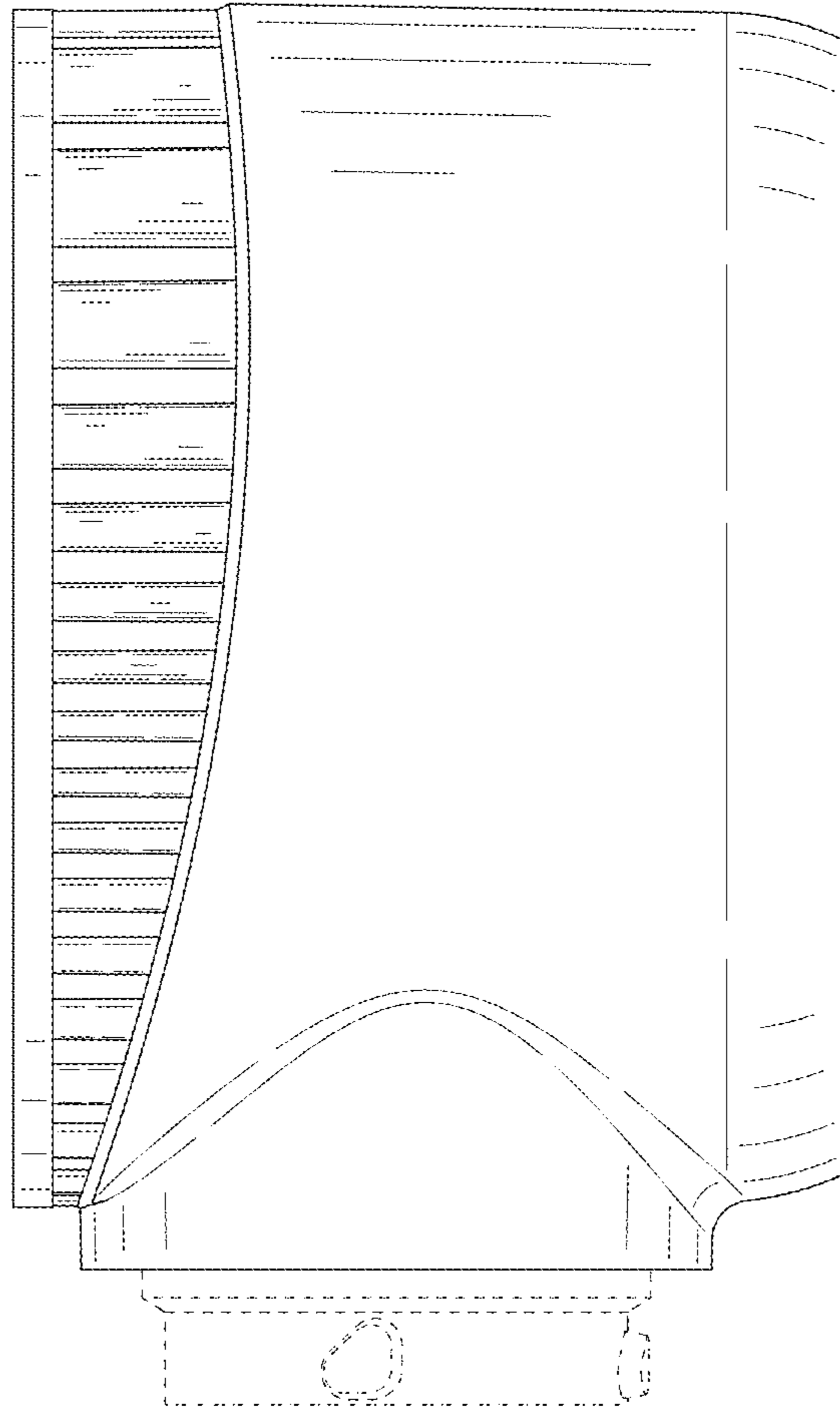


FIG. 22



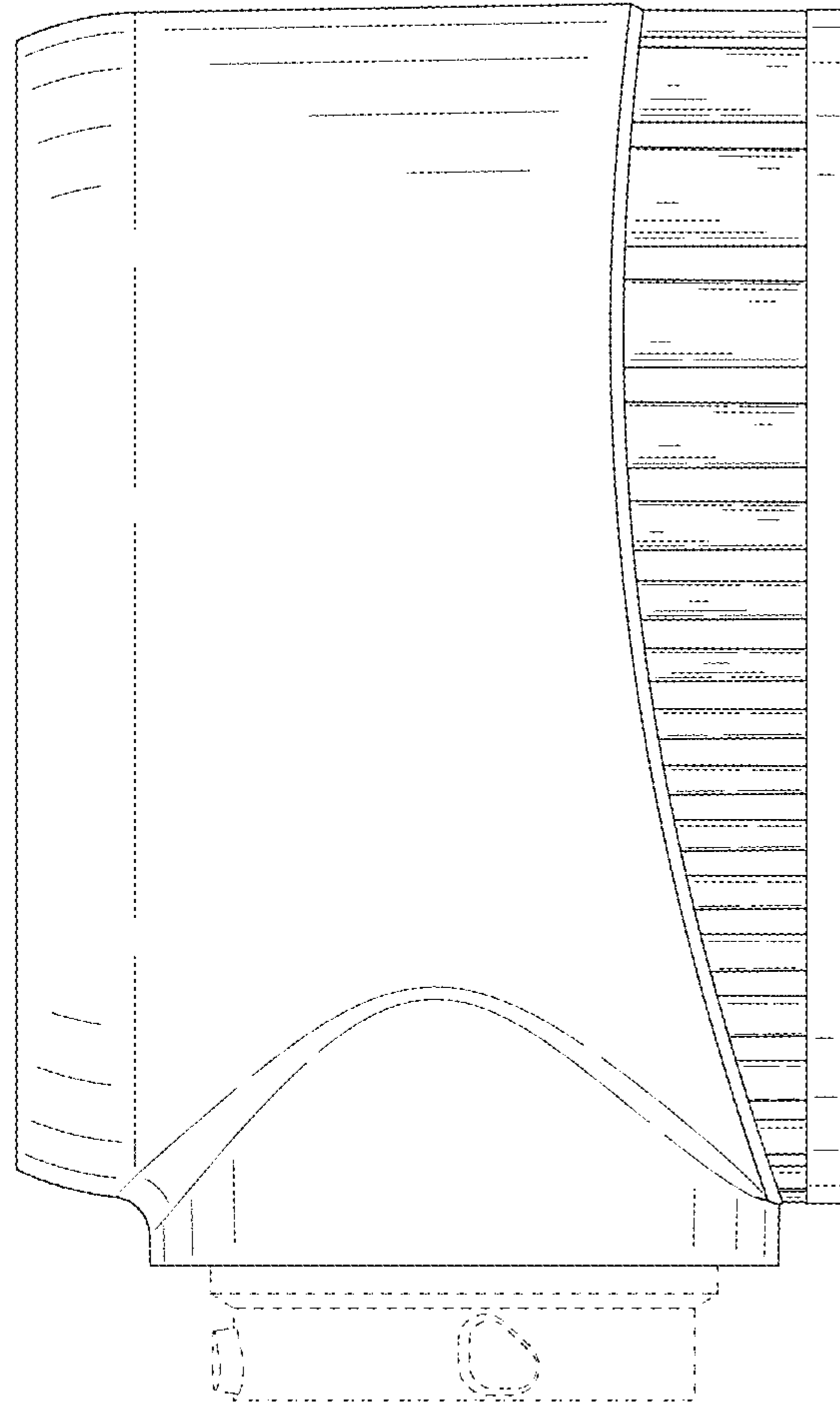


FIG. 23

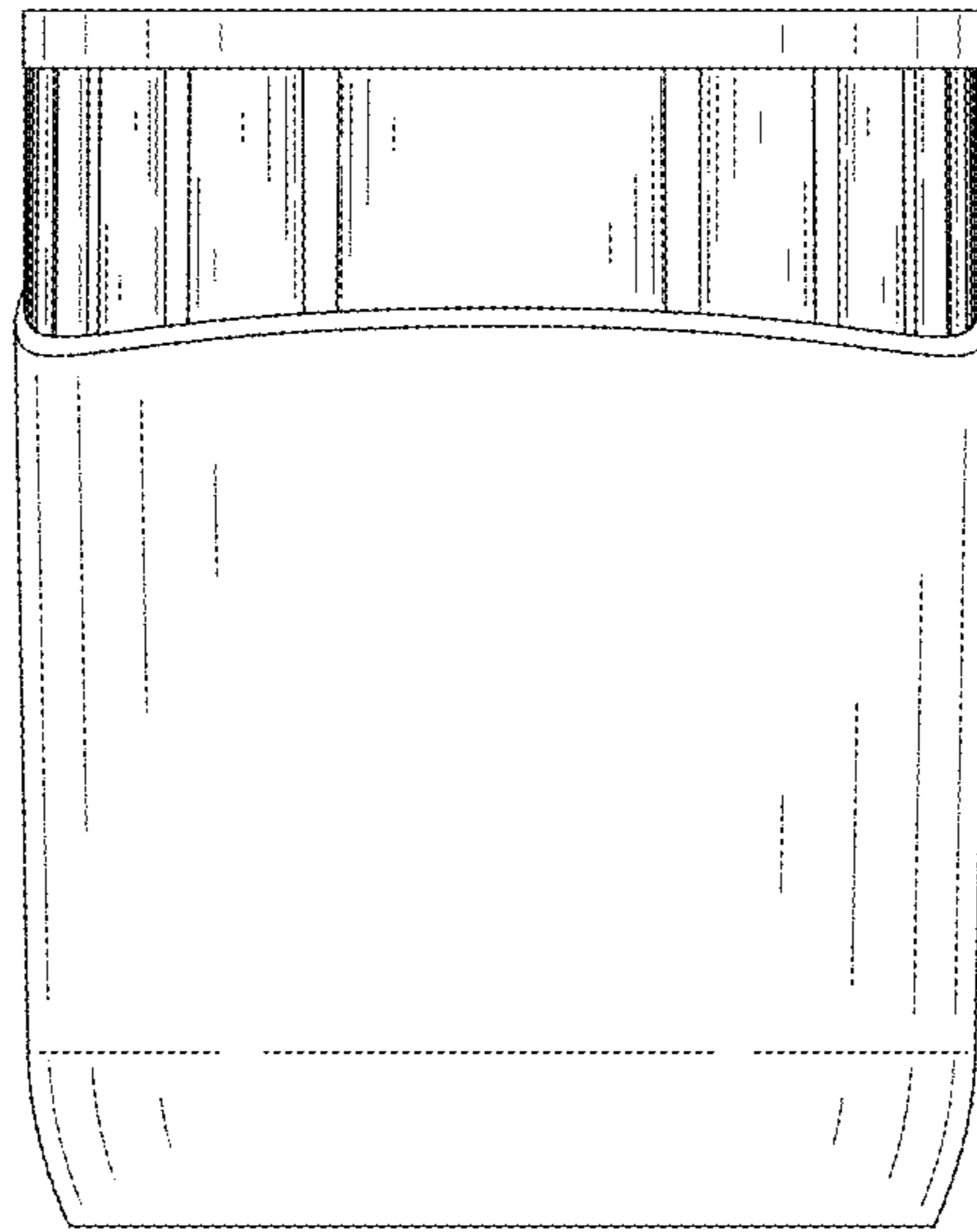


FIG. 24

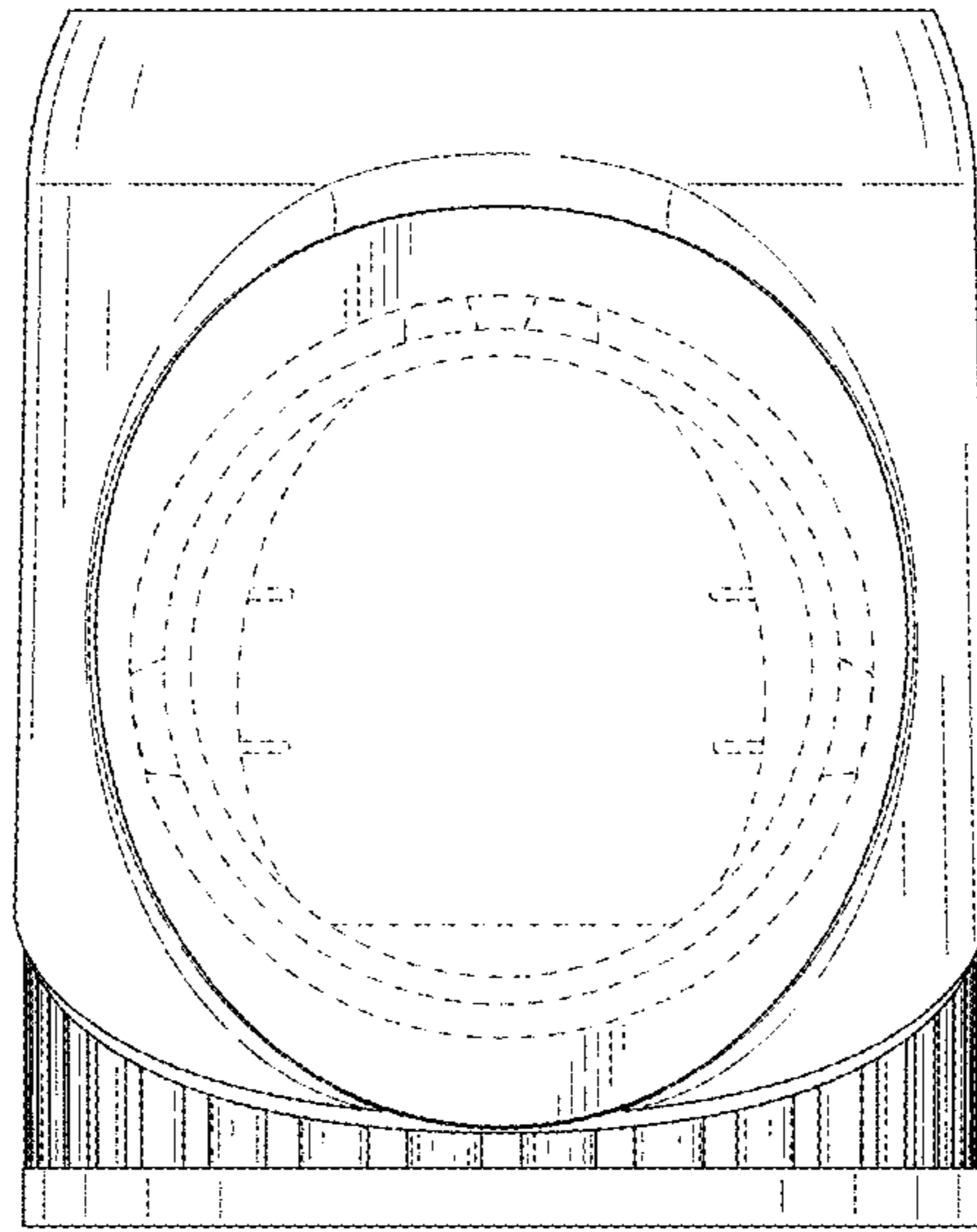


FIG. 25

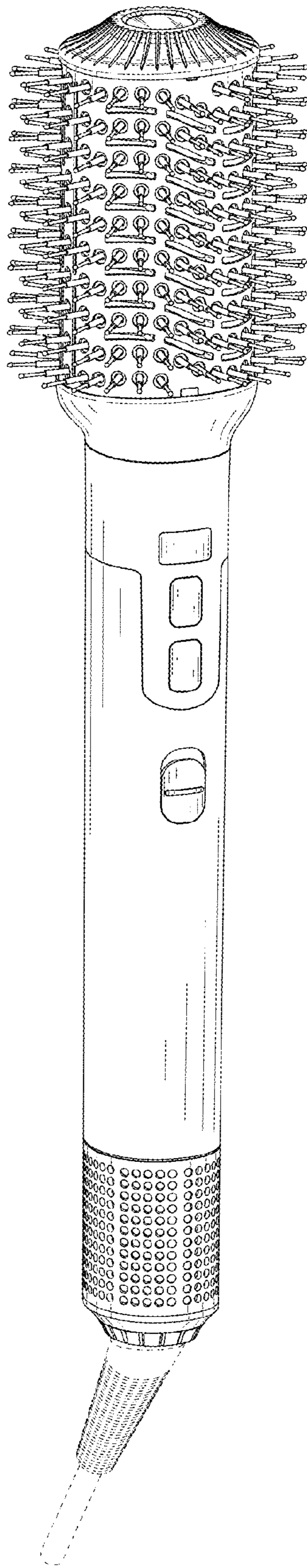


FIG. 26

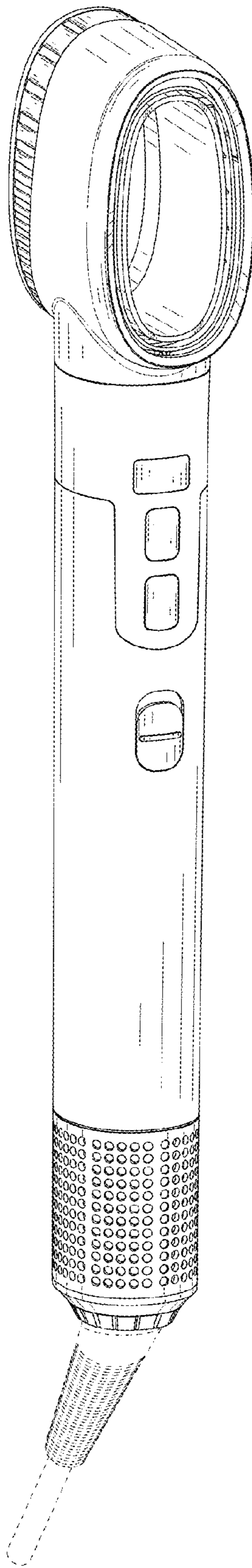


FIG. 27

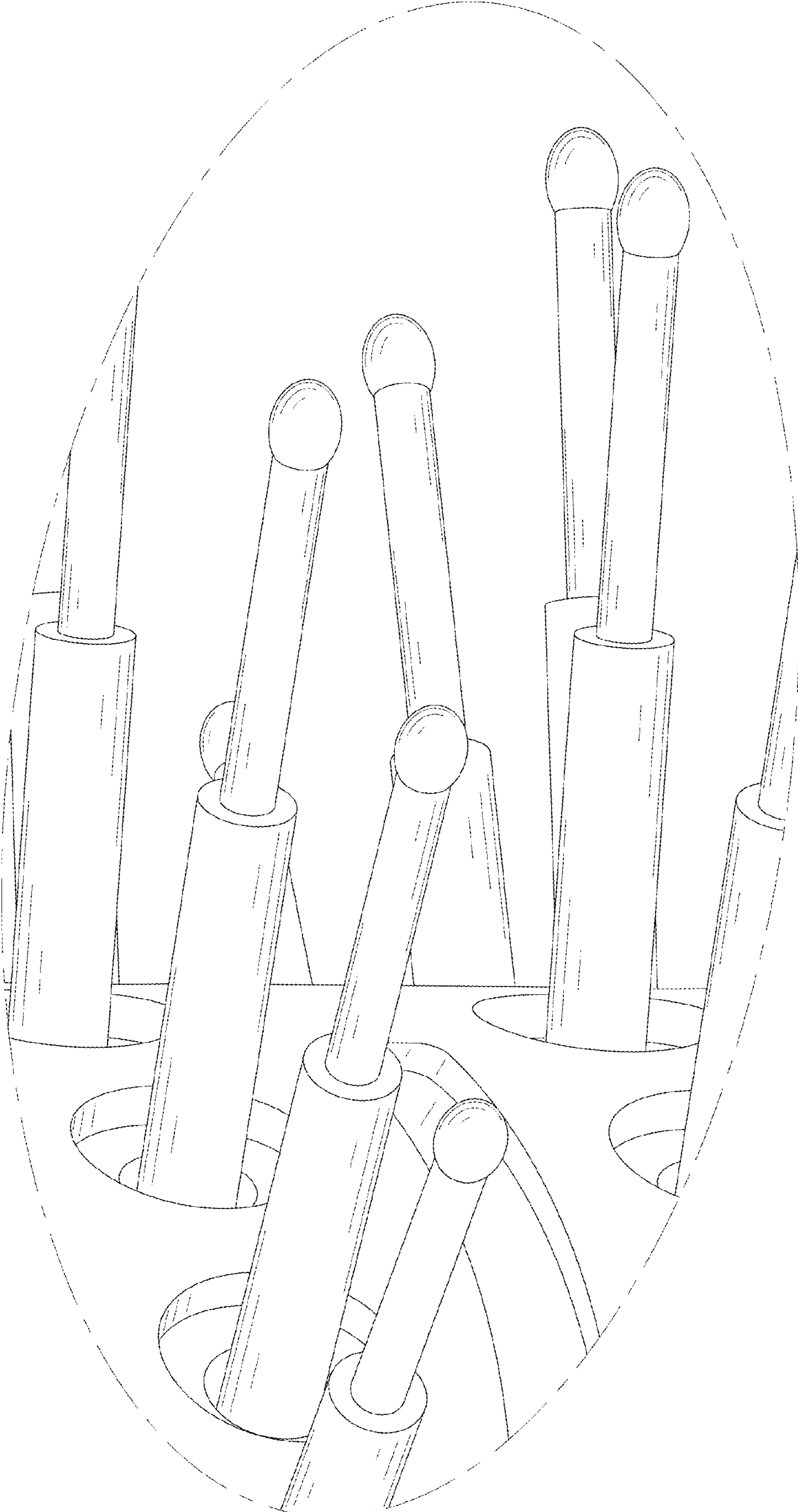


FIG. 28