



US00D965876S

(12) **United States Design Patent**
Zhang

(10) **Patent No.:** **US D965,876 S**
(45) **Date of Patent:** **** Oct. 4, 2022**

(54) **HAIR CURLER**

(71) Applicant: **SHENZHEN BAISHIDE
INNOVATION TECHNOLOGY CO.,
LTD.**, Shenzhen (CN)

(72) Inventor: **Yan Zhang**, Shenzhen (CN)

(73) Assignee: **SHENZHEN BAISHIDE
INNOVATION TECHNOLOGY CO.,
LTD.**, Shenzhen (CN)

(**) Term: **15 Years**

(21) Appl. No.: **29/787,607**

(22) Filed: **Jun. 8, 2021**

(51) **LOC (13) Cl.** **28-03**

(52) **U.S. Cl.**
USPC **D28/35**

(58) **Field of Classification Search**
USPC **D28/35, 37**

(Continued)

(56) **References Cited**

U.S. PATENT DOCUMENTS

D646,023 S * 9/2011 Kim D28/35
D765,910 S * 9/2016 Bermudez D28/35

(Continued)

FOREIGN PATENT DOCUMENTS

CN 113243645 A * 8/2021

OTHER PUBLICATIONS

Beach Waver curling iron wand by Bestope, www.amazon.com,
reviewed as early as Nov. 2020, 1 page (Year: 2020).*

Primary Examiner — Jennifer Rivard

(57) **CLAIM**

The ornamental design for a hair curler, as shown and described.

DESCRIPTION

FIG. 1 is a perspective view of a first hair curler head of a hair curler, shown separately for ease of illustration; FIG. 2 is another perspective view thereof; FIG. 3 is a front elevational view thereof; FIG. 4 is a rear elevational view thereof; FIG. 5 is a left side elevational view thereof; FIG. 6 is a right side elevational view thereof; FIG. 7 is a top plan view thereof; FIG. 8 is a bottom plan view thereof; FIG. 9 is a perspective view of a second hair curler head of the hair curler, shown separately for ease of illustration; FIG. 10 is another perspective view thereof; FIG. 11 is a front elevational view thereof; FIG. 12 is a rear elevational view thereof; FIG. 13 is a left side elevational view thereof; FIG. 14 is a right side elevational view thereof; FIG. 15 is a top plan view thereof; FIG. 16 is a bottom plan view thereof; FIG. 17 is a perspective view of a third hair curler head of the hair curler, shown separately for ease of illustration; FIG. 18 is another perspective view thereof; FIG. 19 is a front elevational view thereof; FIG. 20 is a rear elevational view thereof; FIG. 21 is a left side elevational view thereof; FIG. 22 is a right side elevational view thereof; FIG. 23 is a top plan view thereof; FIG. 24 is a bottom plan view thereof; FIG. 25 is a perspective view of a fourth hair curler head of the hair curler shown separately for ease of illustration; FIG. 26 is another perspective view thereof; FIG. 27 is a front elevational view thereof; FIG. 28 is a rear elevational view thereof;

(Continued)

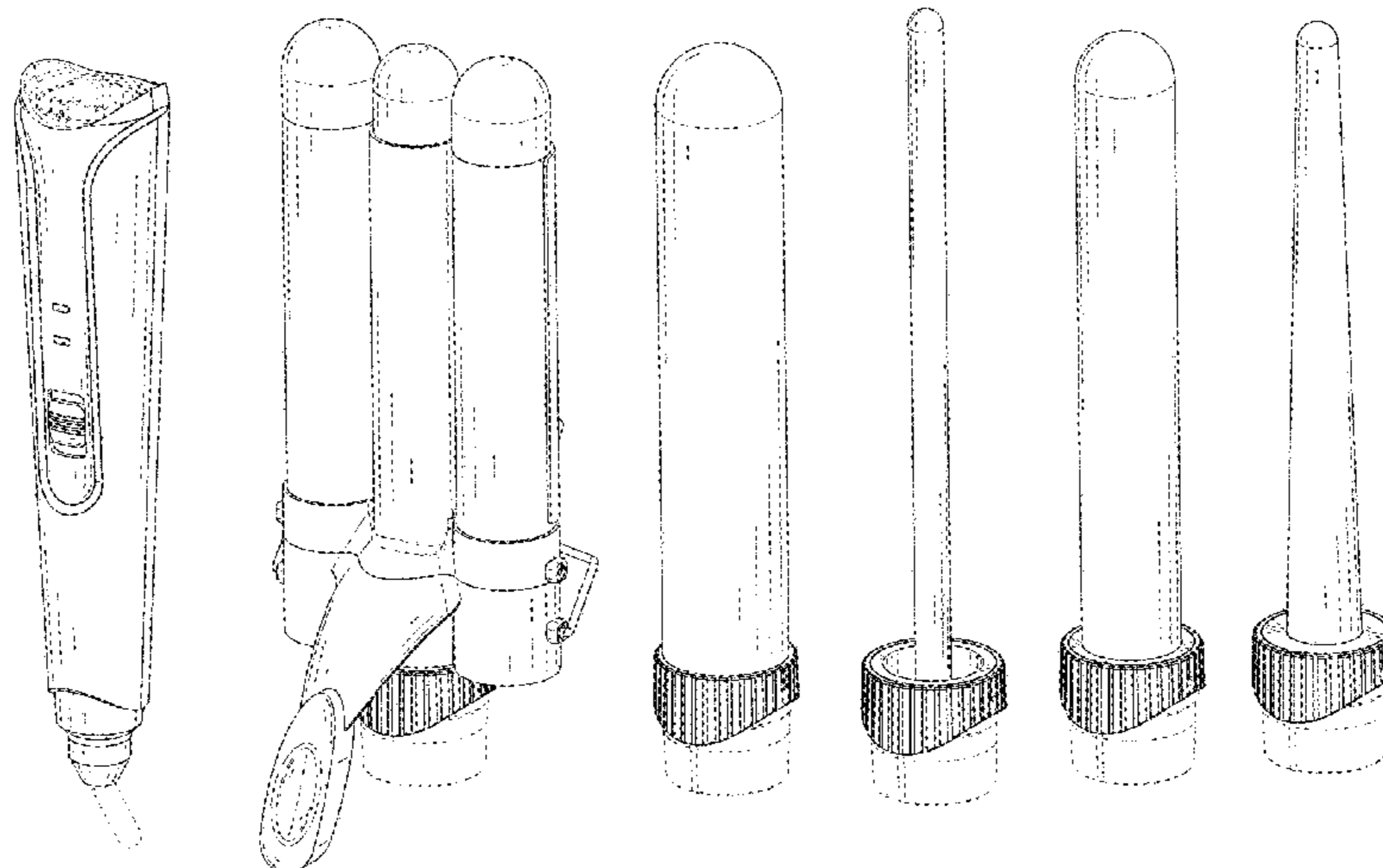


FIG. 29 is a left side elevational view thereof;
 FIG. 30 is a right side elevational view thereof;
 FIG. 31 is a top plan view thereof;
 FIG. 32 is a bottom plan view thereof;
 FIG. 33 is a perspective view of a fifth hair curler head combined with a handle of the hair curler shown in a configuration of use;
 FIG. 34 is another perspective view thereof;
 FIG. 35 is a front elevational view thereof;
 FIG. 36 is a rear elevational view thereof;
 FIG. 37 is a left side elevational view thereof;
 FIG. 38 is a right side elevational view thereof;
 FIG. 39 is a top plan view thereof;
 FIG. 40 is a bottom plan view thereof;
 FIG. 41 a perspective view of the first hair curler head combined with the handle of the hair curler shown in a configuration of use;
 FIG. 42 a perspective view of the second hair curler head combined with the handle of the hair curler shown in a configuration of use;
 FIG. 43 a perspective view of the third hair curler head combined with the handle of the hair curler shown in a configuration of use;
 FIG. 44 a perspective view of the fourth hair curler head combined with the handle of the hair curler shown in a configuration of use;
 FIG. 45 is an exploded perspective view of the hair curler;
 FIG. 46 is an enlarged view of portion 46 shown in FIG. 34; and,
 FIG. 47 is an enlarged view of portion 47 shown in FIG. 40.

The broken lines in the drawings depict portions of the hair curler that form no part of the claimed design.

1 Claim, 47 Drawing Sheets

(58) **Field of Classification Search**

CPC ... A45D 1/00; A45D 1/04; A45D 1/28; A45D 1/06; A45D 2/40

See application file for complete search history.

(56) **References Cited**

U.S. PATENT DOCUMENTS

D872,360	S	*	1/2020	Abramov	D28/35
D886,374	S	*	6/2020	Hein	D28/35
D892,405	S		8/2020	Huang		
D901,077	S	*	11/2020	Kim	D28/35
D902,483	S		11/2020	Fan		
D908,284	S	*	1/2021	Chandra	D28/35
D939,765	S	*	12/2021	Zhang	D28/35
D942,683	S	*	2/2022	Colin	D28/35
D943,206	S	*	2/2022	Colin	D28/35
D946,210	S	*	3/2022	Xiao	D28/35
2015/0075551	A1	*	3/2015	Richmond	A45D 1/04 132/211
2017/0231353	A1	*	8/2017	Romeo	A45D 2/38 132/211
2018/0000216	A1	*	1/2018	Gonzalez	A45D 20/12
2018/0249801	A1	*	9/2018	Aizenberg	A45D 2/367
2020/0205540	A1	*	7/2020	Wong	A45D 1/12

* cited by examiner

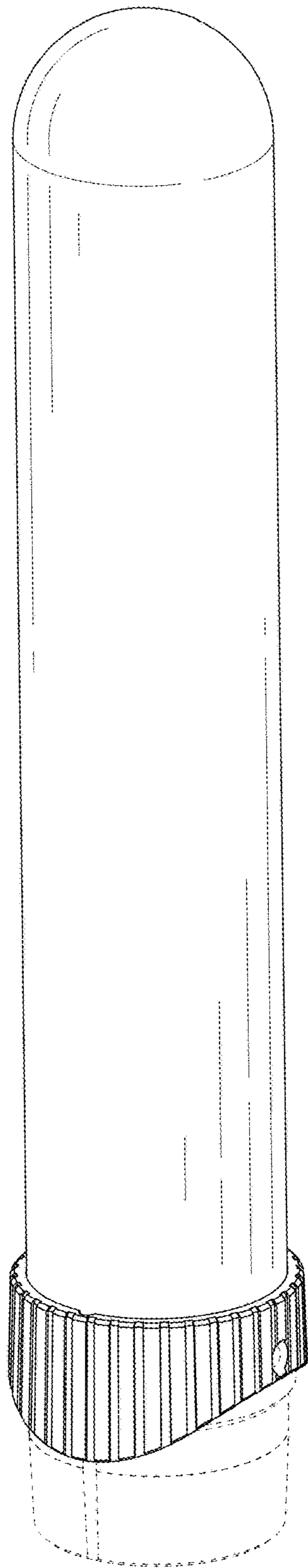


FIG. 1

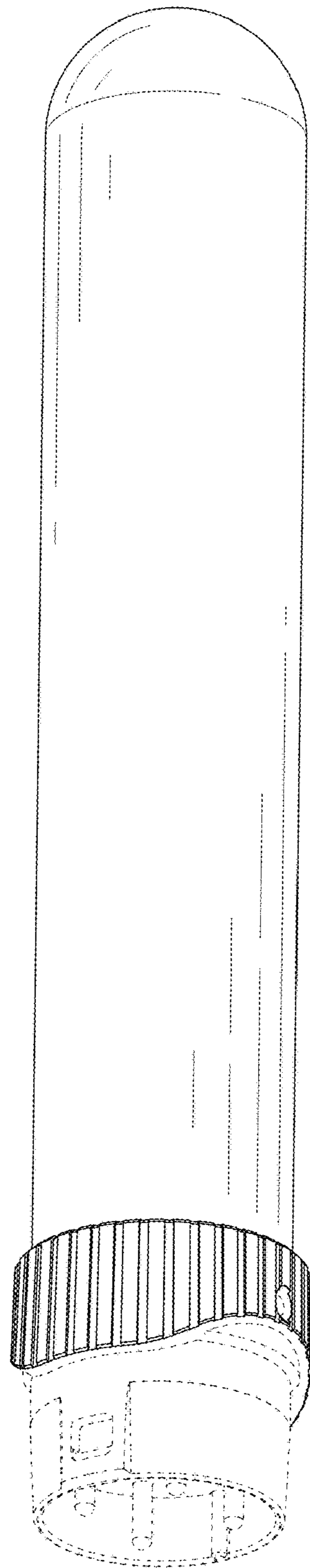


FIG. 2

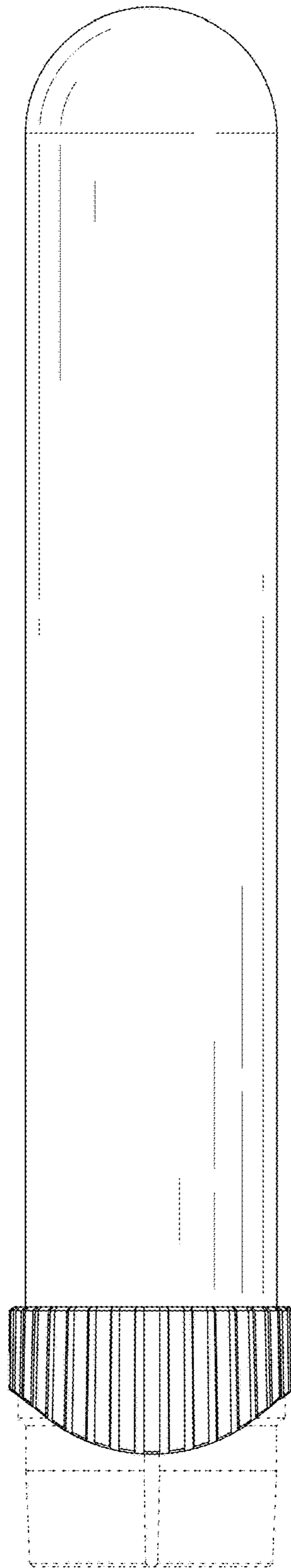


FIG. 3

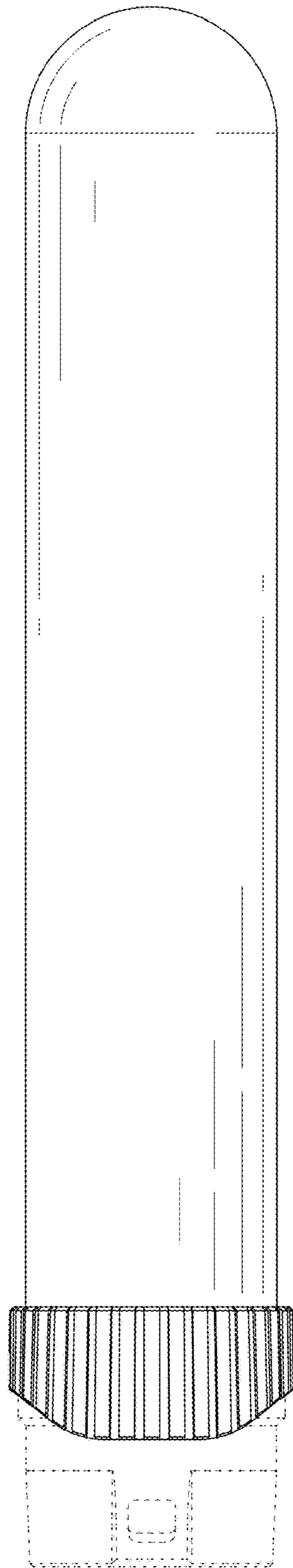


FIG. 4

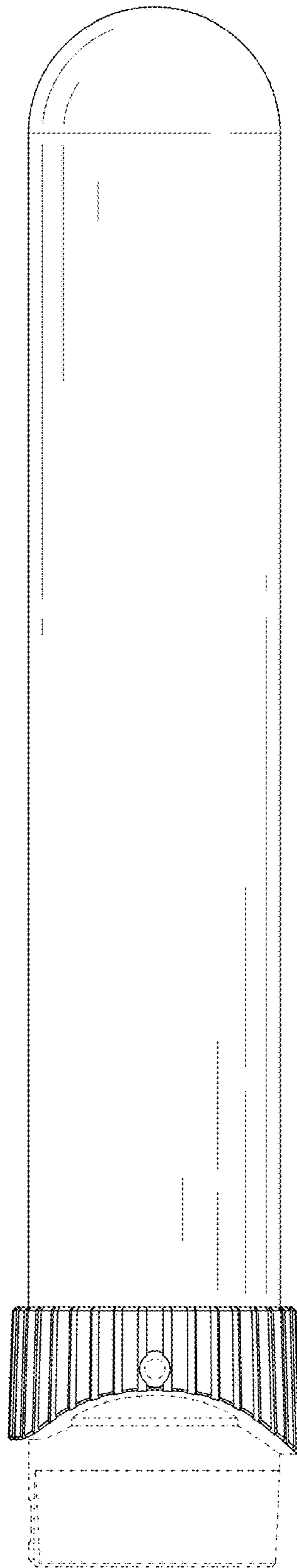


FIG. 5

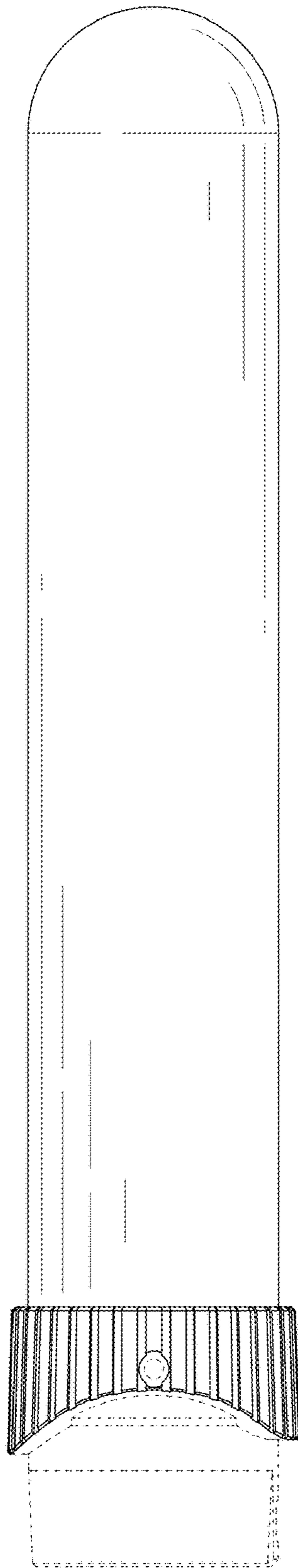


FIG. 6

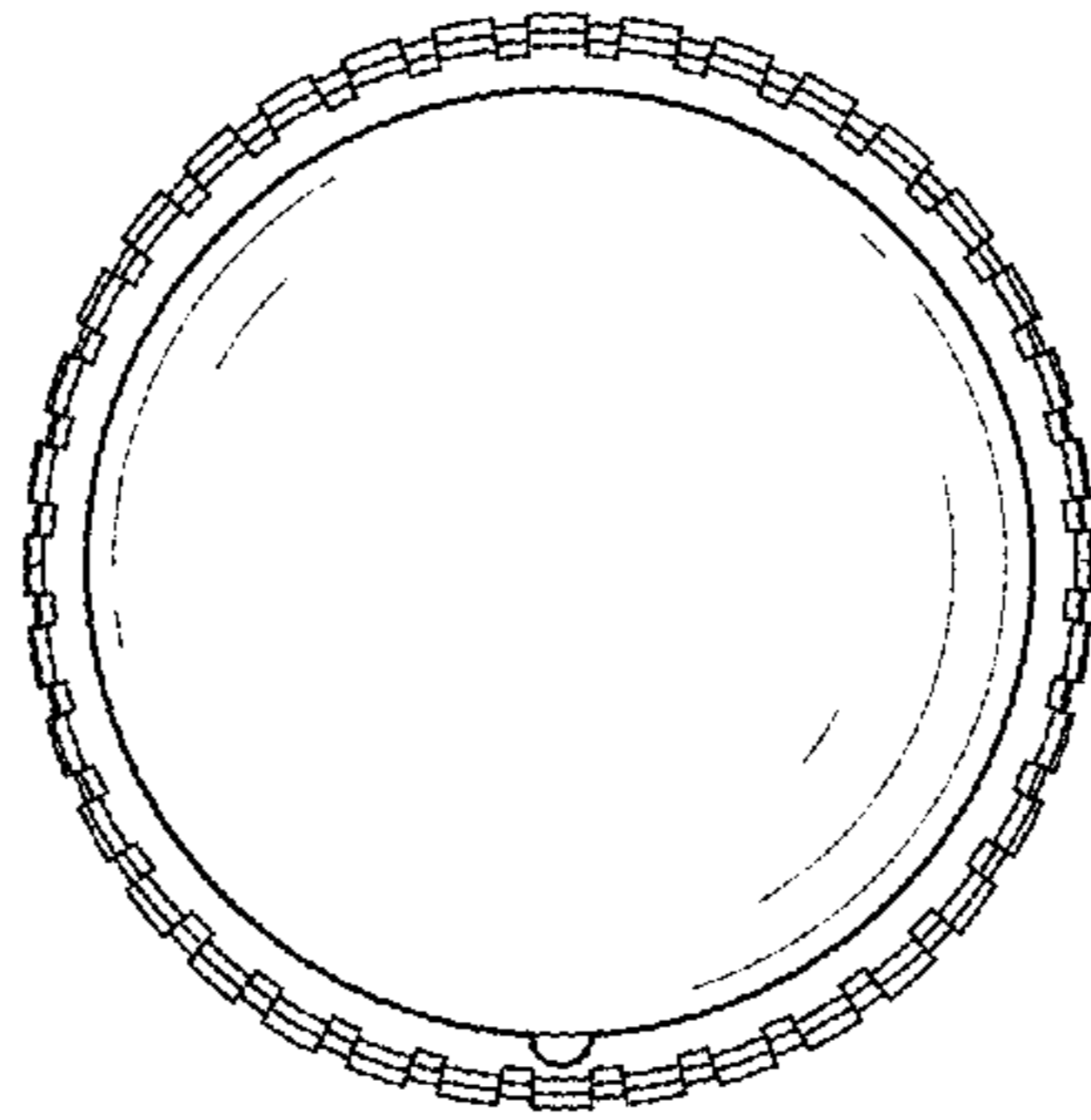


FIG. 7

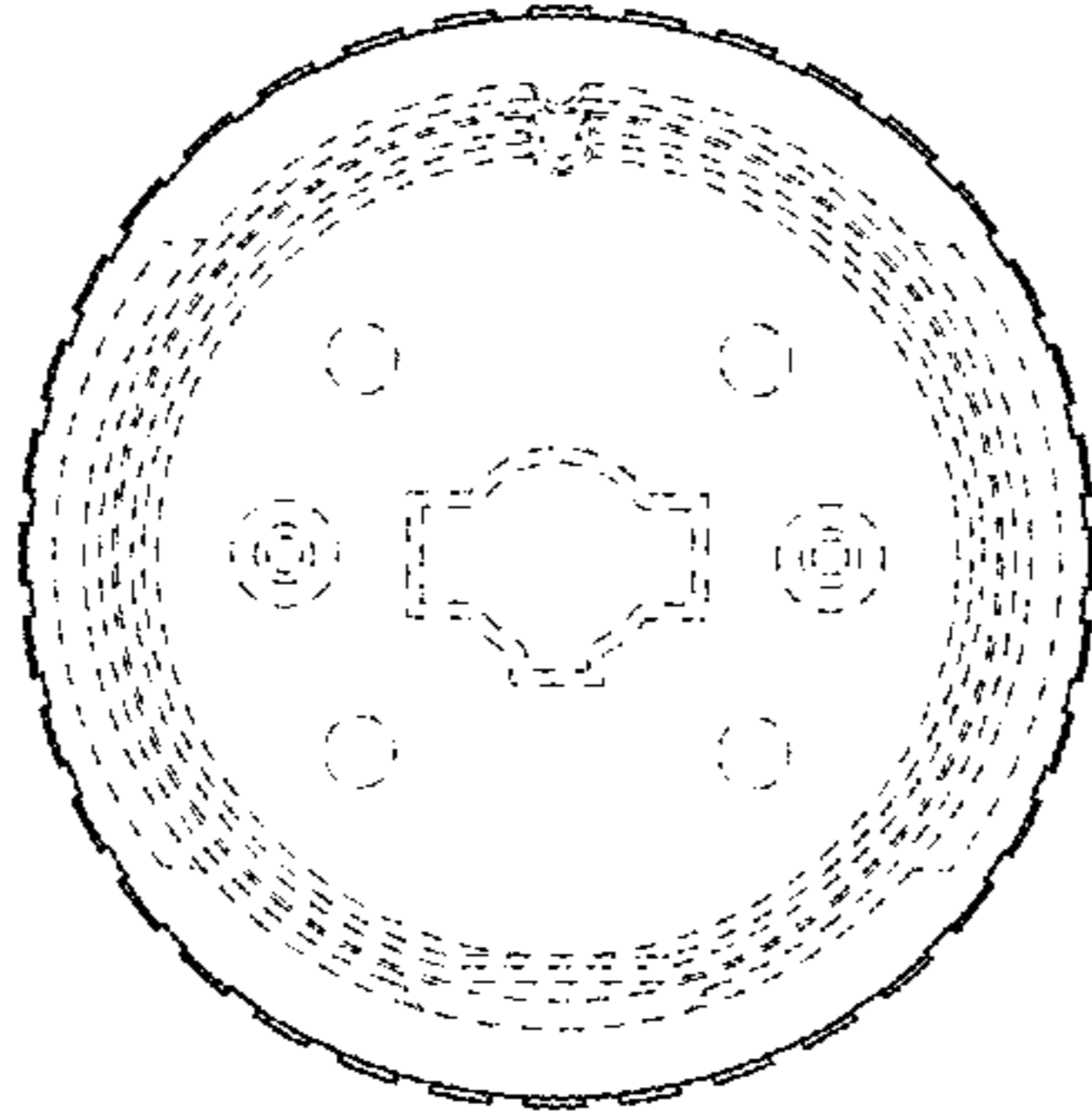


FIG. 8

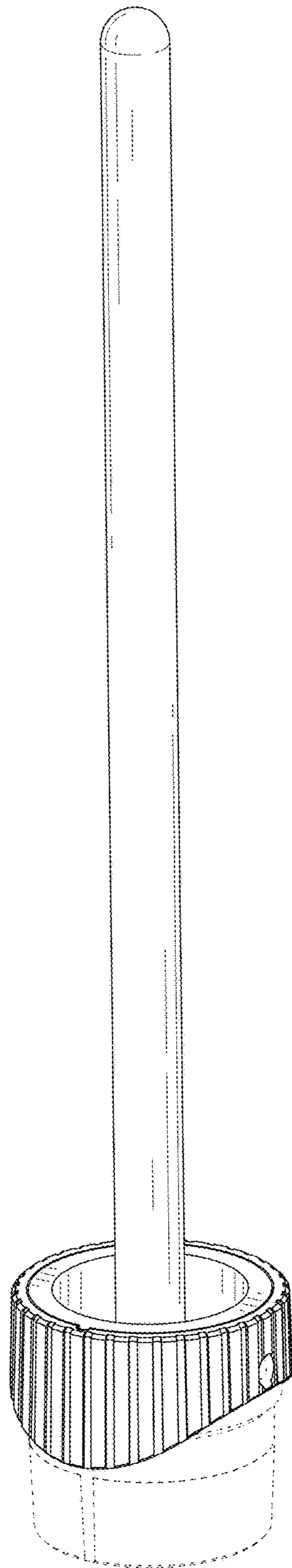


FIG. 9

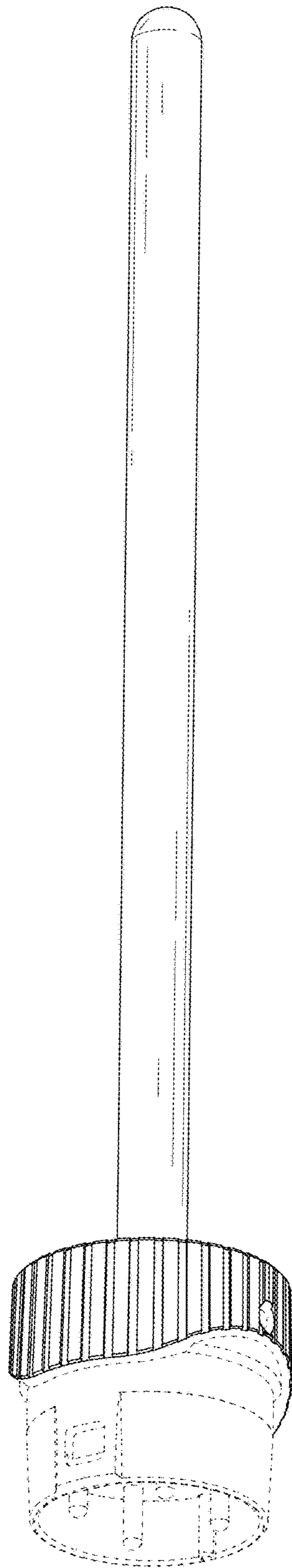


FIG. 10

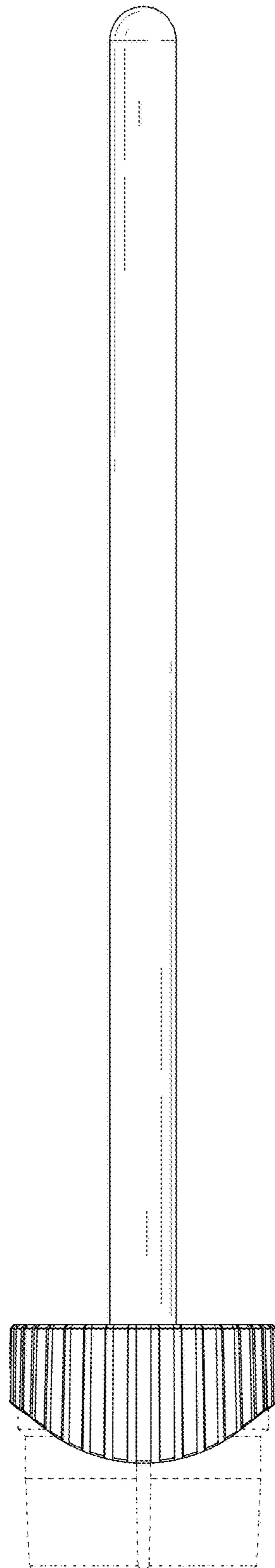


FIG. 11

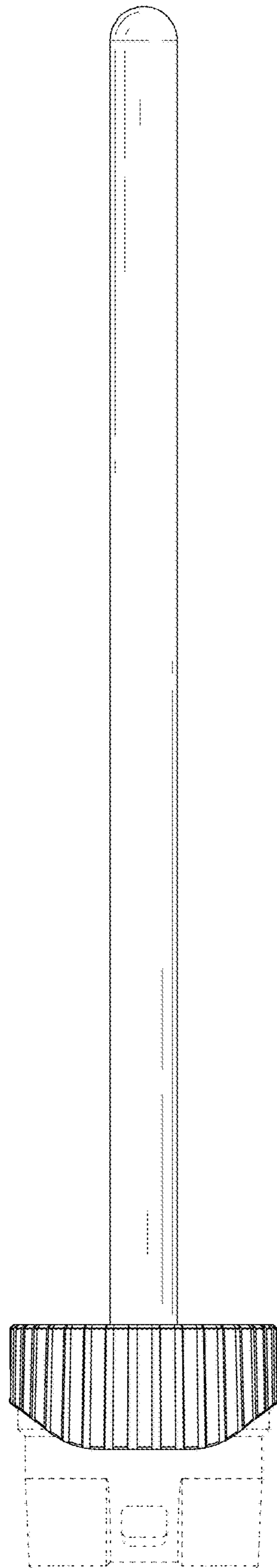


FIG. 12

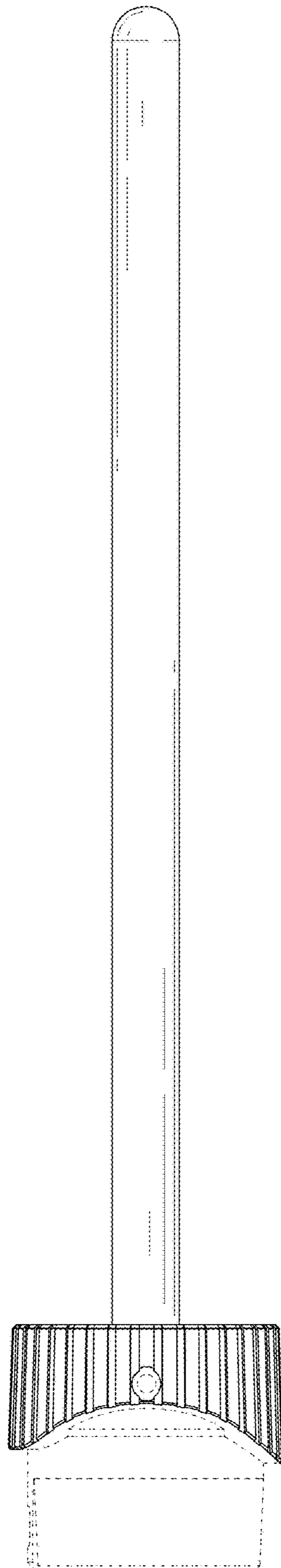


FIG. 13

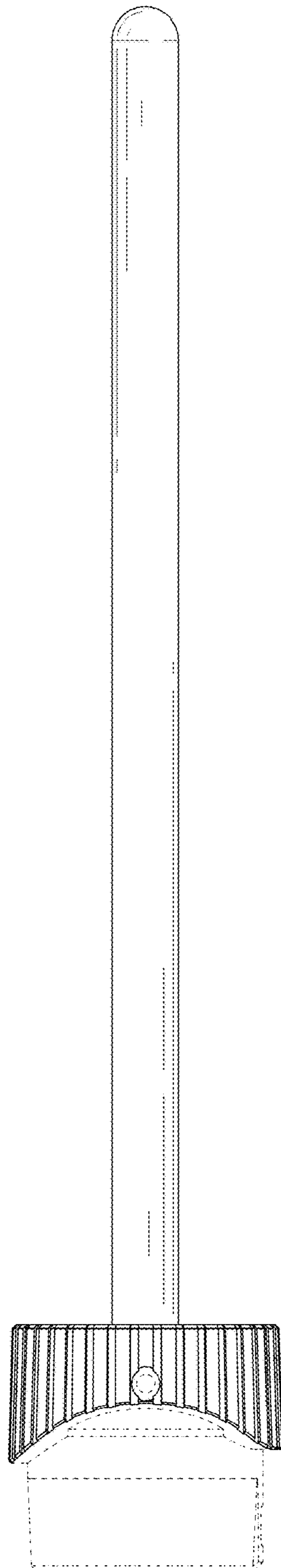


FIG. 14

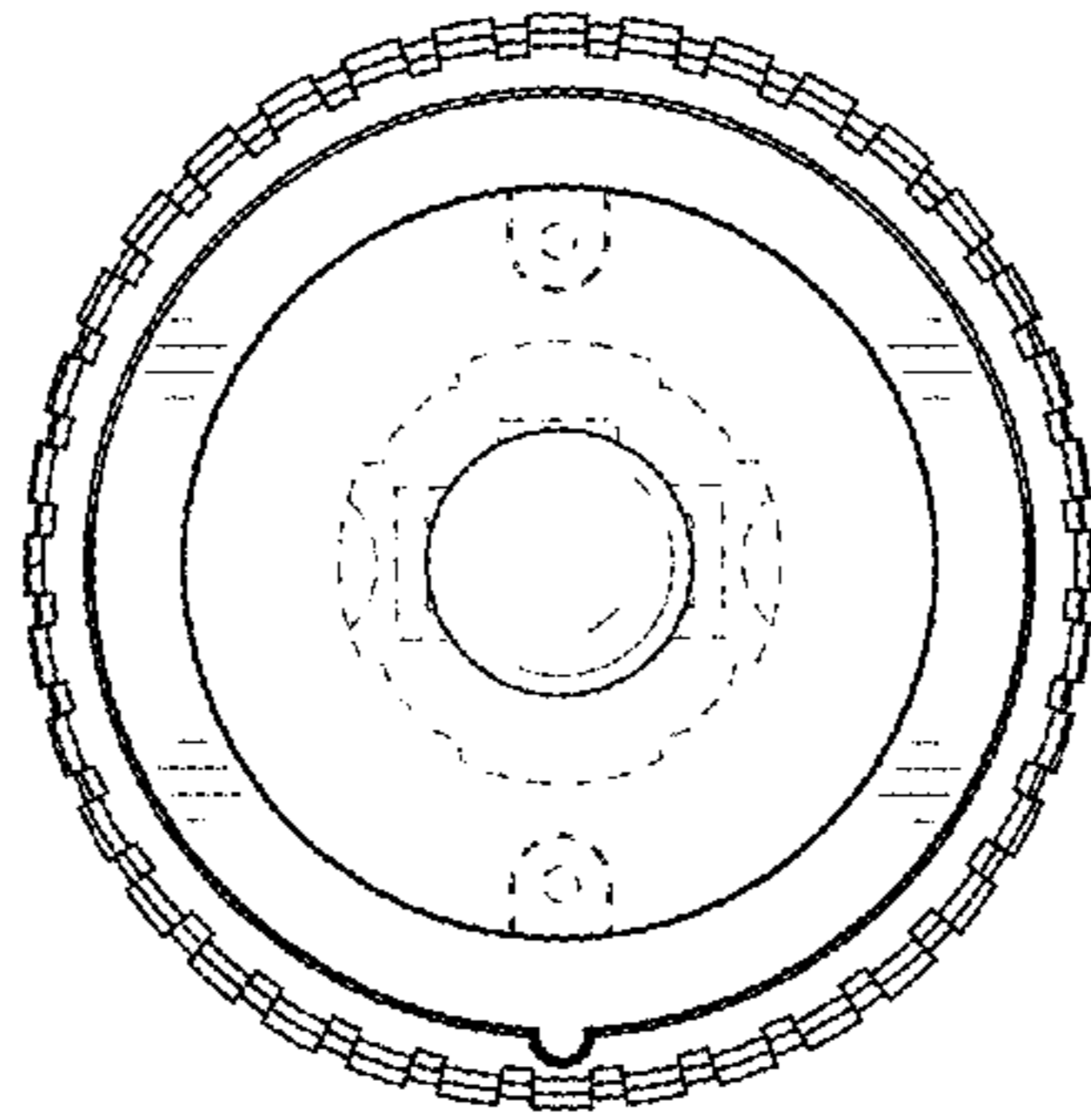


FIG. 15

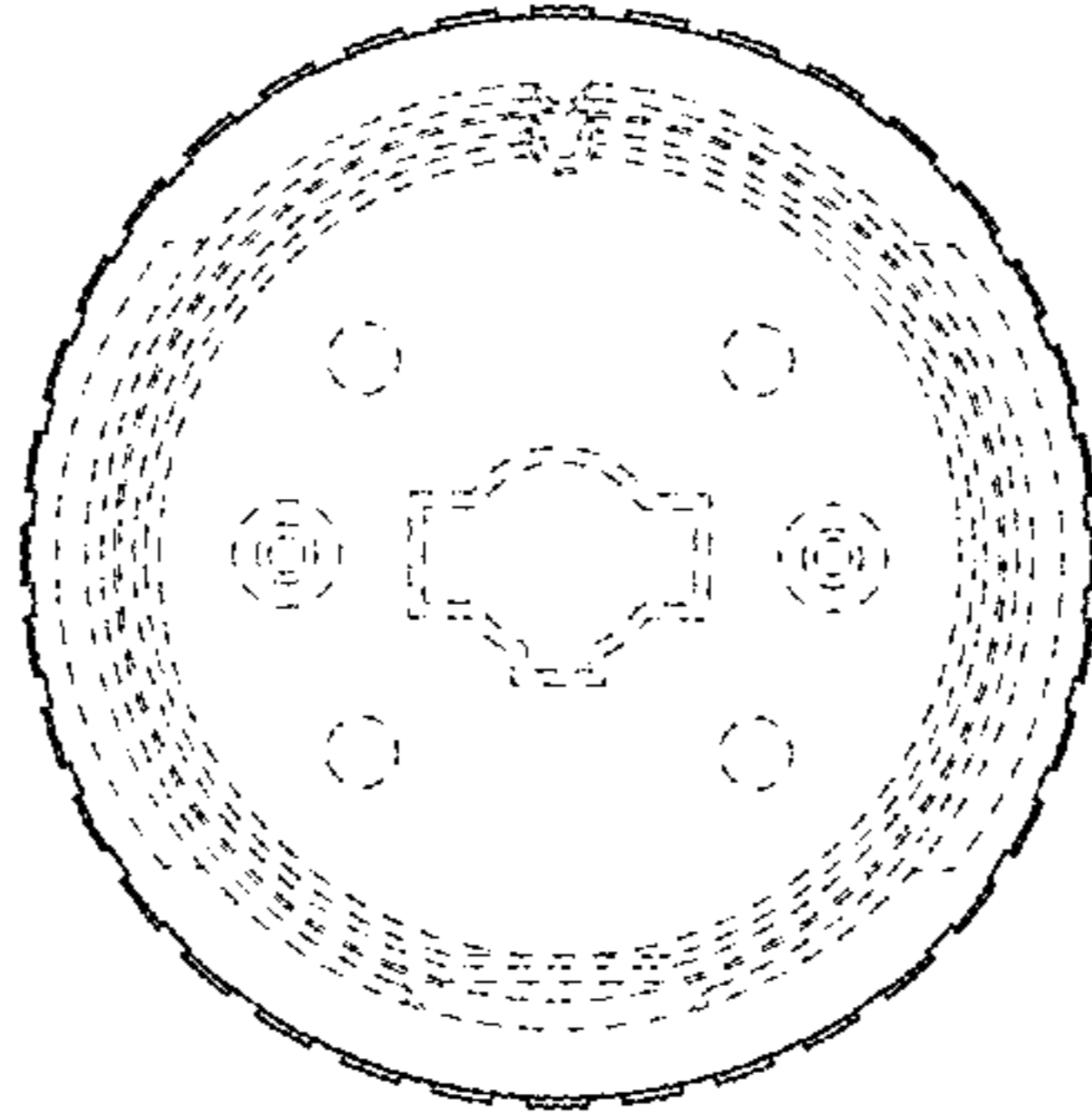


FIG. 16

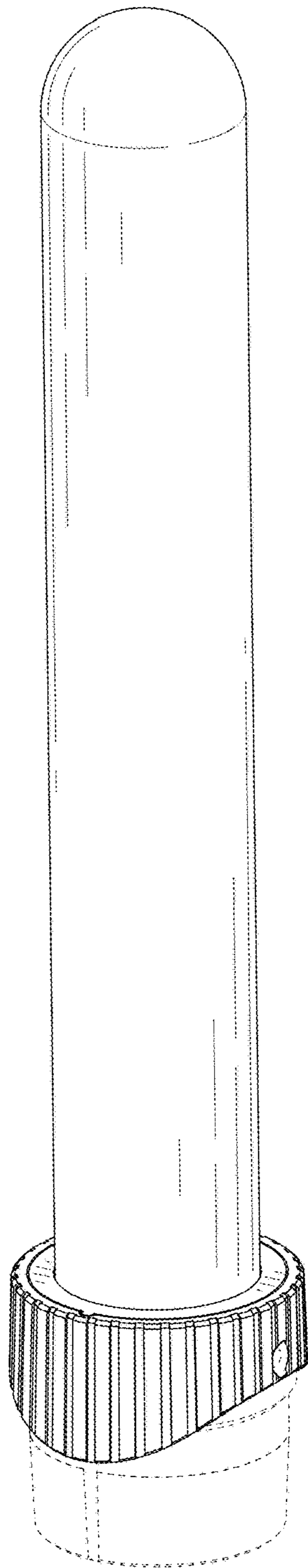


FIG. 17

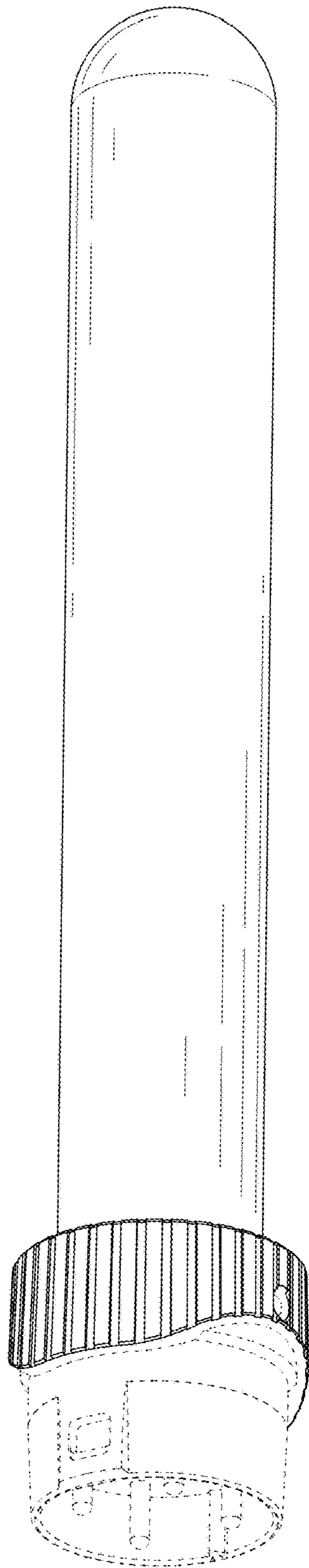


FIG. 18

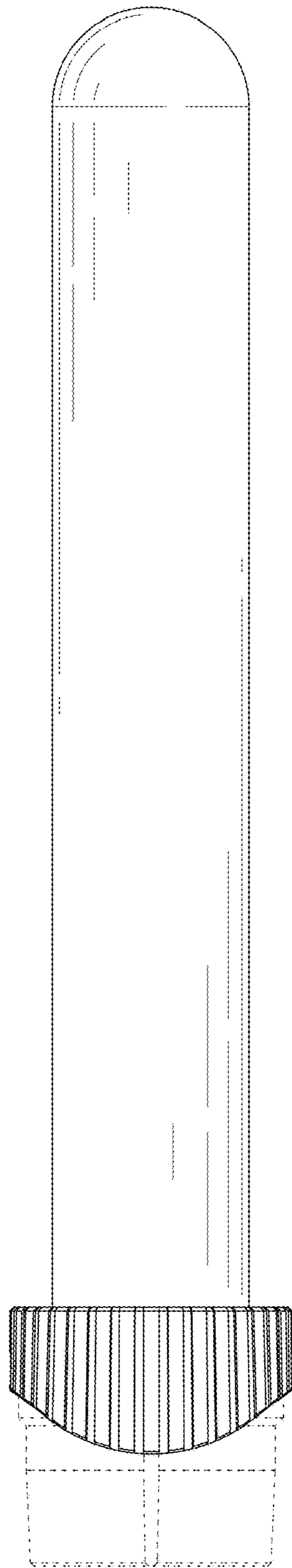


FIG. 19

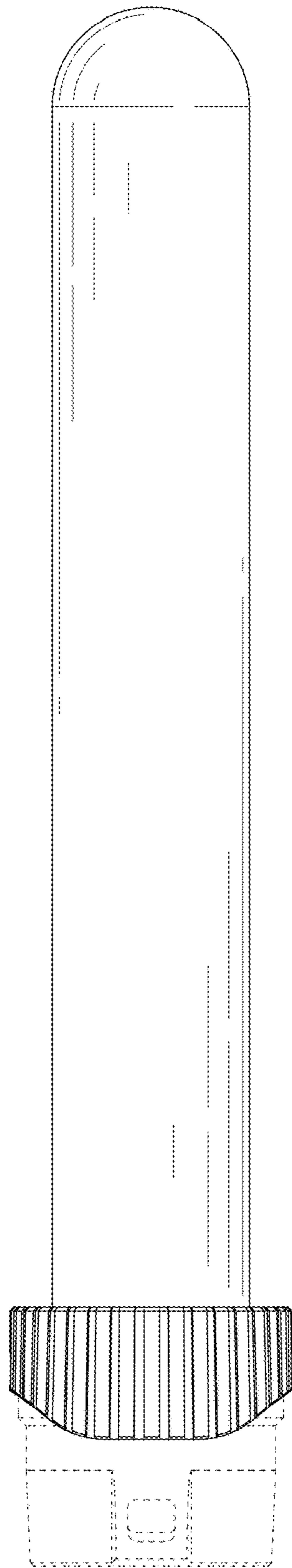


FIG. 20

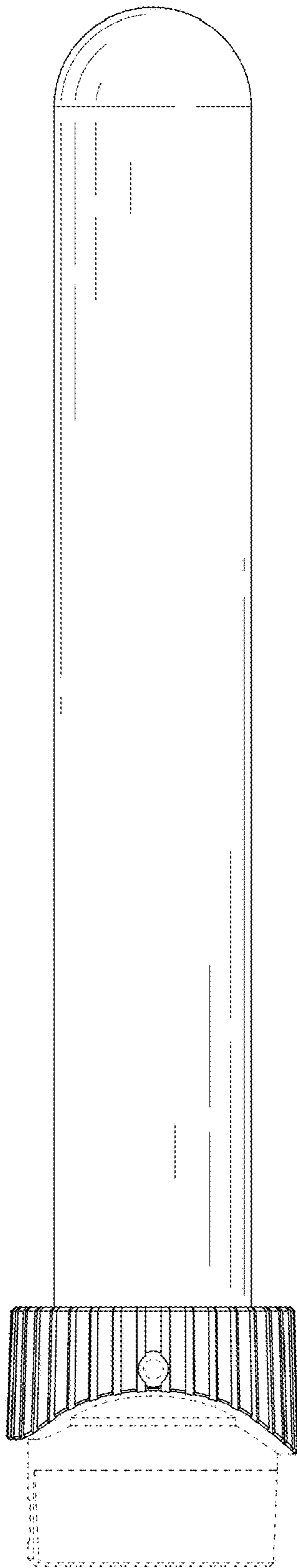


FIG. 21

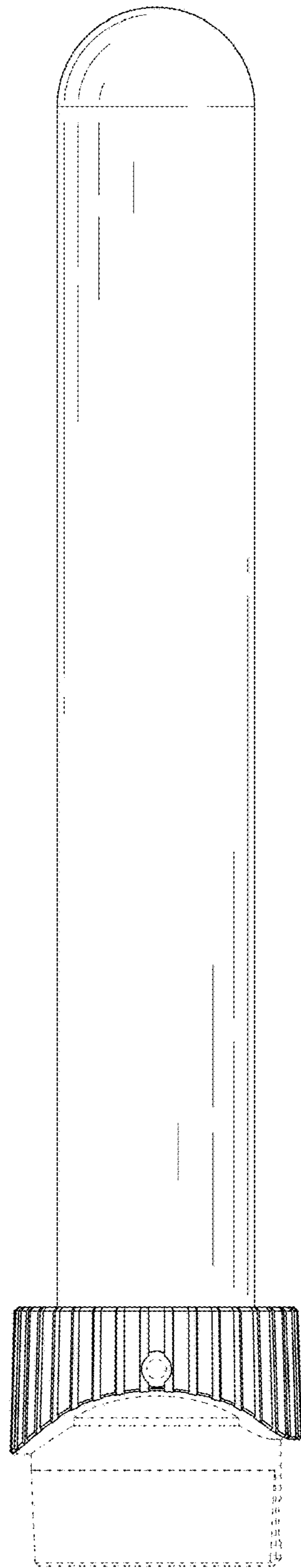


FIG. 22

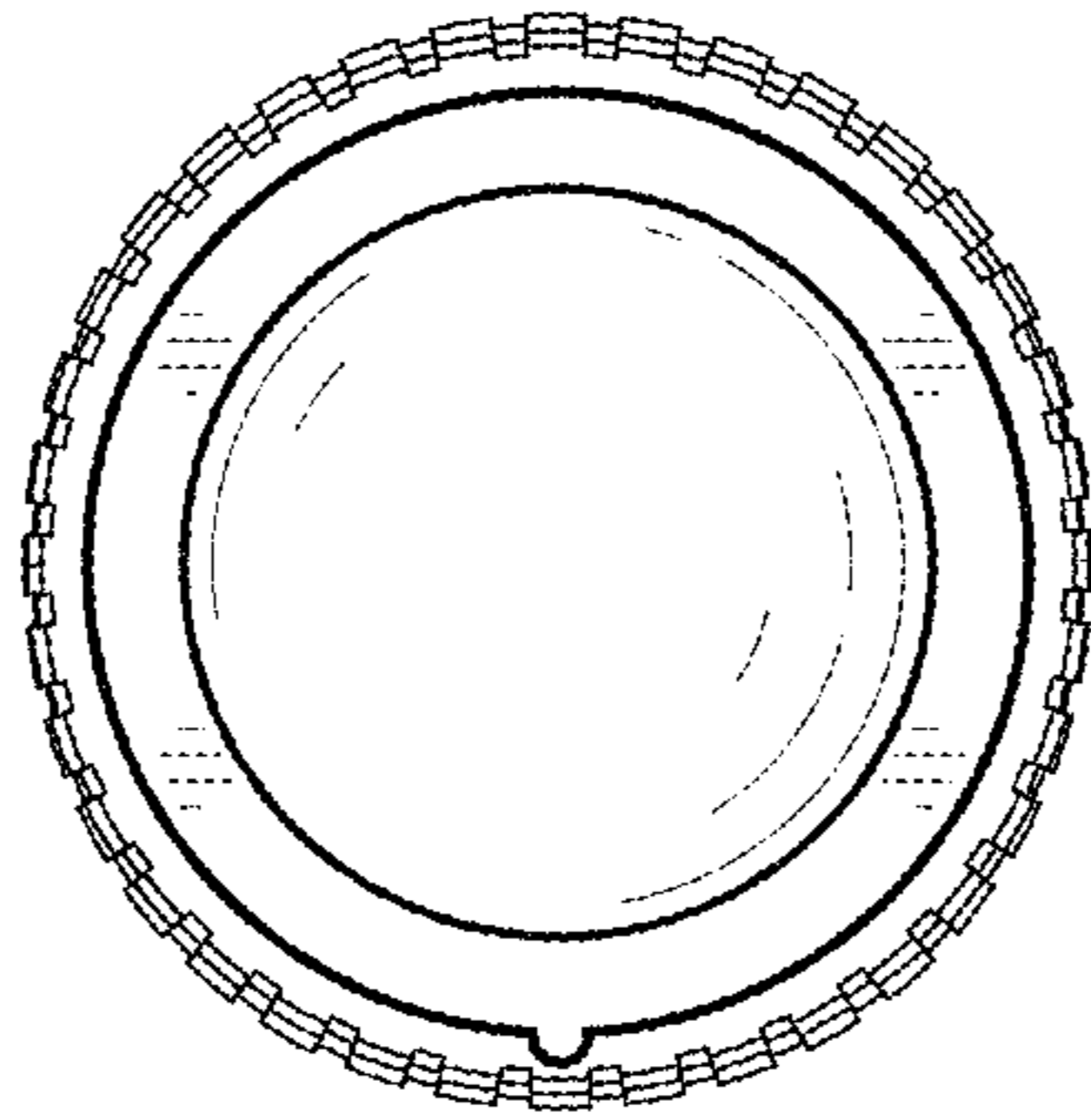


FIG. 23

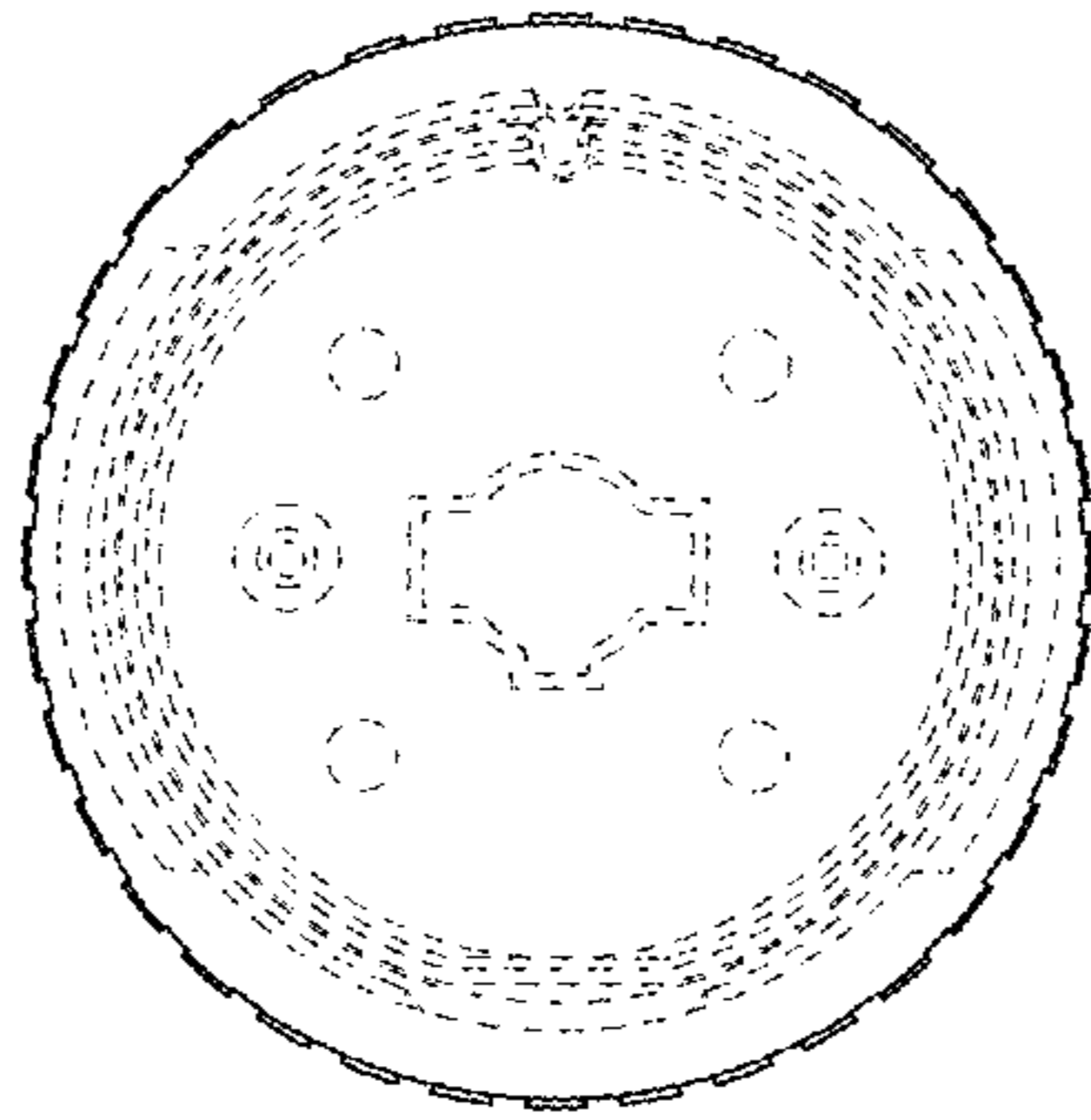


FIG. 24

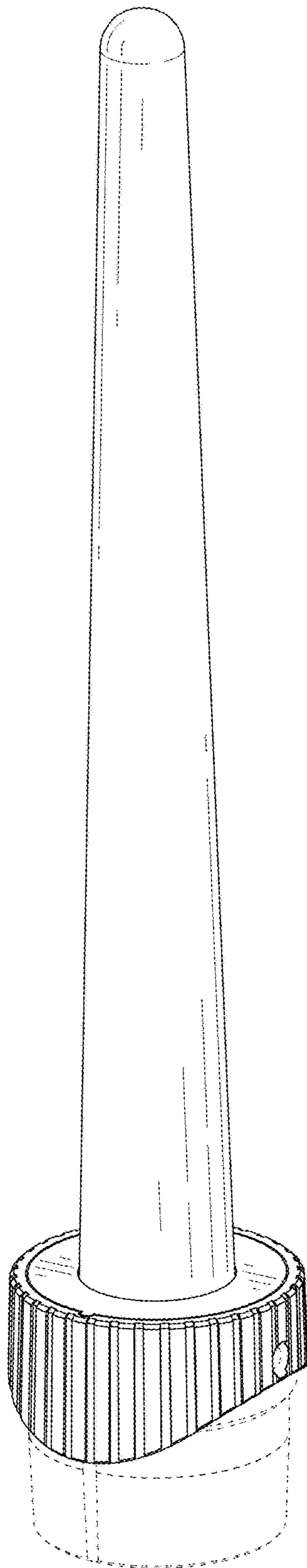


FIG. 25

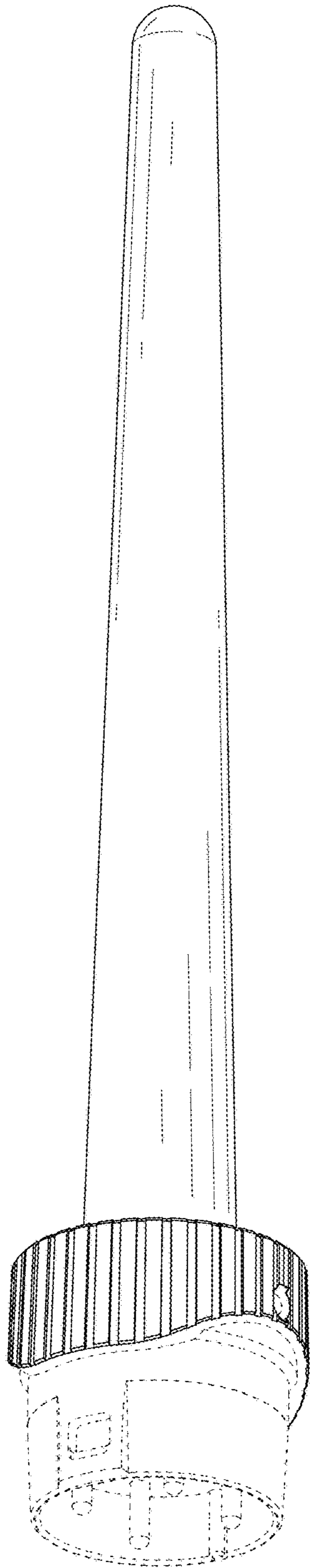


FIG. 26

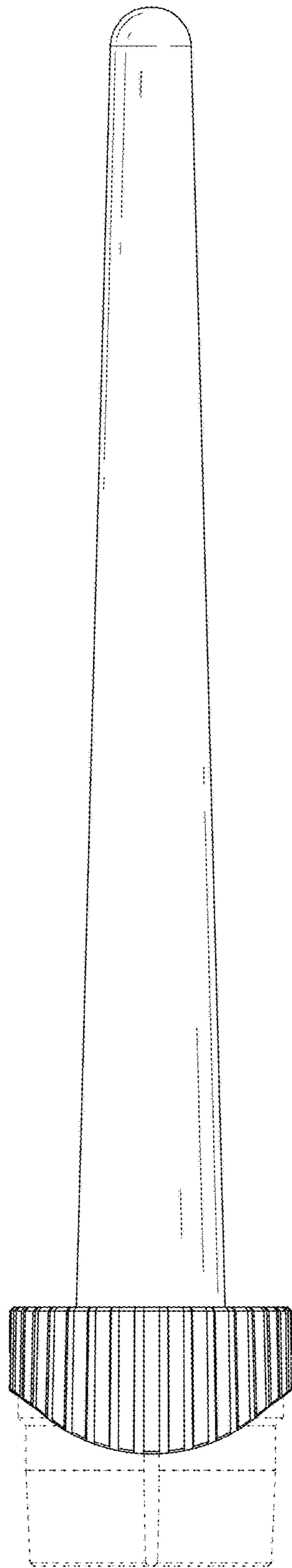


FIG. 27

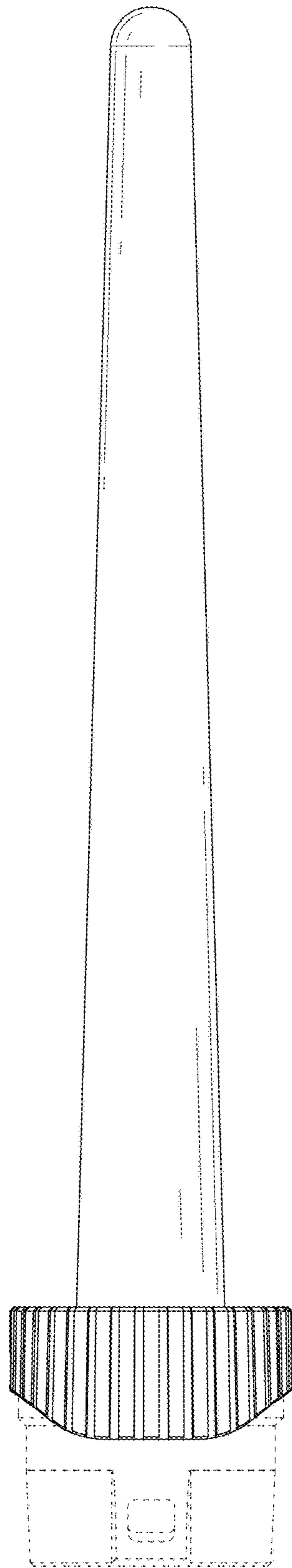


FIG. 28

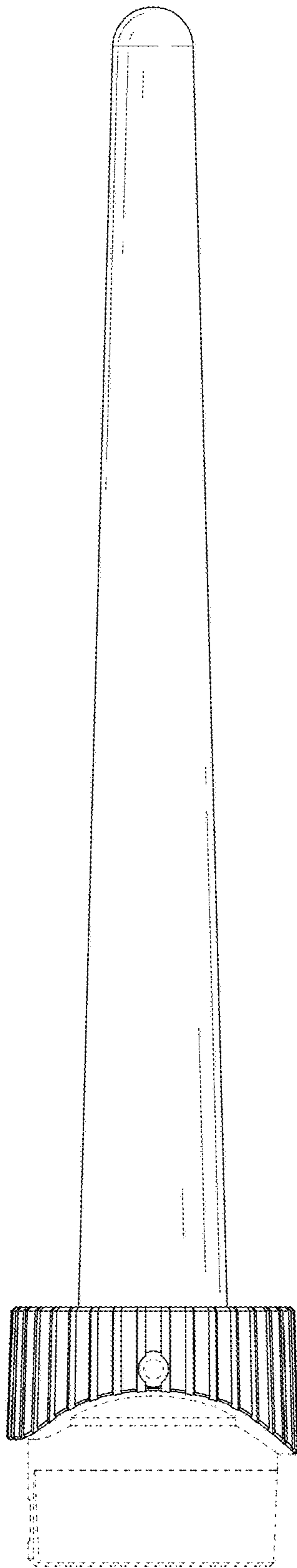


FIG. 29

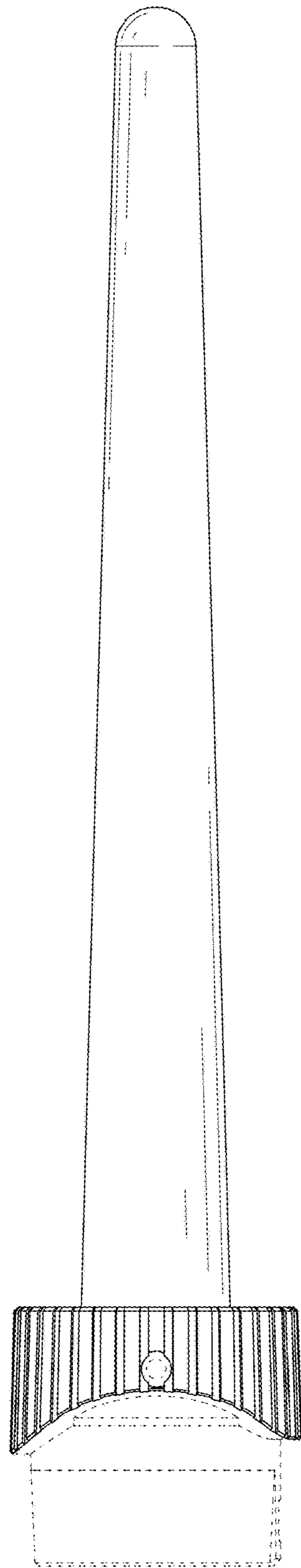


FIG. 30

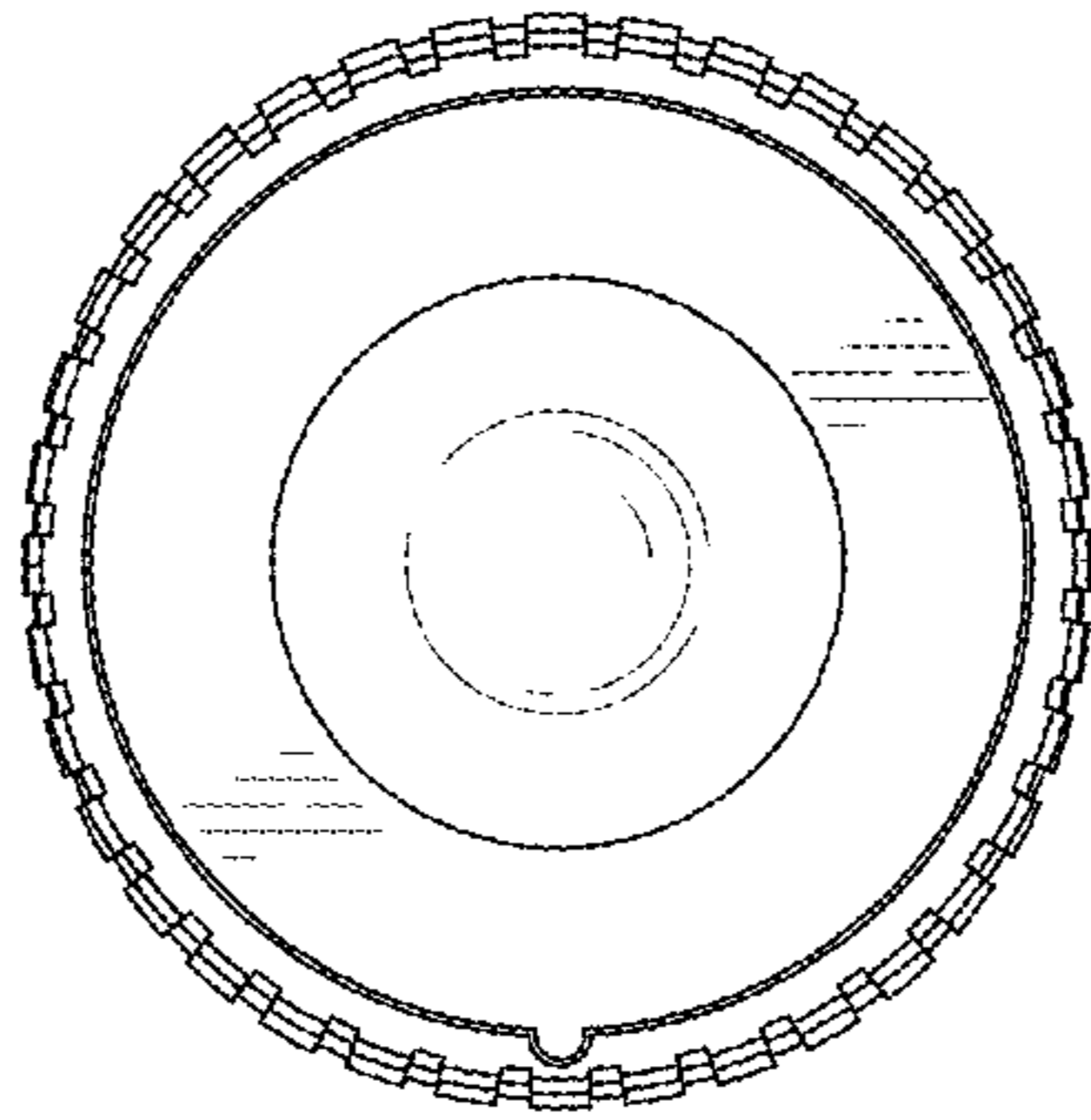


FIG. 31

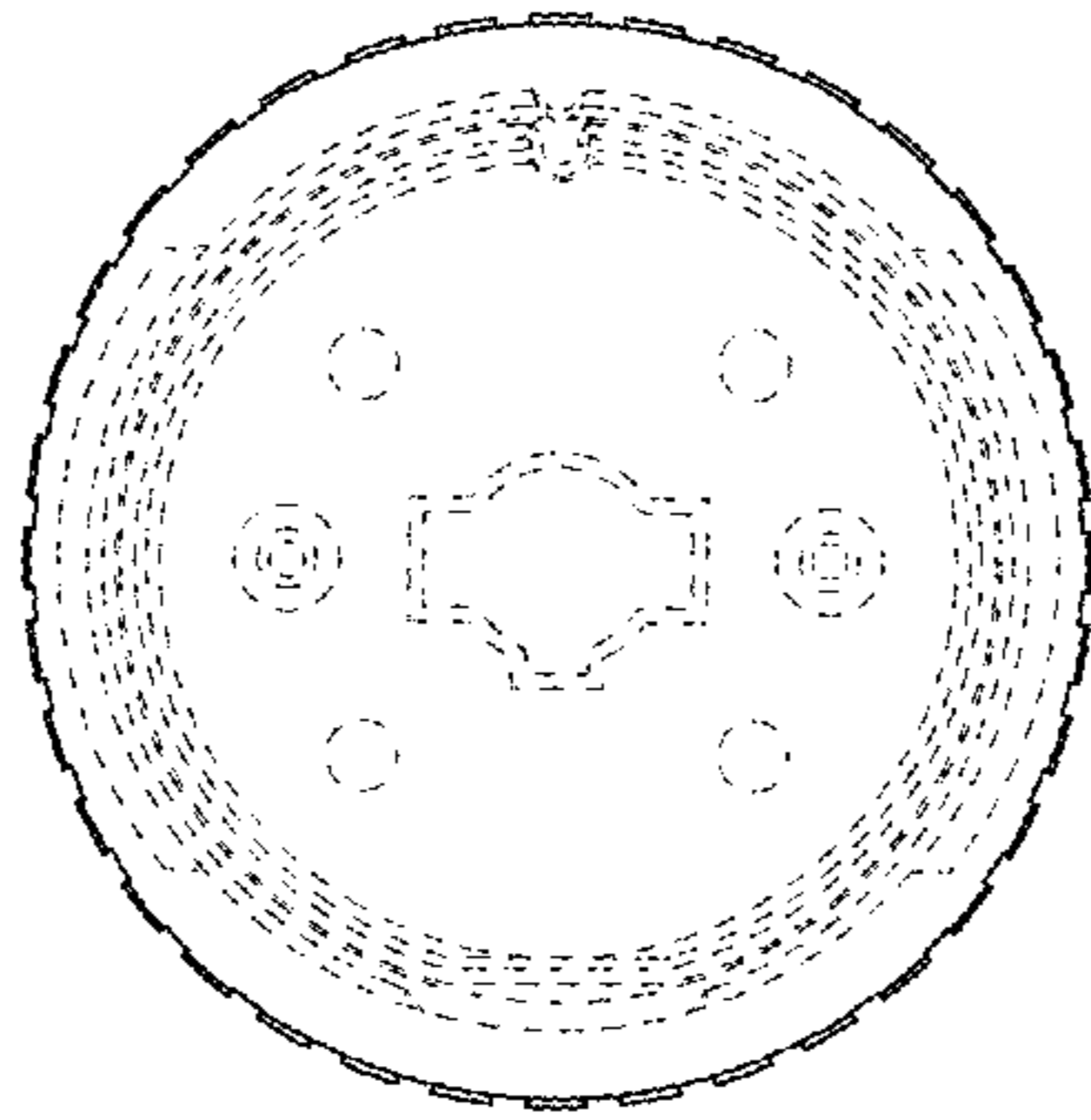


FIG. 32

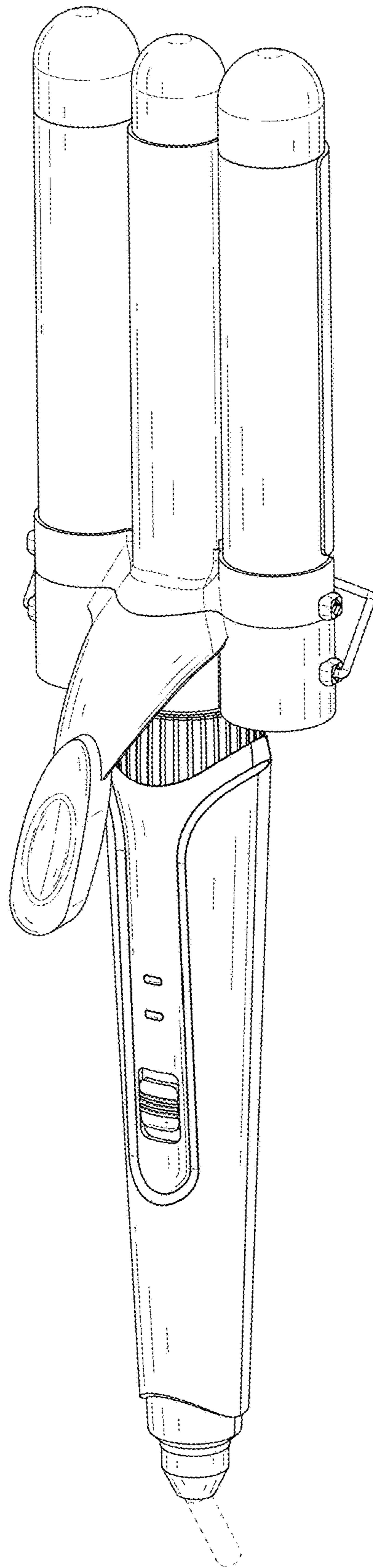


FIG. 33

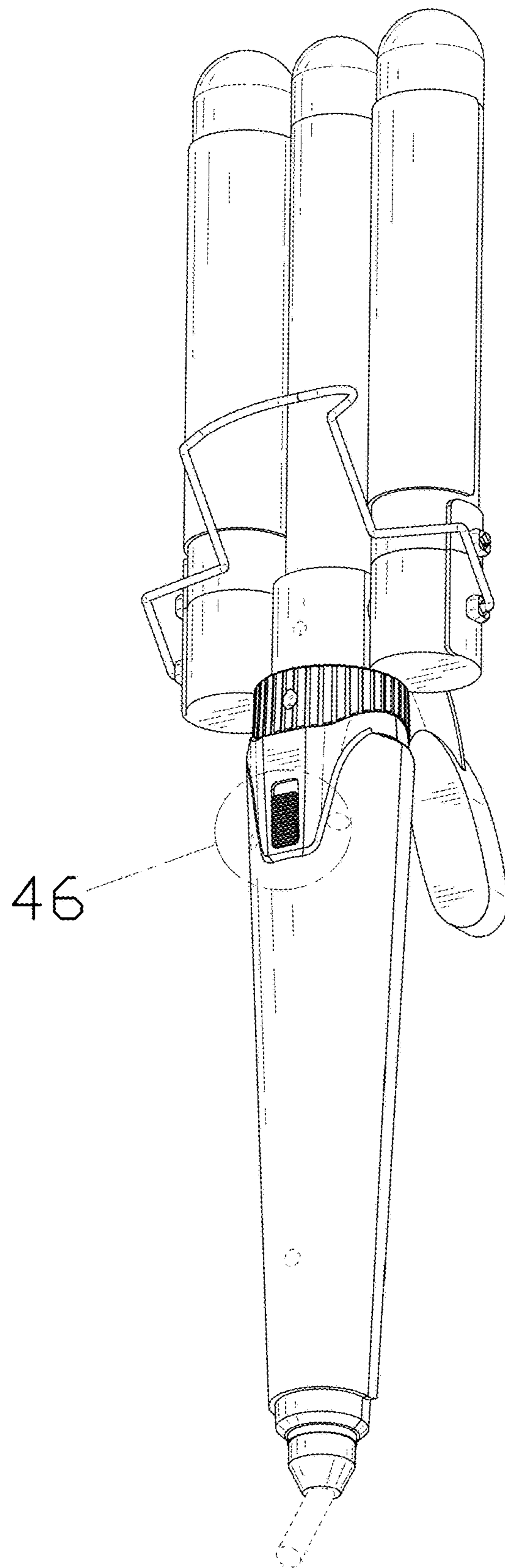


FIG. 34

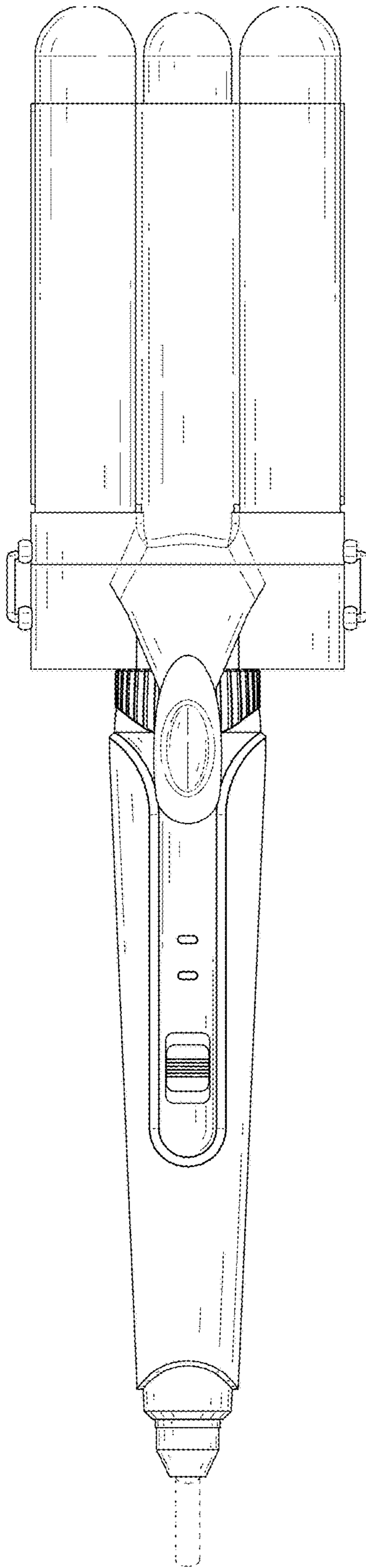


FIG. 35

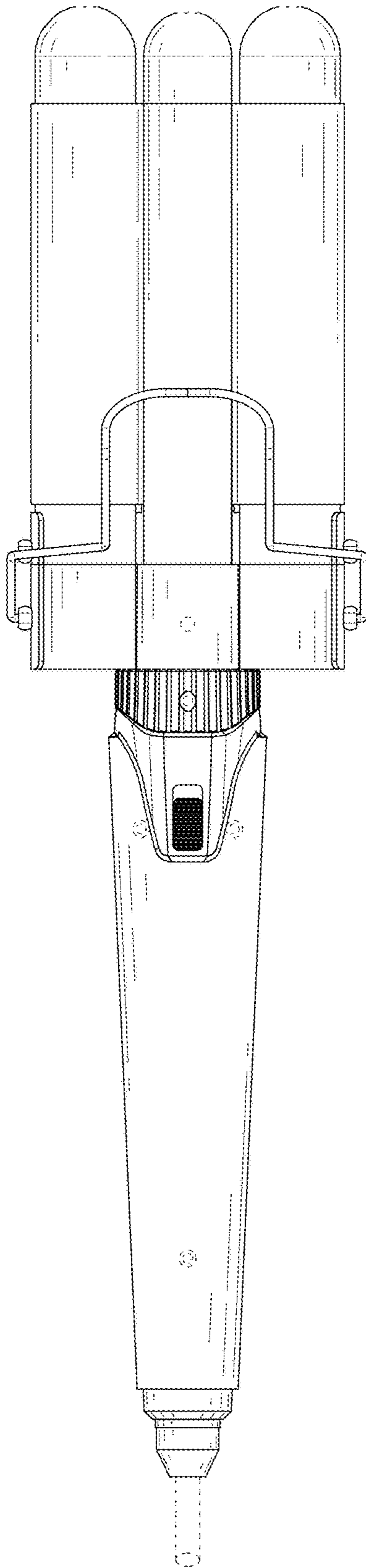


FIG. 36

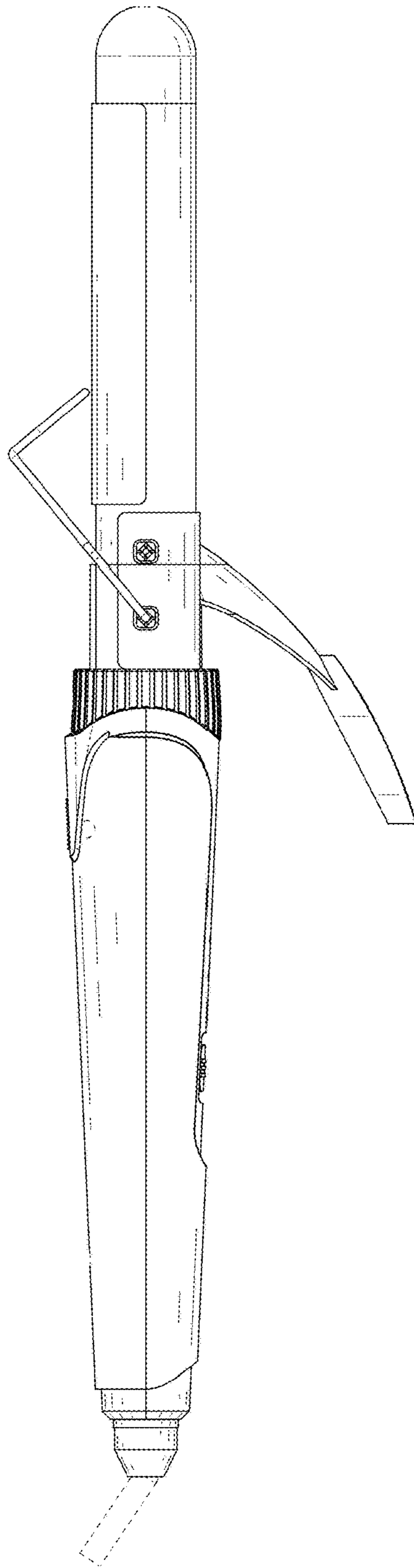


FIG. 37

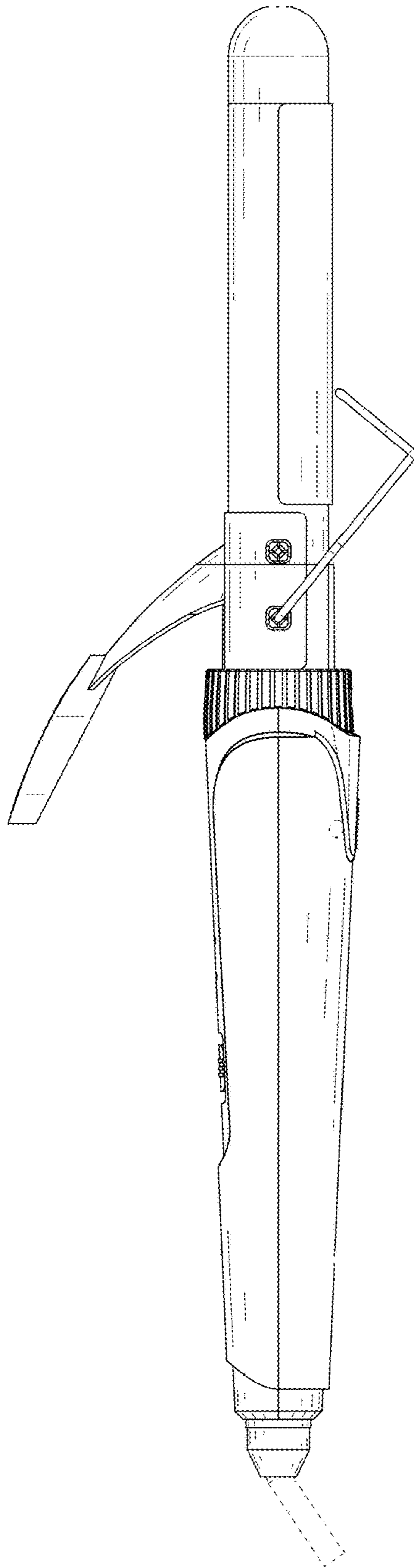


FIG. 38

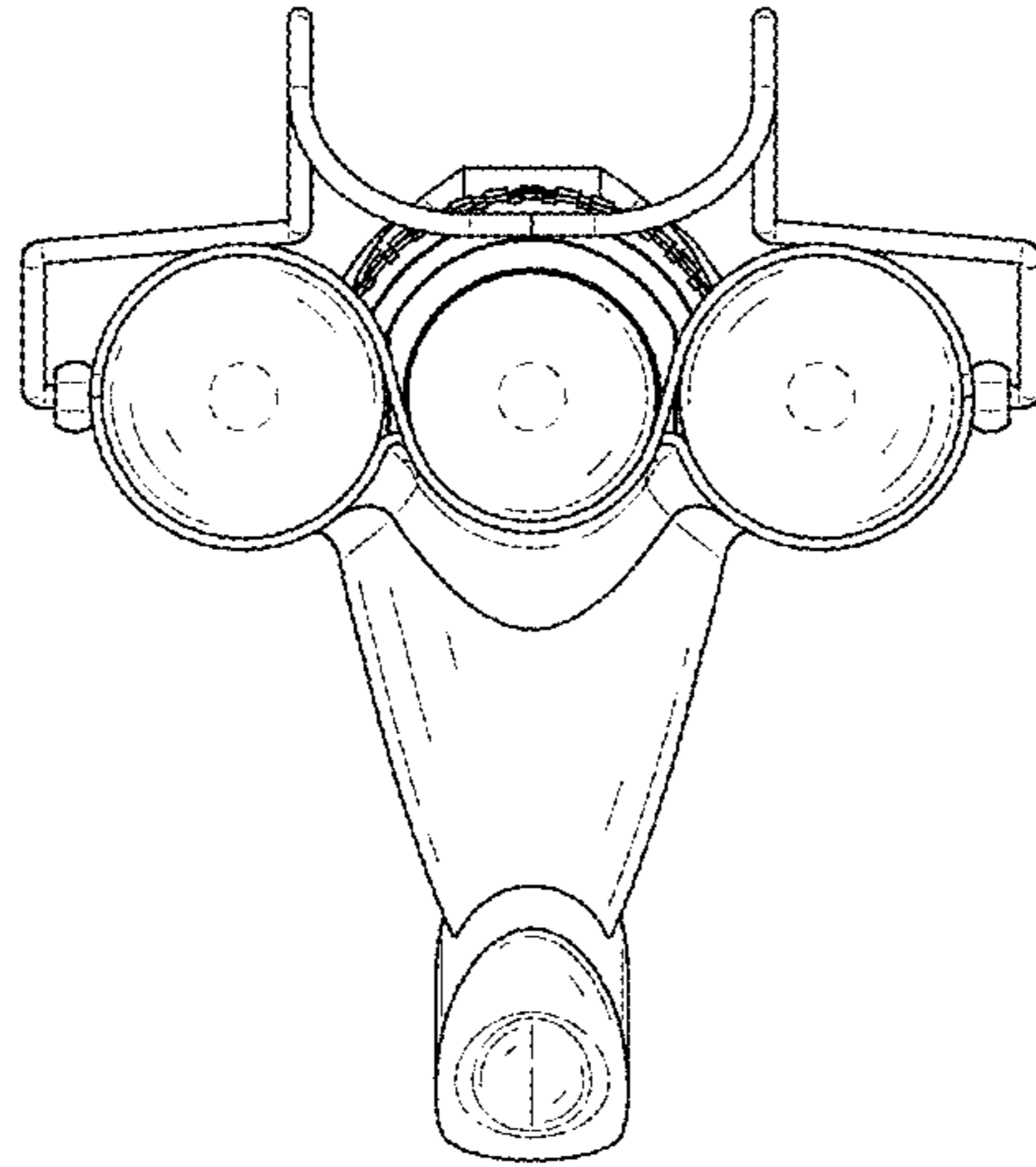


FIG. 39

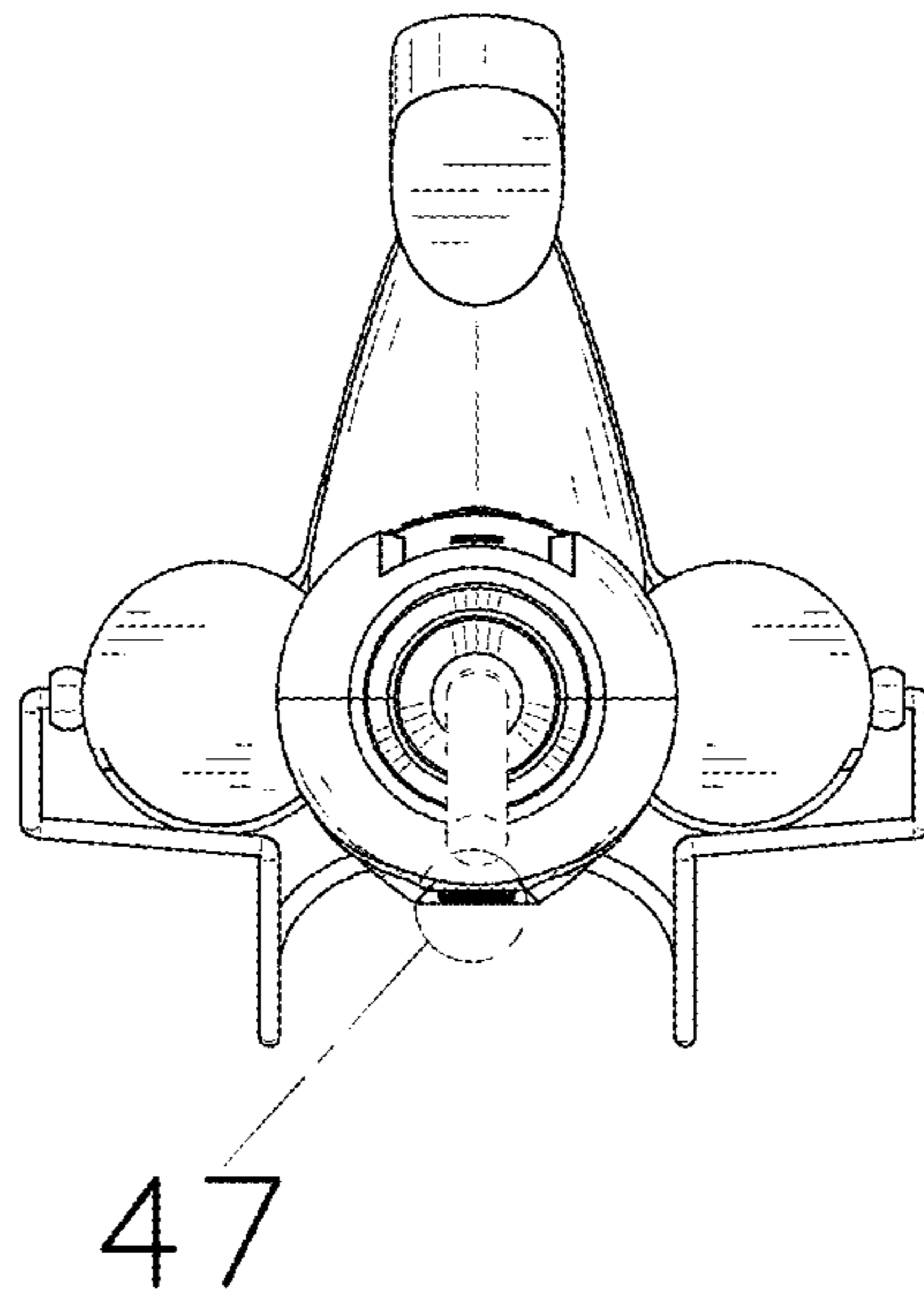


FIG. 40

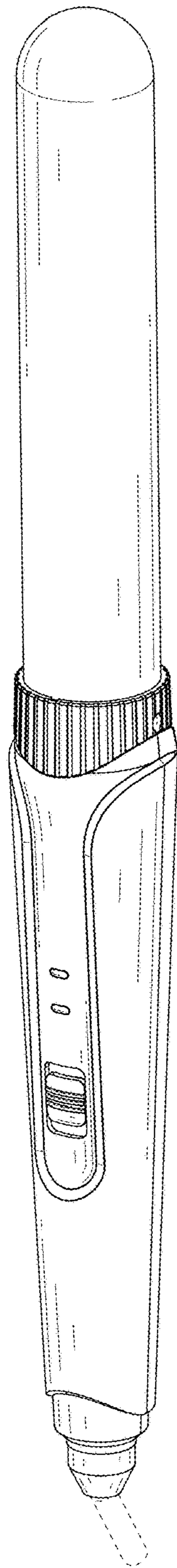


FIG. 41

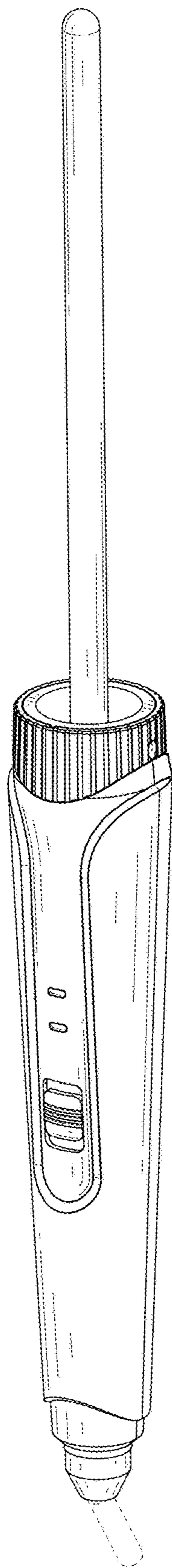


FIG. 42

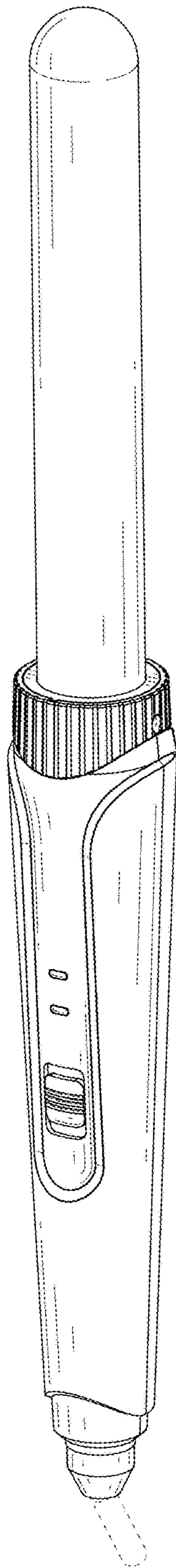


FIG. 43

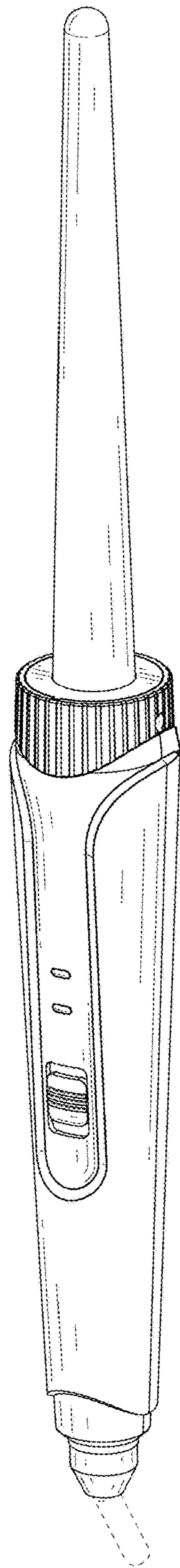


FIG. 44

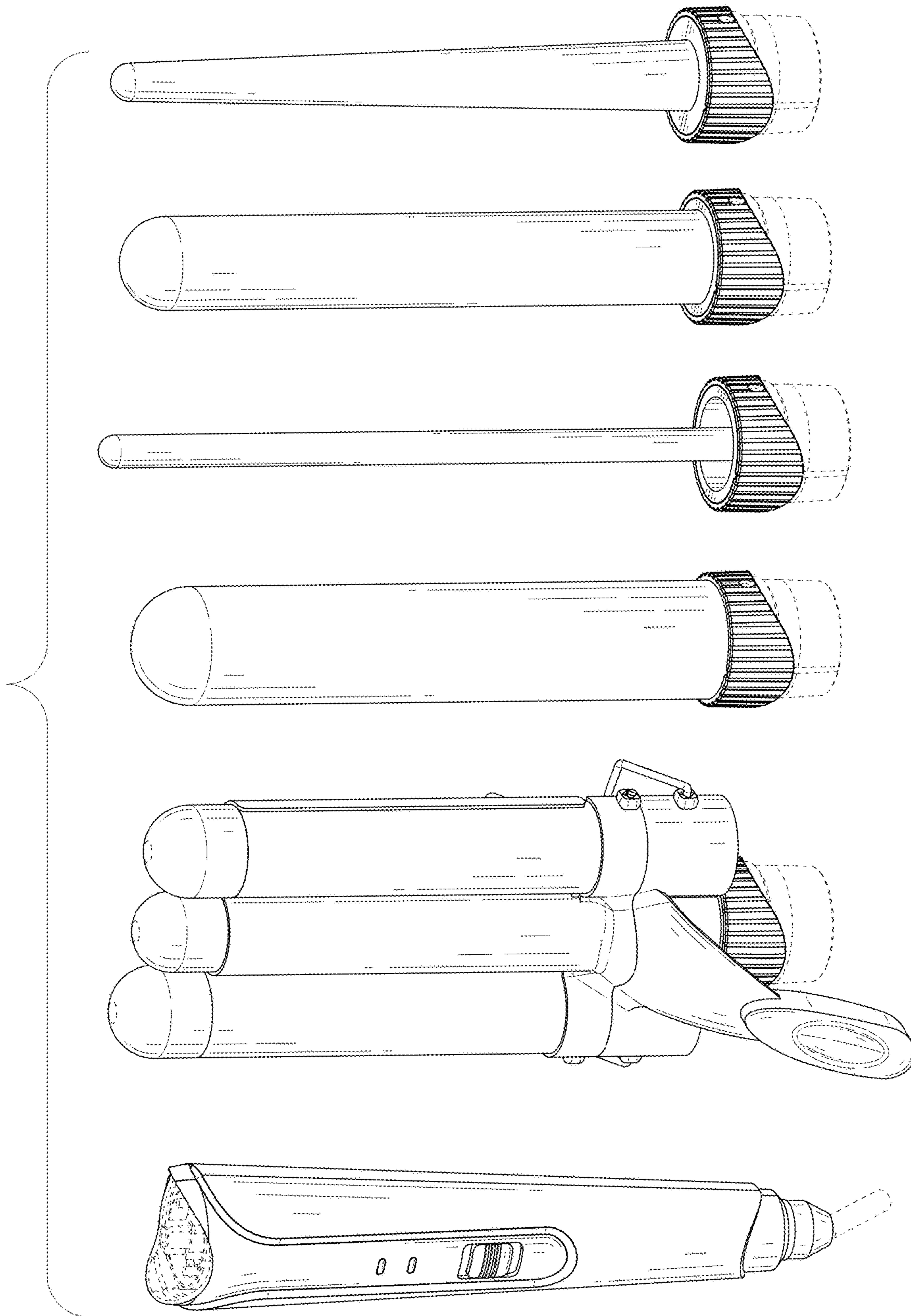


FIG. 45

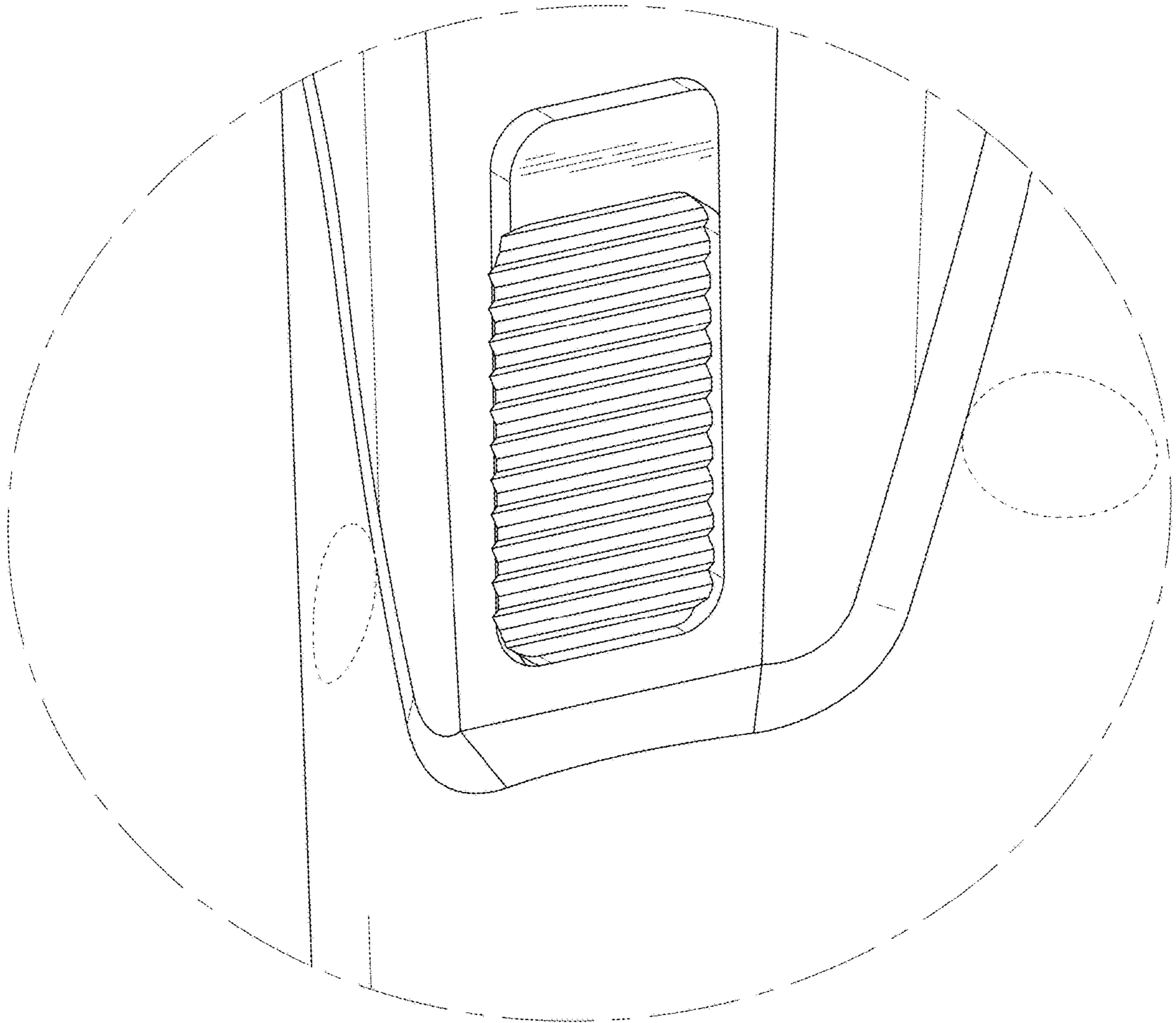


FIG. 46

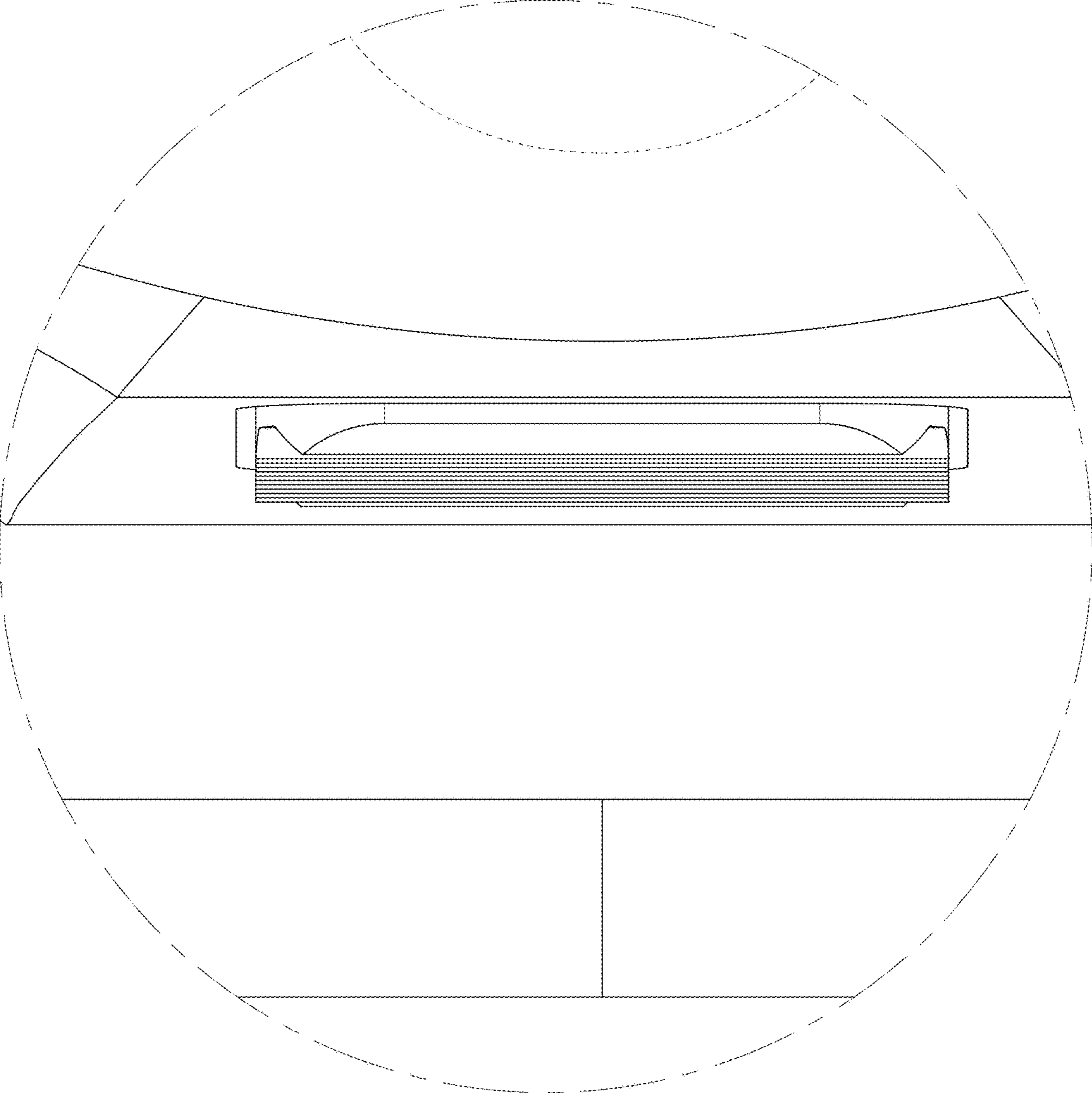


FIG. 47