



US00D965875S

(12) **United States Design Patent**
Chen

(10) **Patent No.:** **US D965,875 S**

(45) **Date of Patent:** **** Oct. 4, 2022**

- (54) **WIRELESS HAIR CURLER**
- (71) Applicant: **Shenzhen Meiduojiang Technology Co., Ltd.**, Shenzhen (CN)
- (72) Inventor: **Hongmei Chen**, Shenzhen (CN)
- (**) Term: **15 Years**
- (21) Appl. No.: **29/748,472**
- (22) Filed: **Aug. 28, 2020**
- (51) **LOC (13) Cl.** **28-03**
- (52) **U.S. Cl.**
USPC **D28/35**
- (58) **Field of Classification Search**
USPC D28/10, 35, 37, 38, 99
CPC A45D 29/00; A45D 29/02; A45D 29/04;
A45D 29/05; A45D 29/11; A45D 29/14;
A45D 6/00; A45D 6/02; A45D 6/04;
A45D 6/045; A45D 6/06; A45D 6/08;
A45D 6/10; A45D 2/00; A45D 2/001;
A45D 2/006; A45D 2/02; A45D 2/10;
A45D 1/00; A45D 1/004; A45D 1/04;
A45D 1/06; A45D 1/08; A45D 1/10;
A45D 1/14; A45D 1/16; A45D 1/28;
A45D 2002/025; A45D 4/00
See application file for complete search history.

- D902,483 S * 11/2020 Fan D28/35
- D905,333 S * 12/2020 Ng D28/35
- D916,369 S * 4/2021 Huang D28/35
- D925,829 S * 7/2021 Zeng D28/35
- 2019/0328100 A1* 10/2019 Duan A45D 2/36
- 2020/0060405 A1* 2/2020 Wang A45D 1/04

OTHER PUBLICATIONS

Wanderland Cordless Automatic Hair Curler, Wanderland, first available on Oct. 7, 2020 on amazon.com, retrieved on Sep. 29, 2021, retrieved from the Internet URL: https://www.amazon.com/WanderLand-Cordless-Automatic-Temperature-Rechargeable/dp/B08KT25FNQ/ref=sr_1_53?dchild=1&keywords=wireless%E2%80%A6.*

* cited by examiner

Primary Examiner — Alison M Ofstun

(57) **CLAIM**

The ornamental design for a wireless hair curler, as shown and described.

DESCRIPTION

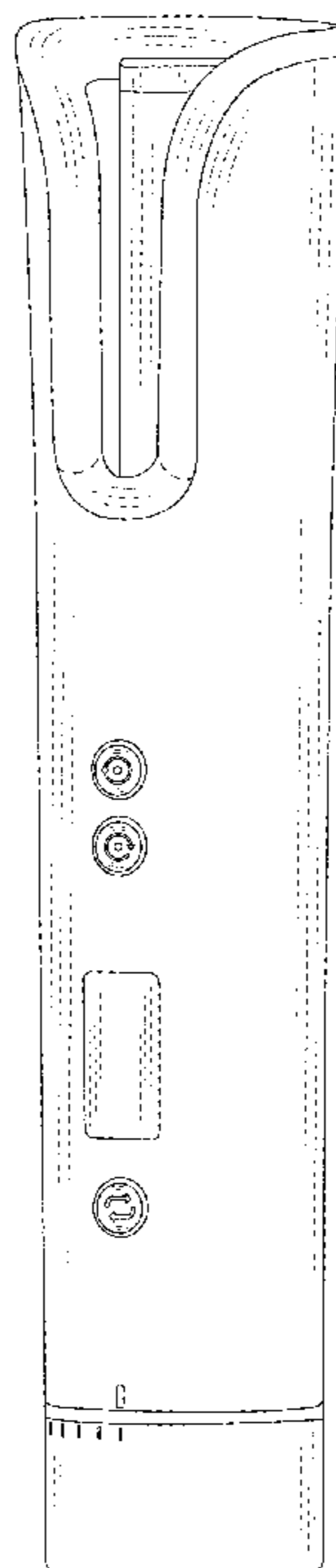
FIG. 1 is a perspective view of a wireless hair curler showing my new design;
FIG. 2 is a front view thereof;
FIG. 3 is a rear view thereof;
FIG. 4 is a right side view thereof;
FIG. 5 is a left side view thereof;
FIG. 6 is a top plan view thereof; and,
FIG. 7 is a bottom plan view thereof.
In the drawings, the evenly spaced broken lines illustrate portions of the wireless hair curler that form no part of the claimed design.

1 Claim, 7 Drawing Sheets

(56) **References Cited**

U.S. PATENT DOCUMENTS

- D724,784 S * 3/2015 Richmond D28/35
- D884,968 S * 5/2020 Zhu D28/35
- D892,405 S * 8/2020 Huang D28/35
- D897,598 S * 9/2020 Duan D28/35
- D899,687 S * 10/2020 Chen D28/35



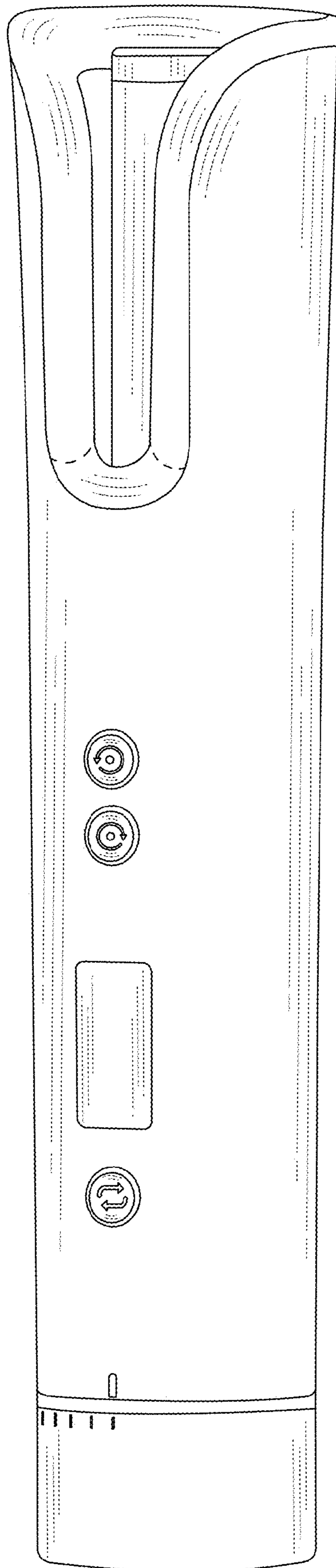


FIG. 1

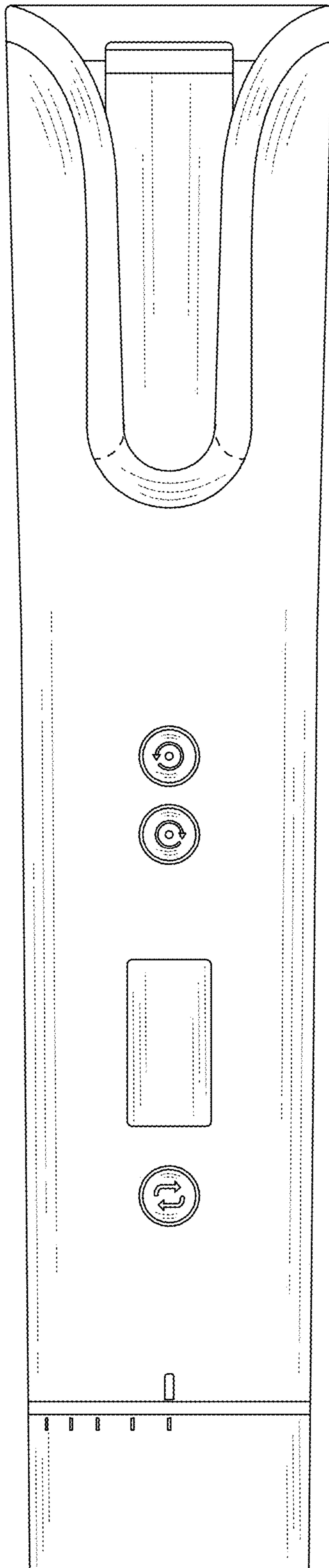


FIG. 2

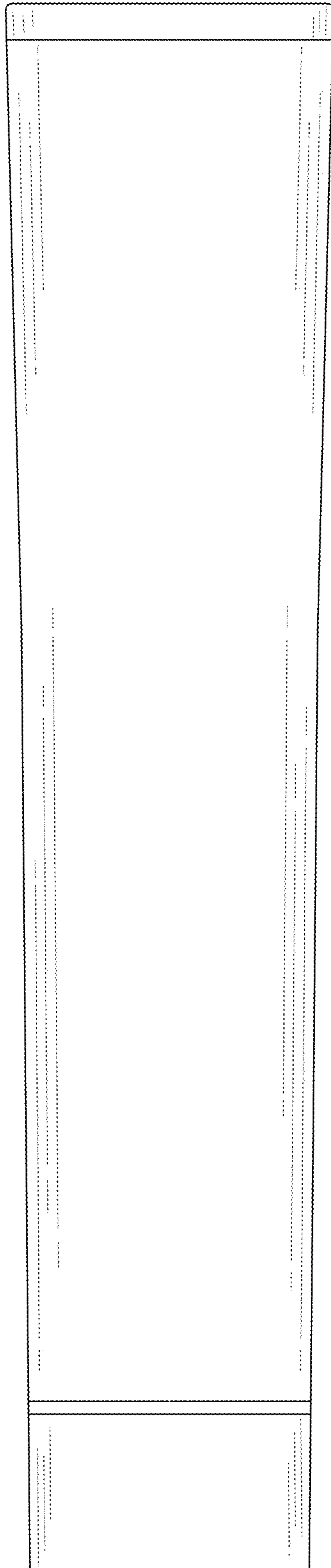


FIG. 3

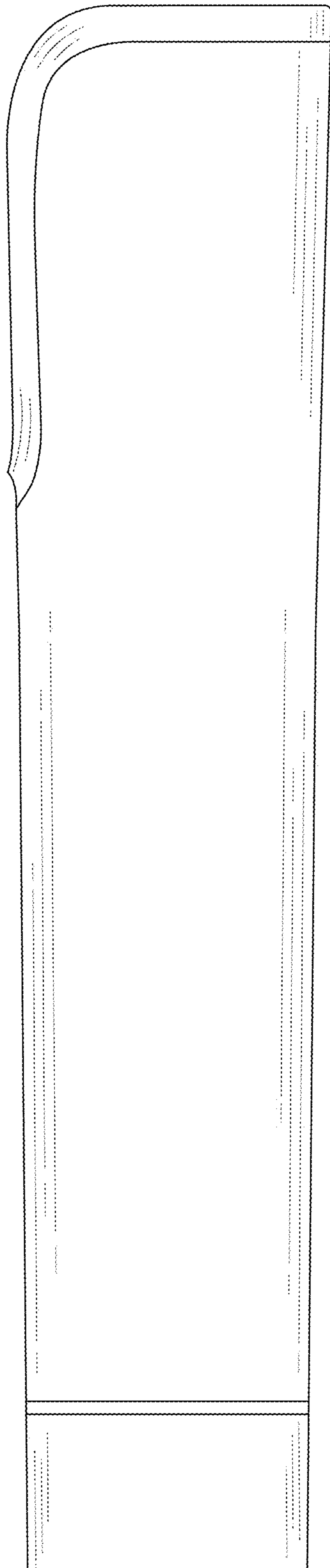


FIG. 4

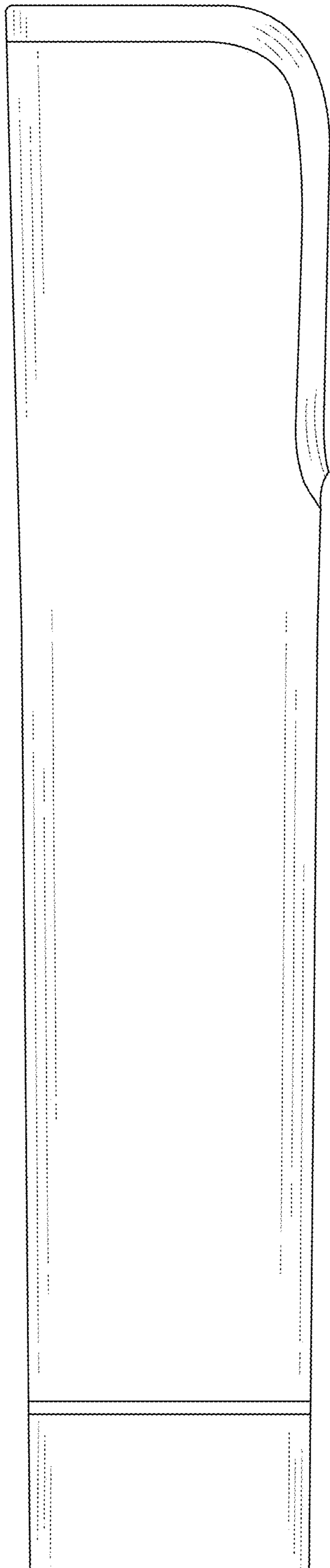


FIG. 5

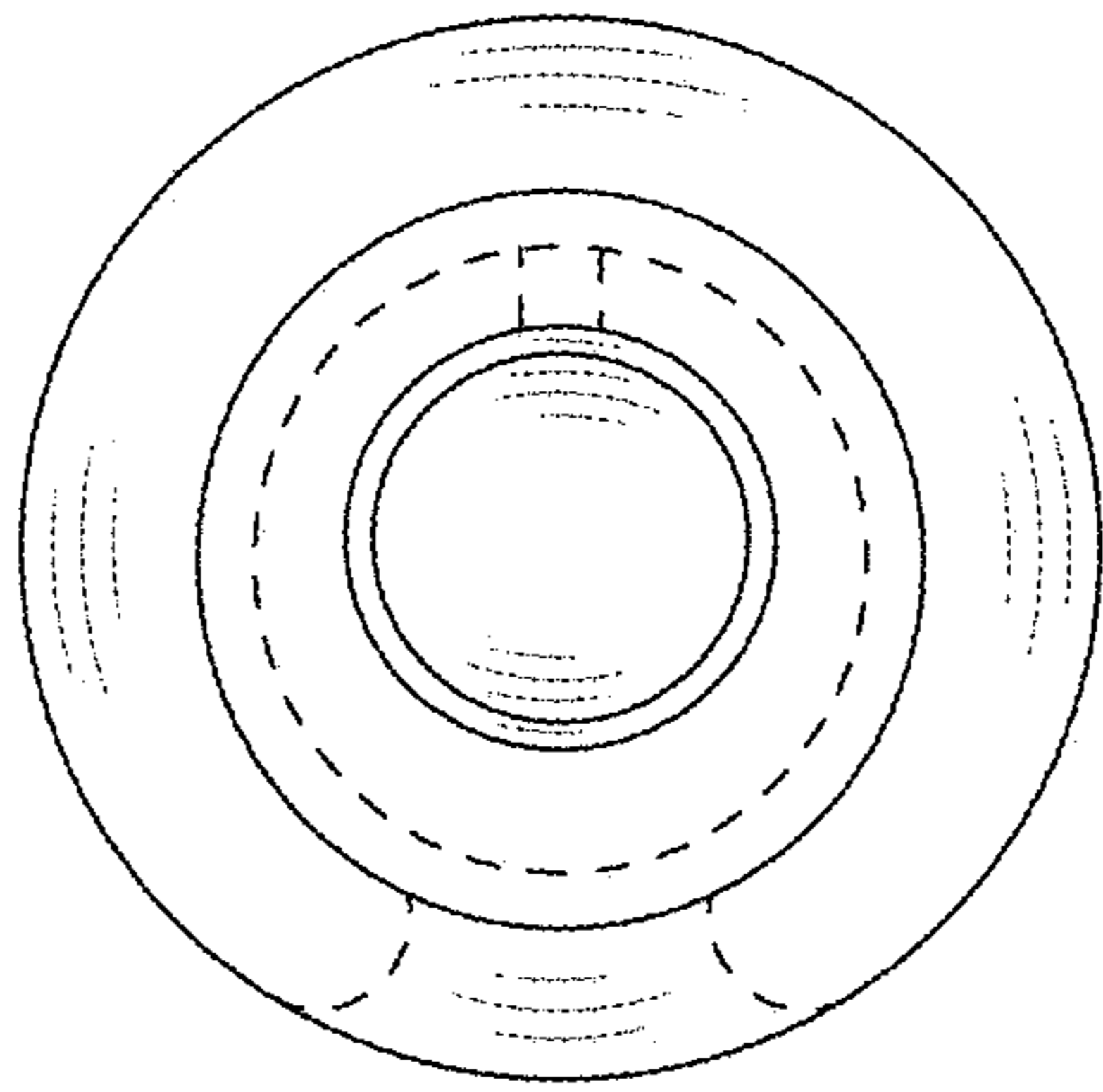


FIG. 6

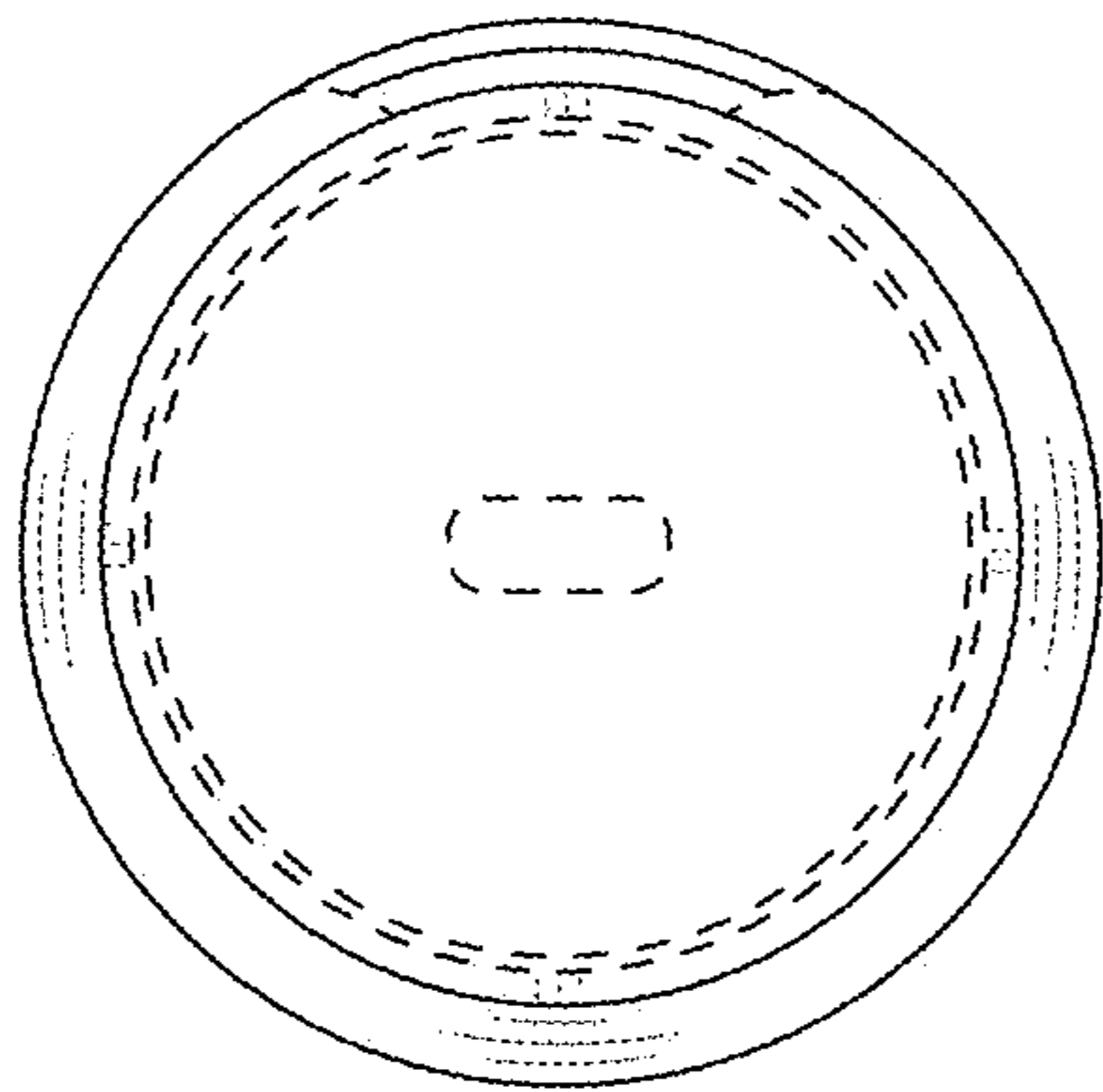


FIG. 7