



US00D965872S

(12) **United States Design Patent**
Zhao et al.

(10) **Patent No.:** **US D965,872 S**

(45) **Date of Patent:** **** Oct. 4, 2022**

(54) **HAIR STRAIGHTENER**

(71) Applicant: **THUMBS UP CROSS BORDER
E-COMMERCE CO., LTD.**, Zhuhai
(CN)

(72) Inventors: **Yuqiang Zhao**, Zhuhai (CN); **Yubin Li**,
Zhuhai (CN); **Xiu Zou**, Zhuhai (CN);
Zhidong Wang, Zhuhai (CN); **Lilin
Xu**, Zhuhai (CN); **Jiacheng Huang**,
Zhuhai (CN); **Fen He**, Zhuhai (CN)

(73) Assignee: **THUMBS UP CROSS BORDER
E-COMMERCE CO., LTD.**, Zhuhai
(CN)

(**) Term: **15 Years**

(21) Appl. No.: **29/723,630**

(22) Filed: **Feb. 9, 2020**

(51) **LOC (13) Cl.** **28-03**

(52) **U.S. Cl.**
USPC **D28/35**

(58) **Field of Classification Search**
USPC D28/10–16, 35–38, 99
CPC . A45D 1/00; A45D 1/004; A45D 1/02; A45D
1/04; A45D 1/06; A45D 1/08; A45D
1/10; A45D 1/12; A45D 1/14; A45D
1/16; A45D 1/18; A45D 1/20; A45D
1/28; A45D 2/00; A45D 2/001; A45D
2/002; A45D 2/12; A45D 2/36; A45D
6/00

See application file for complete search history.

(56) **References Cited**

U.S. PATENT DOCUMENTS

D570,043 S * 5/2008 Leung D28/35
D599,058 S * 8/2009 Kim D28/35
D605,359 S * 12/2009 Keong D28/35

D606,255 S * 12/2009 Leung D28/35
D606,256 S * 12/2009 Leung D28/35
D627,926 S * 11/2010 Nenadich D28/35
D632,430 S * 2/2011 Kim D28/35
D650,128 S * 12/2011 Hein D28/35
D825,848 S * 8/2018 Brady D28/35
D853,643 S * 7/2019 Kim D28/35
D912,321 S * 3/2021 Huang D28/35
D913,589 S * 3/2021 Thalmann D28/35
D931,533 S * 9/2021 Brady D28/35
D933,293 S * 10/2021 Lin D28/35
2006/0207625 A1 * 9/2006 Chan A45D 1/04
132/224

(Continued)

FOREIGN PATENT DOCUMENTS

EP 3338590 A1 * 6/2018 A45D 1/14

Primary Examiner — Alison M Ofstun

(74) *Attorney, Agent, or Firm* — Law Offices of Steven
W. Weinrieb

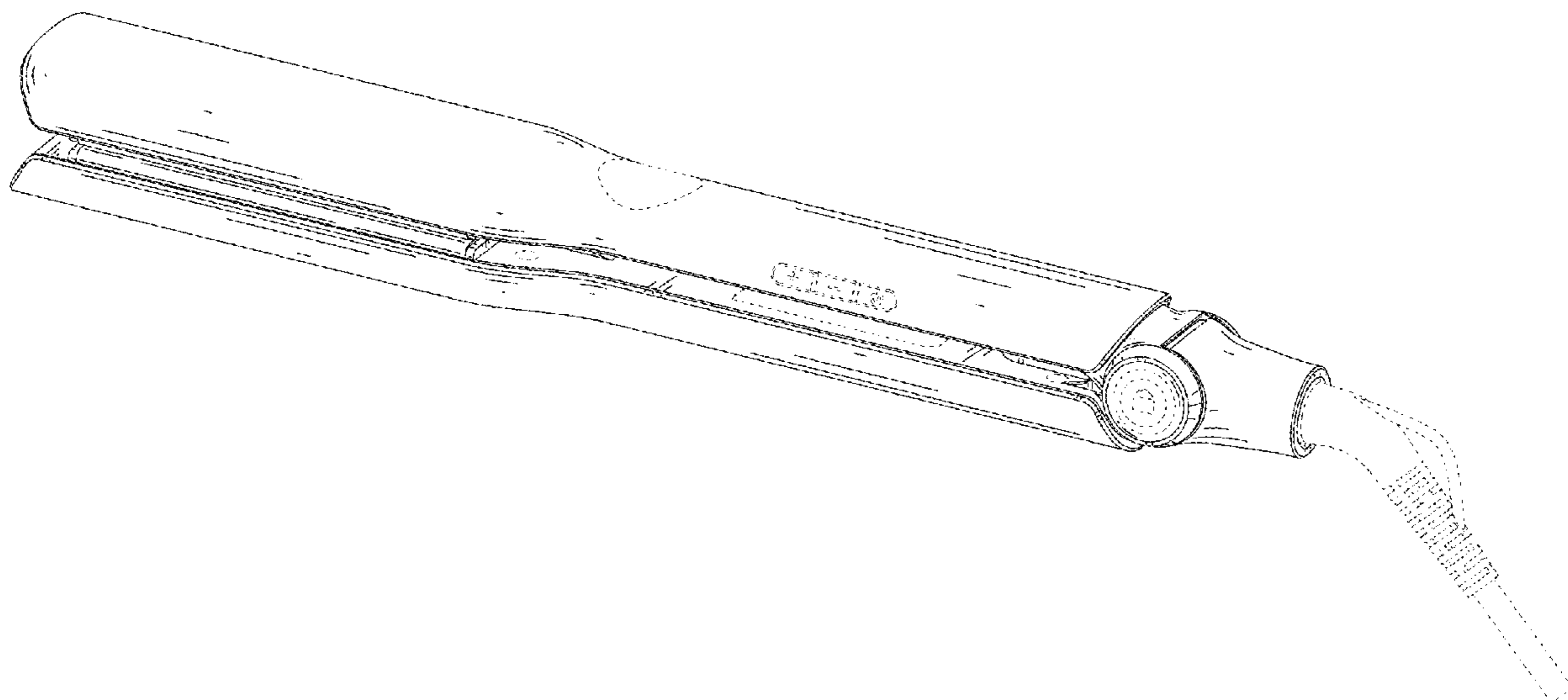
(57) **CLAIM**

The ornamental design for a hair straightener, as shown an
described.

DESCRIPTION

FIG. 1 is a front, right side, top perspective view of a hair
straightener showing my new design;
FIG. 2 is a rear, left side, bottom perspective view thereof;
FIG. 3 is a front elevational view thereof;
FIG. 4 is a rear elevational view thereof;
FIG. 5 is a left side elevational view thereof;
FIG. 6 is a right side elevational view thereof;
FIG. 7 is a top plan view thereof;
FIG. 8 is a bottom plan view thereof; and,
FIG. 9 is a front, right side, top perspective view thereof in
an open position of use.
The broken lines depict portions of the hair straightener that
form no part of the claimed design.

1 Claim, 9 Drawing Sheets



(56)

References Cited

U.S. PATENT DOCUMENTS

2009/0114240 A1* 5/2009 Leung A45D 1/04
132/224
2018/0042352 A1* 2/2018 deGroot A45D 1/04
2018/0213908 A1* 8/2018 Lee A45D 1/06

* cited by examiner

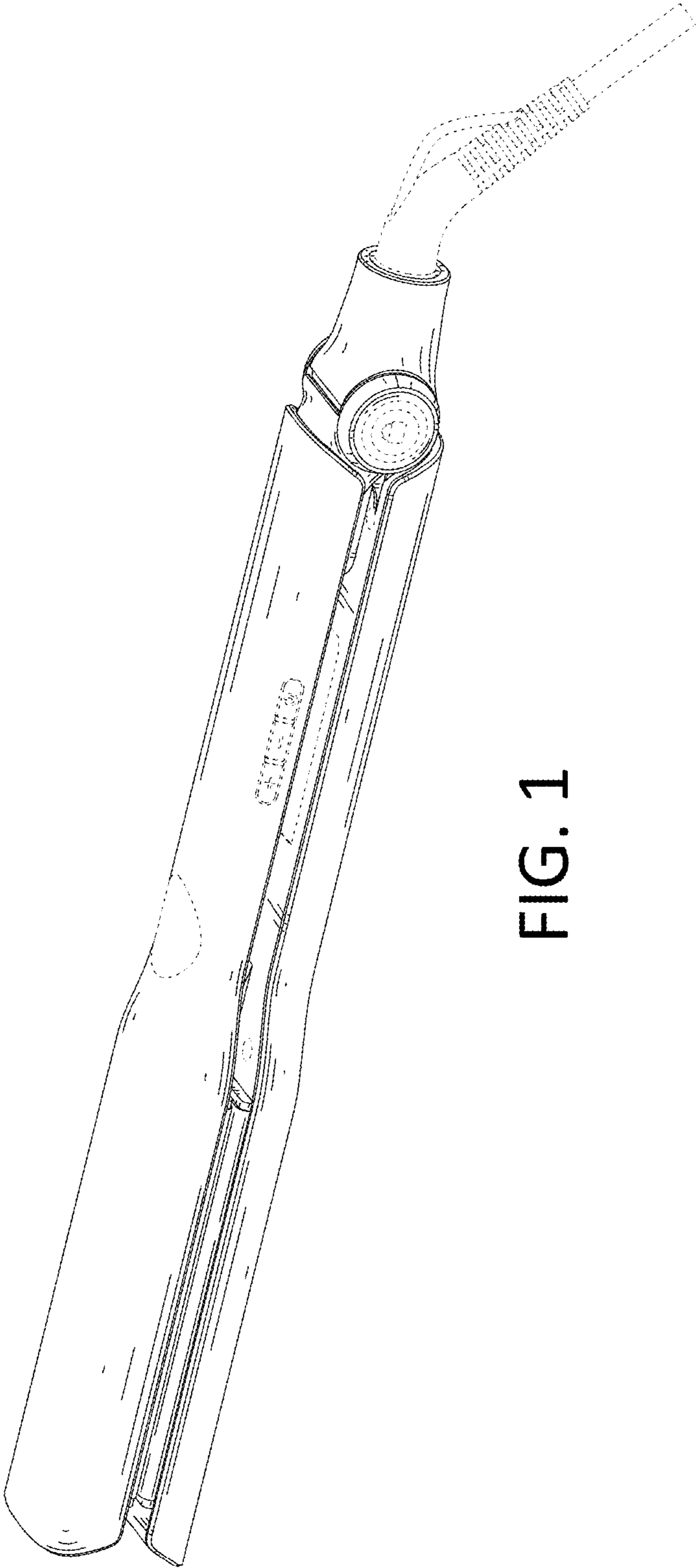


FIG. 1

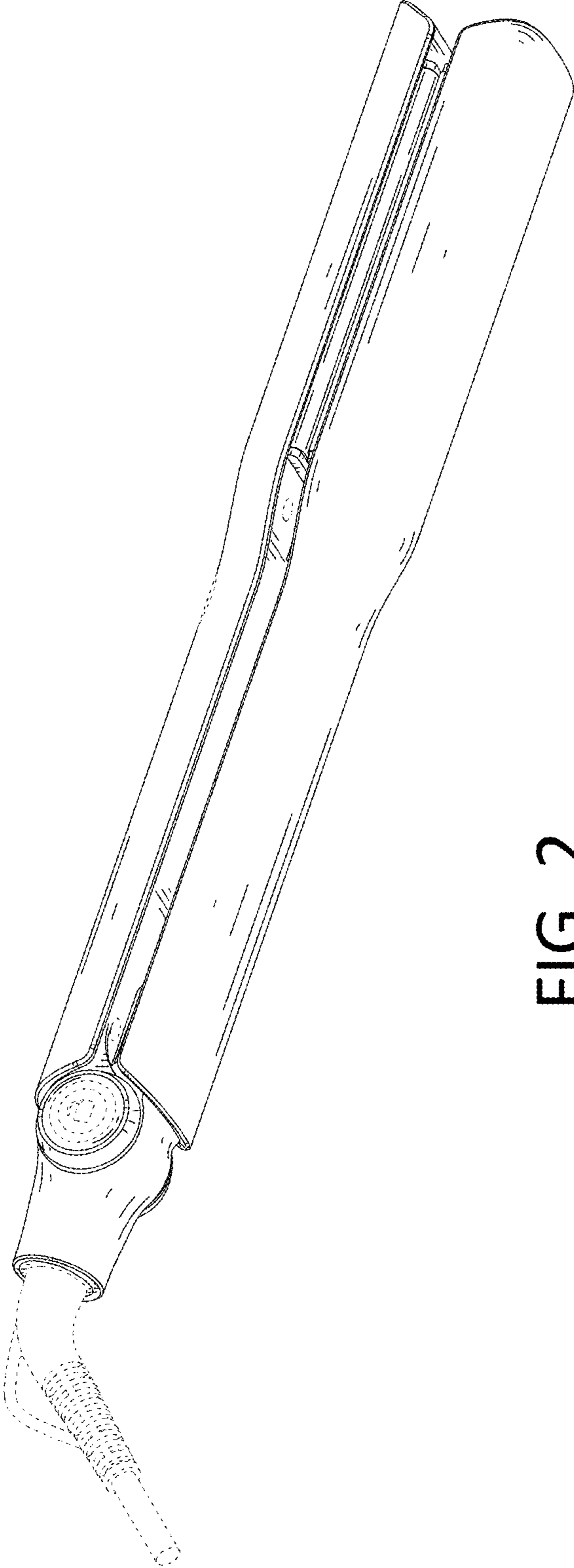


FIG. 2

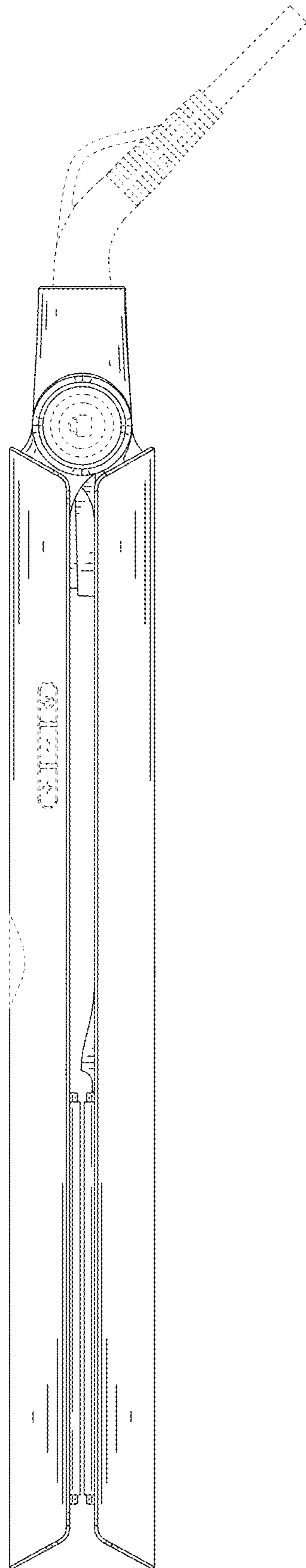


FIG. 3

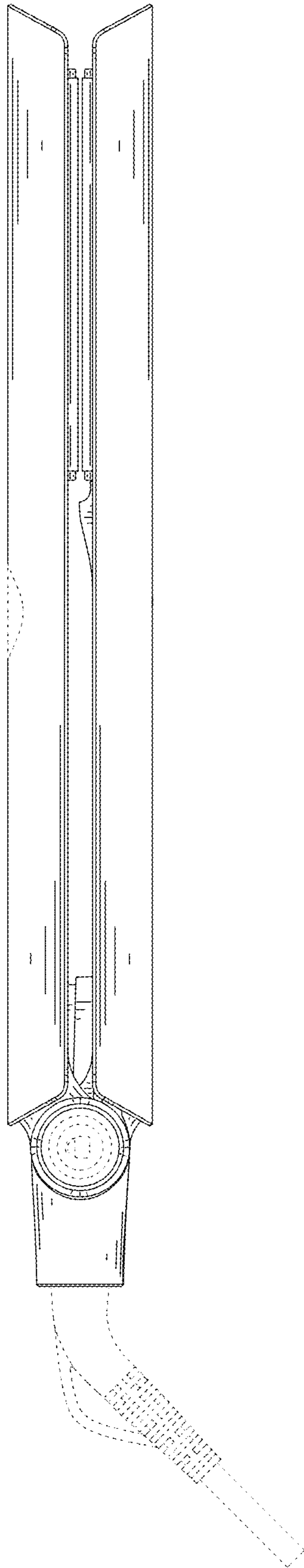


FIG. 4

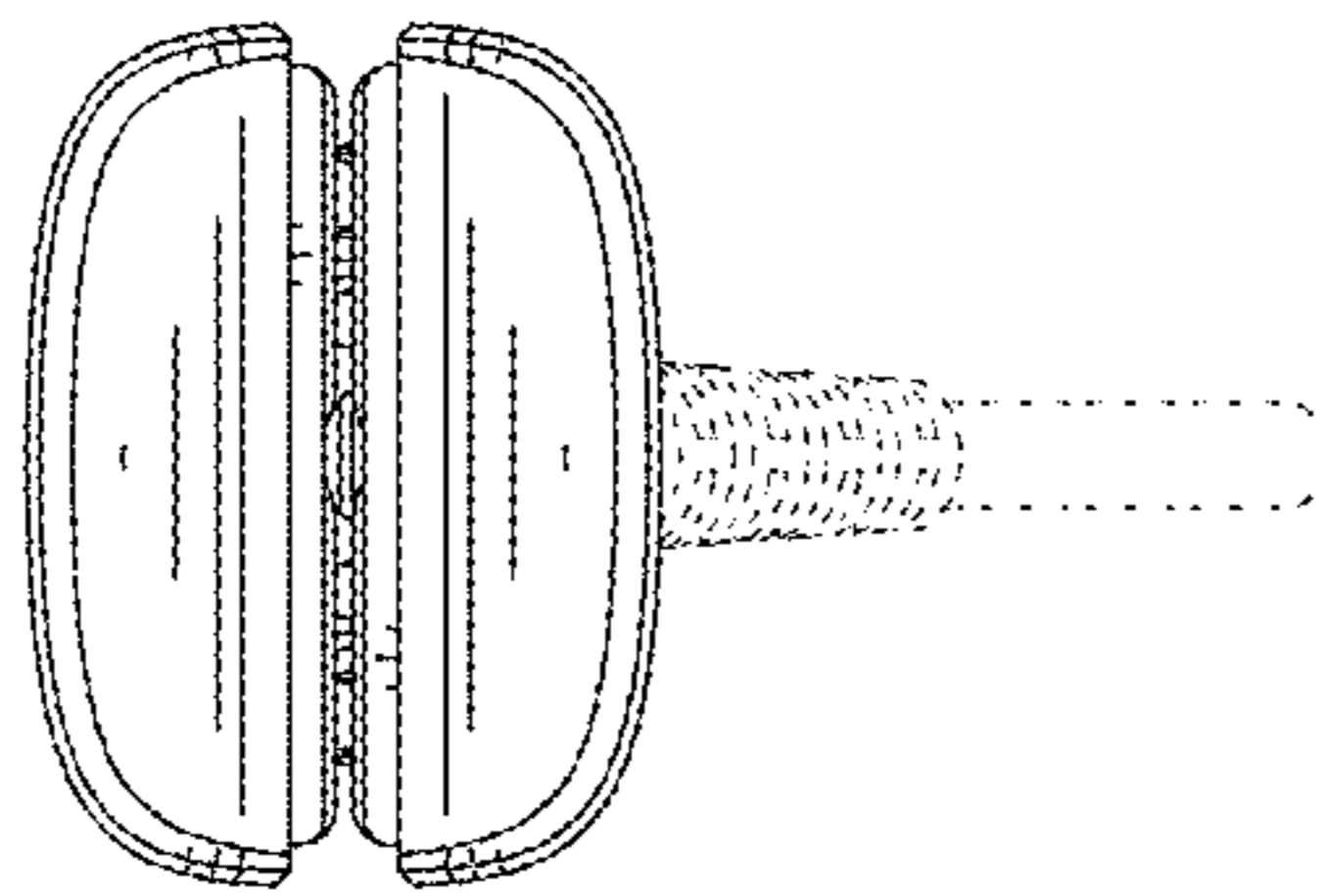


FIG. 5

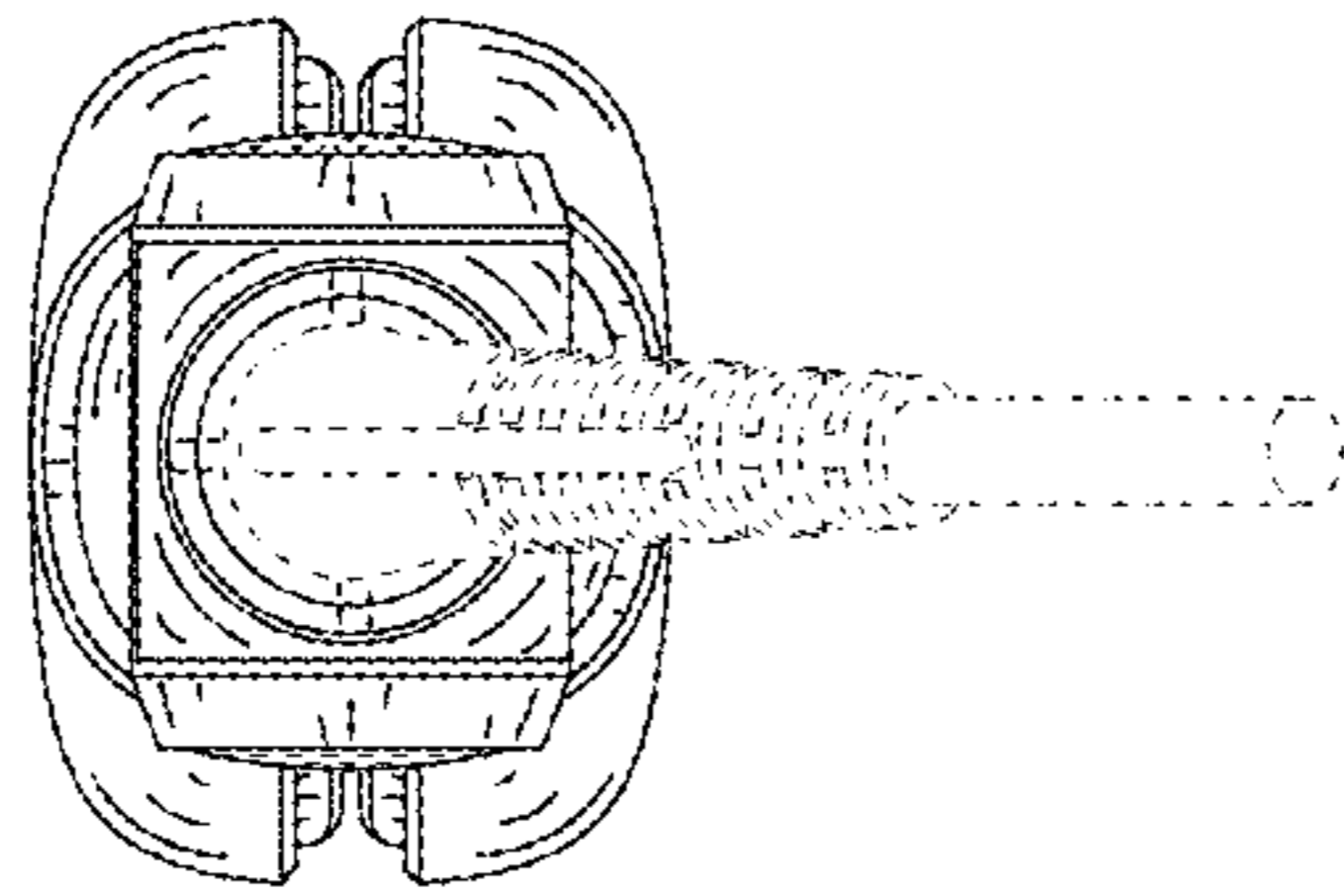


FIG. 6

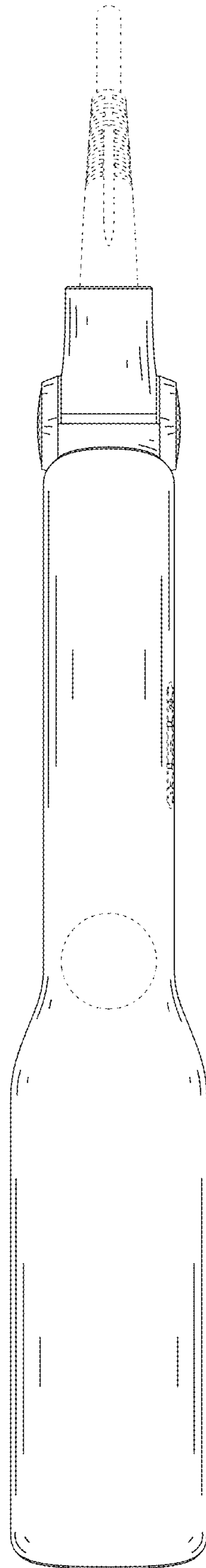


FIG. 7

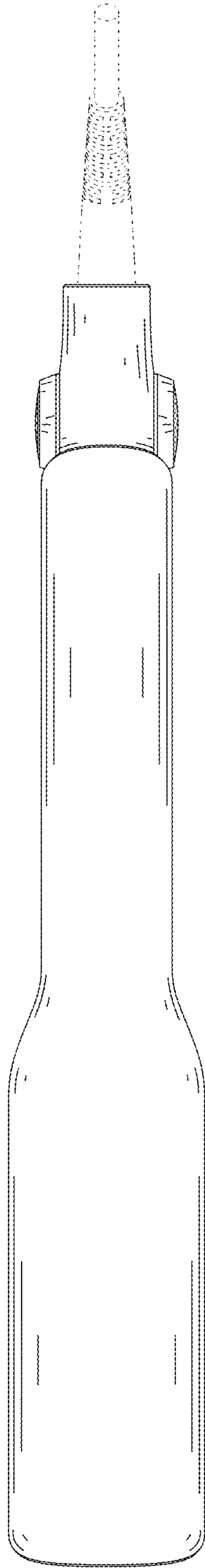


FIG. 8

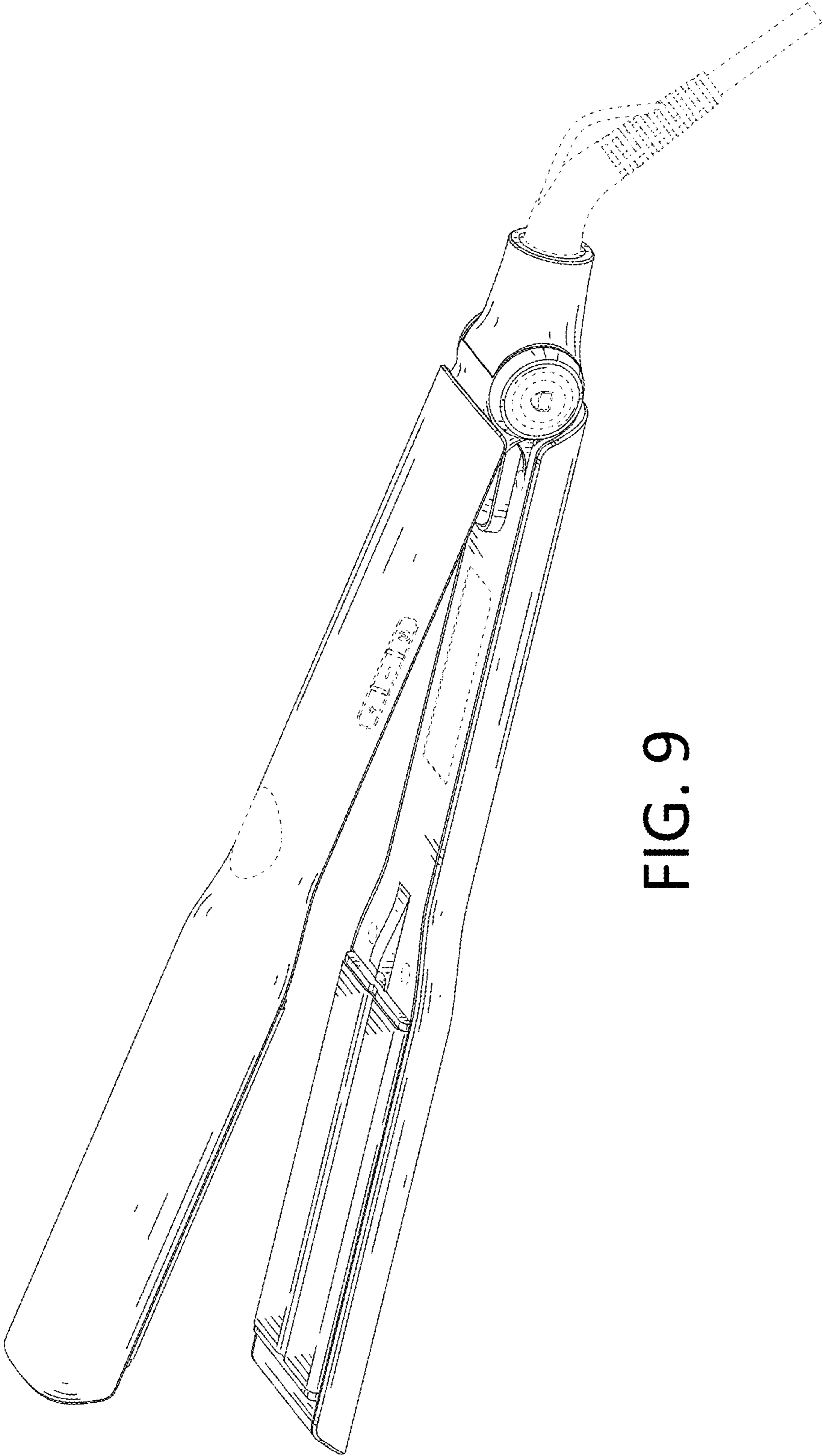


FIG. 9