



US00D965871S

(12) **United States Design Patent** (10) **Patent No.:** **US D965,871 S**
Orozco (45) **Date of Patent:** **** Oct. 4, 2022**

(54) **HAIR COMB**
(71) Applicant: **Joseph Orozco, Inc.**, Los Angeles, CA (US)
(72) Inventor: **Joseph Orozco**, Los Angeles, CA (US)
(**) Term: **15 Years**
(21) Appl. No.: **29/761,099**
(22) Filed: **Dec. 7, 2020**
(51) **LOC (13) Cl.** **28-03**
(52) **U.S. Cl.**
USPC **D28/21**
(58) **Field of Classification Search**
USPC D28/7, 20-34; D30/158, 159
CPC A45D 24/00; A45D 24/005; A45D 24/02;
A45D 24/04; A45D 24/06; A45D 24/14;
A45D 24/22
See application file for complete search history.

(56) **References Cited**
U.S. PATENT DOCUMENTS
D37,468 S * 6/1905 Grell D28/21
D43,567 S * 2/1913 Grell D28/21
1,088,588 A * 2/1914 Karr A45D 24/02
D28/21
D97,116 S * 10/1935 Carson D28/21

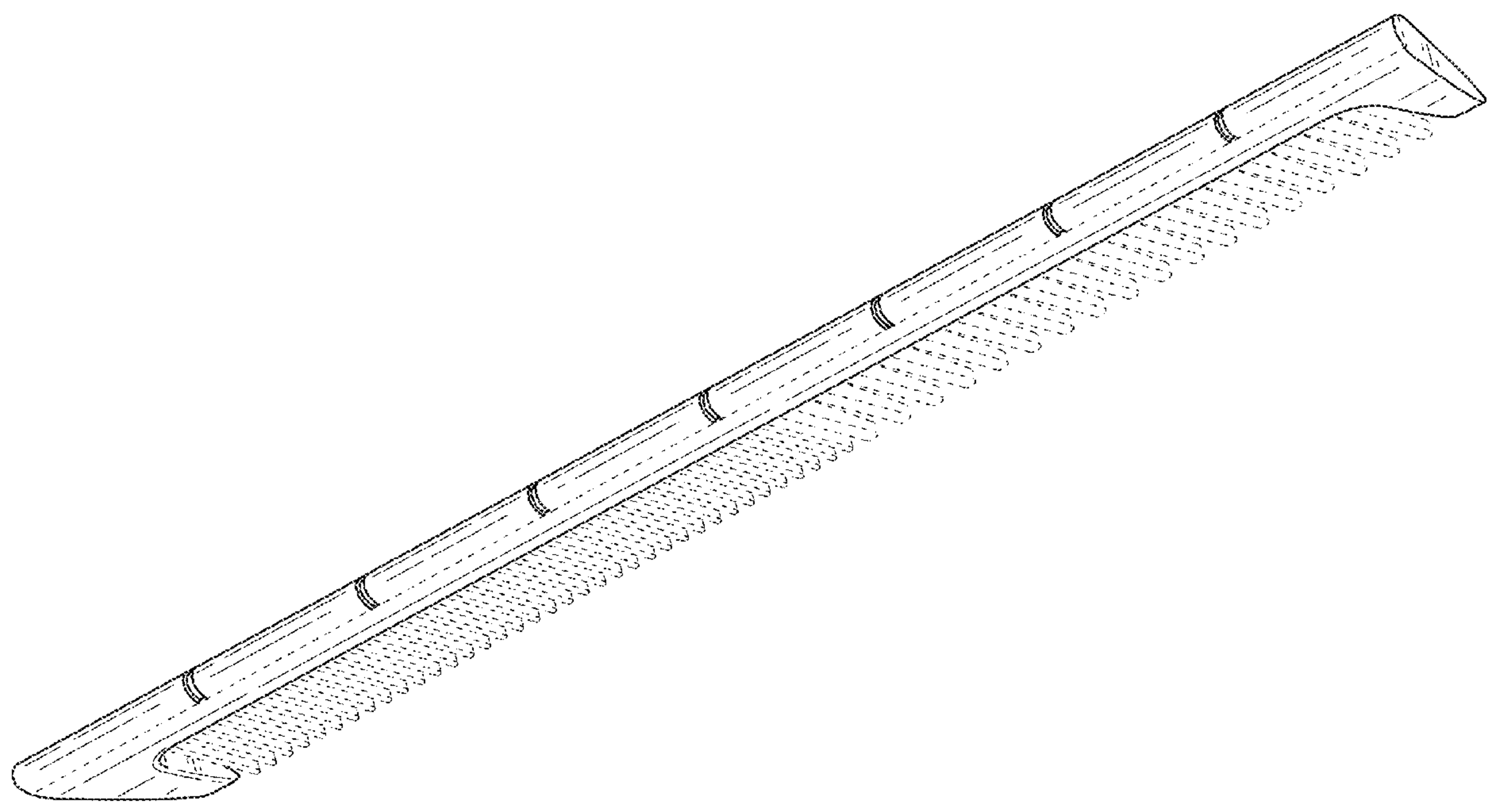
D143,972 S * 2/1946 Kahn D28/21
D149,393 S * 4/1948 Wheeler D10/70
D162,519 S * 3/1951 Collins D28/21
D403,809 S * 1/1999 Stephens D28/21
D406,391 S * 3/1999 Lucero D28/21
D559,444 S * 1/2008 Chudzik D28/21

* cited by examiner
Primary Examiner — Zenia I Bennett
(74) *Attorney, Agent, or Firm* — Boyle Fredrickson, S.C.

(57) **CLAIM**
The ornamental design of a hair comb, as shown and described.

DESCRIPTION
FIG. 1 is a perspective view of the comb of the claimed design viewed from the front, below, and right side thereof; FIG. 2 is perspective view from the front, above and the right side of the comb of FIG. 1; FIG. 3 is a front elevational view of the comb of FIG. 1; FIG. 4 is a rear elevational view of the comb of FIG. 1; FIG. 5 is a left side elevational view of the comb of FIG. 1; FIG. 6 is right side elevational view of the comb of FIG. 1; FIG. 7 is a top plan view of the comb of FIG. 1; and, FIG. 8 is a bottom plan view of the comb of FIG. 1. The broken lines in FIGS. 1-8 are for illustrative purposes only and represent environmental structure and unclaimed portions of the invention and therefore form no part of the claimed design.

1 Claim, 4 Drawing Sheets



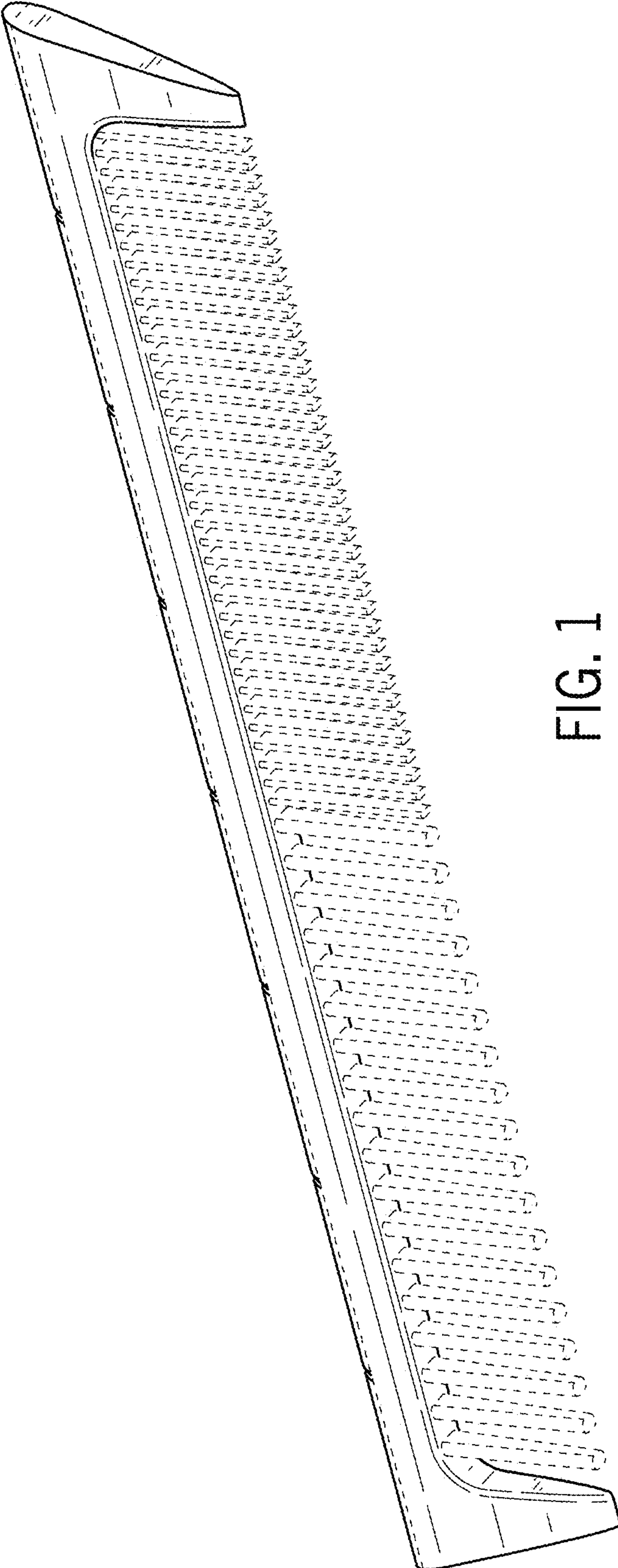


FIG. 1

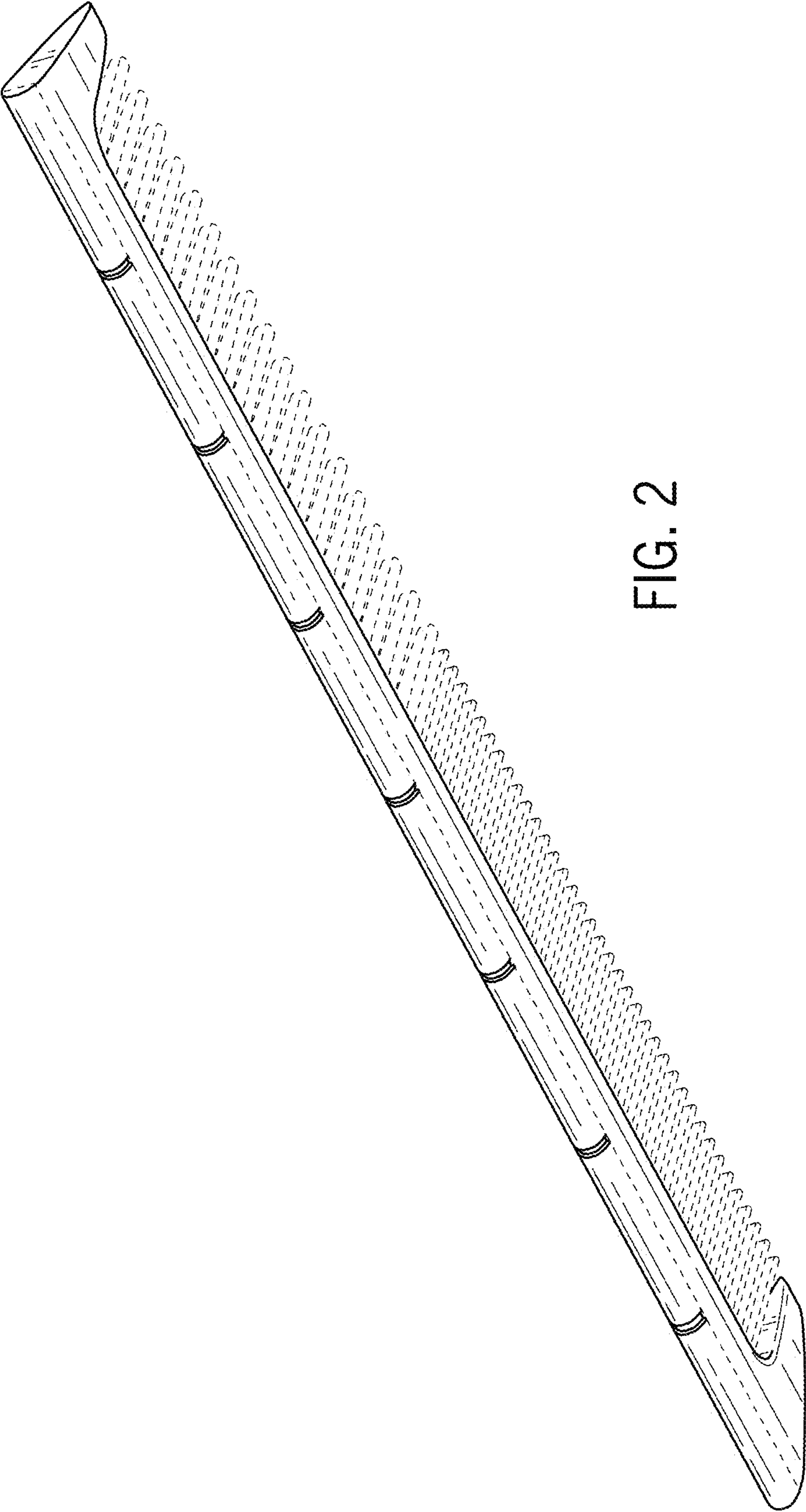


FIG. 2

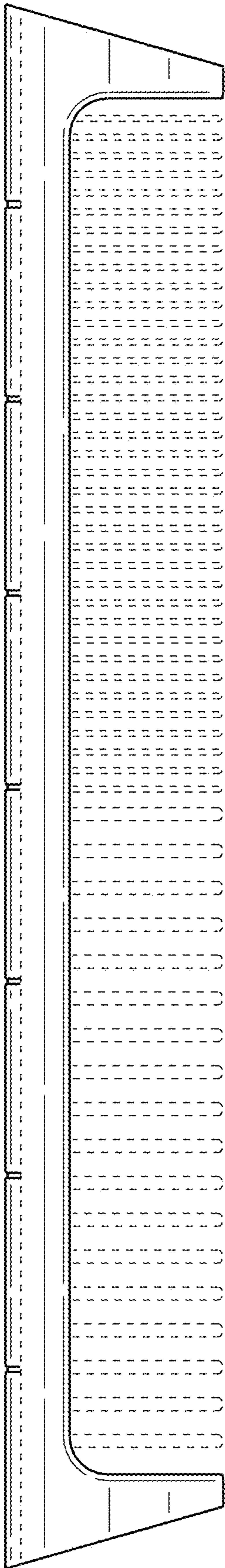


FIG. 3

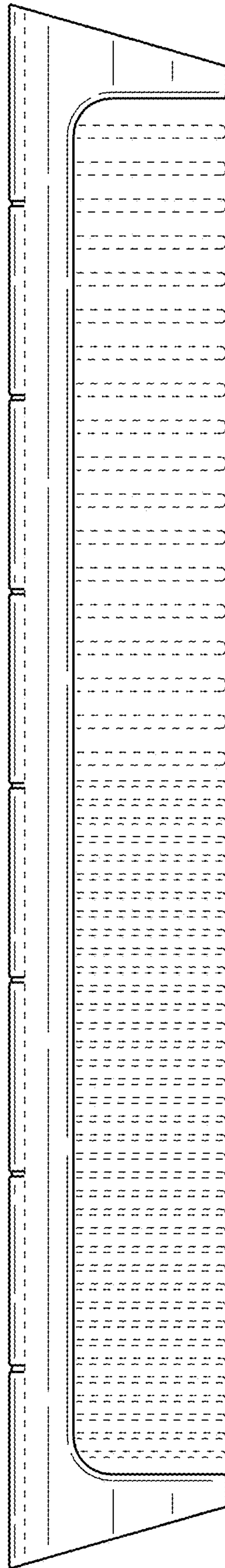


FIG. 4

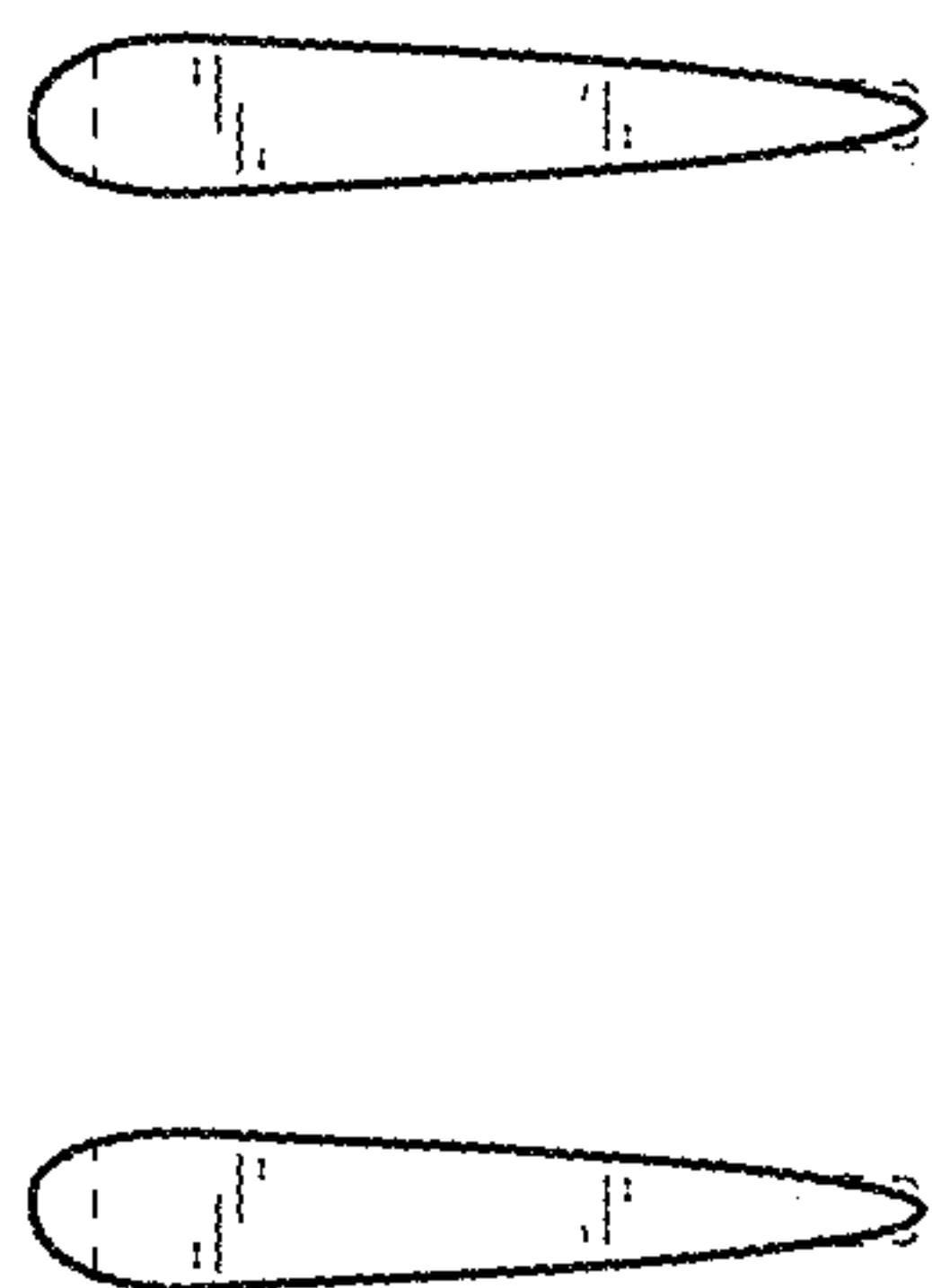


FIG. 5 FIG. 6



FIG. 7

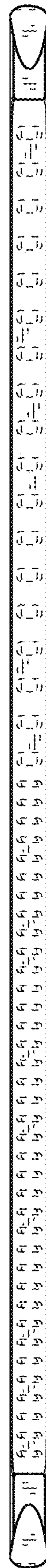


FIG. 8