



US00D965870S

(12) **United States Design Patent**
Huang

(10) **Patent No.:** **US D965,870 S**

(45) **Date of Patent:** **** Oct. 4, 2022**

- (54) **HANDLE OF HAIR DRIER**
- (71) Applicant: **GUANGDONG HUANENGDA ELECTRICAL APPLIANCES CO., LTD, Jieyang (CN)**
- (72) Inventor: **Minxun Huang, Jieyang (CN)**
- (73) Assignee: **GUANGDONG HUANENGDA ELECTRICAL APPLIANCES CO., LTD, Jieyang (CN)**
- (**) Term: **15 Years**
- (21) Appl. No.: **29/822,115**
- (22) Filed: **Jan. 6, 2022**
- (51) **LOC (13) Cl.** **28-03**
- (52) **U.S. Cl.**
USPC **D28/18**
- (58) **Field of Classification Search**
USPC D28/12-19; D8/29.1
CPC A45D 20/00; A45D 20/04; A45D 20/08;
A45D 20/10; A45D 20/12; A45D
2020/128
See application file for complete search history.

D898,281 S *	10/2020	Yang	D28/13
D910,915 S *	2/2021	Shin	D28/13
D912,314 S *	3/2021	Shin	D28/13
D912,315 S	3/2021	Shin et al.		
D919,175 S	5/2021	Yu et al.		
D925,825 S *	7/2021	Lo	D28/13
D926,370 S *	7/2021	Sun	D28/13
D927,064 S *	8/2021	Shin	D28/18
D934,496 S *	10/2021	Huang	D28/13
D954,345 S *	6/2022	Ye	D28/13

* cited by examiner

Primary Examiner — Zenia I Bennett

(57) **CLAIM**

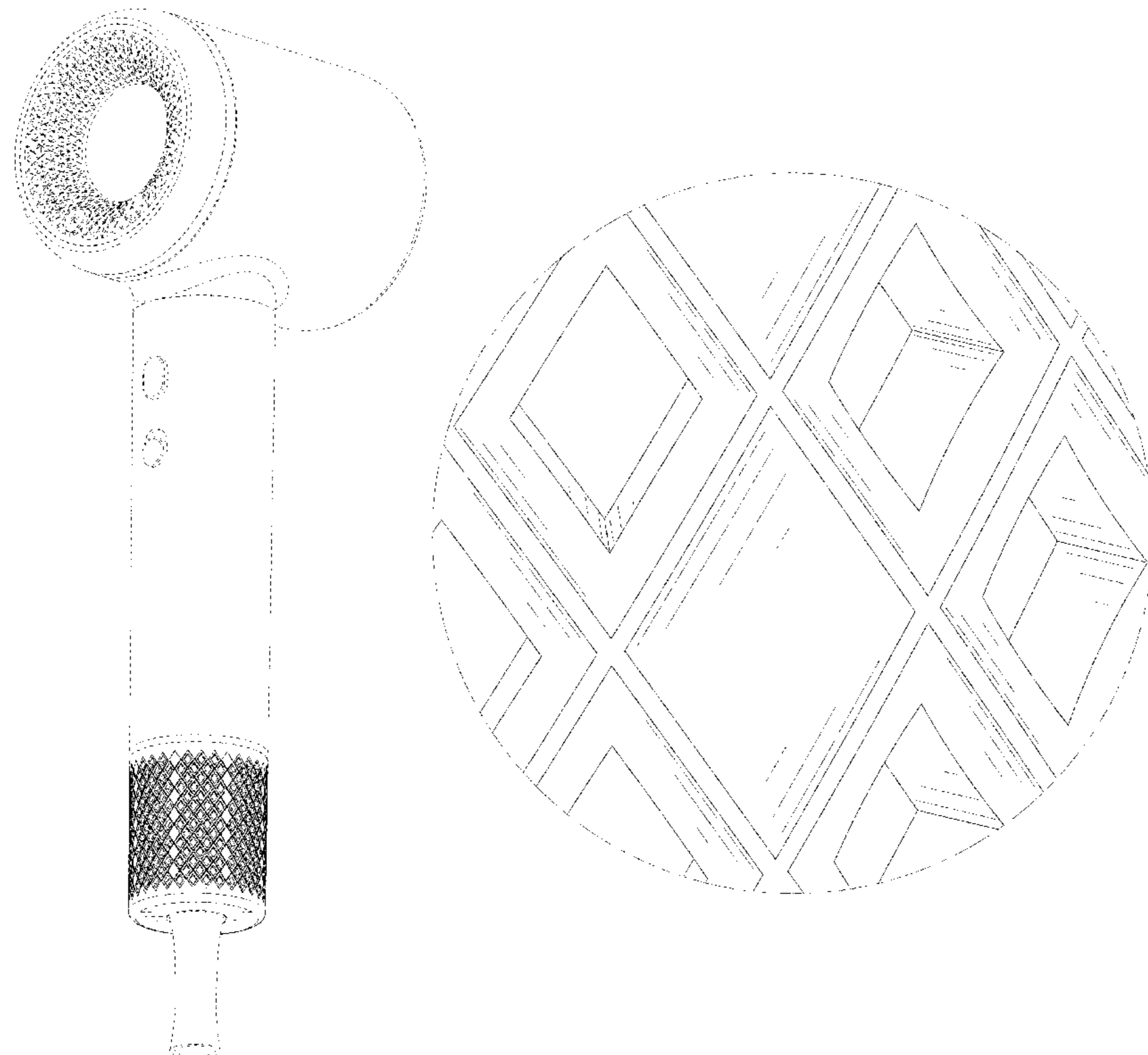
The ornamental design for a handle of hair drier, as shown and described.

DESCRIPTION

FIG. 1 is a perspective view of a handle of hair drier showing my new design;
 FIG. 2 is another perspective view thereof;
 FIG. 3 is a front elevational view thereof;
 FIG. 4 is a rear elevational view thereof;
 FIG. 5 is a left side elevational view thereof;
 FIG. 6 is a right side elevational view thereof;
 FIG. 7 is a top plan view thereof;
 FIG. 8 is a bottom plan view thereof; and,
 FIG. 9 is an enlarged view of portion 9 shown in FIG. 1.
 The dash-dash broken lines in the drawings depict portions of the handle of hair drier that form no part of the claimed design. The dot-dash broken lines represent boundaries of the enlarged portion and form no part of the claimed design.

1 Claim, 9 Drawing Sheets

- (56) **References Cited**
U.S. PATENT DOCUMENTS
D715,996 S * 10/2014 Dyson A45D 20/12
D28/13
D850,716 S * 6/2019 Jin D28/13
D853,637 S * 7/2019 Coulton D28/18



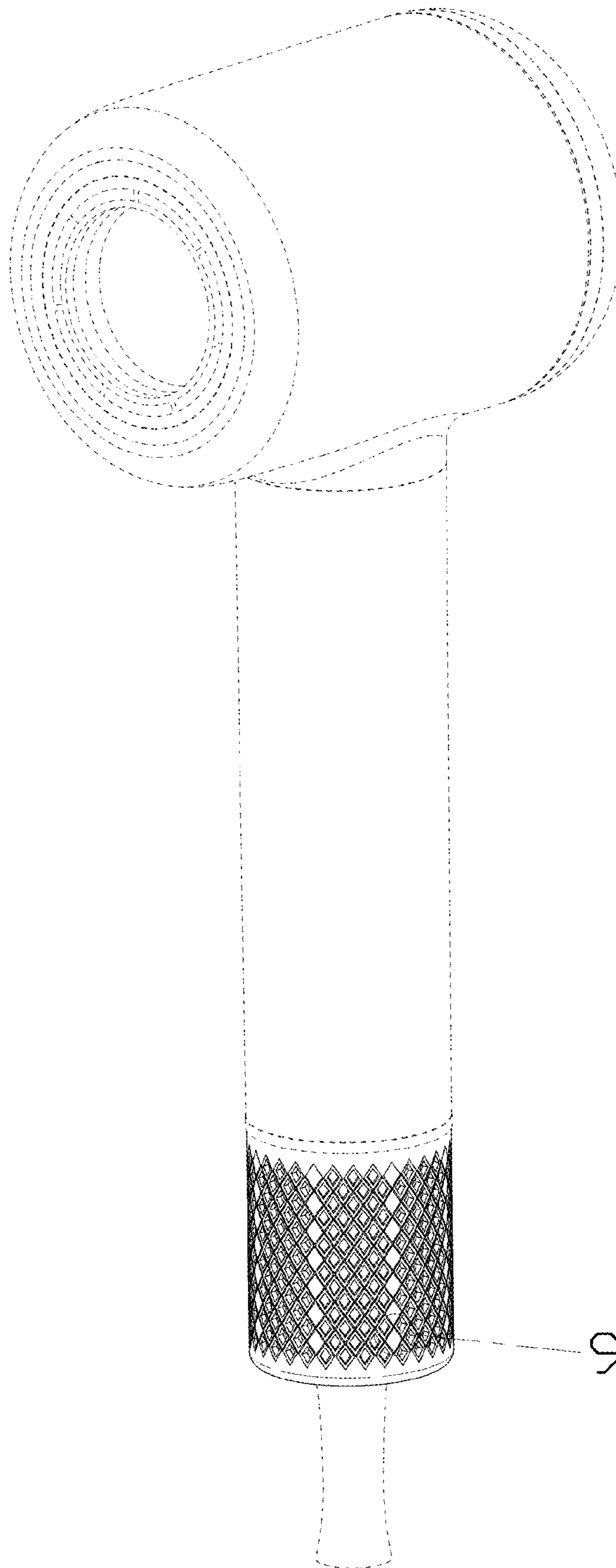


FIG. 1

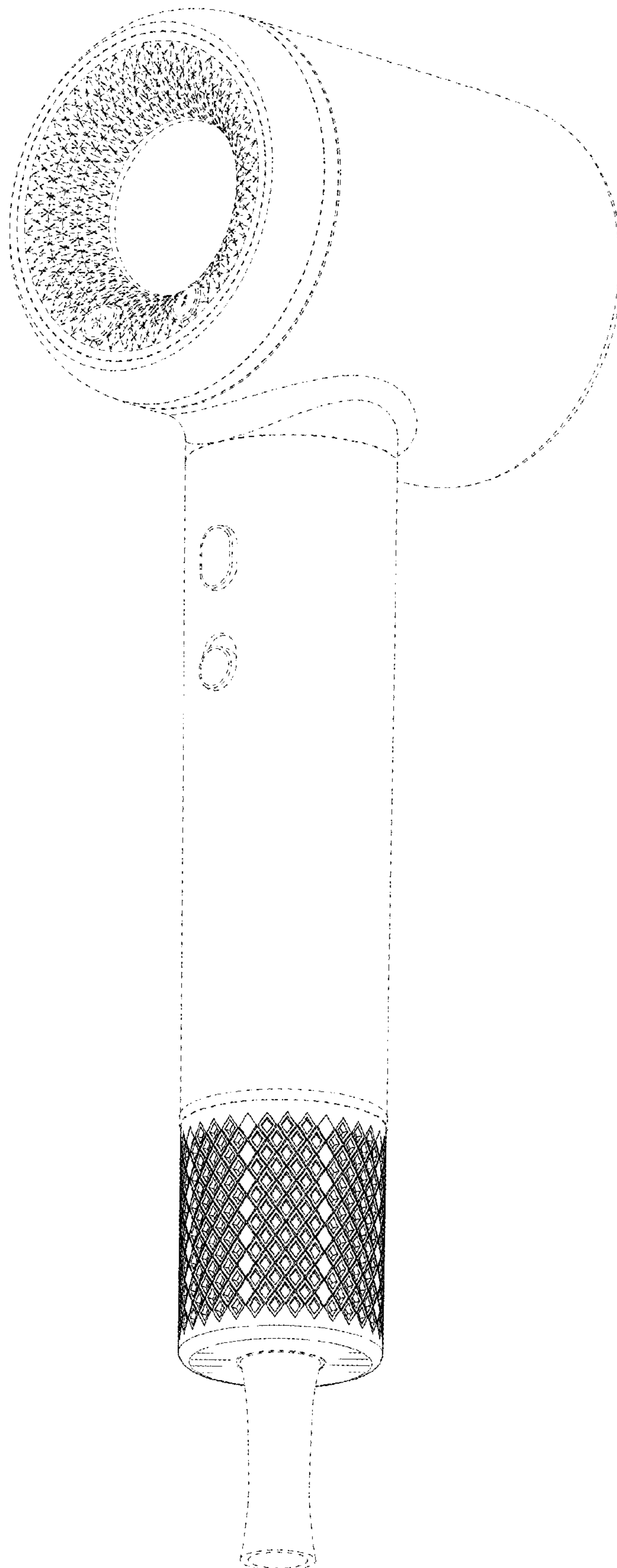


FIG. 2

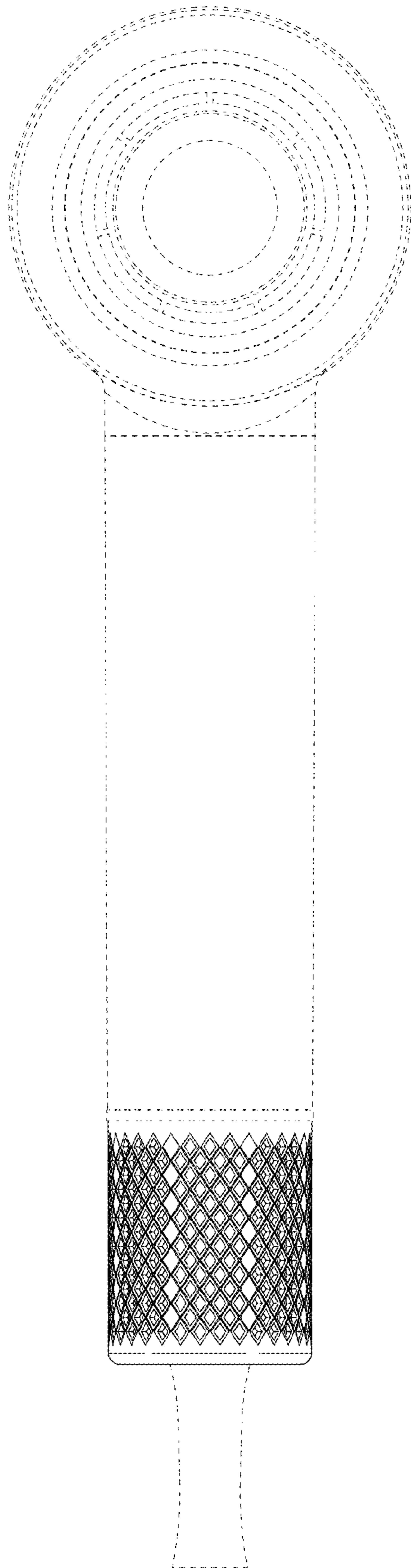


FIG. 3

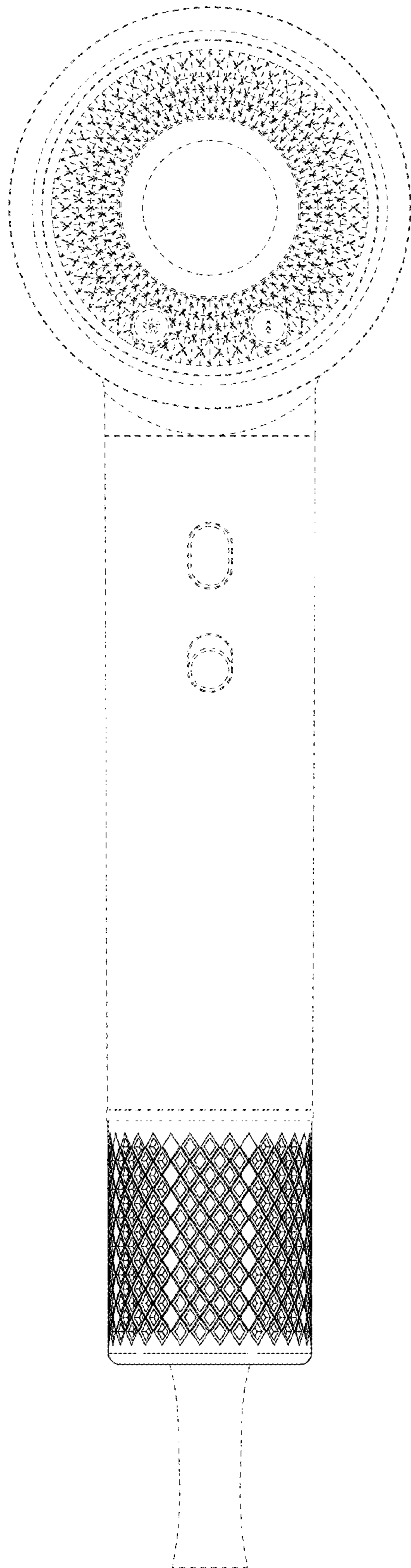


FIG. 4

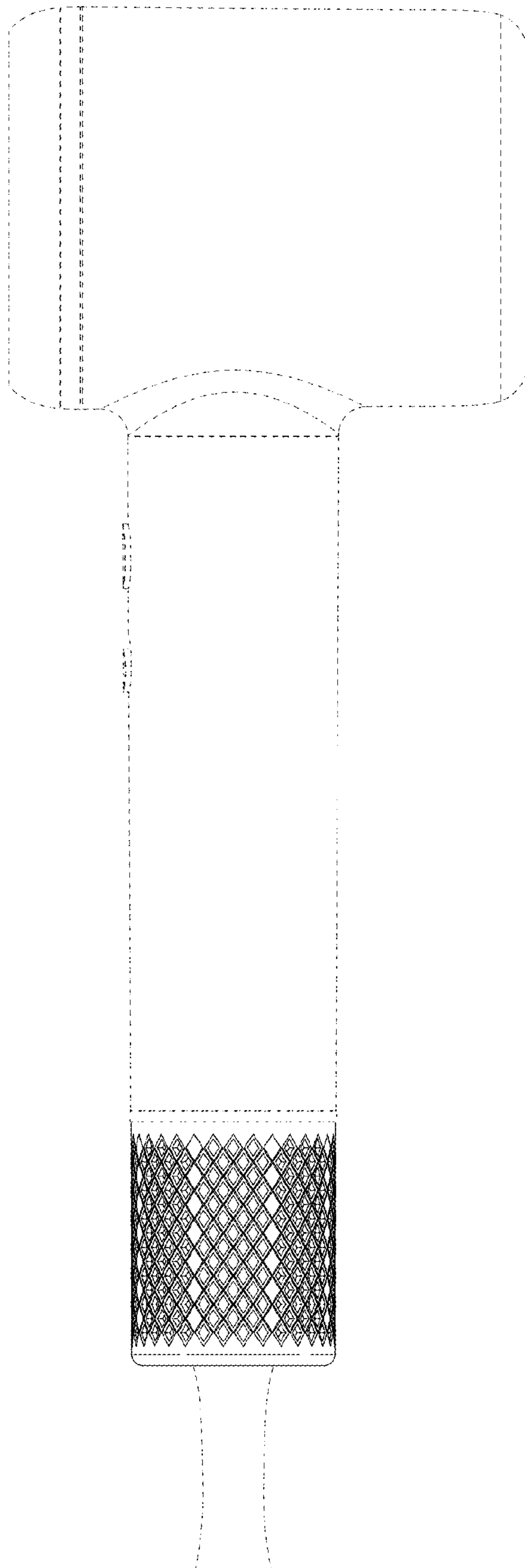


FIG. 5

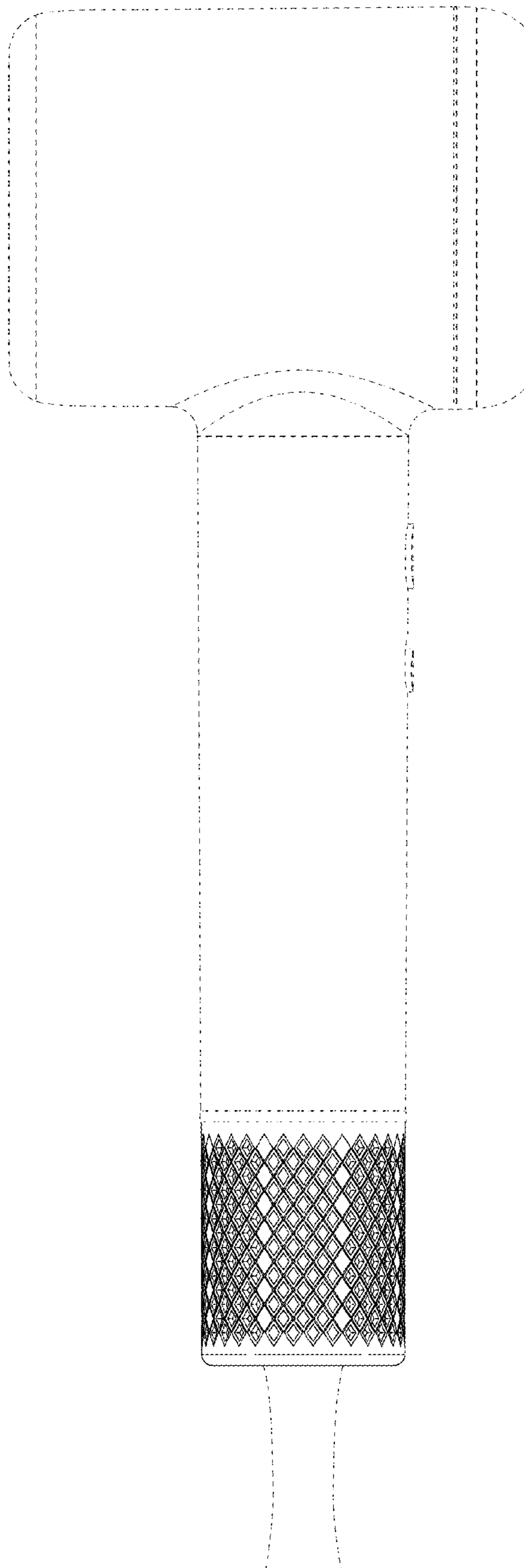


FIG. 6



FIG. 7

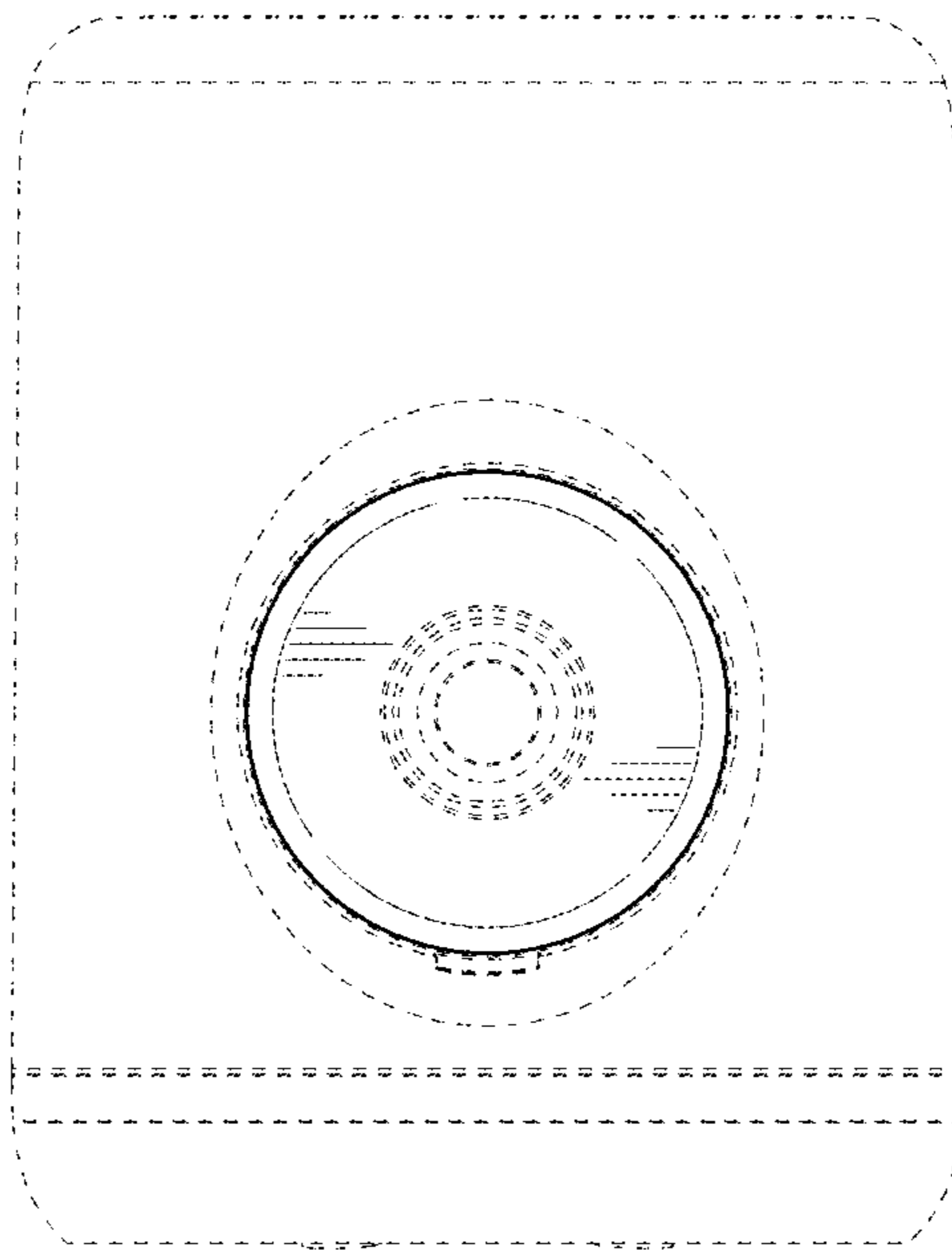


FIG. 8

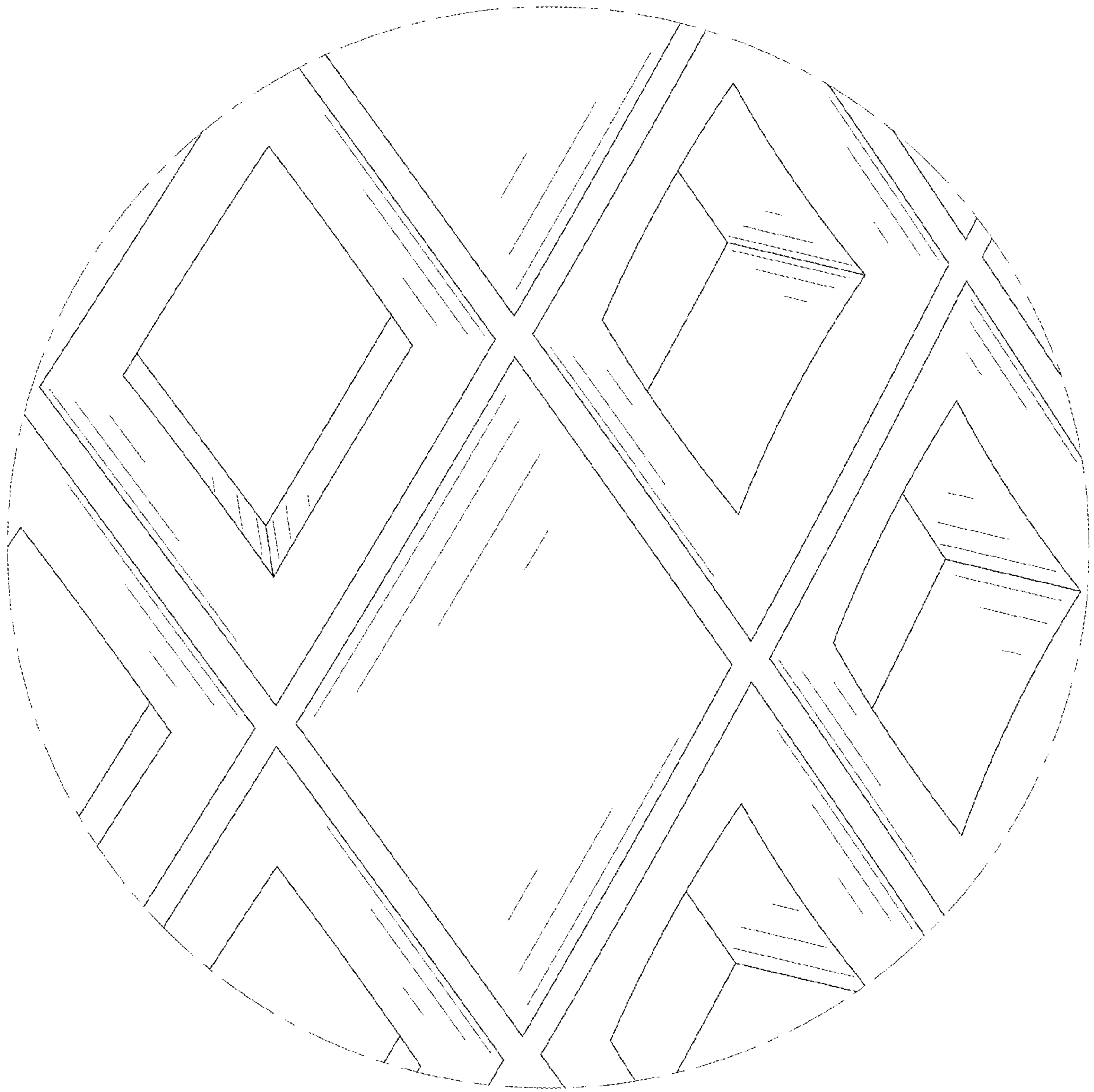


FIG. 9