



US00D965869S

(12) **United States Design Patent**
Huang et al.

(10) **Patent No.:** **US D965,869 S**

(45) **Date of Patent:** **** Oct. 4, 2022**

(54) **HAIR DRYER**

(71) Applicant: **GUANGDONG HUANENGDA ELECTRICAL APPLIANCES CO., LTD**, Jieyang (CN)

(72) Inventors: **Minxun Huang**, Jieyang (CN); **Guiyong Yan**, Shenzhen (CN)

(73) Assignee: **GUANGDONG HUANENGDA ELECTRICAL APPLIANCES CO., LTD**, Jieyang (CN)

(**) Term: **15 Years**

(21) Appl. No.: **29/838,909**

(22) Filed: **May 17, 2022**

(51) **LOC (13) Cl.** **28-03**

(52) **U.S. Cl.**
USPC **D28/13**

(58) **Field of Classification Search**
USPC D28/12-19; D8/29.1
CPC A45D 20/00; A45D 20/04; A45D 20/08;
A45D 20/10; A45D 20/12; A45D
2020/128
See application file for complete search history.

(56) **References Cited**

U.S. PATENT DOCUMENTS

D791,407 S * 7/2017 Smith D28/13
D850,000 S 5/2019 Chen

D884,965 S * 5/2020 Liu D28/13
D898,281 S * 10/2020 Yang D28/13
D925,825 S * 7/2021 Lo D28/13
D926,370 S * 7/2021 Sun D28/13
D934,496 S * 10/2021 Huang D28/13
D952,248 S * 5/2022 Lei D28/13
D954,345 S * 6/2022 Ye D28/13

* cited by examiner

Primary Examiner — Zenia I Bennett

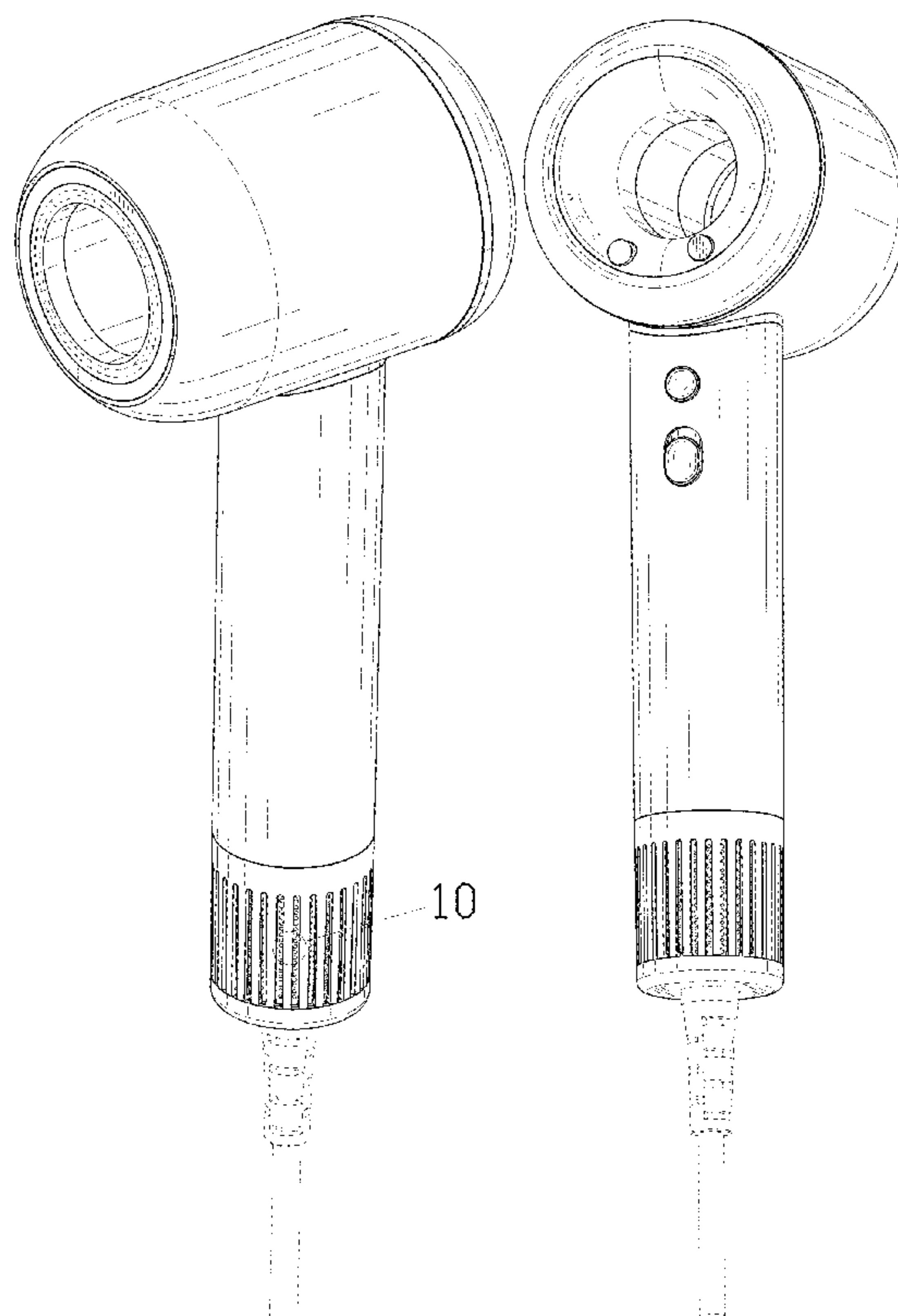
(57) **CLAIM**

The ornamental design for a hair dryer, as shown and described.

DESCRIPTION

FIG. 1 is a perspective view of a hair dryer showing our new design;
FIG. 2 is another perspective view thereof;
FIG. 3 is a front elevational view thereof;
FIG. 4 is a rear elevational view thereof;
FIG. 5 is a left side elevational view thereof;
FIG. 6 is a right side elevational view thereof;
FIG. 7 is a top plan view thereof;
FIG. 8 is a bottom plan view thereof;
FIG. 9 is a perspective view of the hair dryer where a cover is assembled with the hair dryer; and,
FIG. 10 is an enlarged view of portion 10 shown in FIG. 1. The dash-dash broken lines in the drawings depict portions of the hair dryer that form no part of the claimed design. The dot-dash broken lines represent the boundary of the enlarged portion and form no part of the claimed design.

1 Claim, 10 Drawing Sheets



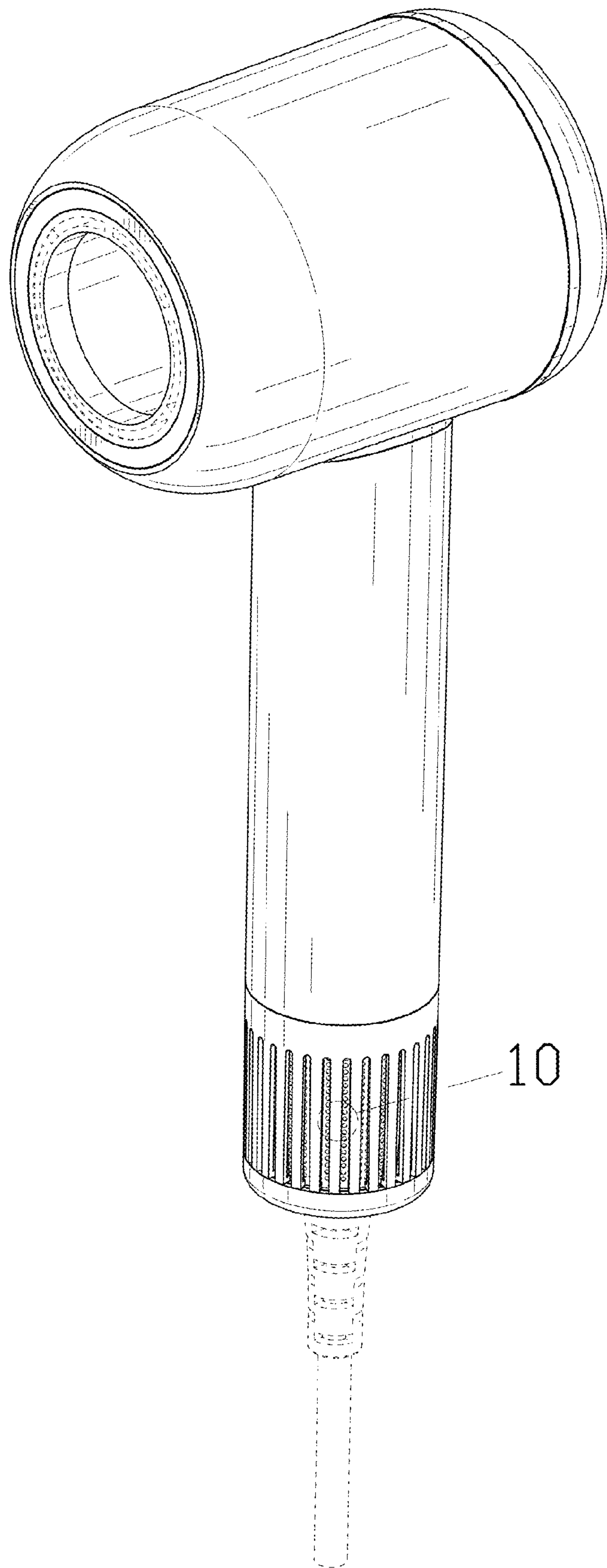


FIG. 1

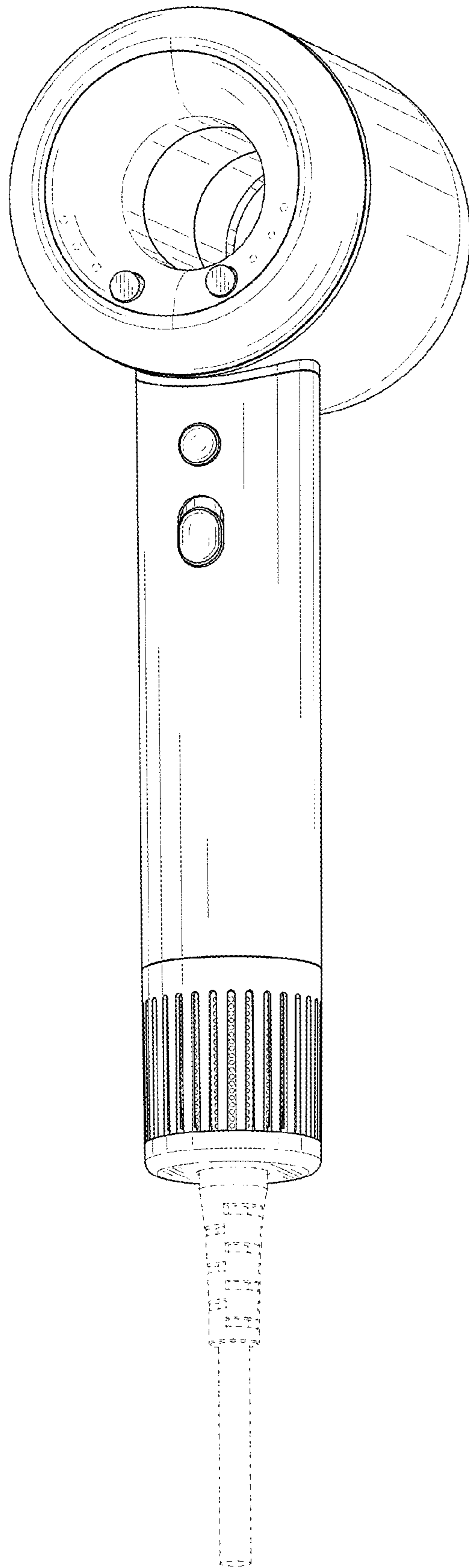


FIG. 2

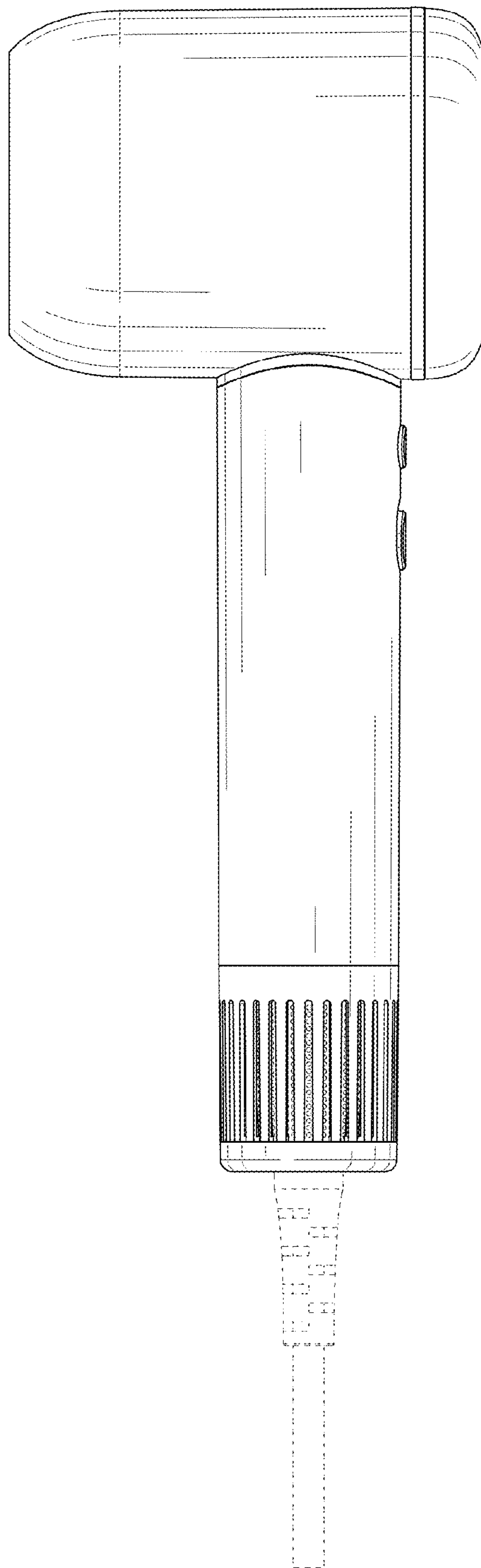


FIG. 3

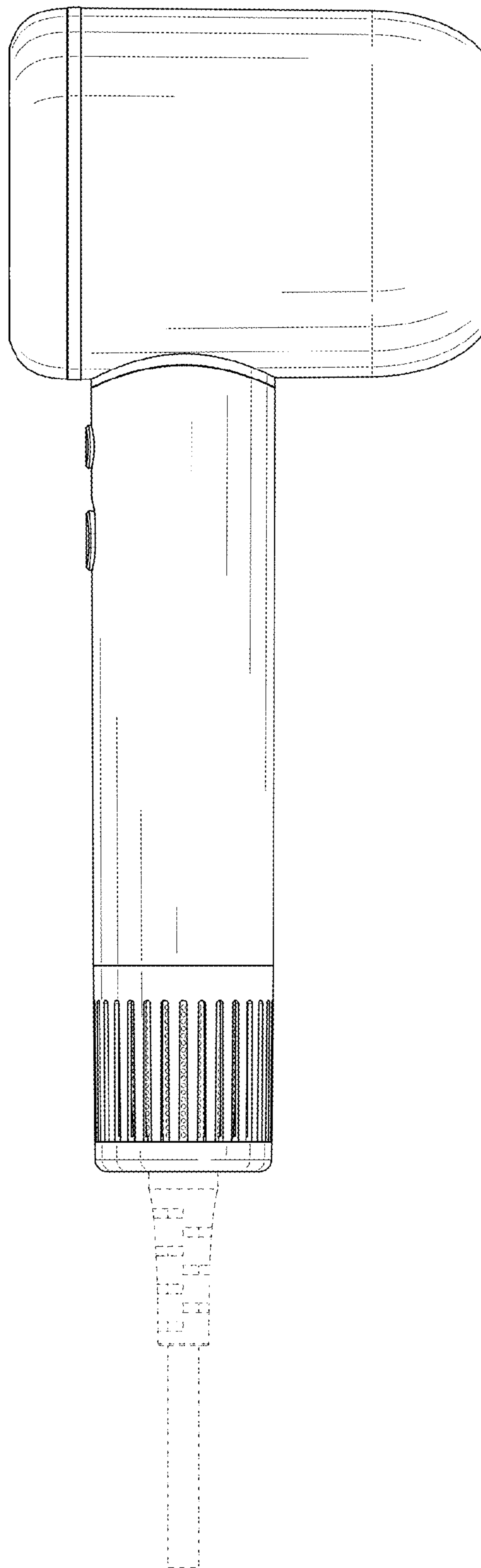


FIG. 4

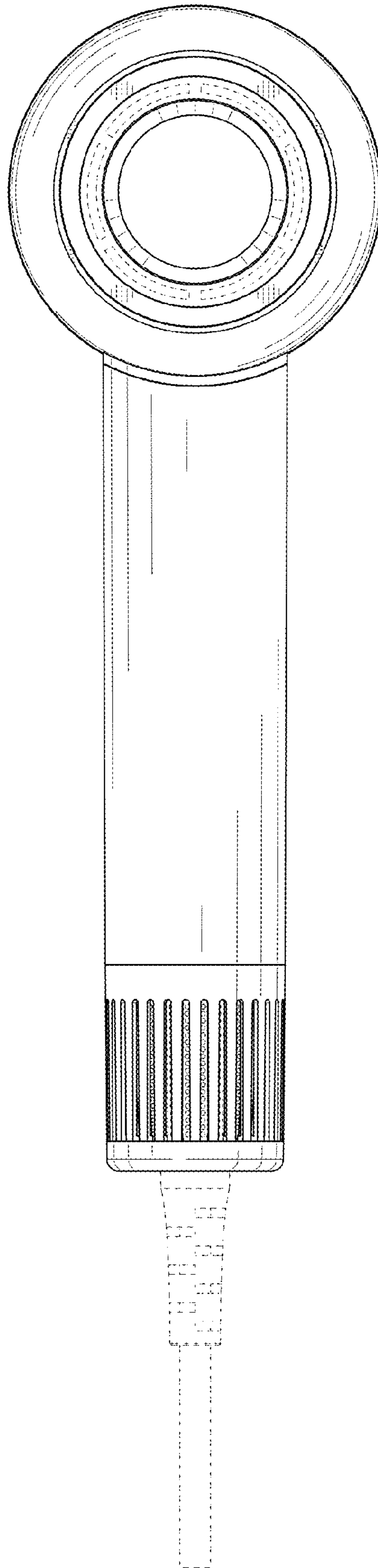


FIG. 5

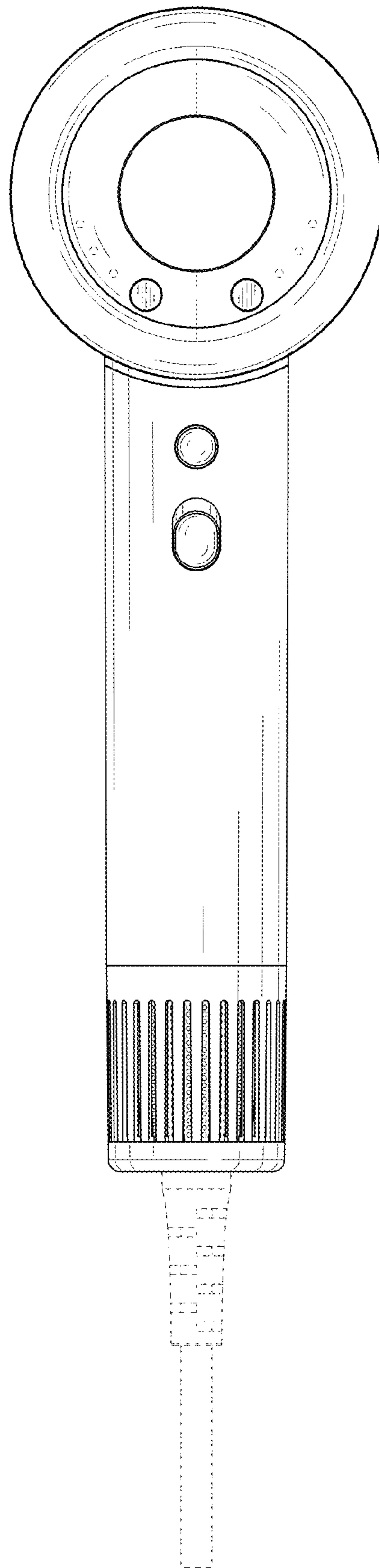


FIG. 6

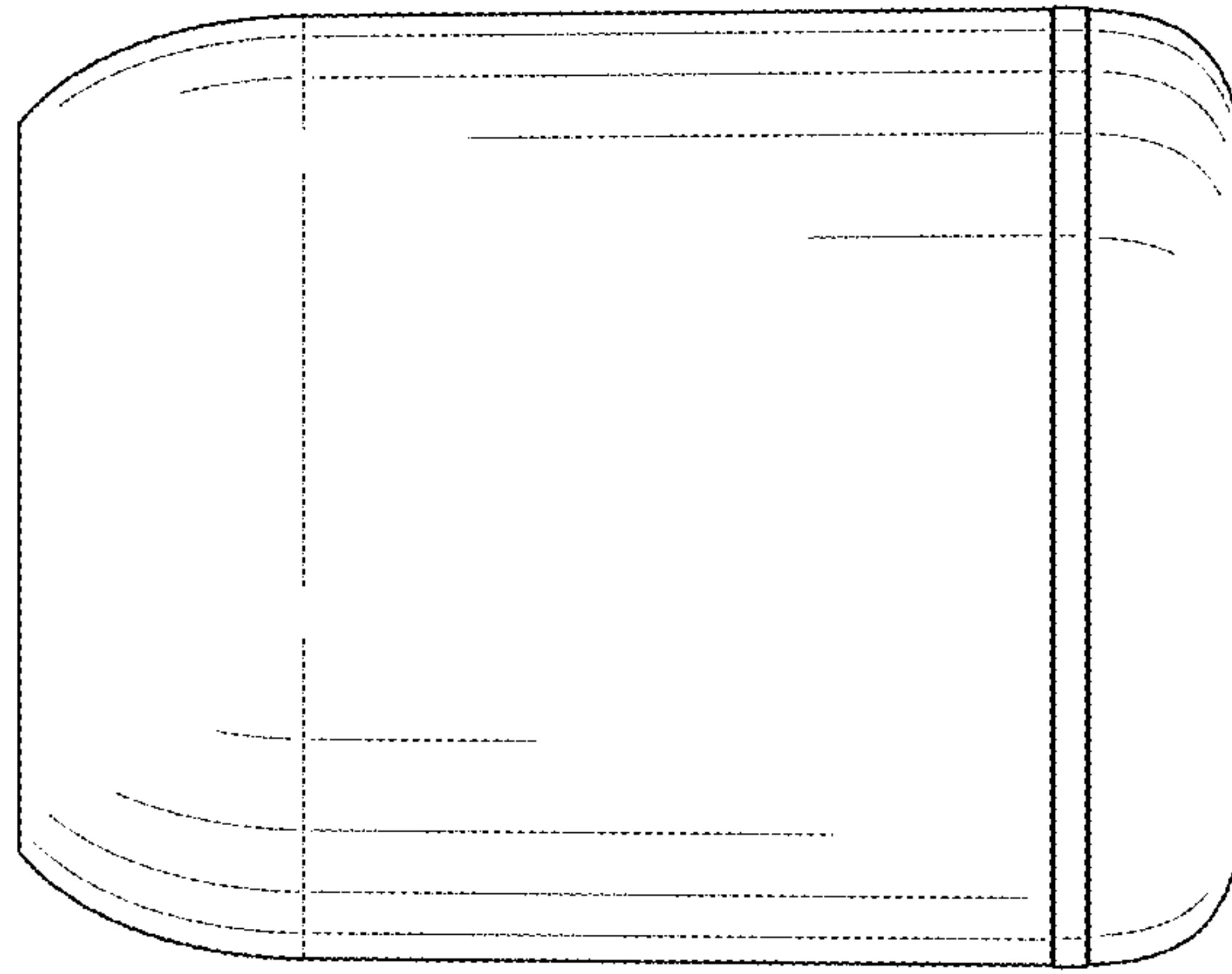


FIG. 7

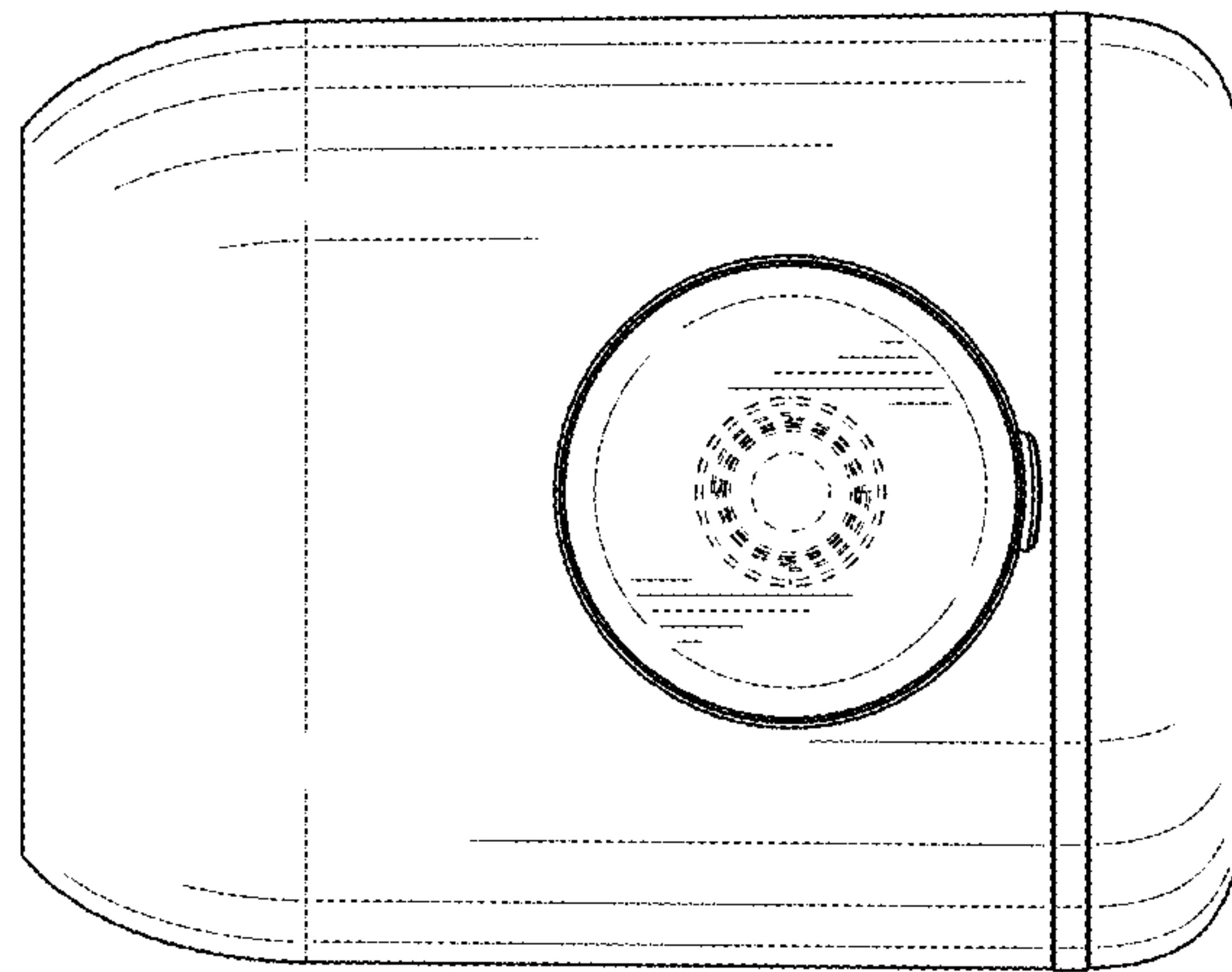


FIG. 8

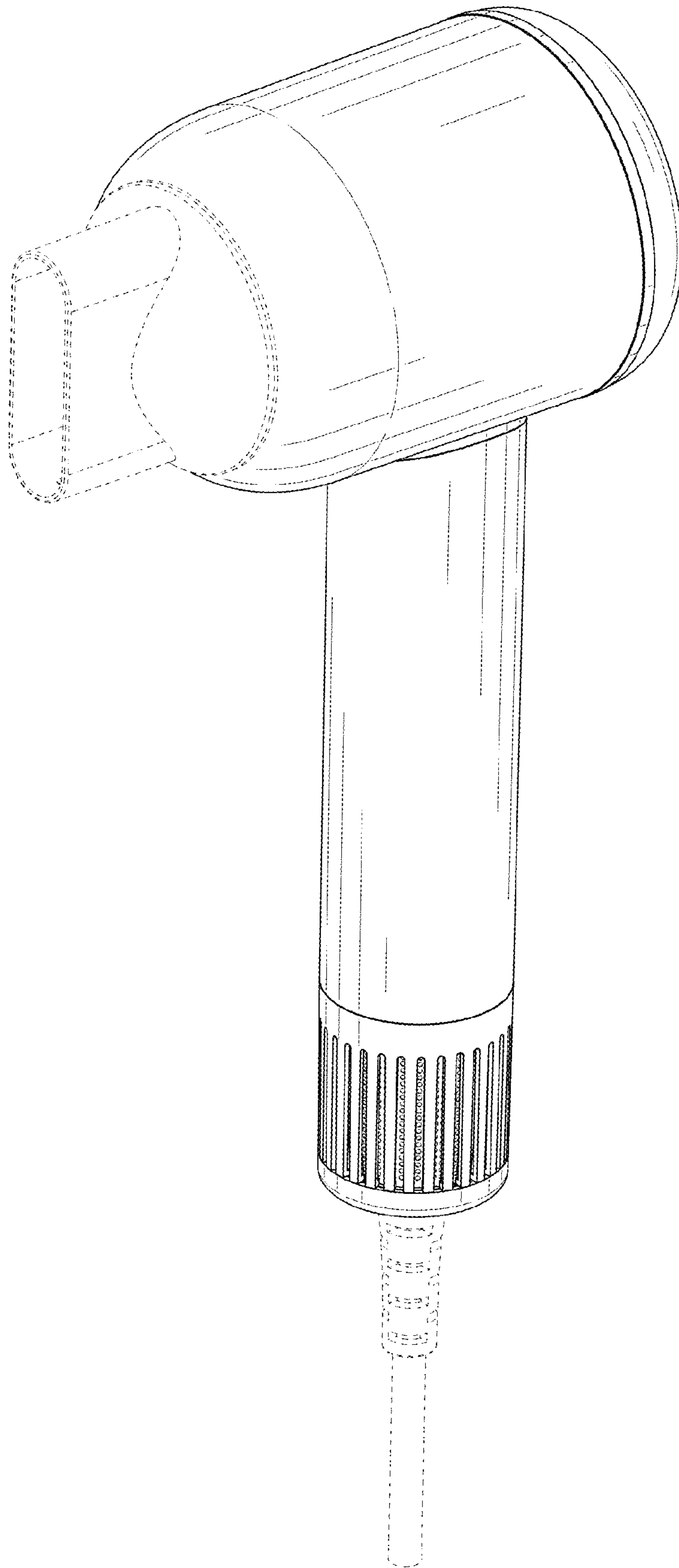


FIG. 9

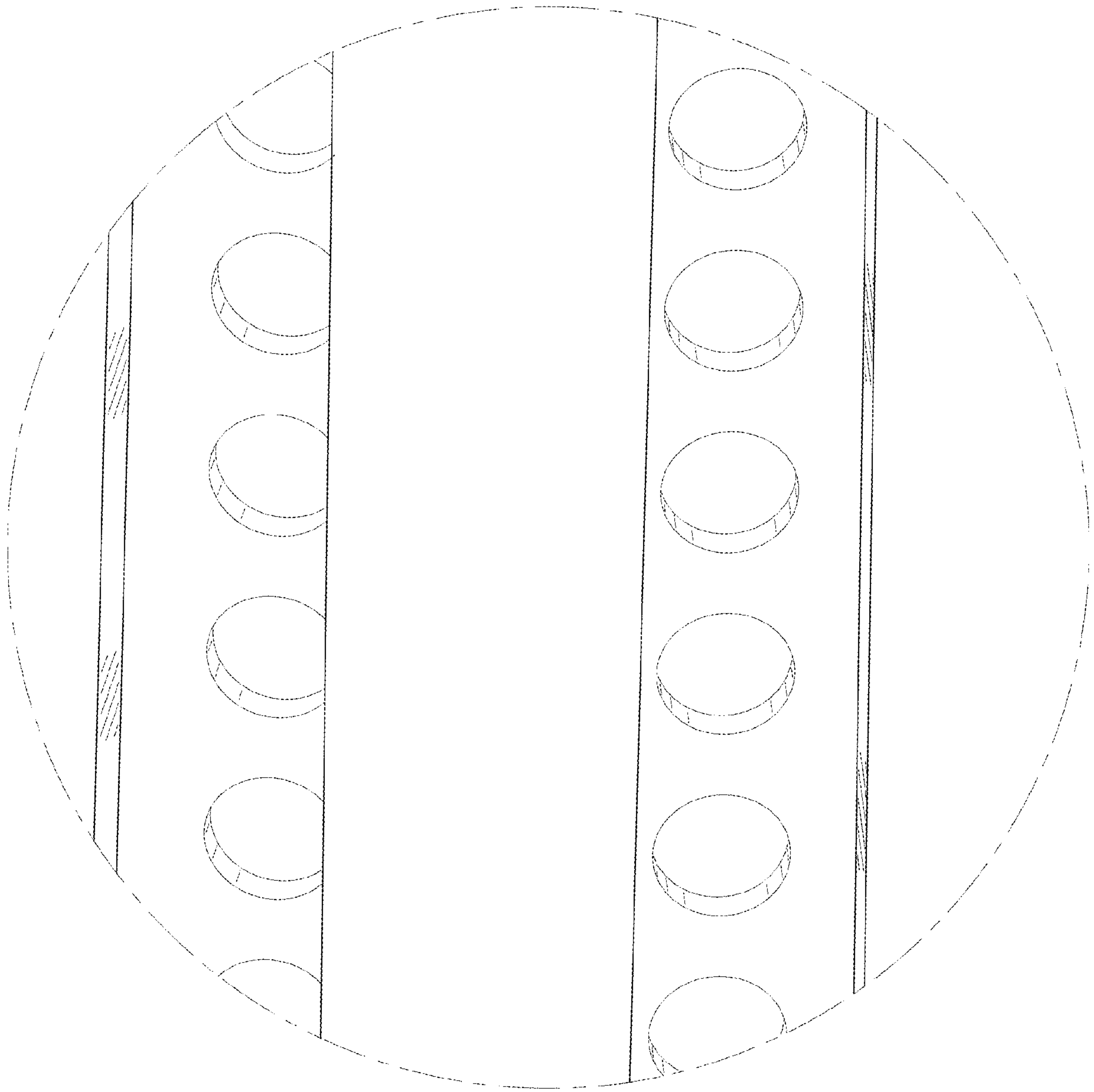


FIG. 10