



US00D965866S

(12) **United States Design Patent**  
**Huang**

(10) **Patent No.:** **US D965,866 S**  
(45) **Date of Patent:** **\*\* Oct. 4, 2022**

(54) **HAIR DRIER**

(71) Applicant: **GUANGDONG HUANENGDA  
ELECTRICAL APPLIANCES CO.,  
LTD, Jieyang (CN)**

(72) Inventor: **Minxun Huang, Jieyang (CN)**

(73) Assignee: **GUANGDONG HUANENGDA  
ELECTRICAL APPLIANCES CO.,  
LTD, Jieyang (CN)**

(\*\*) Term: **15 Years**

(21) Appl. No.: **29/822,108**

(22) Filed: **Jan. 6, 2022**

(51) **LOC (13) Cl.** ..... **28-03**

(52) **U.S. Cl.**  
USPC ..... **D28/13**

(58) **Field of Classification Search**  
USPC ..... D28/12-19; D8/29.1  
CPC ..... A45D 20/00; A45D 20/04; A45D 20/08;  
A45D 20/10; A45D 20/12; A45D  
2020/128  
See application file for complete search history.

(56) **References Cited**

**U.S. PATENT DOCUMENTS**

D791,407 S	*	7/2017	Smith	.....	D28/13
D884,965 S	*	5/2020	Liu	.....	D28/13
D893,097 S	*	8/2020	Huang	.....	D28/13
D898,281 S	*	10/2020	Yang	.....	D28/13
D912,314 S	*	3/2021	Shin	.....	D28/13

D912,315 S		3/2021	Shin et al.	
D919,175 S		5/2021	Yu et al.	
D925,825 S	*	7/2021	Lo	..... D28/13
D926,370 S	*	7/2021	Sun	..... D28/13
D934,496 S	*	10/2021	Huang	..... D28/13
D952,248 S	*	5/2022	Lei	..... D28/13
D954,345 S	*	6/2022	Ye	..... D28/13

\* cited by examiner

*Primary Examiner* — Zenia I Bennett

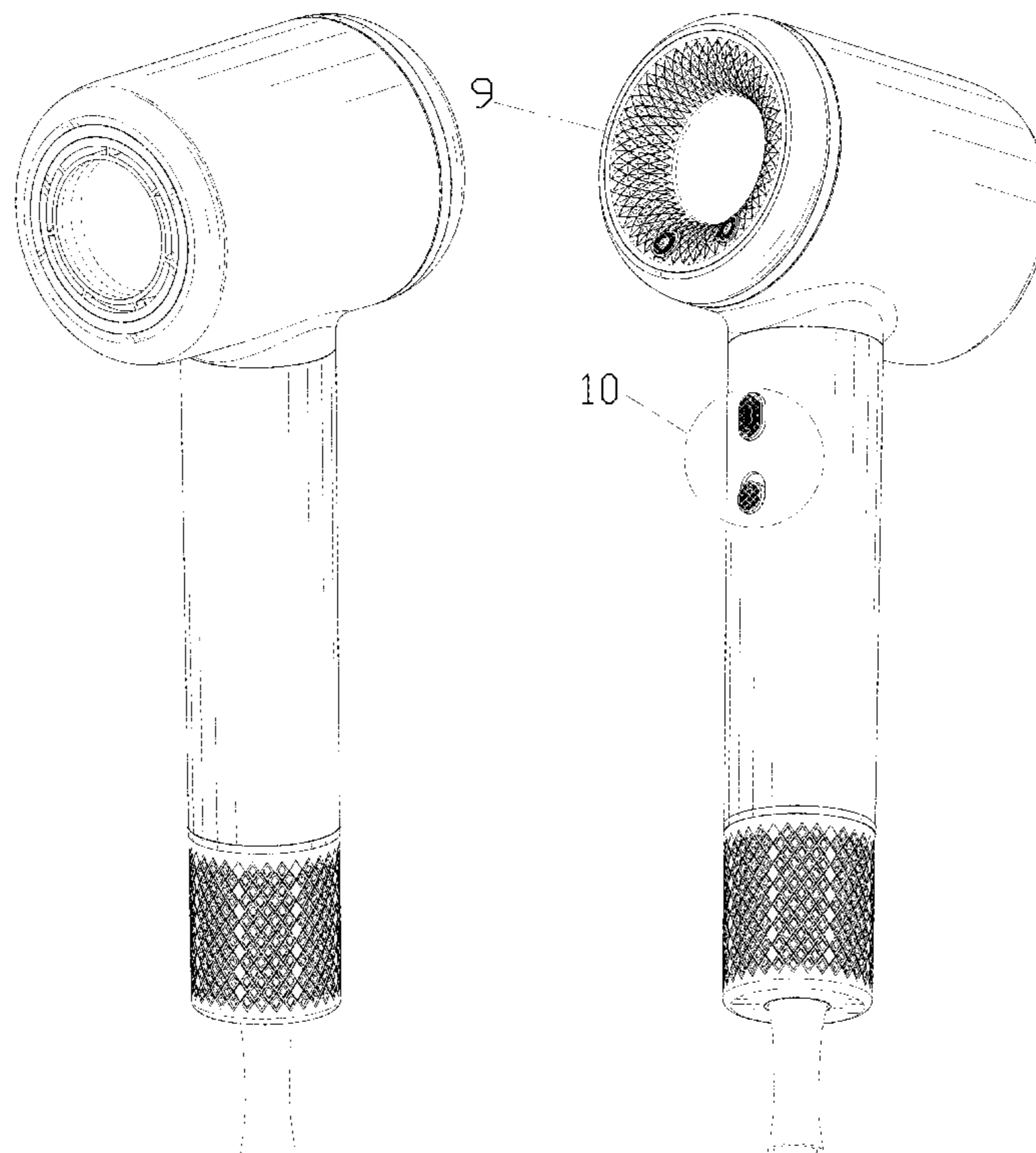
(57) **CLAIM**

The ornamental design for a hair drier, as shown and described.

**DESCRIPTION**

FIG. 1 is a perspective view of a hair drier showing my new design;  
FIG. 2 is another perspective view thereof;  
FIG. 3 is a front elevational view thereof;  
FIG. 4 is a rear elevational view thereof;  
FIG. 5 is a left side elevational view thereof;  
FIG. 6 is a right side elevational view thereof;  
FIG. 7 is a top plan view thereof;  
FIG. 8 is a bottom plan view thereof;  
FIG. 9 is an enlarged view of portion 9 shown in FIG. 2; and,  
FIG. 10 is an enlarged view of portion 10 shown in FIG. 2.  
The dash-dash broken lines in the drawings depict portions of the hair drier that form no part of the claimed design. The dot-dash broken lines represent boundaries of the enlarged portions and form no part of the claimed design.

**1 Claim, 10 Drawing Sheets**



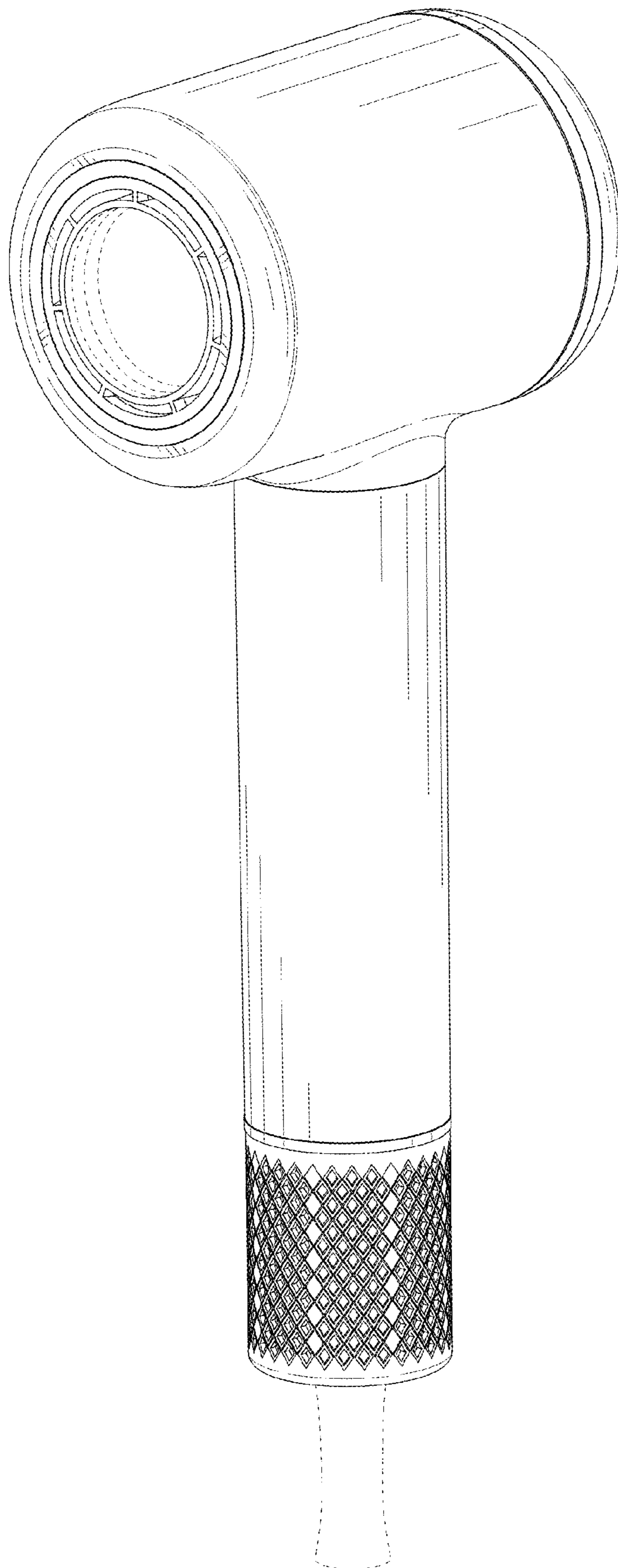


FIG. 1

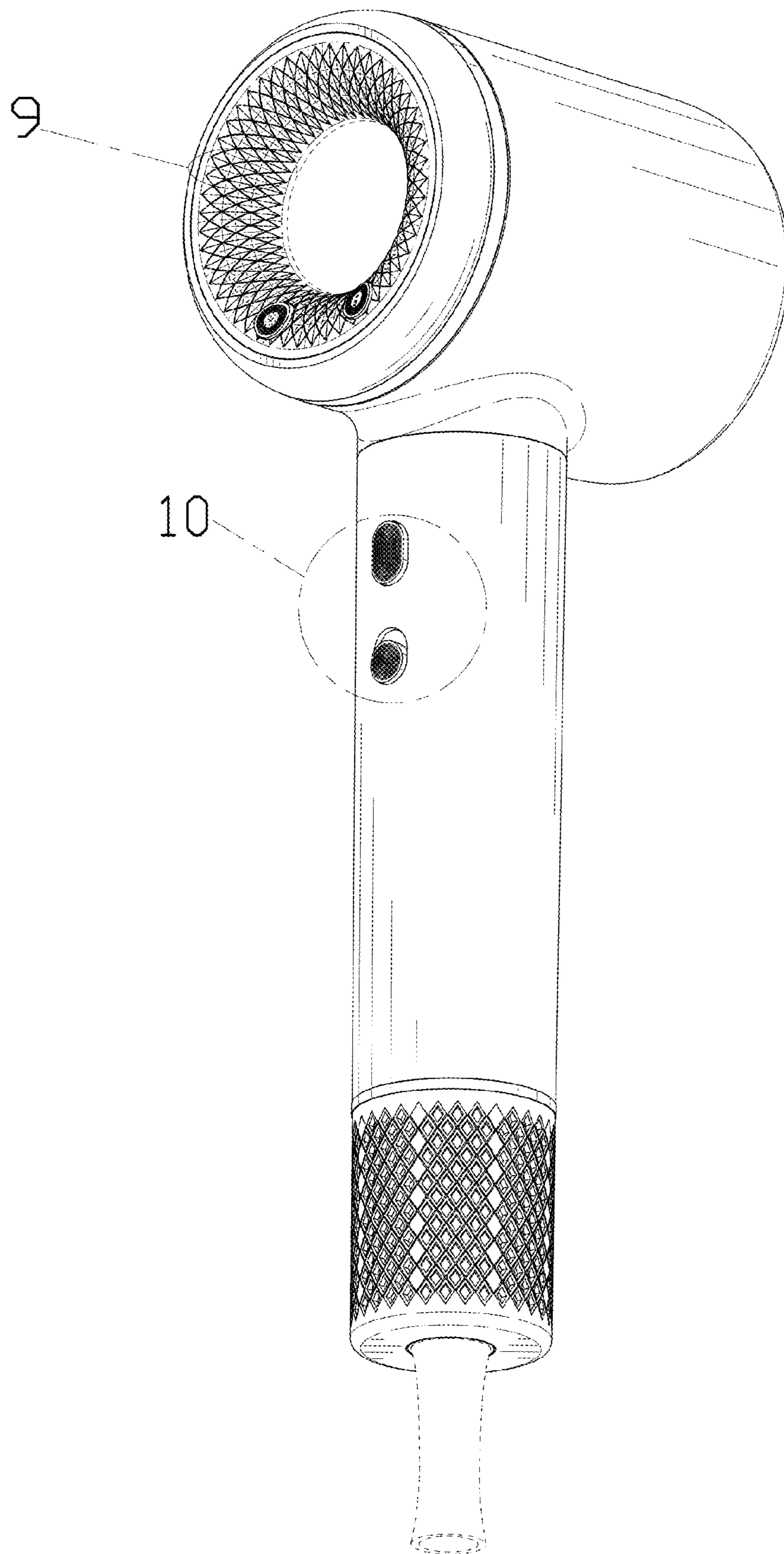


FIG. 2



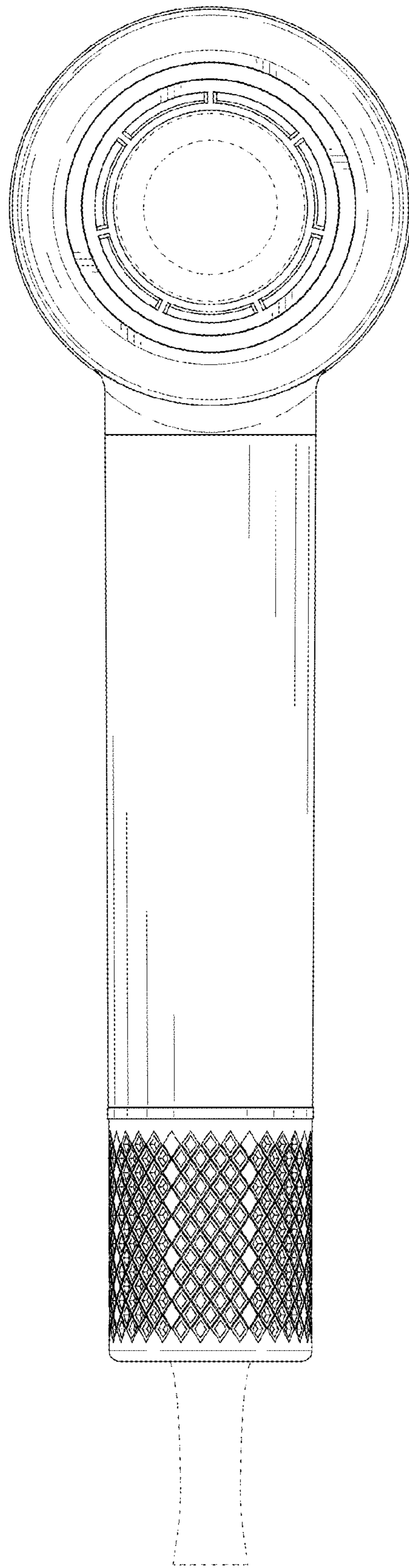


FIG. 3

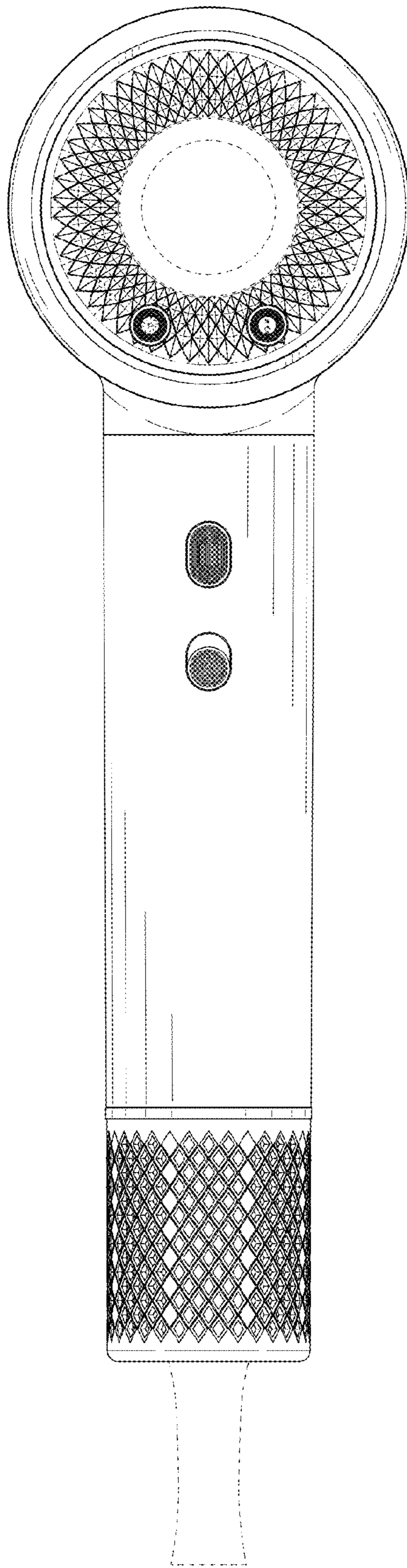


FIG. 4

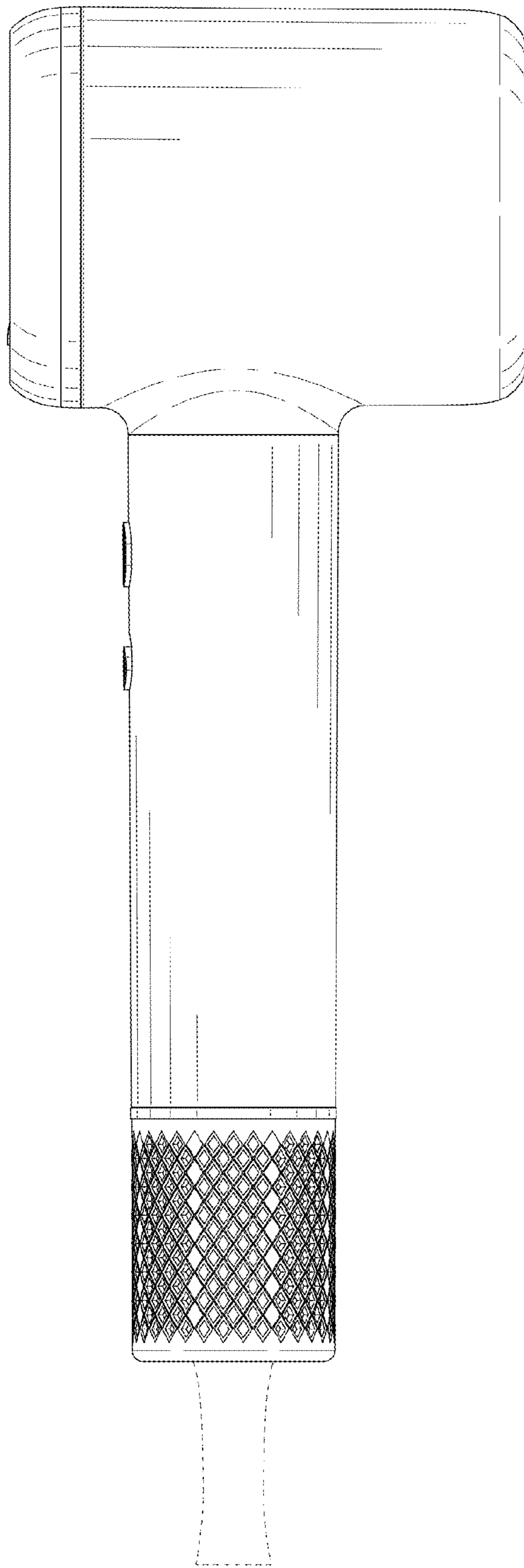


FIG. 5

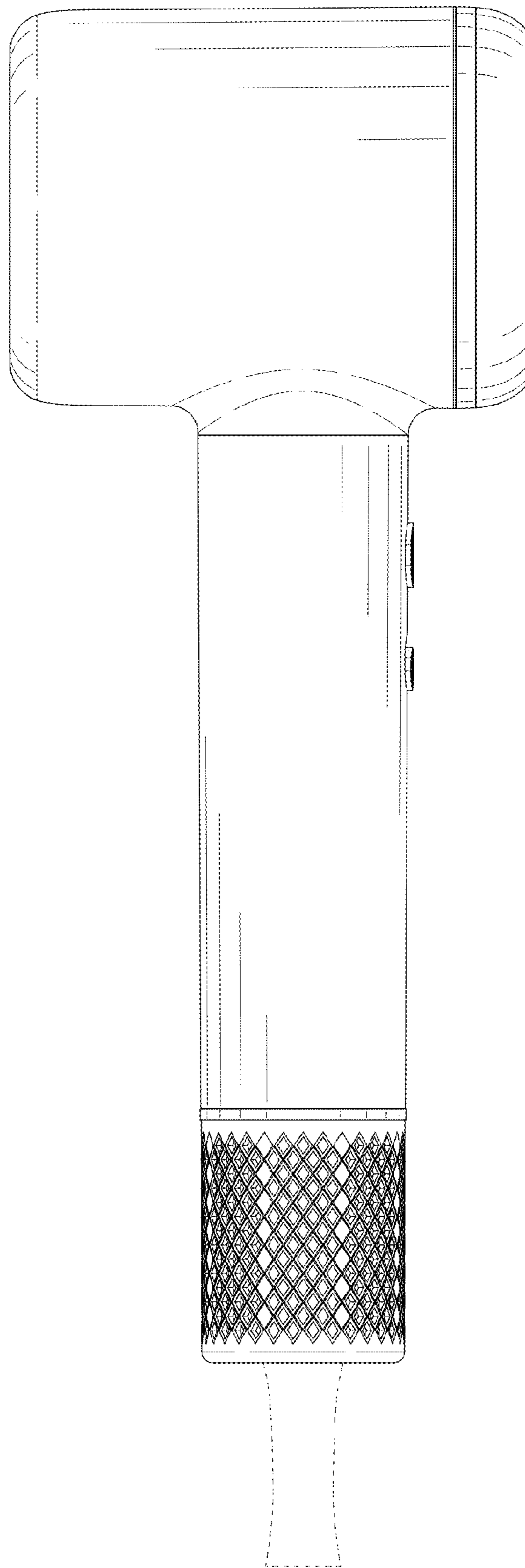


FIG. 6

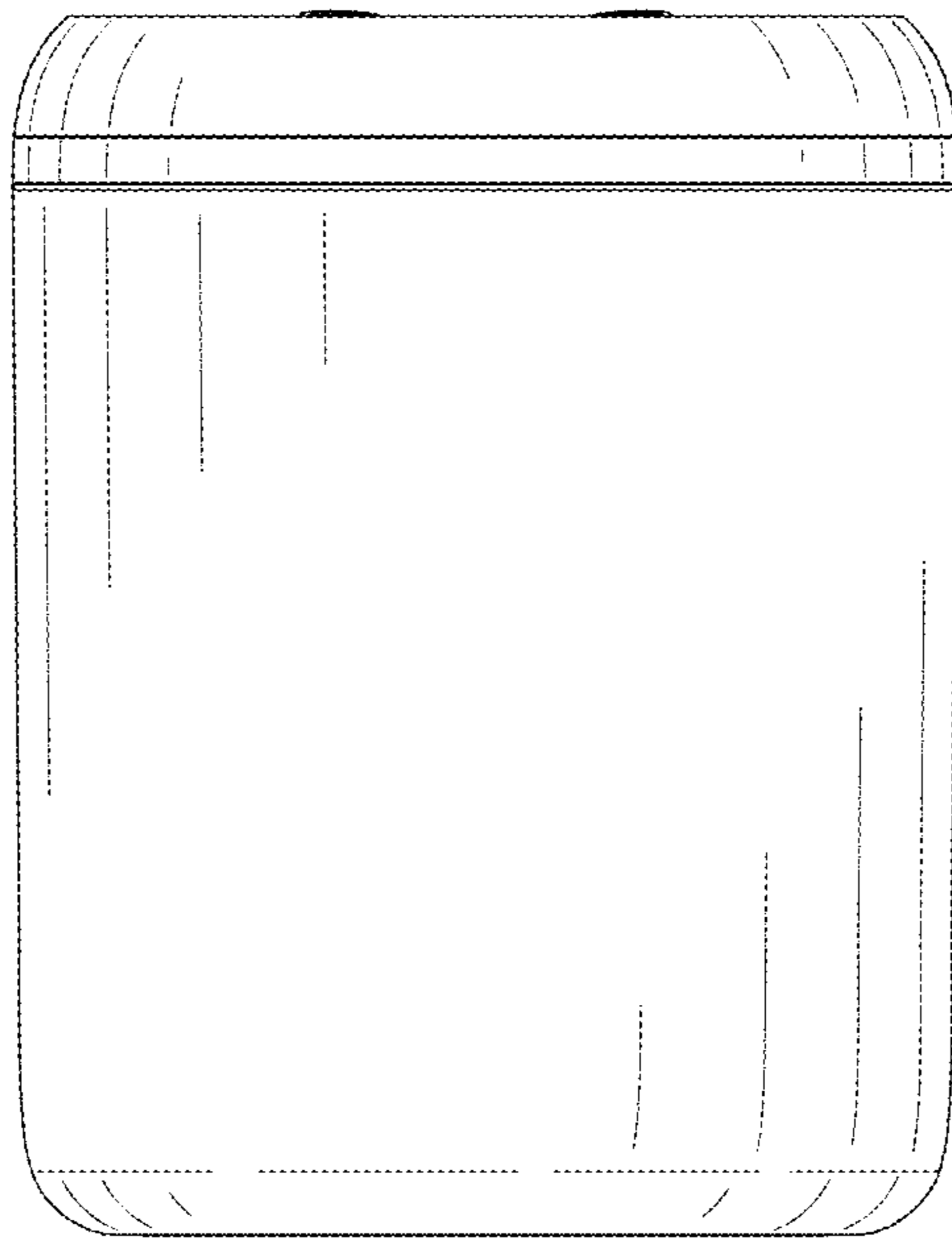


FIG. 7



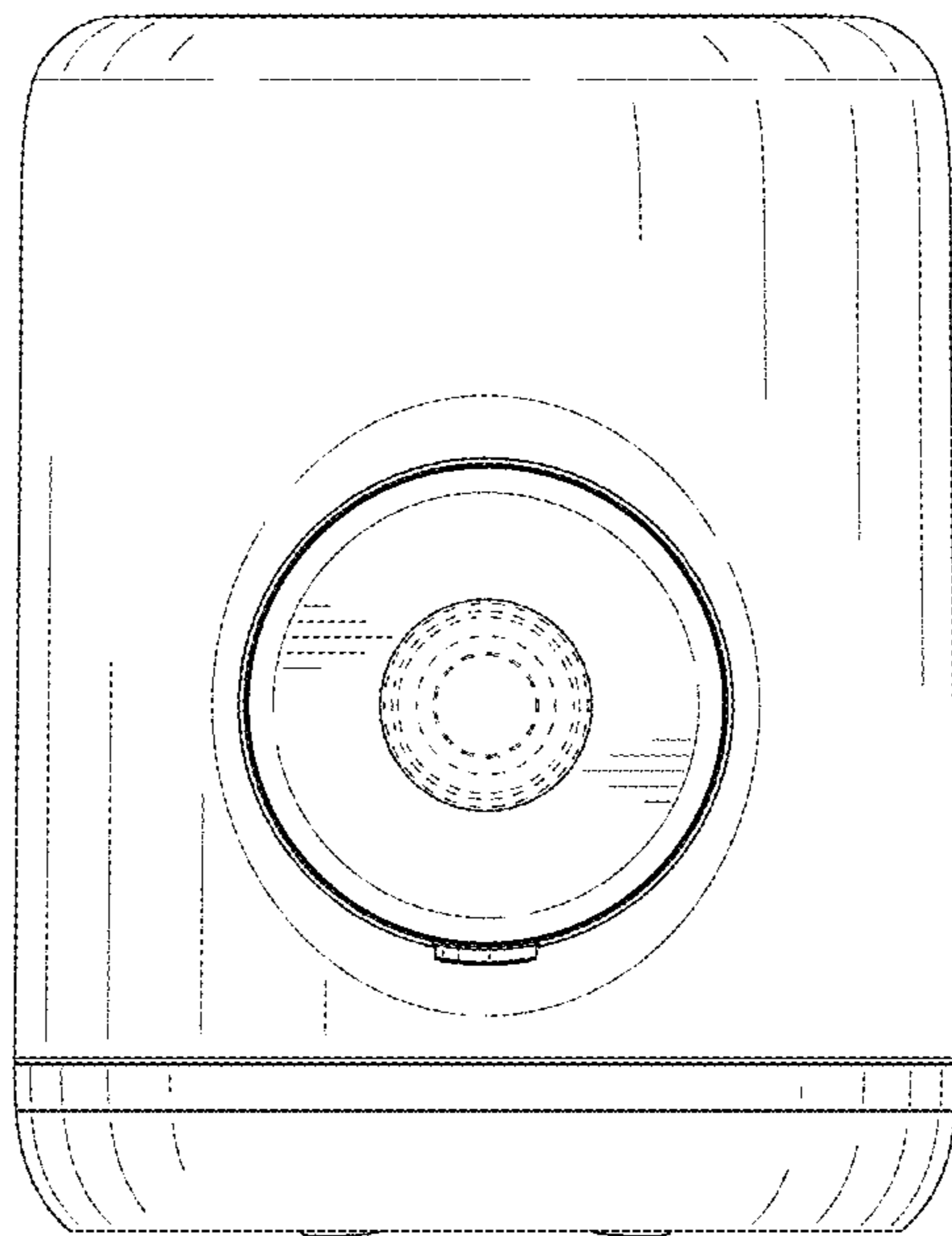


FIG. 8

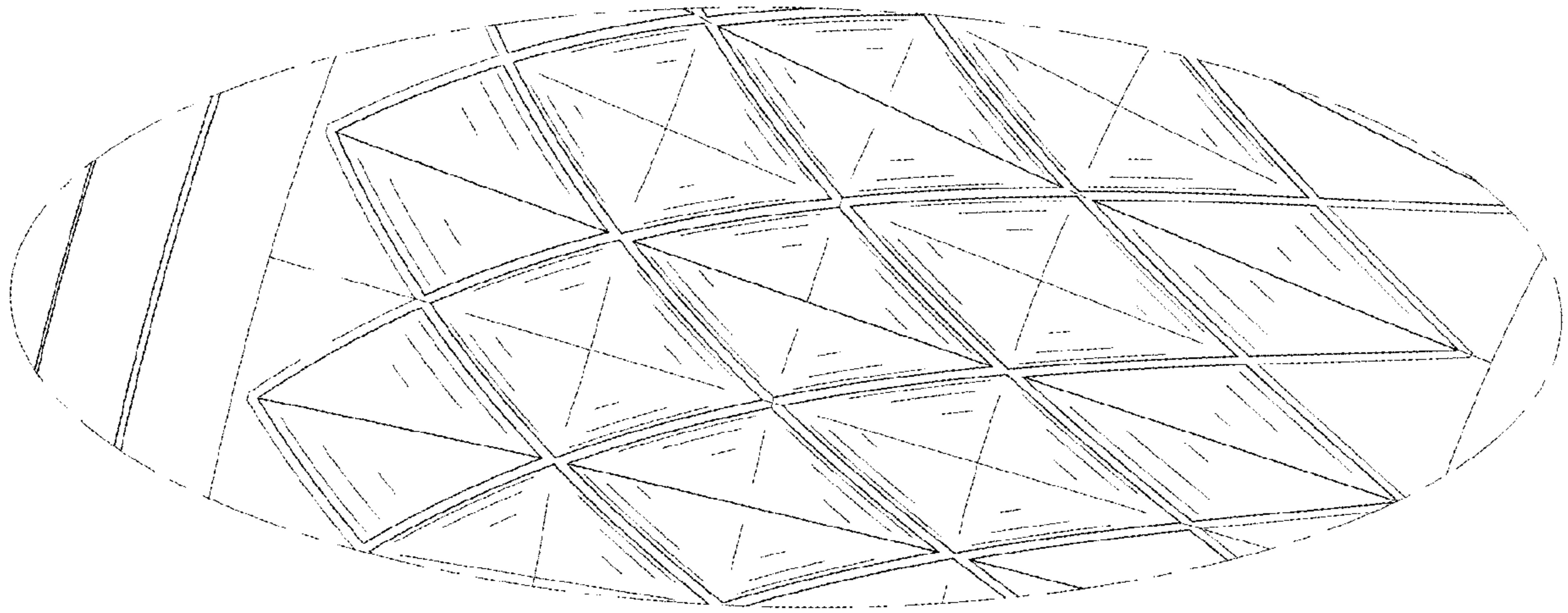


FIG. 9

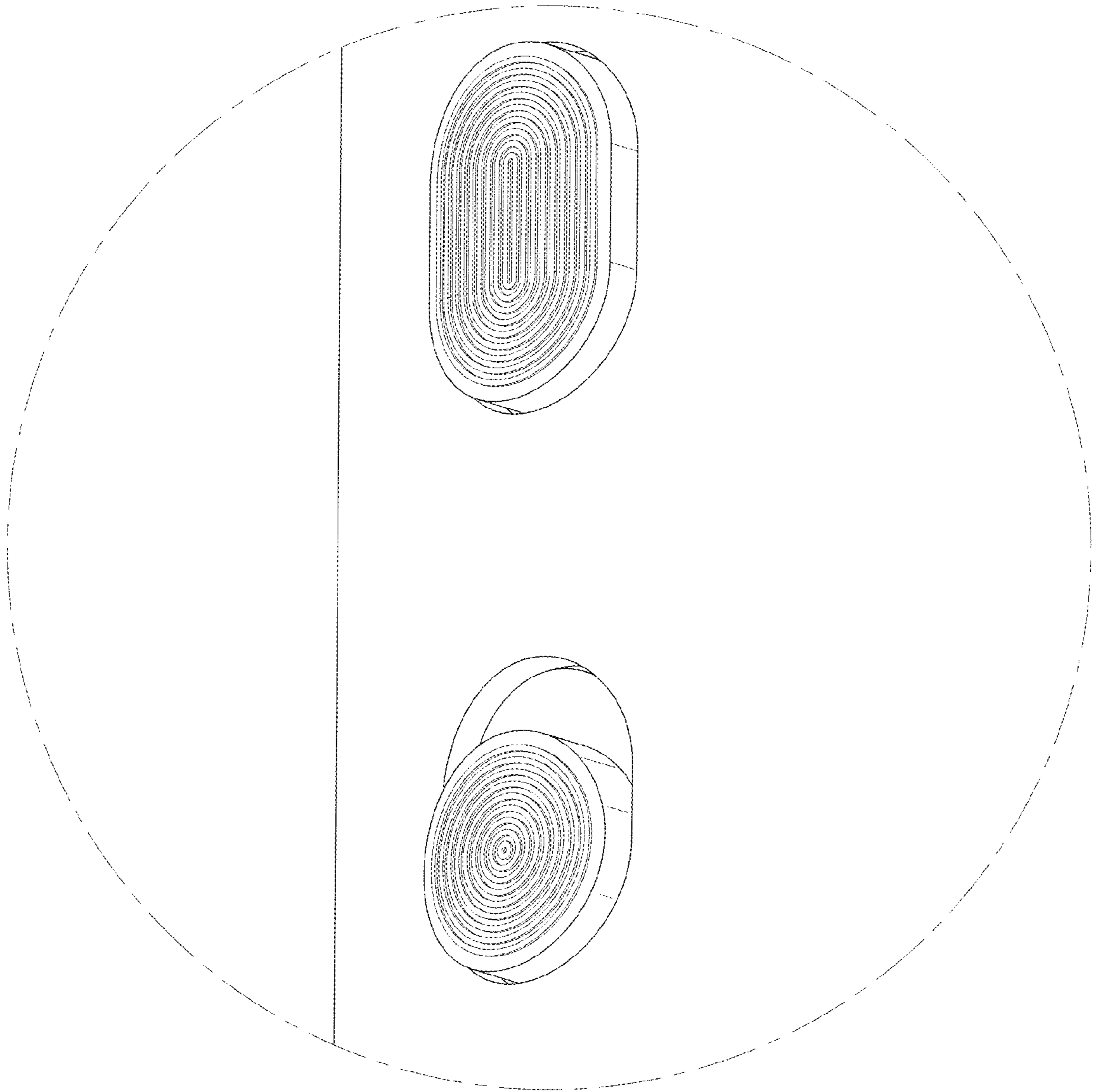


FIG. 10