



US00D965865S

(12) **United States Design Patent**  
**Huang**

(10) **Patent No.:** **US D965,865 S**

(45) **Date of Patent:** **\*\* Oct. 4, 2022**

(54) **HAIR DRIER**

(71) Applicant: **GUANGDONG HUANENGDA  
ELECTRICAL APPLIANCES CO.,  
LTD, Jieyang (CN)**

(72) Inventor: **Minxun Huang, Jieyang (CN)**

(73) Assignee: **GUANGDONG HUANENGDA  
ELECTRICAL APPLIANCES CO.,  
LTD, Jieyang (CN)**

(\*\*) Term: **15 Years**

(21) Appl. No.: **29/822,107**

(22) Filed: **Jan. 6, 2022**

(51) **LOC (13) Cl.** ..... **28-03**

(52) **U.S. Cl.**  
USPC ..... **D28/13**

(58) **Field of Classification Search**  
USPC ..... D28/12-19; D8/29.1  
CPC ..... A45D 20/00; A45D 20/04; A45D 20/08;  
A45D 20/10; A45D 20/12; A45D  
2020/128

See application file for complete search history.

(56) **References Cited**

**U.S. PATENT DOCUMENTS**

D455,859 S \* 4/2002 Lai ..... D28/13  
D536,482 S \* 2/2007 Koenemann ..... D28/13  
D672,496 S \* 12/2012 Julemont ..... D28/13  
D681,275 S \* 4/2013 Huang ..... D28/13  
D716,999 S \* 11/2014 Americano ..... A45D 20/122  
D28/13  
9,474,347 B2 \* 10/2016 Pedroarena ..... A45D 1/04

D849,320 S \* 5/2019 Park ..... D28/13  
D858,874 S \* 9/2019 Parodi ..... D28/13  
10,849,400 B2 \* 12/2020 Weatherly ..... A45D 20/12  
D912,315 S 3/2021 Shin et al.  
D919,175 S 5/2021 Yu et al.  
2008/0116753 A1 \* 5/2008 Carlucci ..... H02K 7/145  
388/816  
2012/0266483 A1 \* 10/2012 Palermo ..... A45D 20/10  
34/97

\* cited by examiner

*Primary Examiner* — Zenia I Bennett

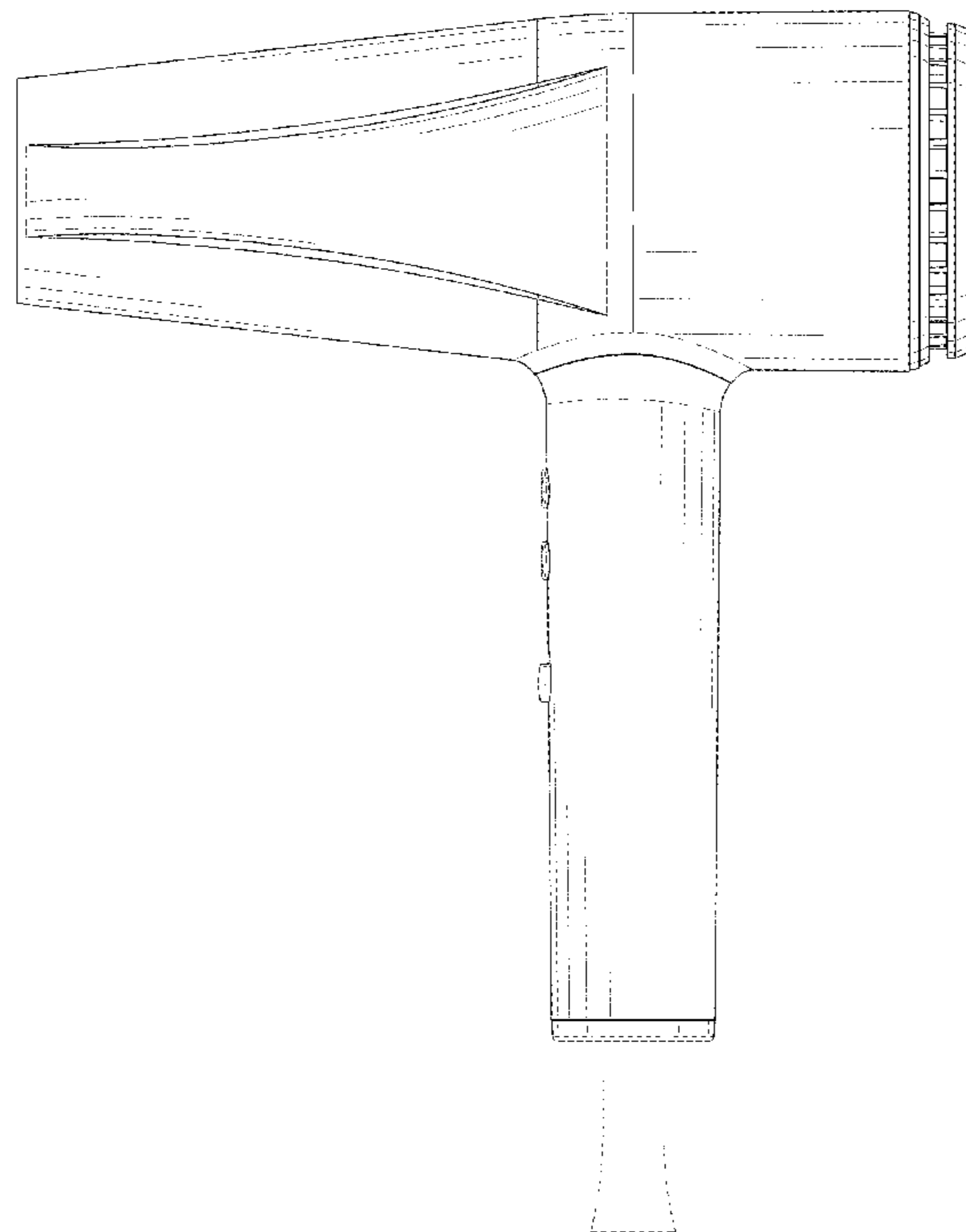
(57) **CLAIM**

The ornamental design for a hair drier, as shown and described.

**DESCRIPTION**

FIG. 1 is a perspective view of a hair drier showing my new design;  
FIG. 2 is another perspective view thereof;  
FIG. 3 is a front elevational view thereof;  
FIG. 4 is a rear elevational view thereof;  
FIG. 5 is a left side elevational view thereof;  
FIG. 6 is a right side elevational view thereof;  
FIG. 7 is a top plan view thereof;  
FIG. 8 is a bottom plan view thereof; and,  
FIG. 9 is an enlarged view of portion 9 shown in FIG. 2.  
The dash-dash broken lines in the drawings depict portions of the hair drier that form no part of the claimed design. The dot-dash broken lines represent boundaries of the enlarged portion and form no part of the claimed design.

**1 Claim, 9 Drawing Sheets**



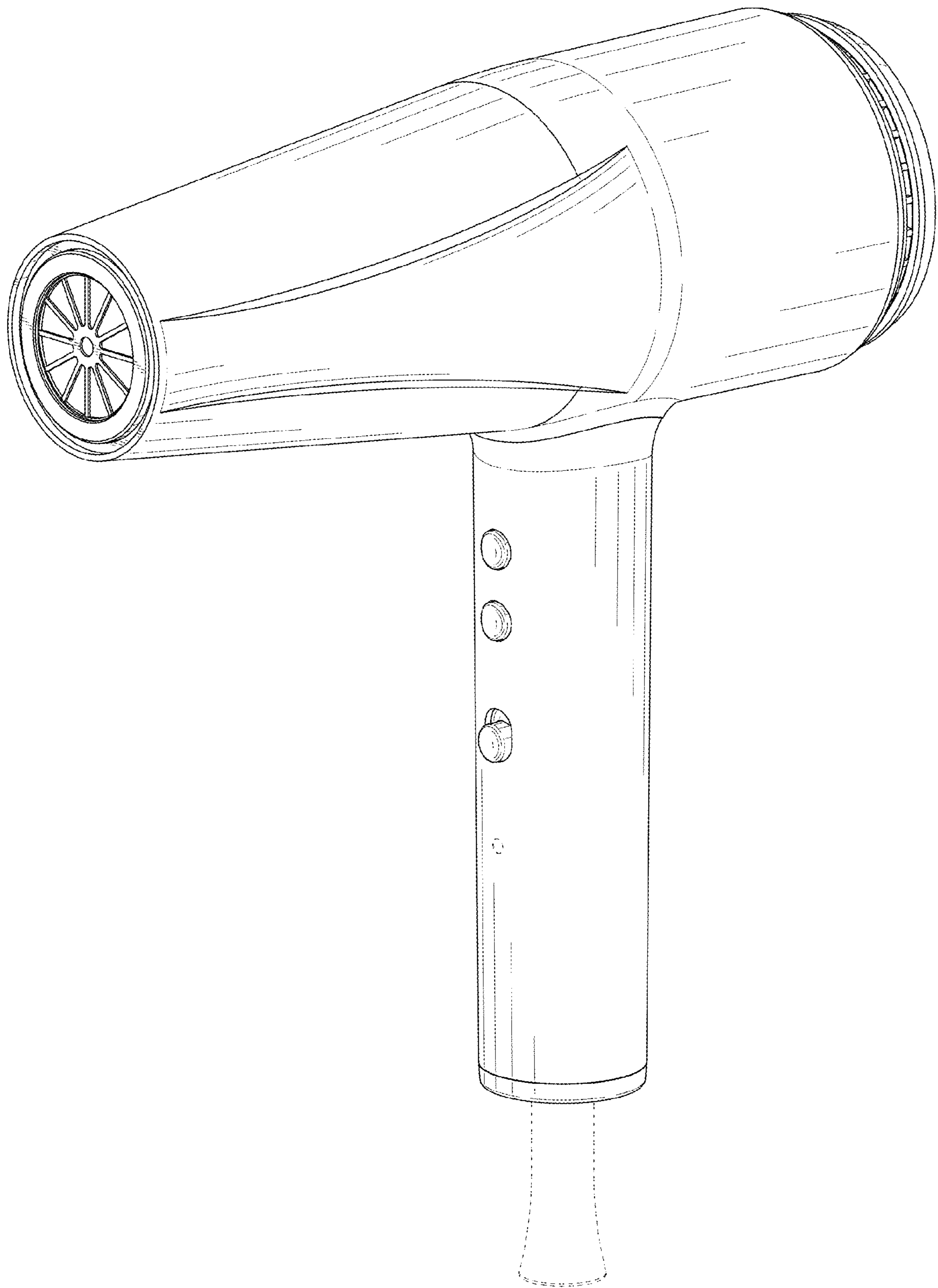


FIG. 1

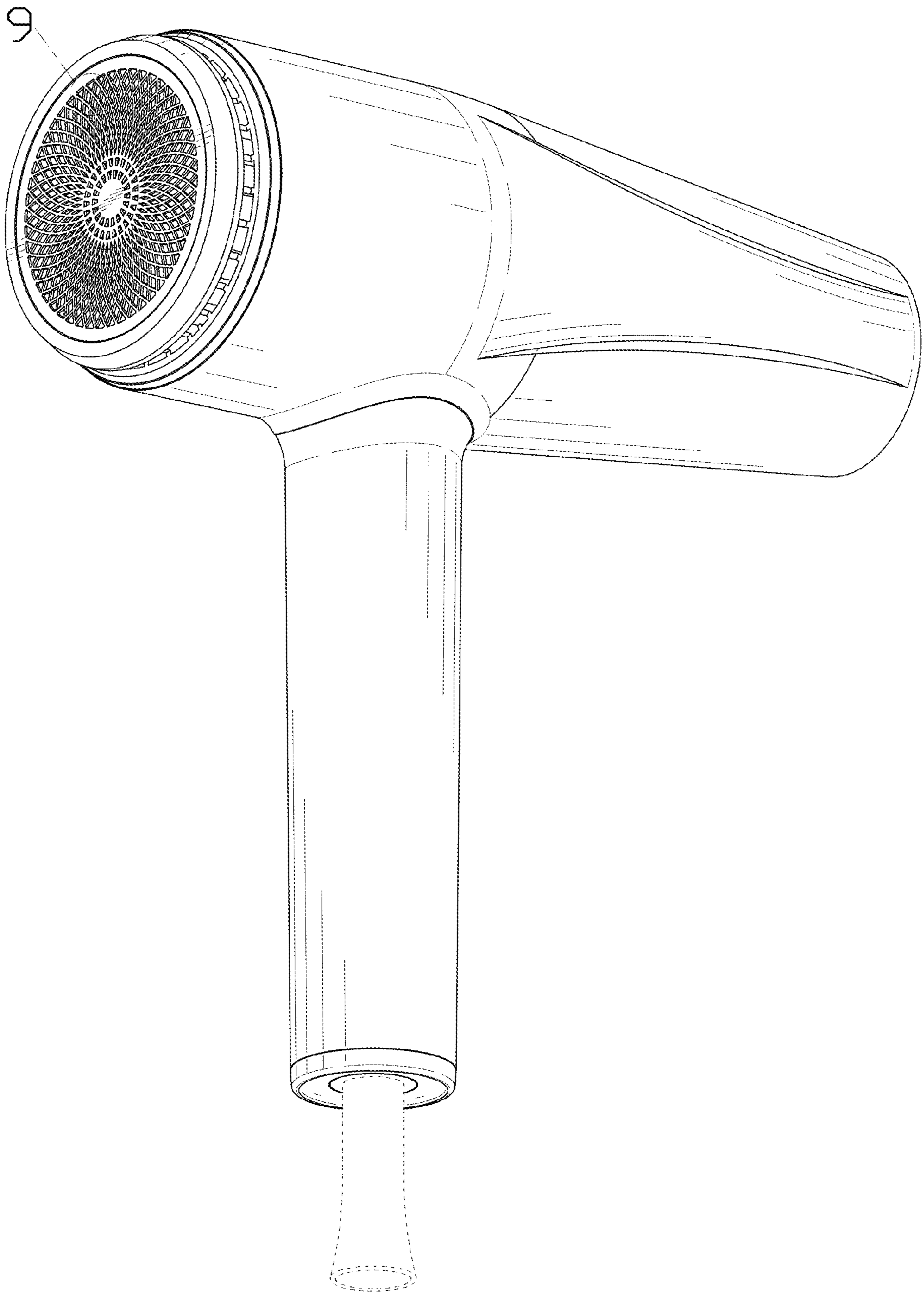


FIG. 2

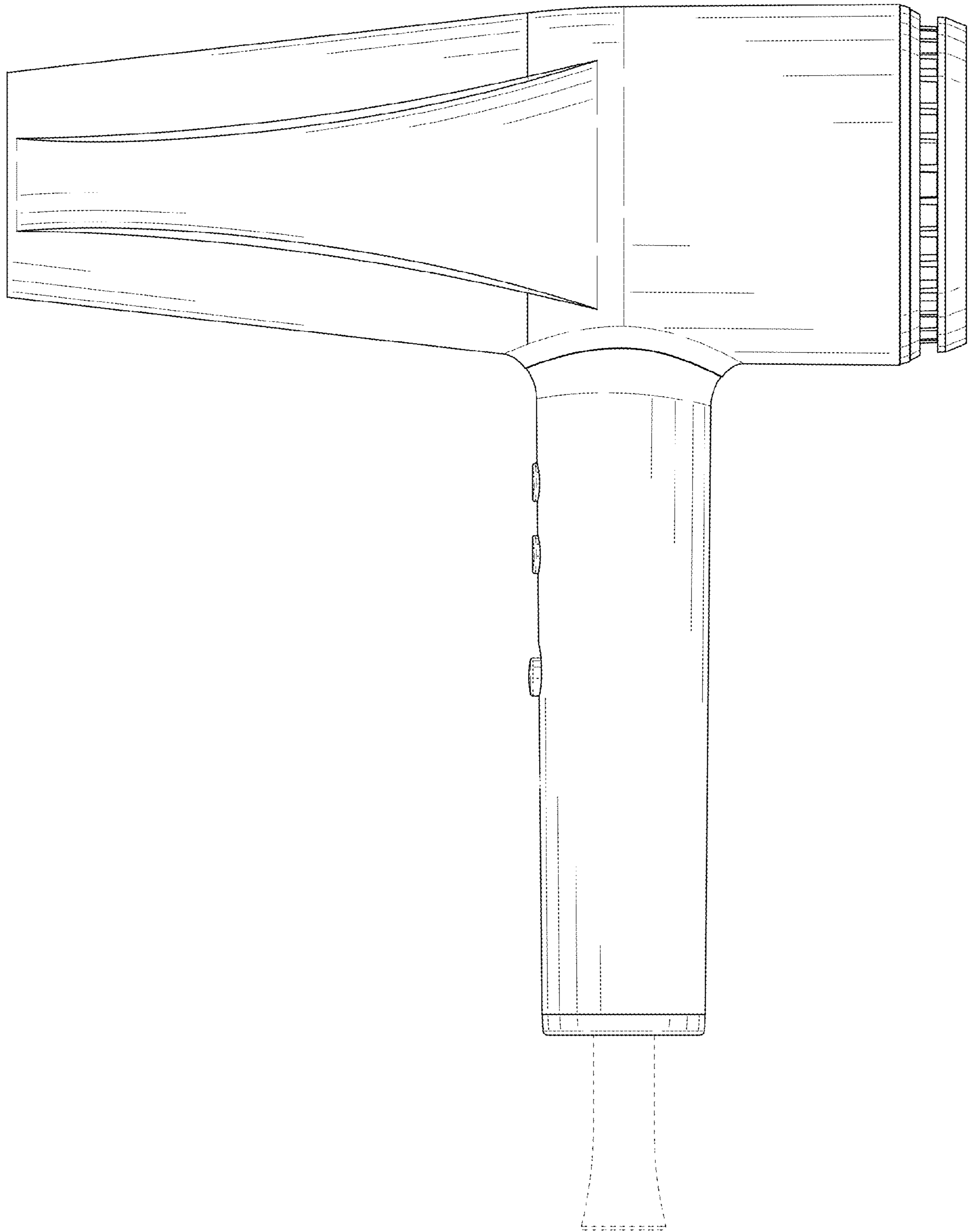


FIG. 3

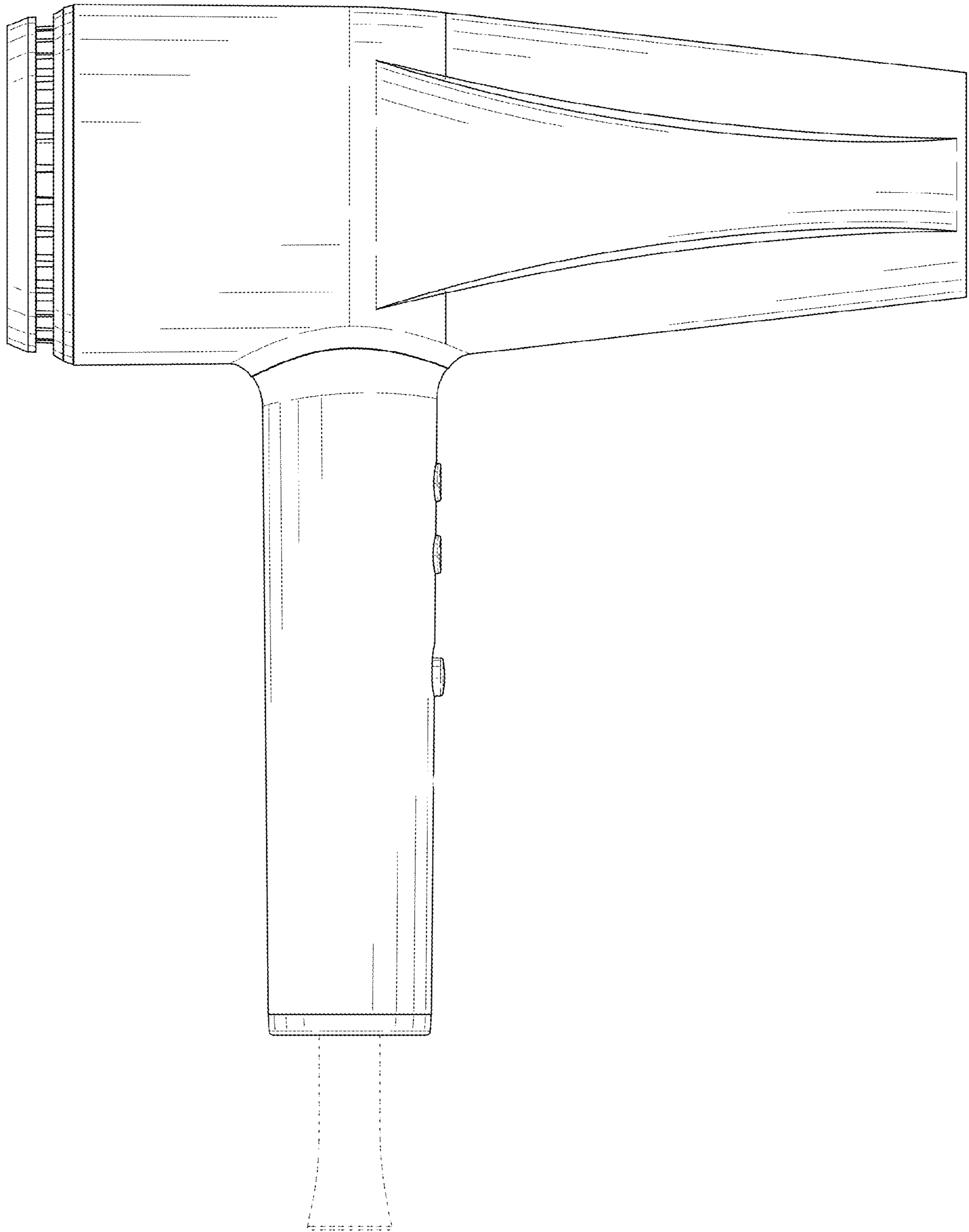


FIG. 4

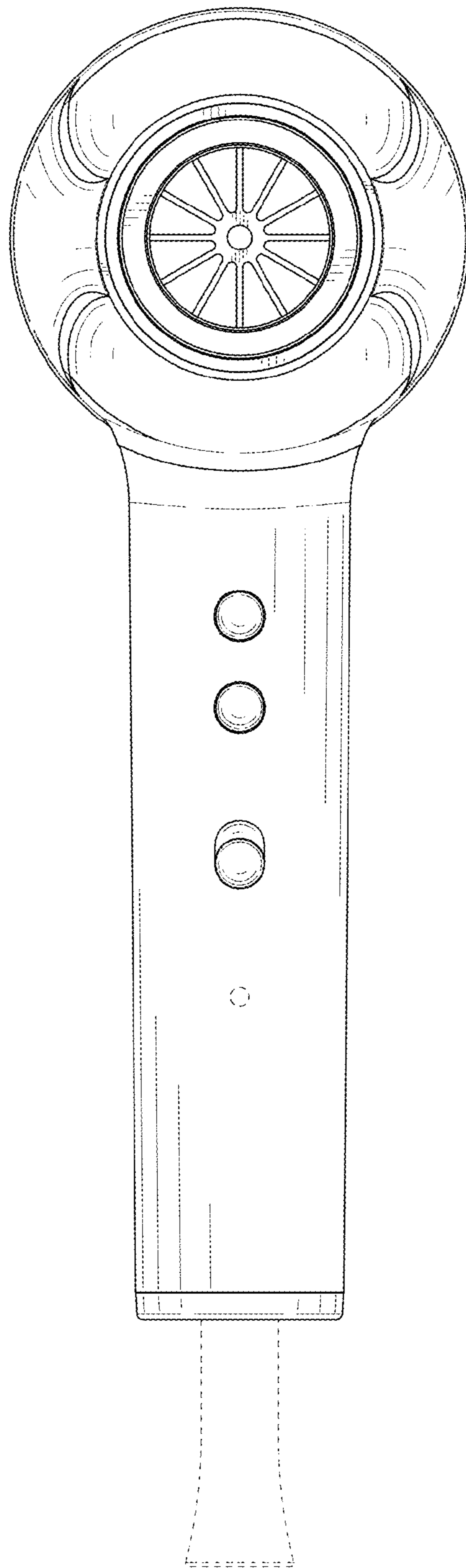


FIG. 5

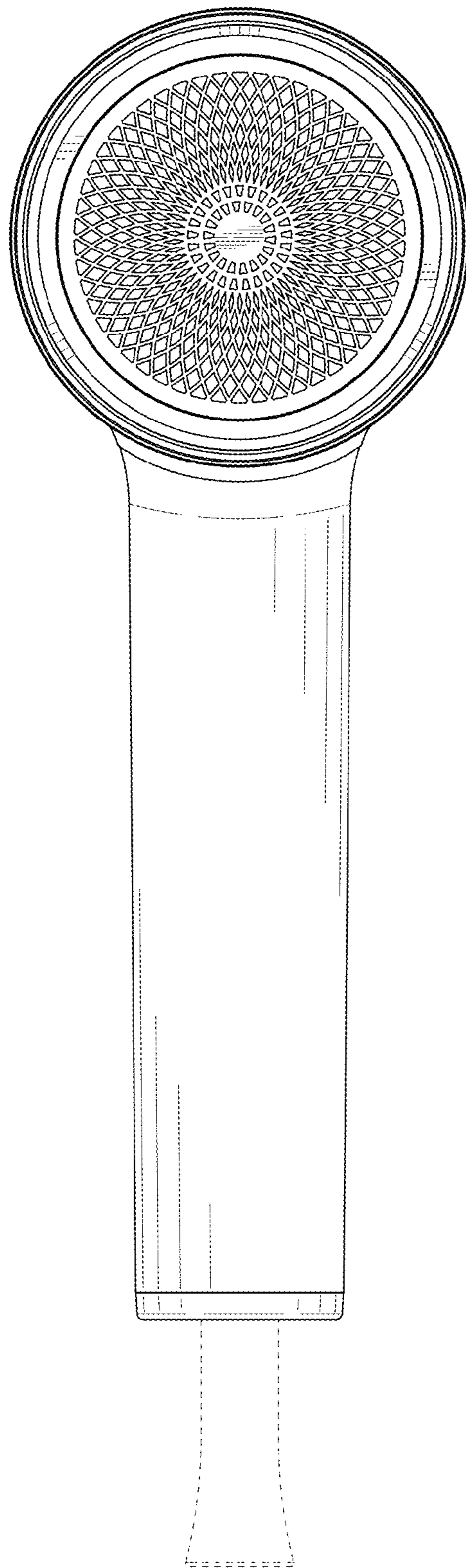


FIG. 6

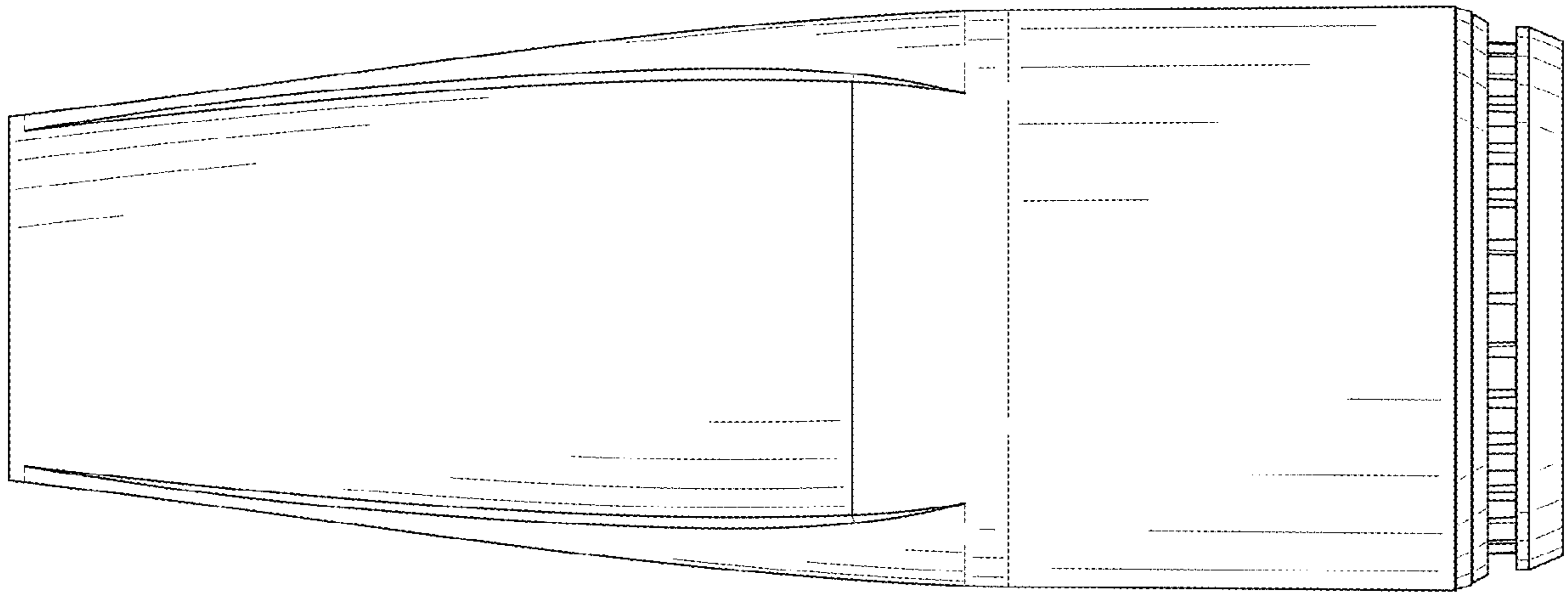


FIG. 7



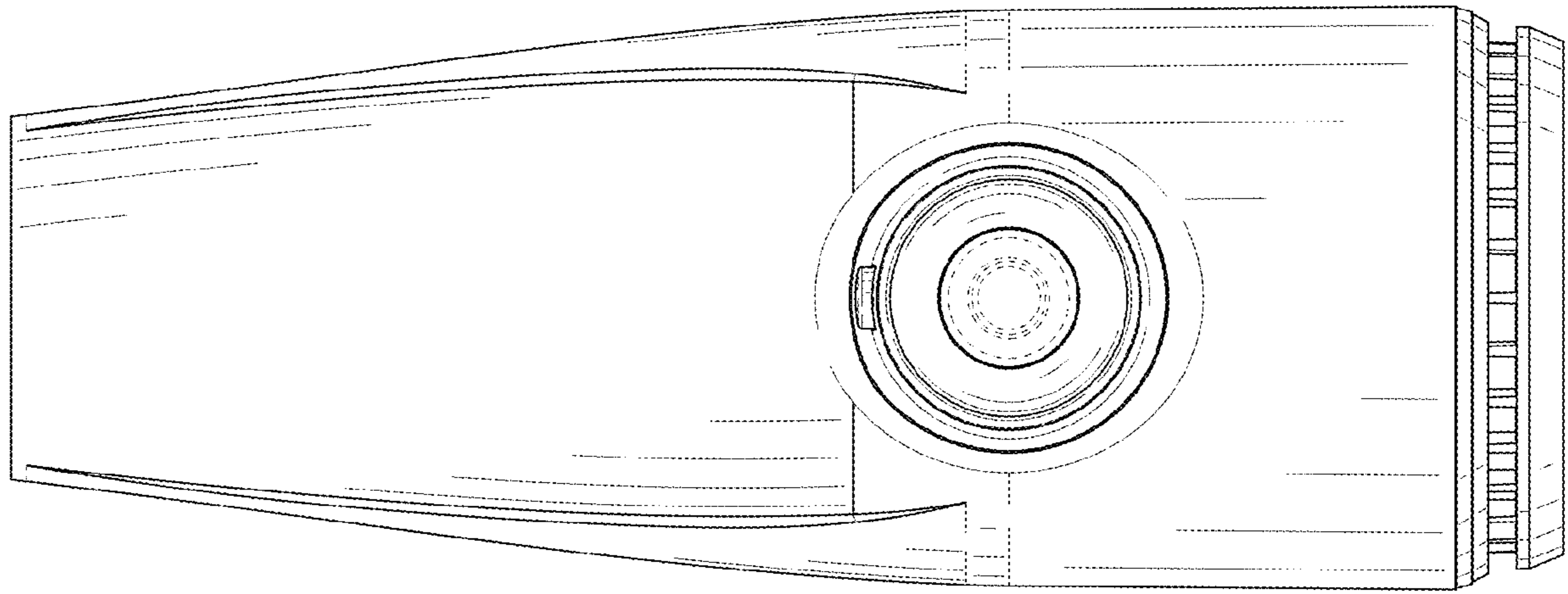


FIG. 8

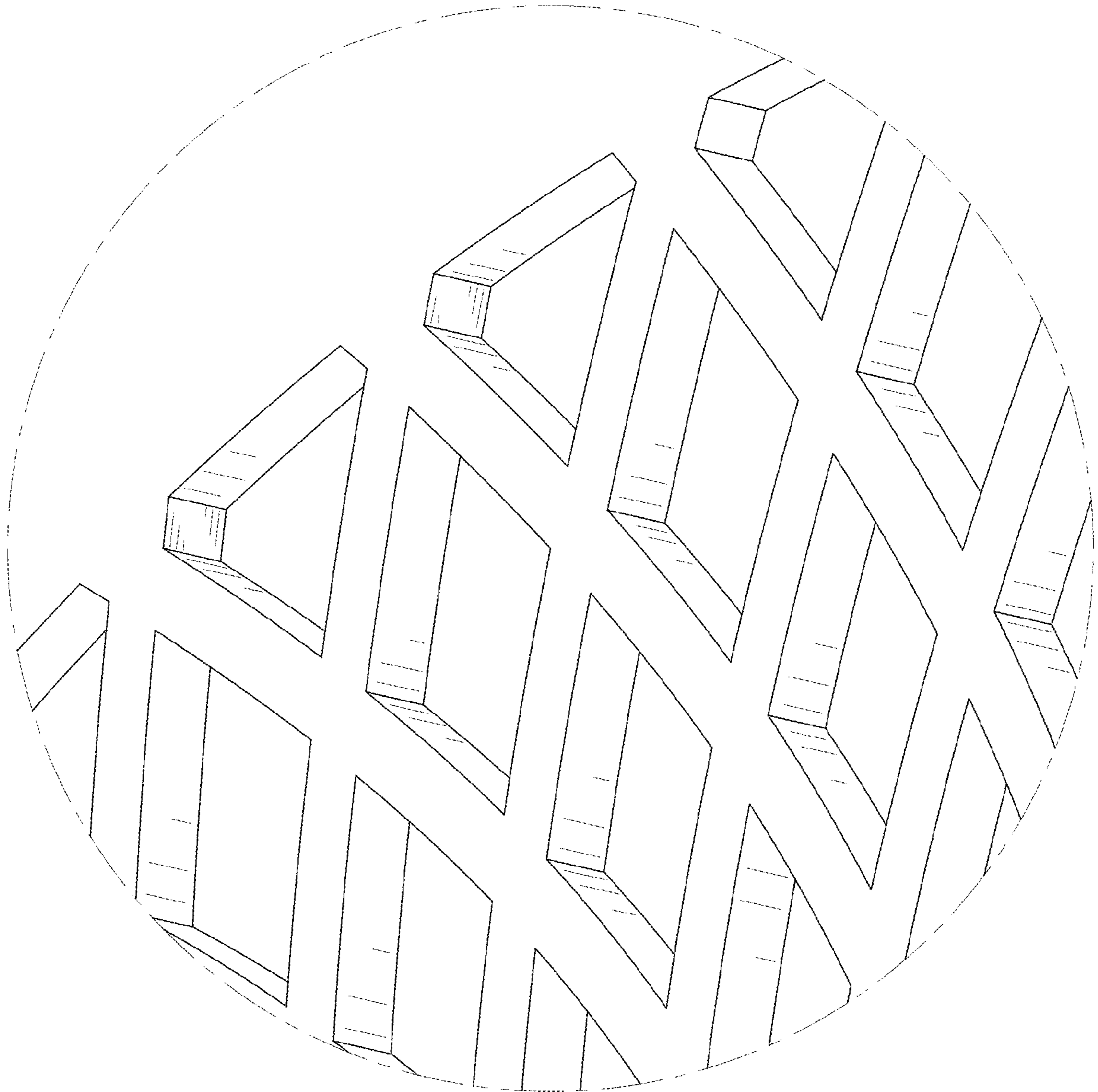


FIG. 9