



US00D965864S

(12) **United States Design Patent**
Zhu

(10) **Patent No.:** **US D965,864 S**

(45) **Date of Patent:** **** Oct. 4, 2022**

(54) **HAIR DRYER**

(71) Applicant: **ANQING TIANJUN INTERNATIONAL TRADE CO., LTD.**, Anqing (CN)

(72) Inventor: **Tianjun Zhu**, Anqing (CN)

(73) Assignee: **ANQING TIANJUN INTERNATIONAL TRADE CO., LTD.**, Anqing (CN)

(**) Term: **15 Years**

(21) Appl. No.: **29/820,961**

(22) Filed: **Dec. 27, 2021**

(51) **LOC (13) Cl.** **28-03**

(52) **U.S. Cl.**
USPC **D28/13**

(58) **Field of Classification Search**
USPC D28/12-19; D8/29.1
CPC A45D 20/00; A45D 20/04; A45D 20/08;
A45D 20/10; A45D 20/12; A45D
2020/128
See application file for complete search history.

(56) **References Cited**

U.S. PATENT DOCUMENTS

D286,923 S *	11/1986	Tsuji	D28/13
D294,873 S *	3/1988	Ogawa	D28/16
D850,000 S	5/2019	Chen		
D884,965 S	5/2020	Liu		
D925,825 S *	7/2021	Lo	D28/13

D926,370 S *	7/2021	Sun	D28/13
D934,496 S *	10/2021	Huang	D28/13
D943,201 S *	2/2022	Liu	D28/13
D952,248 S *	5/2022	Lei	D28/13
D952,940 S *	5/2022	Mo	D28/13

* cited by examiner

Primary Examiner — Zenia I Bennett

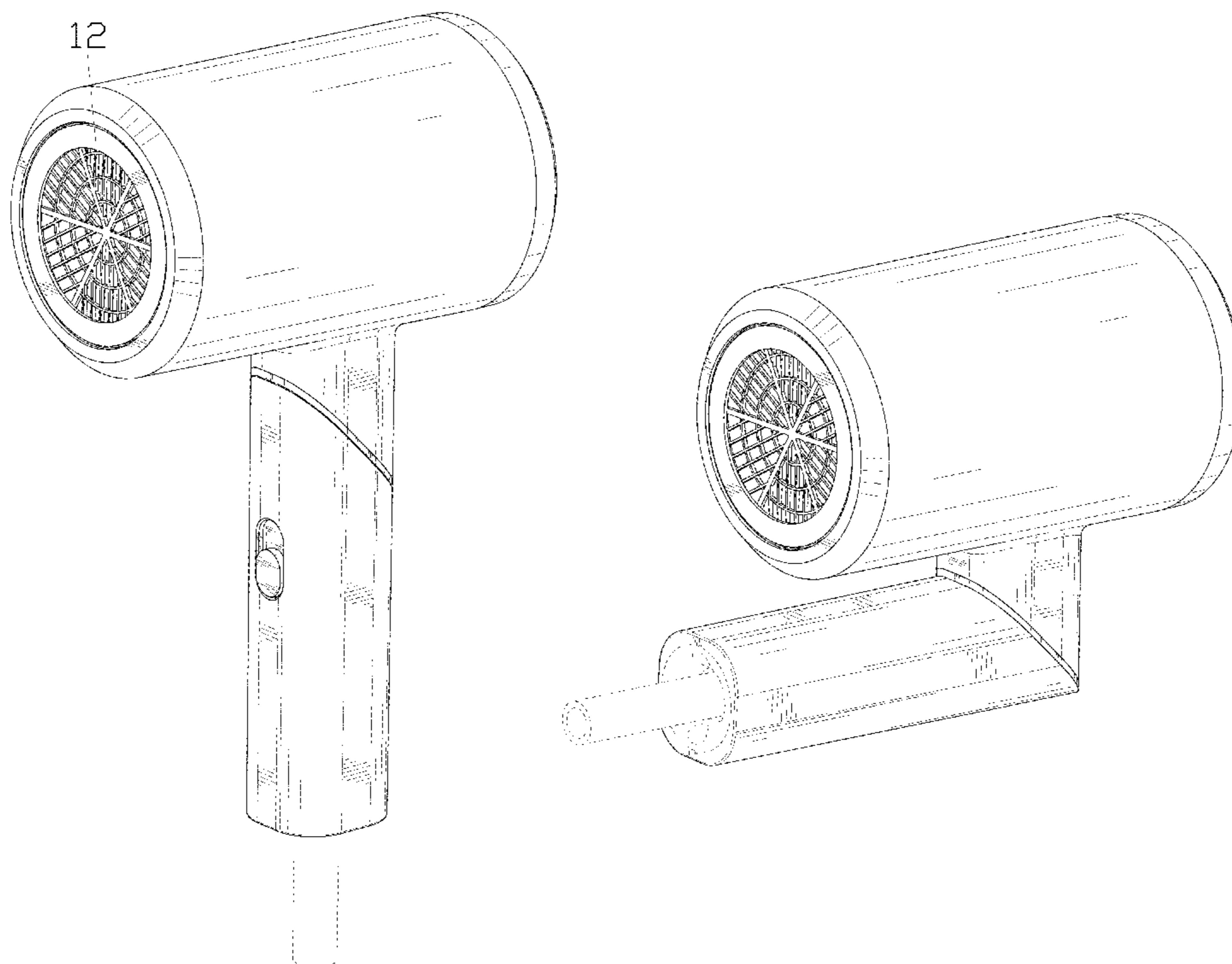
(57) **CLAIM**

The ornamental design for a hair dryer, as shown and described.

DESCRIPTION

FIG. 1 is a perspective view of a hair dryer showing my new design;
 FIG. 2 is another perspective view thereof;
 FIG. 3 is a front elevational view thereof;
 FIG. 4 is a rear elevational view thereof;
 FIG. 5 is a left side elevational view thereof;
 FIG. 6 is a right side elevational view thereof;
 FIG. 7 is a top plan view thereof;
 FIG. 8 is a bottom plan view thereof;
 FIG. 9 is a perspective view of the hair dryer where the hair dryer is in a folded state;
 FIG. 10 is a perspective view of the hair dryer where the hair dryer is in a first configuration of use;
 FIG. 11 is a perspective view of the hair dryer where the hair dryer is in a second configuration of use;
 FIG. 12 is an enlarged view of portion 12 shown in FIG. 1; and,
 FIG. 13 is an enlarged view of portion 13 shown in FIG. 2.
 The dash-dash broken lines in the drawings depict portions of the hair dryer that form no part of the claimed design. The dot-dash broken lines represent boundaries of the enlarged portions and form no part of the claimed design.

1 Claim, 13 Drawing Sheets



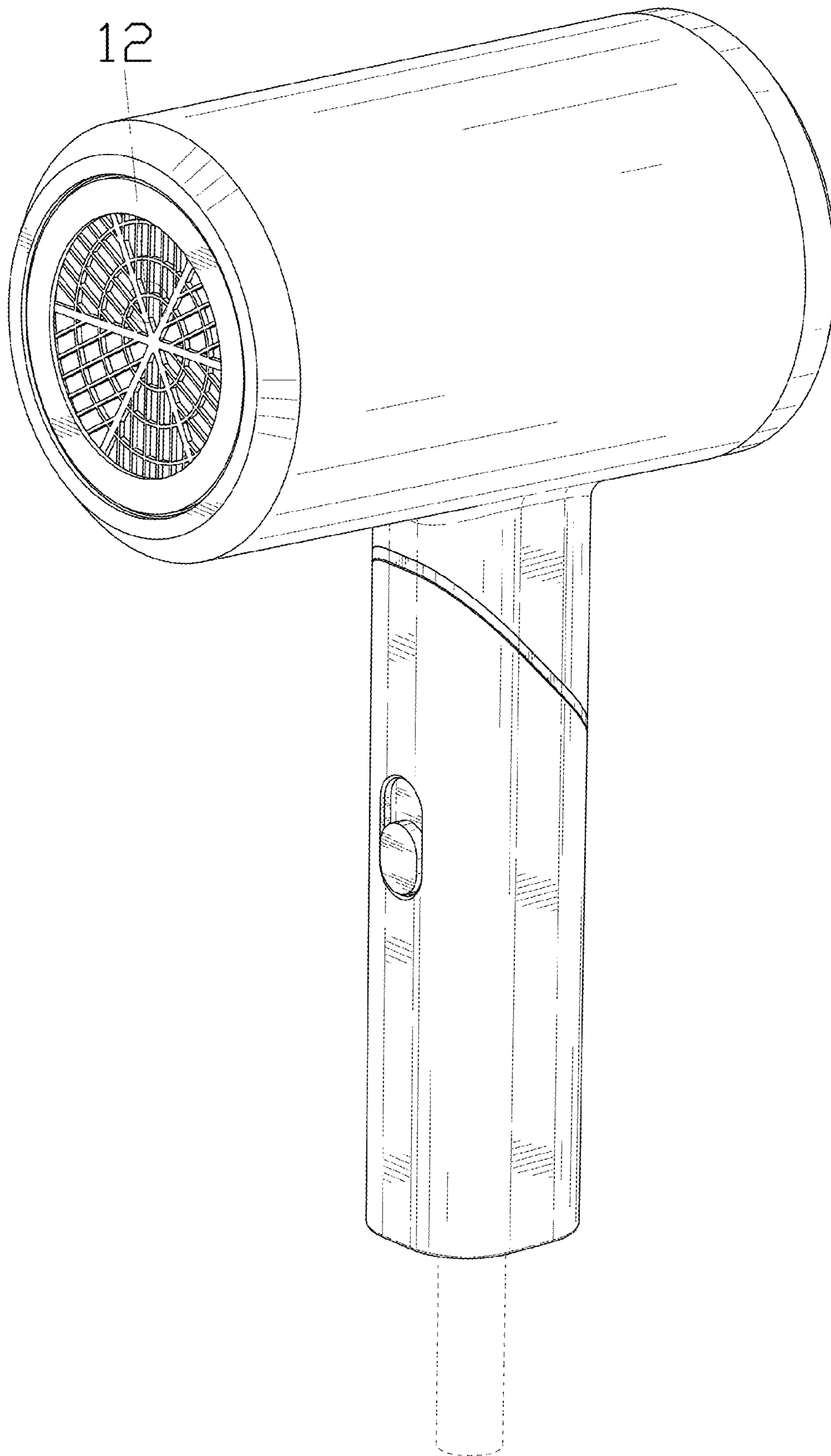


FIG. 1

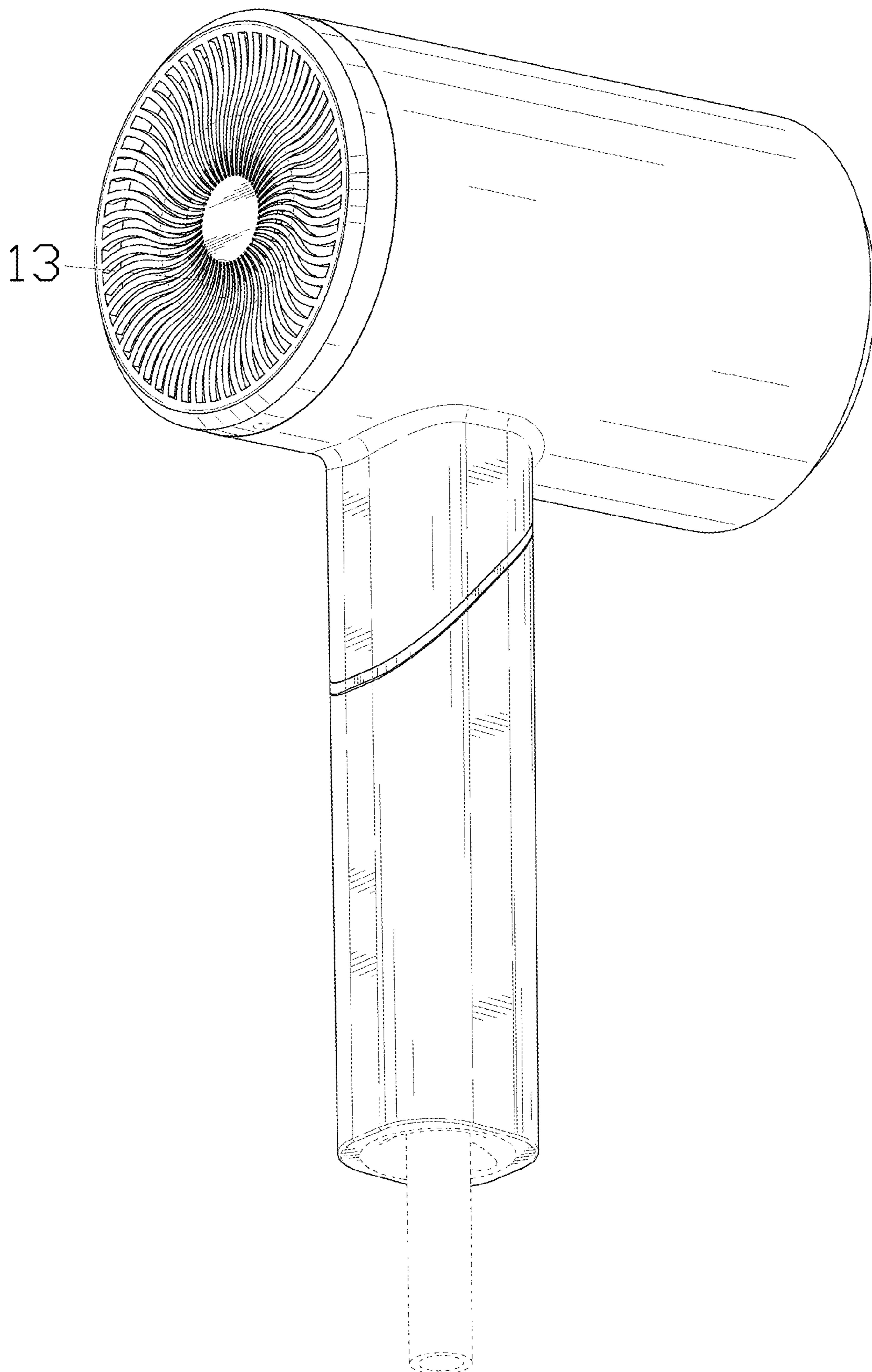


FIG. 2

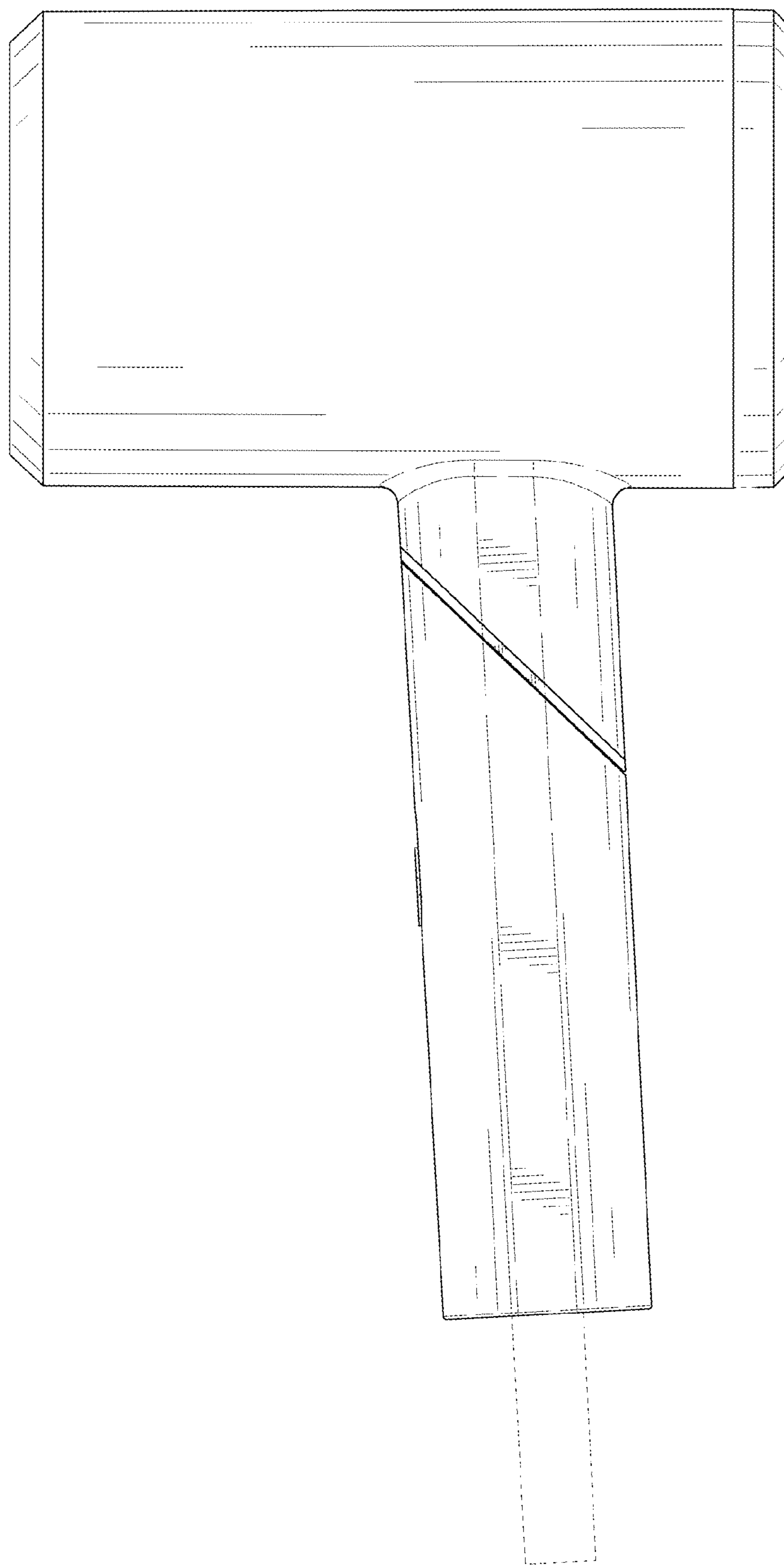


FIG. 3

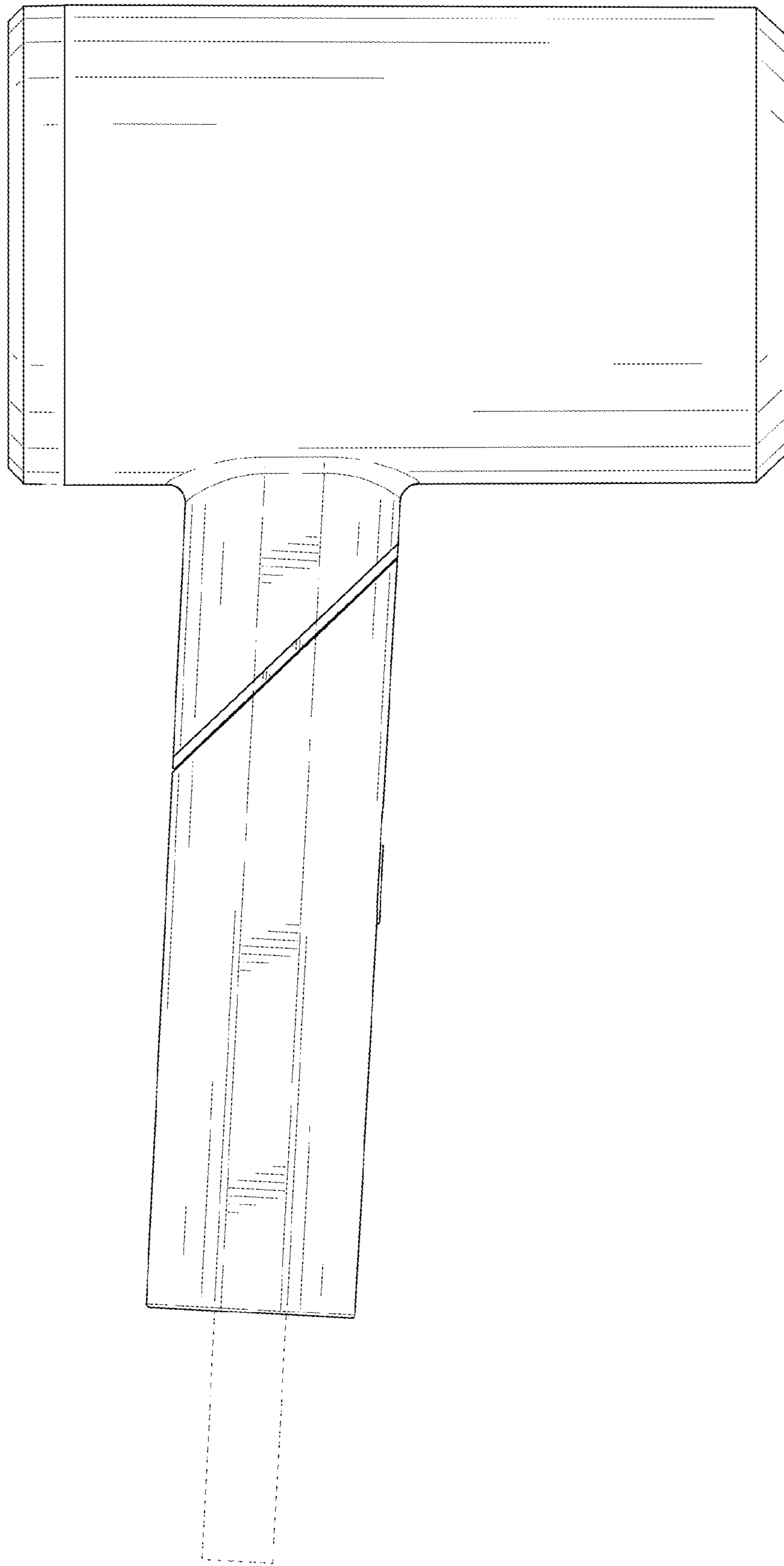


FIG. 4

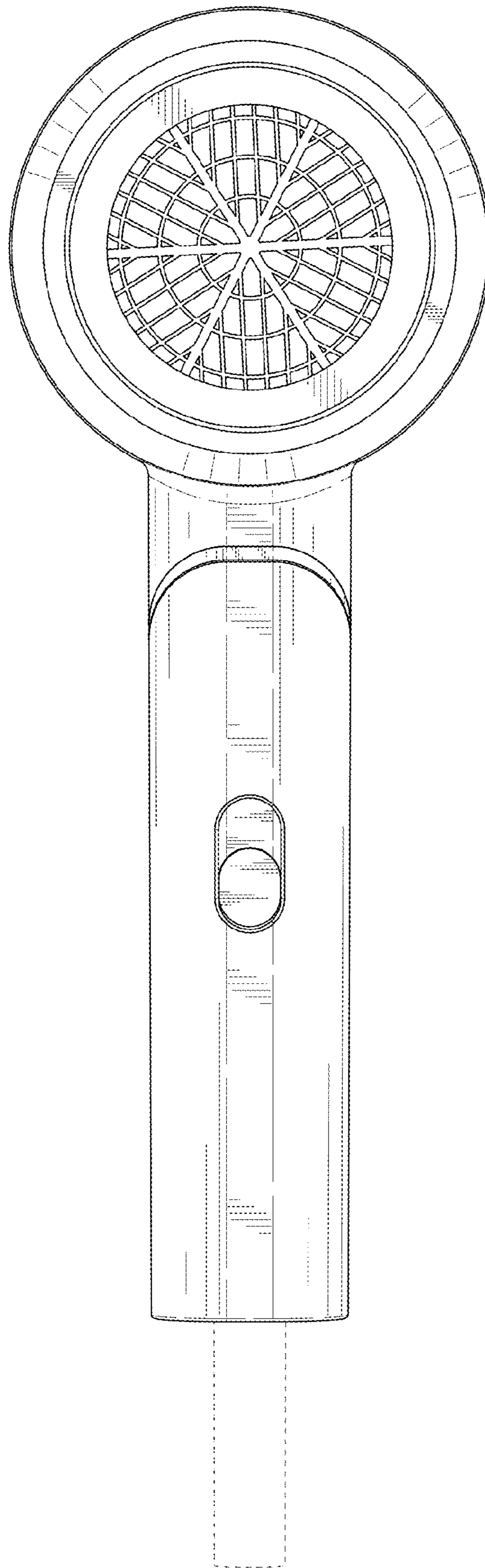


FIG. 5

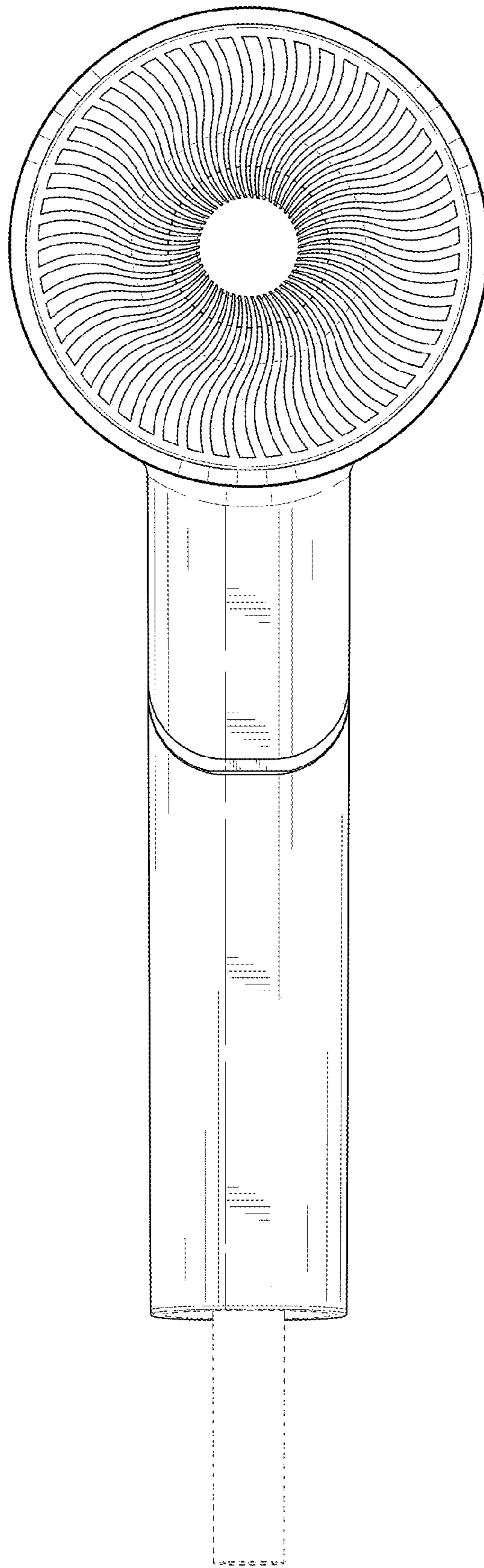


FIG. 6

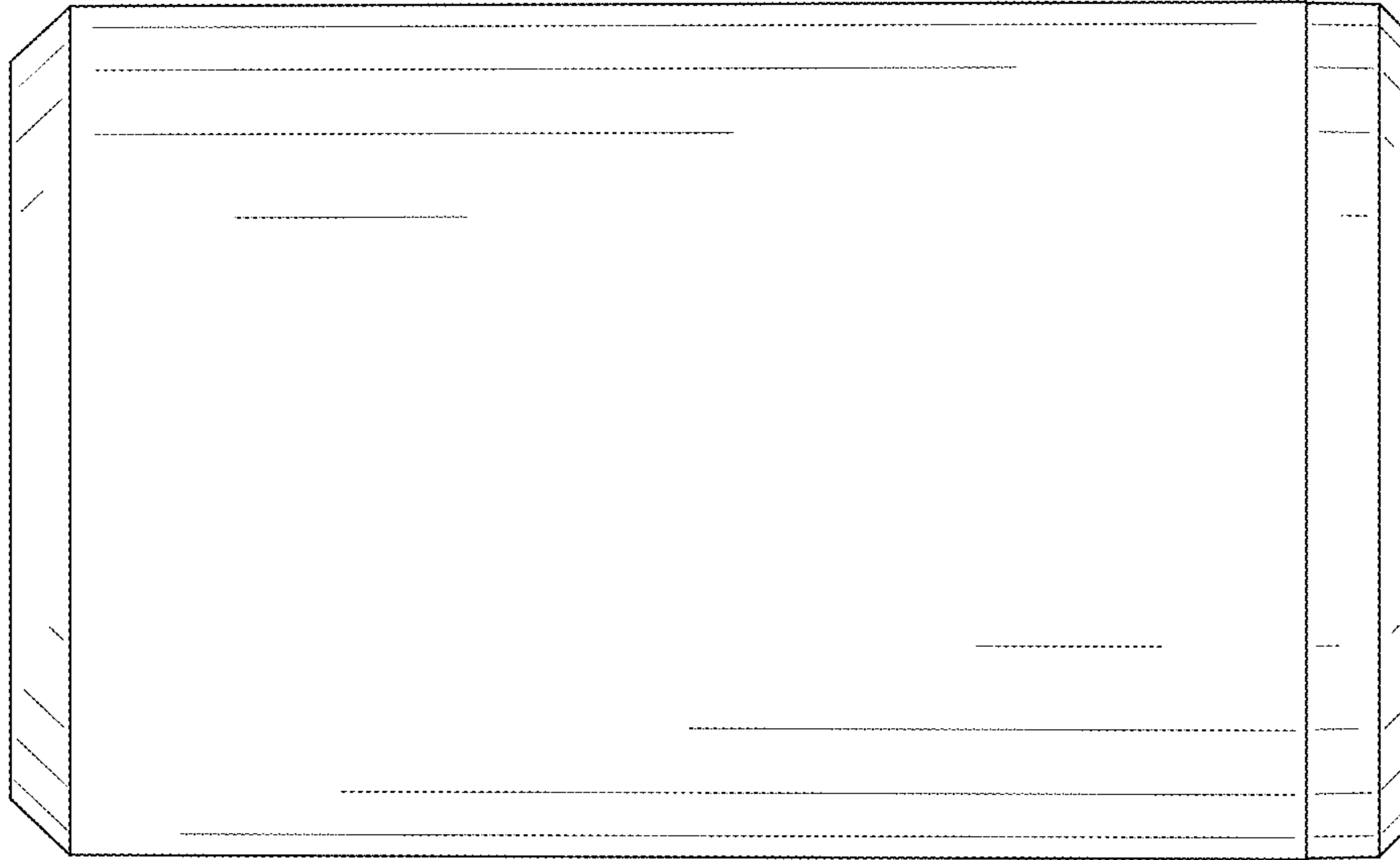


FIG. 7

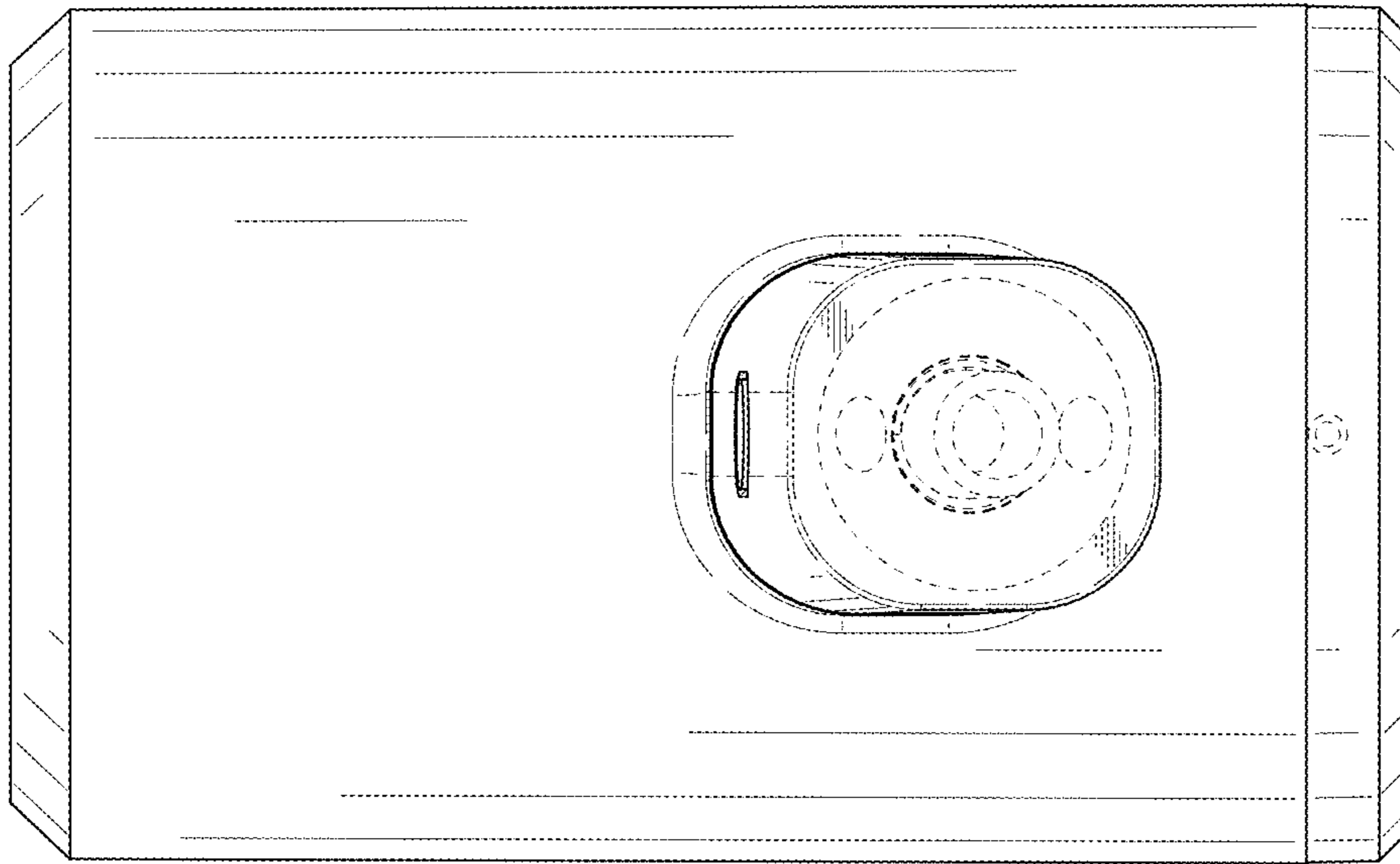


FIG. 8

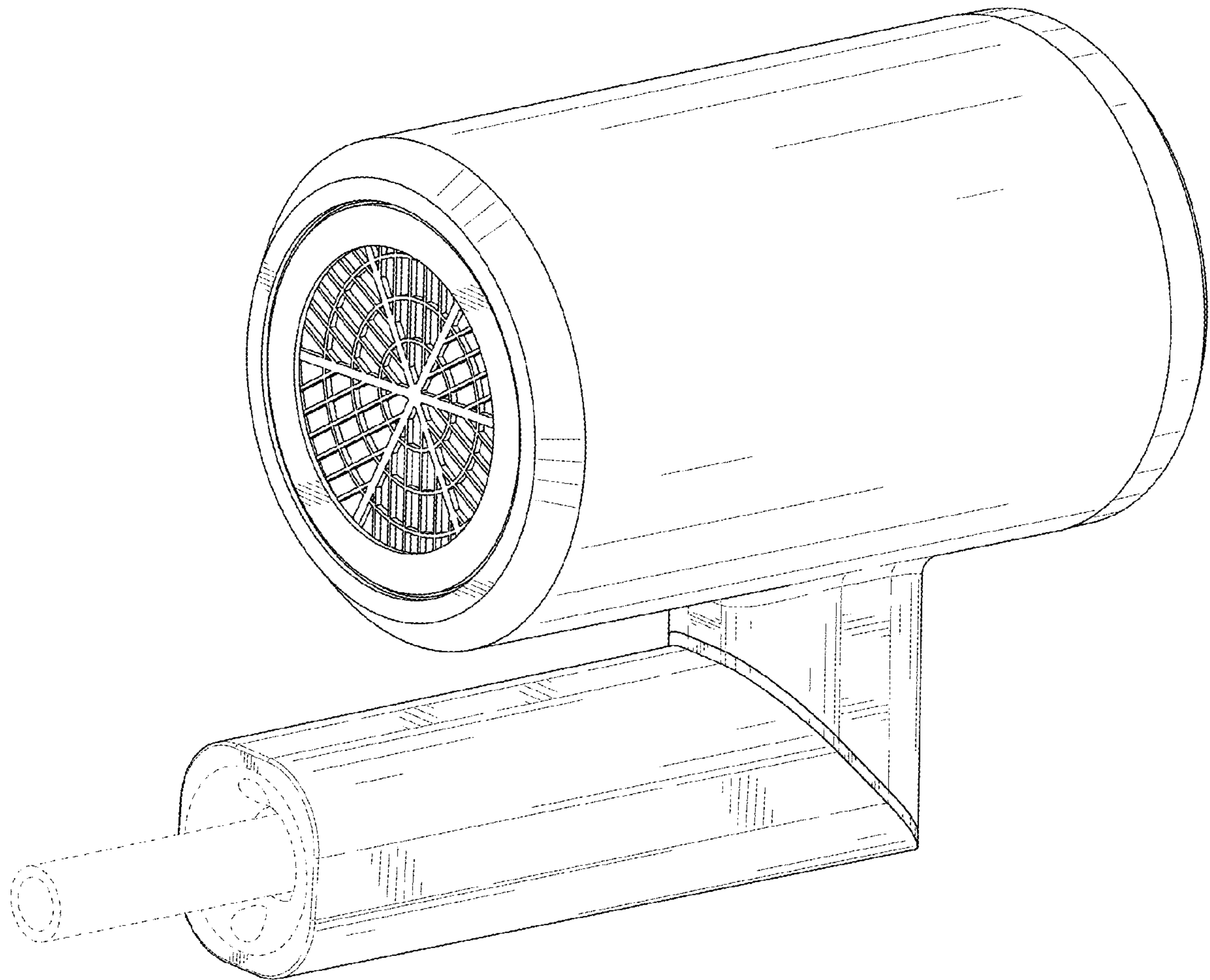


FIG. 9

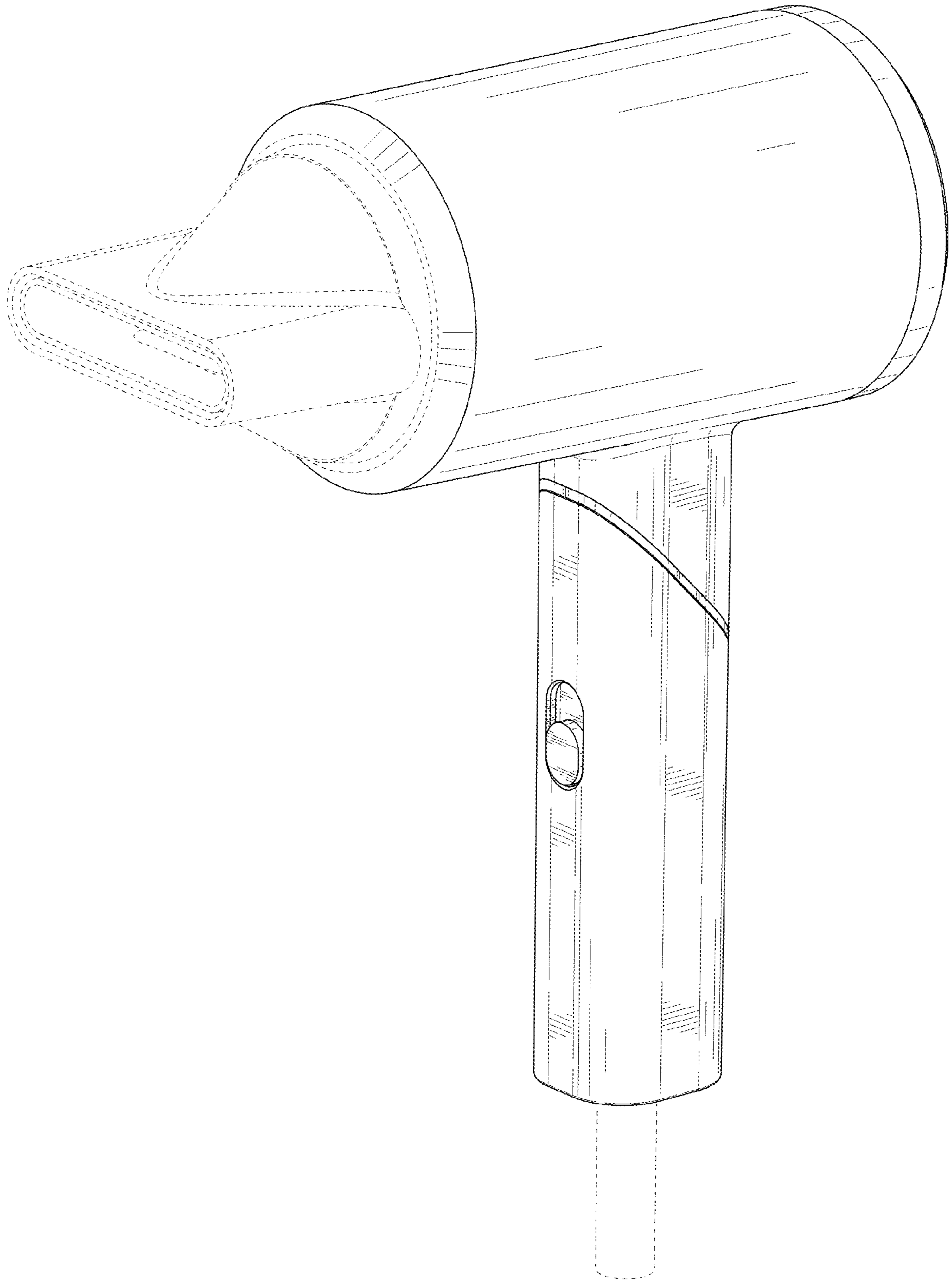


FIG. 10

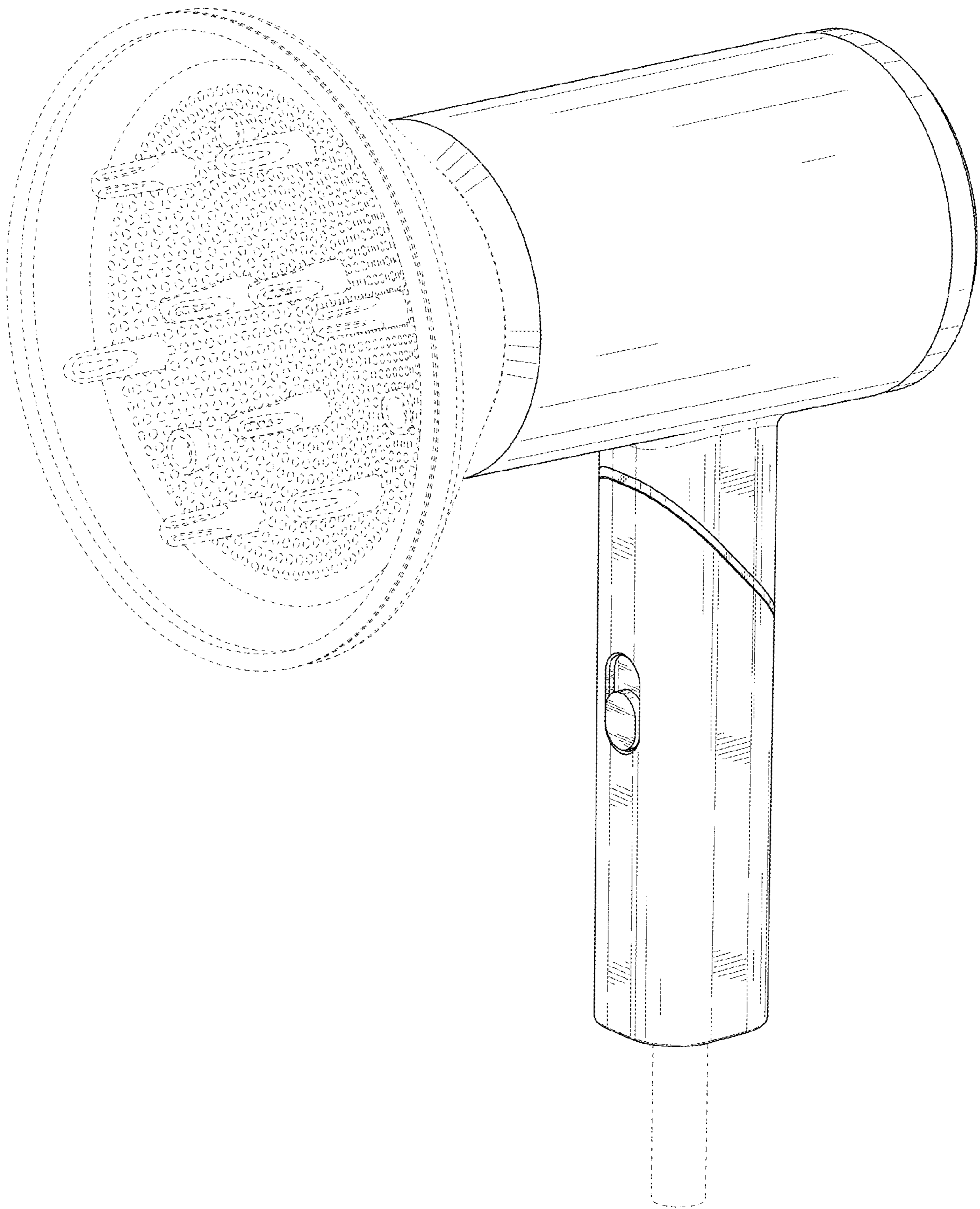


FIG. 11

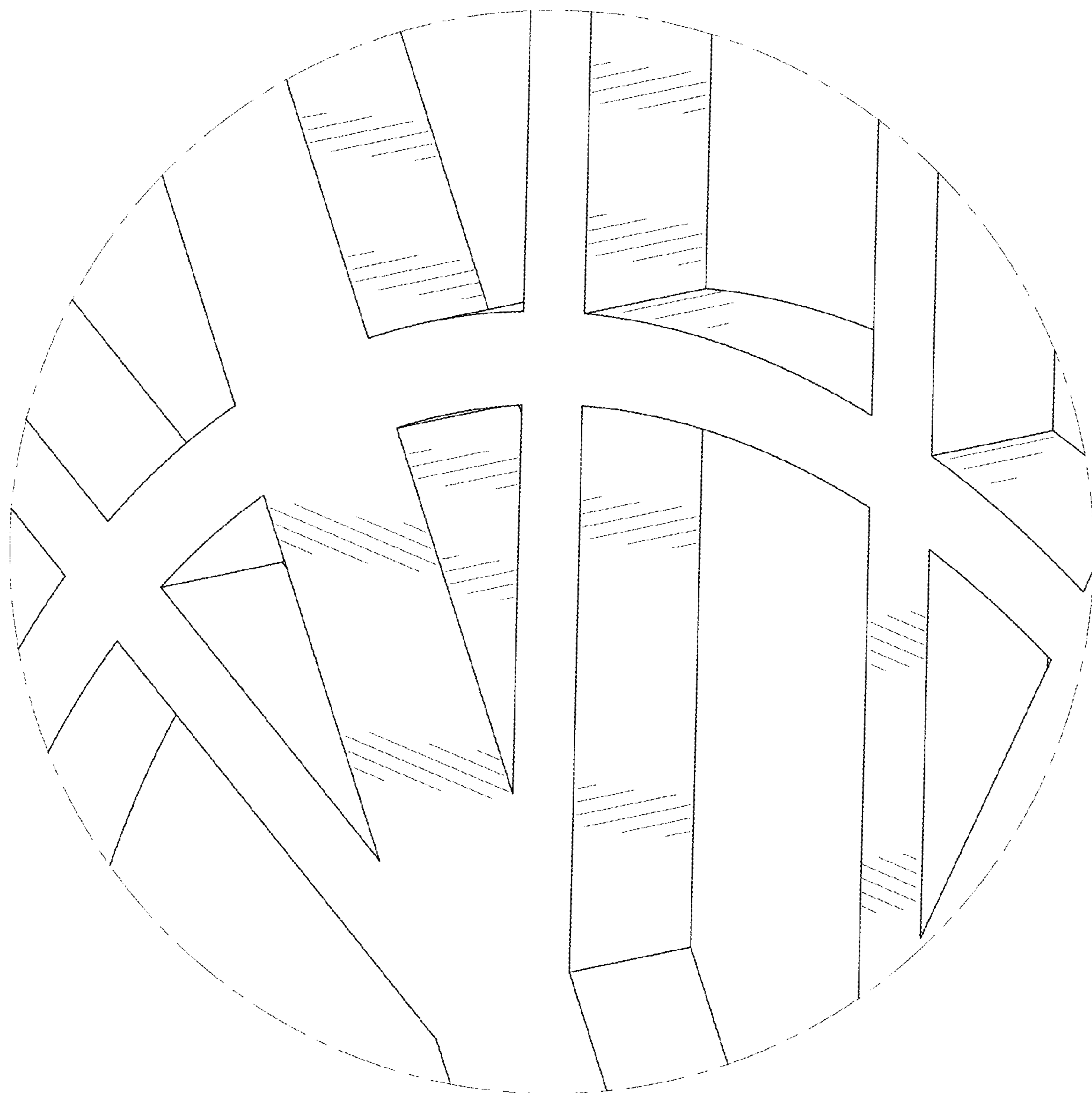


FIG. 12

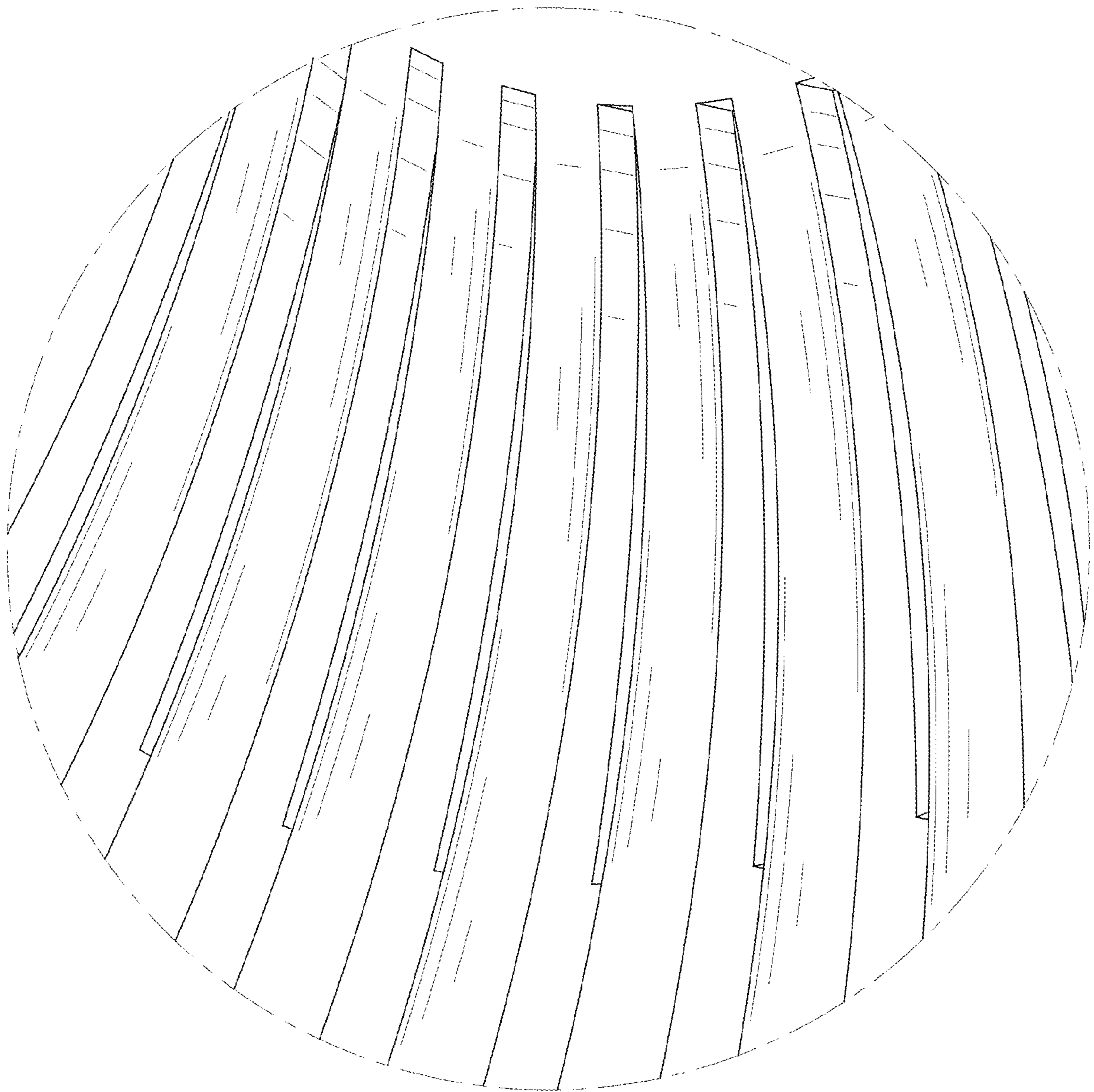


FIG. 13