



US00D965861S

(12) **United States Design Patent** (10) **Patent No.:** **US D965,861 S**  
**Bie et al.** (45) **Date of Patent:** **\*\* Oct. 4, 2022**

(54) **ATOMIZER FOR ELECTRONIC CIGARETTE**

*Primary Examiner* — Rebecca Tsehaye  
(74) *Attorney, Agent, or Firm* — Ladas & Parry LLP

(71) Applicant: **SHENZHEN SMOORE TECHNOLOGY LIMITED**,  
Guangdong (CN)

(57) **CLAIM**

The ornamental design for an atomizer for electronic cigarette, as shown and described.

(72) Inventors: **Chaoyong Bie**, Guangdong (CN);  
**Baosheng Lai**, Guangdong (CN)

**DESCRIPTION**

(73) Assignee: **SHENZHEN SMOORE TECHNOLOGY LIMITED**, Shenzhen (CN)

FIG. 1 is a front, left, and top perspective view of an atomizer for electronic cigarette showing my new design shown as component 1 removed from the assembly in FIGS. 17-24 for clarity of disclosure;

(\*\*) Term: **15 Years**

FIG. 2 is a rear, right, and bottom perspective view thereof;

(21) Appl. No.: **29/773,916**

FIG. 3 is a front elevation view thereof;

(22) Filed: **Mar. 12, 2021**

FIG. 4 is a rear elevation view thereof;

(30) **Foreign Application Priority Data**

Sep. 14, 2020 (CN) ..... 202030544701.8

FIG. 5 is a left side view thereof;

(51) **LOC (13) Cl.** ..... **27-02**

FIG. 6 is a right side view thereof;

(52) **U.S. Cl.**  
USPC ..... **D27/162**

FIG. 7 is a top view thereof;

(58) **Field of Classification Search**  
USPC ..... D27/162, 100, 101, 163–165, 172,  
D27/174–176, 183, 185–194; D24/110,  
D24/110.5

FIG. 8 is a bottom view thereof

(Continued)

FIG. 9 is a front, left, and top perspective view of an atomizer for electronic cigarette showing my new design shown as component 2 removed from the assembly in FIGS. 17-24 for clarity of disclosure;

(56) **References Cited**

**U.S. PATENT DOCUMENTS**

D740,488 S \* 10/2015 Leidel ..... D27/167  
D771,307 S \* 11/2016 Wu ..... D27/101

(Continued)

FIG. 10 is rear, right, and bottom perspective view thereof;

FIG. 11 is a front elevation view thereof;

FIG. 12 is a rear elevation view thereof;

FIG. 13 is a left side view thereof;

FIG. 14 is a right side view thereof;

FIG. 15 is a top view thereof;

FIG. 16 is a bottom view thereof

FIG. 17 is a front, left, and top perspective view of an atomizer for electronic cigarette showing my new design where the component 1 and the component 2 are shown in an assembled state of use;

FIG. 18 is rear, right, and bottom perspective view thereof;

FIG. 19 is a front elevation view thereof;

FIG. 20 is a rear elevation view thereof;

FIG. 21 is a left side view thereof;

FIG. 22 is a right side view thereof;

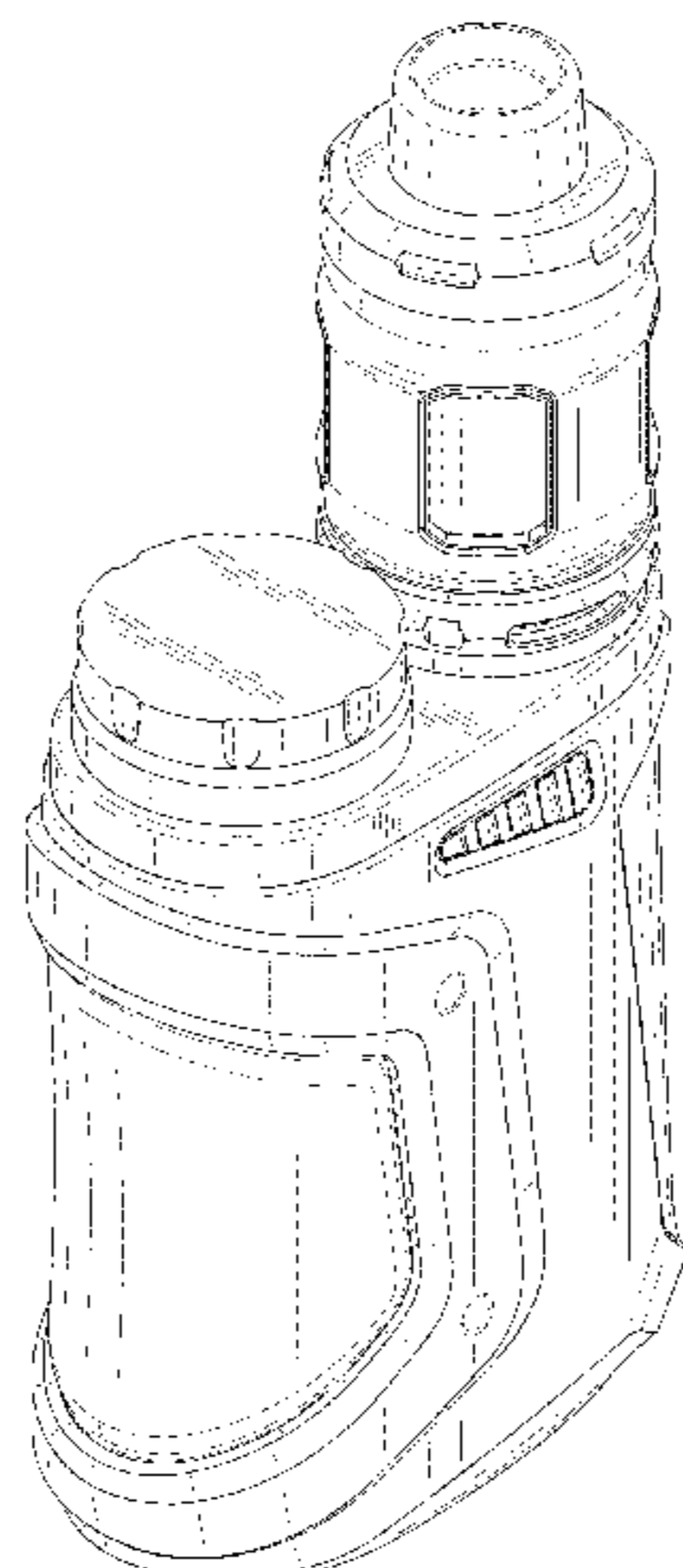
FIG. 23 is a top view thereof; and,

FIG. 24 is a bottom view thereof.

(Continued)

**OTHER PUBLICATIONS**

OFRF NexMESH Subohm Tank By: ECIG found on line (Apr. 20, 2022) <https://www.e-cig.gr/en/e-cigarettes/atomizers-coils/non-repairable/ofrf-nexmesh-subohm-tank-2ml-5ml> (Sep. 30, 2019).\*



The broken (dashed) lines show portions of the atomizer for electronic cigarette that form no part of the claimed design.

**1 Claim, 24 Drawing Sheets**

**(58) Field of Classification Search**

CPC .... A24F 47/002; A24F 47/006; A24F 47/008;  
A61M 15/00; A61M 15/06

See application file for complete search history.

**(56) References Cited**

U.S. PATENT DOCUMENTS

D826,471	S	*	8/2018	Wang	.....	D27/167
D836,243	S	*	12/2018	Liu	.....	D27/167
D854,739	S	*	7/2019	Li	.....	D27/162
D861,978	S	*	10/2019	Lai	.....	D27/194
D881,456	S	*	4/2020	Chen	.....	D27/162
D883,567	S	*	5/2020	Liu	.....	D27/162
D900,387	S	*	10/2020	Liu	.....	D27/162
D917,778	S	*	4/2021	Liu	.....	D27/162
D920,572	S	*	5/2021	Liu	.....	D27/162
D921,285	S	*	6/2021	Liu	.....	D27/162
D923,867	S	*	6/2021	Liu	.....	D27/167
D926,358	S	*	7/2021	Liu	.....	D27/162
D926,360	S	*	7/2021	Liu	.....	D27/162
D926,365	S	*	7/2021	Liu	.....	D27/167
D928,397	S	*	8/2021	Liu	.....	D27/162
D932,097	S	*	9/2021	Liu	.....	D27/162
D934,490	S	*	10/2021	Shi	.....	D27/162
D942,069	S	*	1/2022	Shi	.....	D27/162
D943,815	S	*	2/2022	Liu	.....	D27/162
D948,778	S	*	4/2022	Liu	.....	D27/162
D948,779	S	*	4/2022	Liu	.....	D27/162

\* cited by examiner

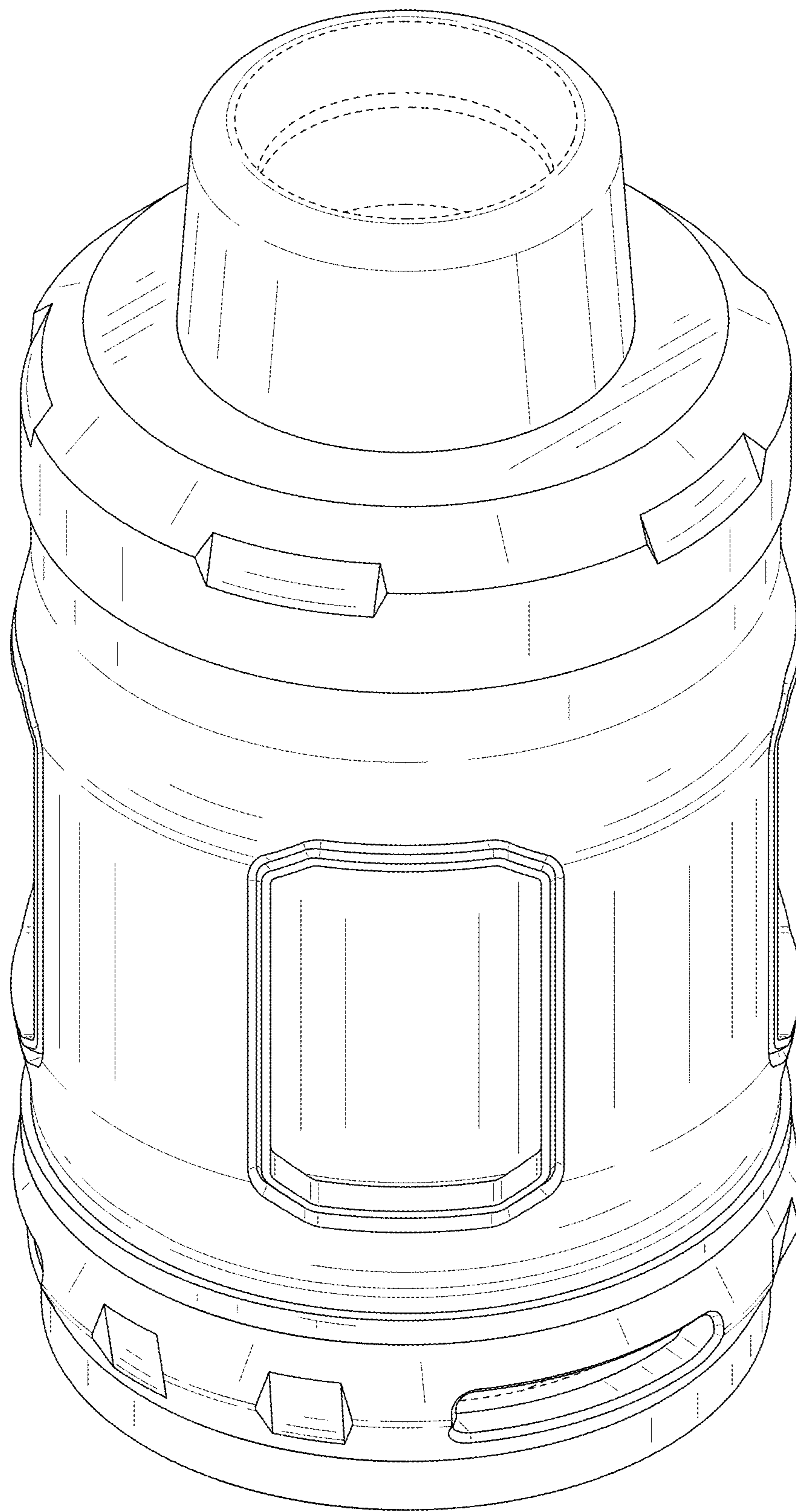


FIG. 1



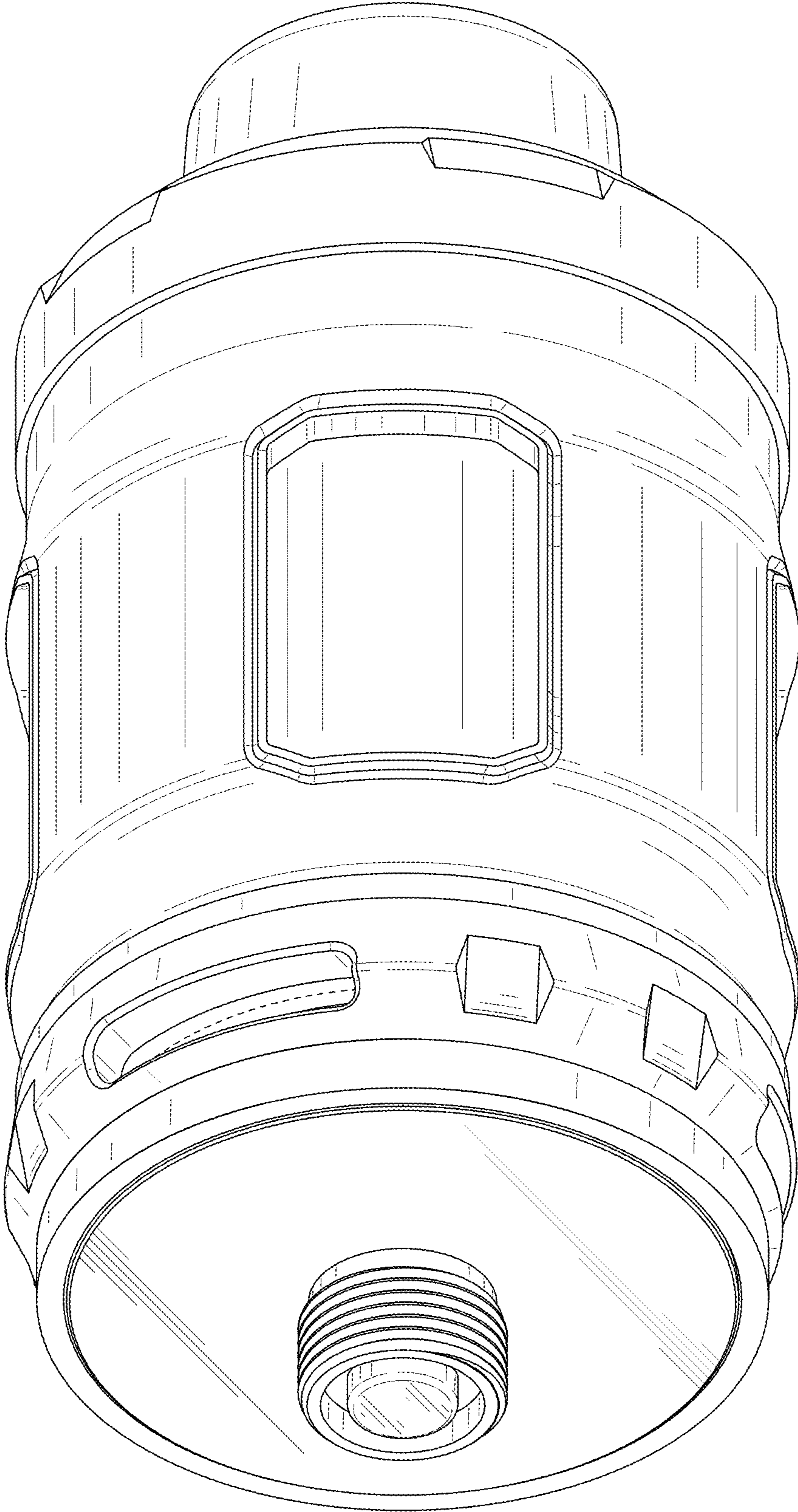


FIG. 2

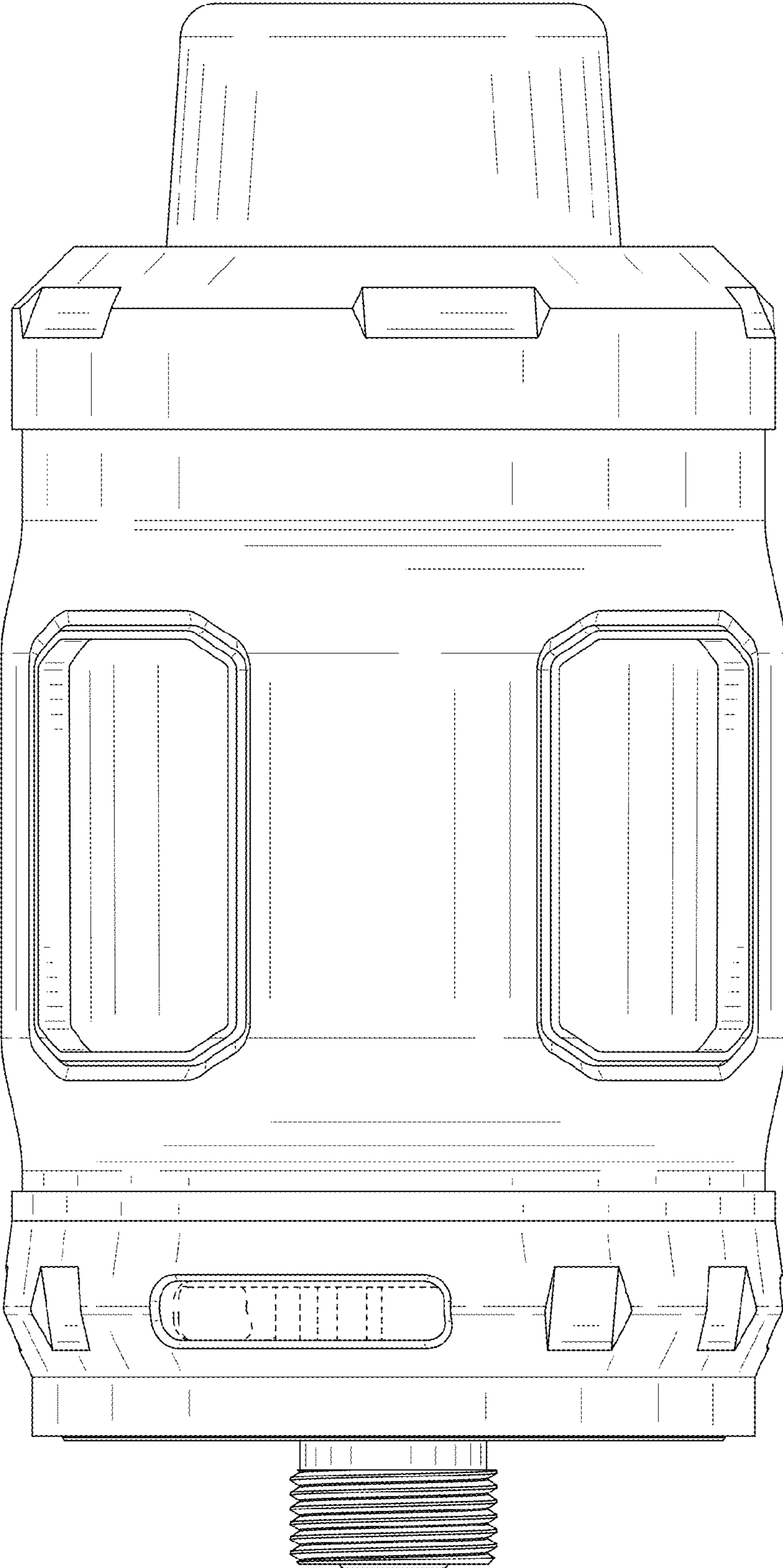


FIG. 3

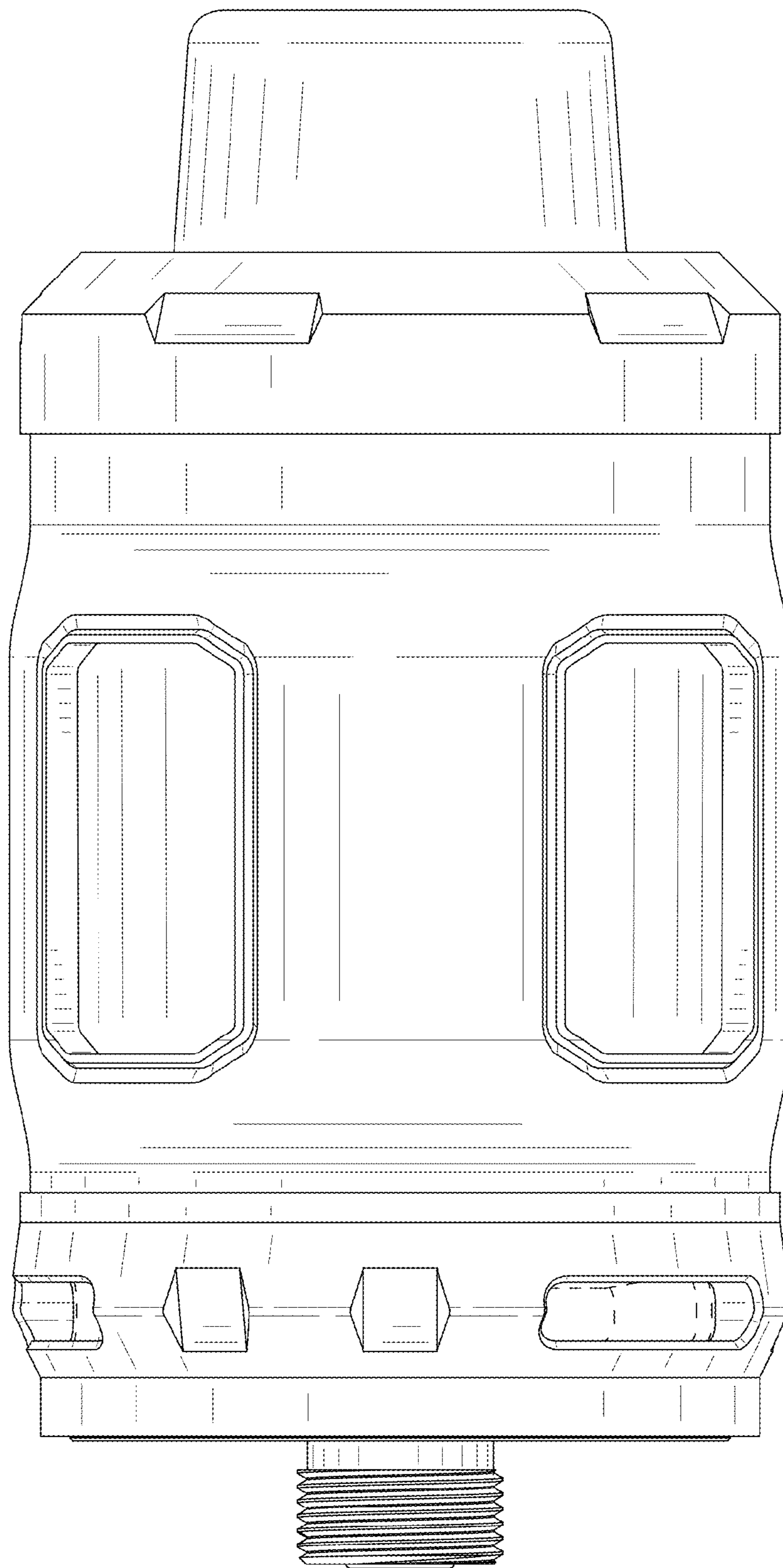


FIG.4

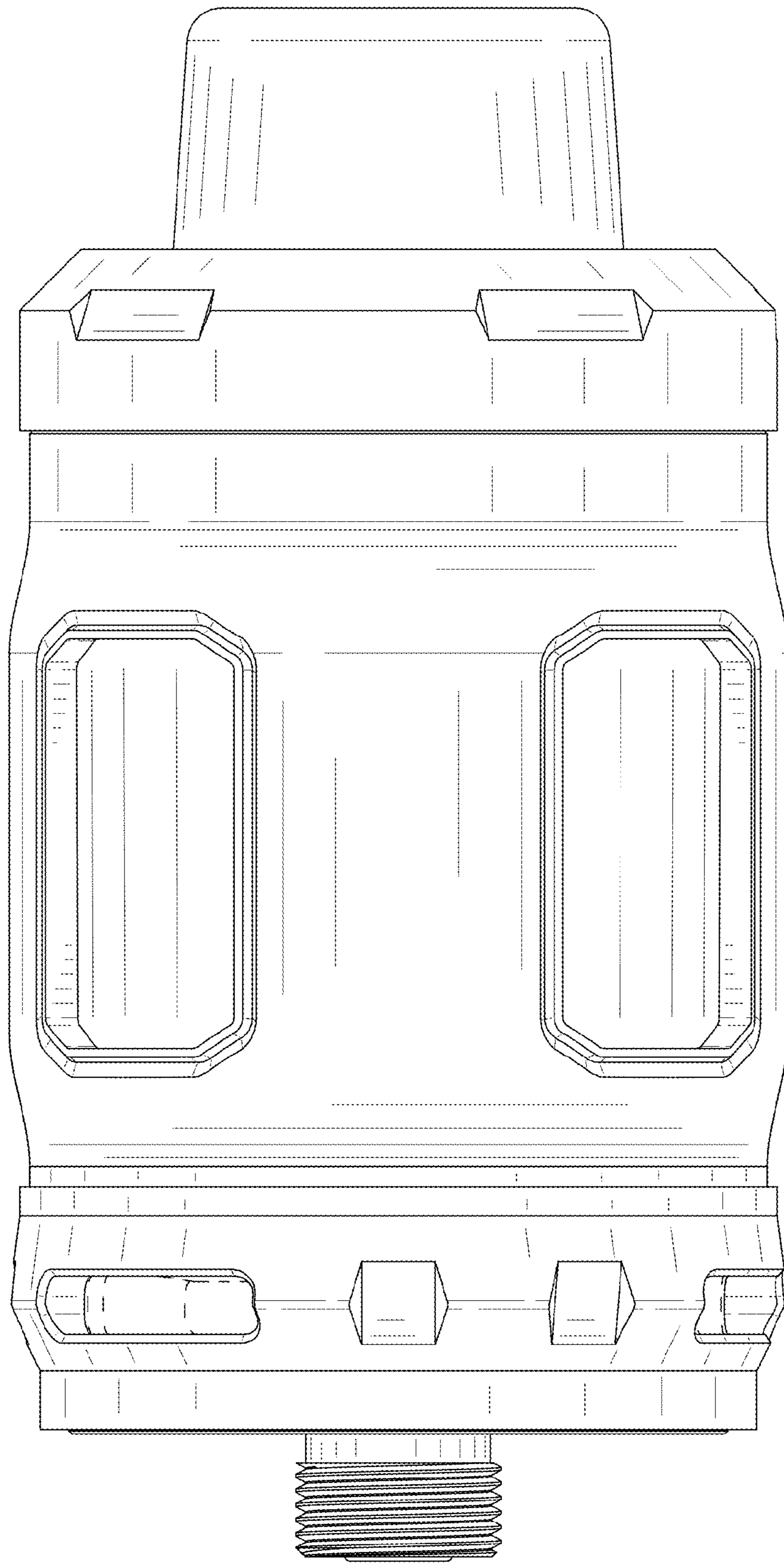


FIG.5



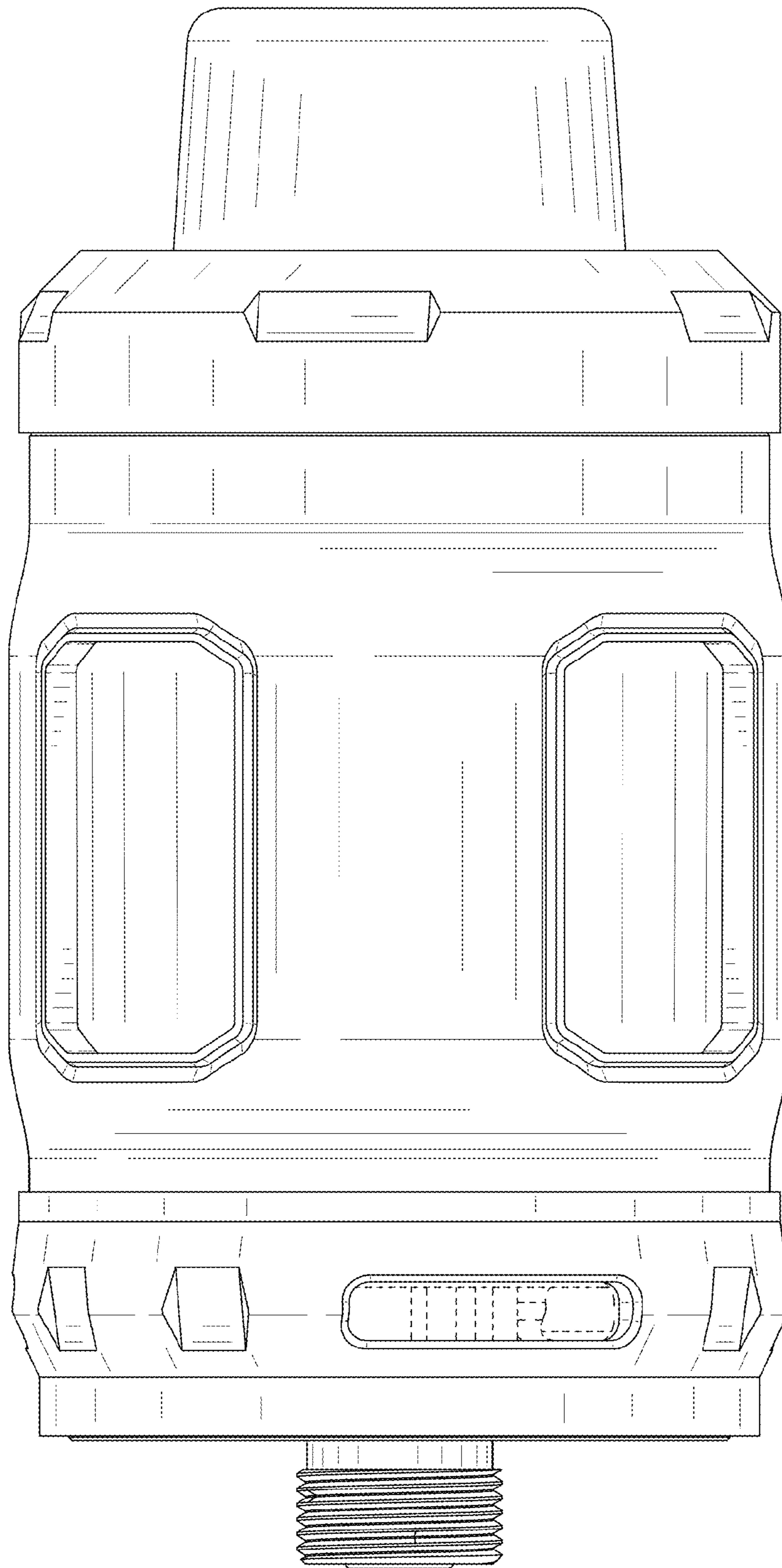


FIG. 6



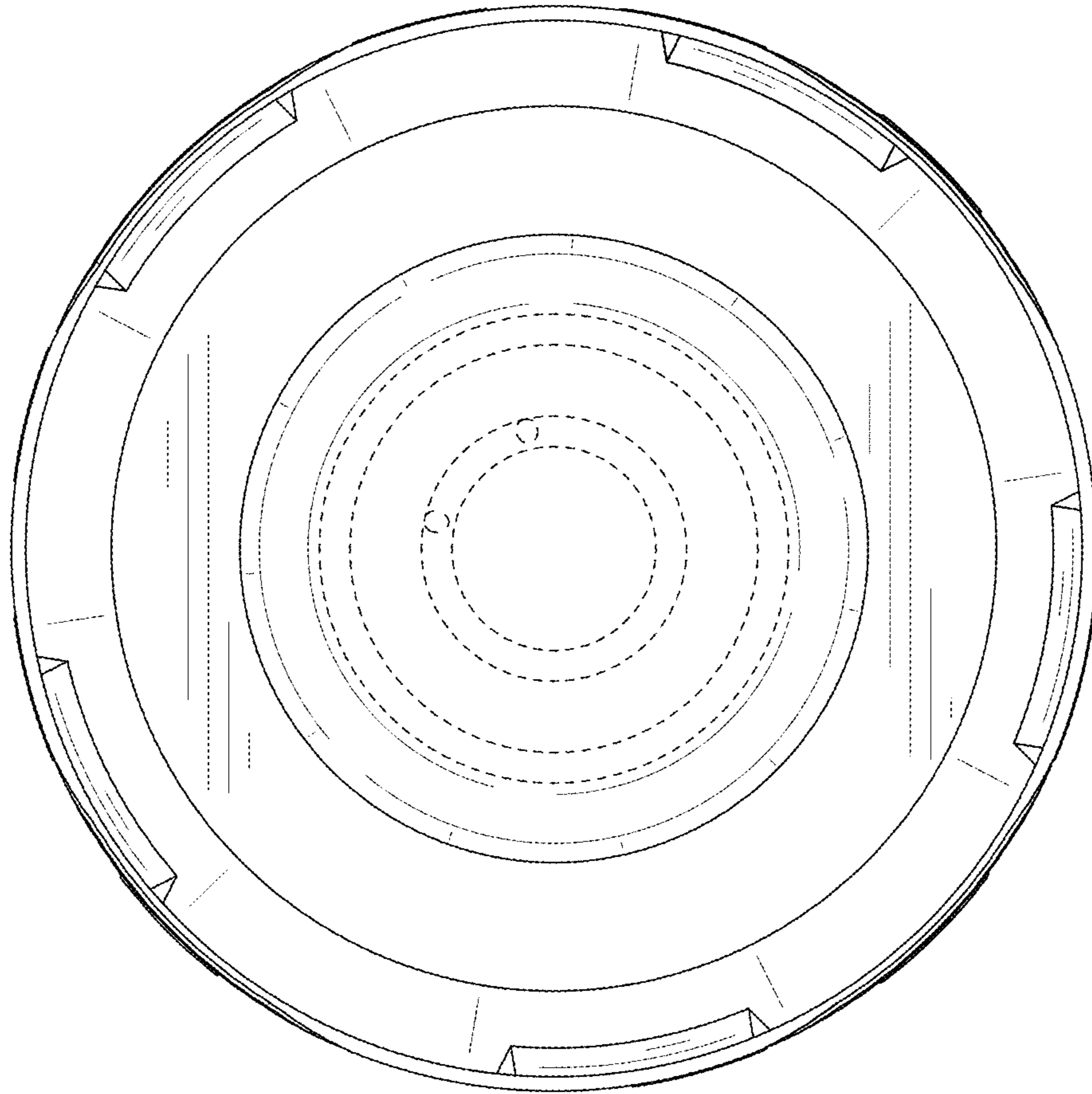


FIG. 7

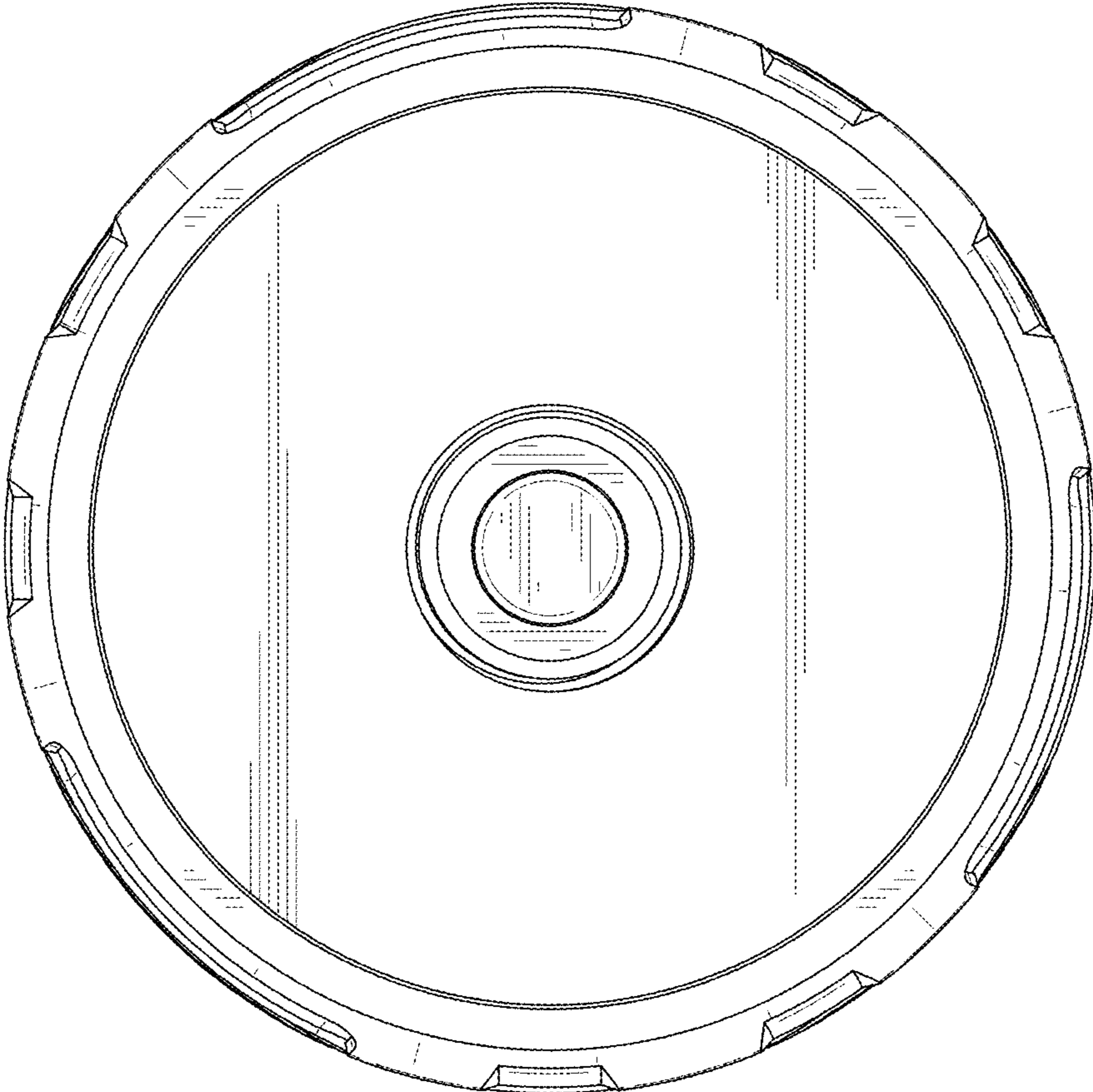


FIG. 8

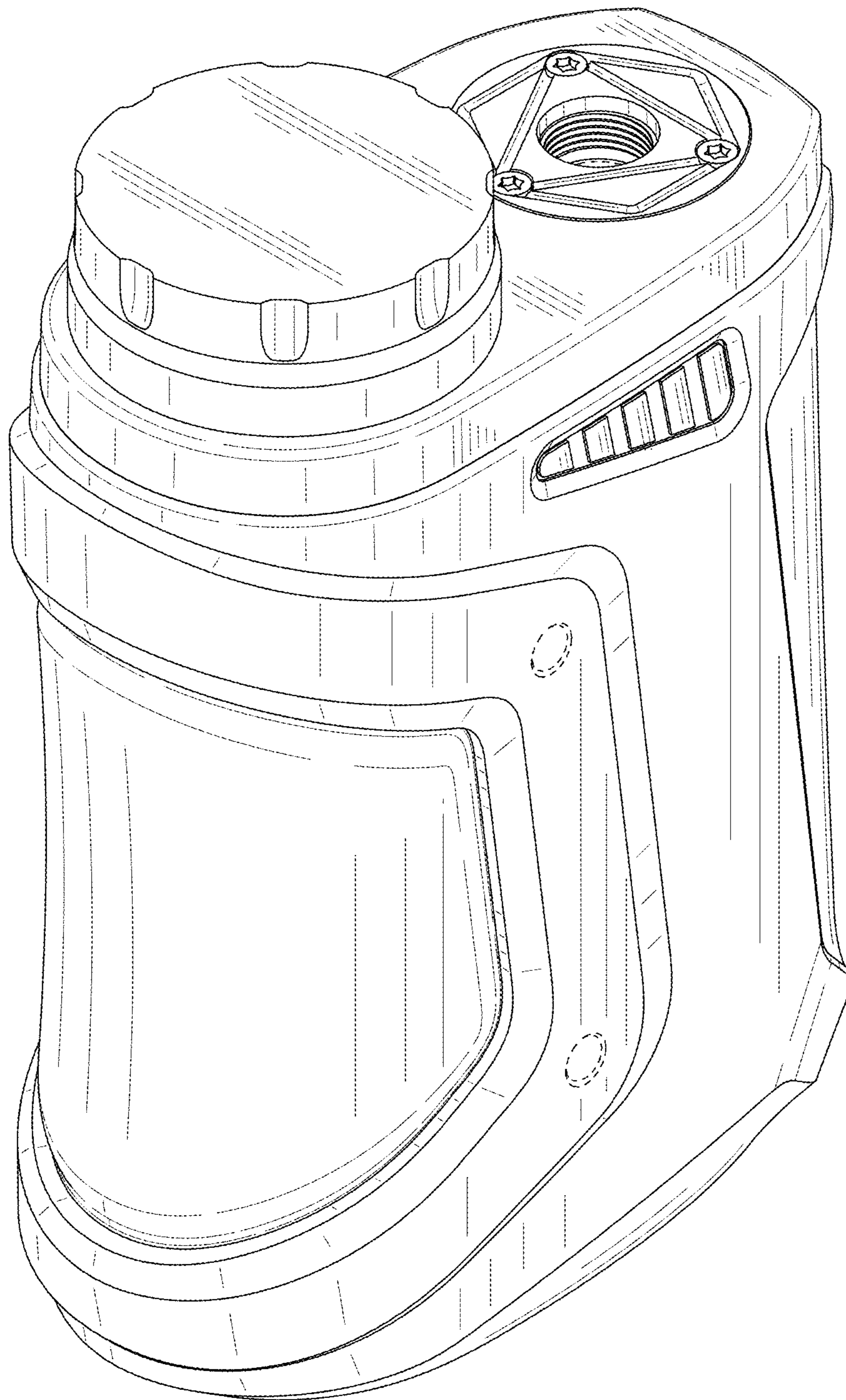


FIG. 9

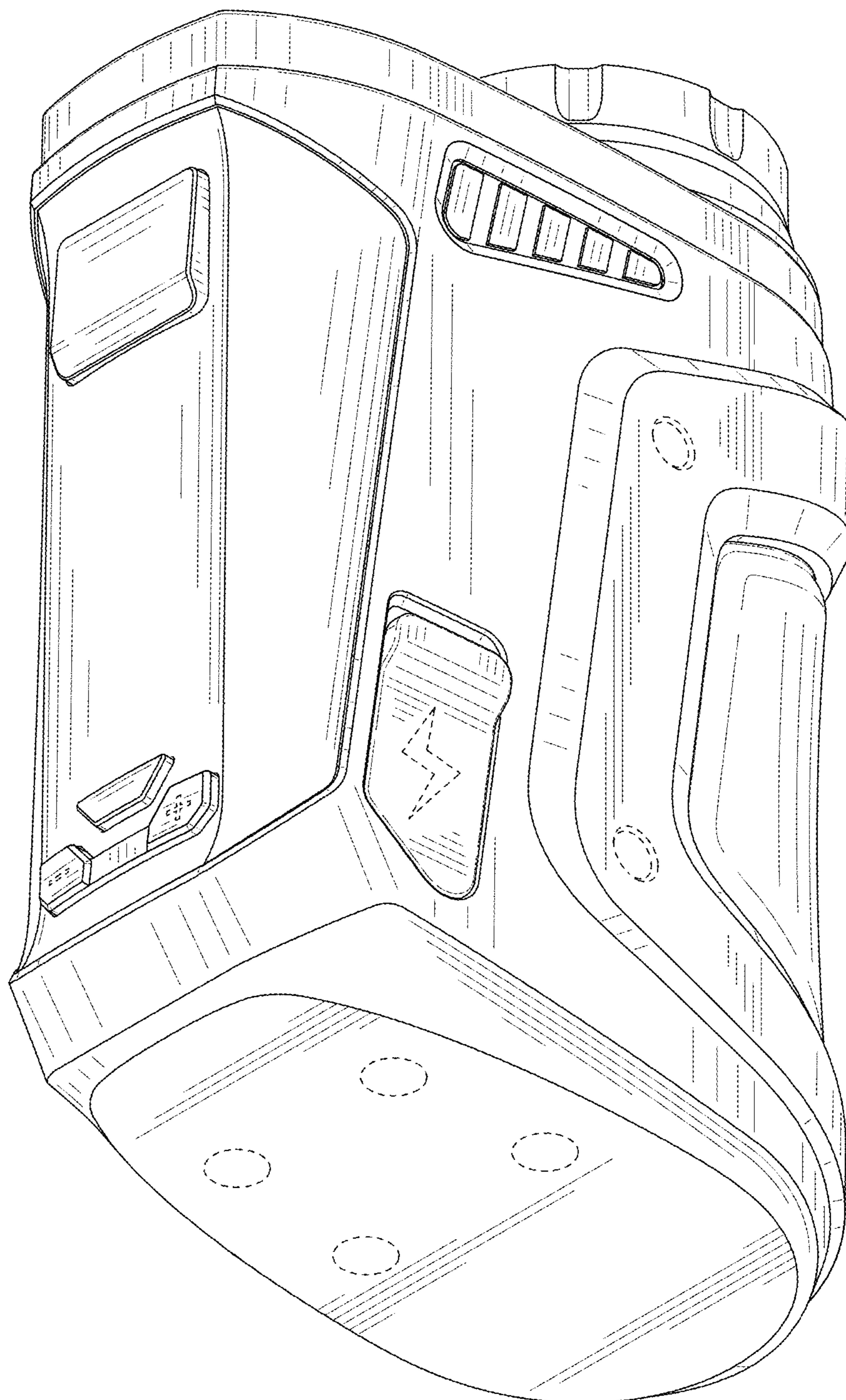


FIG. 10



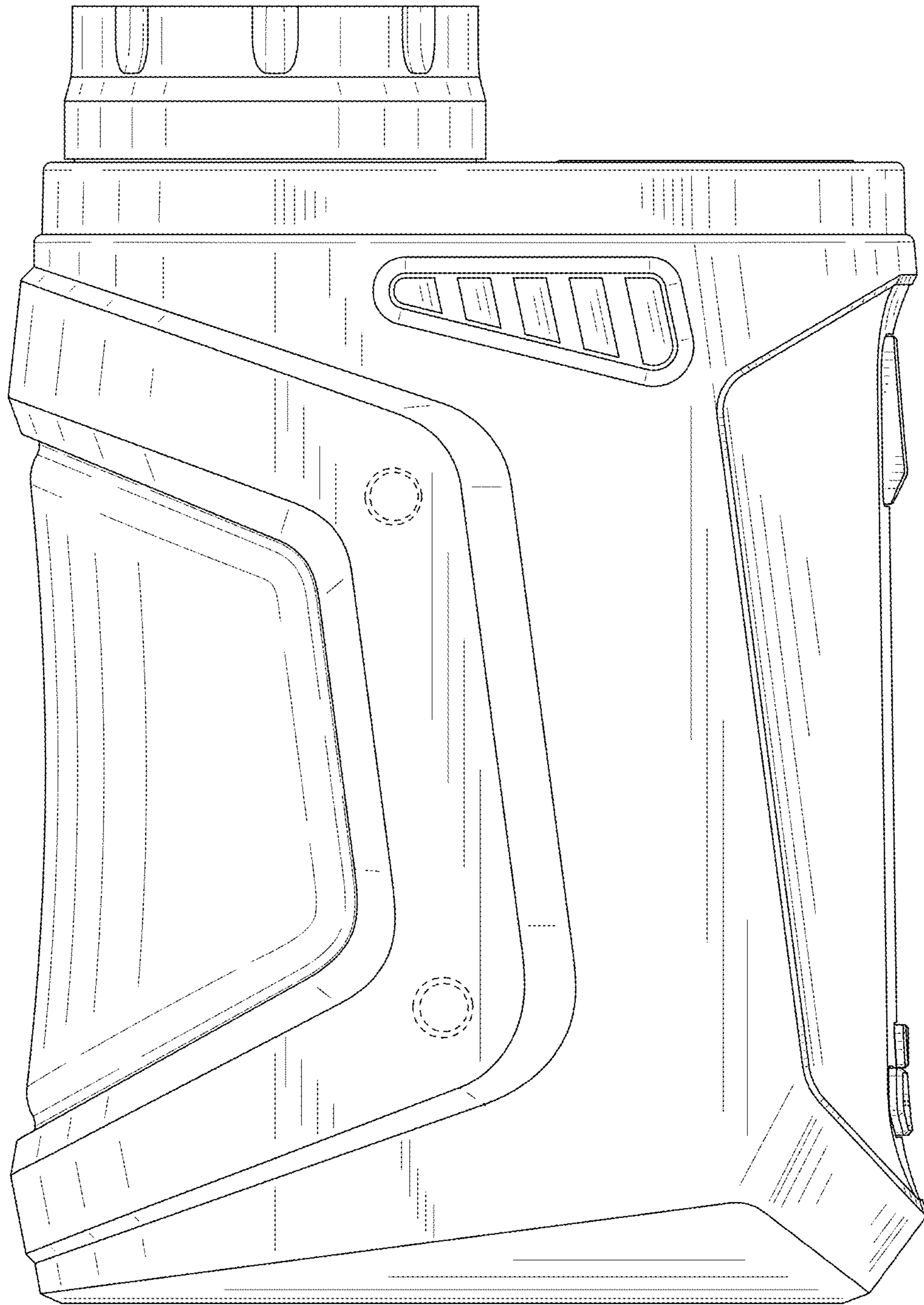


FIG. 11

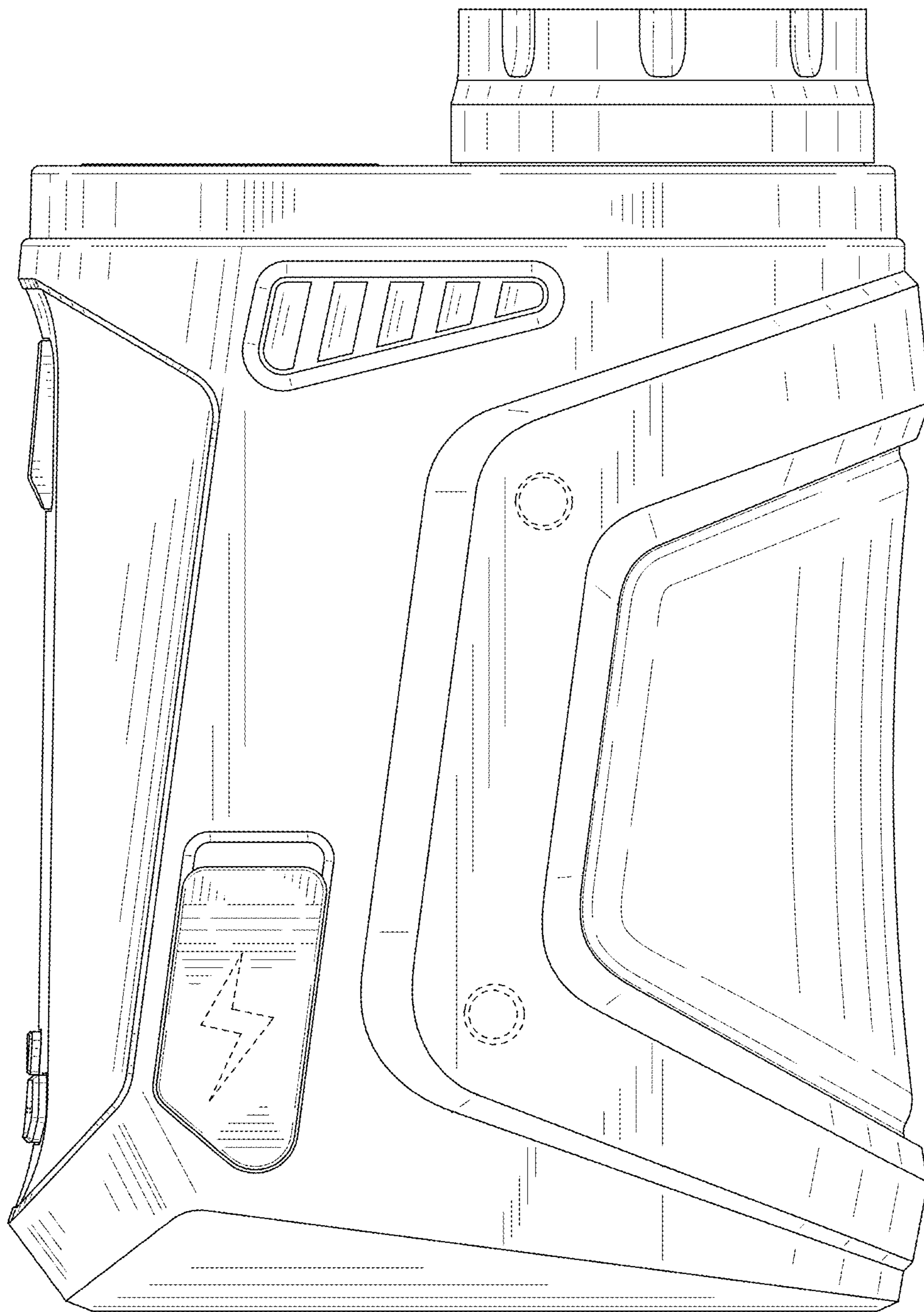


FIG. 12

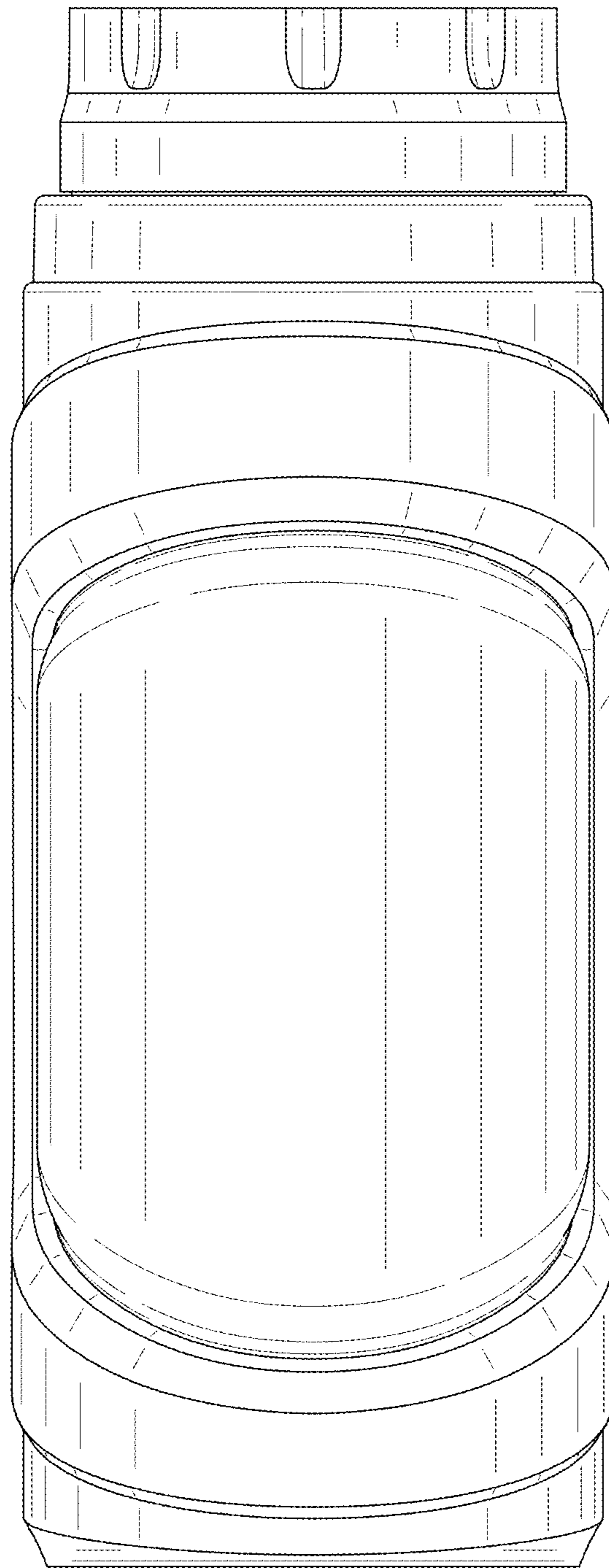


FIG. 13

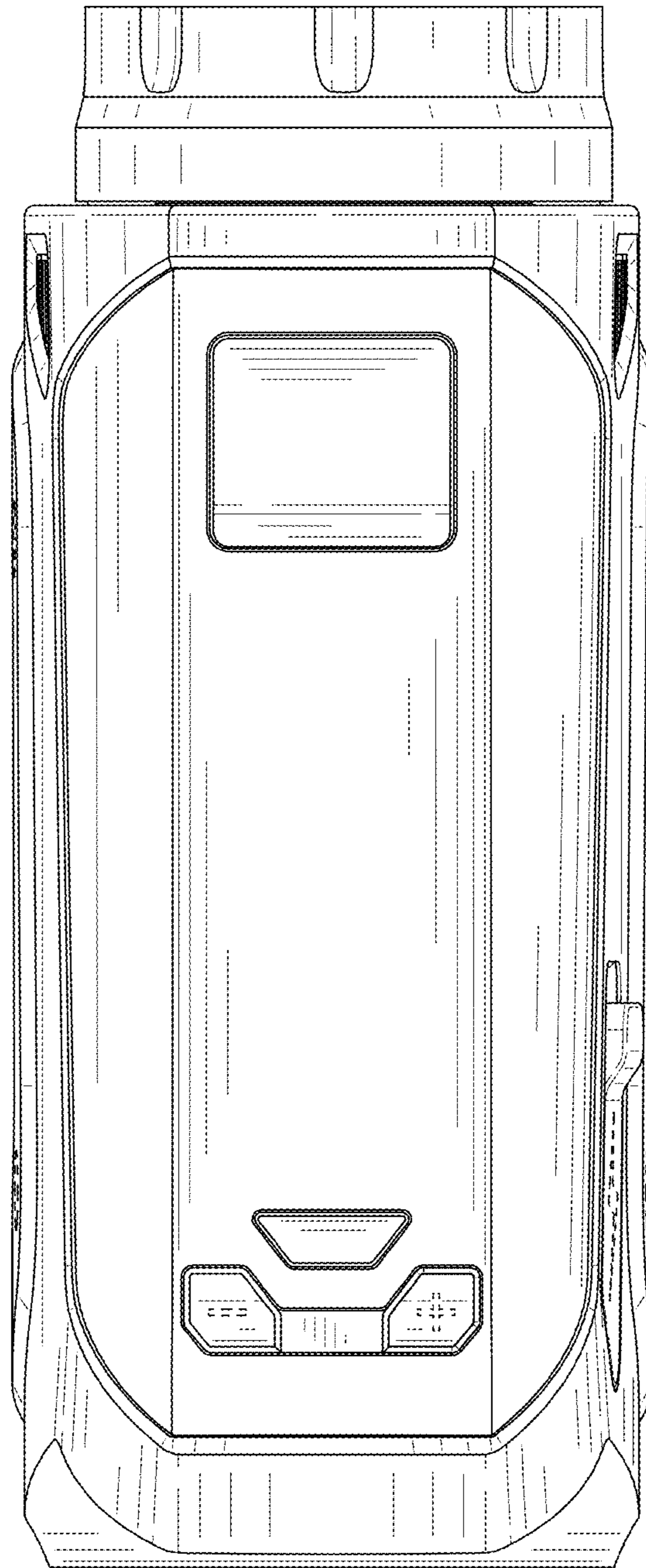


FIG. 14



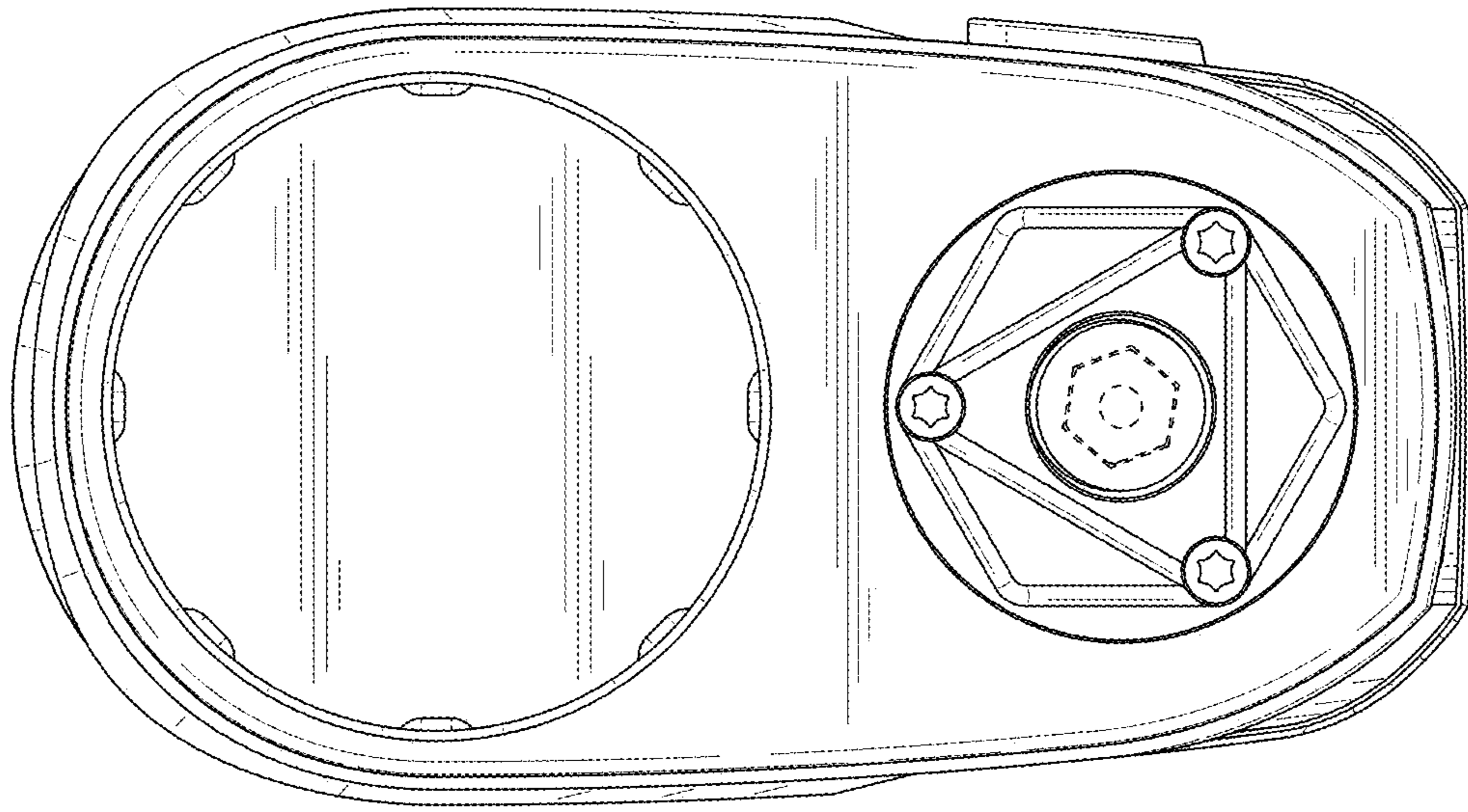


FIG. 15

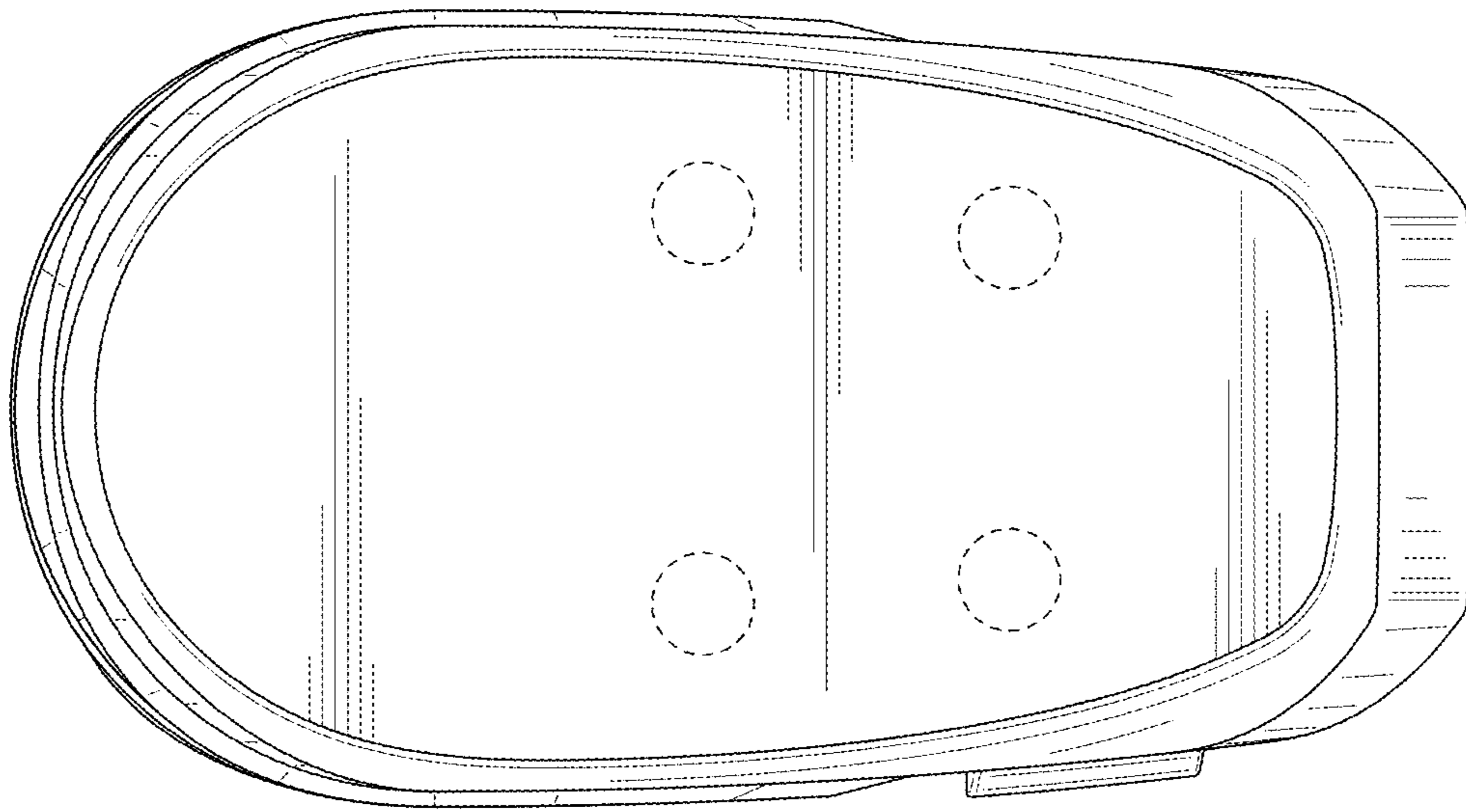


FIG. 16

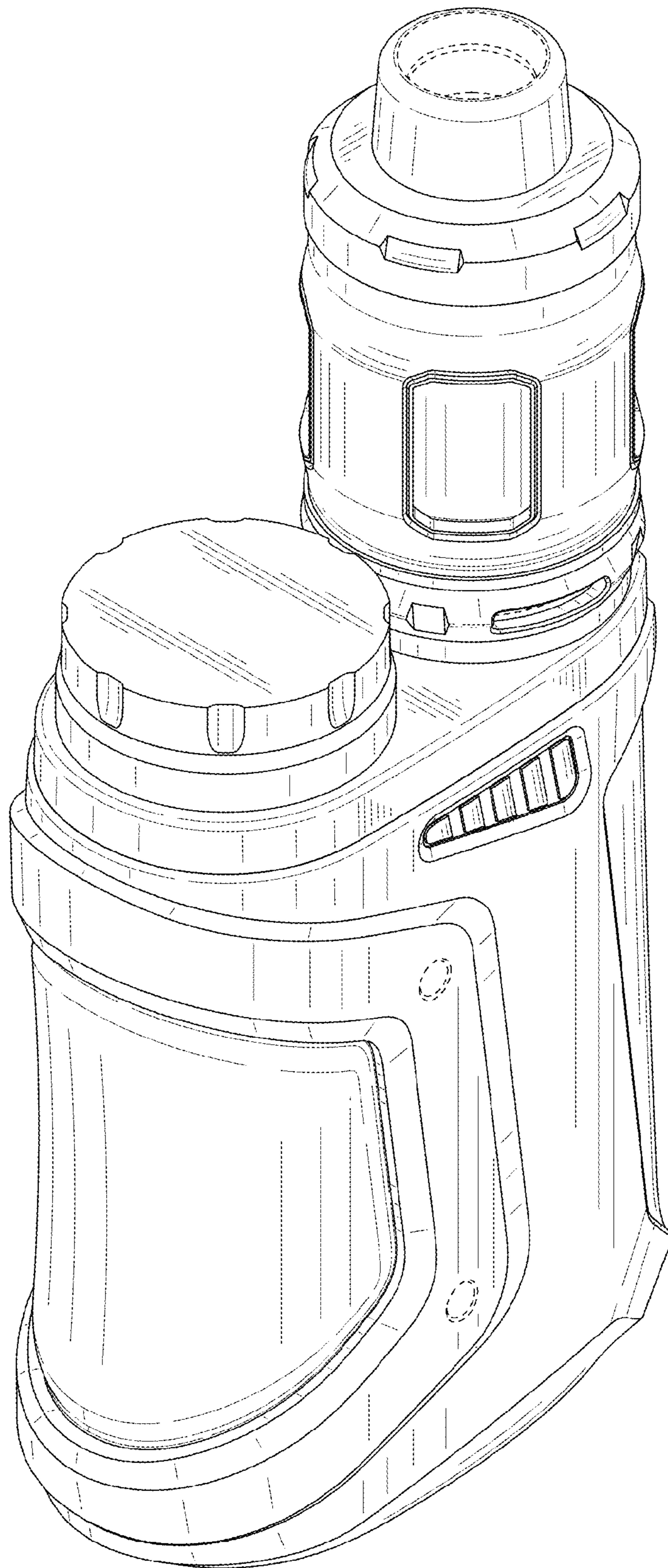


FIG. 17

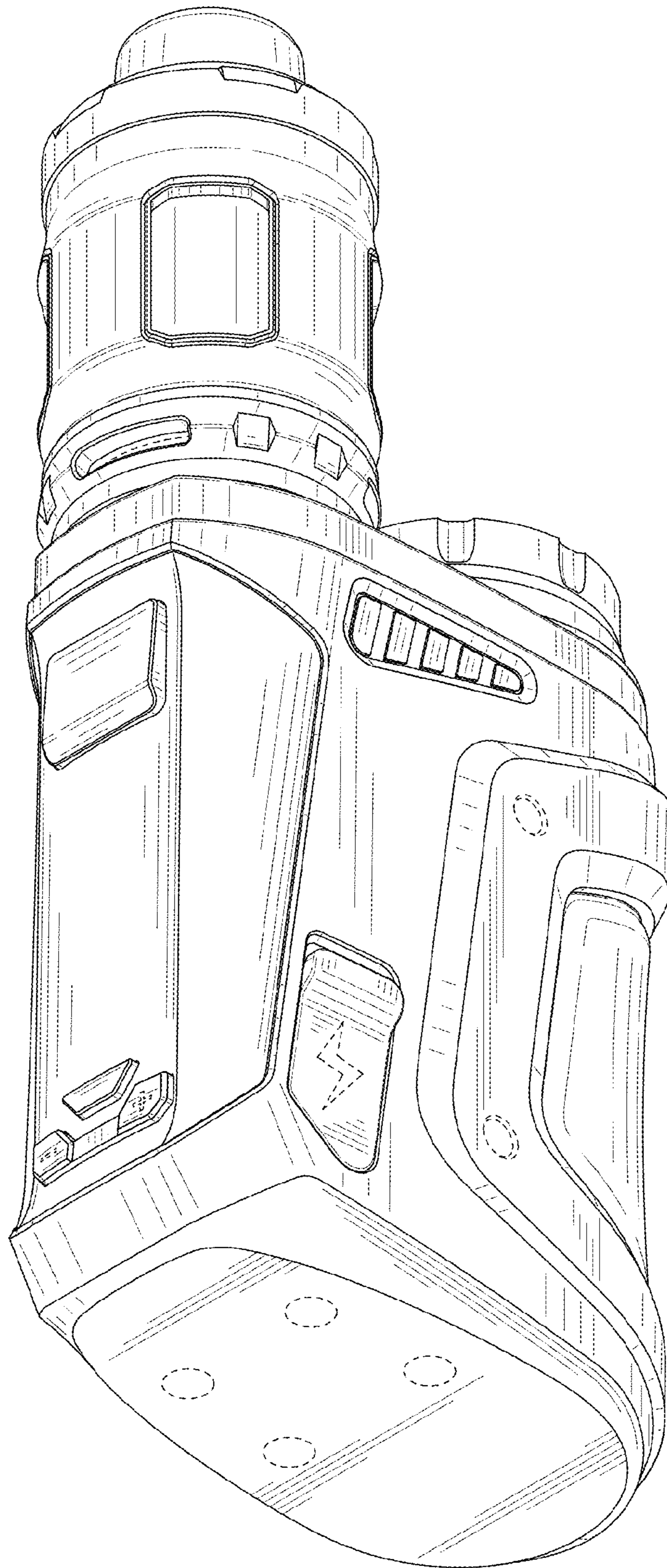


FIG. 18



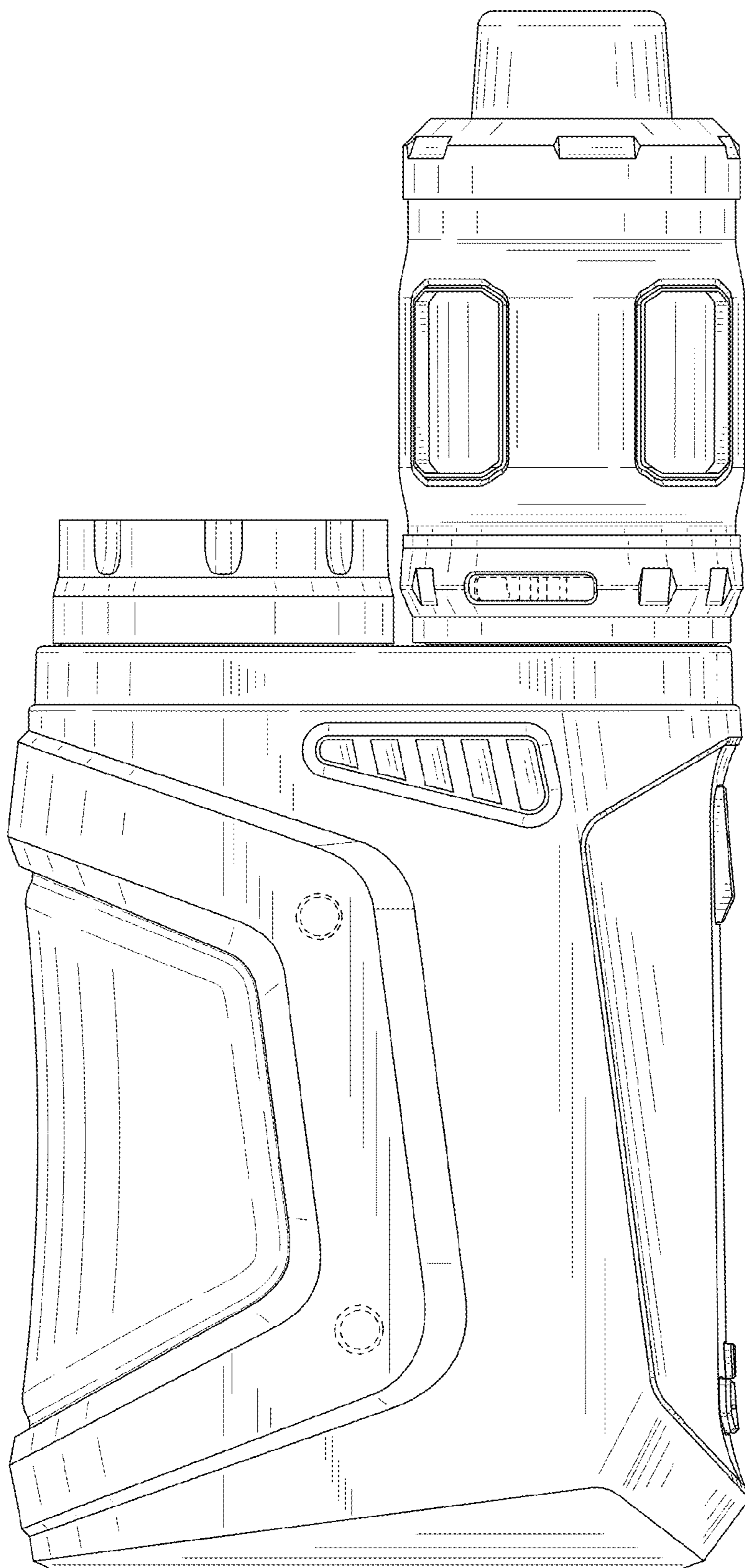


FIG. 19

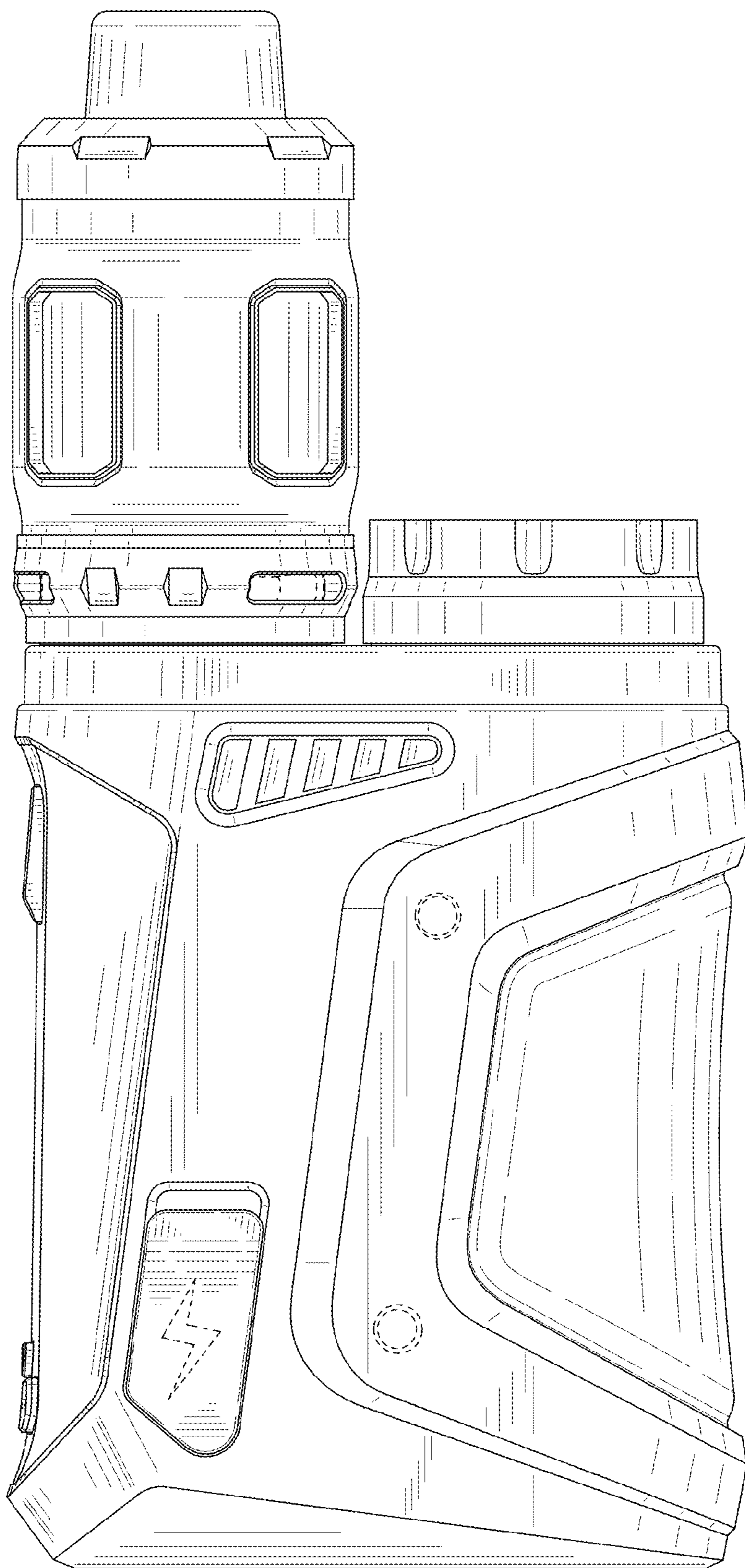


FIG. 20

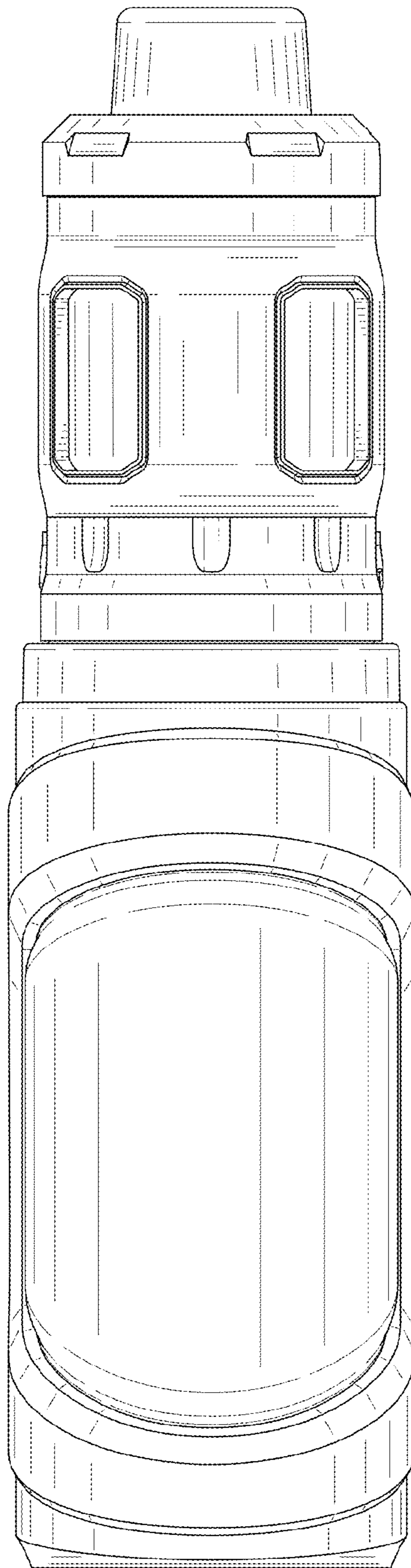


FIG. 21

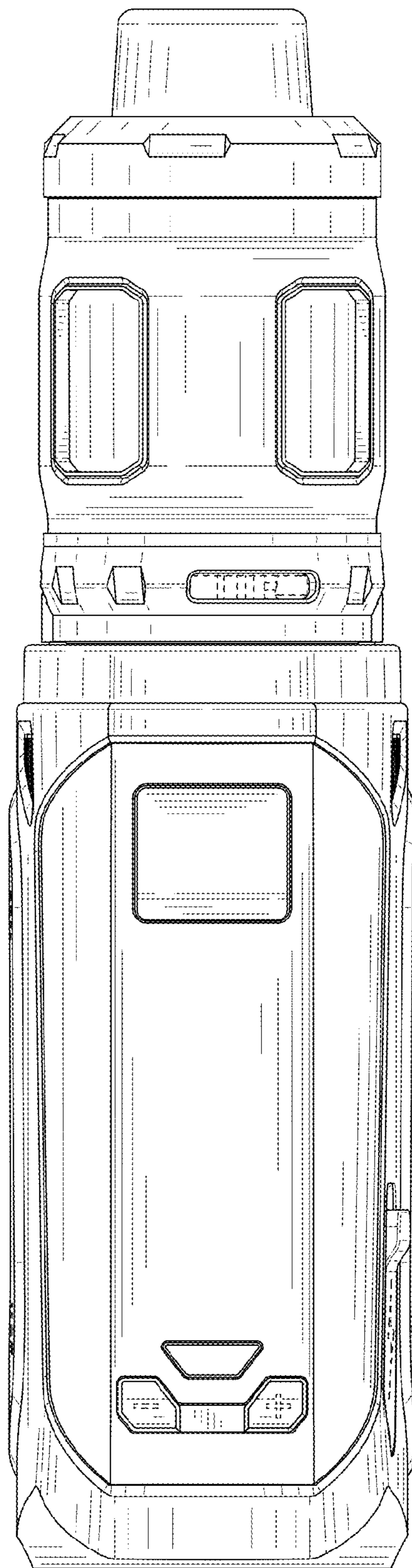


FIG. 22



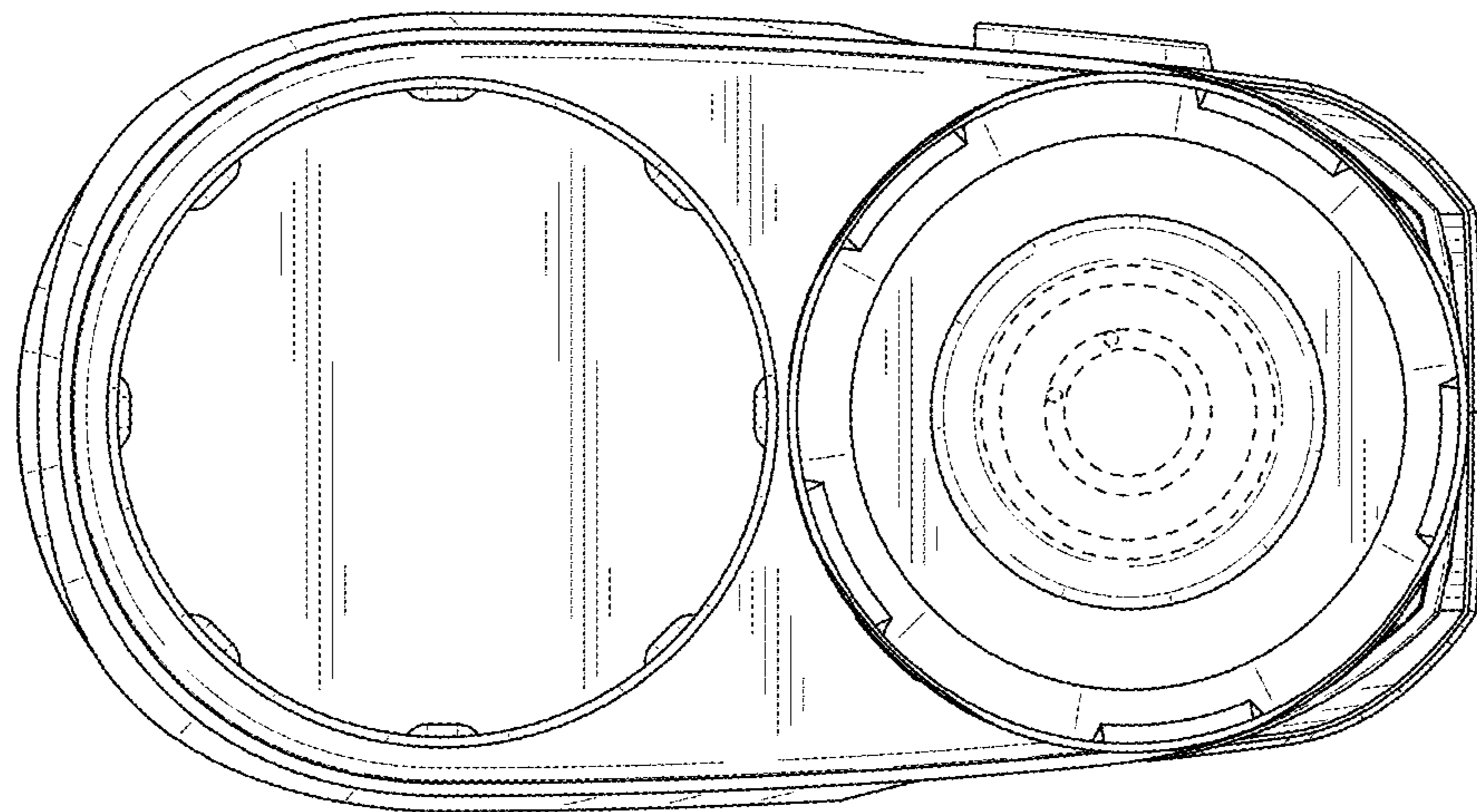


FIG. 23

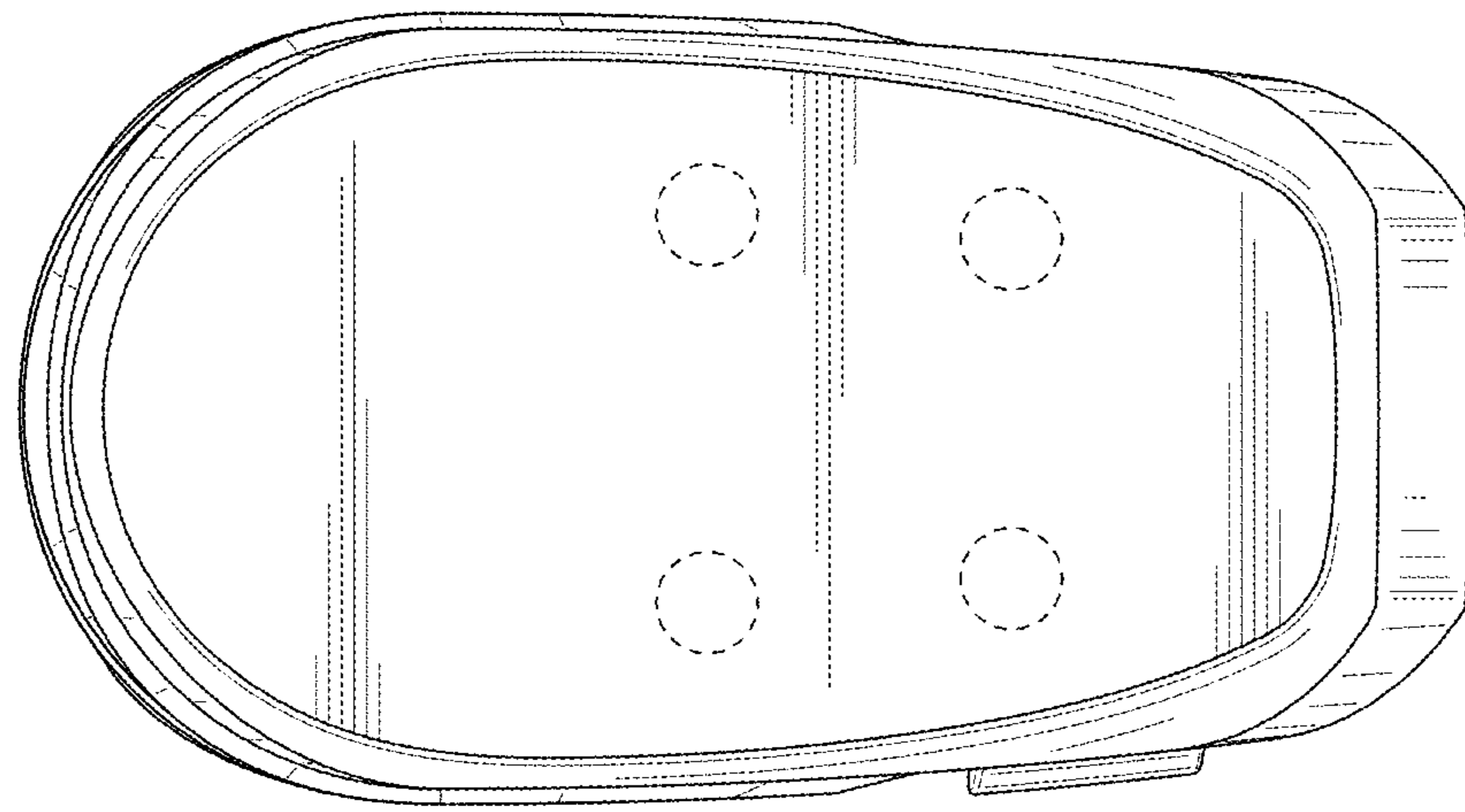


FIG. 24