



US00D965860S

(12) **United States Design Patent**
Sun et al.

(10) **Patent No.:** **US D965,860 S**
(45) **Date of Patent:** **** Oct. 4, 2022**

(54) **ELECTRONIC ATOMIZING DEVICE ASSEMBLY**

DESCRIPTION

(71) Applicant: **Shenzhen Smoore Technology Limited**, Shenzhen (CN)

(72) Inventors: **Zhanhui Sun**, Shenzhen (CN); **Yu Liu**, Shenzhen (CN)

(73) Assignee: **SHENZHEN SMOORE TECHNOLOGY LIMITED**, Shenzhen (CN)

(**) Term: **15 Years**

(21) Appl. No.: **29/766,760**

(22) Filed: **Jan. 19, 2021**

(30) **Foreign Application Priority Data**

Sep. 11, 2020 (CN) 202030540455.9

(51) **LOC (13) Cl.** **27-02**

(52) **U.S. Cl.**
USPC **D27/162**

(58) **Field of Classification Search**
USPC D27/162, 100, 101, 163–165, 172,
D27/174–176, 183, 185–194; D24/110,
D24/110.5

(Continued)

(56) **References Cited**

U.S. PATENT DOCUMENTS

D863,673 S * 10/2019 Lai D27/162

D876,004 S * 2/2020 Wang D27/101

(Continued)

Primary Examiner — Rebecca Tsehaye

(57) **CLAIM**

The ornamental design for an electronic atomizing device assembly, as shown and described.

FIG. 1 is a perspective view of an electronic atomizing device assembly according to a first embodiment where a first and a second component are shown in an assembled state of use;

FIG. 2 is another perspective view thereof;

FIG. 3 is a front elevational view thereof;

FIG. 4 is a rear elevational view thereof;

FIG. 5 is a left side elevational view thereof;

FIG. 6 is a right side elevational view thereof;

FIG. 7 is an enlarged top plan view thereof;

FIG. 8 is an enlarged bottom plan view thereof;

FIG. 9 is a perspective view of an electronic atomizing device assembly showing the first component removed from the assembly in FIGS. 1-8 for clarity of disclosure.

FIG. 10 is another perspective view thereof;

FIG. 11 is a front elevational view thereof;

FIG. 12 is a rear elevational view thereof;

FIG. 13 is a left side elevational view thereof;

FIG. 14 is a right side elevational view thereof;

FIG. 15 is a top plan view thereof;

FIG. 16 is a bottom plan view thereof;

FIG. 17 is a perspective view of an electronic atomizing device assembly showing the second component removed from the assembly in FIGS. 1-8 for clarity of disclosure.

FIG. 18 is another perspective view thereof;

FIG. 19 is a front elevational view thereof;

FIG. 20 is a rear elevational view thereof;

FIG. 21 is a left side elevational view thereof;

FIG. 22 is a right side elevational view thereof;

FIG. 23 is an enlarged top plan view thereof;

FIG. 24 is an enlarged bottom plan view thereof;

FIG. 25 is a perspective view of an electronic atomizing device assembly according to a second embodiment where a first and a second component are shown in an assembled state of use;

FIG. 26 is another perspective view thereof;

FIG. 27 is a front elevational view thereof;

FIG. 28 is a rear elevational view thereof;

FIG. 29 is a left side elevational view thereof;

FIG. 30 is a right side elevational view thereof;

FIG. 31 is an enlarged top plan view thereof;

(Continued)

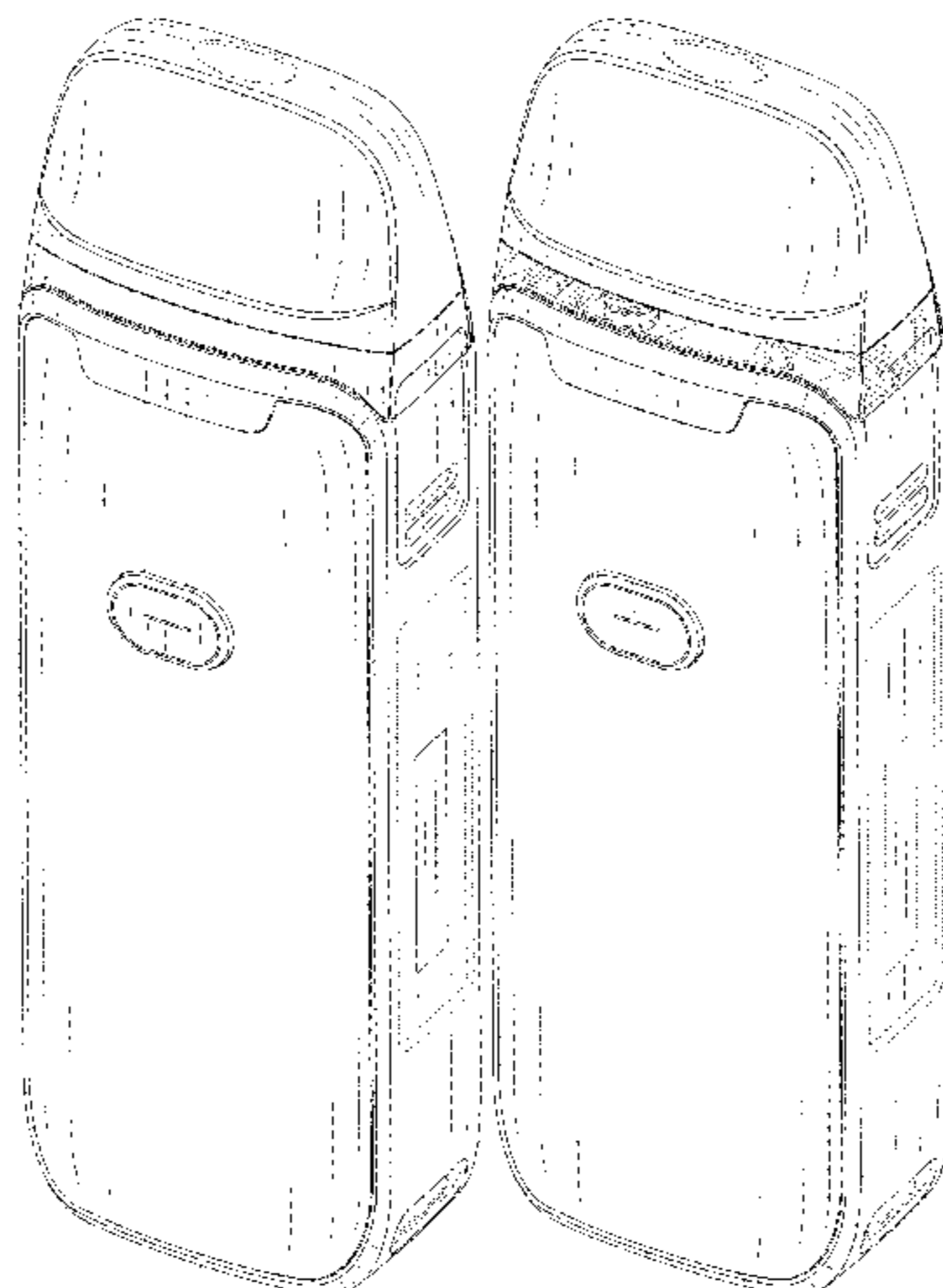


FIG. 32 is an enlarged bottom plan view thereof;
 FIG. 33 is a perspective view of an electronic atomizing device assembly showing the first component removed from the assembly in FIGS. 25-32 for clarity of disclosure.
 FIG. 34 is another perspective view thereof;
 FIG. 35 is a front elevational view thereof;
 FIG. 36 is a rear elevational view thereof;
 FIG. 37 is a left side elevational view thereof;
 FIG. 38 is a right side elevational view thereof;
 FIG. 39 is a top plan view thereof; and,
 FIG. 40 is a bottom plan view thereof.
 The broken lines in the drawings depict portions of the electronic atomizing device assembly that form no part of the claimed design.

1 Claim, 40 Drawing Sheets

(58) **Field of Classification Search**
 CPC A24F 47/002; A24F 47/006; A24F 47/008;
 A61M 15/00; A61M 15/06
 See application file for complete search history.

(56)

References Cited

U.S. PATENT DOCUMENTS

D881,457	S	*	4/2020	Ouyang	D27/162
D885,655	S	*	5/2020	Ding	D27/162
D885,657	S	*	5/2020	Lai	D27/162
D900,385	S	*	10/2020	Wang	D27/162
D908,952	S	*	1/2021	Guo	D27/101
D912,890	S	*	3/2021	Liu	D27/162
D918,467	S	*	5/2021	Wang	D27/162
D921,282	S	*	6/2021	Yan	D27/162
D924,474	S	*	7/2021	Huang	D27/162
D927,772	S	*	8/2021	Han	D27/162
D928,399	S	*	8/2021	Chen	D27/162
D930,234	S	*	9/2021	Wang	D27/162
D937,476	S	*	11/2021	Zu	D27/162
D942,675	S	*	2/2022	Ouyang	D27/162
D943,172	S	*	2/2022	Li	D27/162
D948,782	S	*	4/2022	Zhang	D27/162
D949,463	S	*	4/2022	Guo	D27/162
D949,465	S	*	4/2022	Hermiz	D27/162
D949,468	S	*	4/2022	Michaud	D27/162
D950,145	S	*	4/2022	Li	D27/162

* cited by examiner

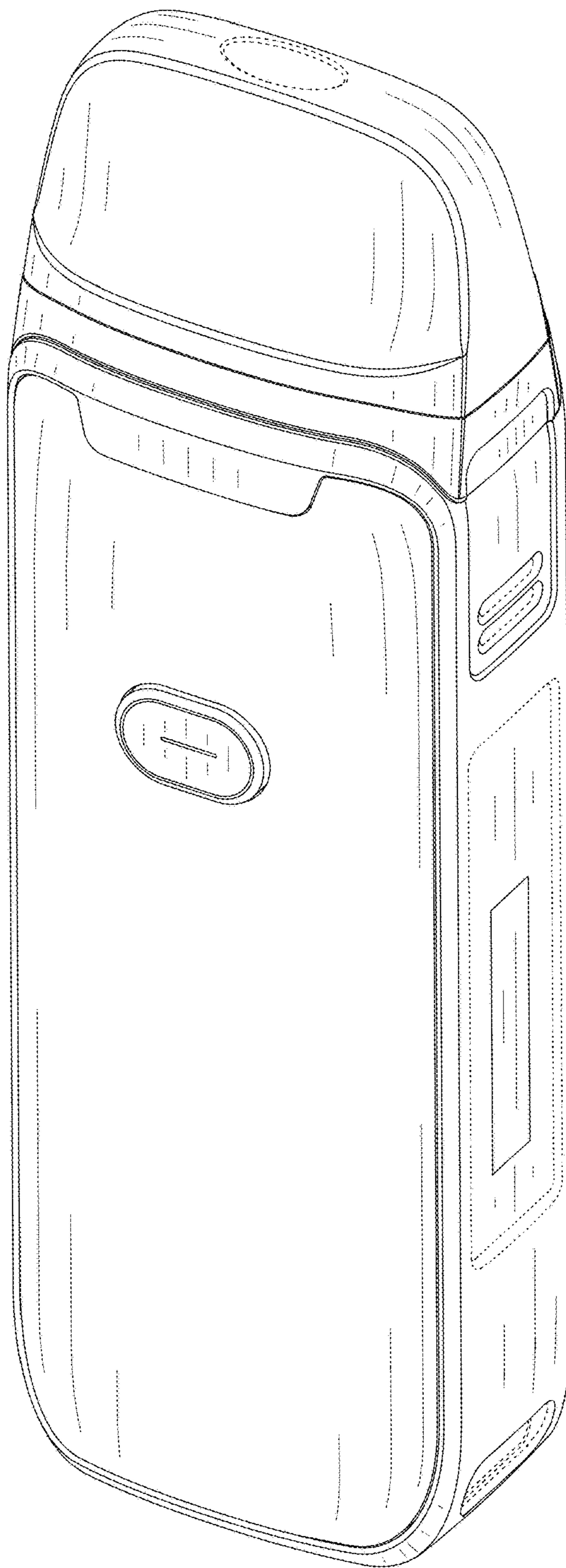


FIG. 1

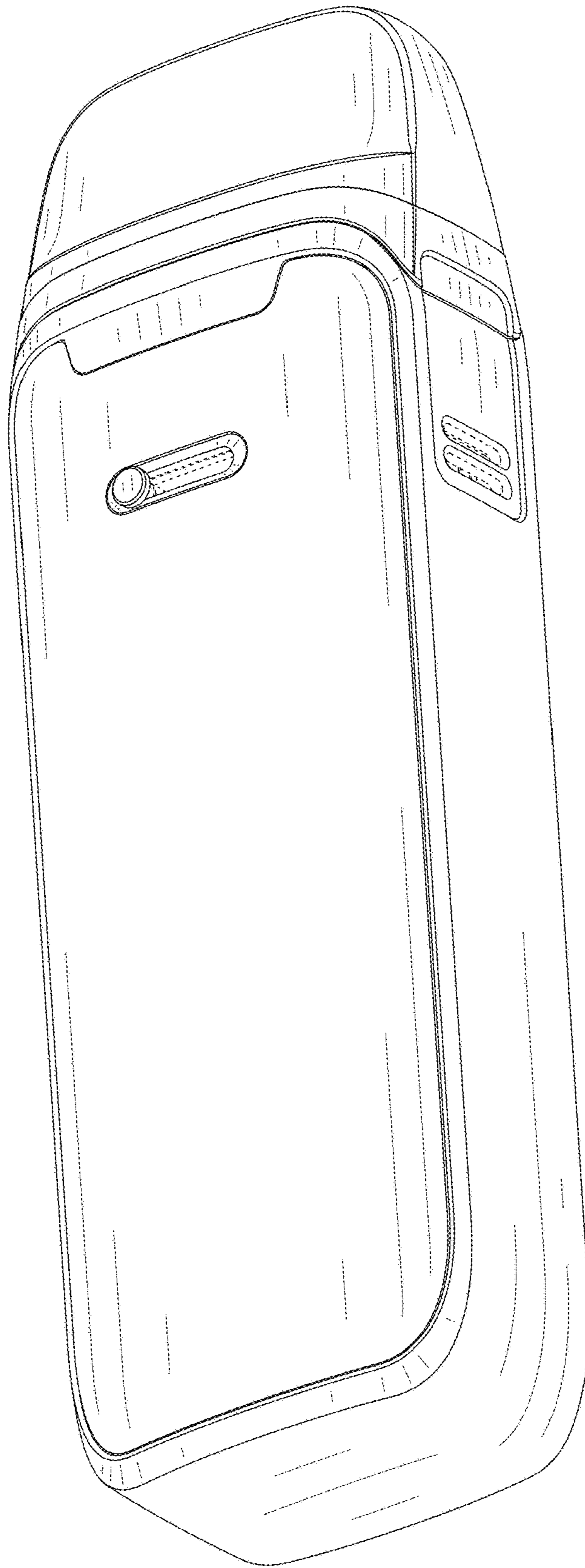


FIG. 2

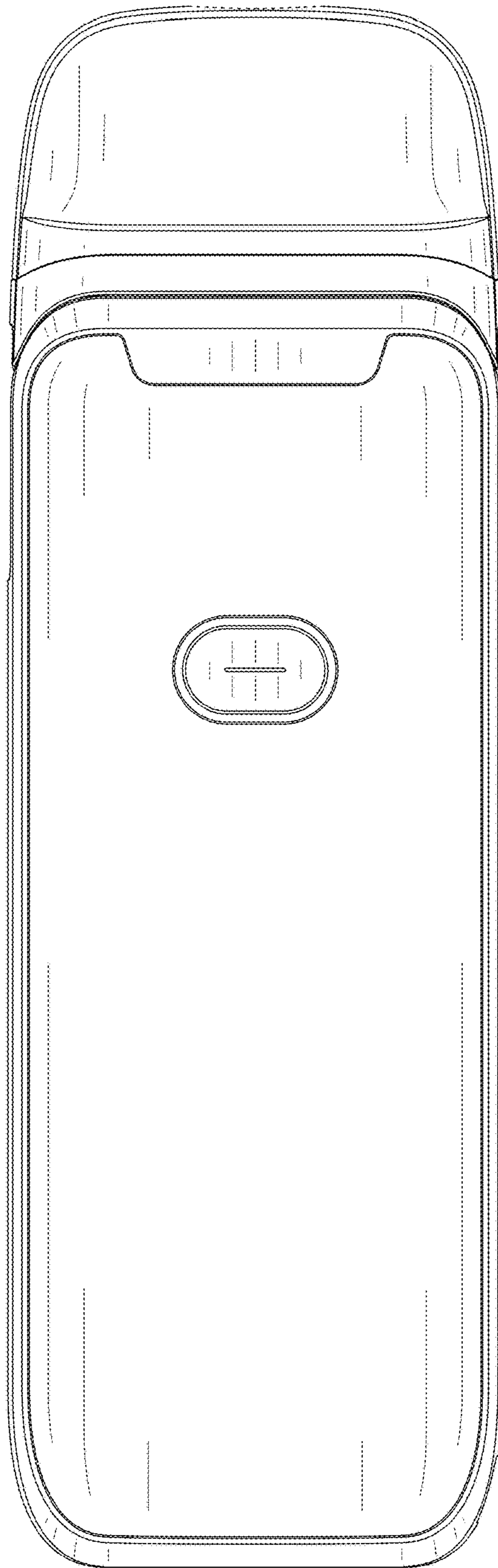


FIG. 3

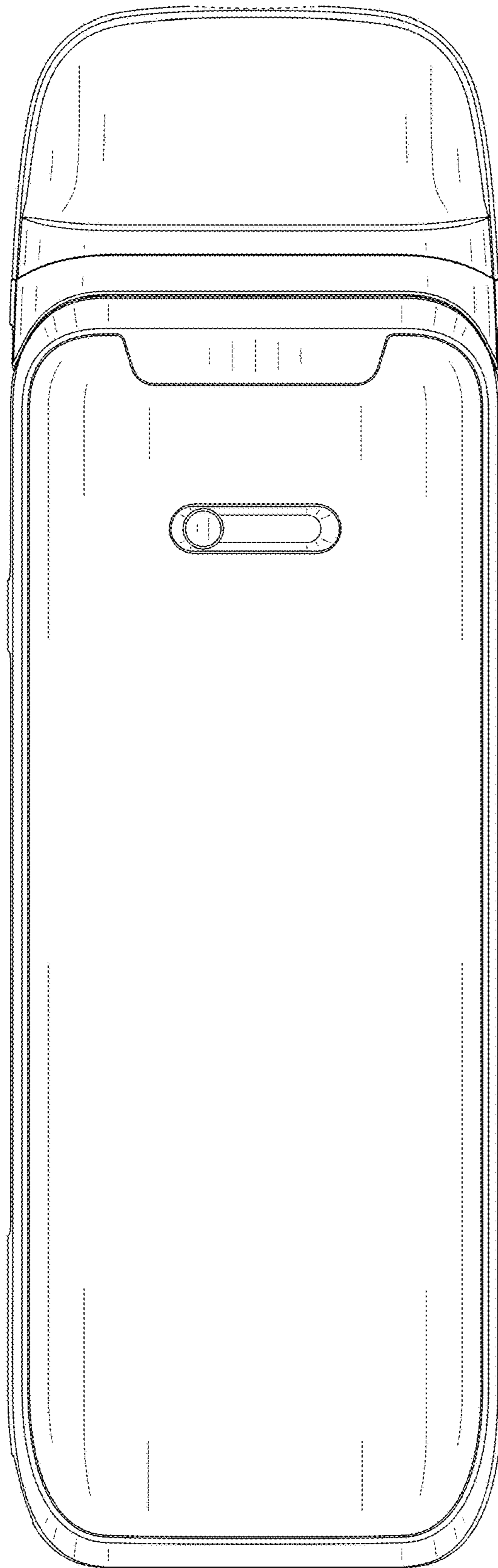


FIG. 4

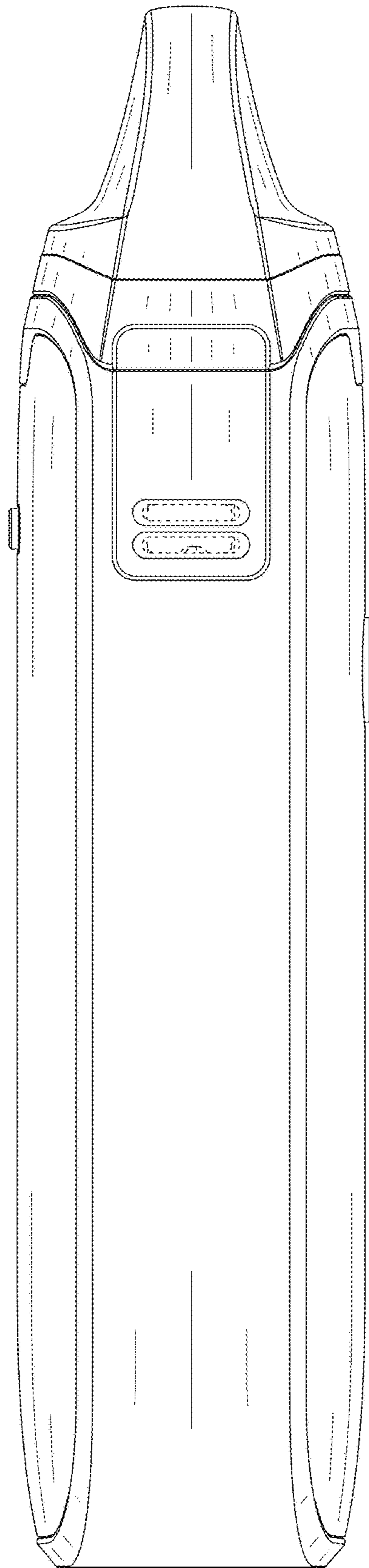


FIG. 5

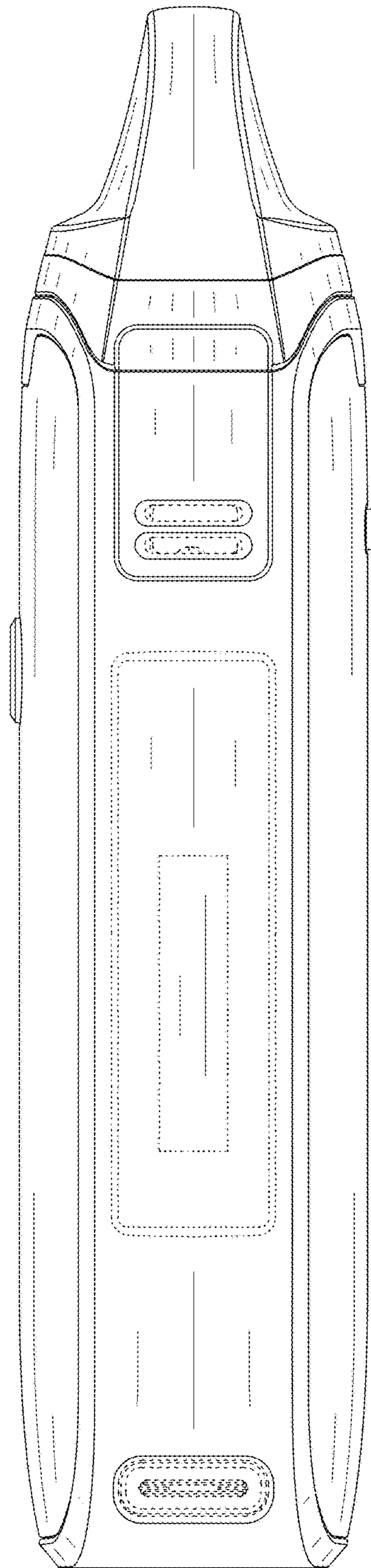


FIG. 6

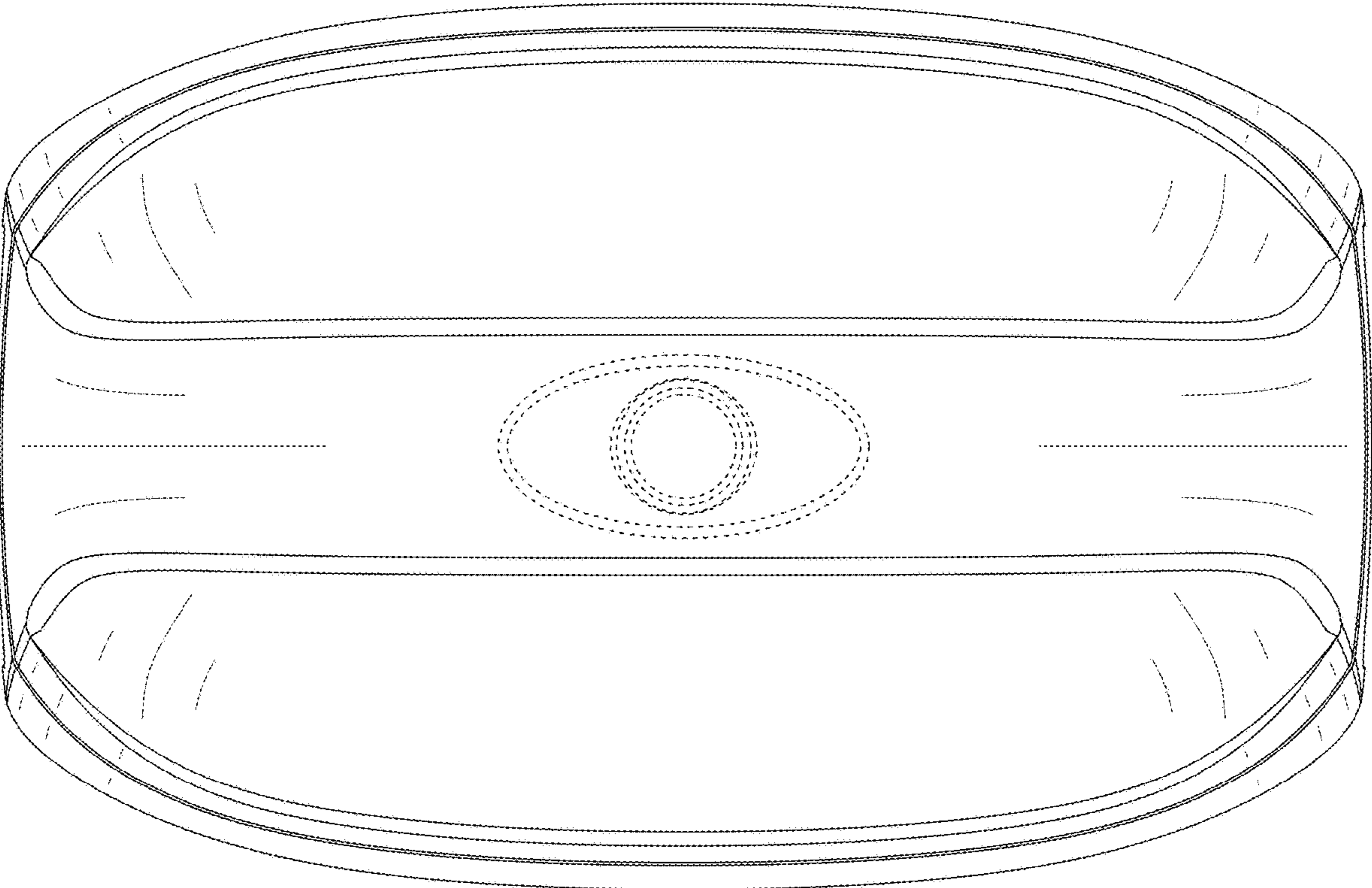


FIG. 7

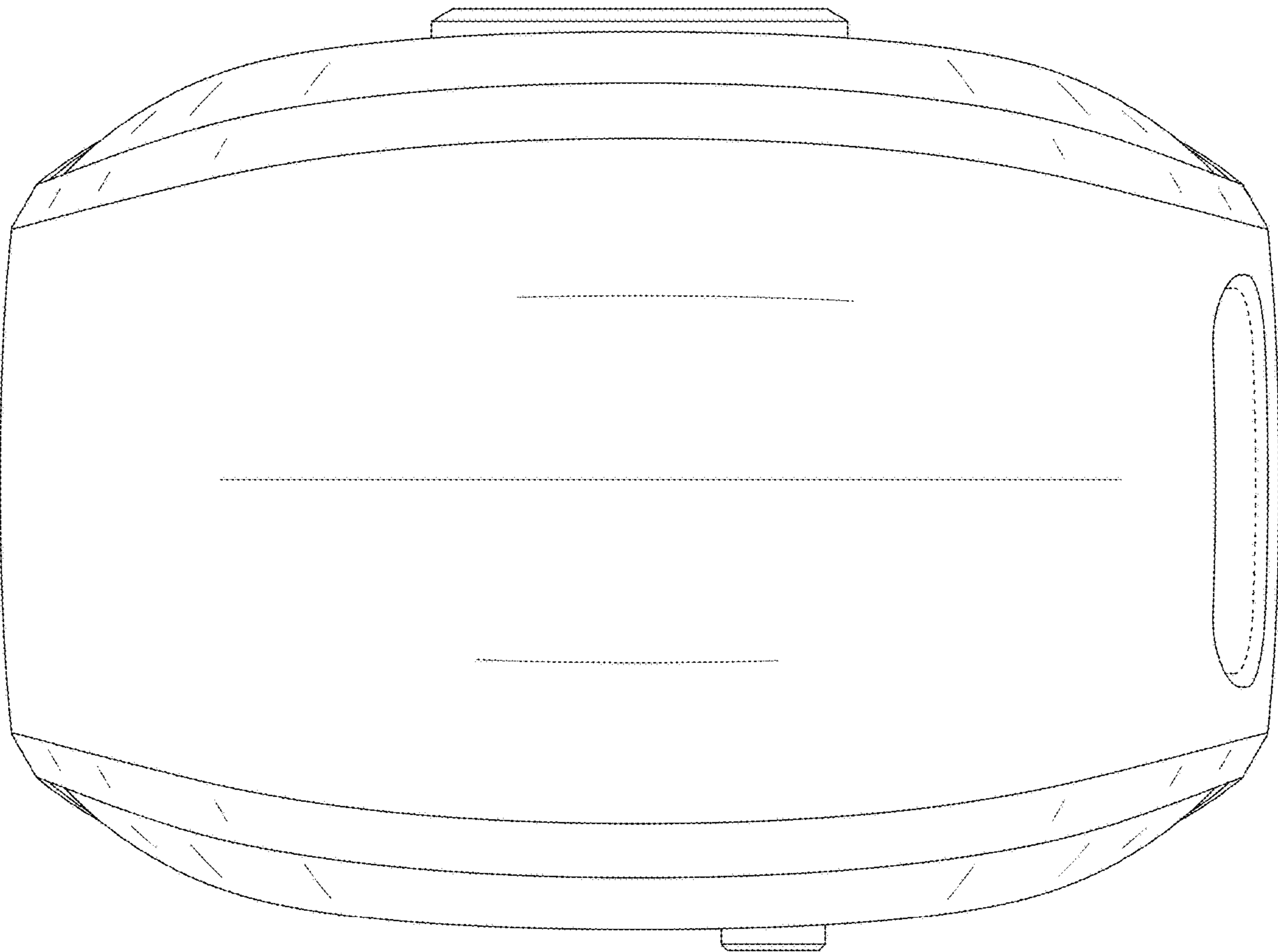


FIG. 8

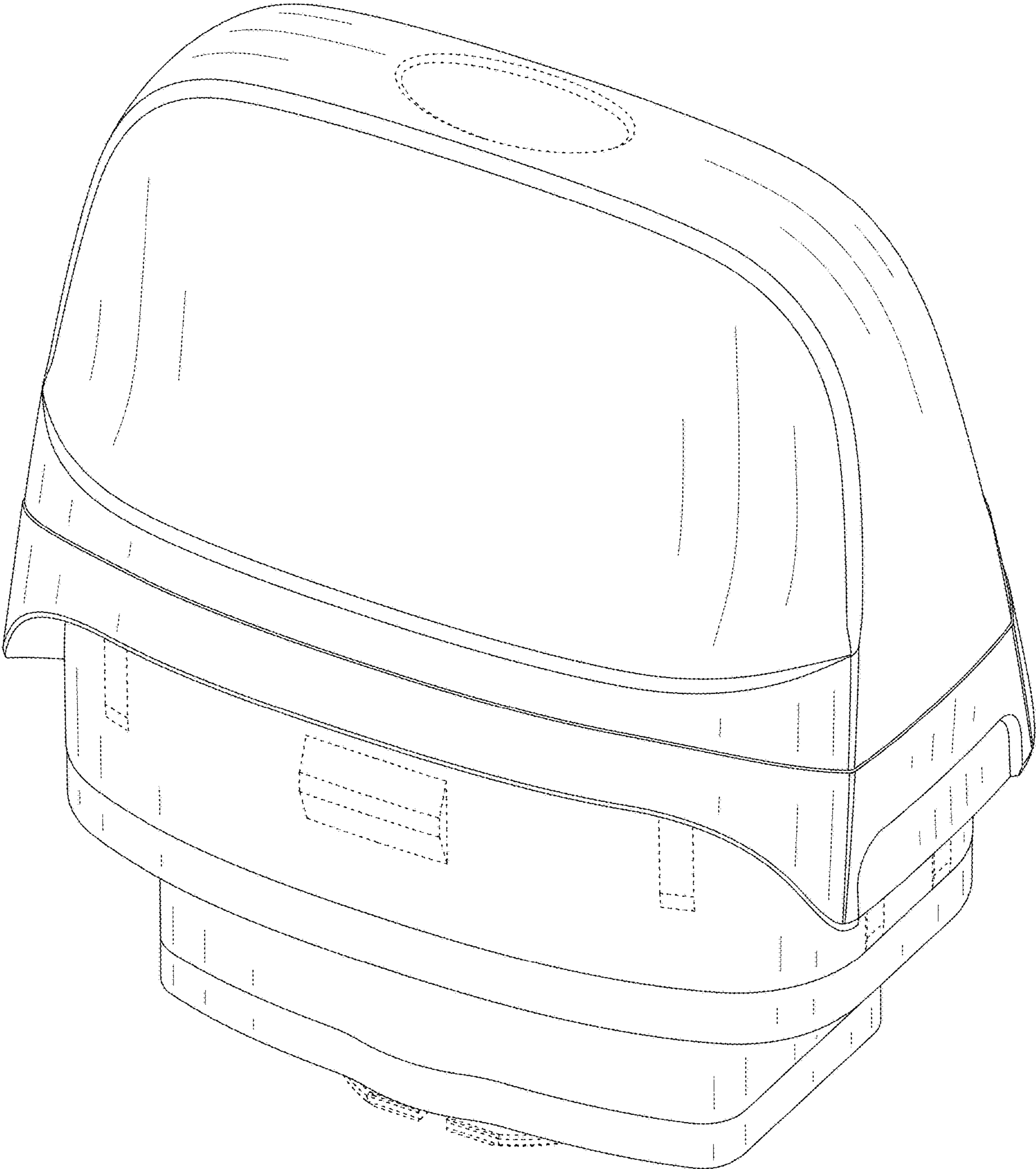


FIG. 9

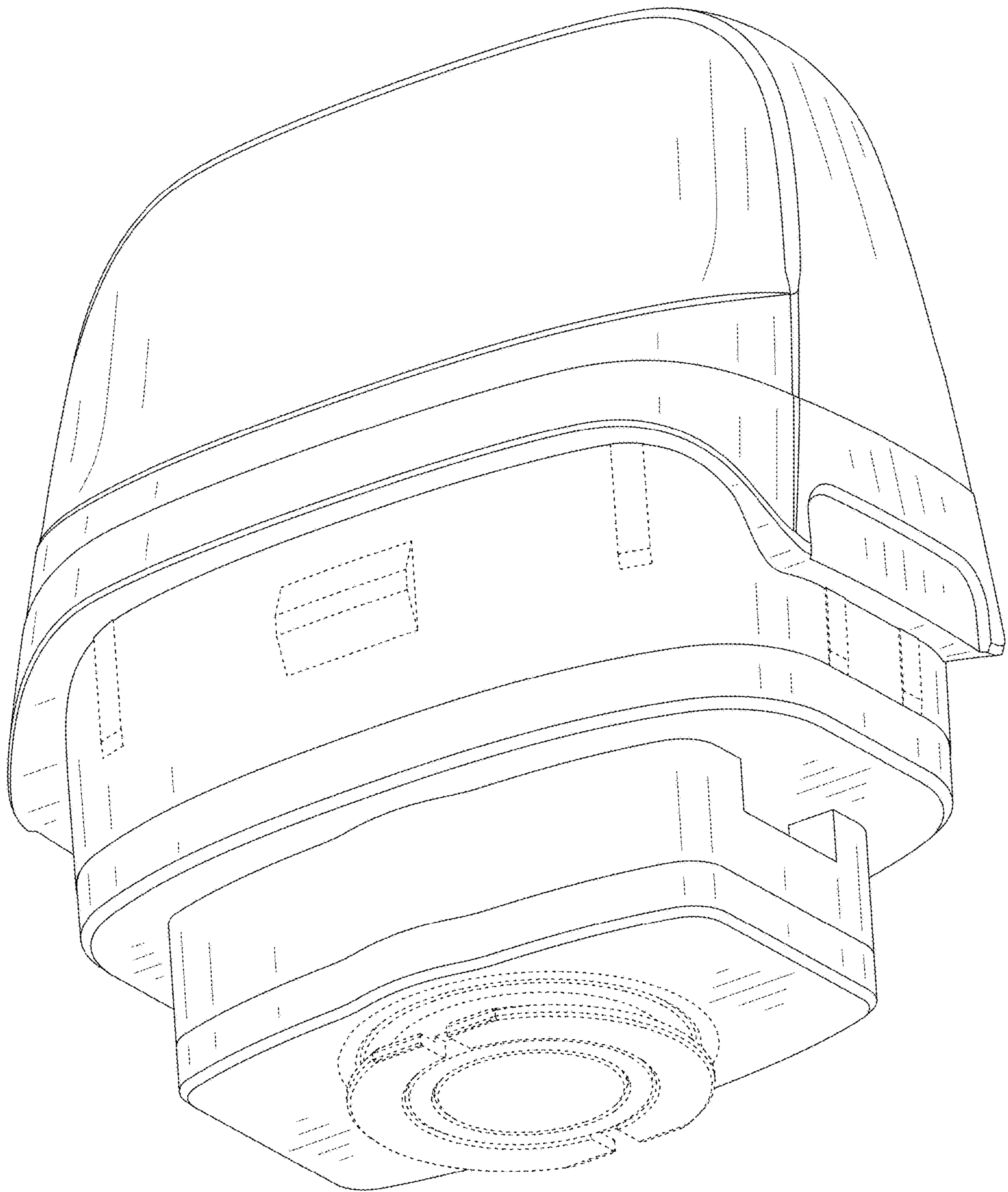


FIG. 10

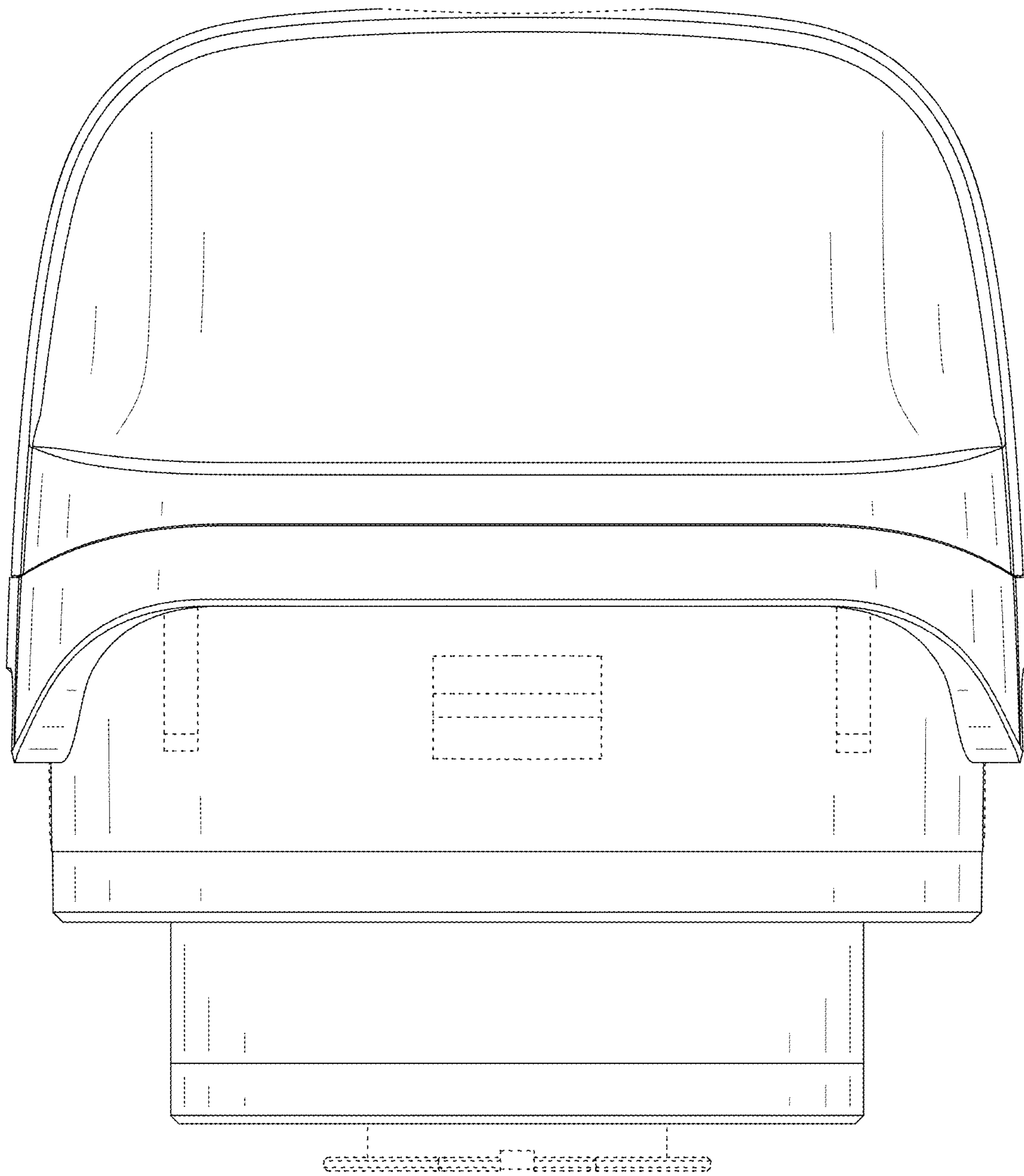


FIG. 11

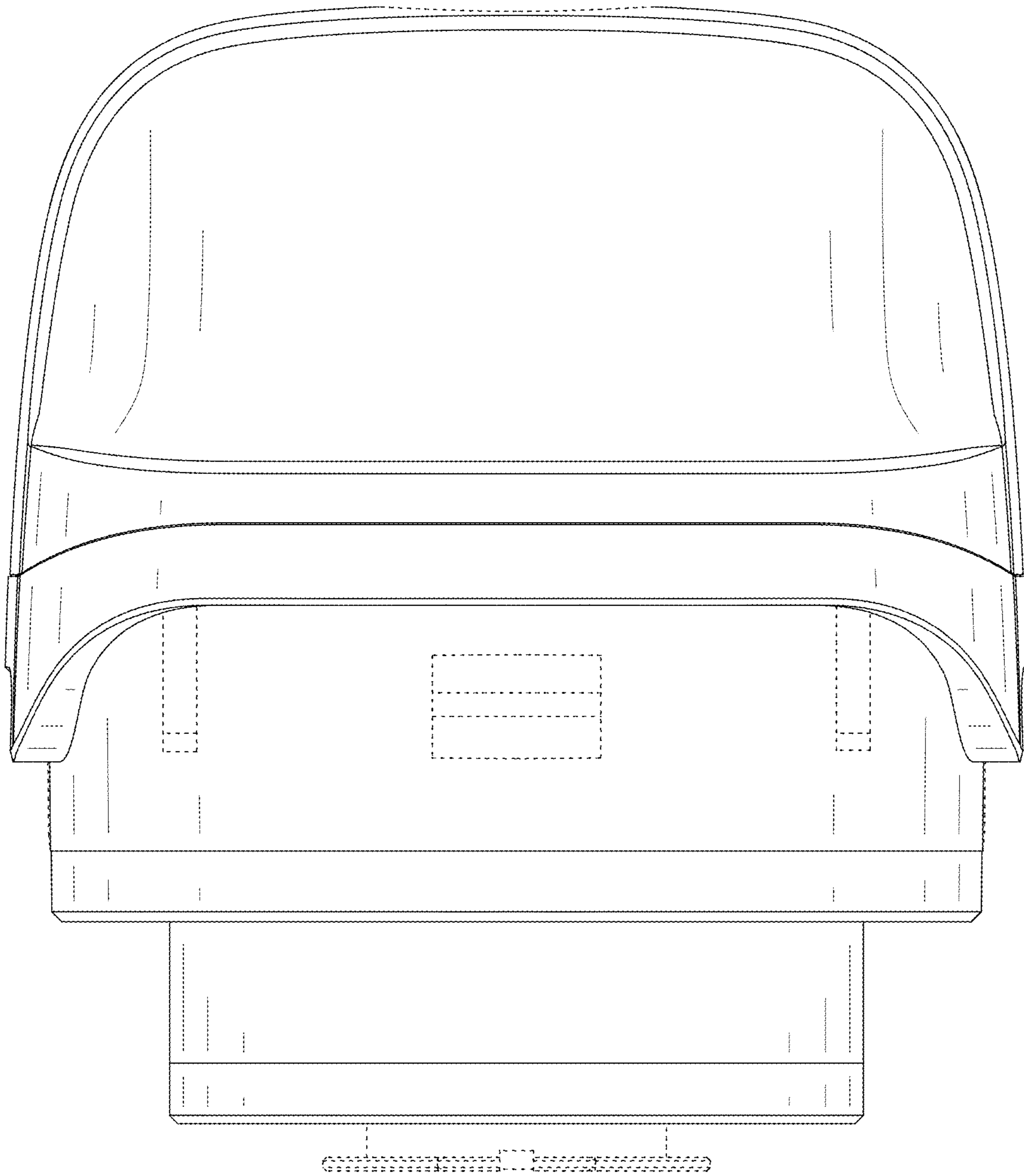


FIG. 12

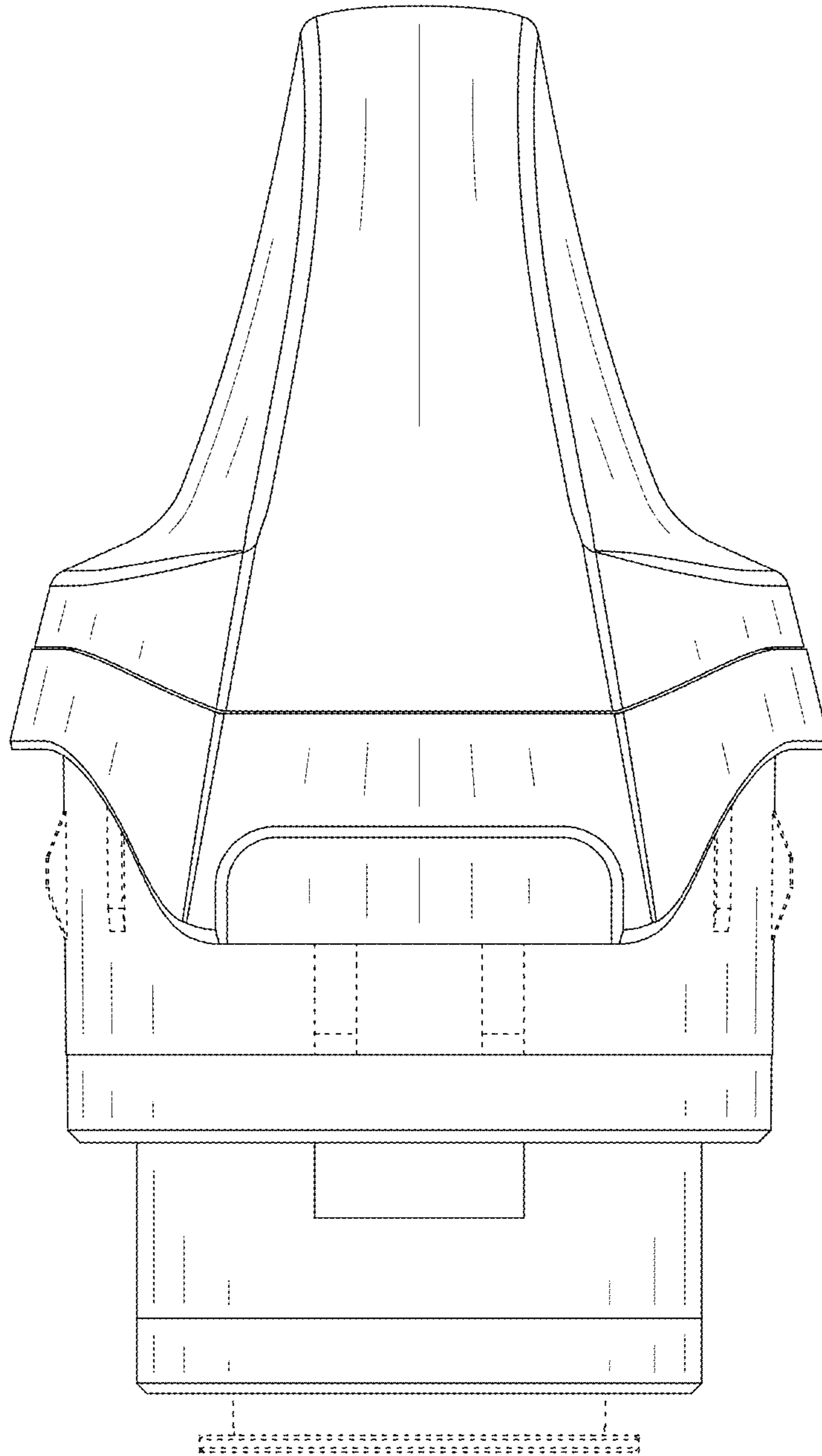


FIG. 13

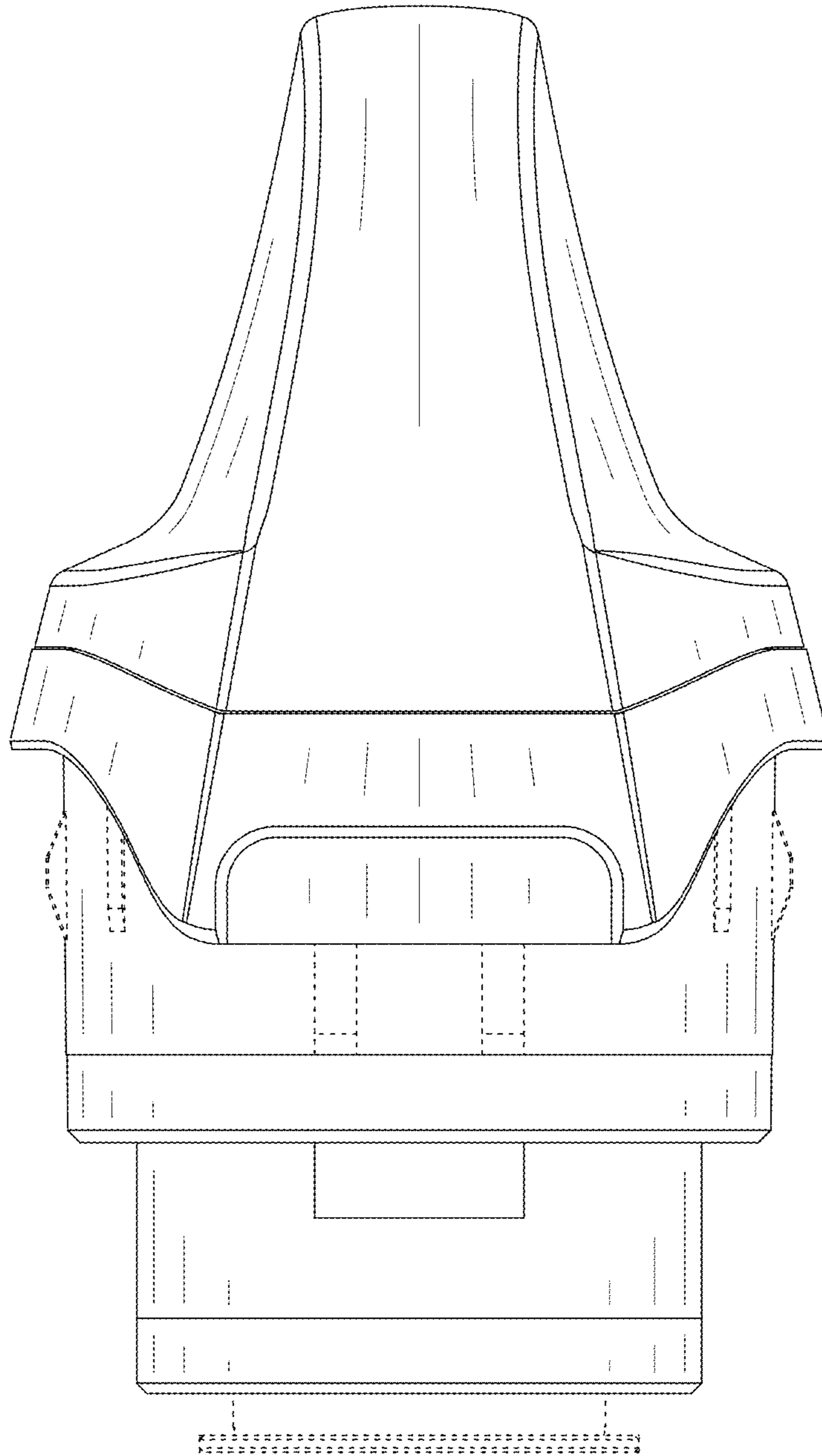


FIG. 14

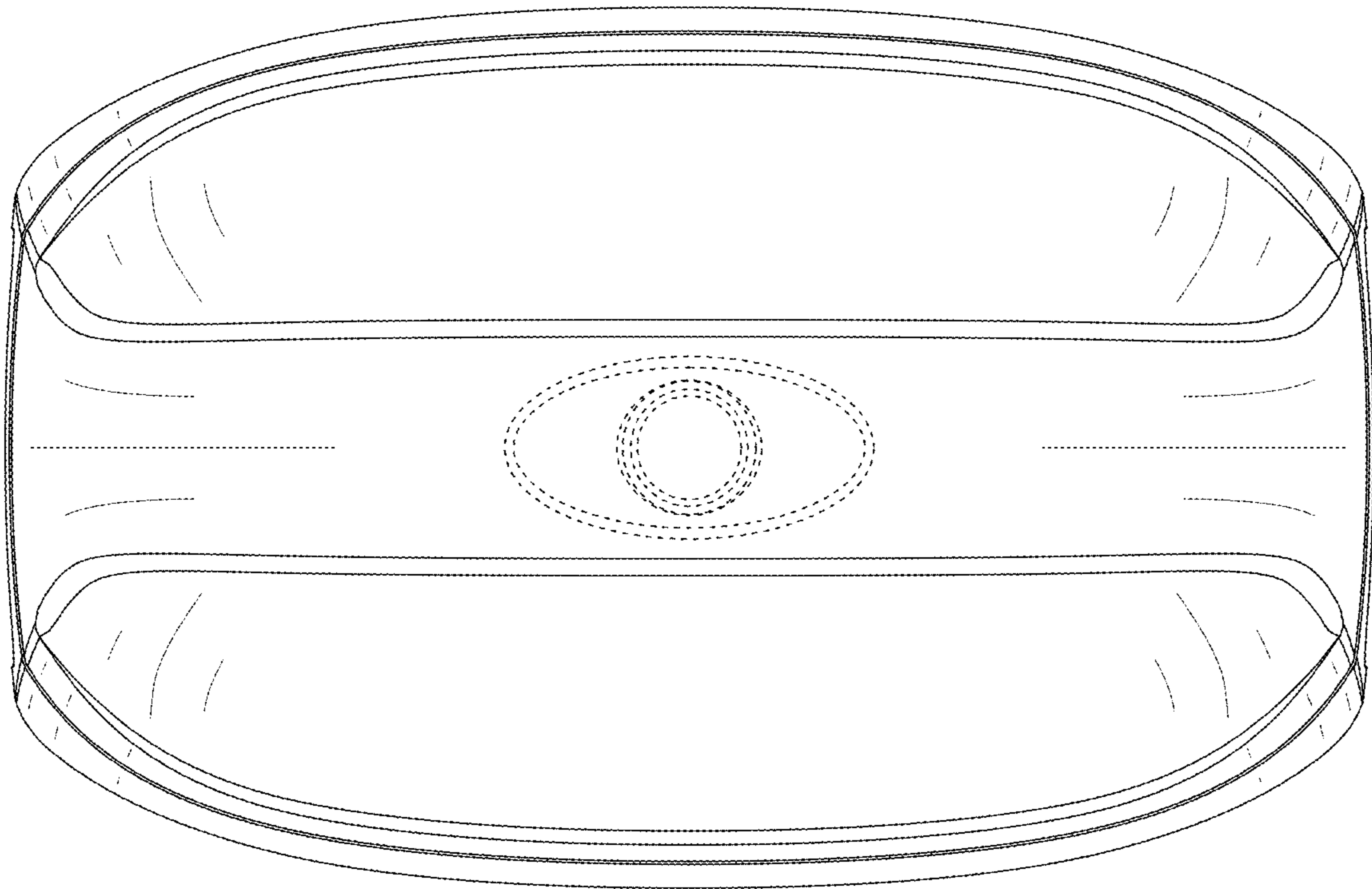


FIG. 15

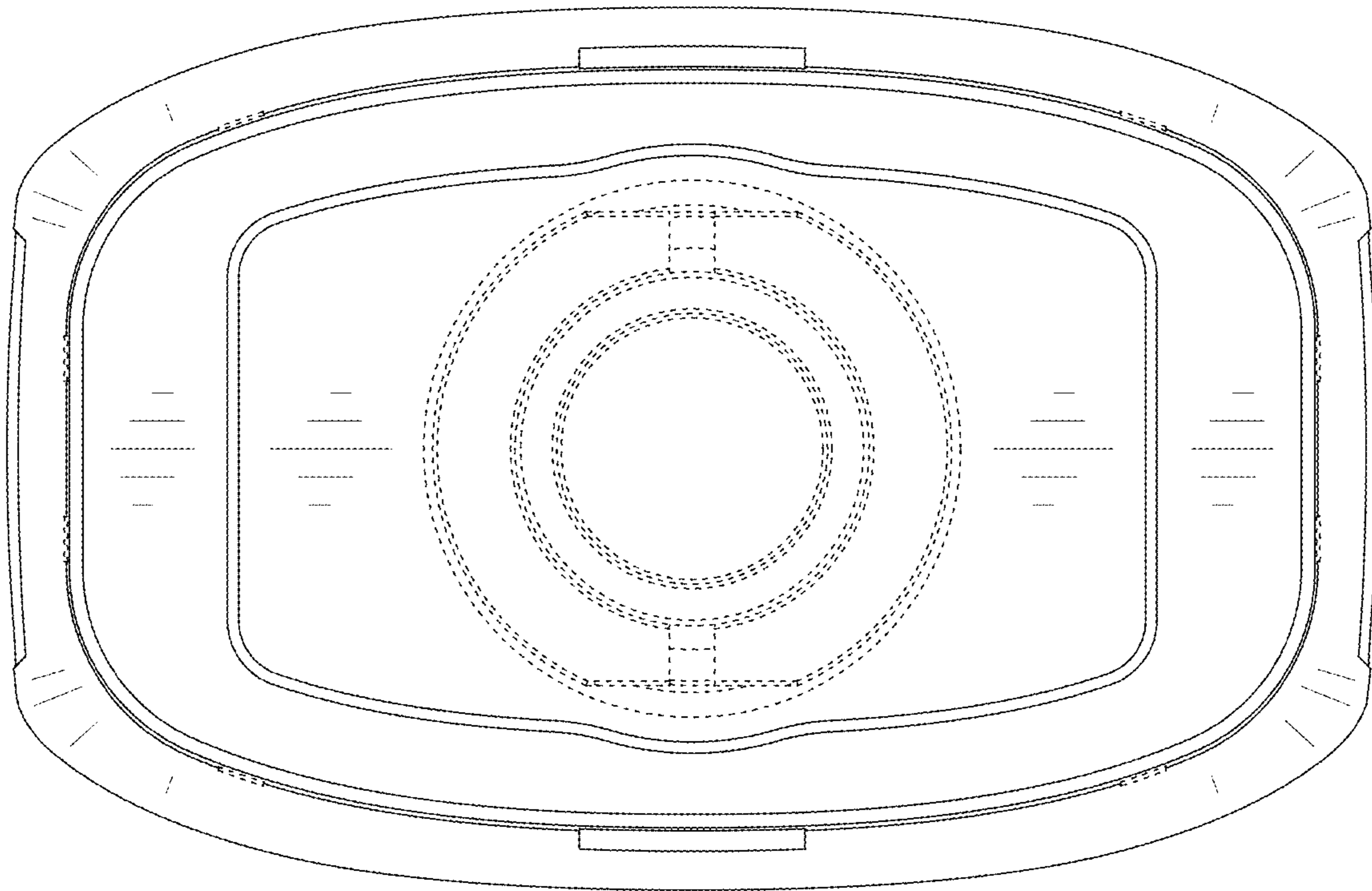


FIG. 16

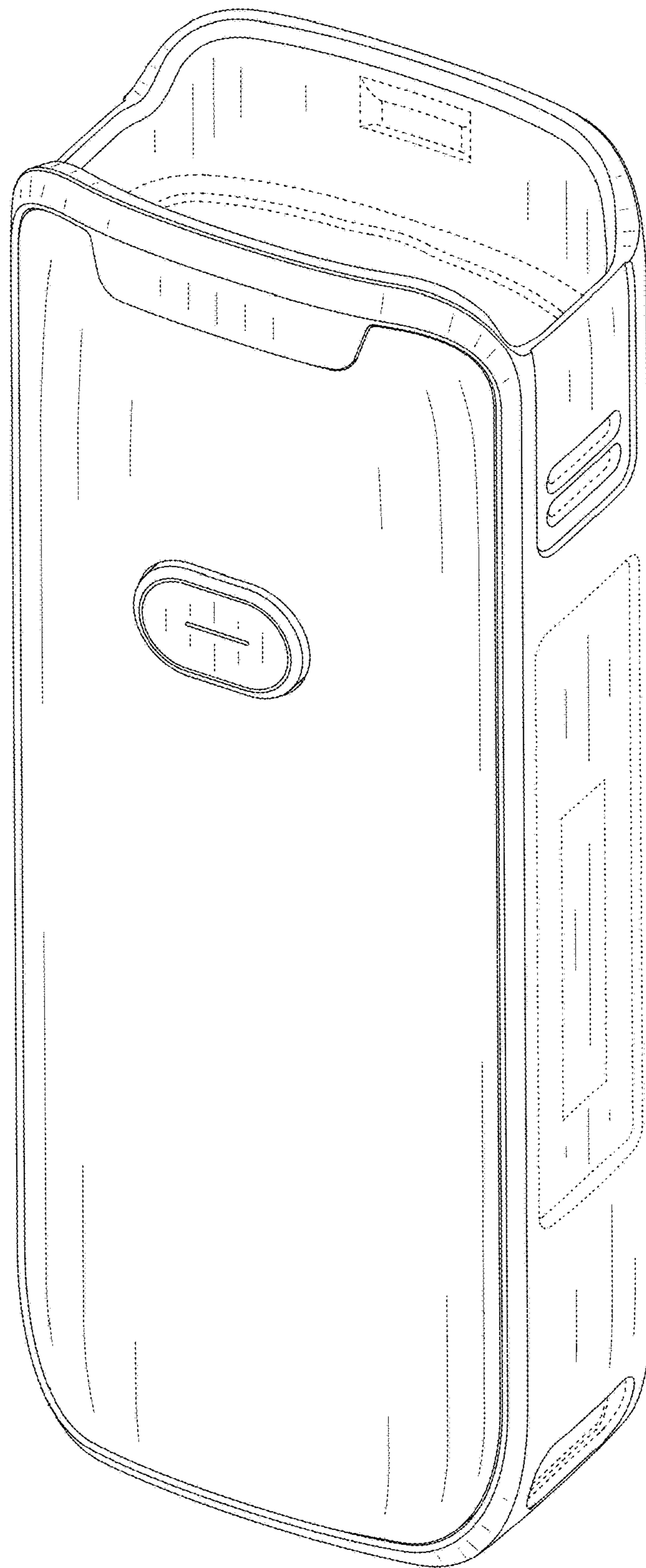


FIG. 17

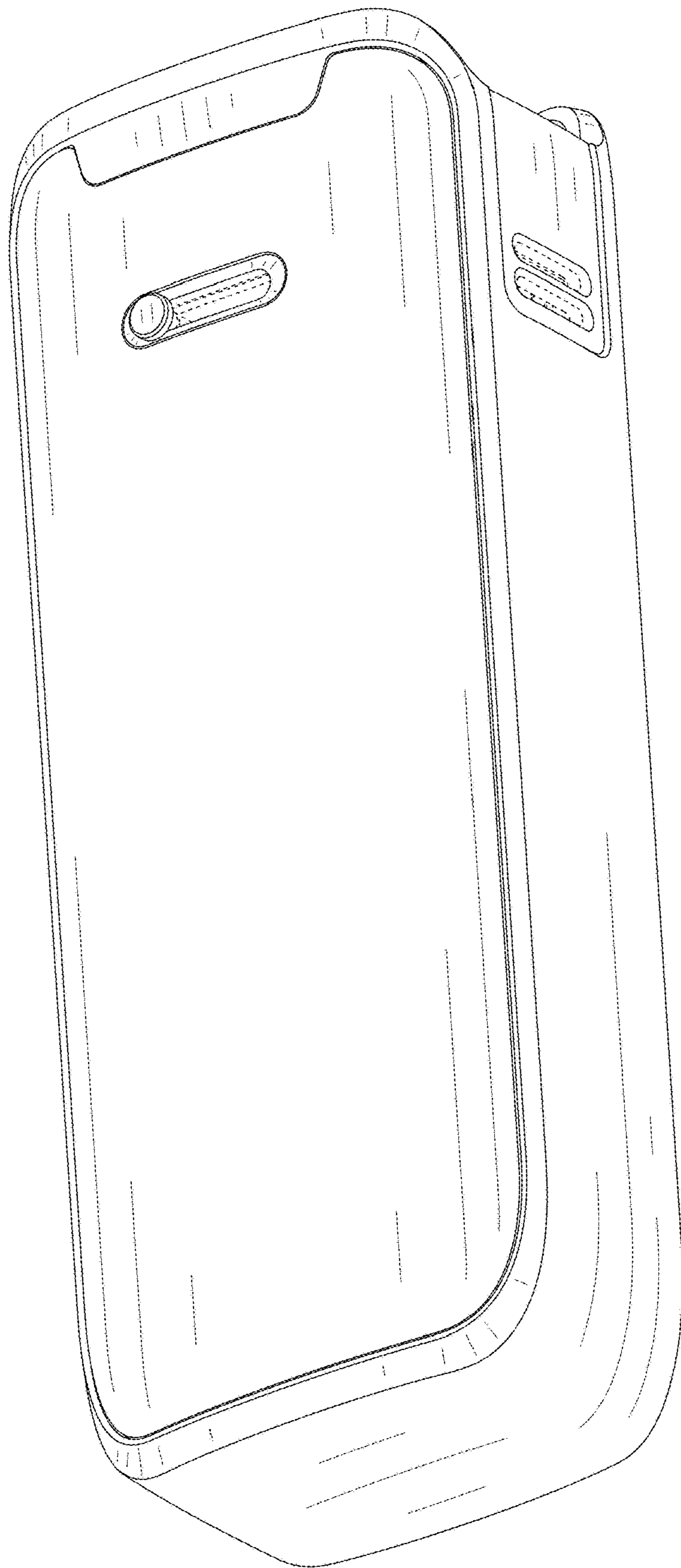


FIG. 18

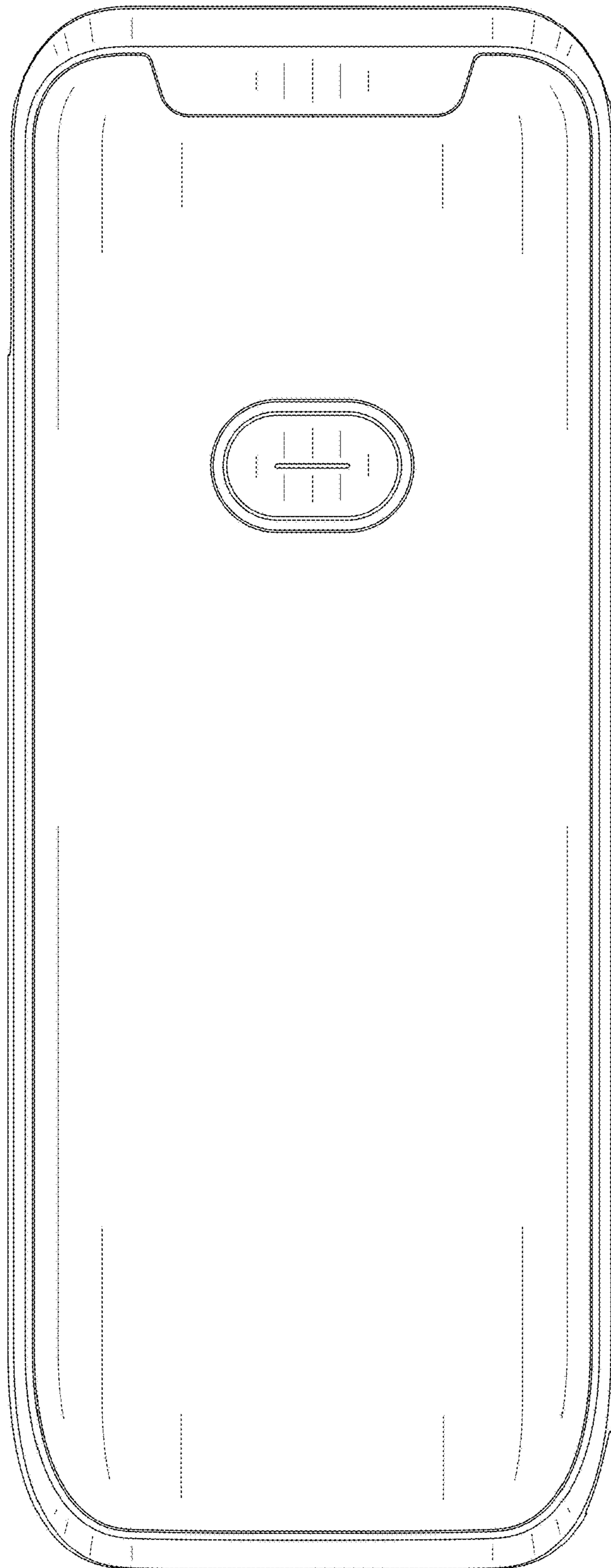


FIG. 19

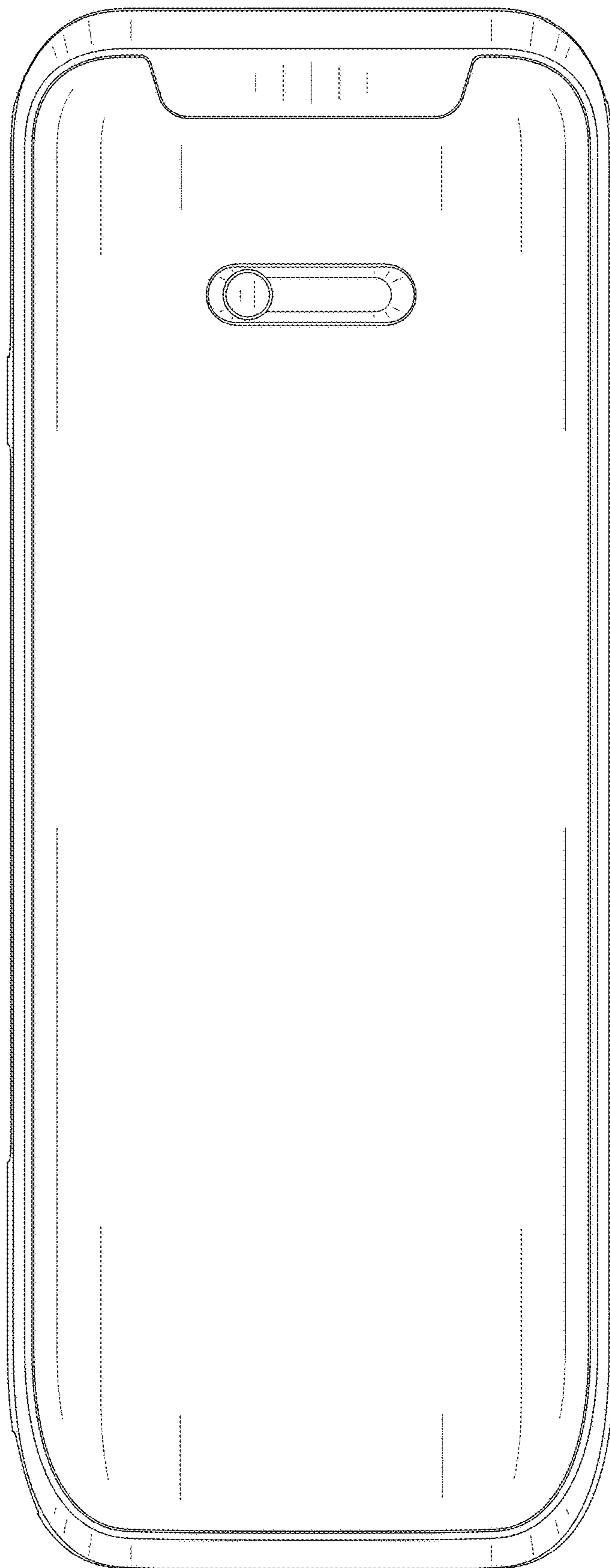


FIG. 20

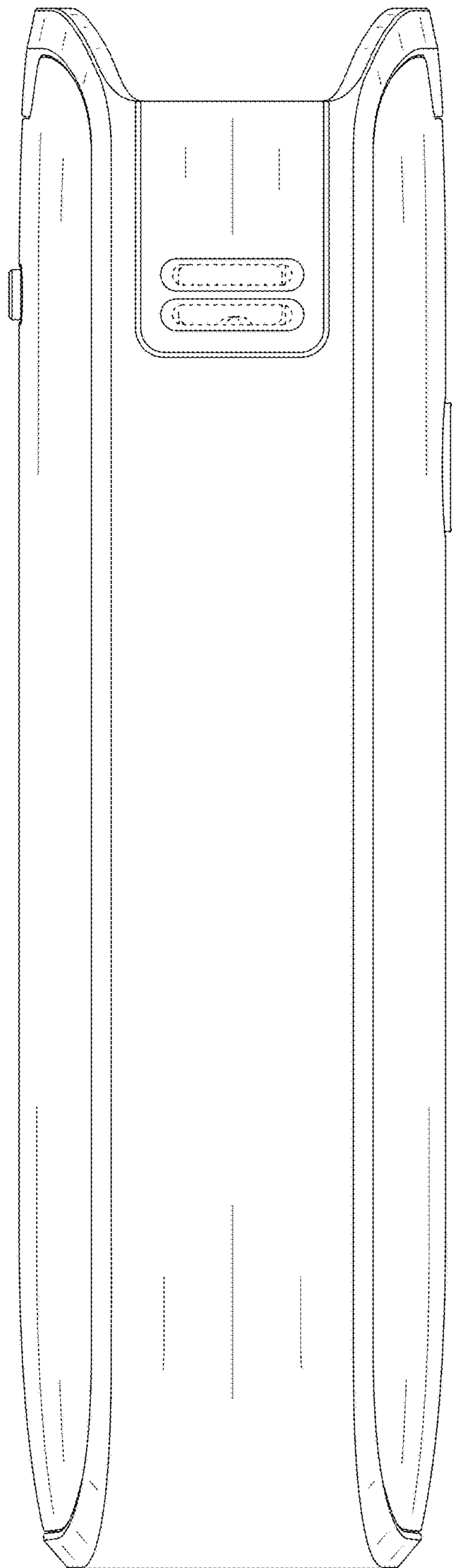


FIG. 21

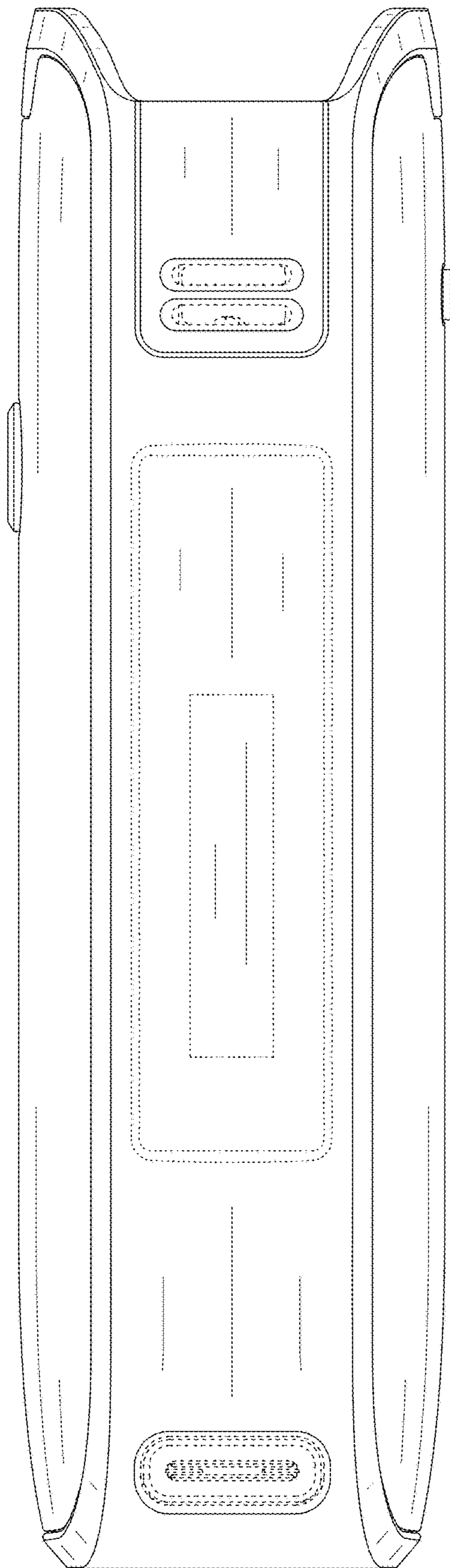


FIG. 22

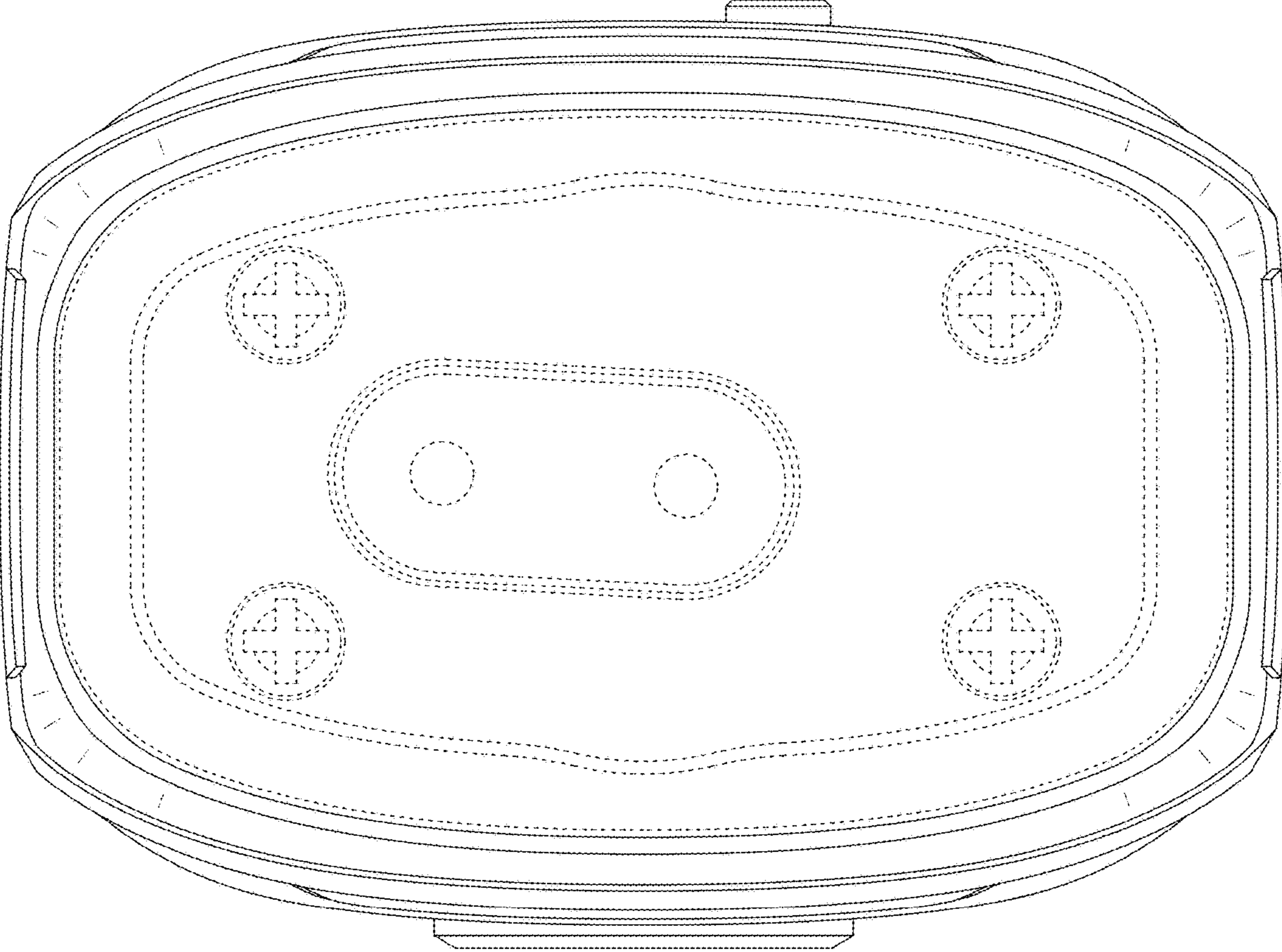


FIG. 23

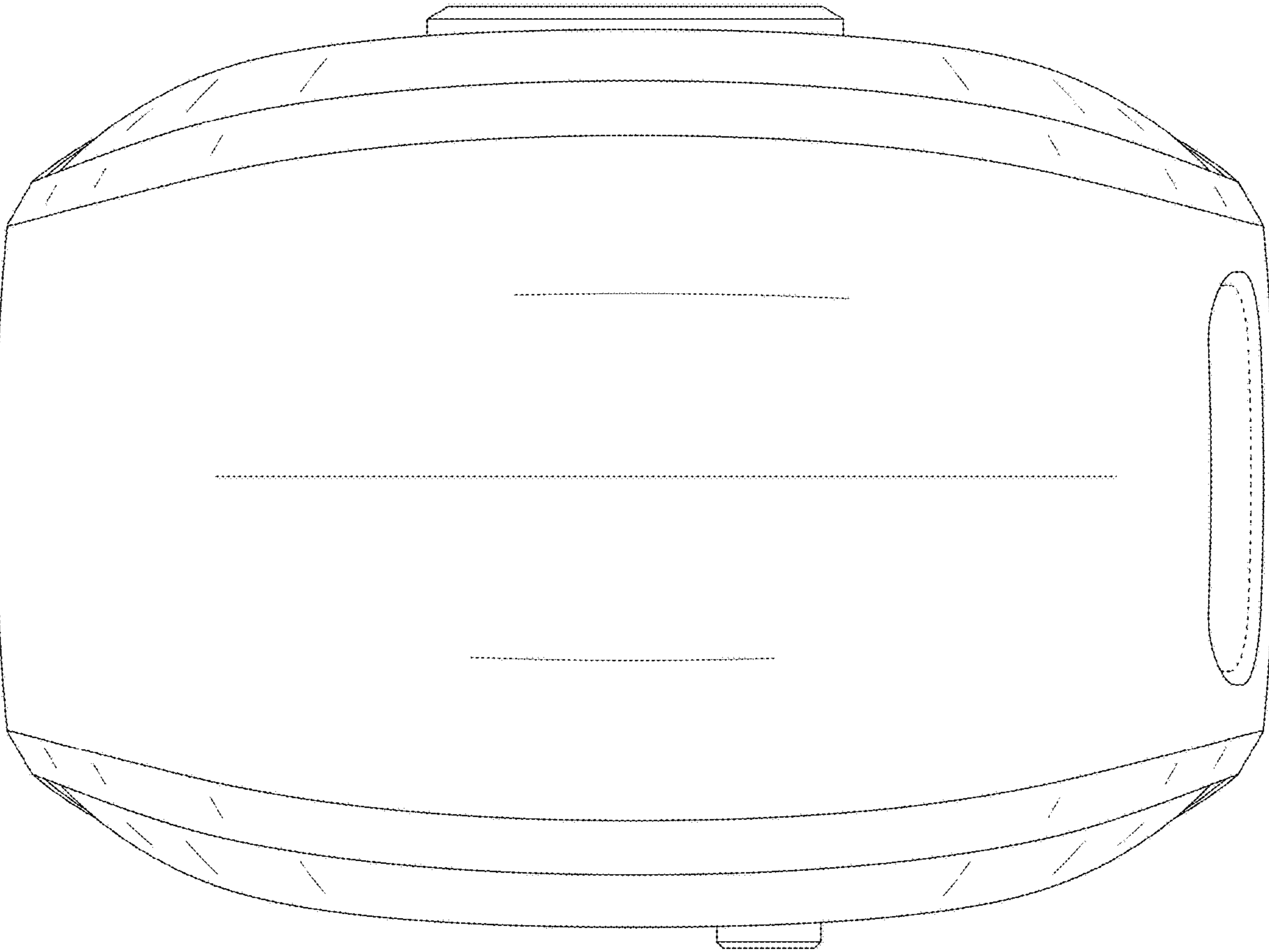


FIG. 24

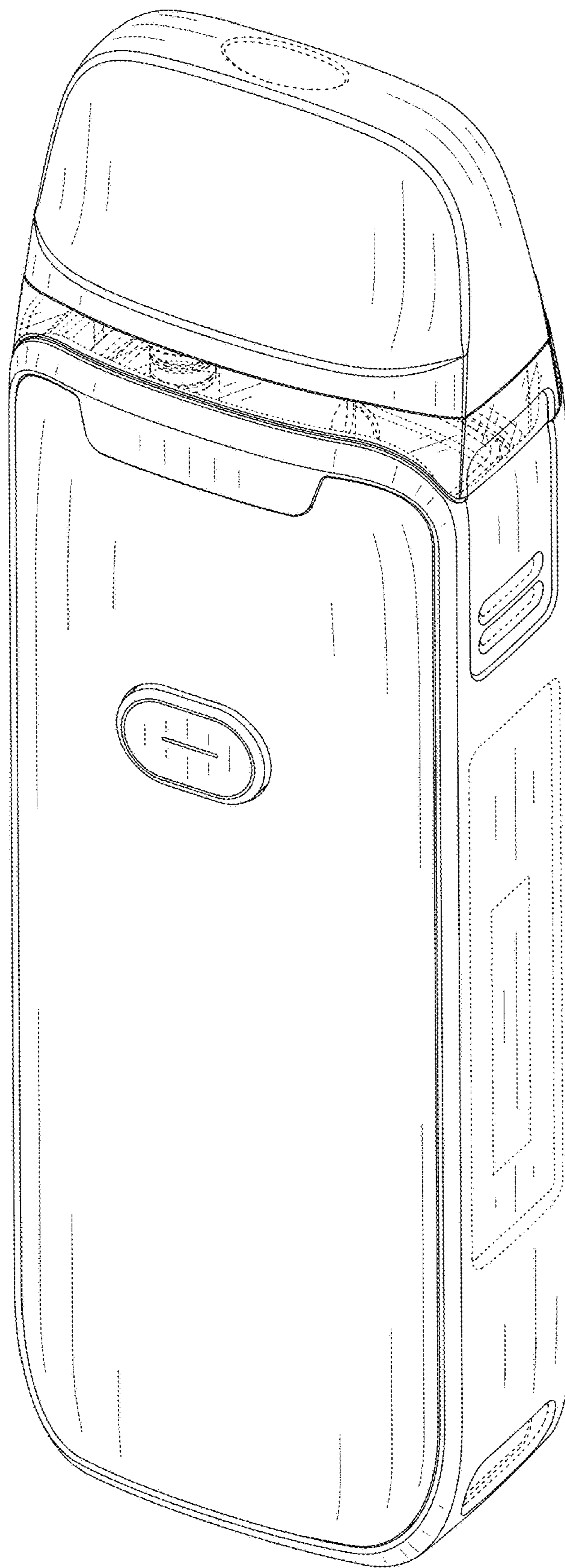


FIG. 25

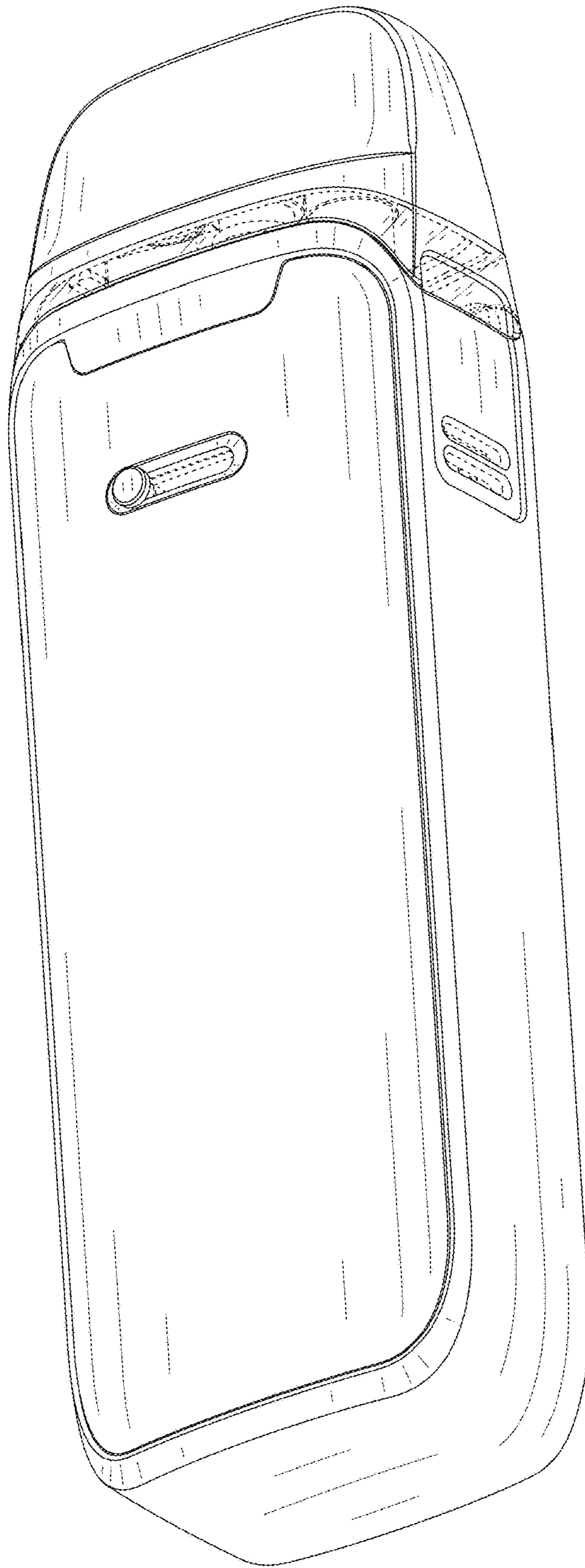


FIG. 26

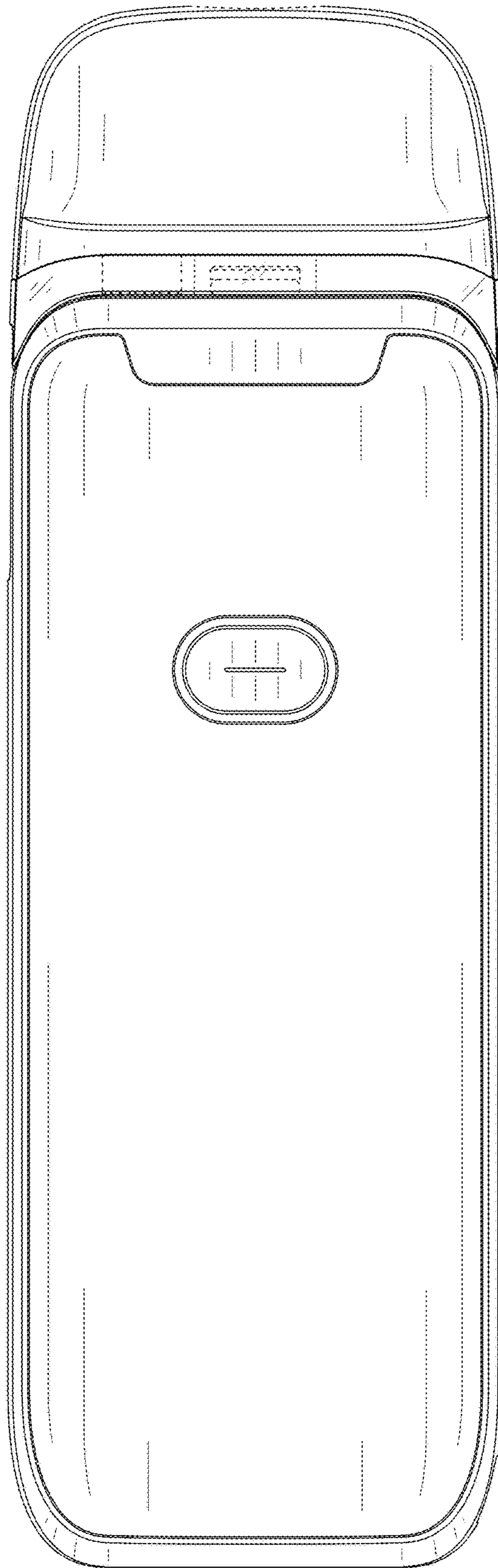


FIG. 27

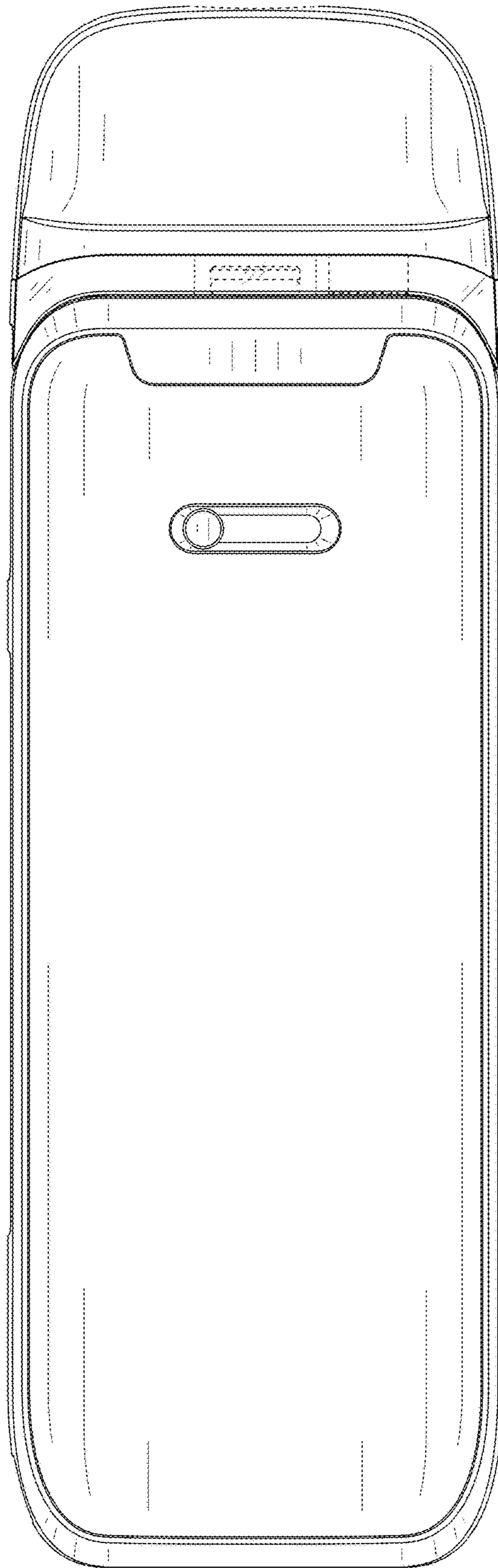


FIG. 28

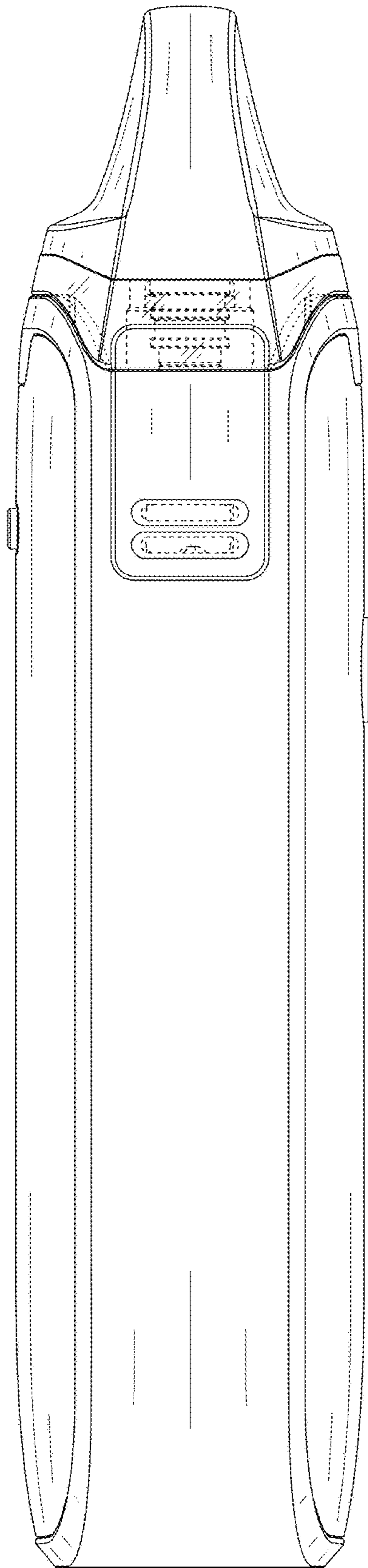


FIG. 29

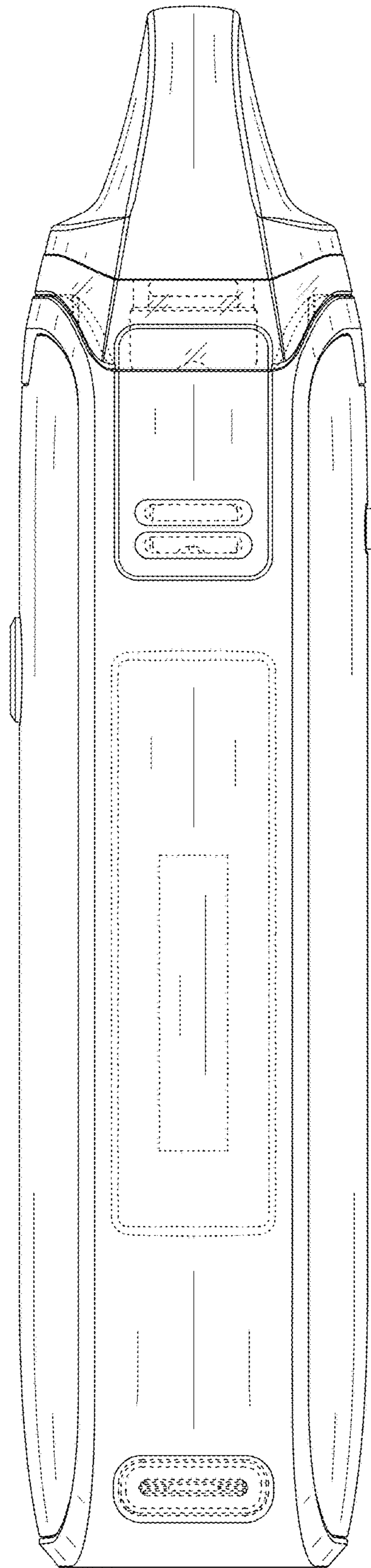


FIG. 30

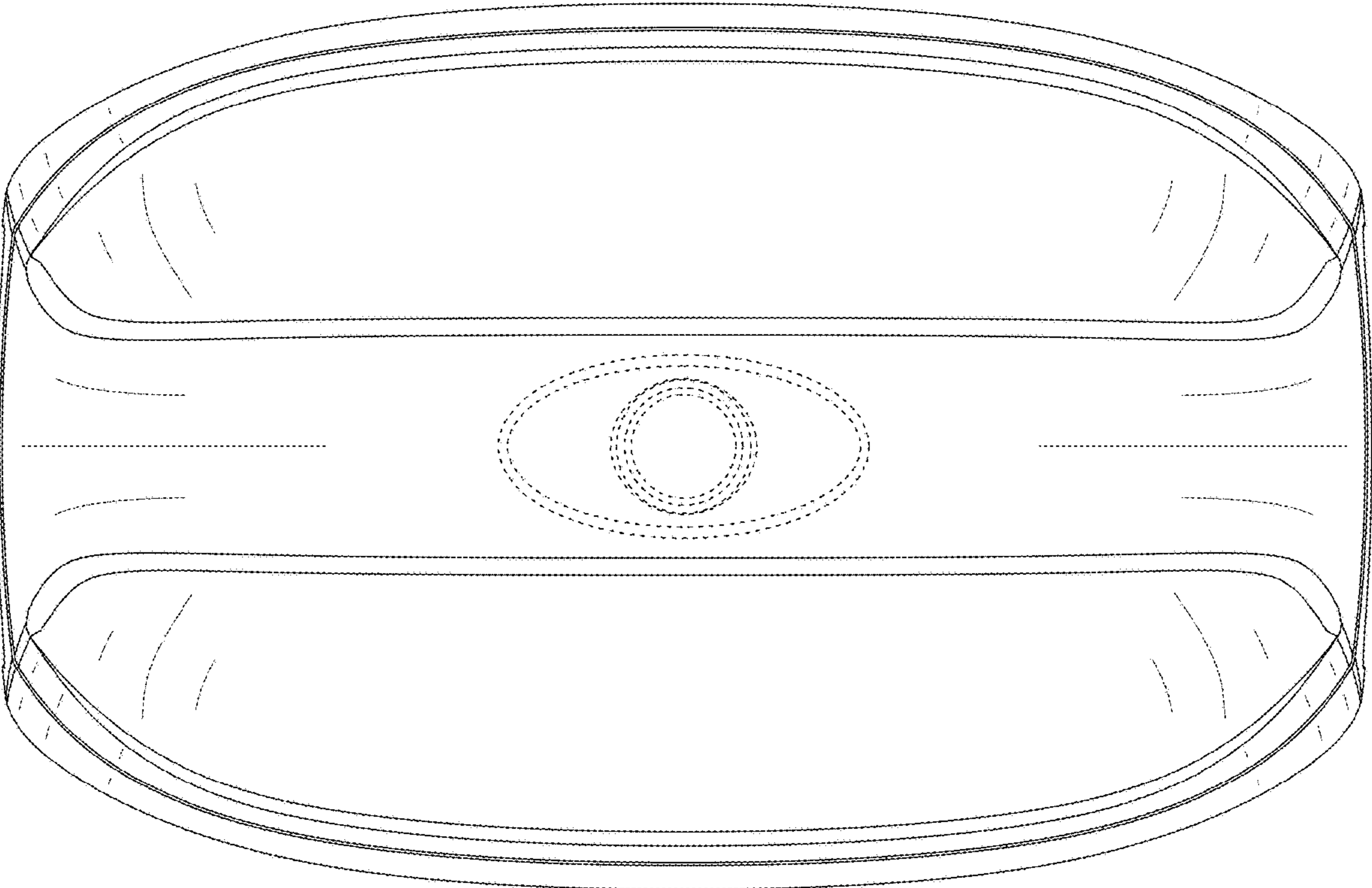


FIG. 31

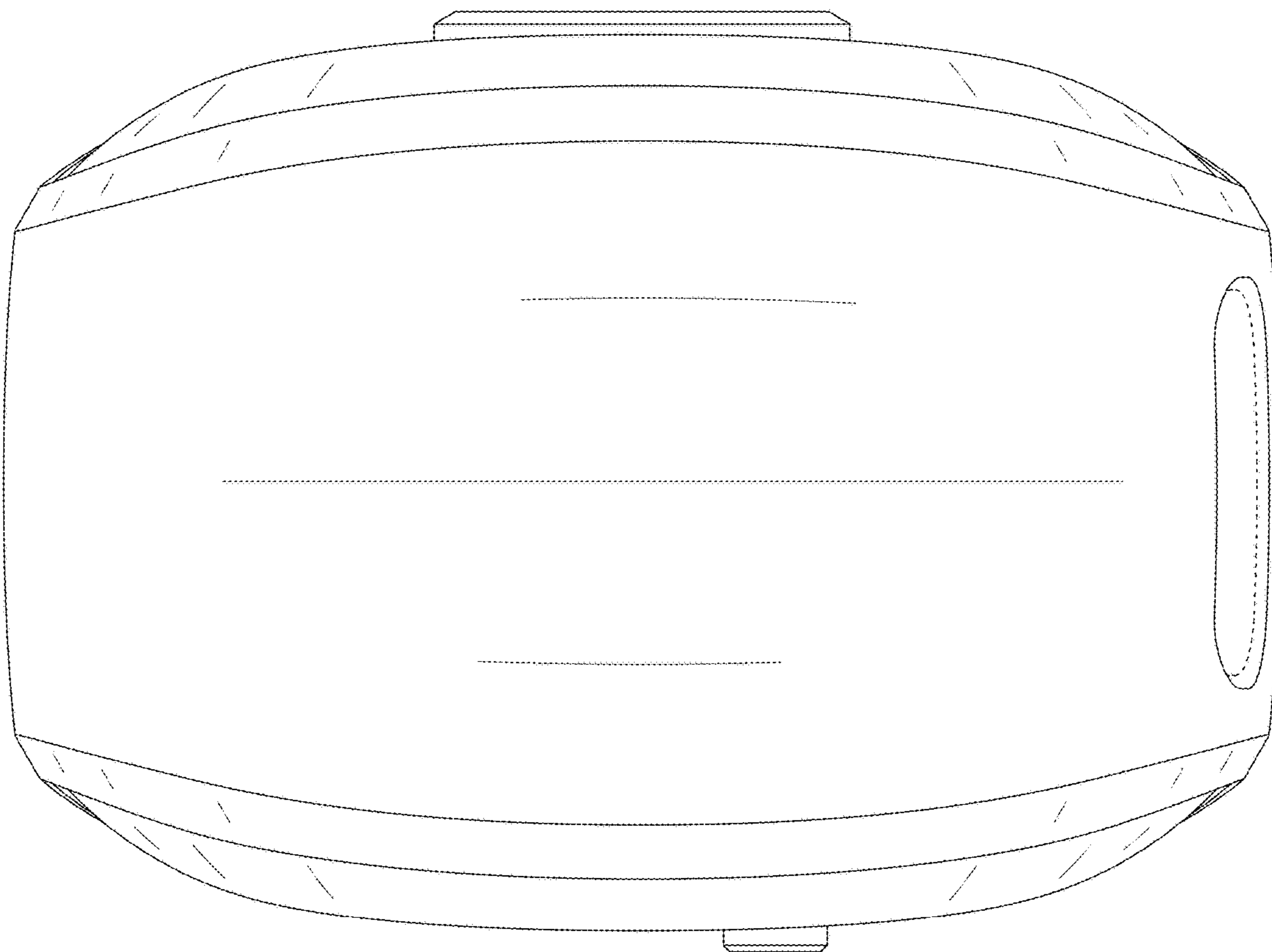


FIG. 32

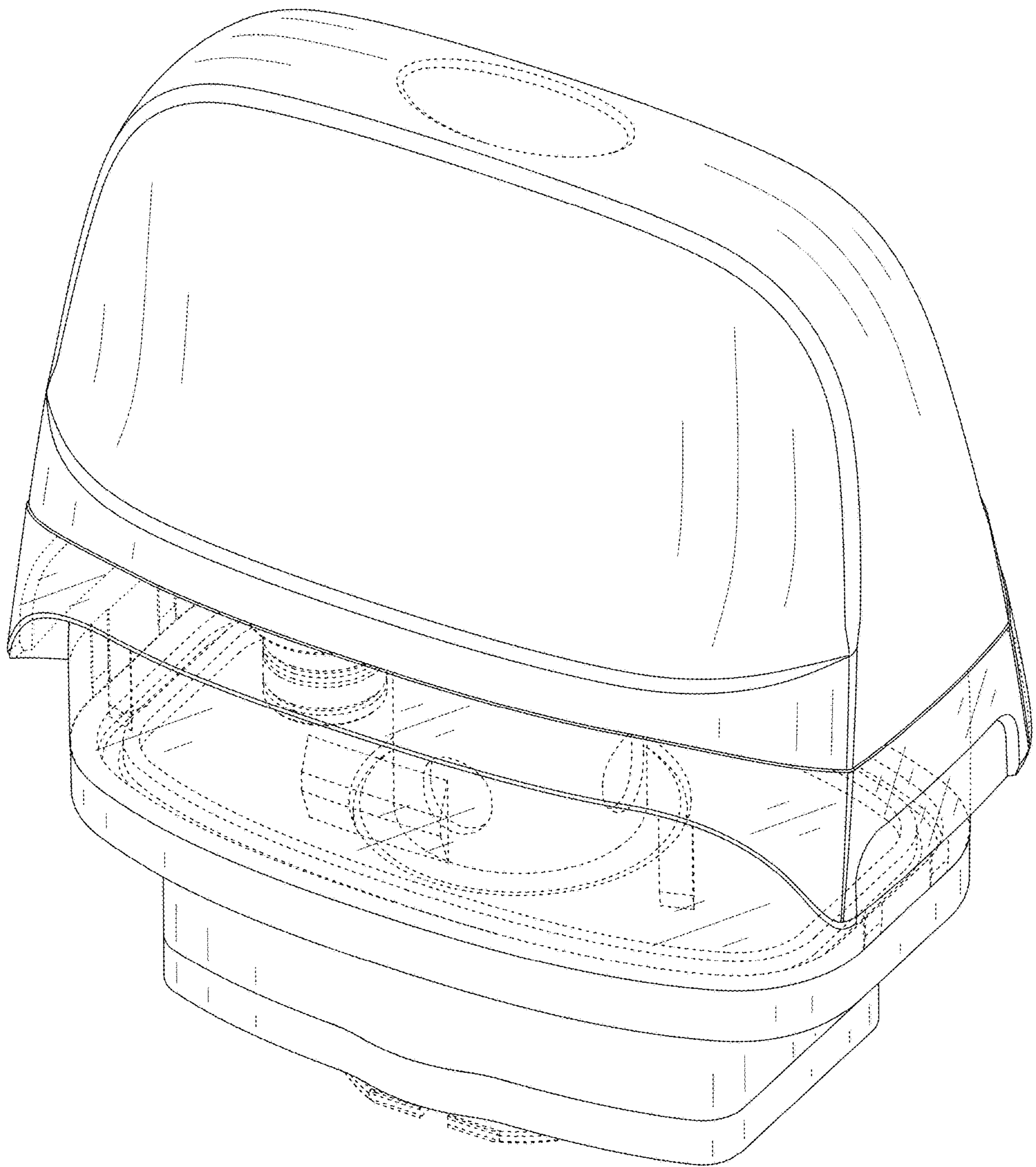


FIG. 33

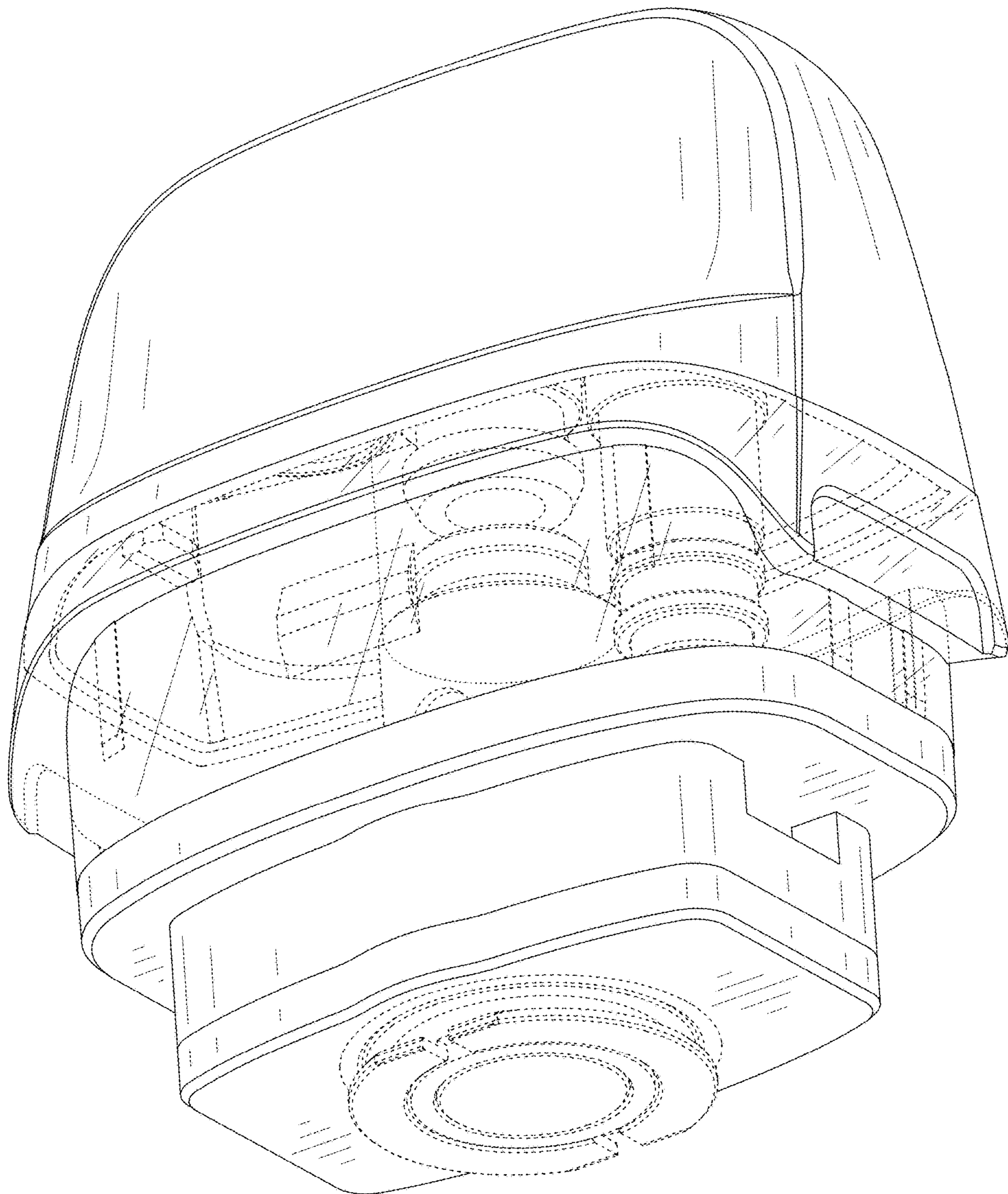


FIG. 34

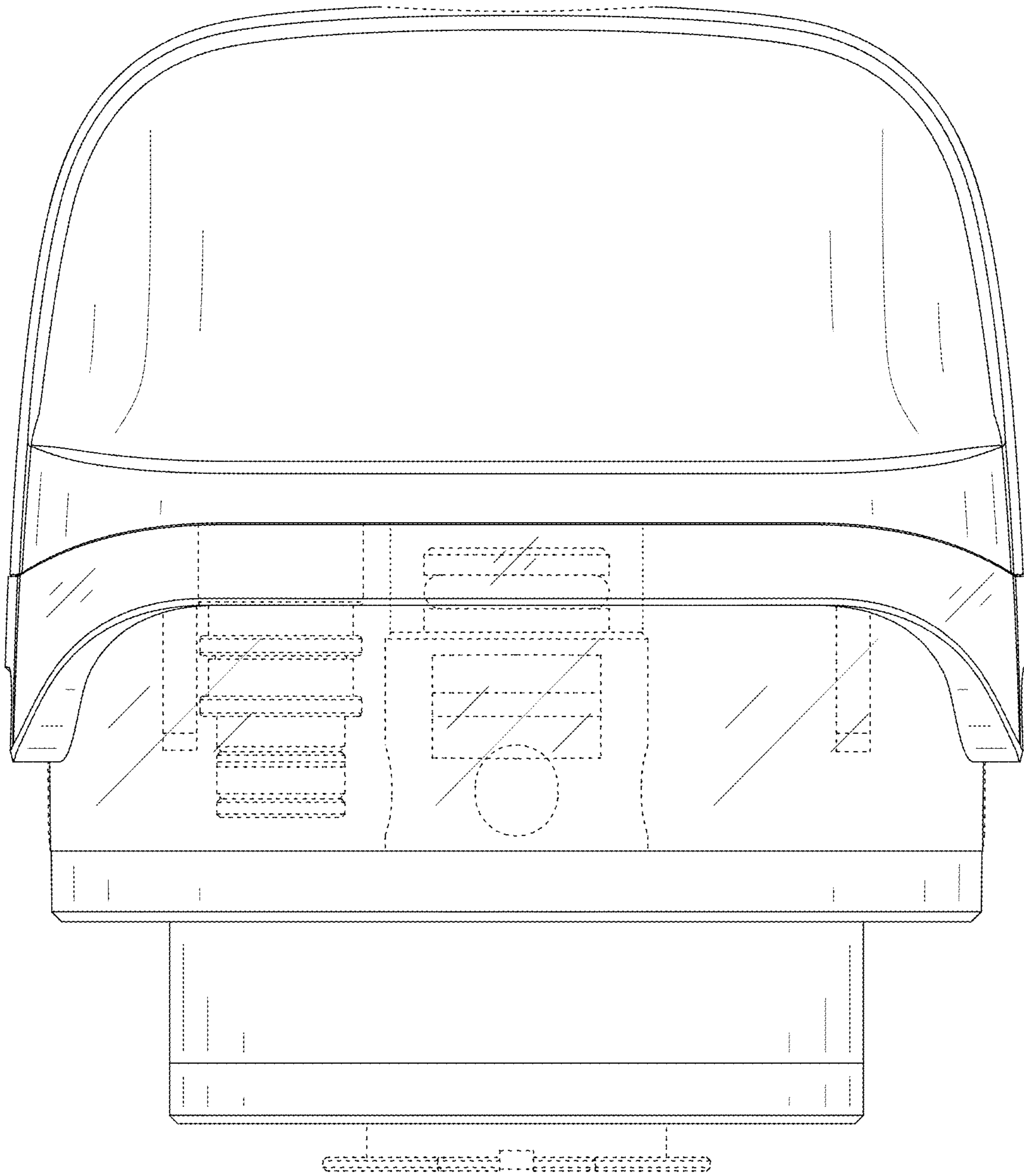


FIG. 35

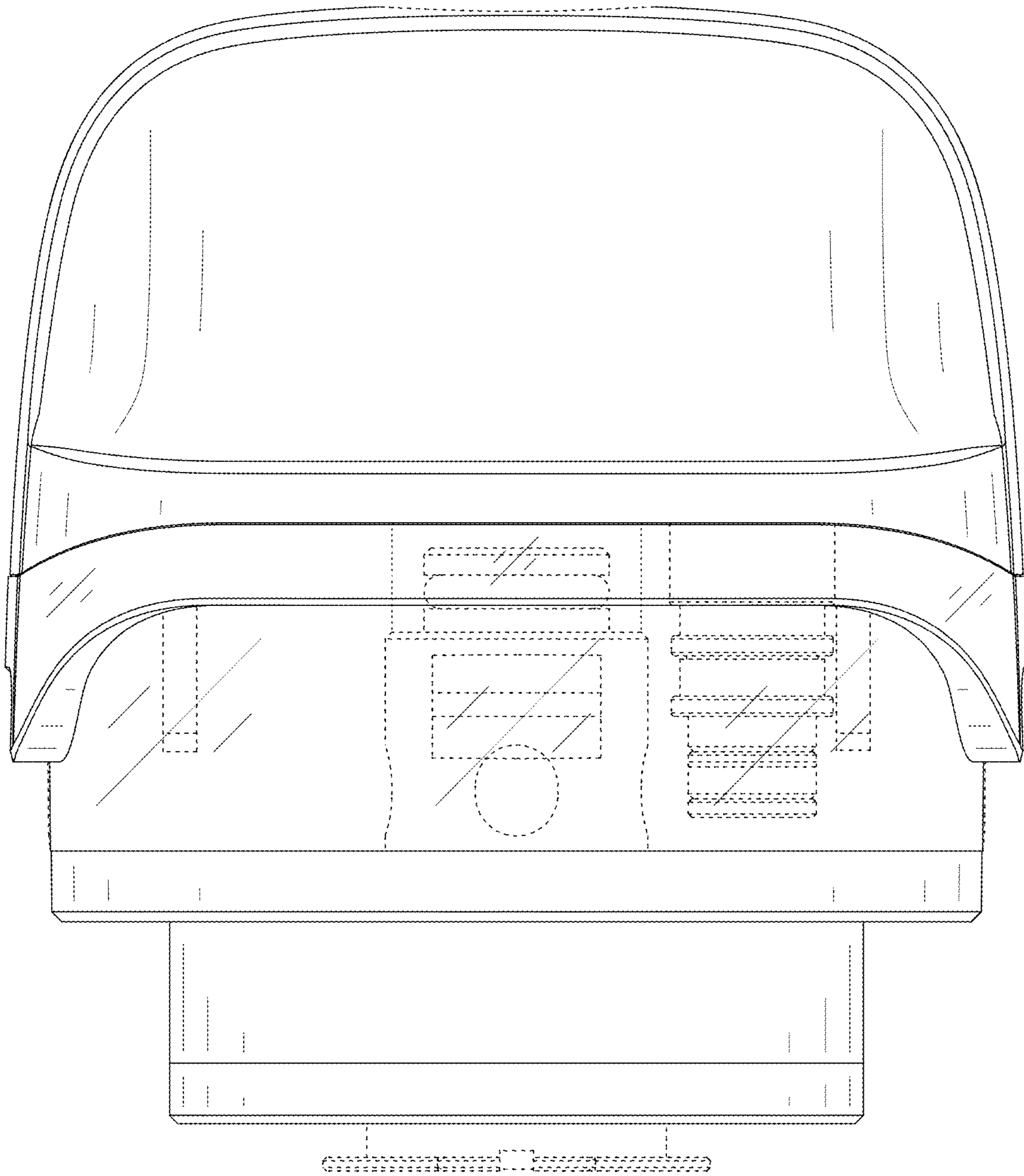


FIG. 36

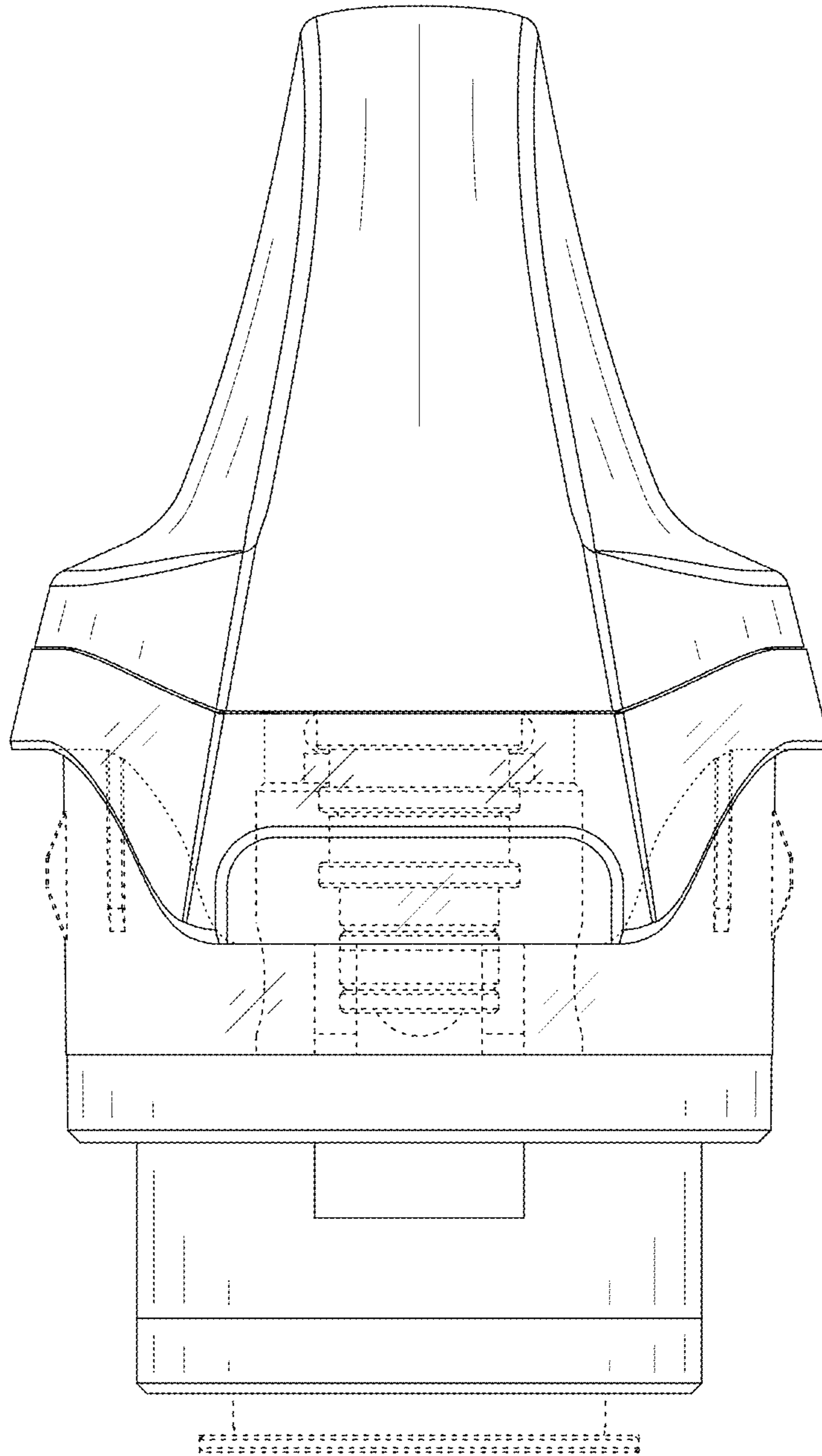


FIG. 37

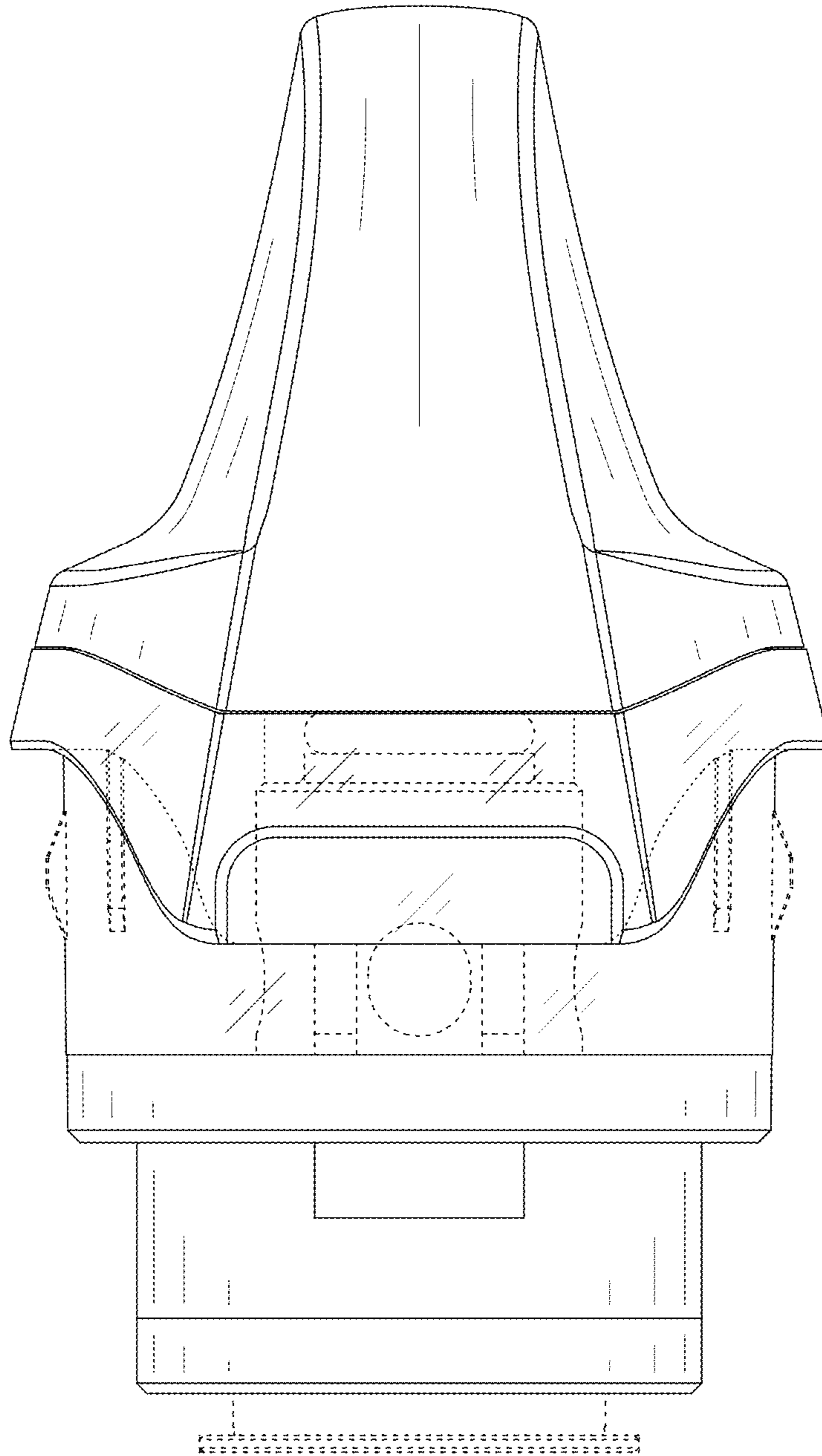


FIG. 38

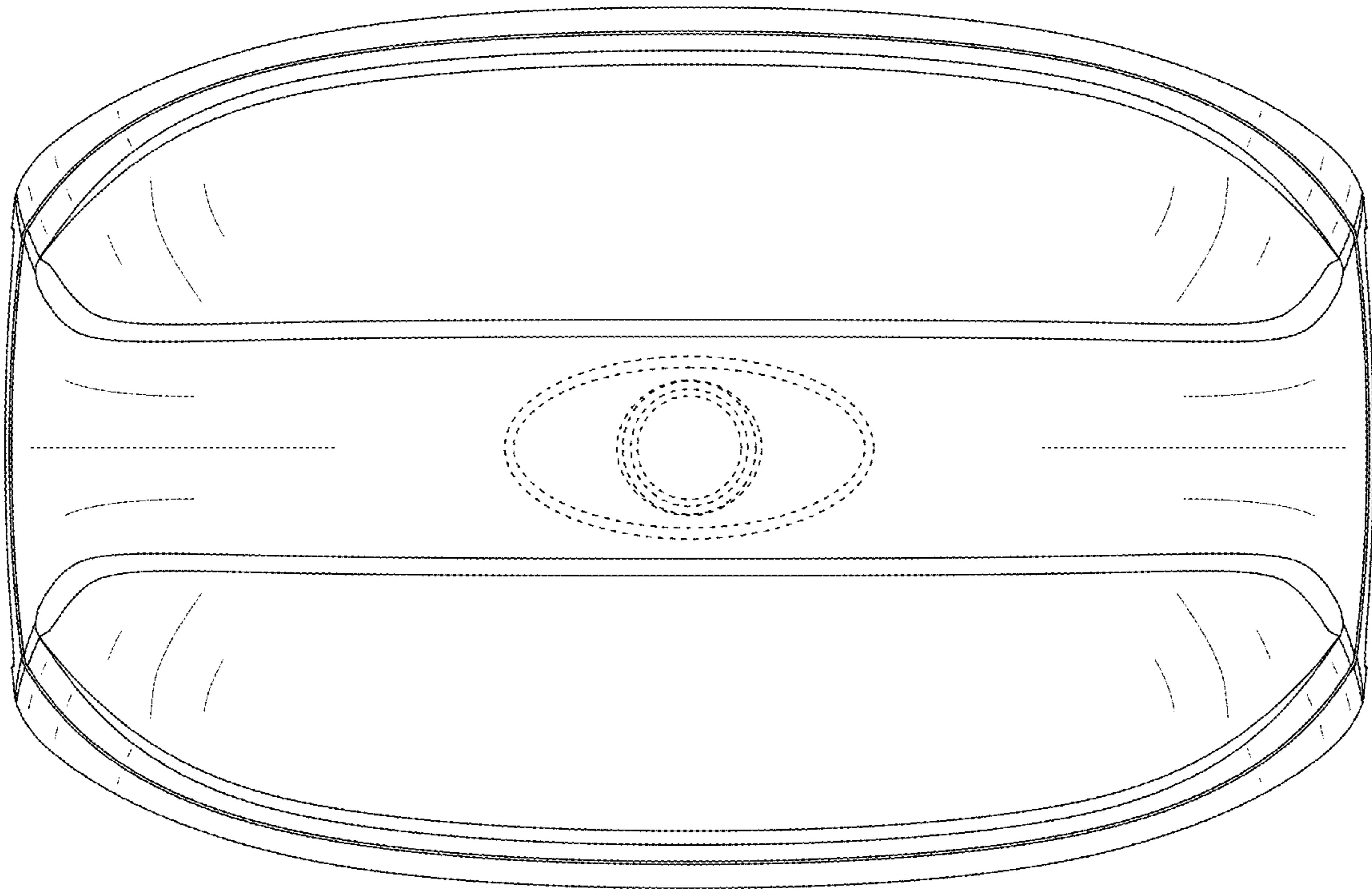


FIG. 39

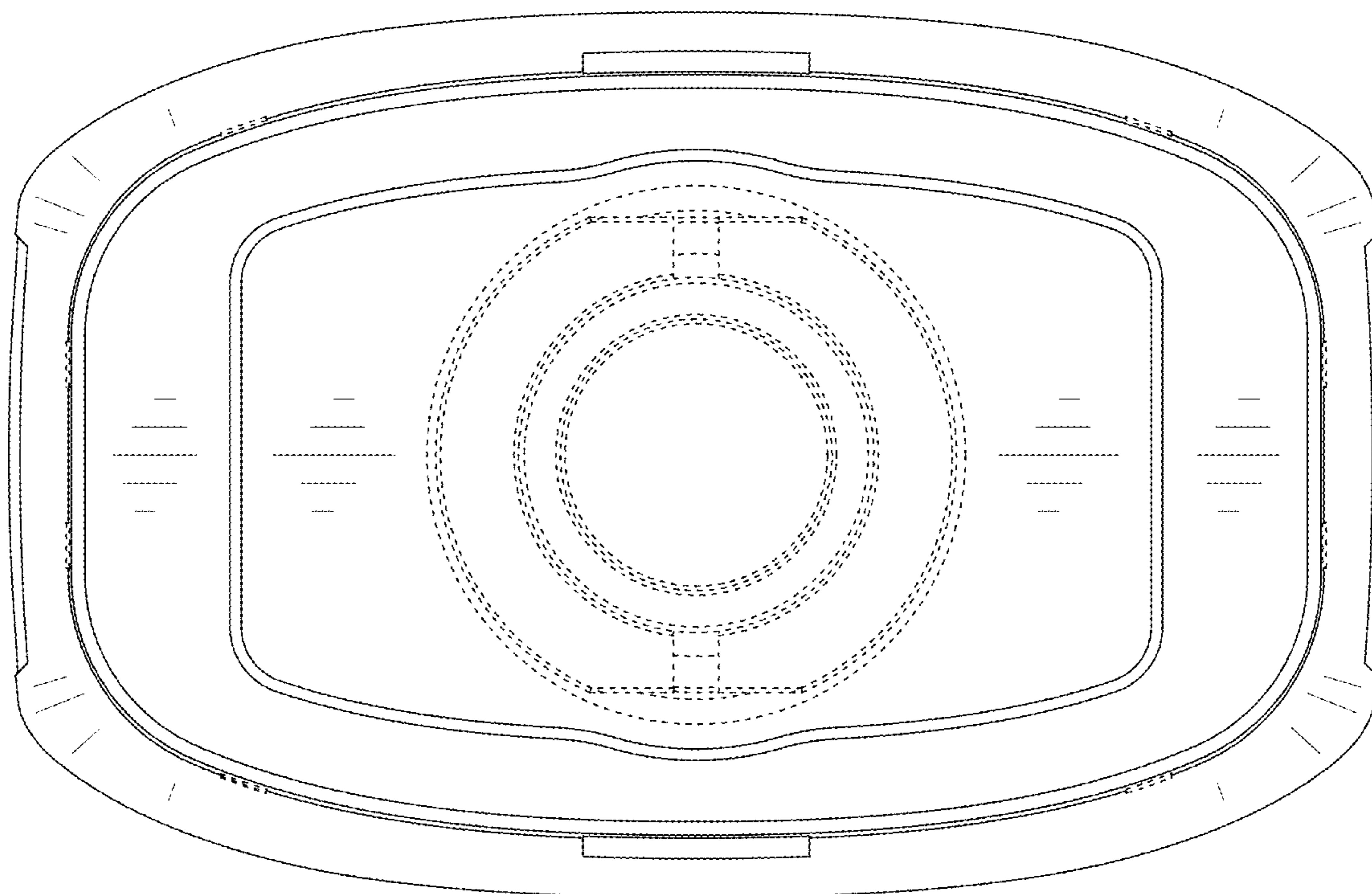


FIG. 40