



US00D965859S

(12) **United States Design Patent** (10) **Patent No.:** **US D965,859 S**
Zu (45) **Date of Patent:** **** Oct. 4, 2022**

(54) **ELECTRONIC CIGARETTE ASSEMBLY**

(71) Applicant: **Shenzhen Smoore Technology Limited**, Shenzhen (CN)

(72) Inventor: **Yue Zu**, Shenzhen (CN)

(73) Assignee: **SHENZHEN SMOORE TECHNOLOGY LIMITED**, Shenzhen (CN)

(**) Term: **15 Years**

(21) Appl. No.: **29/752,845**

(22) Filed: **Sep. 29, 2020**

(30) **Foreign Application Priority Data**

Apr. 7, 2020 (CN) 202030131750.9

(51) **LOC (13) Cl.** **27-02**

(52) **U.S. Cl.**
USPC **D27/162**

(58) **Field of Classification Search**
USPC D27/100, 103, 162-165, 167, 169, 172,
D27/180, 183, 194; D23/360, 366;
D13/107-109

(Continued)

(56) **References Cited**

U.S. PATENT DOCUMENTS

D753,336 S * 4/2016 Chen D27/101
D771,867 S * 11/2016 Leidel D27/163

(Continued)

FOREIGN PATENT DOCUMENTS

CN 304870621 S 10/2018
CN 304883566 S 11/2018

(Continued)

OTHER PUBLICATIONS

Namche USB Lighter Rechargeable Electronic Lighter By: NAMCHE

found on Amazon (Apr. 26, 2022) [https://www.amazon.com/NAMCHE-USB-Lighter-Rechargeable-Electronic/dp/B07RWC7V5K/ref=asc_df_B07RWC7V5K/?tag=hyprod-20&linkCode=df0&hvadid=\(Apr. 7, 2019\).*](https://www.amazon.com/NAMCHE-USB-Lighter-Rechargeable-Electronic/dp/B07RWC7V5K/ref=asc_df_B07RWC7V5K/?tag=hyprod-20&linkCode=df0&hvadid=(Apr. 7, 2019).*)

Primary Examiner — Rebecca Tsehaye

(57) **CLAIM**

The ornamental design for the electronic cigarette assembly, as shown and described.

DESCRIPTION

FIG. 1 is a perspective view of an electronic cigarette assembly wherein an atomizer as component 1 and a power supply as component 2 are shown in an assembled state of use;

FIG. 2 is another perspective view thereof;

FIG. 3 is a front elevational view thereof;

FIG. 4 is a rear elevational view thereof;

FIG. 5 is a left side elevational view thereof;

FIG. 6 is a right side elevational view thereof;

FIG. 7 is an enlarged top plan view thereof;

FIG. 8 is an enlarged bottom plan view thereof;

FIG. 9 is an enlarged perspective view of component 1, the atomizer removed from the electronic cigarette assembly in FIGS. 1-8 for clarity of disclosure;

FIG. 10 is another enlarged perspective view thereof;

FIG. 11 is an enlarged front elevational view thereof;

FIG. 12 is an enlarged rear elevational view thereof;

FIG. 13 is an enlarged left side elevational view thereof;

FIG. 14 is an enlarged right side elevational view thereof;

FIG. 15 is an enlarged top plan view thereof;

FIG. 16 is an enlarged bottom plan view thereof;

FIG. 17 is an enlarged perspective view of component 2, the power supply removed from the electronic cigarette assembly in FIGS. 1-8 for clarity of disclosure;

FIG. 18 is another enlarged perspective view thereof;

FIG. 19 is an enlarged front elevational view thereof;

FIG. 20 is an enlarged rear elevational view thereof;

FIG. 21 is an enlarged left side elevational view thereof;

FIG. 22 is an enlarged right side elevational view thereof;

FIG. 23 is an enlarged top plan view thereof;

FIG. 24 is an enlarged bottom plan view thereof;

(Continued)

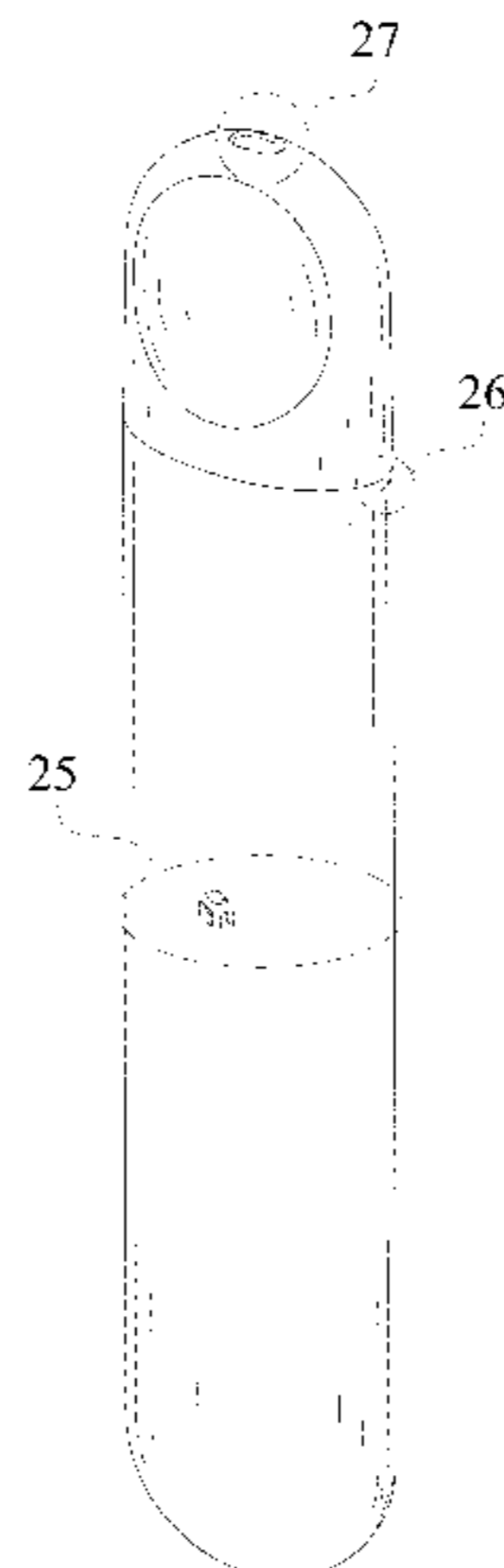


FIG. 25 is an enlarged view of area 25 circumscribed in FIG. 1;
 FIG. 26 is an enlarged view of area 26 circumscribed in FIG. 1; and,
 FIG. 27 is an enlarged view of area 27 circumscribed in FIG. 1.

The broken lines consisting of evenly space dash lines in the drawing depict portions of the electronic cigarette assembly that form no part of the claimed design. The broken lines consisting of short and long dashed lines encircling the enlarged detail views are for annotative purposes that form no part of the claimed design.

1 Claim, 27 Drawing Sheets

(58) Field of Classification Search

CPC A24F 47/008; A24F 47/006; A24F 47/002;
 A61M 15/00; A61M 15/06

See application file for complete search history.

(56) References Cited

U.S. PATENT DOCUMENTS

D773,114 S * 11/2016 Leidel D27/163
 D775,762 S * 1/2017 Chen D27/101

D799,746 S * 10/2017 Leidel D27/163
 D800,377 S * 10/2017 Liu D27/101
 D802,834 S * 11/2017 Mathias D27/163
 D819,880 S * 6/2018 Qiu D27/101
 D821,639 S * 6/2018 Dai D27/162
 D828,622 S * 9/2018 Chen D27/162
 D831,269 S * 10/2018 Qiu D27/162
 D836,242 S * 12/2018 Xu D27/162
 D881,462 S * 4/2020 Wright D27/162
 D890,416 S * 7/2020 Ouyang D27/162
 D907,288 S * 1/2021 Liu D27/162
 D910,907 S * 2/2021 Liu D27/162
 D914,278 S * 3/2021 Luo D27/162
 D932,093 S * 9/2021 Shi D27/162
 D932,095 S * 9/2021 Liu D27/162
 D939,762 S * 12/2021 Liu D27/162
 D942,674 S * 2/2022 Ouyang D27/162
 D943,164 S * 2/2022 Liu D27/162
 D943,811 S * 2/2022 Liu D27/162
 D947,447 S * 3/2022 Liu D27/162

FOREIGN PATENT DOCUMENTS

CN 305094930 S 4/2019
 CN 305633908 S 3/2020

* cited by examiner

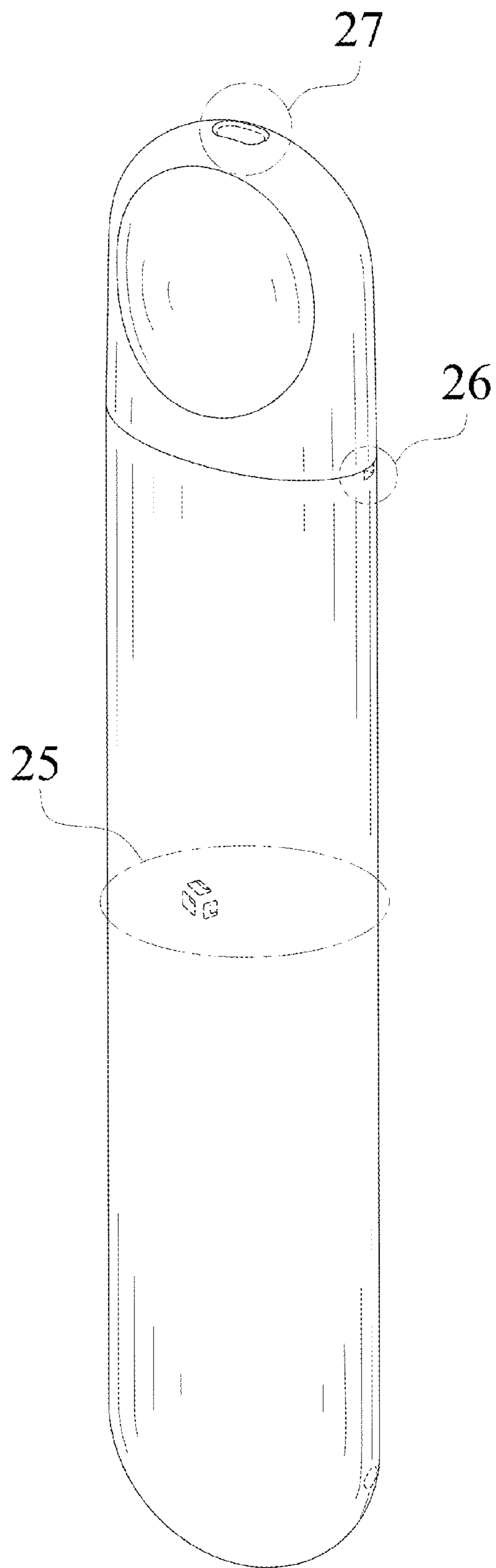


FIG. 1

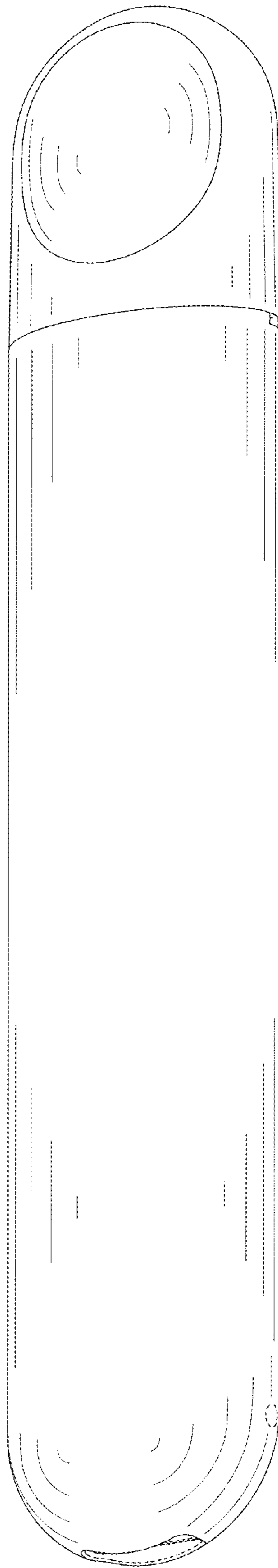


FIG. 2

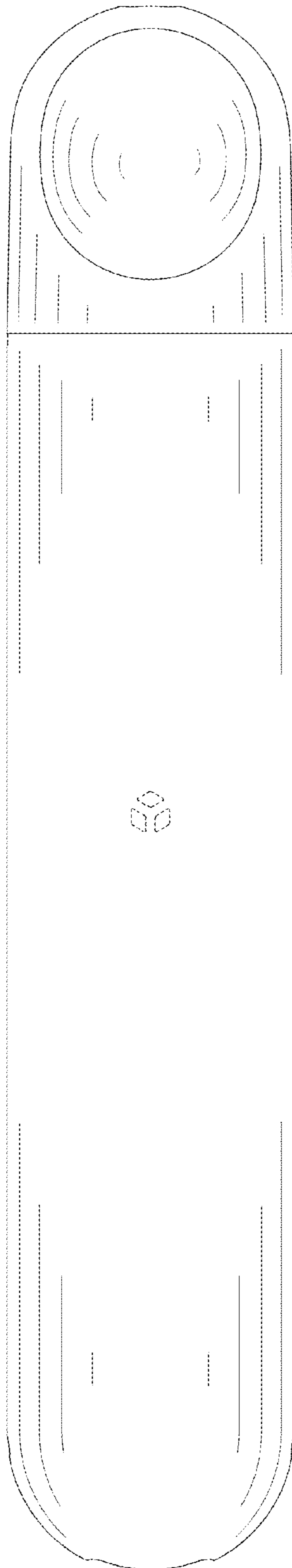


FIG. 3

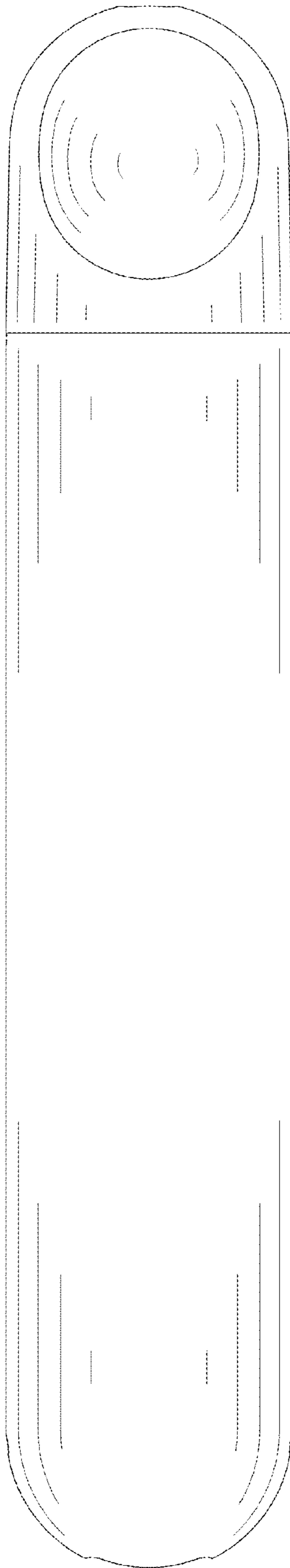


FIG. 4

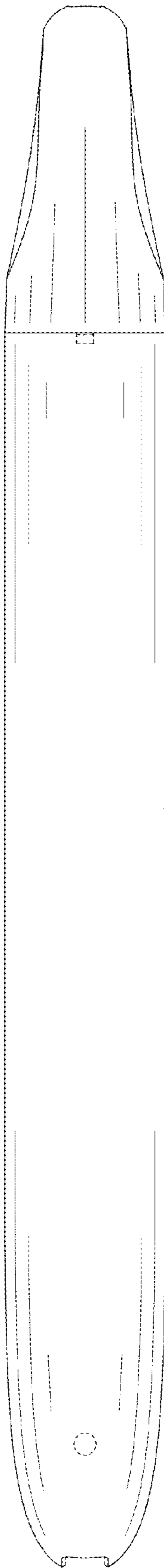


FIG. 5

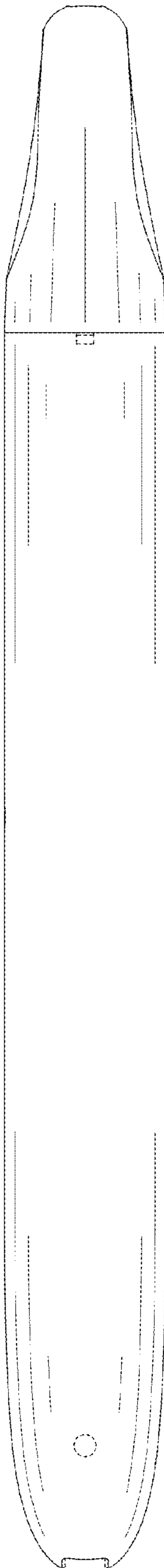


FIG. 6

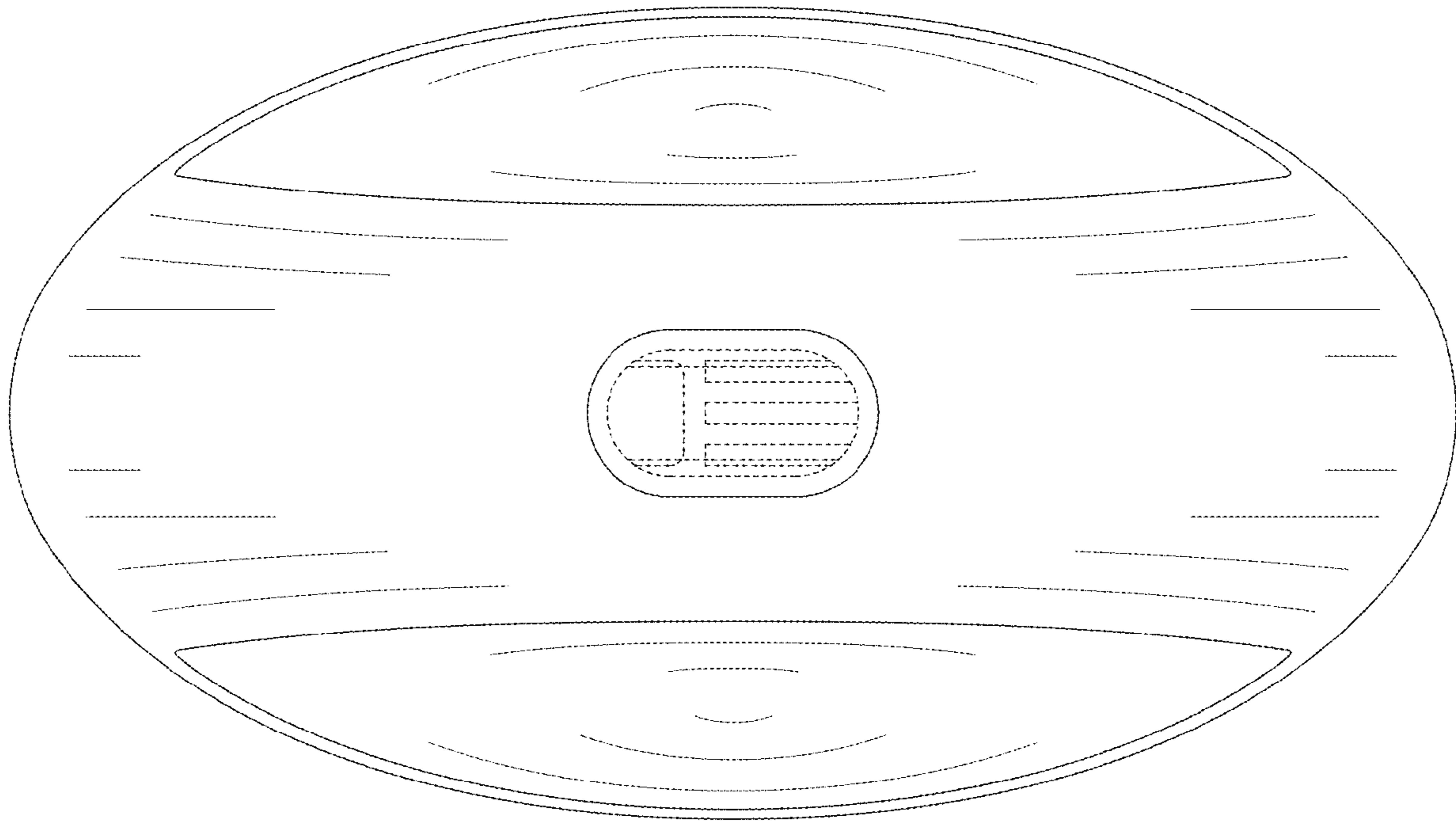


FIG. 7

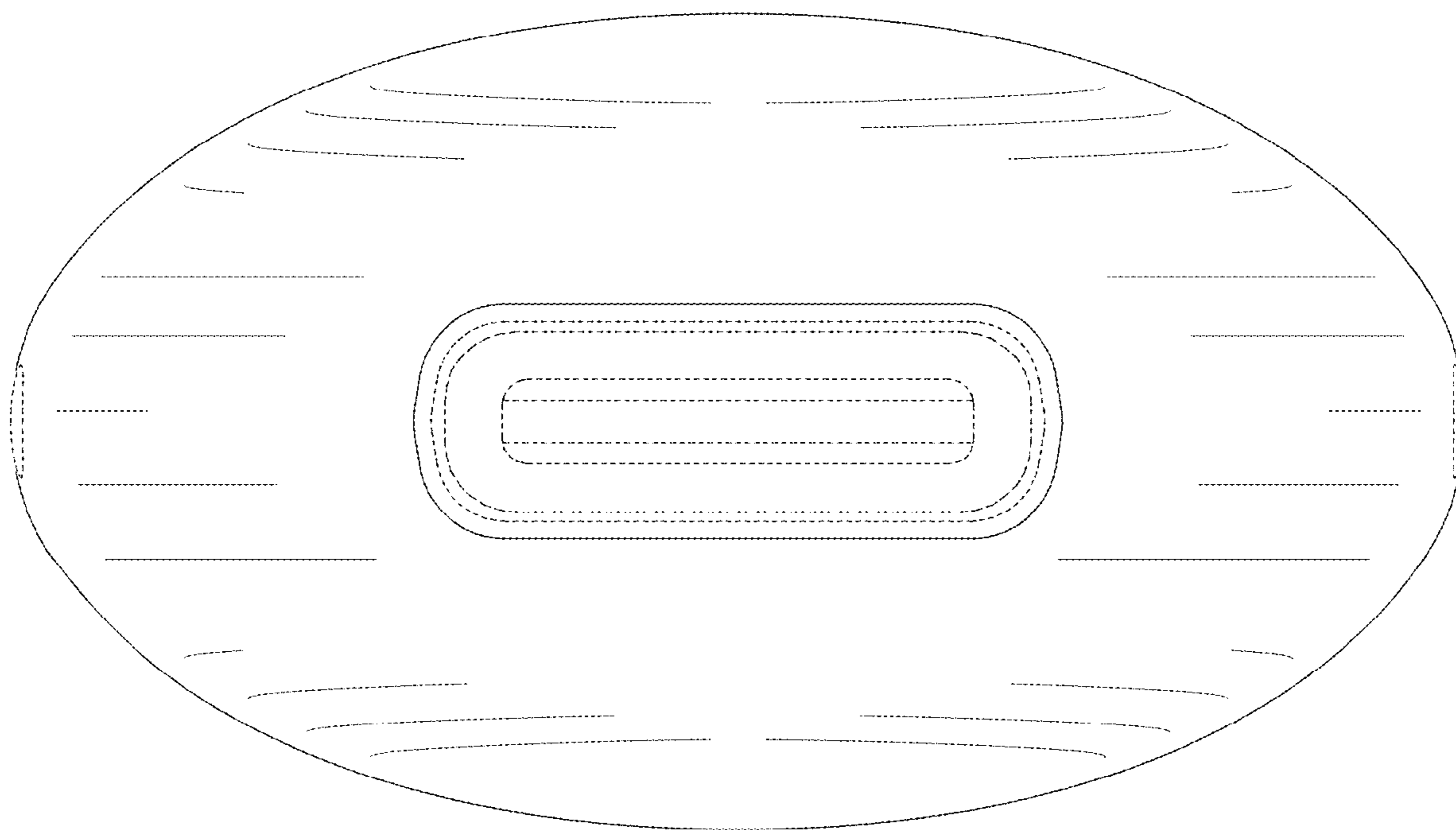


FIG. 8

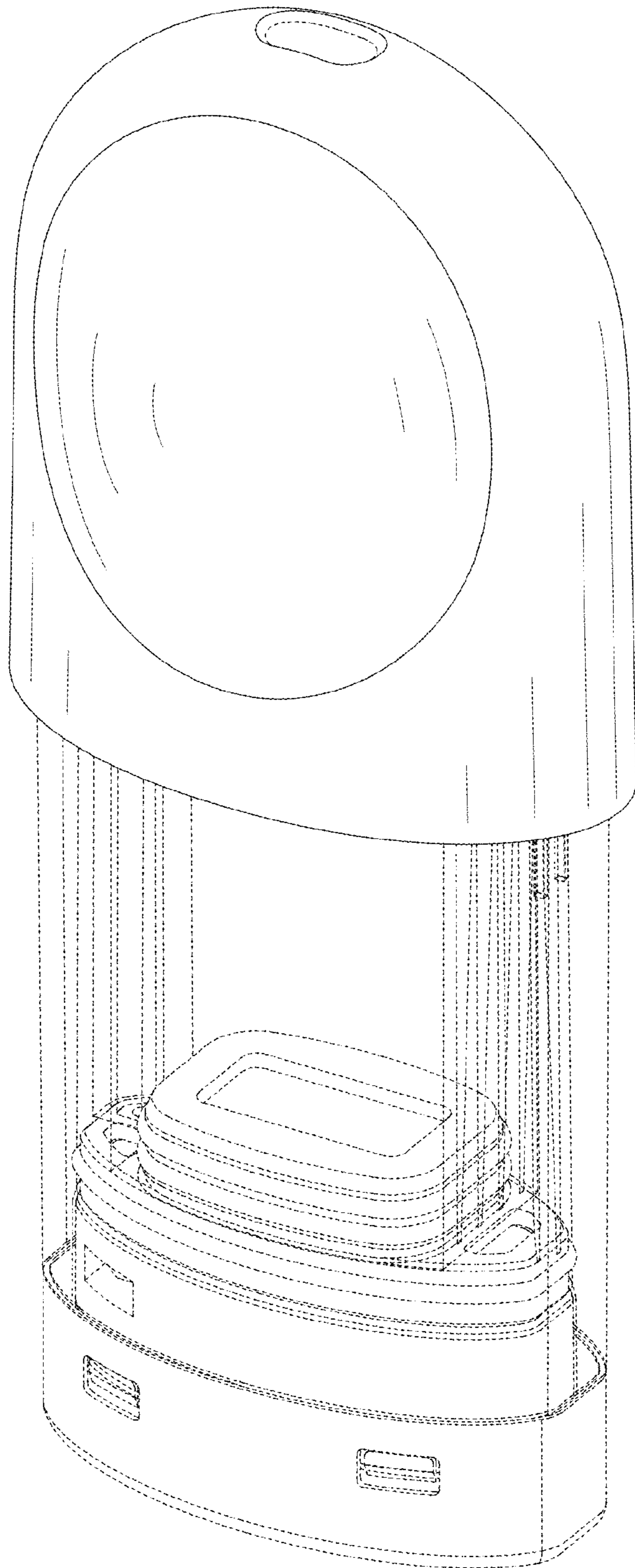


FIG. 9

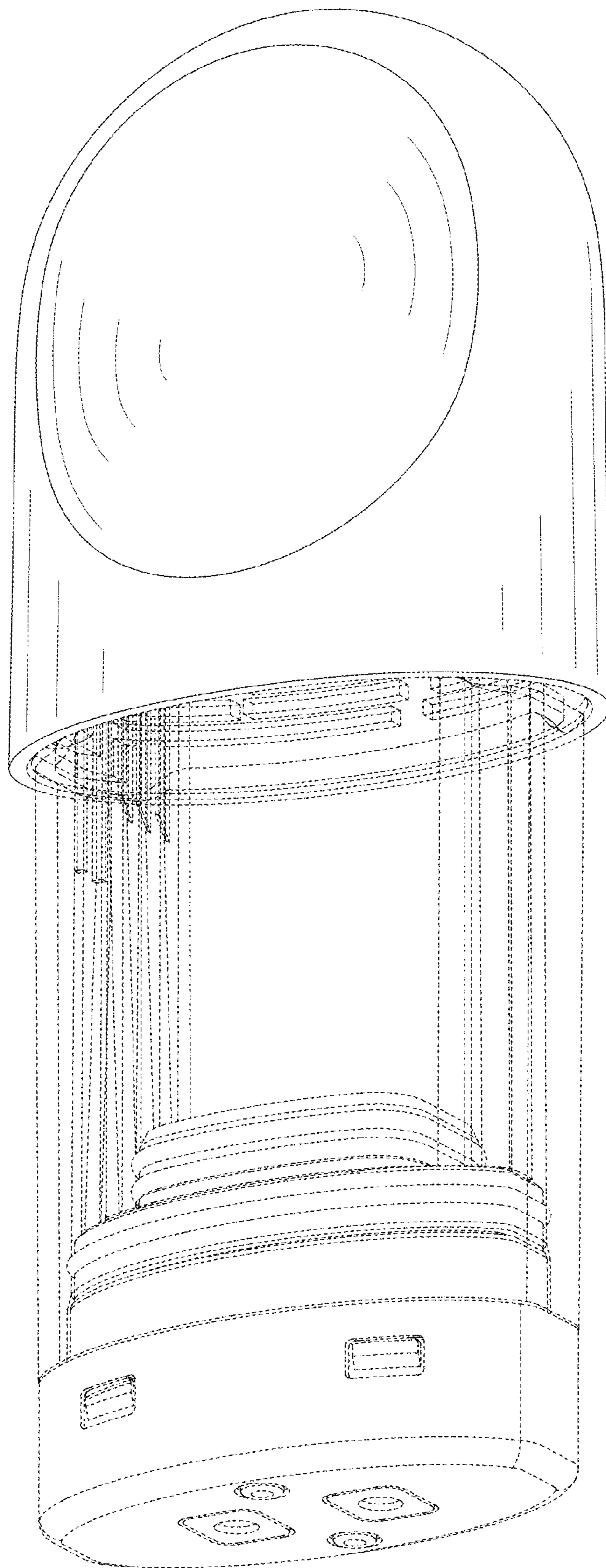


FIG. 10

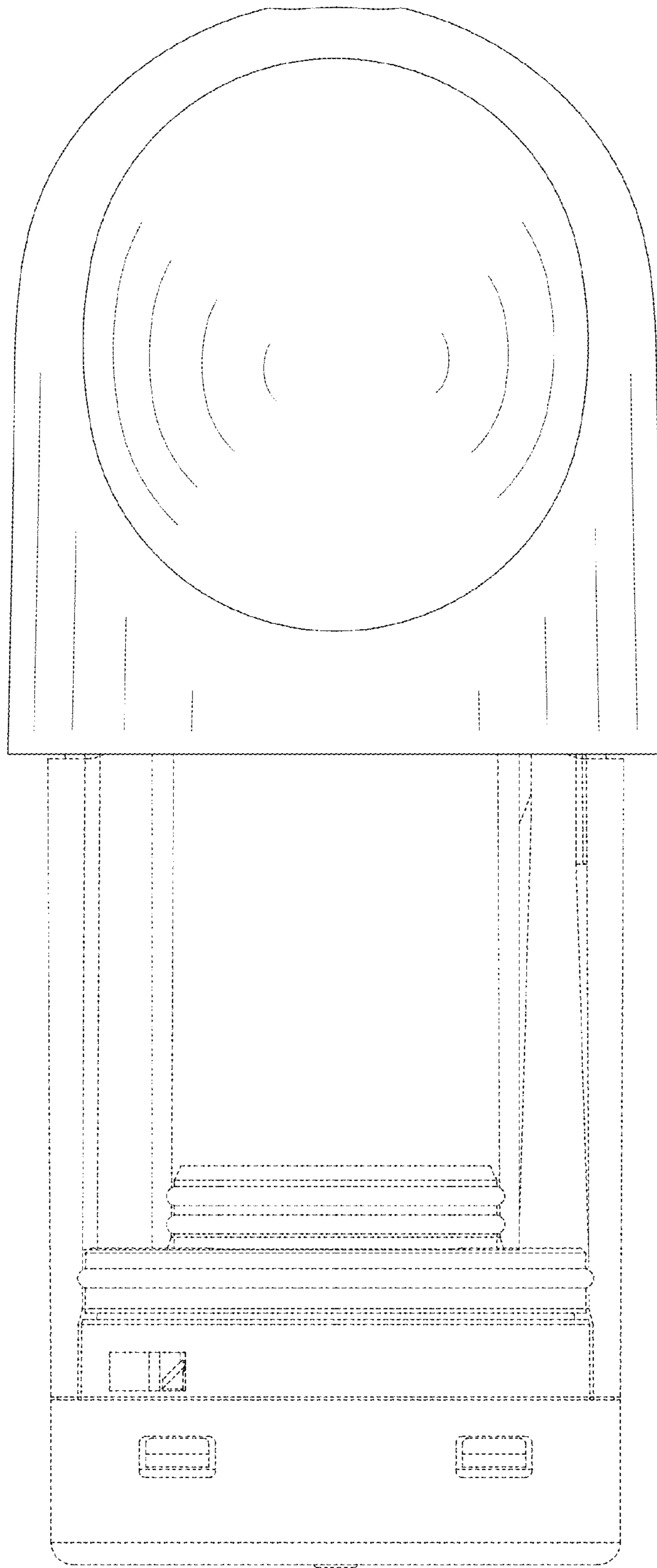


FIG. 11

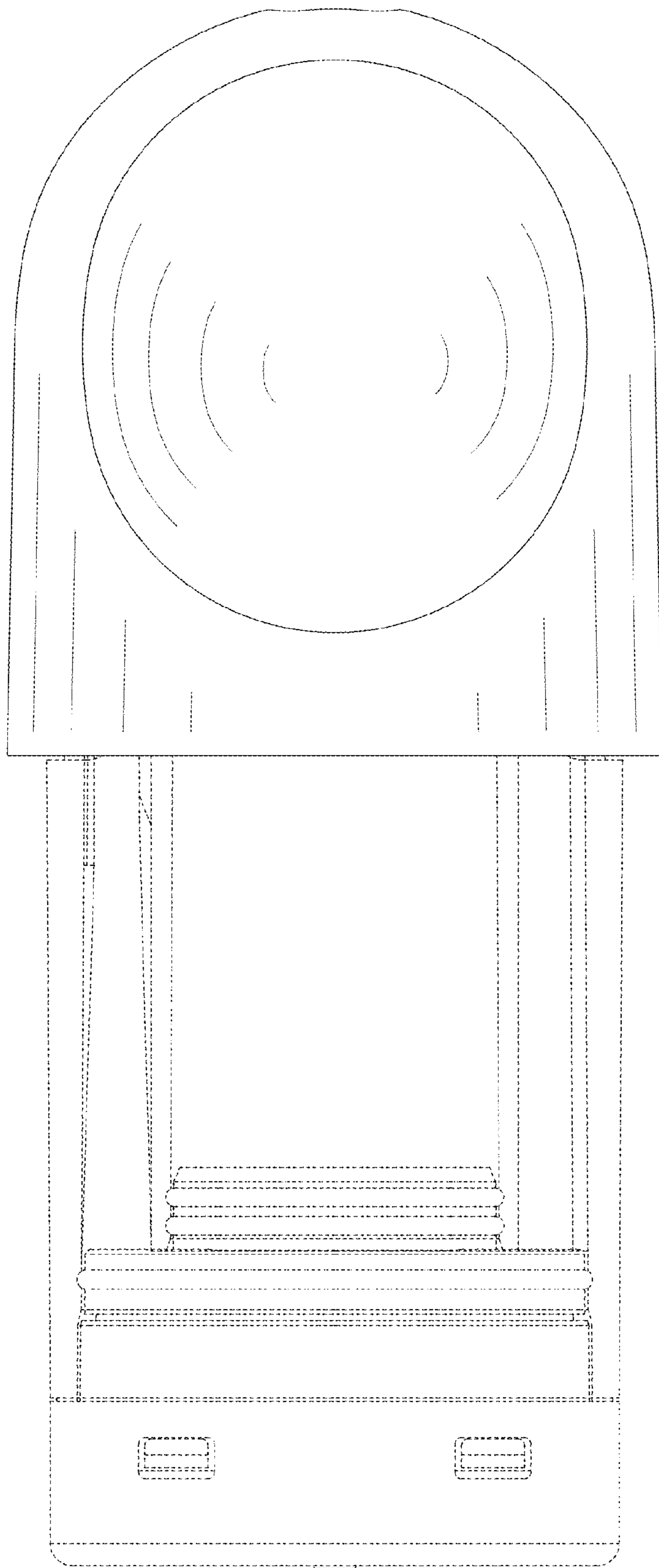


FIG. 12

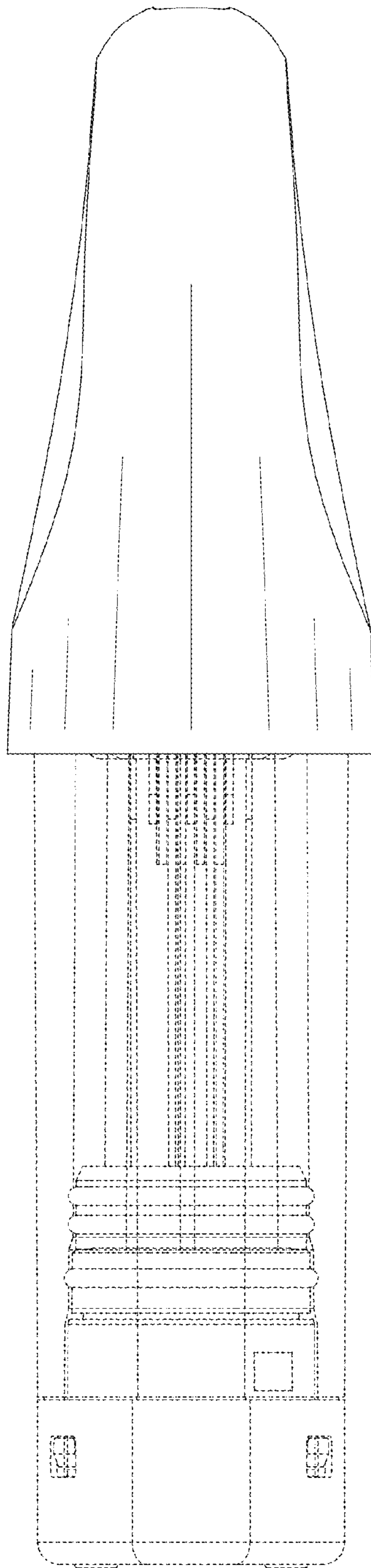


FIG. 13

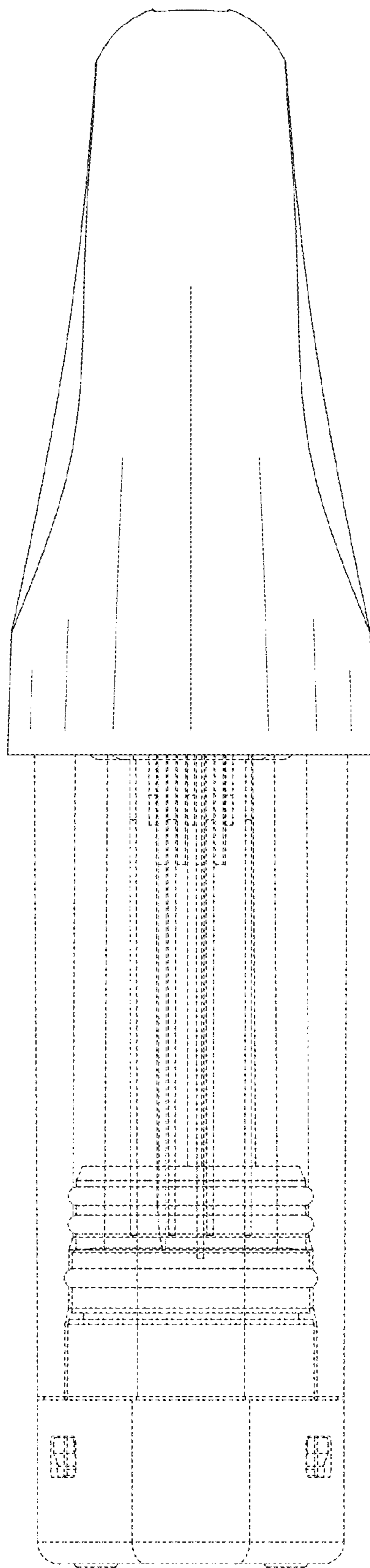


FIG. 14

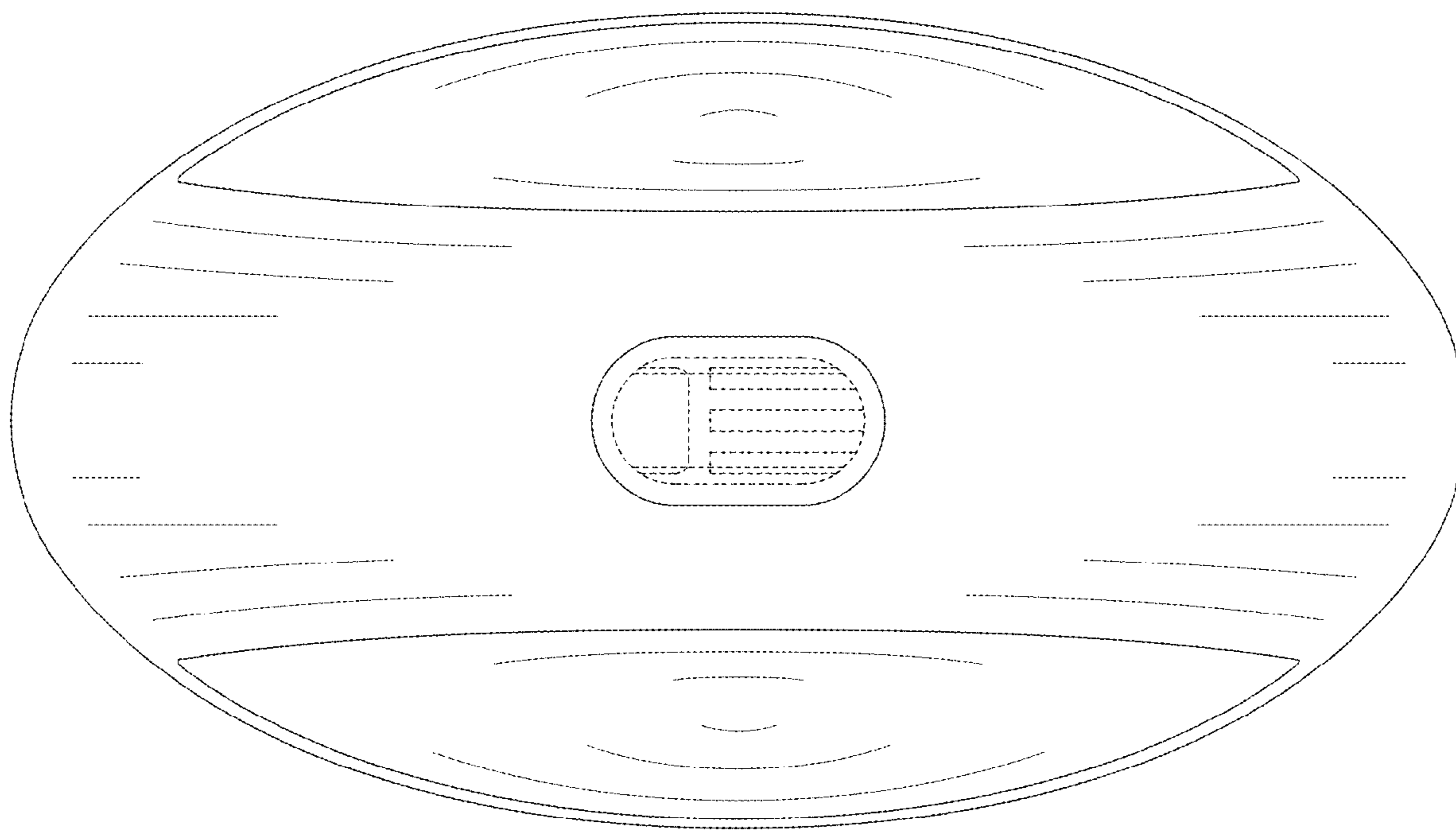


FIG. 15

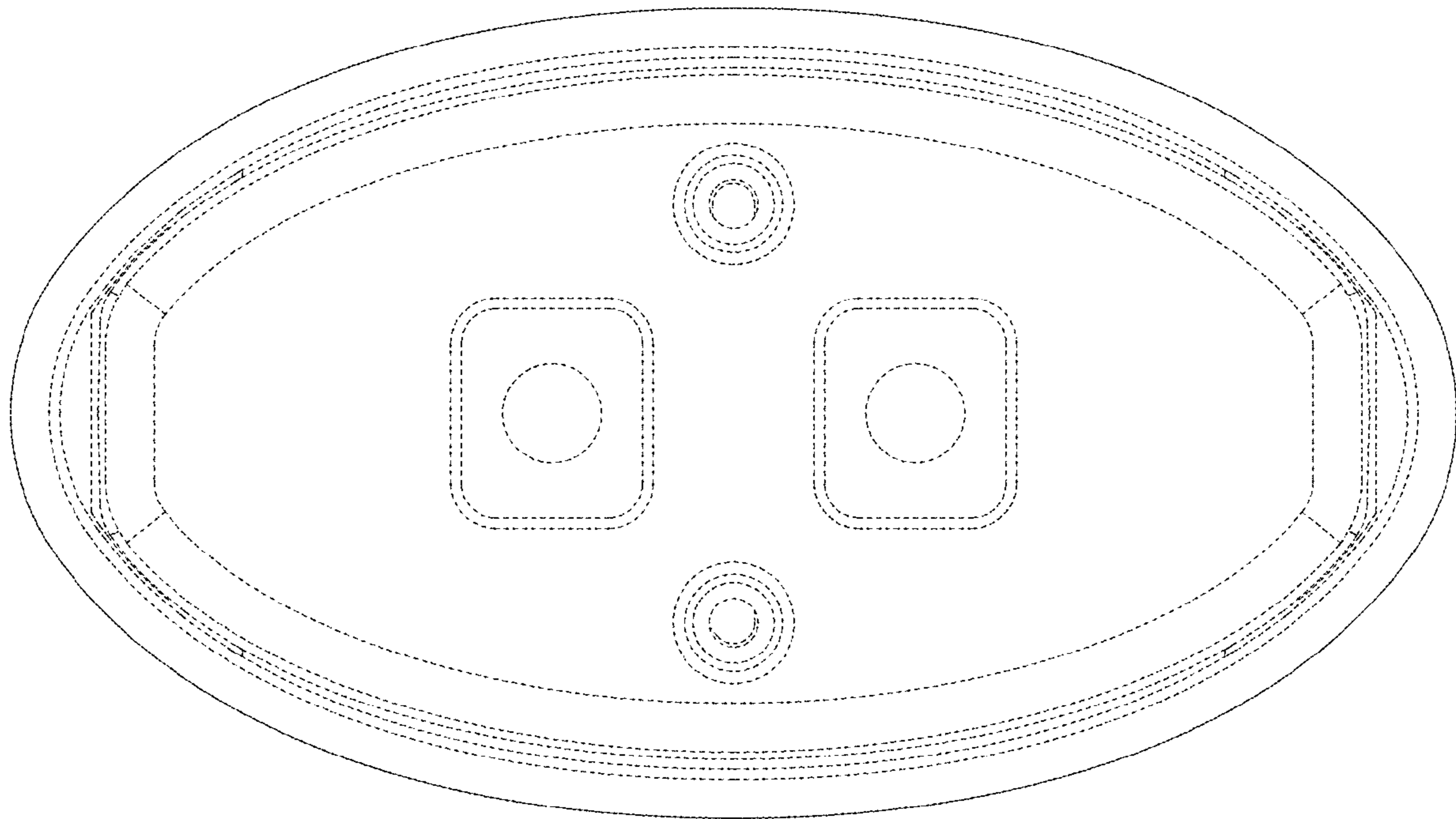


FIG. 16

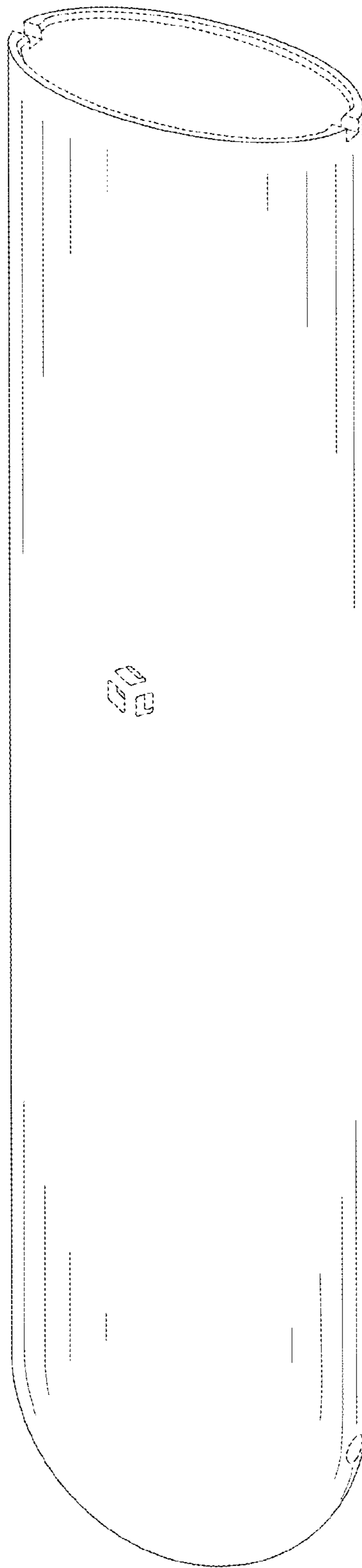


FIG. 17

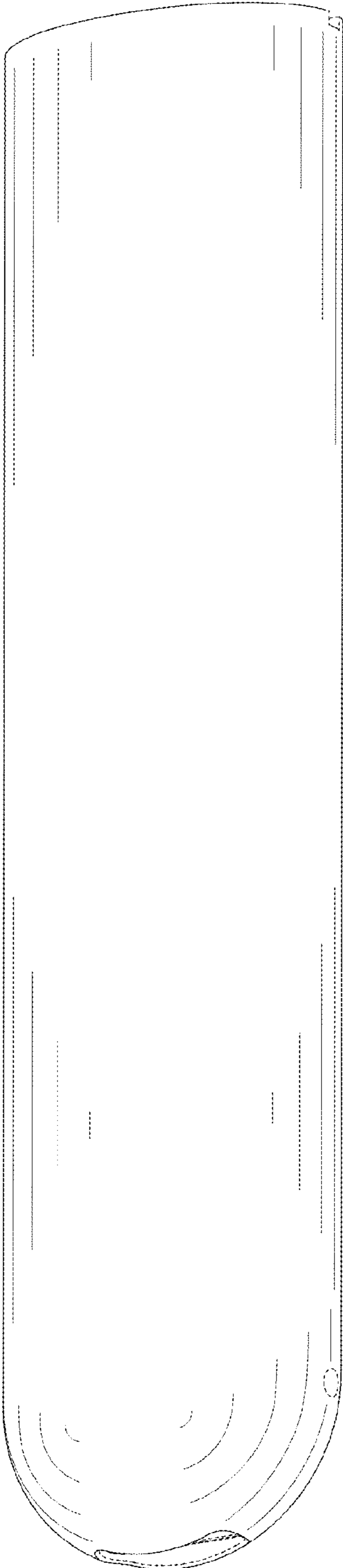


FIG. 18

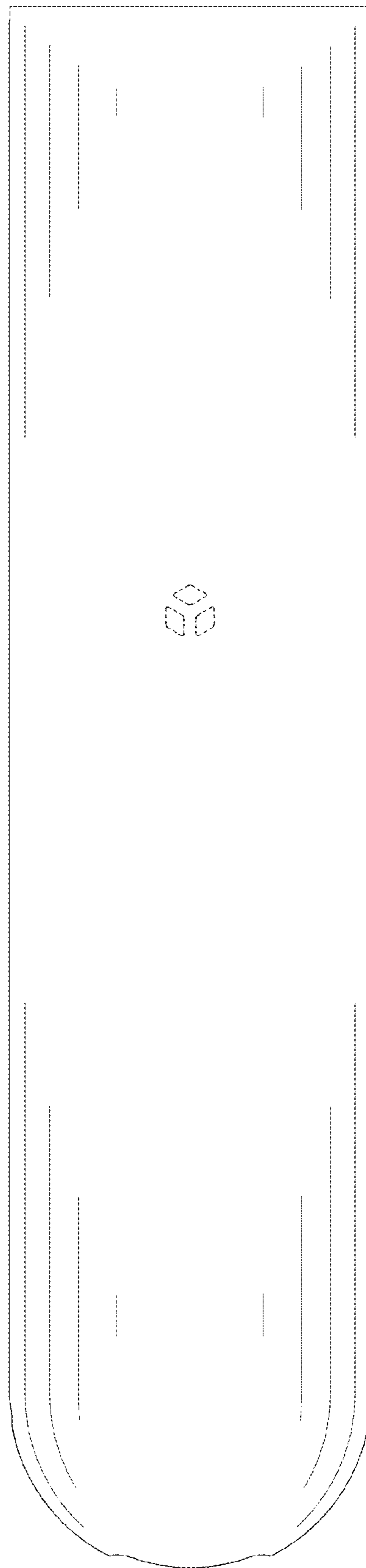


FIG. 19

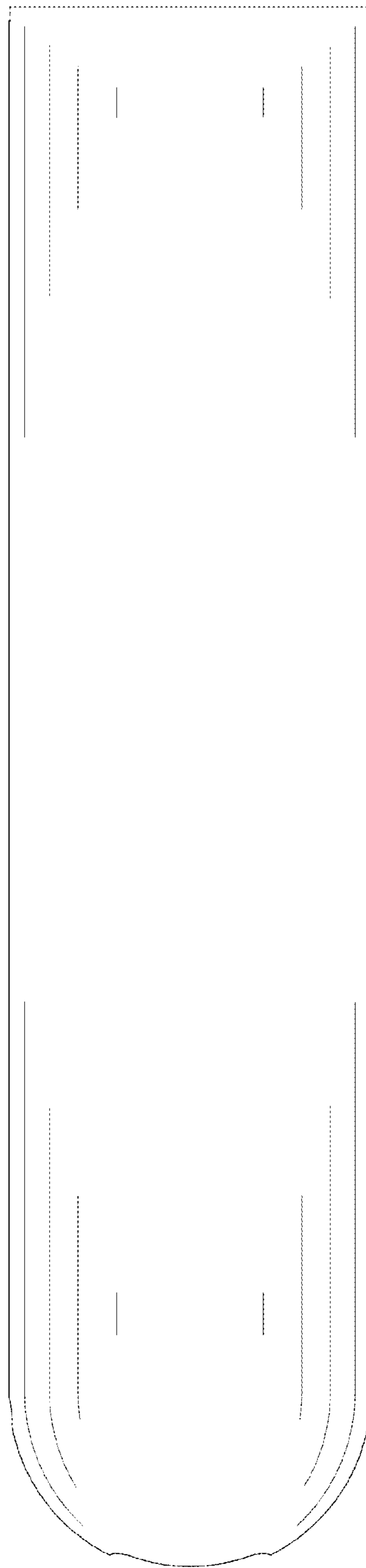


FIG. 20

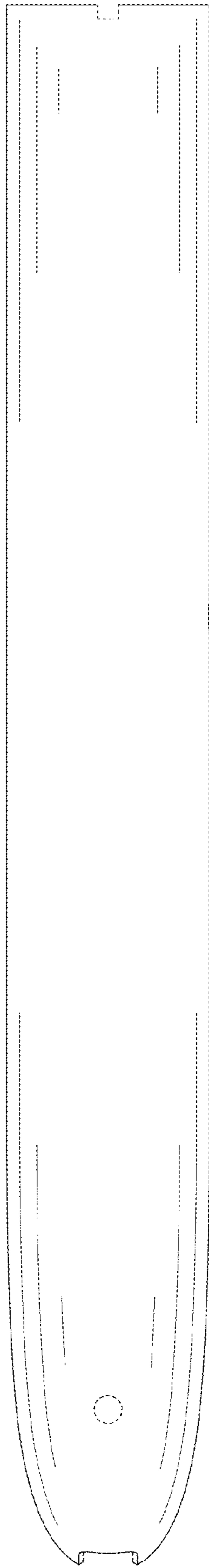


FIG. 21

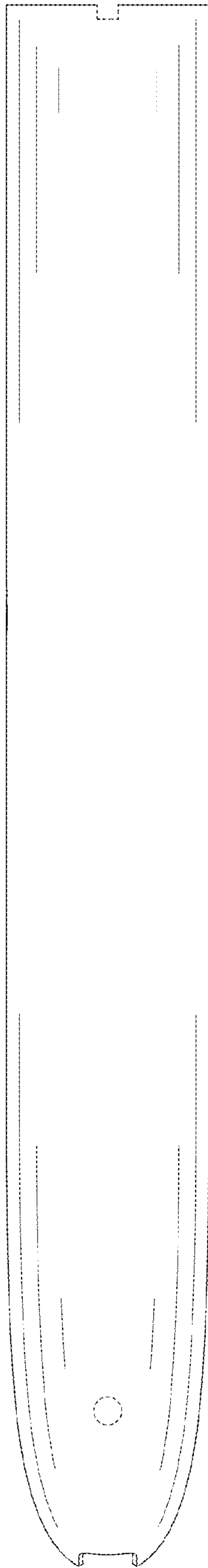


FIG. 22

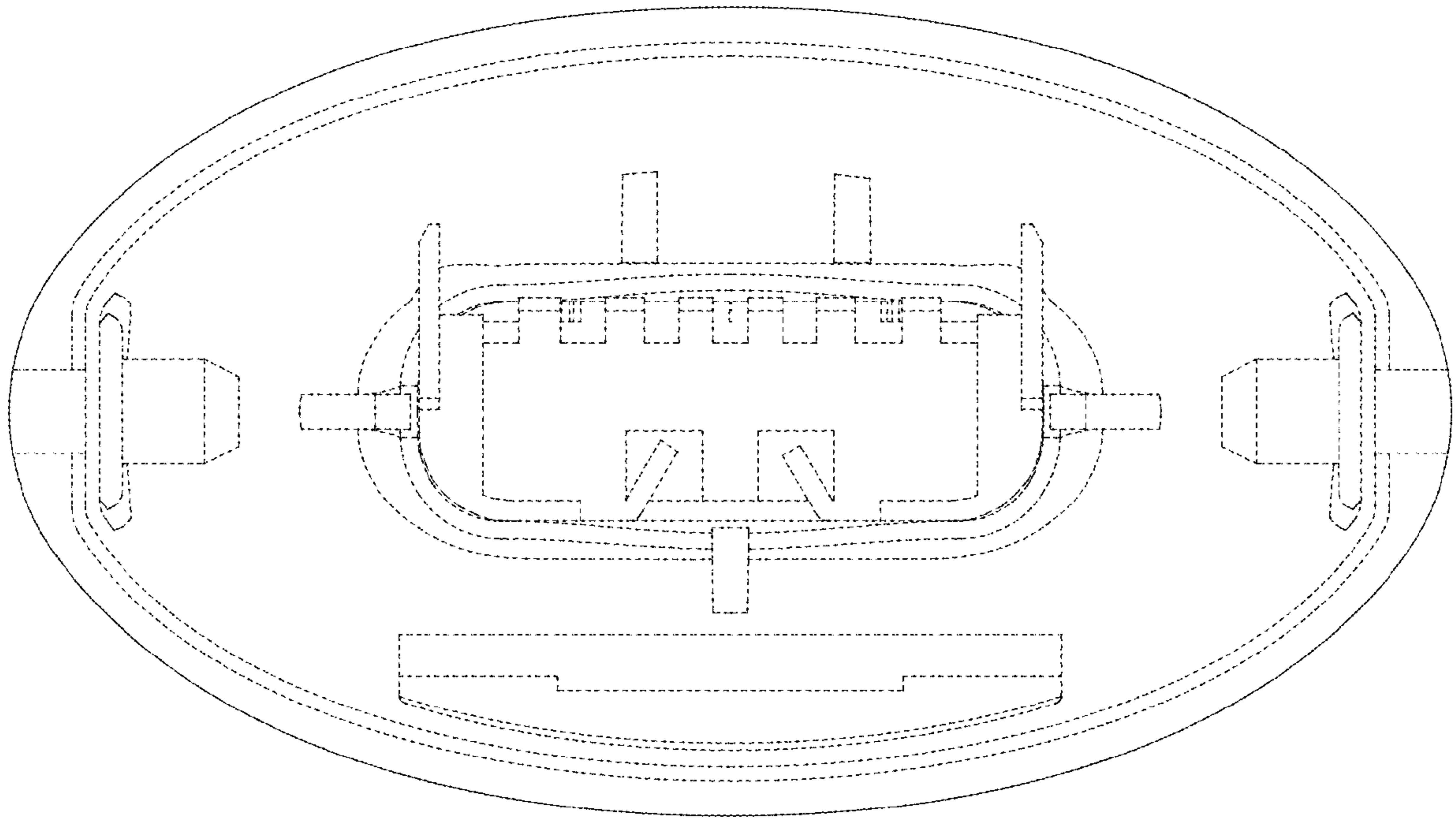


FIG. 23

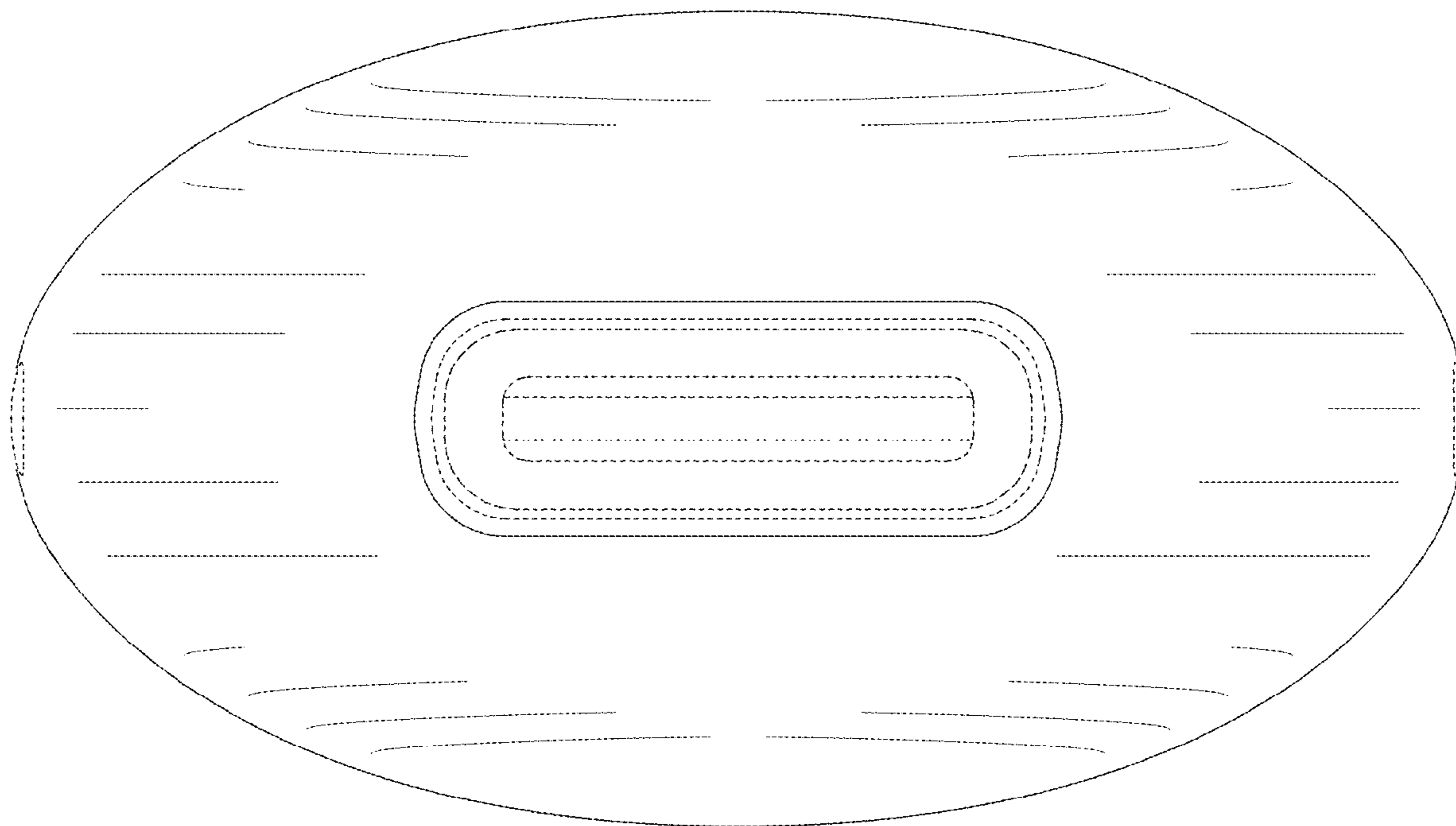


FIG. 24

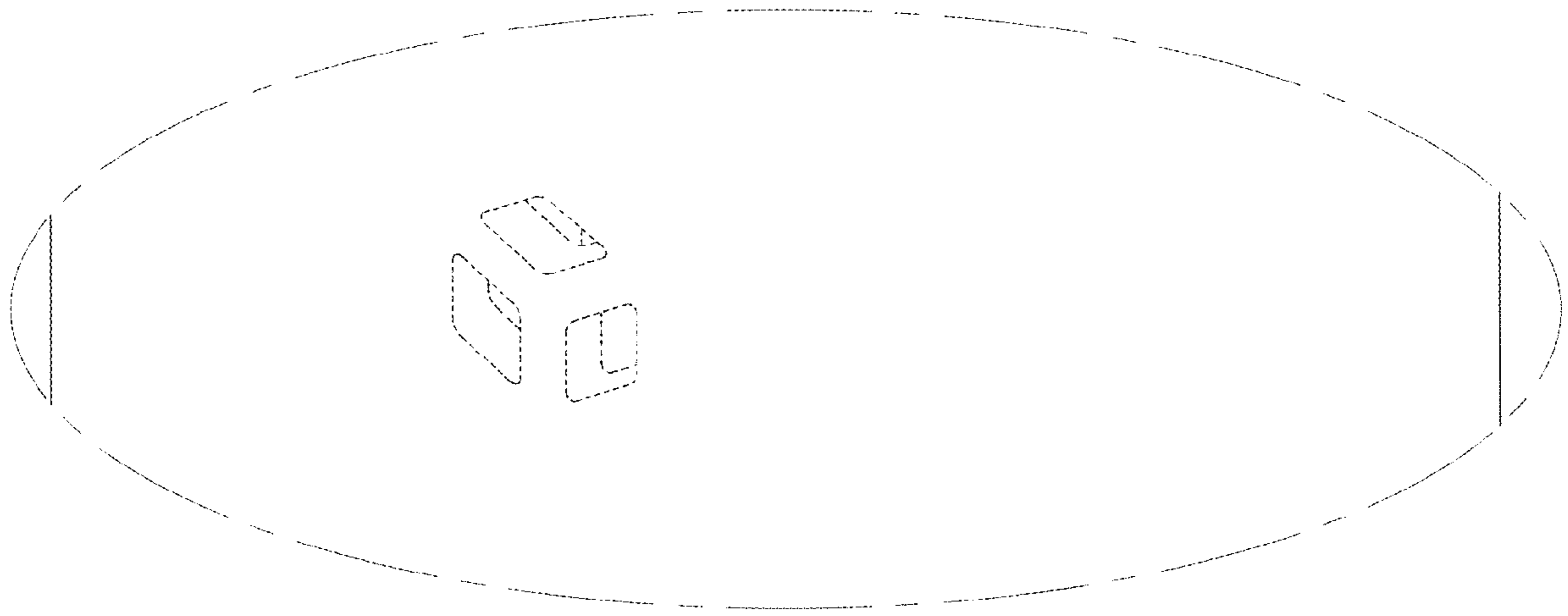


FIG. 25

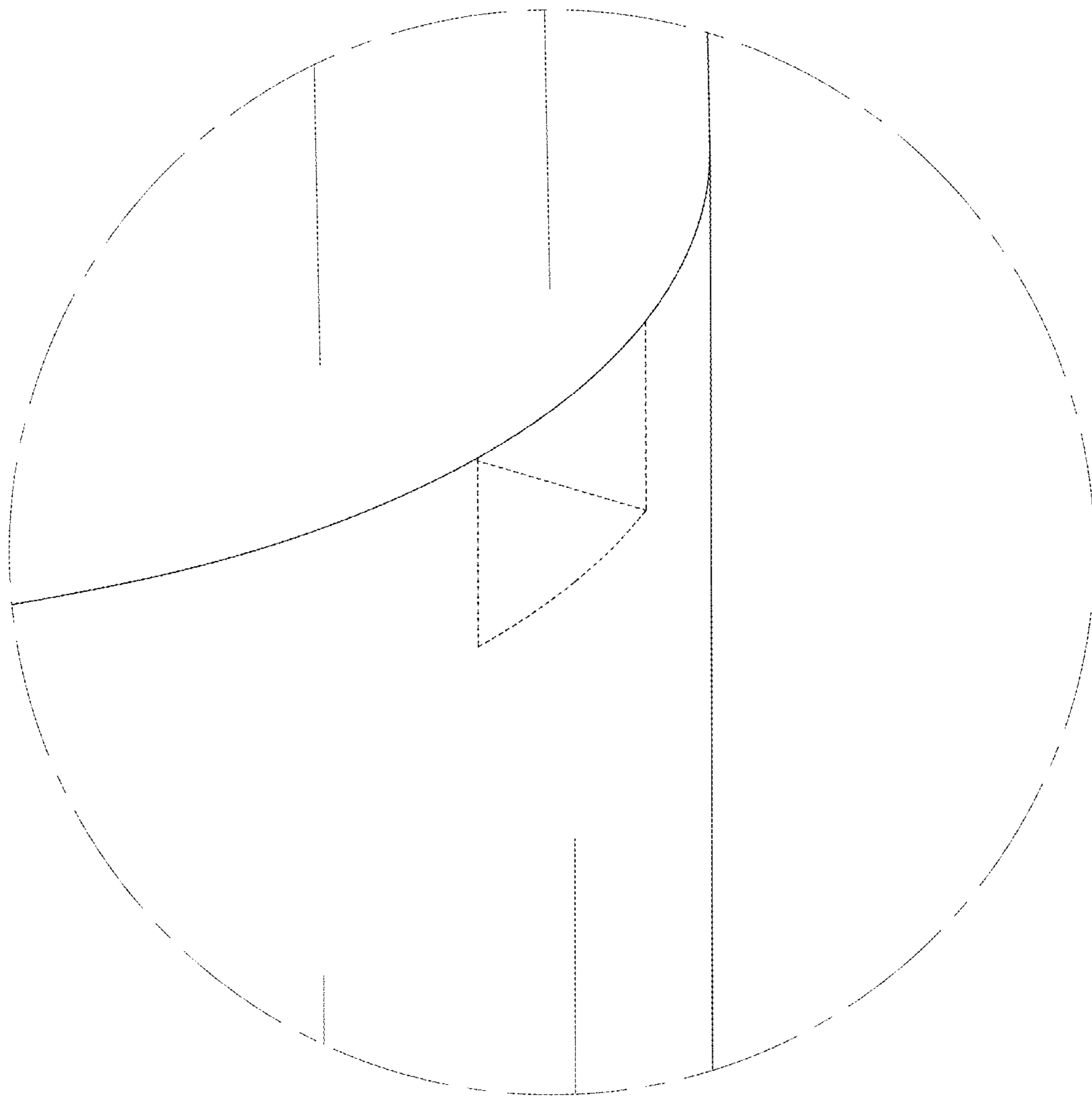


FIG. 26

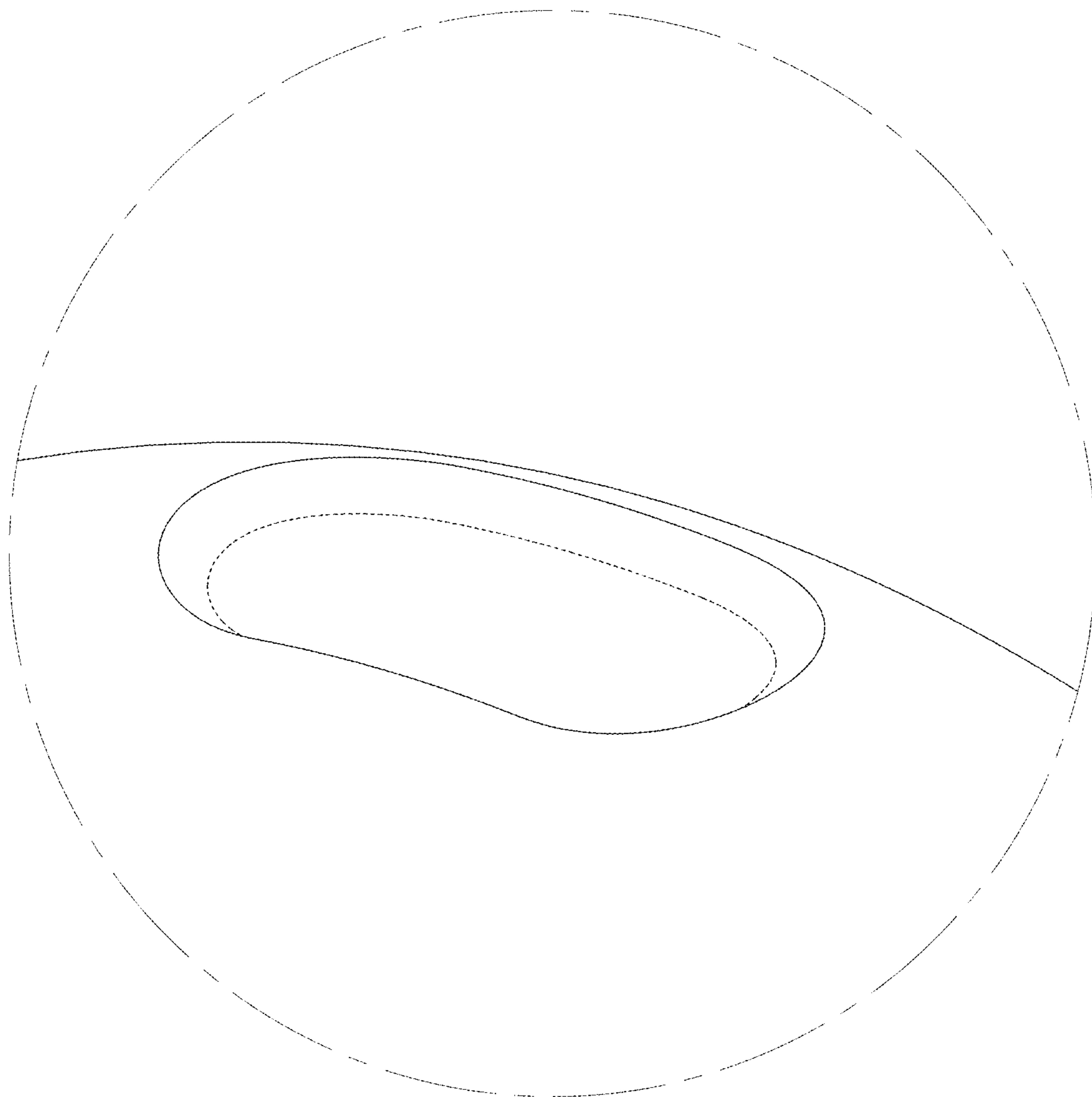


FIG. 27