

US00D965856S

(12) **United States Design Patent** (10) **Patent No.:** **US D965,856 S**
Chelsom et al. (45) **Date of Patent:** **** Oct. 4, 2022**

(54) **LED LIGHT FIXTURE**

(71) Applicant: **Chelsom Limited**, Blackpool (GB)

(72) Inventors: **William Chelsom**, Blackpool (GB);
Robert Chelsom, Blackpool (GB)

(73) Assignee: **Chelsom Limited**, Blackpool (GB)

(**) Term: **15 Years**

(21) Appl. No.: **29/729,141**

(22) Filed: **Mar. 24, 2020**

(51) **LOC (13) Cl.** **26-05**

(52) **U.S. Cl.**
USPC **D26/118**

(58) **Field of Classification Search**
USPC D26/24, 65, 72, 81, 83, 89, 112, 118,
D26/119, 121-124; 362/147, 269, 364
(Continued)

(56) **References Cited**

U.S. PATENT DOCUMENTS

D306,767 S * 3/1990 Ziaylek, Jr. D26/24
D313,084 S * 12/1990 Bramble D26/113

(Continued)

Primary Examiner — Wan Laymon

Assistant Examiner — Clint A Samuel

(74) *Attorney, Agent, or Firm* — Vedder Price P.C.

(57) **CLAIM**

The ornamental design for a LED light fixture, as shown and described.

DESCRIPTION

FIG. 1 is a perspective view of the LED light fixture in a closed position;

FIG. 2 is a perspective view of the LED light fixture of FIG. 1 in a different orientation;

FIG. 3 is a front view of LED light fixture of FIG. 1;

FIG. 4 is a back view of the LED light fixture of FIG. 1;

FIG. 5 is a side view of LED light fixture of FIG. 1;

FIG. 6 is the other side view of LED light fixture of FIG. 1;

FIG. 7 is a top view of LED light fixture of FIG. 1;

FIG. 8 is a bottom view of LED light fixture of FIG. 1;

FIG. 9 is a perspective view of a different embodiment of the LED light fixture in an open configuration;

FIG. 10 is a perspective view of a different embodiment of the LED light fixture of FIG. 9;

FIG. 11 is a front view of the LED light fixture of FIG. 9;

FIG. 12 is a back view of the LED light fixture of FIG. 9;

FIG. 13 is a side view of the LED light fixture of FIG. 9;

FIG. 14 is the other side view of the LED light fixture of FIG. 9;

FIG. 15 is a top view of the LED light fixture of FIG. 9;

FIG. 16 is a bottom view of the LED light fixture of FIG. 9;

FIG. 17 is a perspective view of a different embodiment of the LED light fixture in an open configuration;

FIG. 18 is a perspective view of a different embodiment the LED light fixture of FIG. 17;

FIG. 19 is a front view of the LED light fixture of FIG. 17;

FIG. 20 is a back view of the LED light fixture of FIG. 17;

FIG. 21 is a side view of the LED light fixture of FIG. 17;

FIG. 22 is the other side view of the LED light fixture of FIG. 17;

FIG. 23 is a top view of the LED light fixture of FIG. 17;

FIG. 24 is a bottom view of the LED light fixture of FIG. 17;

FIG. 25 is a perspective view of a different embodiment of the LED light fixture in an open configuration;

FIG. 26 is a perspective view of a different embodiment of the LED light fixture of FIG. 25;

FIG. 27 is a front view of the LED light fixture of FIG. 25;

FIG. 28 is a back view of the LED light fixture of FIG. 25;

FIG. 29 is a side view of the LED light fixture of FIG. 25;

FIG. 30 is the other side view of the LED light fixture of FIG. 25;

FIG. 31 is a top view of the LED light fixture of FIG. 25;

FIG. 32 is a bottom view of the LED light fixture of FIG. 25;

FIG. 33 is a perspective view of a different embodiment of the LED light fixture in an open configuration;

FIG. 34 is a perspective view of a different embodiment of the LED light fixture of FIG. 33;

FIG. 35 is a front view of the LED light fixture of FIG. 33;

FIG. 36 is a back view of the LED light fixture of FIG. 33;

(Continued)

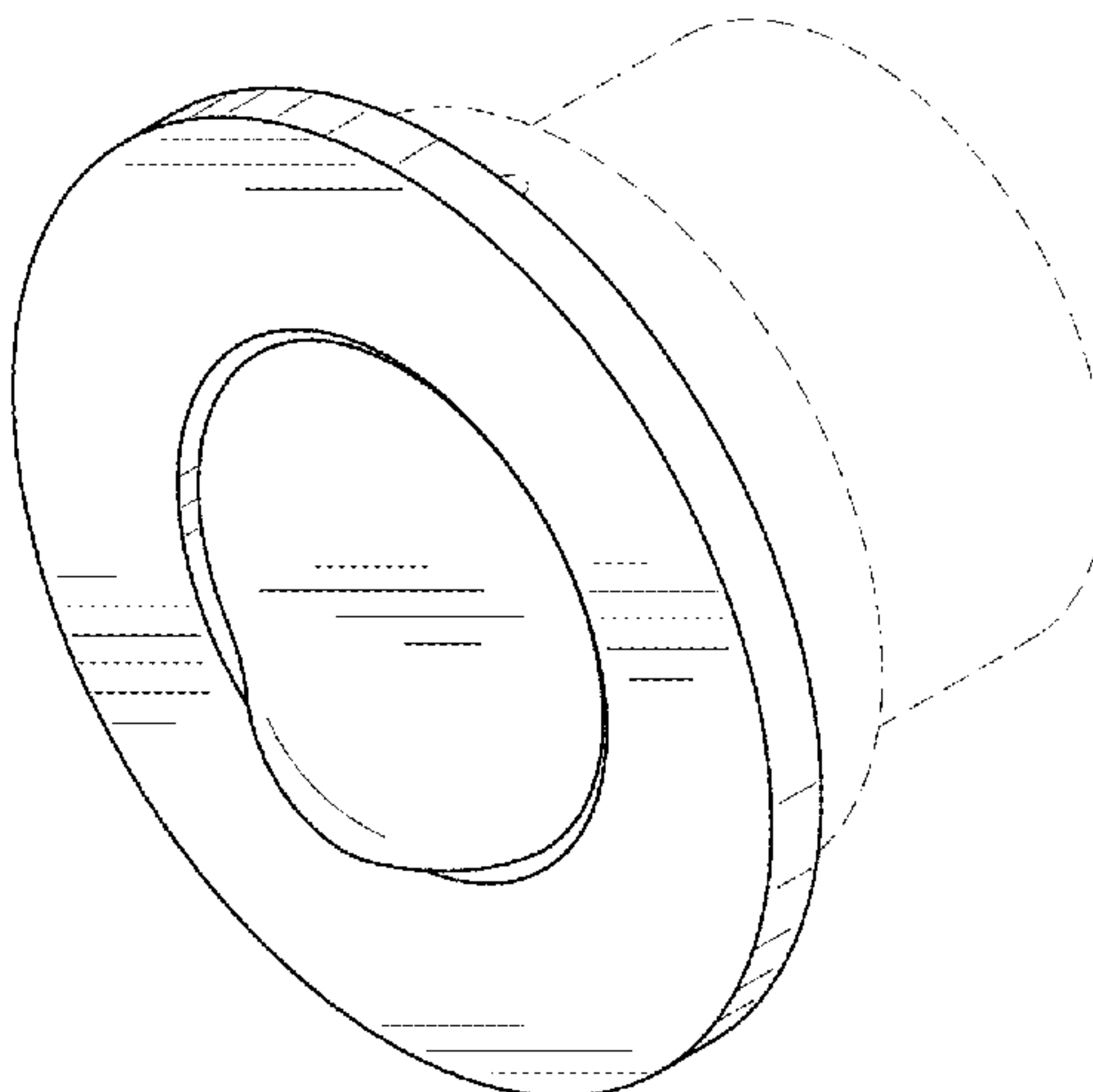


FIG. 37 is a side view of the LED light fixture of FIG. 33;
 FIG. 38 is the other side view of the LED light fixture of
 FIG. 33;
 FIG. 39 is a top view of the LED light fixture of FIG. 33;
 and,
 FIG. 40 is a bottom view of the LED light fixture of FIG. 33.
 The broken lines shown in drawings are included for the
 purpose of illustrating unclaimed portions of the LED light
 fixture, and form no part of the claimed design.

1 Claim, 40 Drawing Sheets

(58) **Field of Classification Search**

CPC F21S 8/00; F21S 8/02; F21S 8/04; F21S
 8/024; F21S 8/026; F21S 8/033; F21S
 8/005; F21V 7/00; F21V 7/005; F21V
 21/04; F21V 15/01

See application file for complete search history.

(56)

References Cited

U.S. PATENT DOCUMENTS

D315,417	S *	3/1991	Ziaylek, Jr.	D26/24
D394,121	S *	5/1998	Seid	D26/28
7,311,422	B1 *	12/2007	Chen	F21S 8/02 362/269
7,600,899	B2 *	10/2009	Chen	F21V 21/30 362/269
D625,881	S *	10/2010	Chen	D26/124
D645,191	S *	9/2011	Krause	D26/72
D705,481	S *	5/2014	Zhang	D26/118
D804,083	S *	11/2017	Lentine	D26/118
D862,779	S *	10/2019	Anderson	D26/118
D903,922	S *	12/2020	Arsenault	D26/71
D904,670	S *	12/2020	Verdi	D26/118
D907,839	S *	1/2021	Kujawa	D26/118
2021/0025570	A1 *	1/2021	Feit	F21K 9/237

* cited by examiner

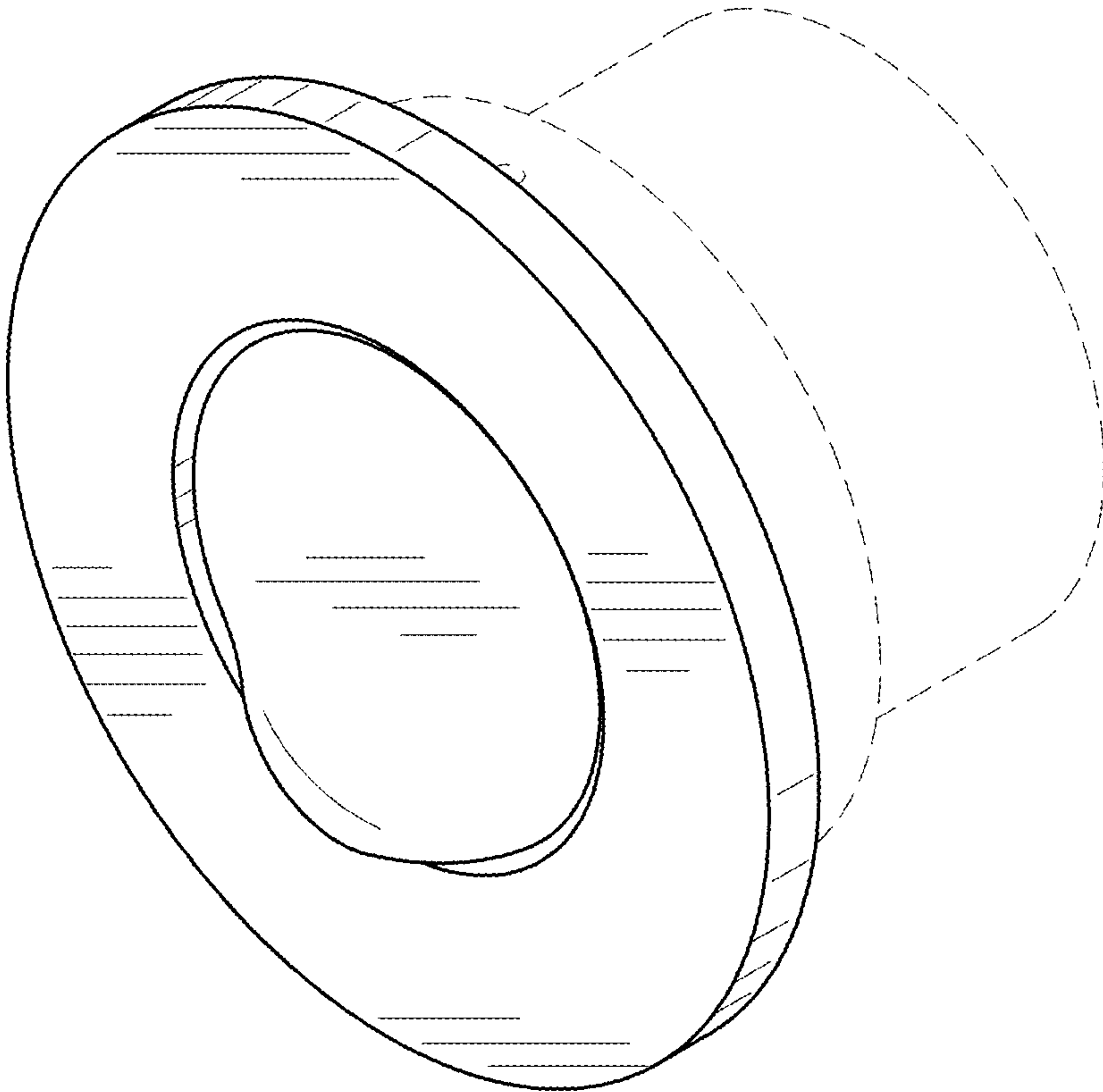


FIG. 1

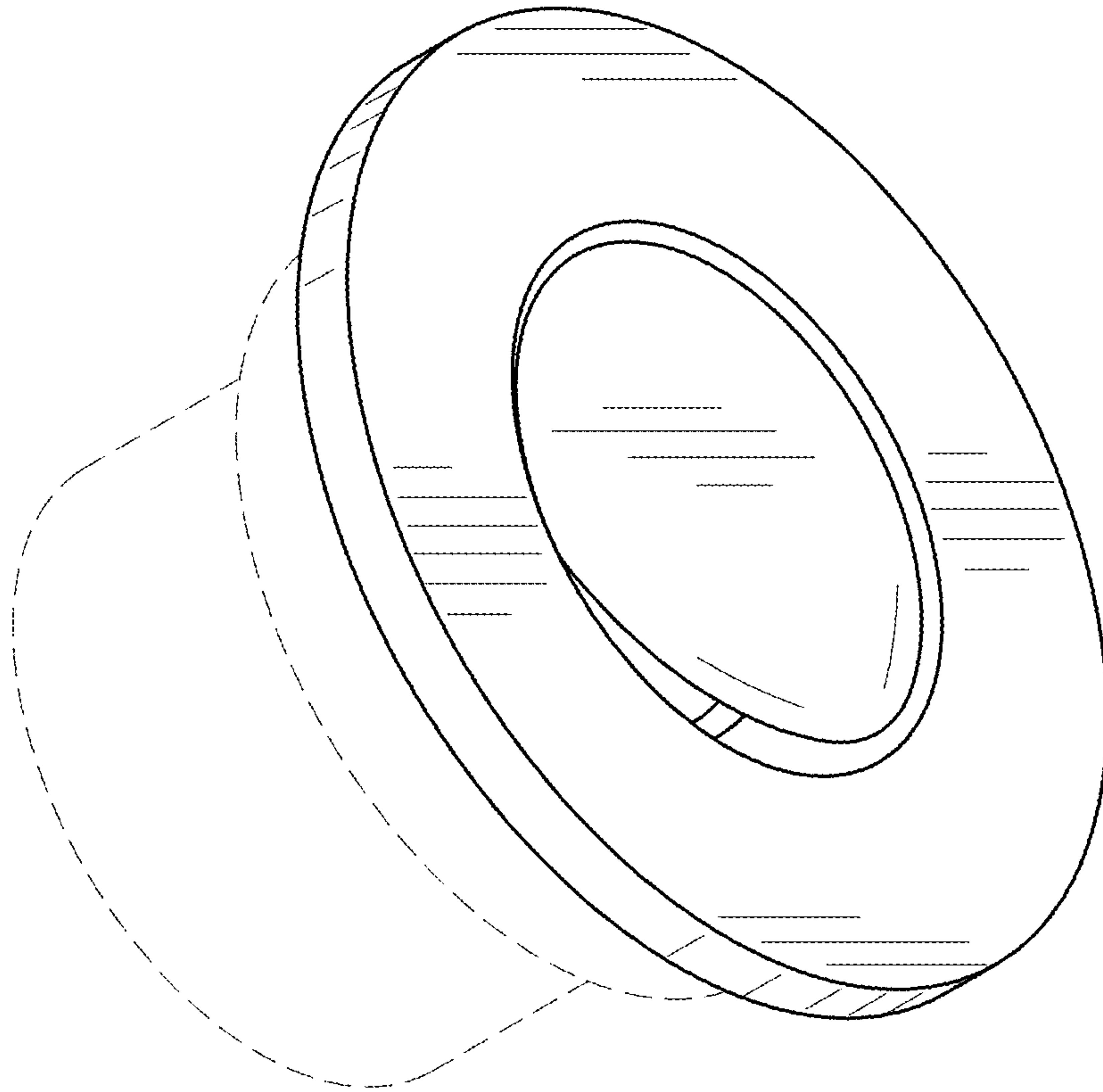


FIG. 2

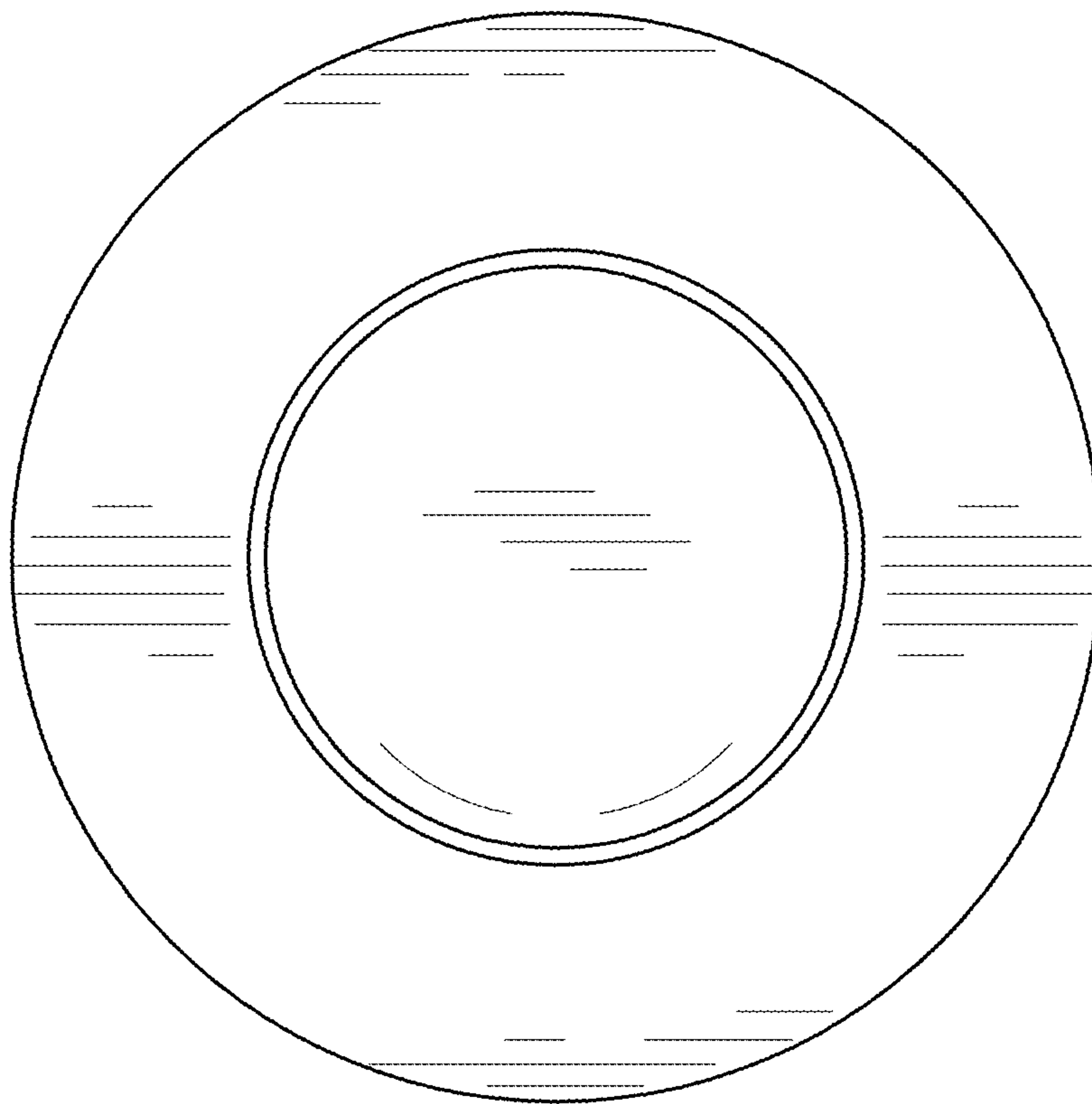


FIG. 3

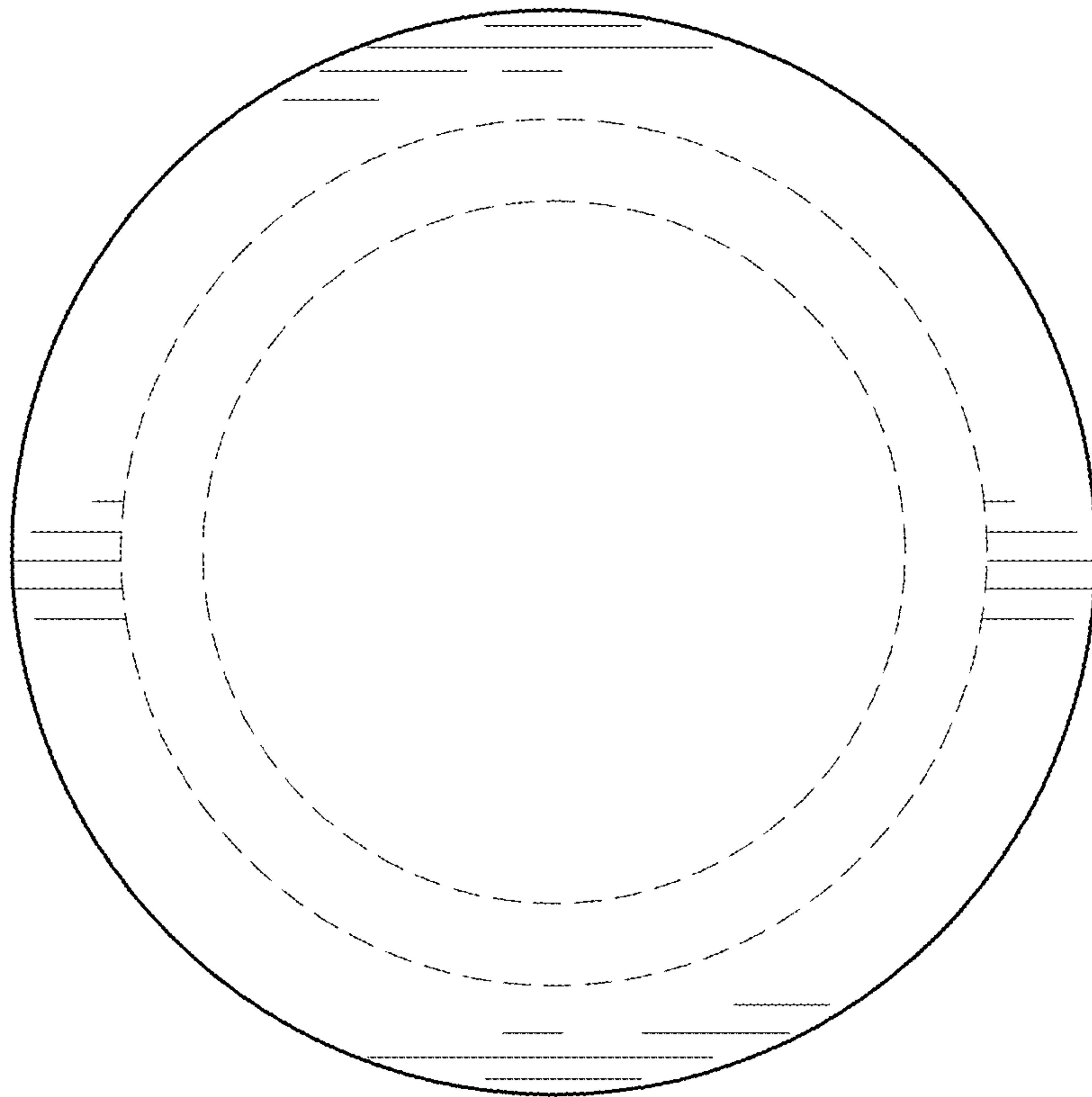


FIG. 4

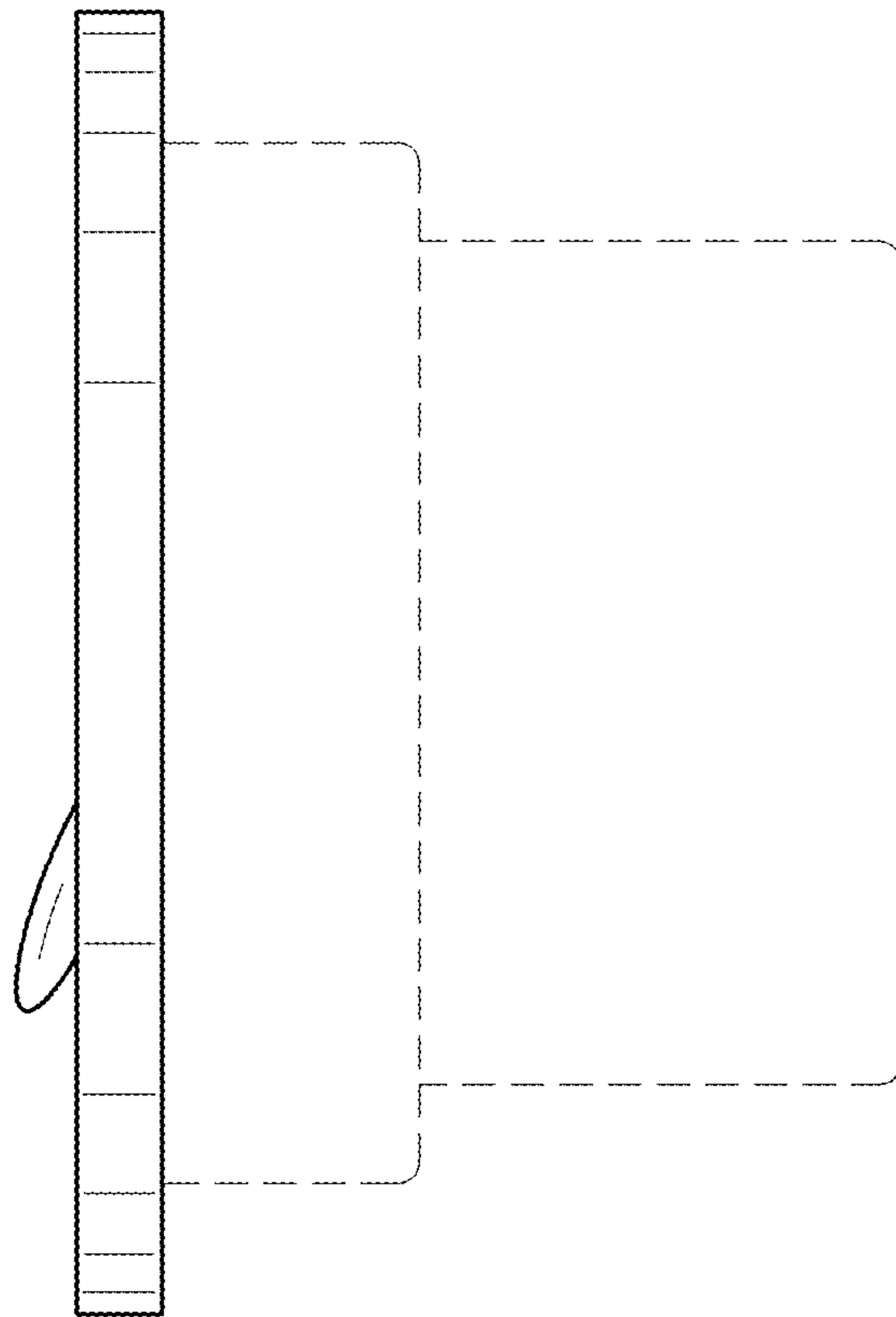


FIG. 5

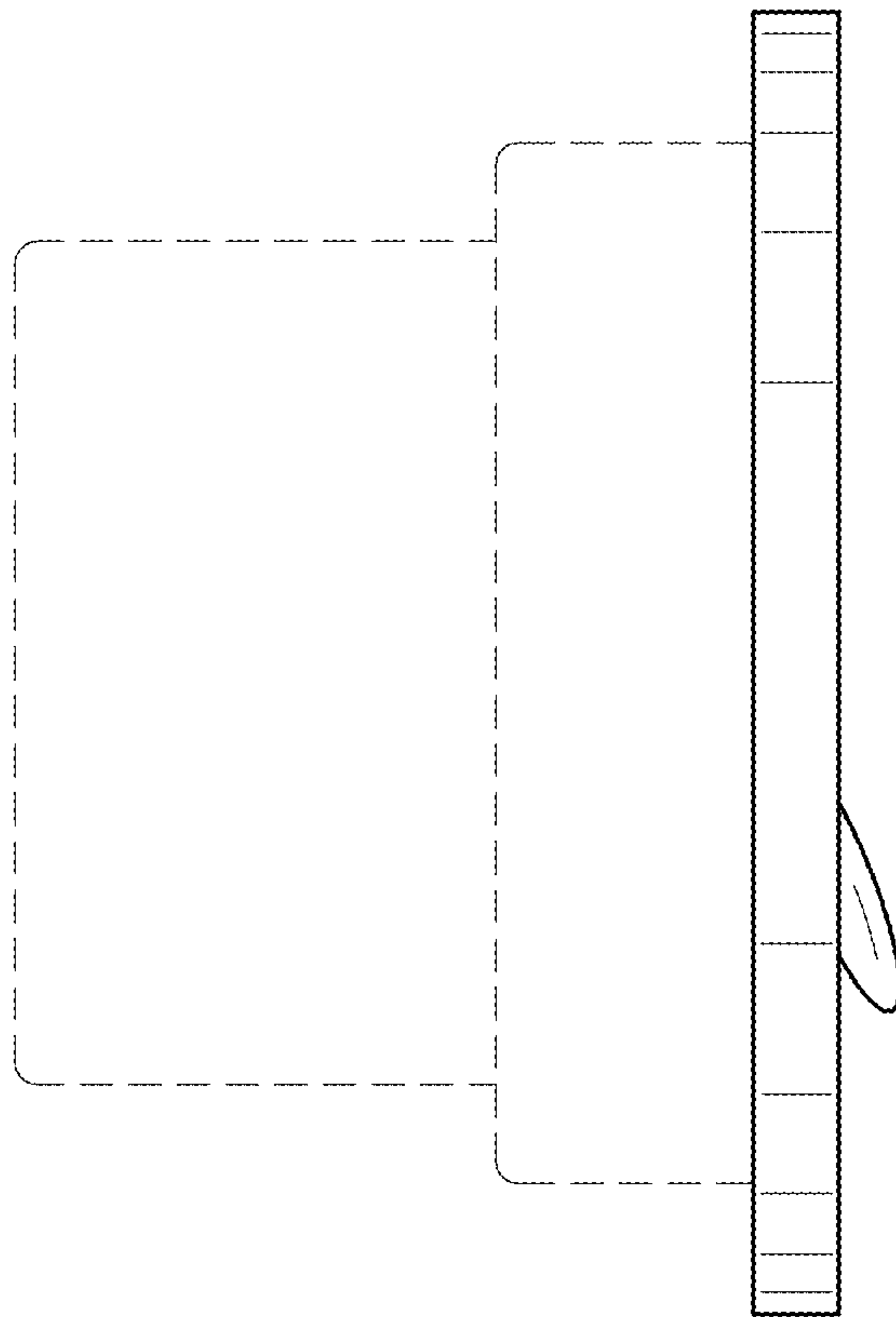


FIG. 6

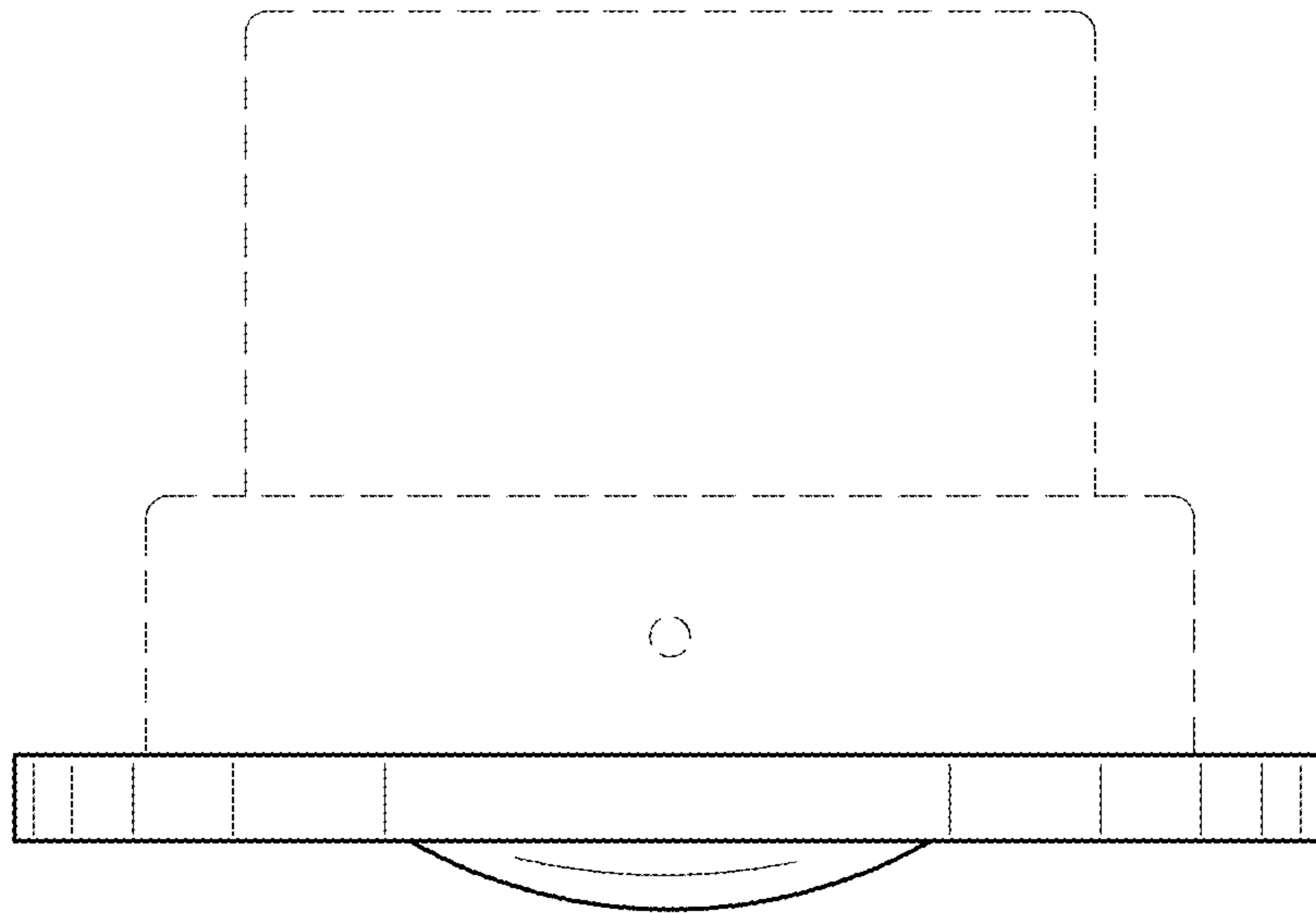


FIG. 7

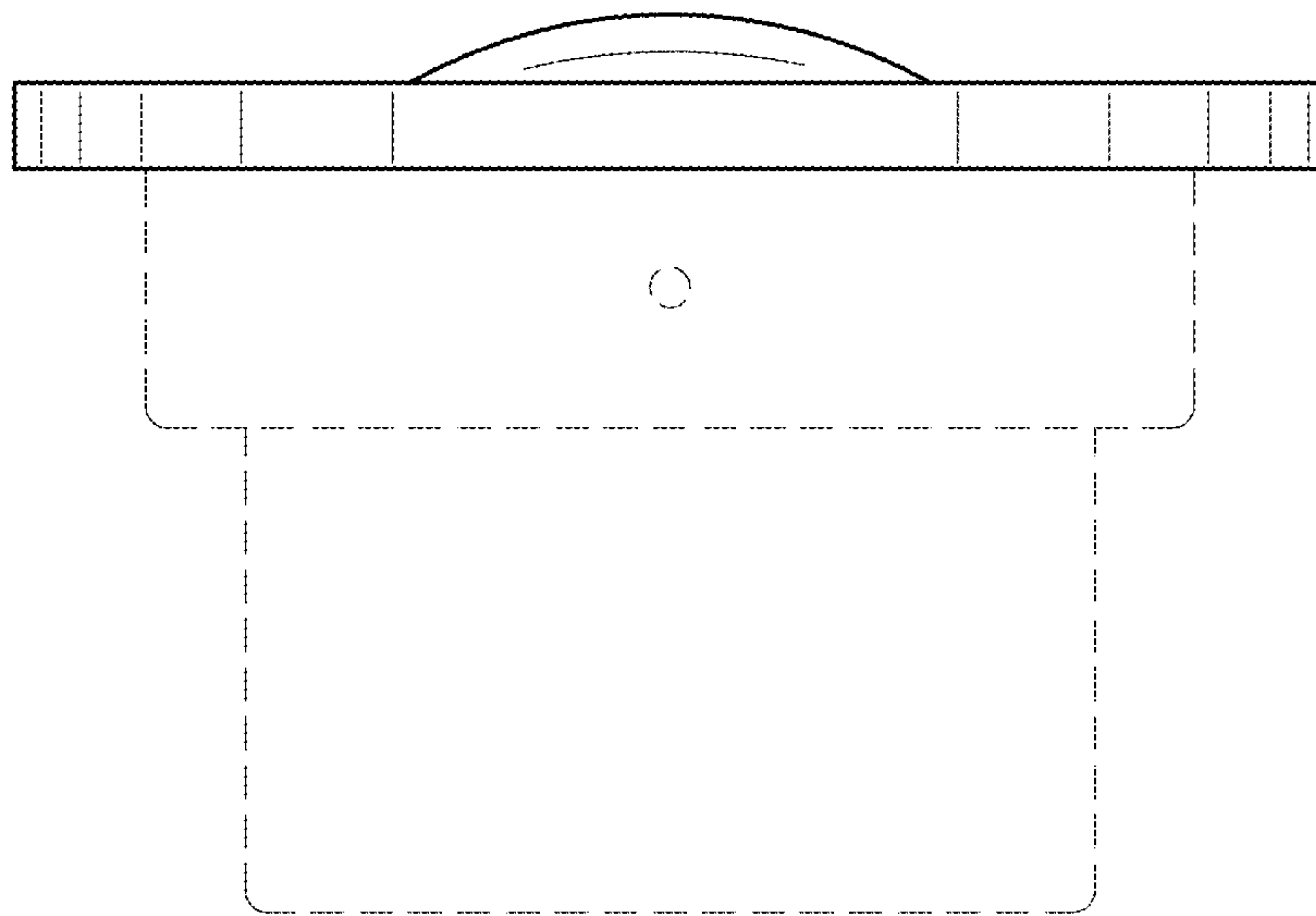


FIG. 8

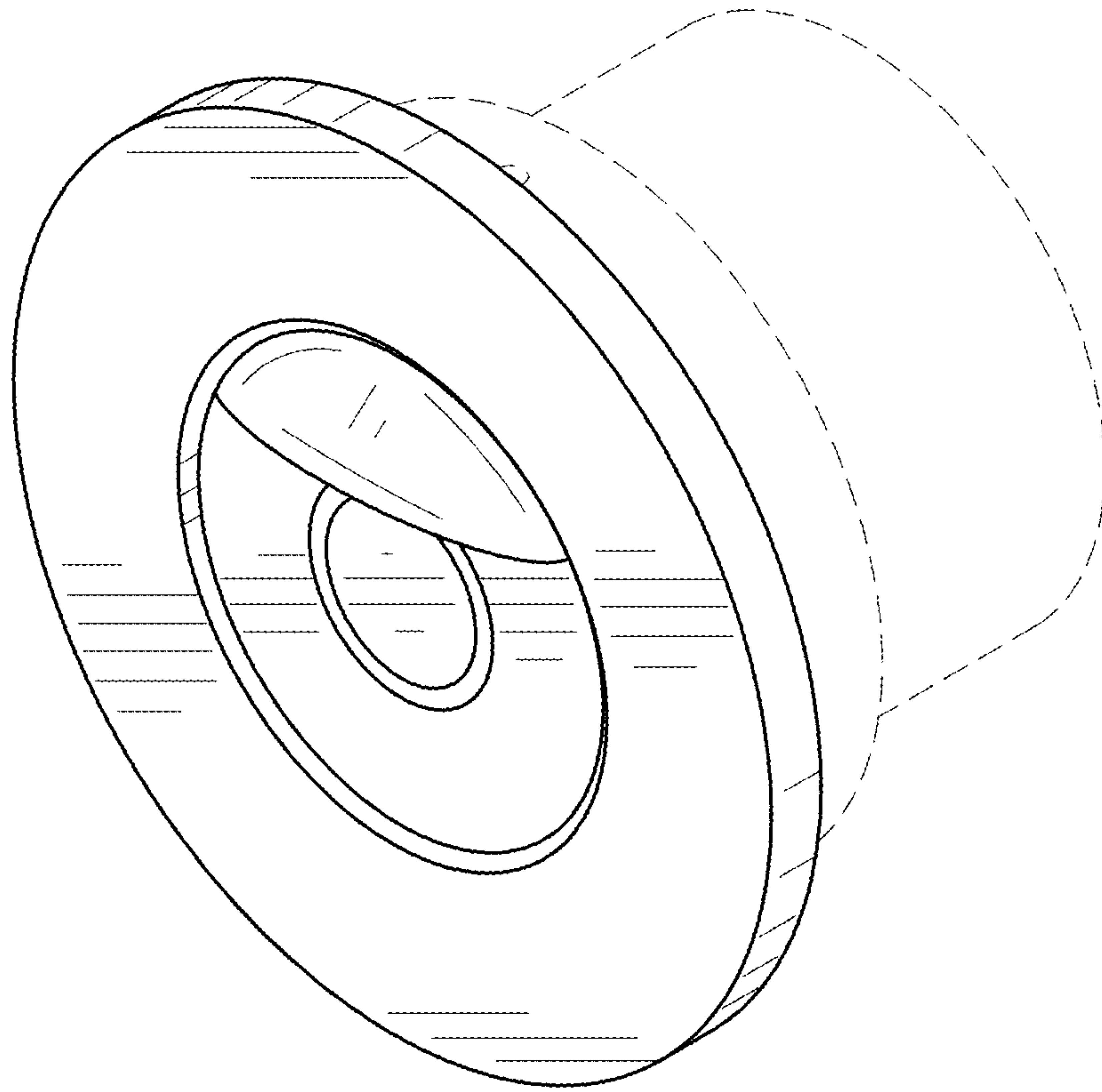


FIG. 9

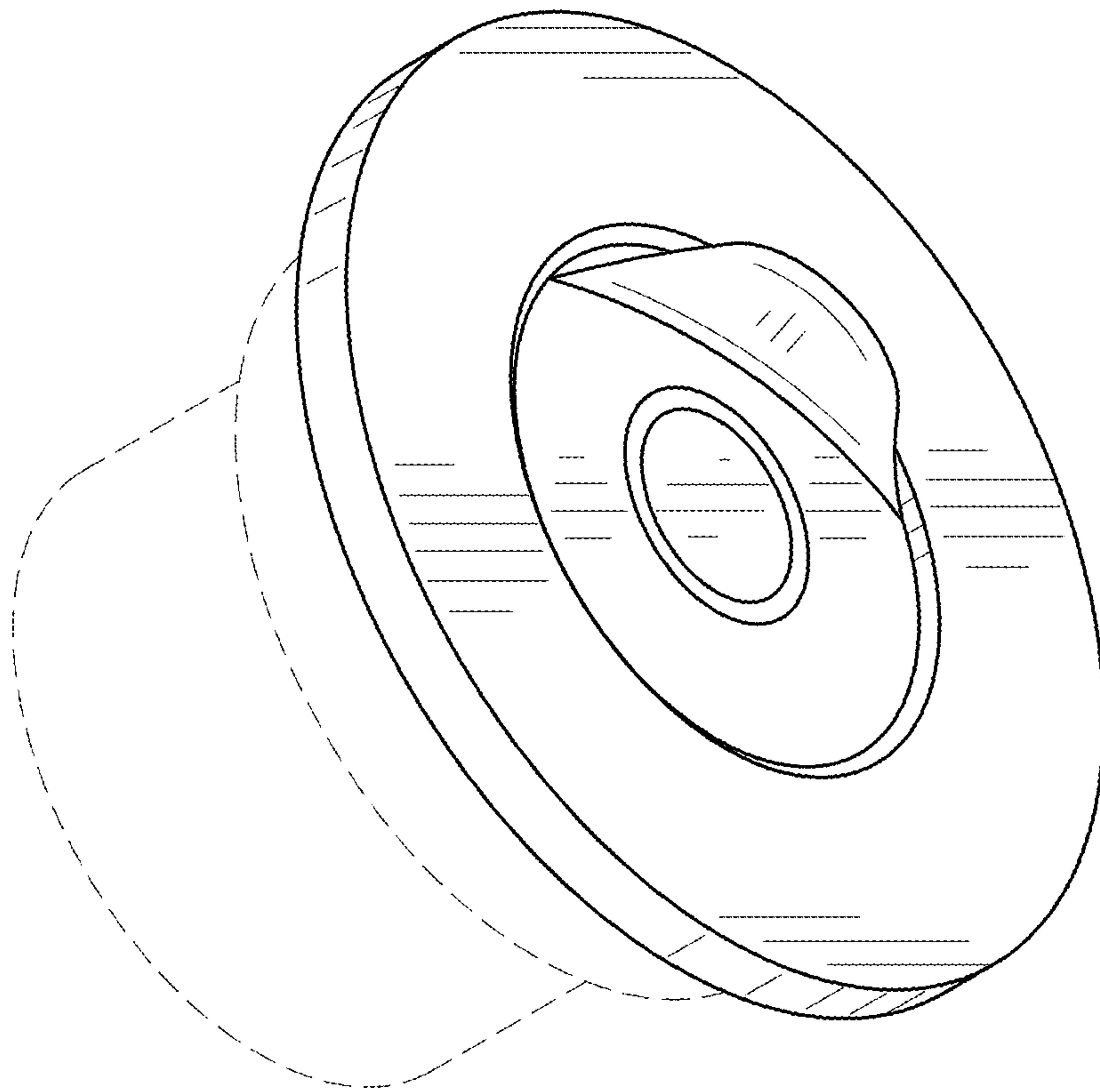


FIG. 10

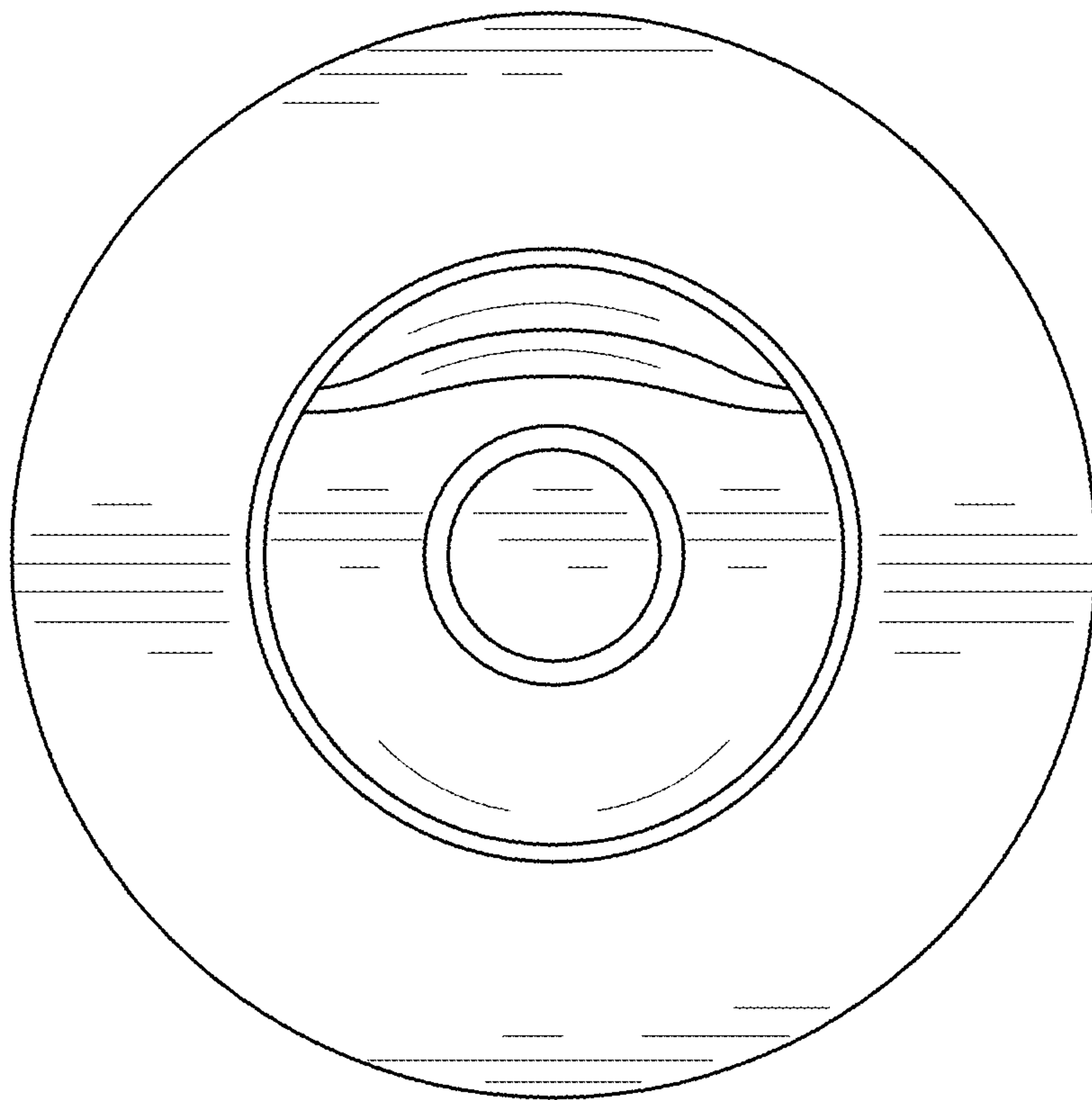


FIG. 11

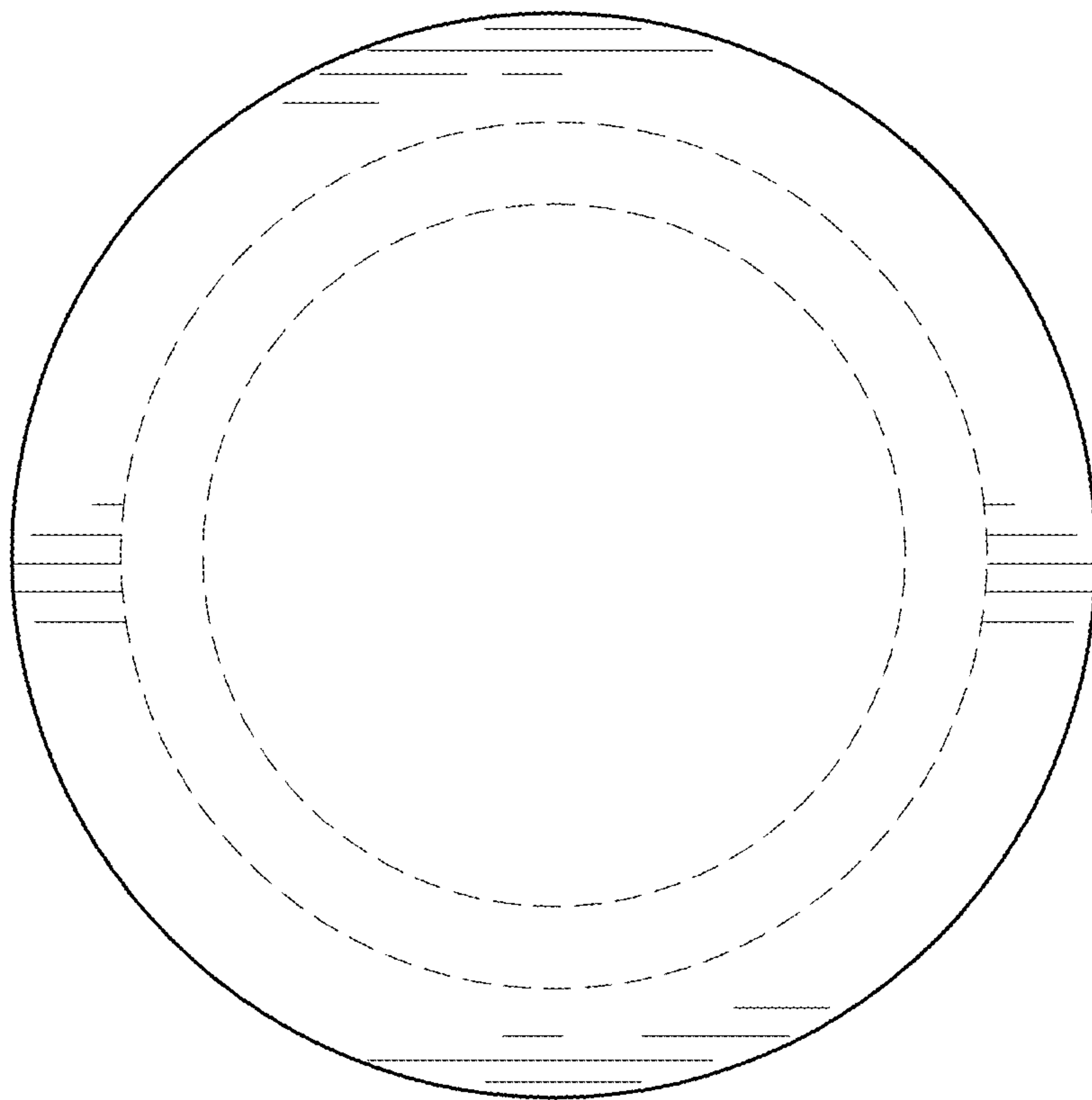


FIG. 12

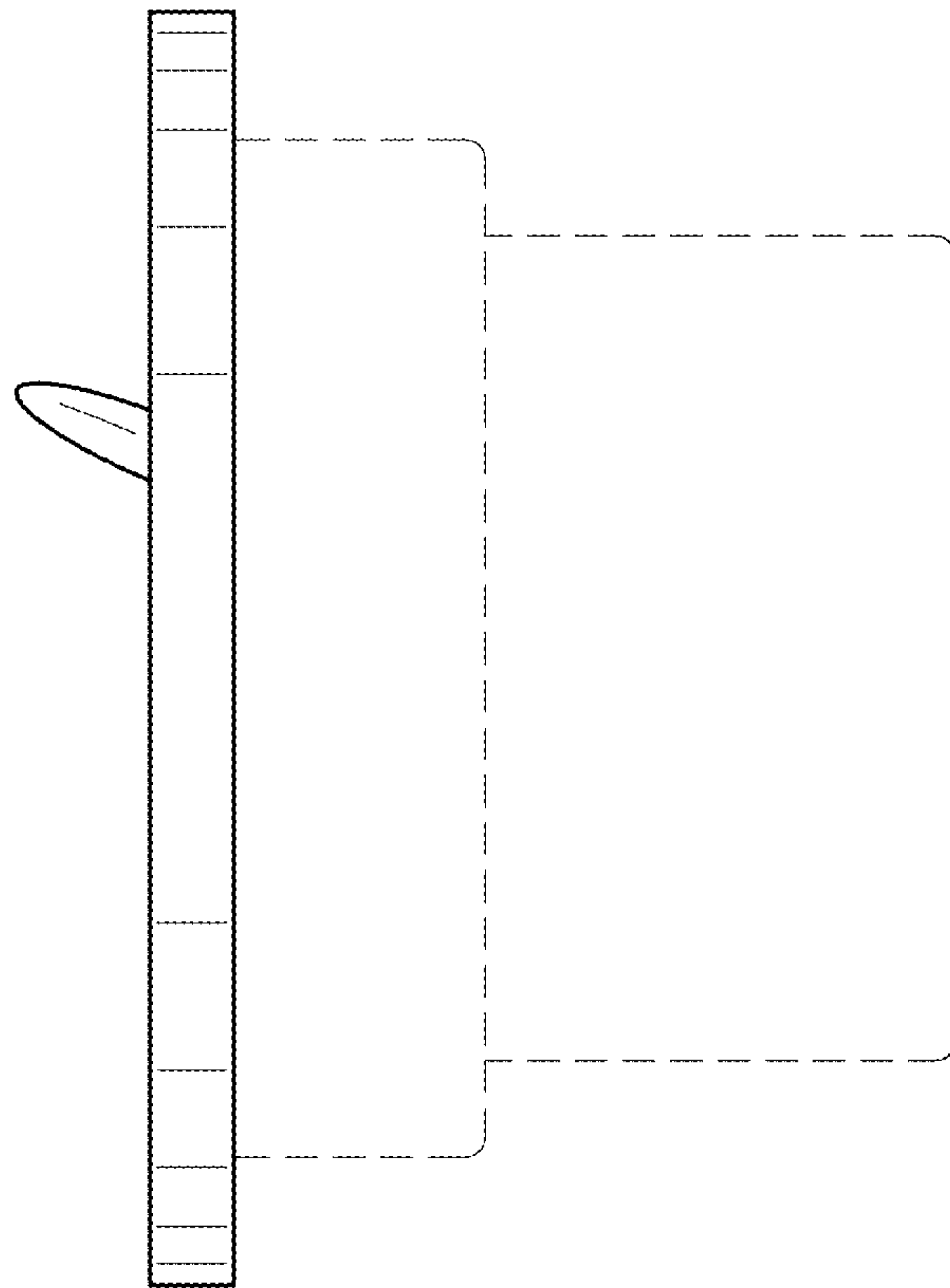


FIG. 13

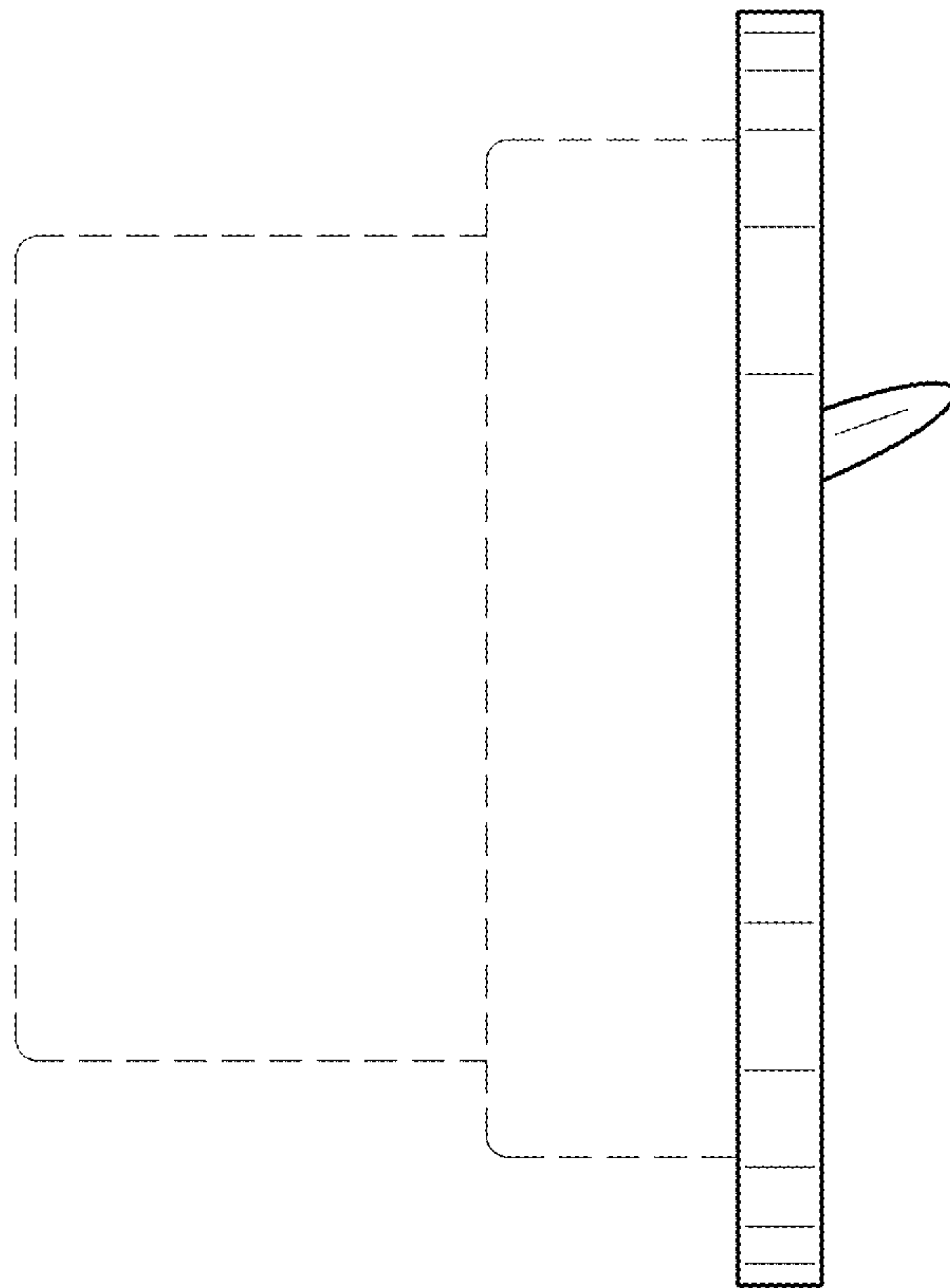


FIG. 14

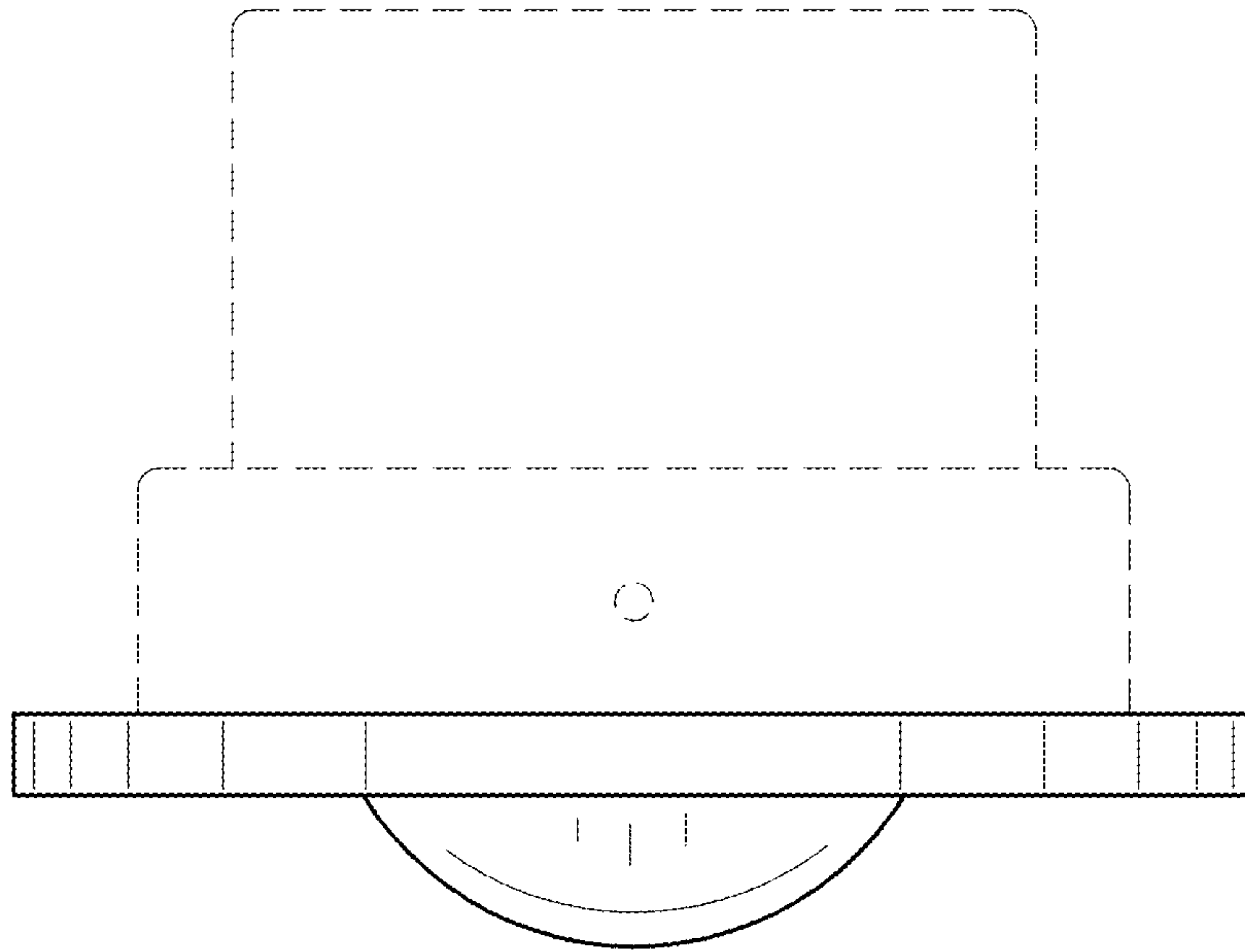


FIG. 15

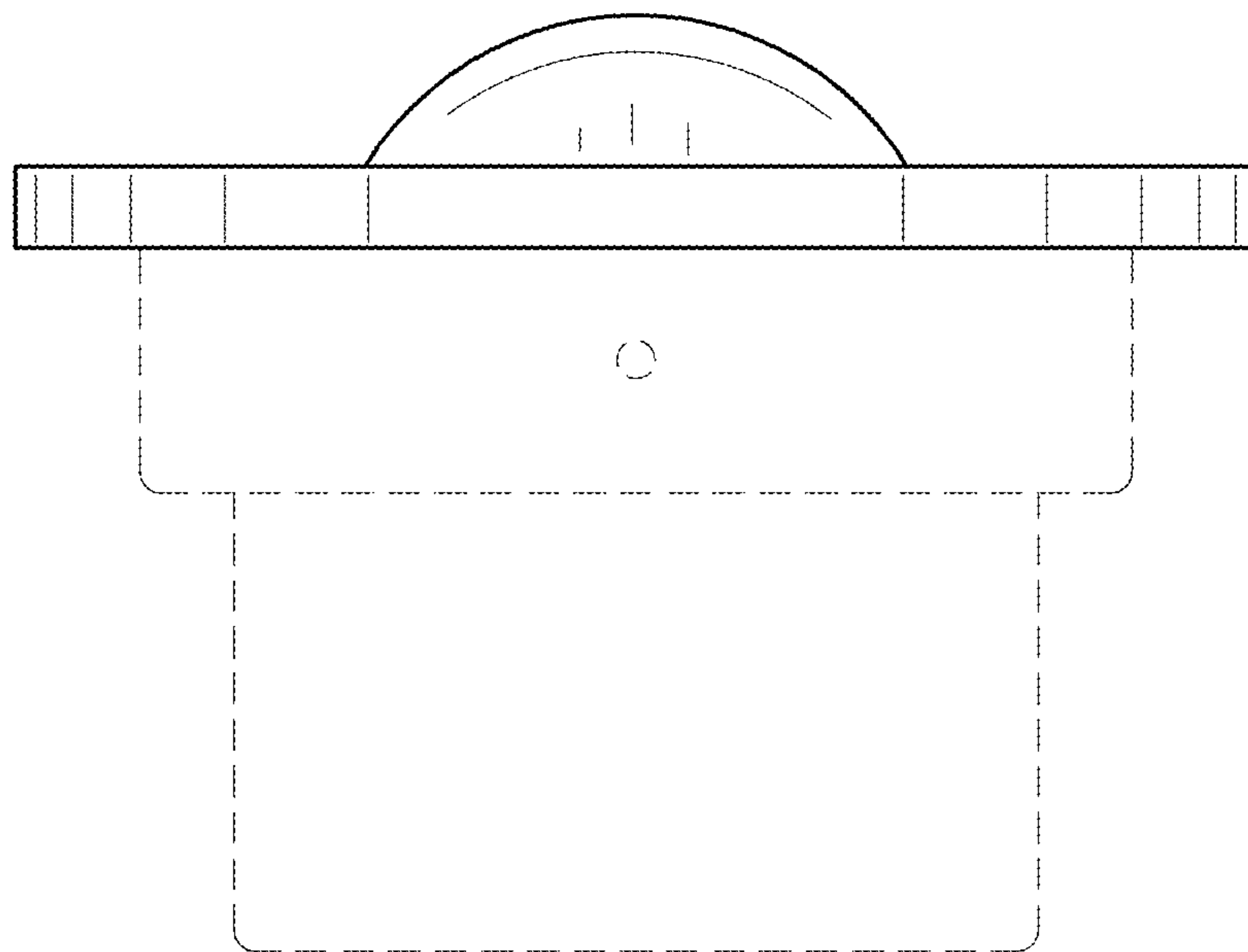


FIG. 16

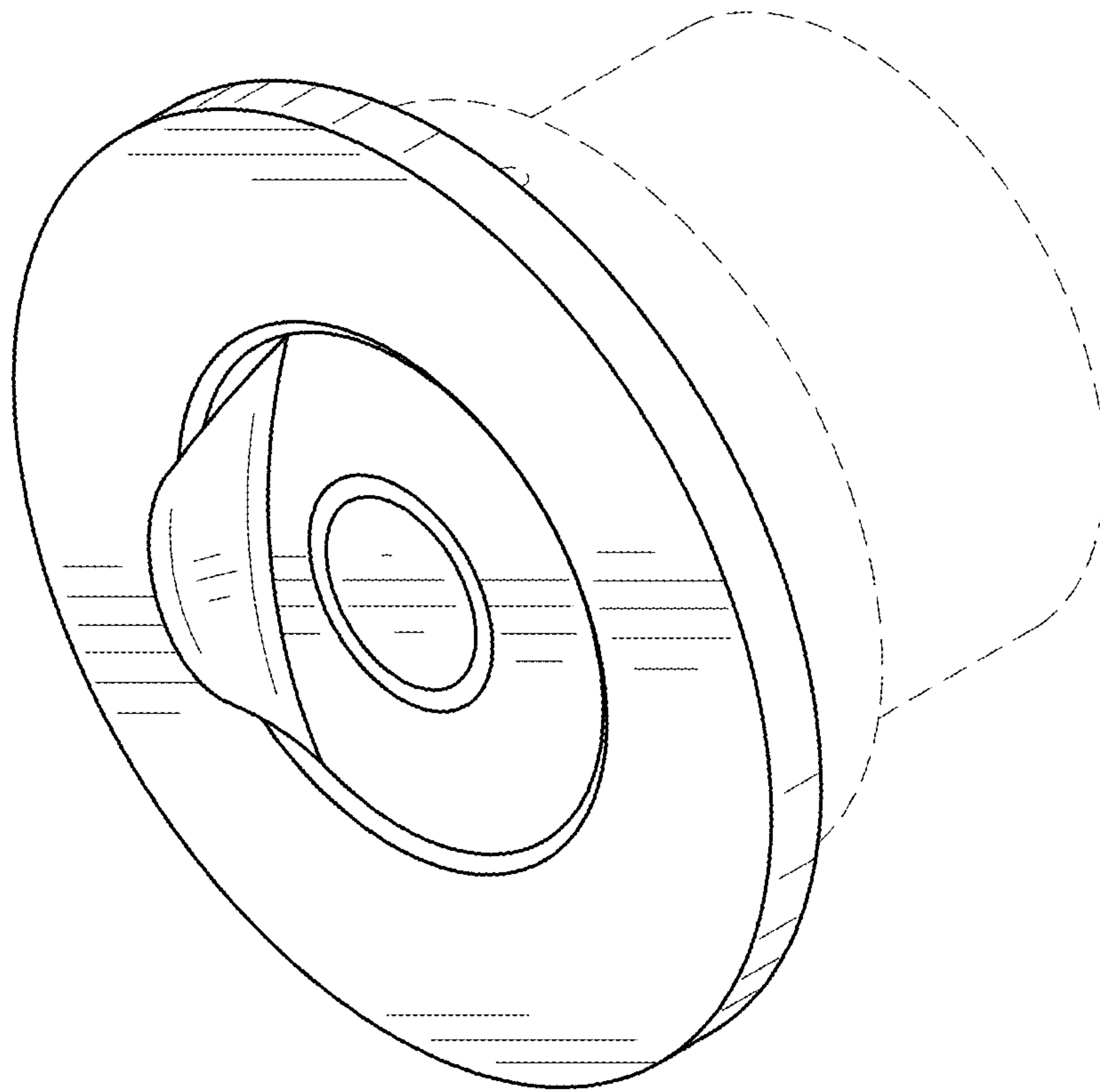


FIG. 17

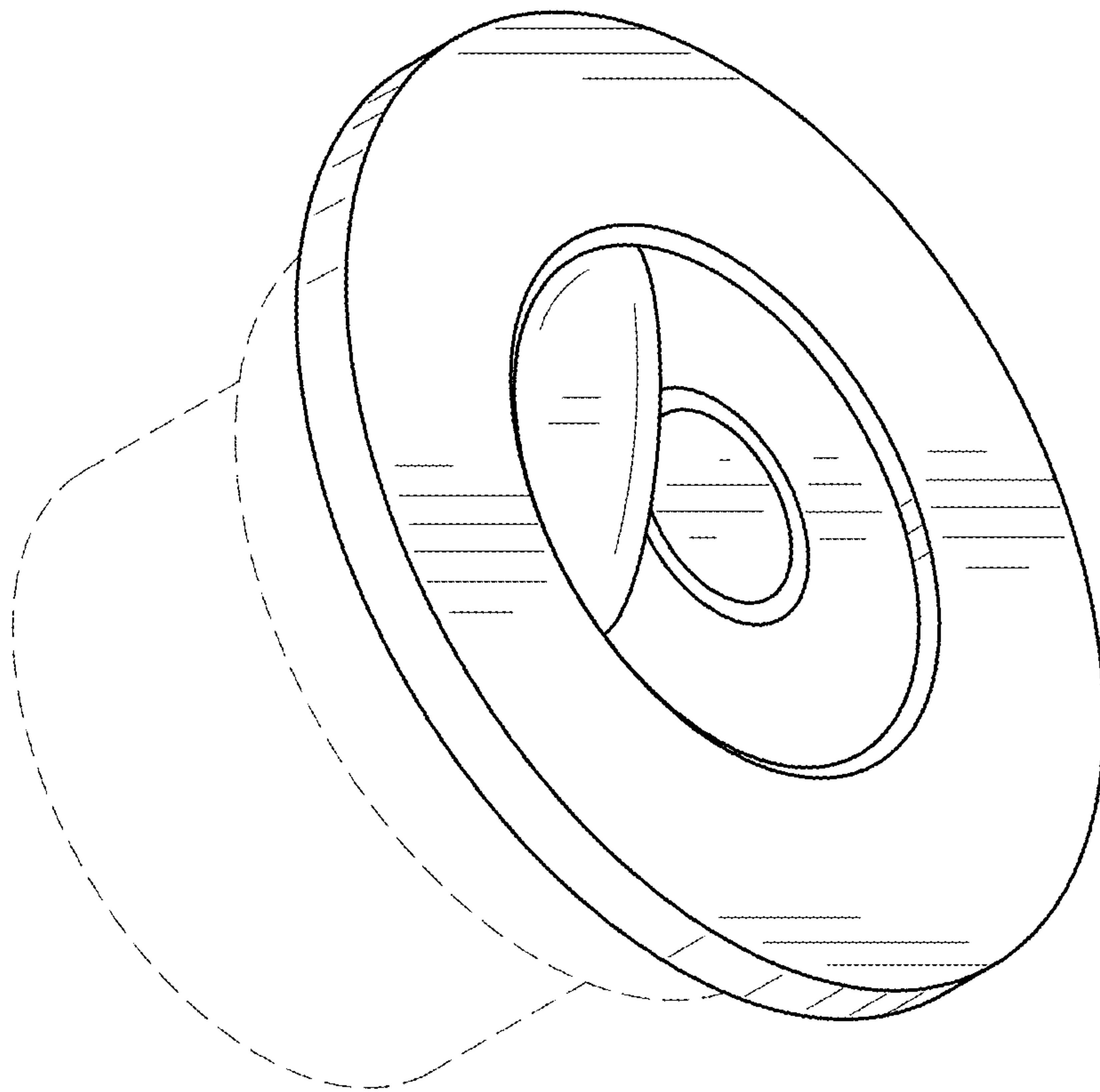


FIG. 18

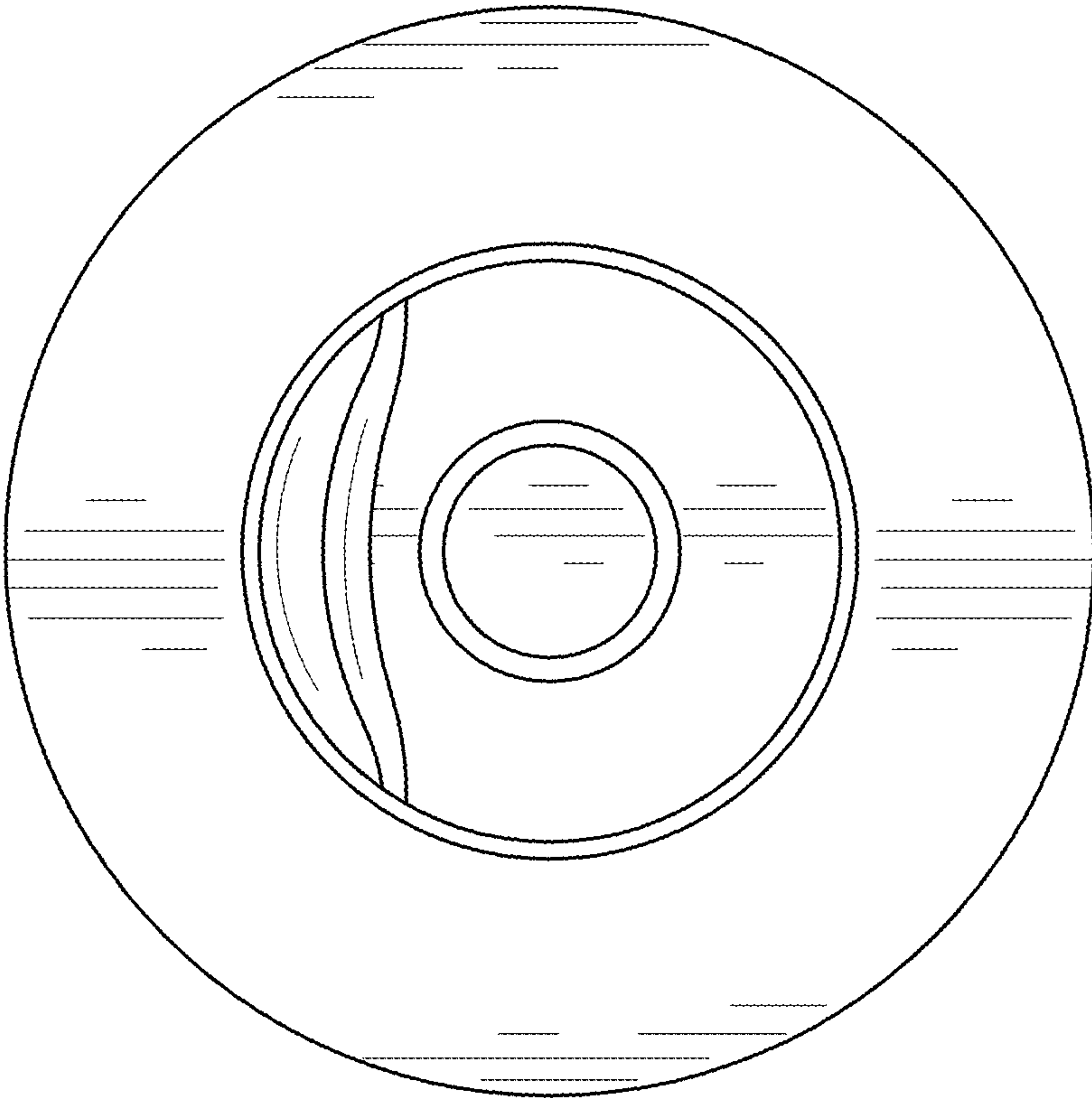


FIG. 19

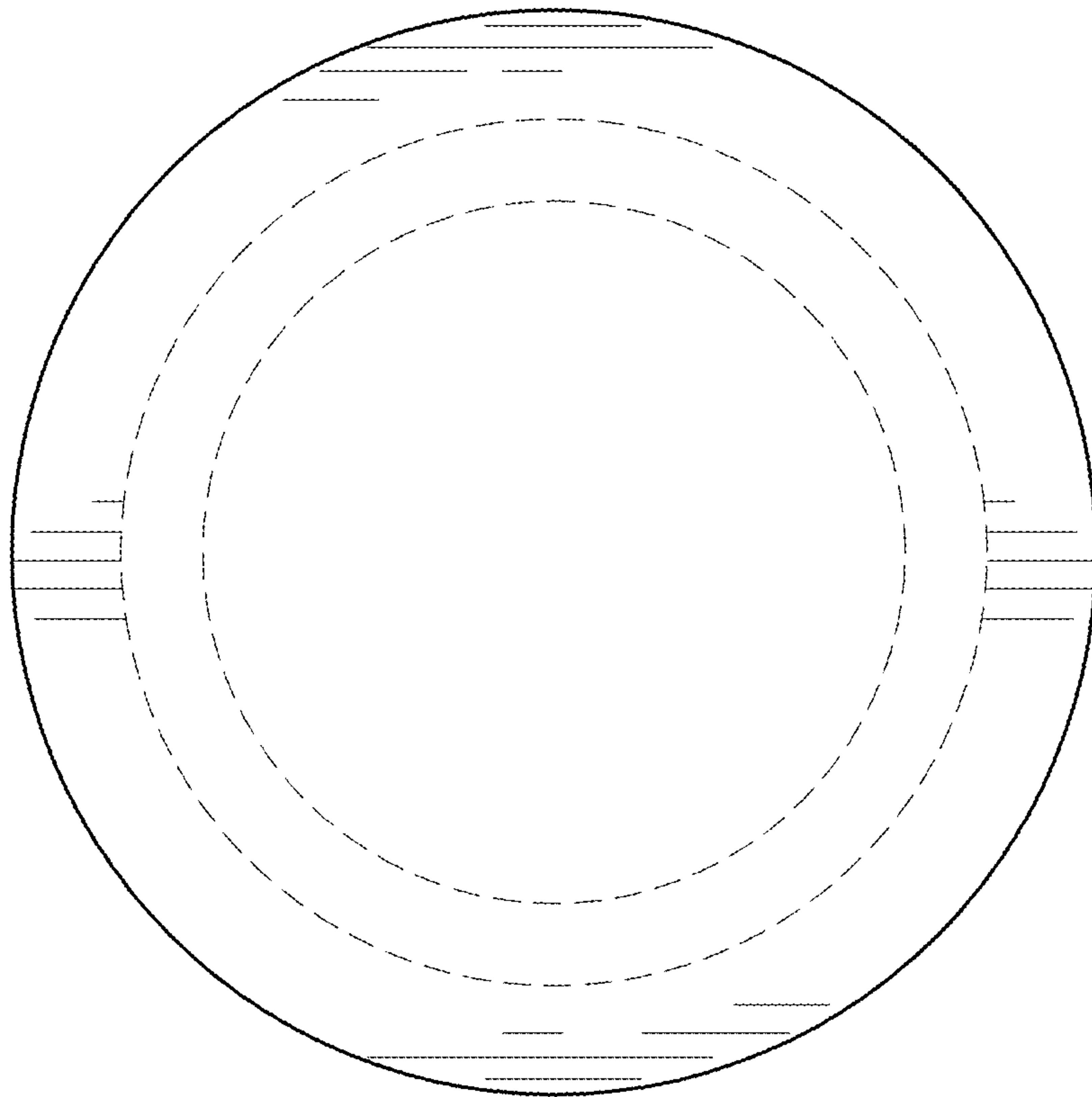


FIG. 20

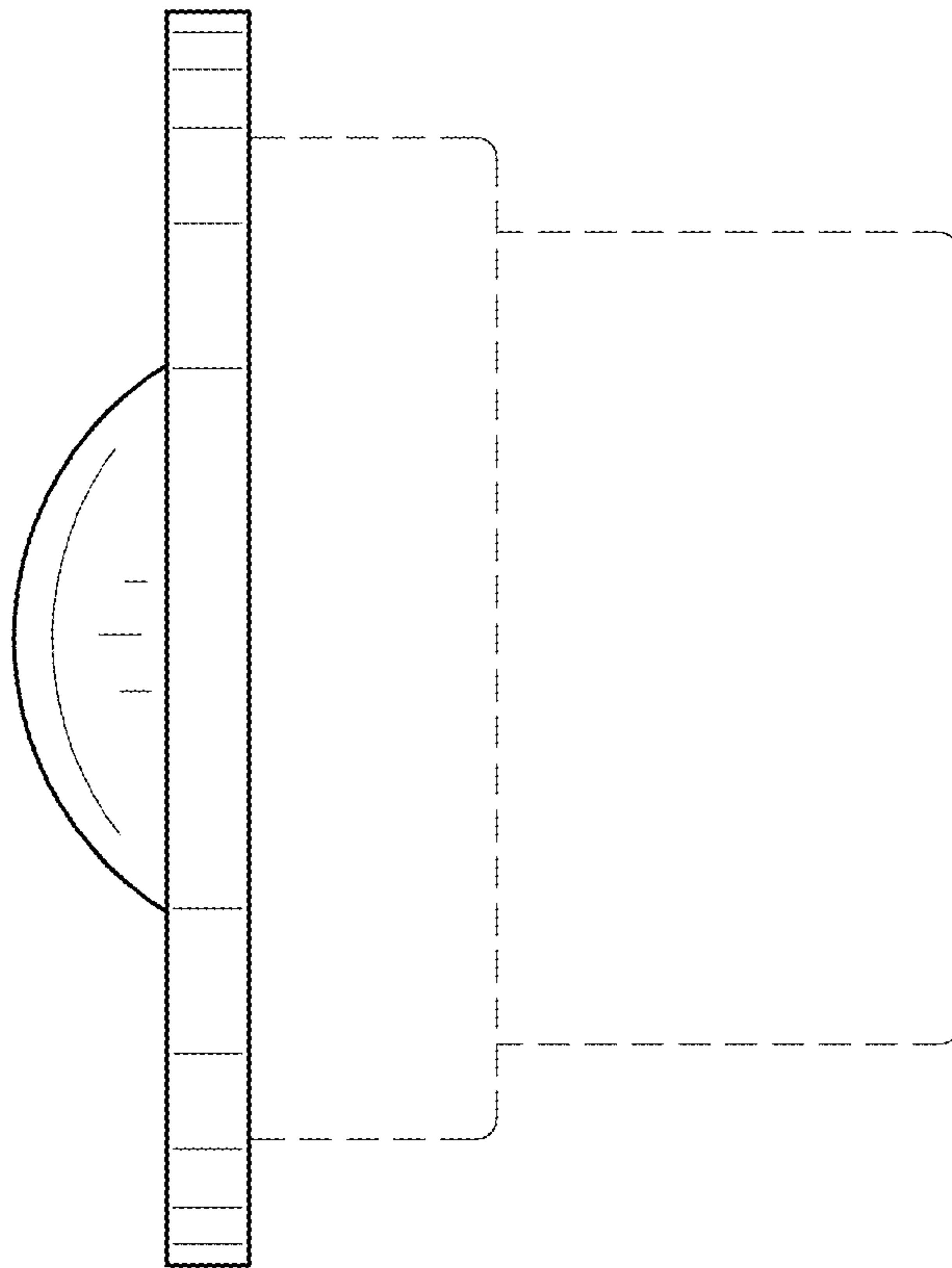


FIG. 21

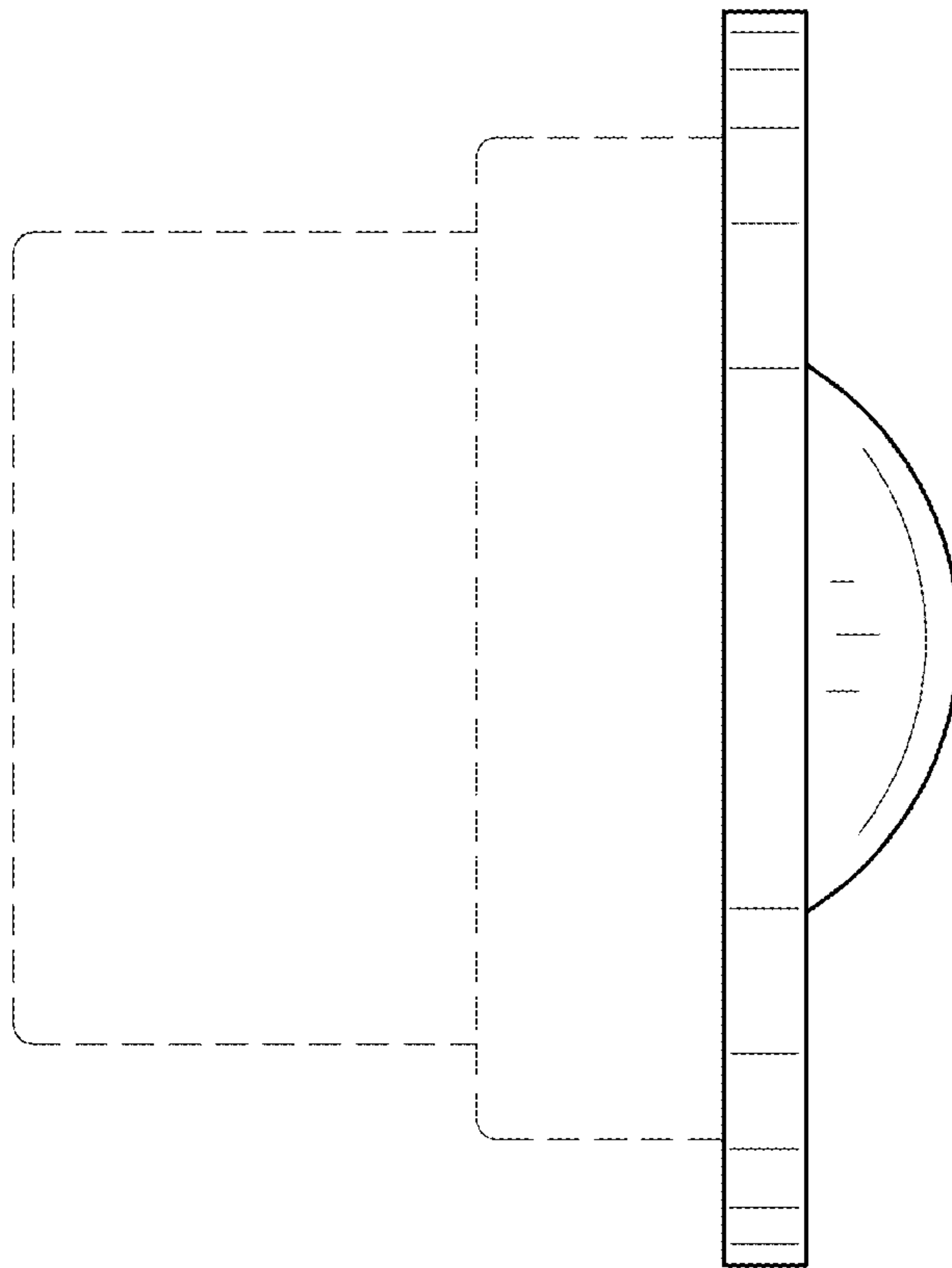


FIG. 22

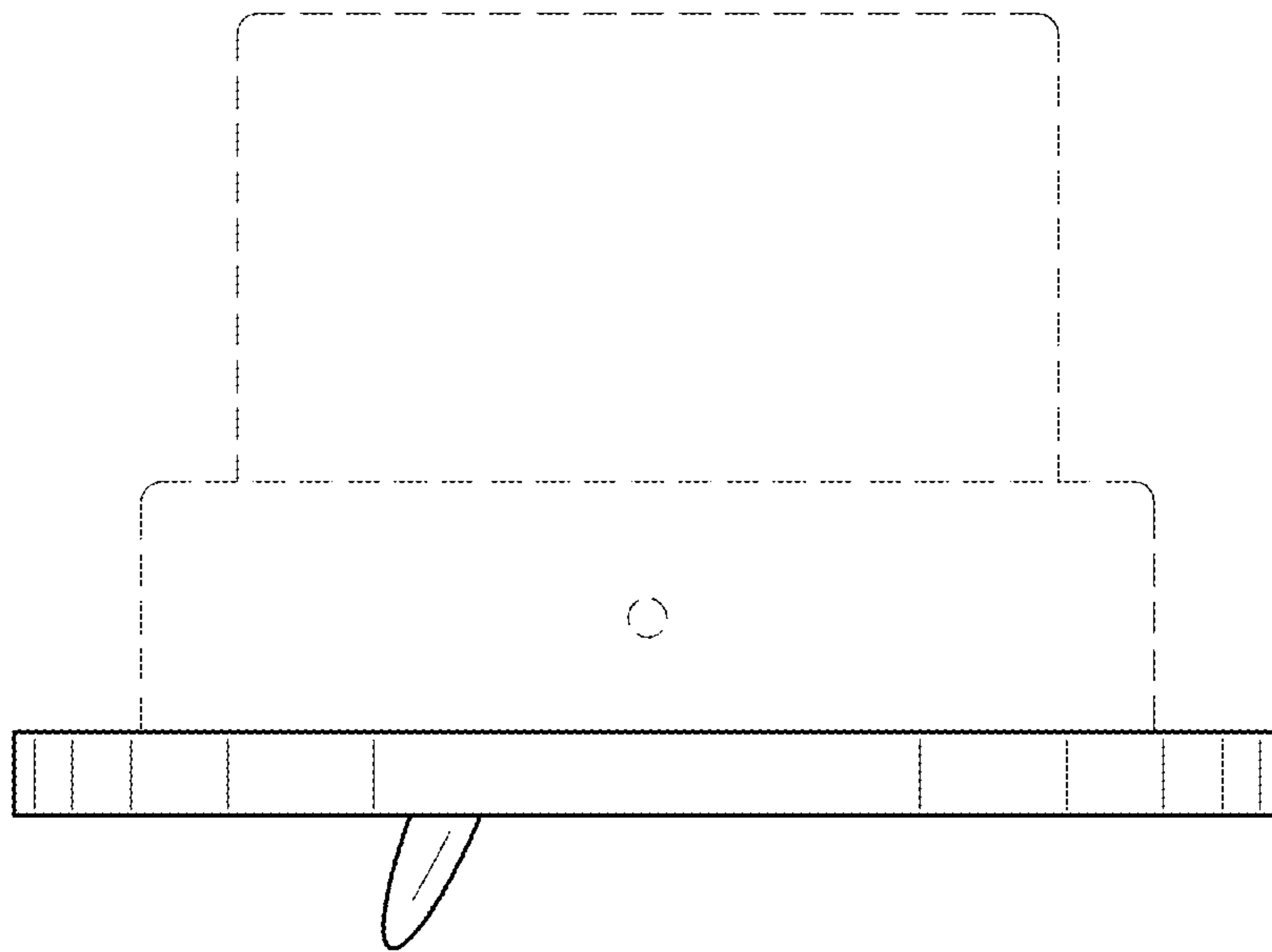


FIG. 23

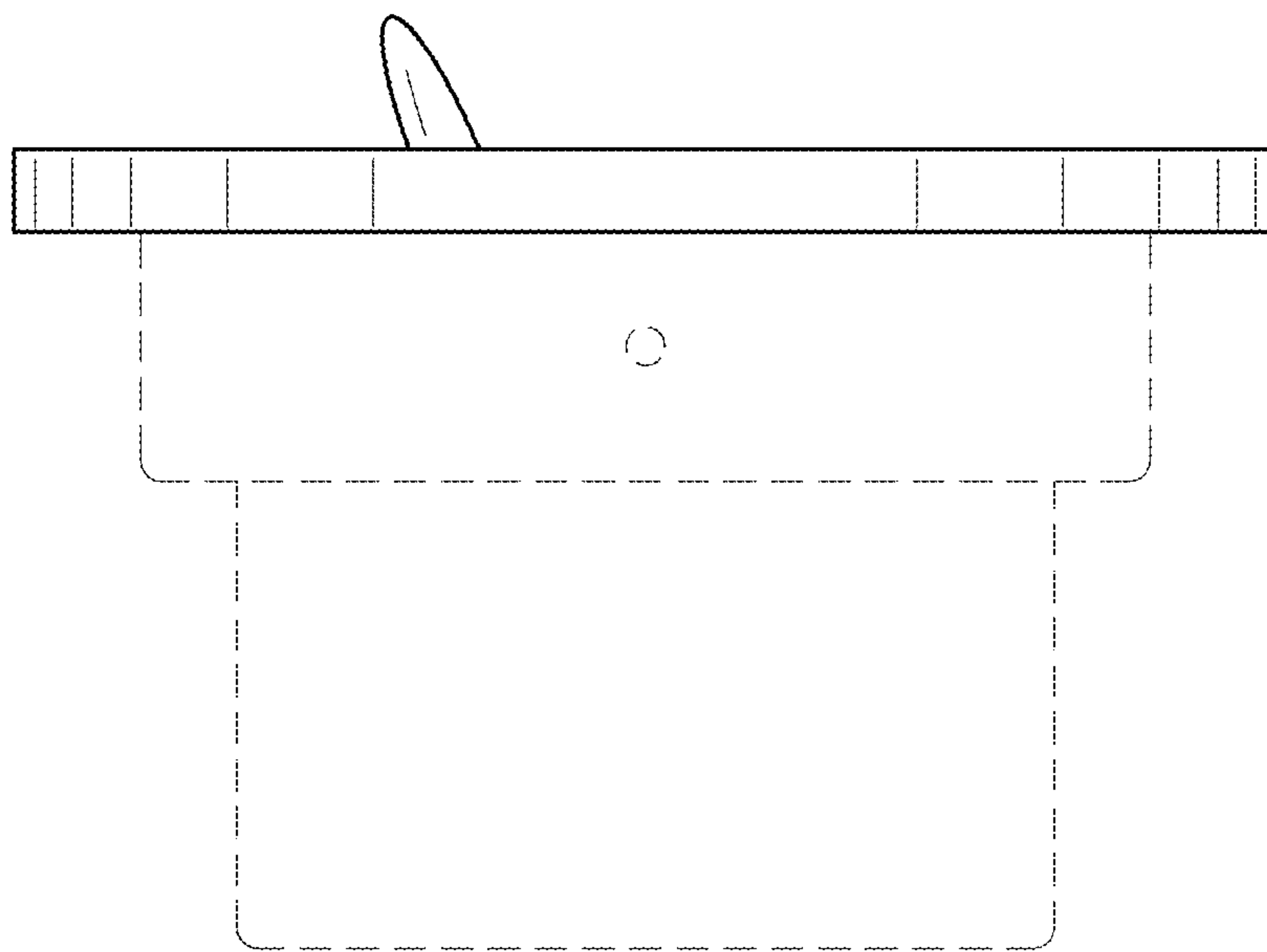


FIG. 24

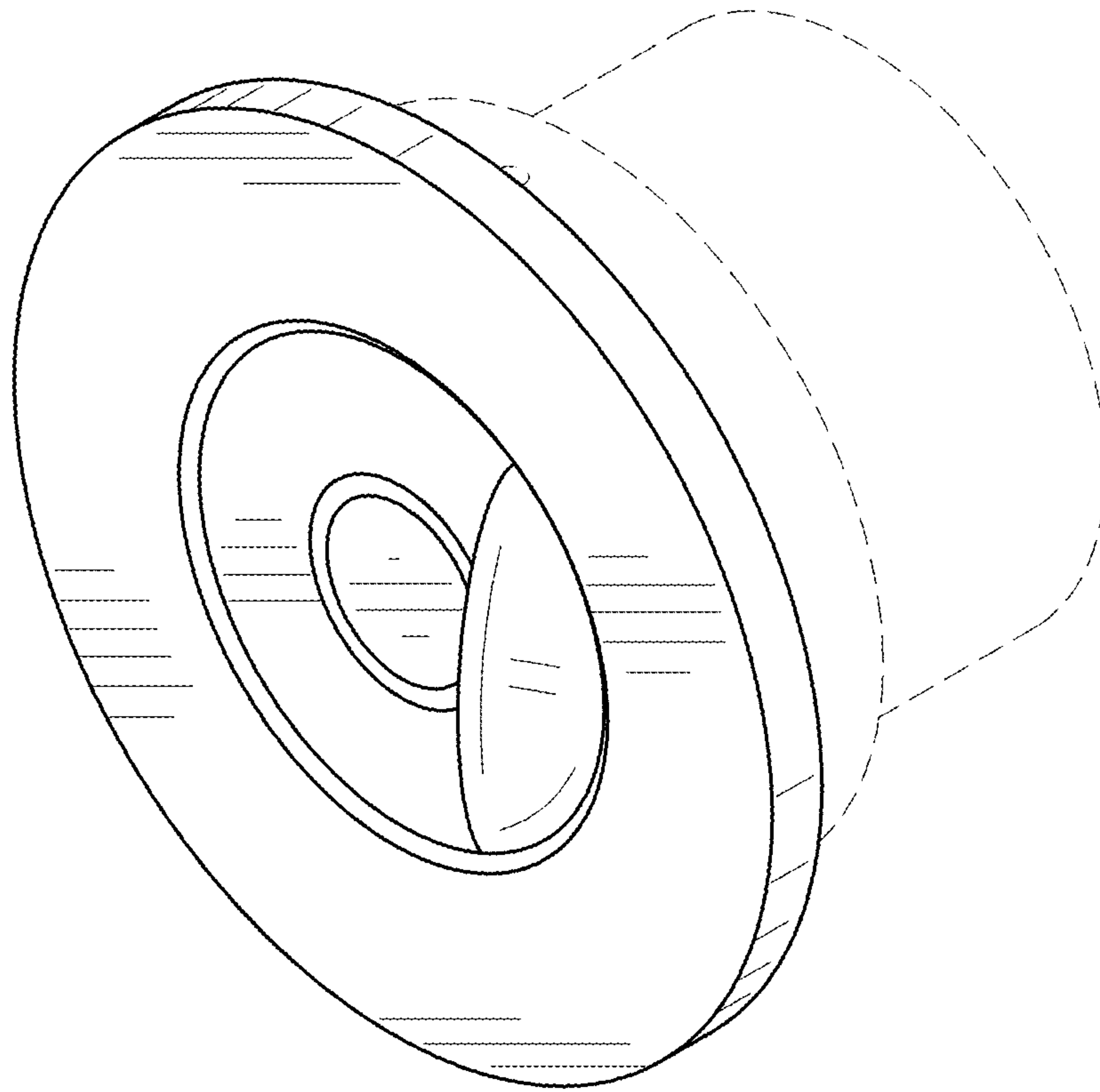


FIG. 25

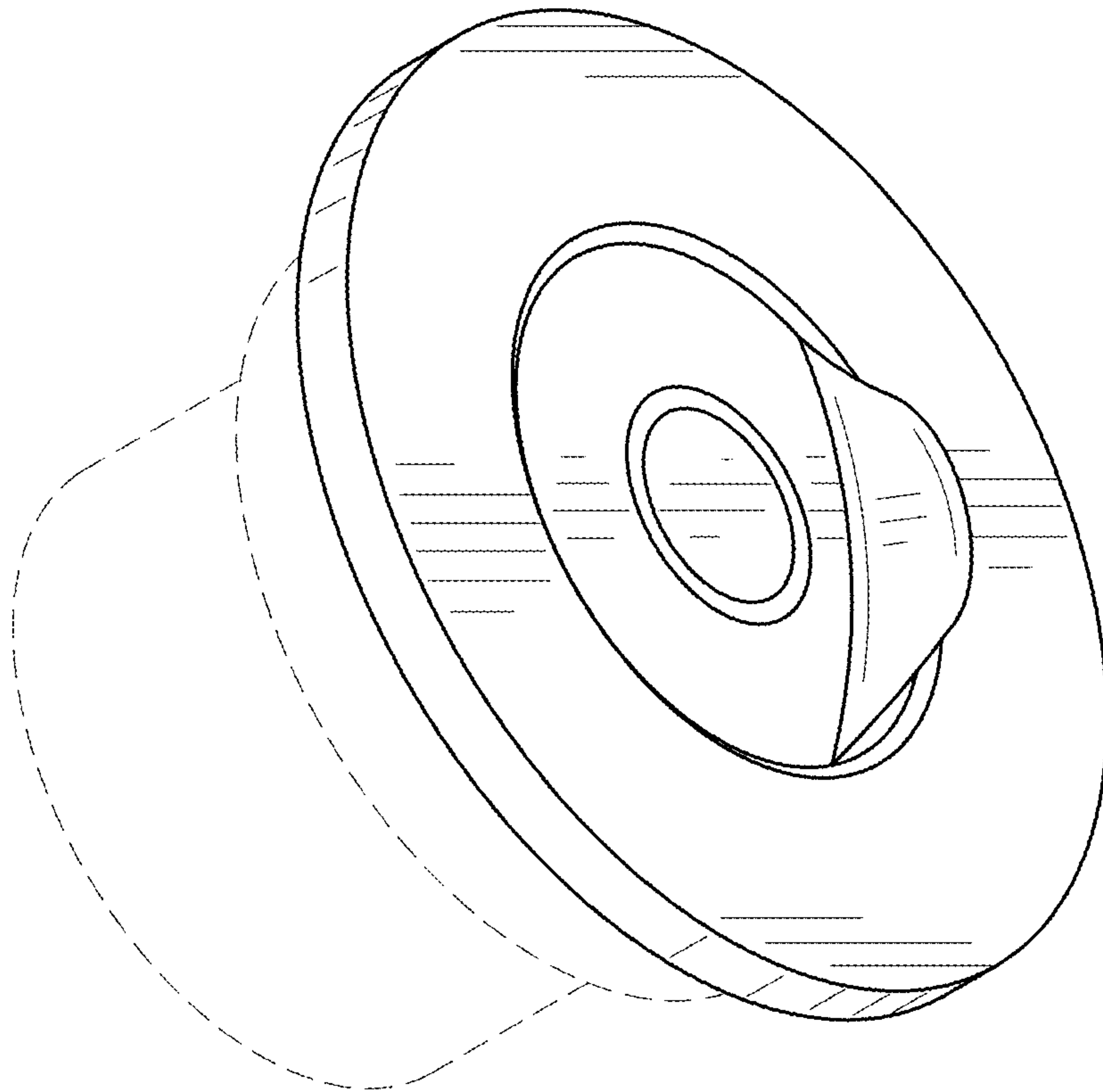


FIG. 26

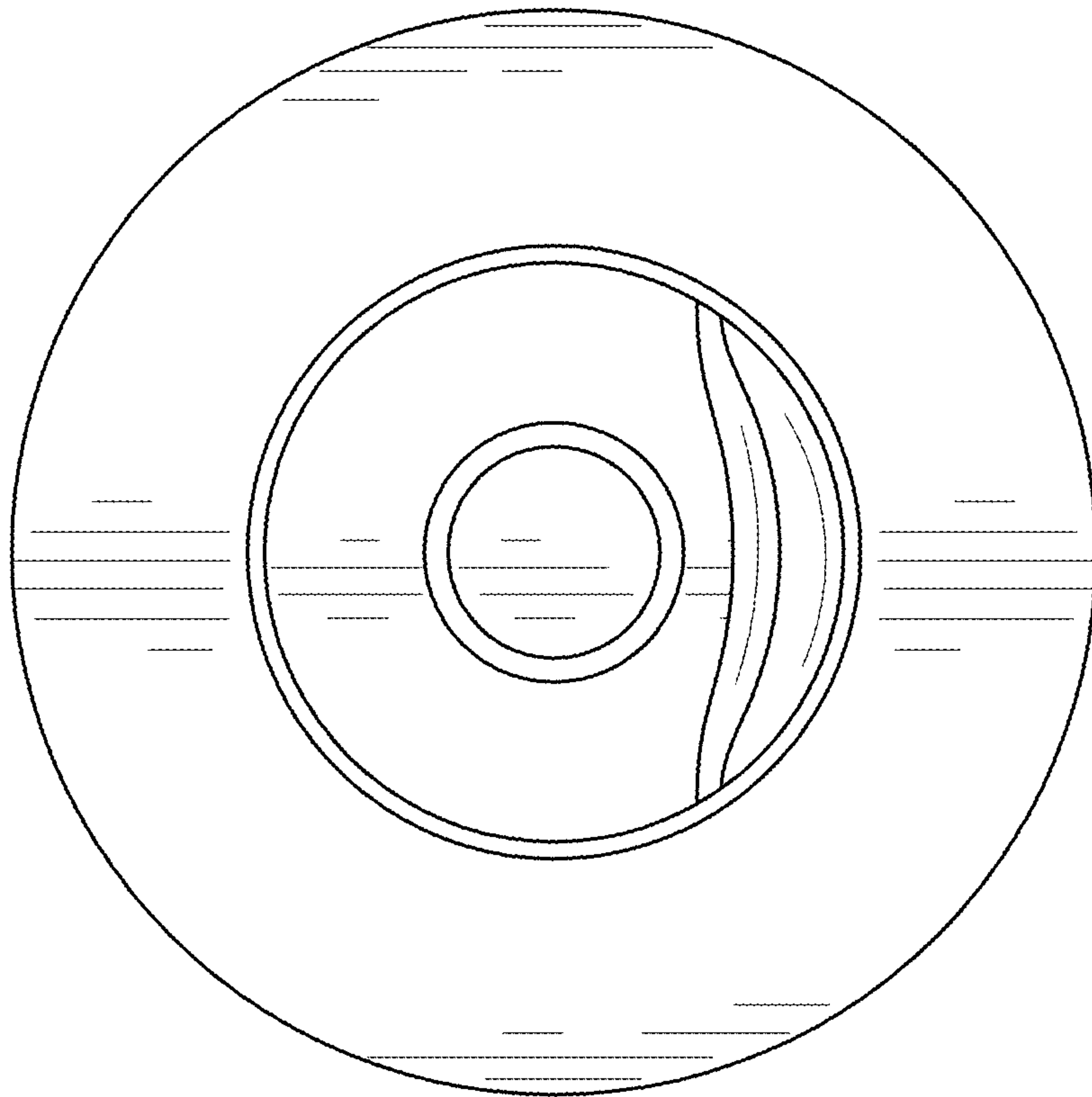


FIG. 27

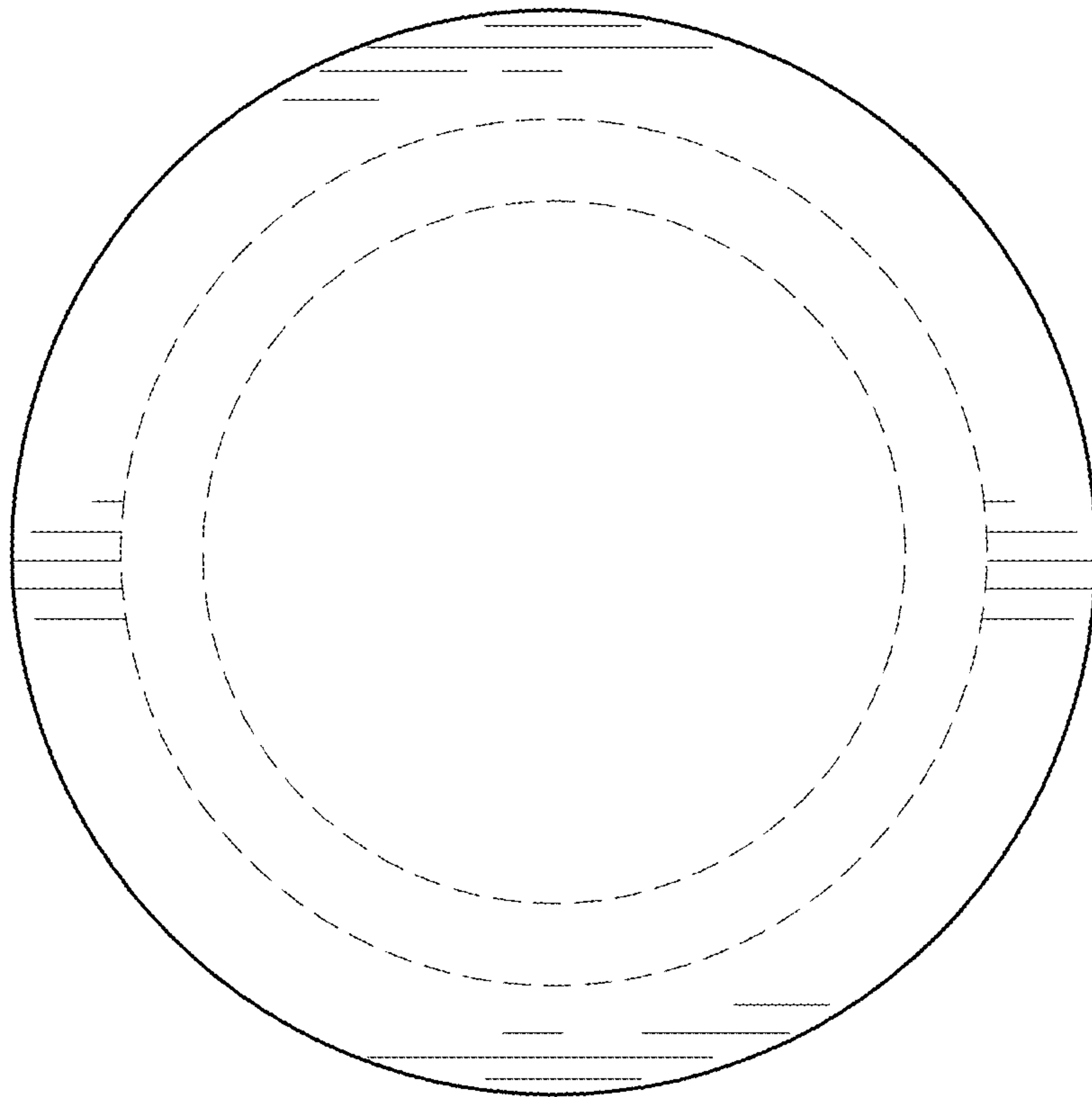


FIG. 28

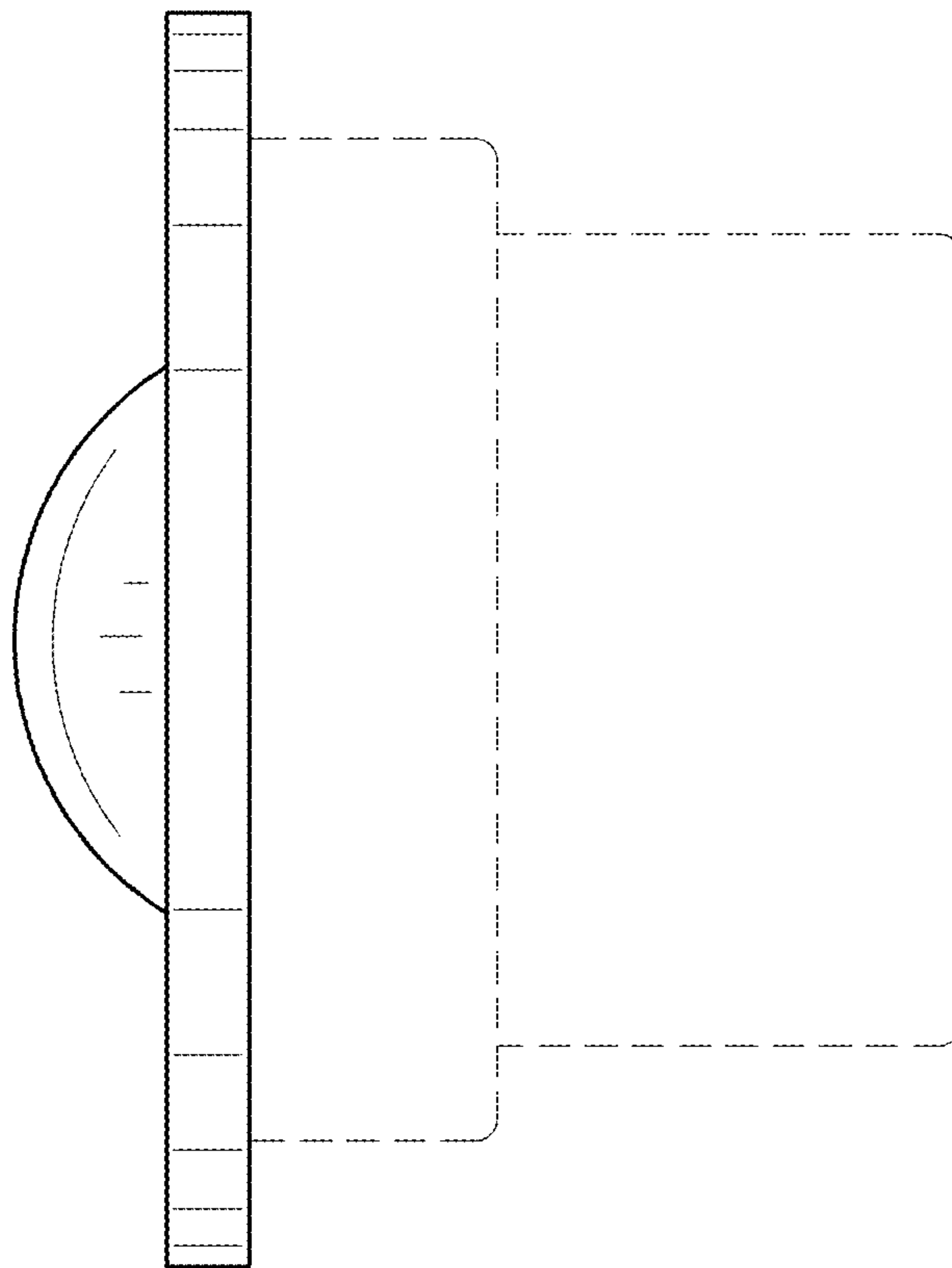


FIG. 29

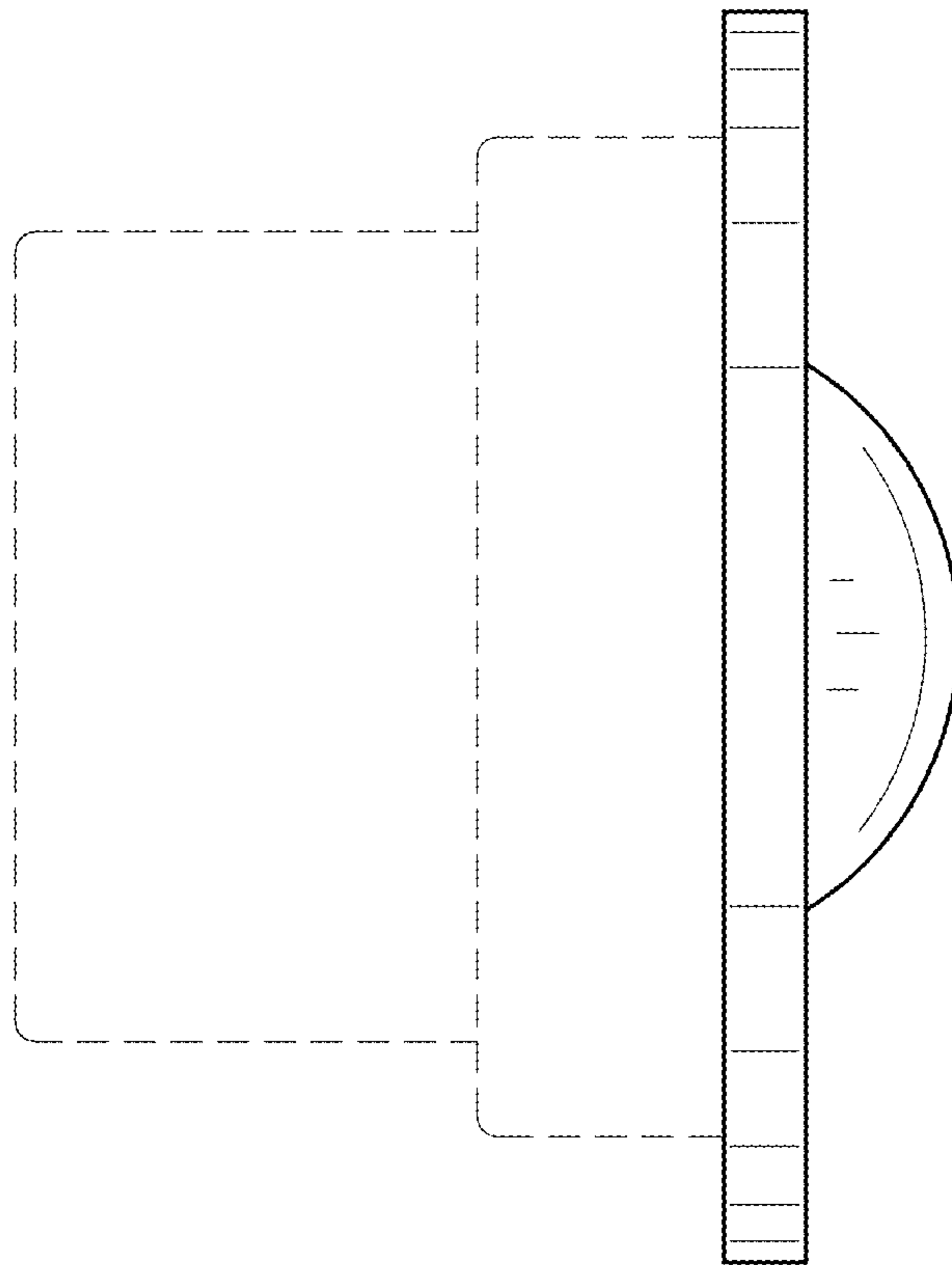


FIG. 30

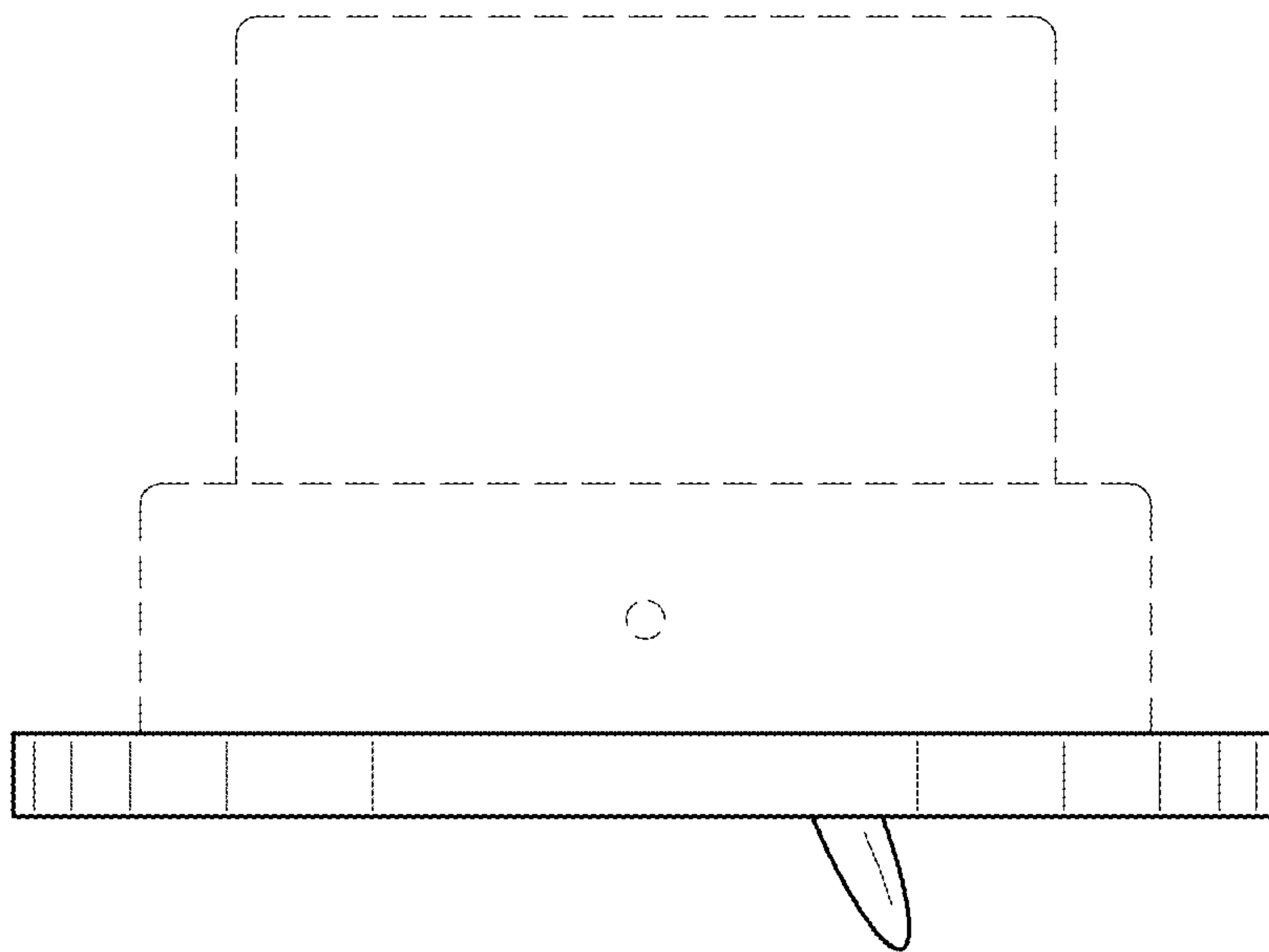


FIG. 31

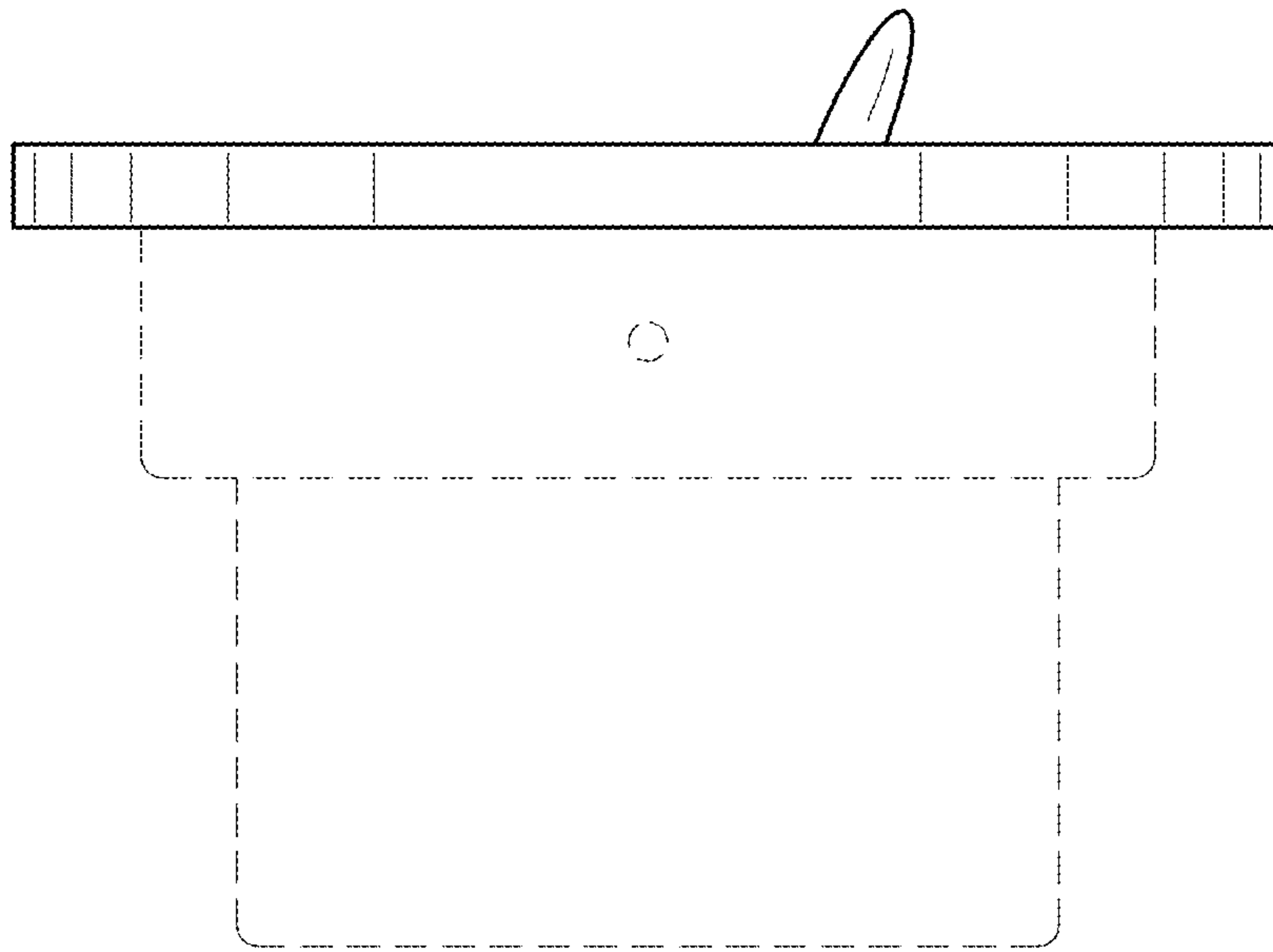


FIG. 32

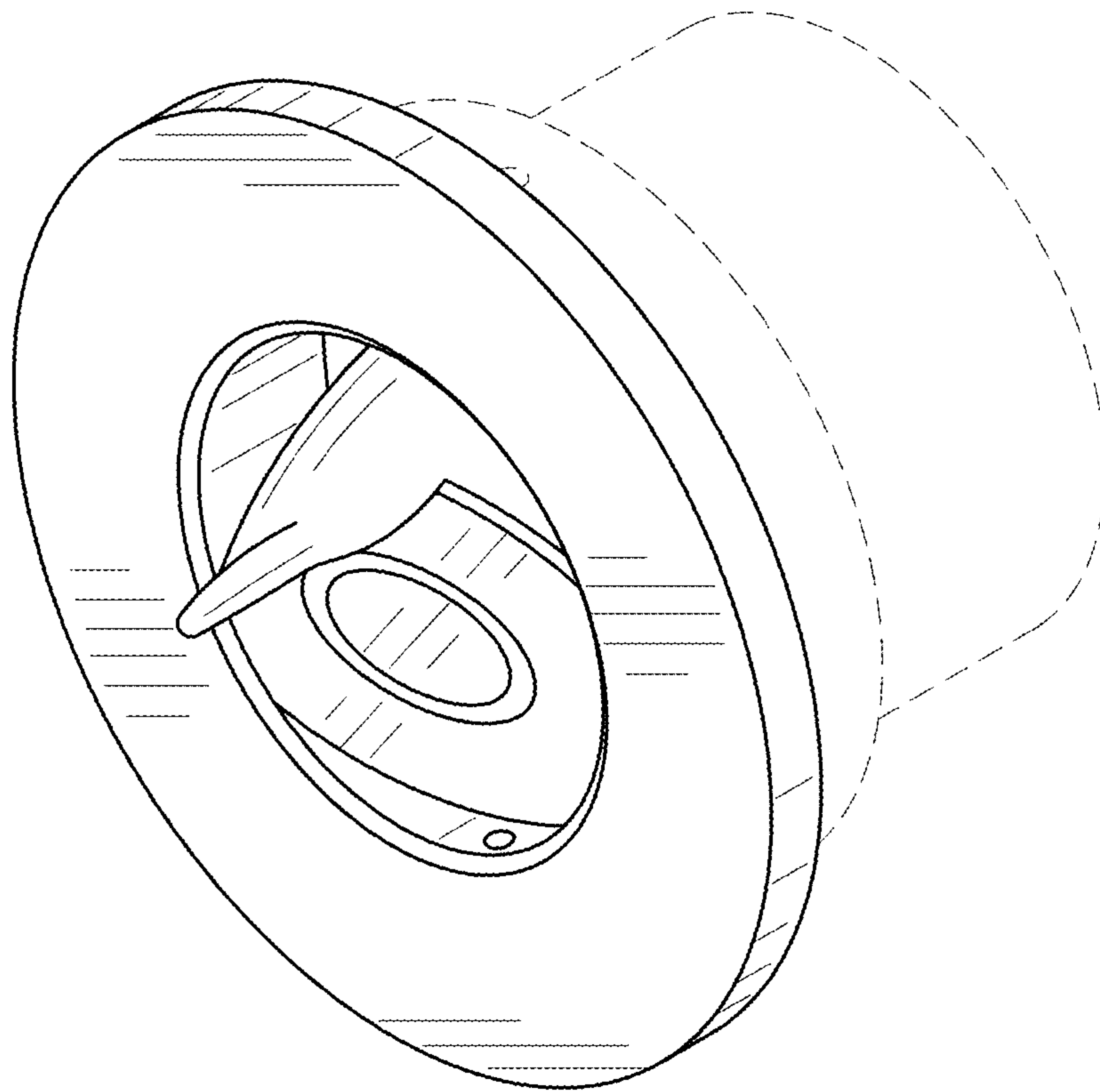


FIG. 33

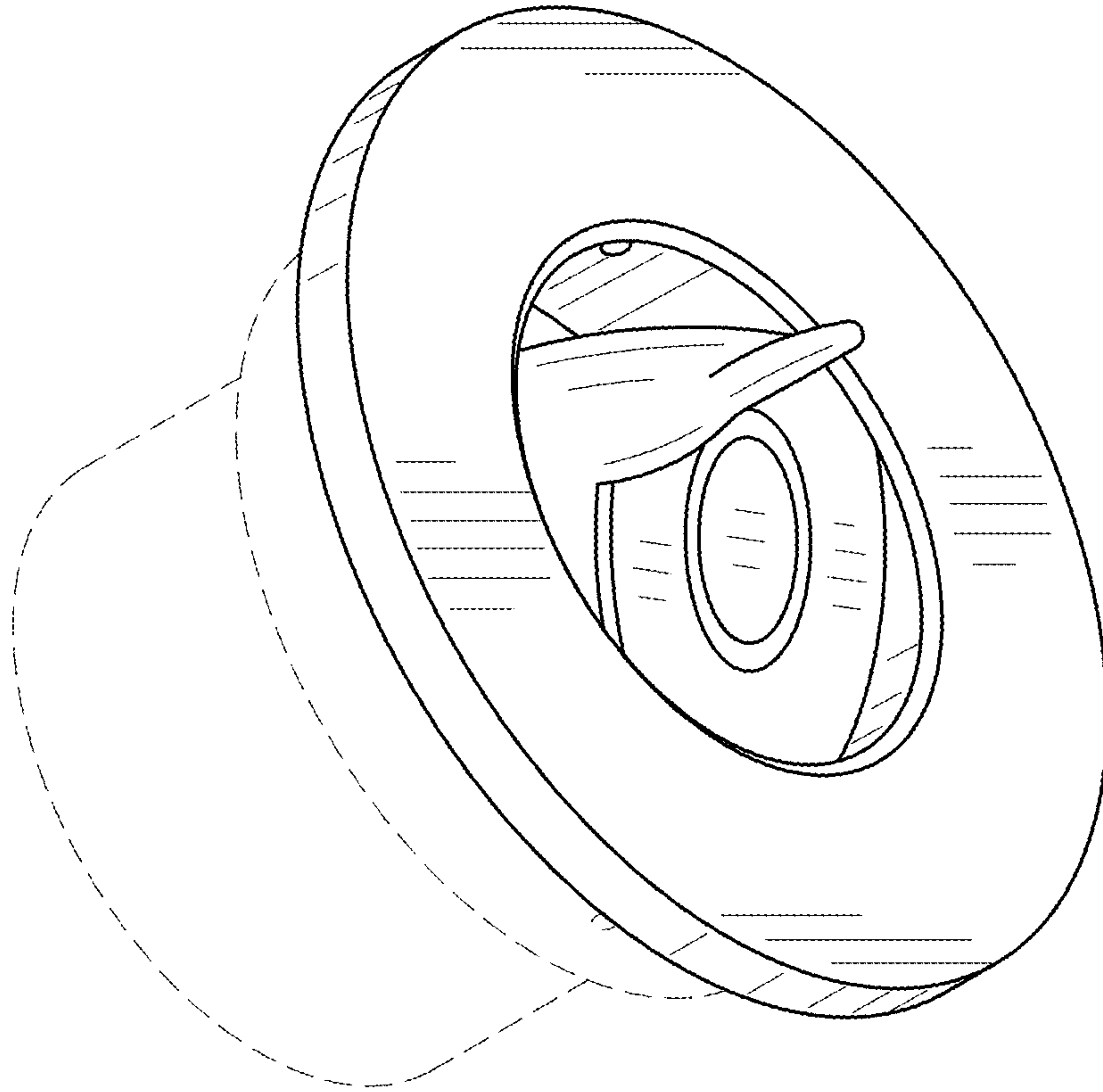


FIG. 34

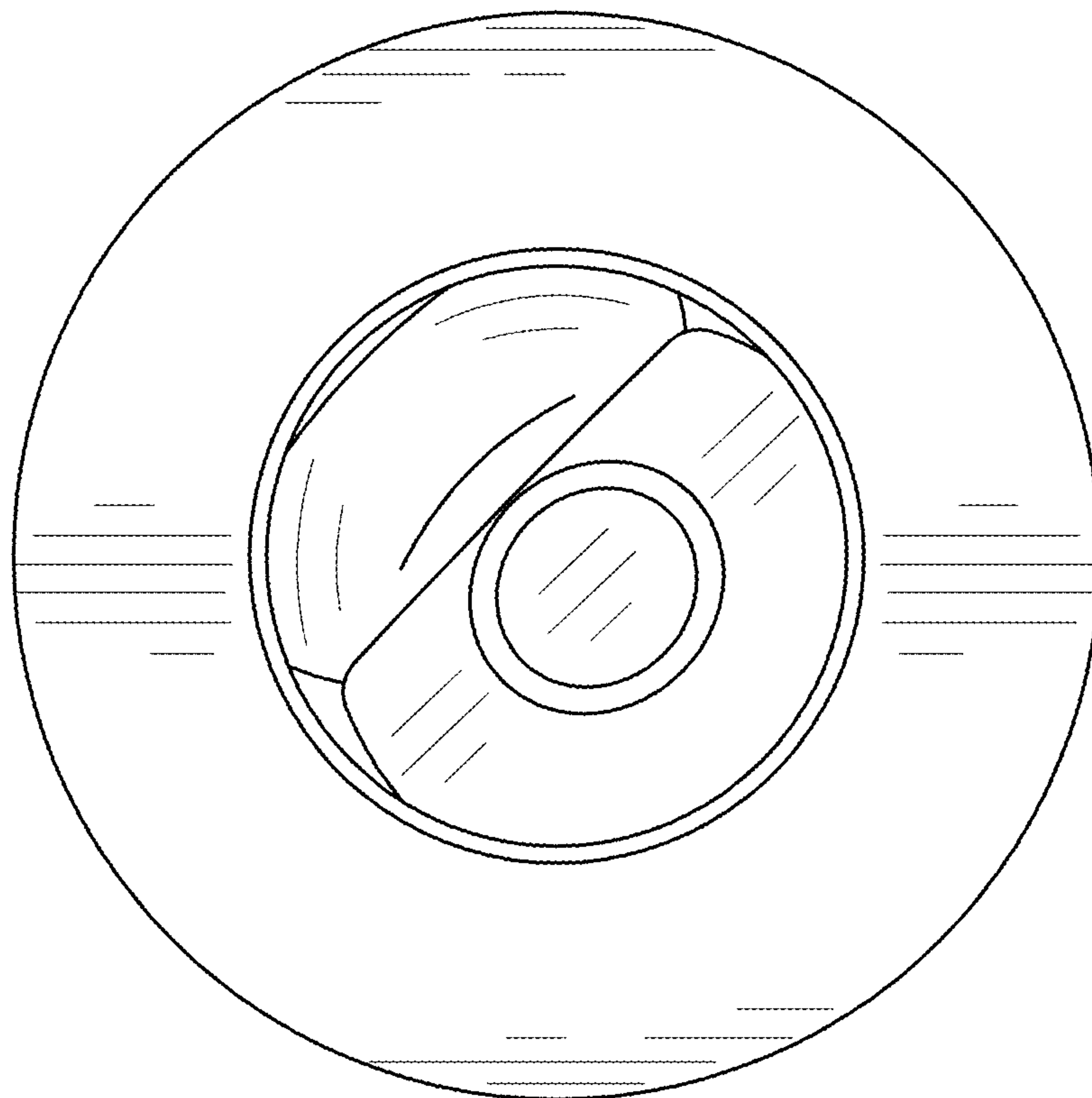


FIG. 35

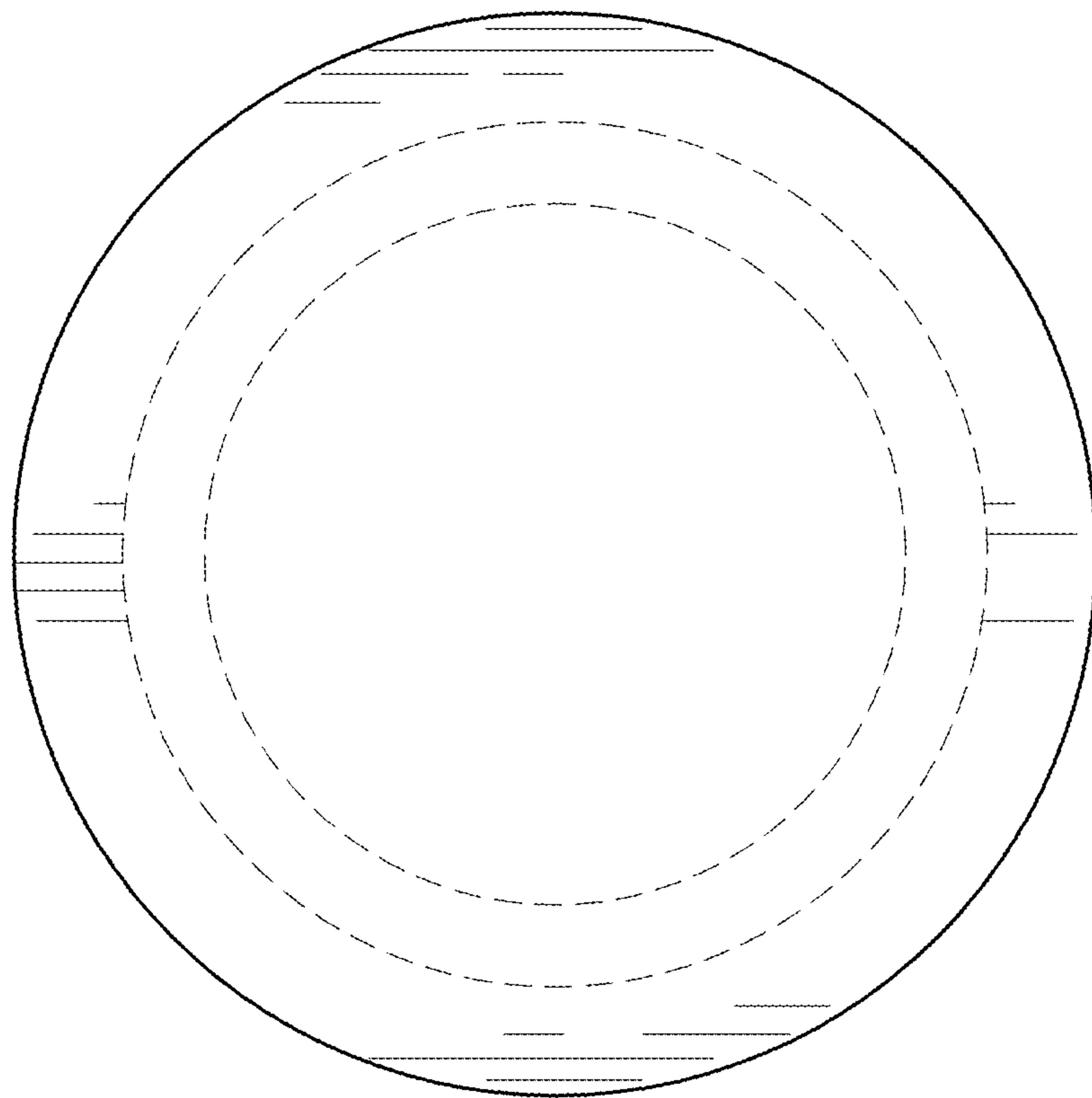


FIG. 36

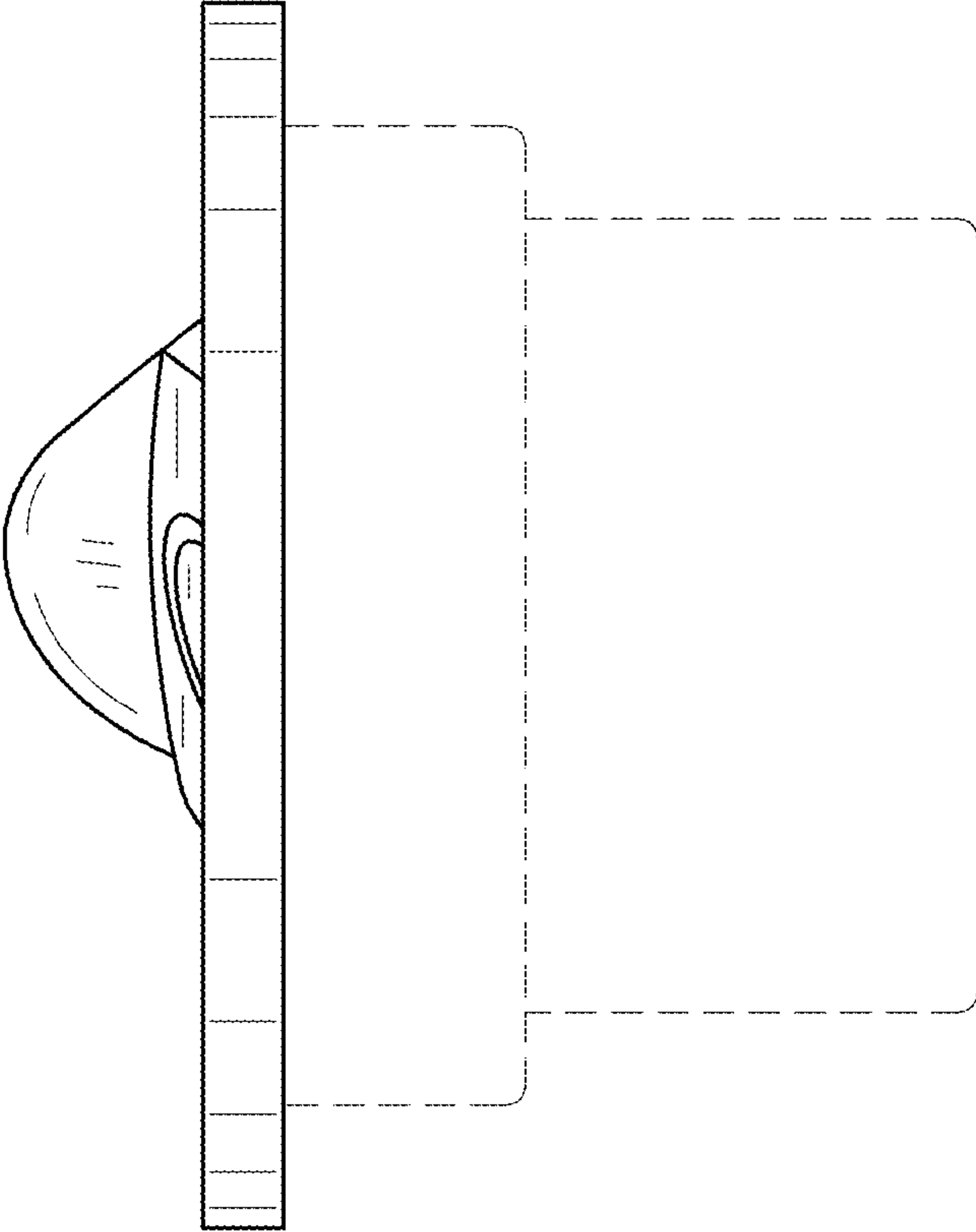


FIG. 37

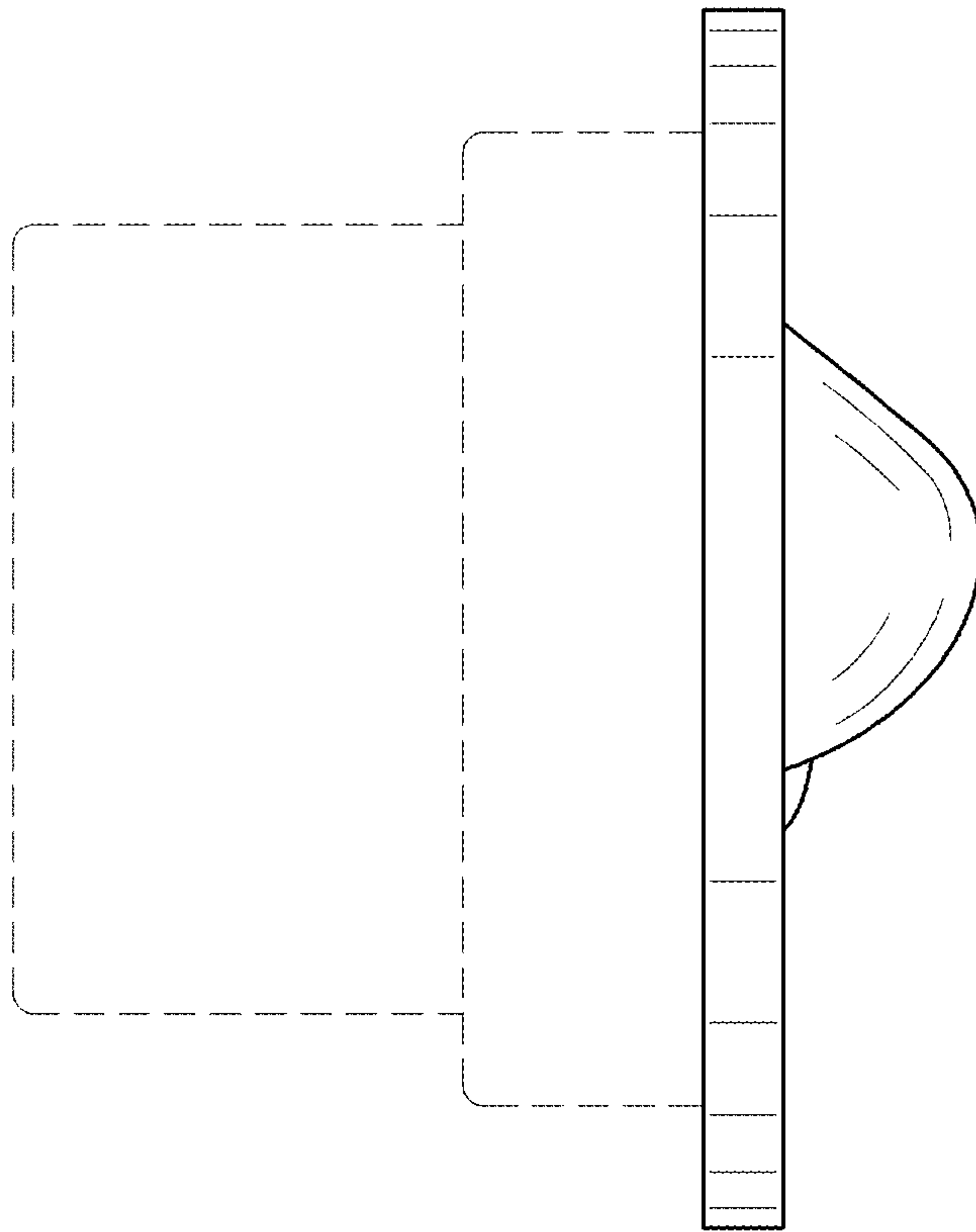


FIG. 38

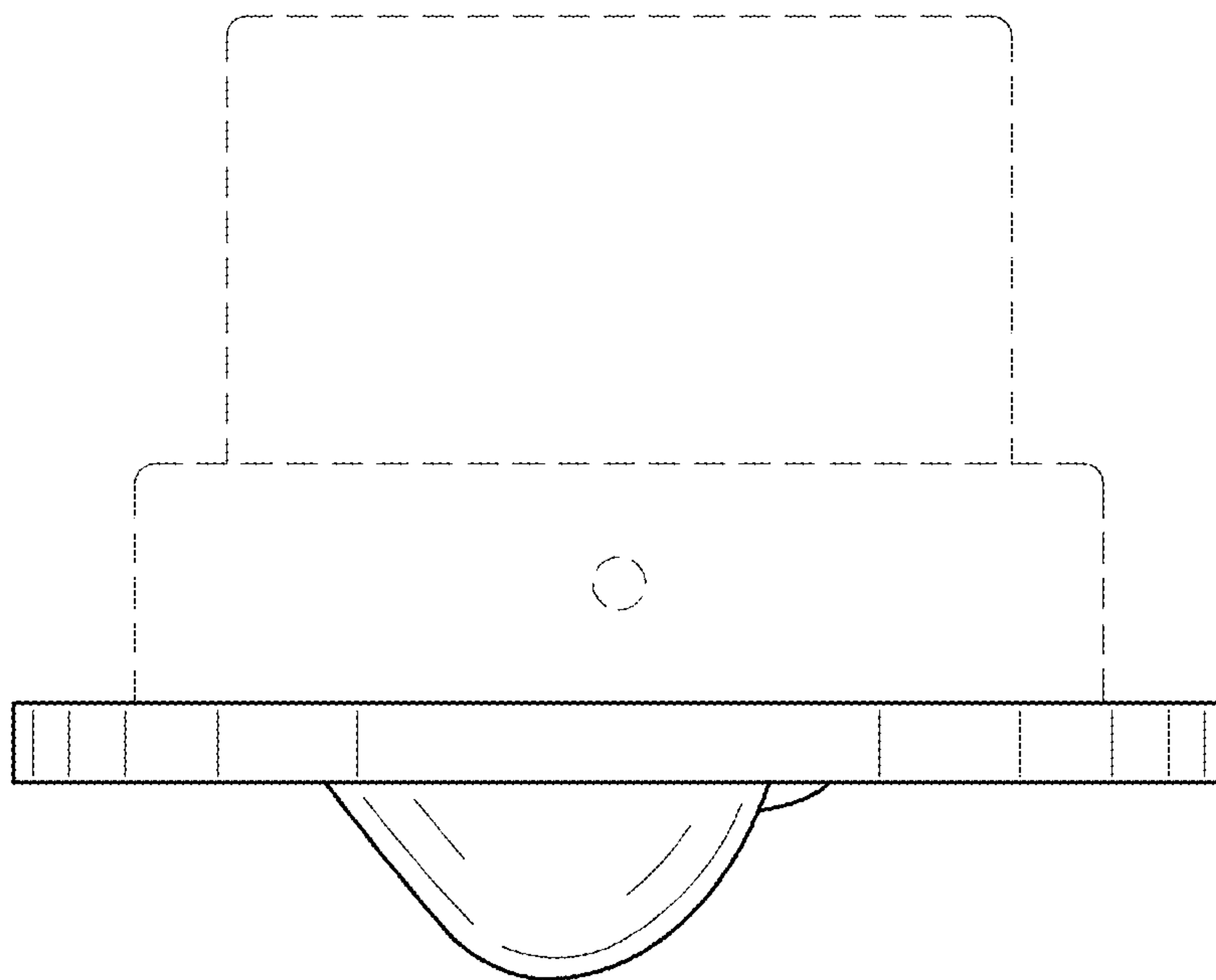


FIG. 39

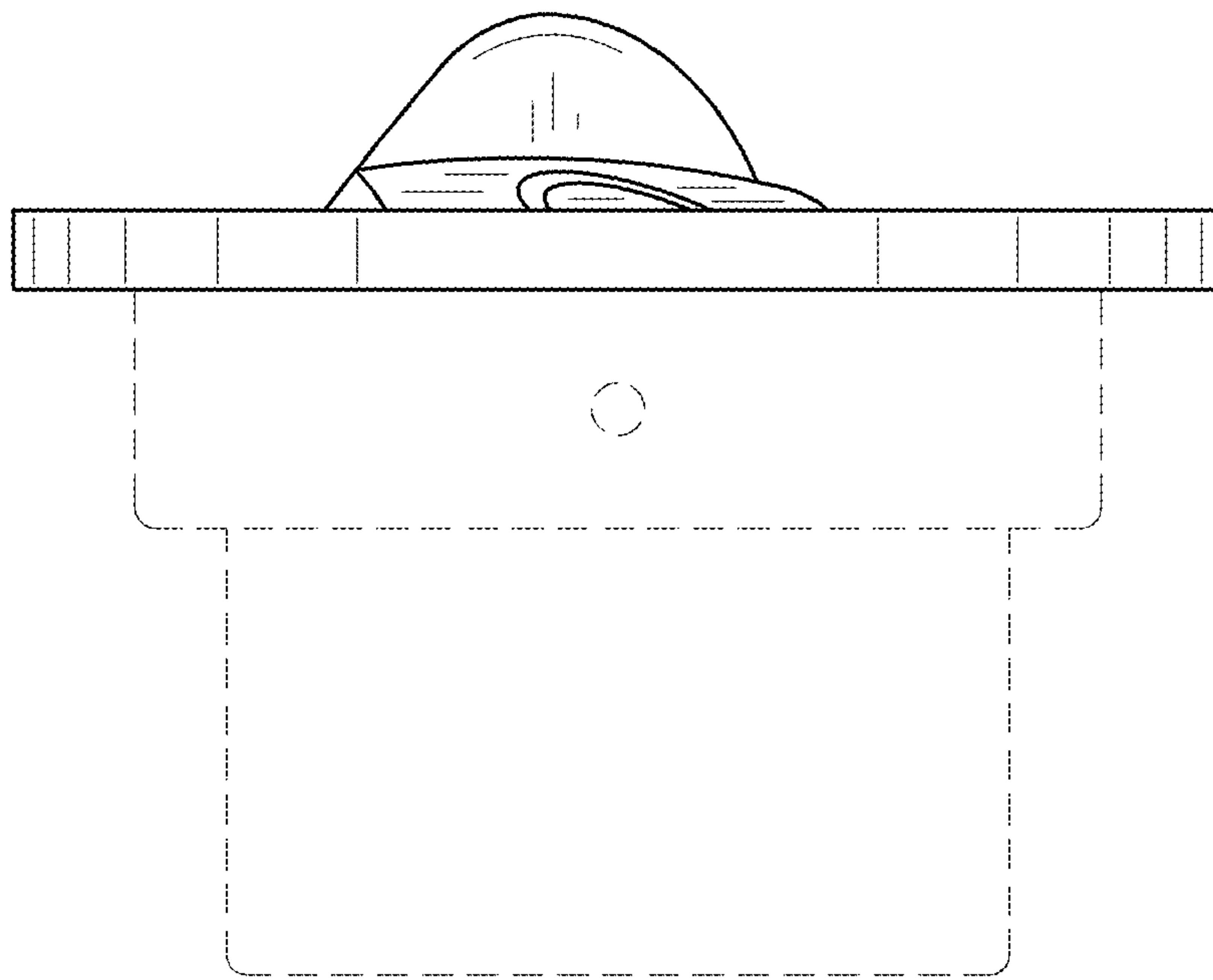


FIG. 40