



US00D965853S

(12) **United States Design Patent** (10) **Patent No.:** **US D965,853 S**  
**Kuang** (45) **Date of Patent:** **\*\* Oct. 4, 2022**

- (54) **FLOOR LAMP**
- (71) Applicant: **SHENZHEN KUNEN TECHNOLOGY CO., LTD.**, Shenzhen (CN)
- (72) Inventor: **Xinqiao Kuang**, Shaoyang (CN)
- (73) Assignee: **SHENZHEN KUNEN TECHNOLOGY CO., LTD.**, Shenzhen (CN)
- (\*\*) Term: **15 Years**
- (21) Appl. No.: **29/835,356**
- (22) Filed: **Apr. 19, 2022**
- (51) **LOC (13) Cl.** ..... **26-05**
- (52) **U.S. Cl.**  
USPC ..... **D26/110; D26/102; D26/112**
- (58) **Field of Classification Search**  
USPC ..... **D26/24, 93, 104, 106, 107, 108, 110, D26/112, 113, 118, 138, 102**  
CPC .... **F21S 6/00; F21S 6/002; F21S 6/003; F21S 6/004; F21S 6/005; F21S 6/006; F21S 6/007; F21S 6/008; F21V 1/00; F21V 1/02; F21V 1/14; F21V 3/00**  
See application file for complete search history.

- D876,709 S \* 2/2020 Zeng ..... D26/110
- D888,321 S \* 6/2020 Smrstick
- D893,295 S \* 8/2020 Thayer ..... D11/131
- D899,652 S \* 10/2020 Shen ..... D26/41
- 11,009,211 B1 \* 5/2021 Zhong ..... F21V 1/06
- D930,887 S \* 9/2021 Xie ..... D26/107
- D952,223 S \* 5/2022 Chen ..... D26/93

(Continued)

**OTHER PUBLICATIONS**

FlowerSew Farmhouse Floor Lamps, Aug. 24, 2021, Amazon.com, site visited Aug. 11, 2022, url: <https://www.amazon.com/dp/B09DGDGPR9/> (Year: 2021).\*

(Continued)

*Primary Examiner* — T Chase Nelson  
*Assistant Examiner* — Rachel Wolfe

(57) **CLAIM**

The ornamental design for a floor lamp, as shown and described.

**DESCRIPTION**

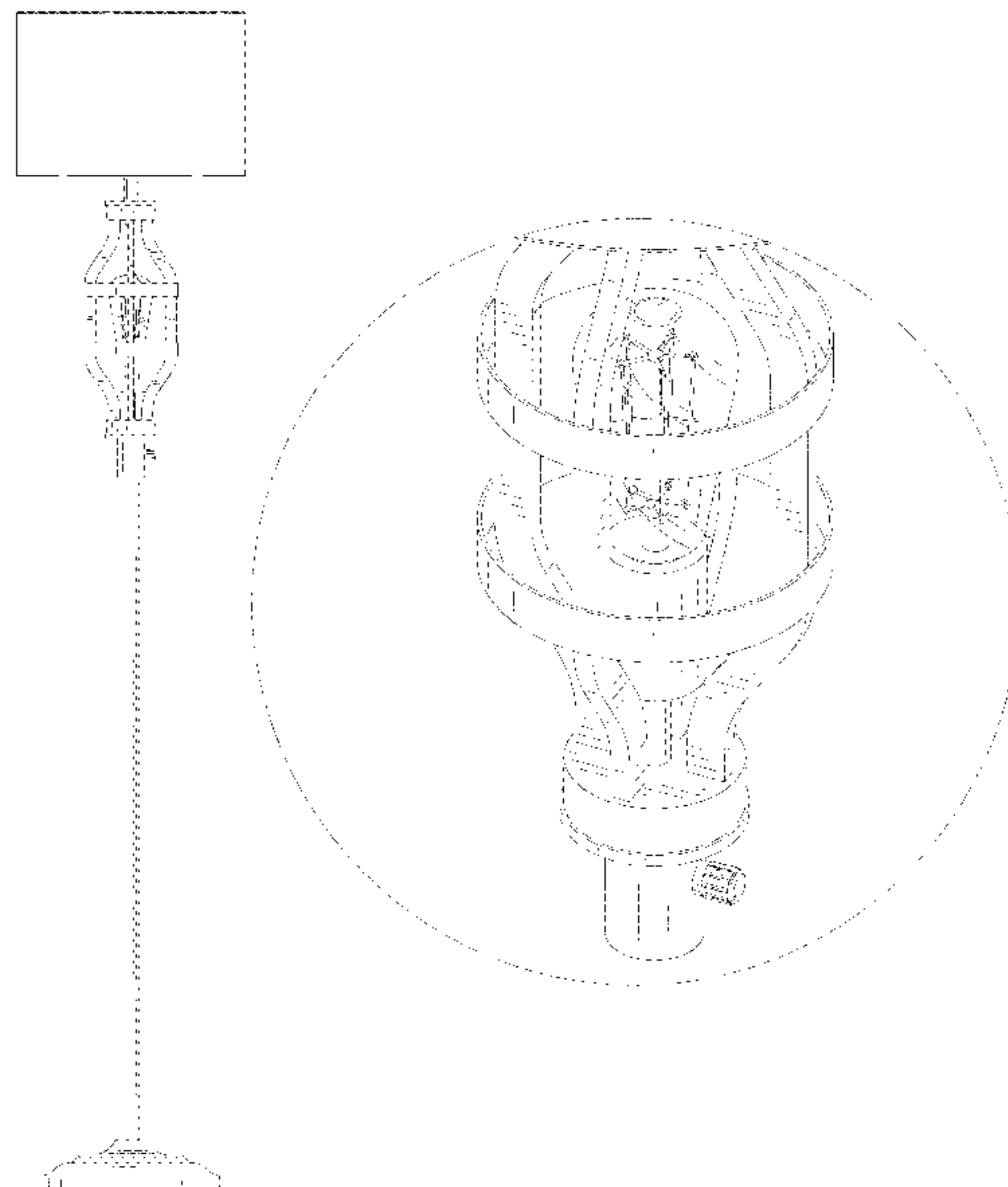
FIG. 1 is a perspective view of a floor lamp showing my new design;  
FIG. 2 is another perspective view thereof;  
FIG. 3 is another perspective view thereof;  
FIG. 4 is a front elevational view thereof;  
FIG. 5 is a rear elevational view thereof;  
FIG. 6 is a left side elevational view thereof;  
FIG. 7 is a right side elevational view thereof;  
FIG. 8 is a top plan view thereof;  
FIG. 9 is a bottom plan view thereof;  
FIG. 10 is an enlarged view of portion 10 shown in FIG. 1; and,  
FIG. 11 is an enlarged view of portion 11 shown in FIG. 2.  
The dot-dash broken lines represent boundaries of the enlarged portions and form no part of the claimed design.

**1 Claim, 11 Drawing Sheets**

(56) **References Cited**

**U.S. PATENT DOCUMENTS**

- D112,639 S \* 12/1938 Higgins ..... D26/112
- 2,721,244 A \* 10/1955 Seekins ..... H01R 33/955
- 200/518
- D217,495 S \* 5/1970 Levy, Jr. .... D26/57
- D429,367 S \* 8/2000 Hsieh ..... D26/110
- D517,238 S \* 3/2006 Rhodes ..... D26/111
- D534,299 S \* 12/2006 DeBusscher ..... D26/94
- D605,811 S \* 12/2009 Salatto-Rose ..... D26/94
- D767,813 S \* 9/2016 Lucchi ..... D26/110
- D876,706 S \* 2/2020 Tang et al.



(56)

**References Cited**

U.S. PATENT DOCUMENTS

D956,314 S \* 6/2022 Cui ..... H01R 33/955  
D26/93  
D958,442 S \* 7/2022 Li ..... D26/106  
2016/0320014 A1\* 11/2016 Lin ..... F21V 15/00  
2018/0010761 A1\* 1/2018 Hong ..... F21V 1/12

OTHER PUBLICATIONS

Gernehop Tall Floor Lamp with Dual Lights, Apr. 17, 2022,  
Amazon.com, site visited Aug. 11, 2022, url: <https://www.amazon.com/dp/B09Y4NS861/?th=1> (Year: 2022).\*

Bosceos Farmhouse Floor Lamp with Night Light, May 7, 2022,  
Amazon.com, site visited Aug. 11, 2022, url: <https://www.amazon.com/dp/B09ZQD8BDT/> (Year: 2022).\*

\* cited by examiner

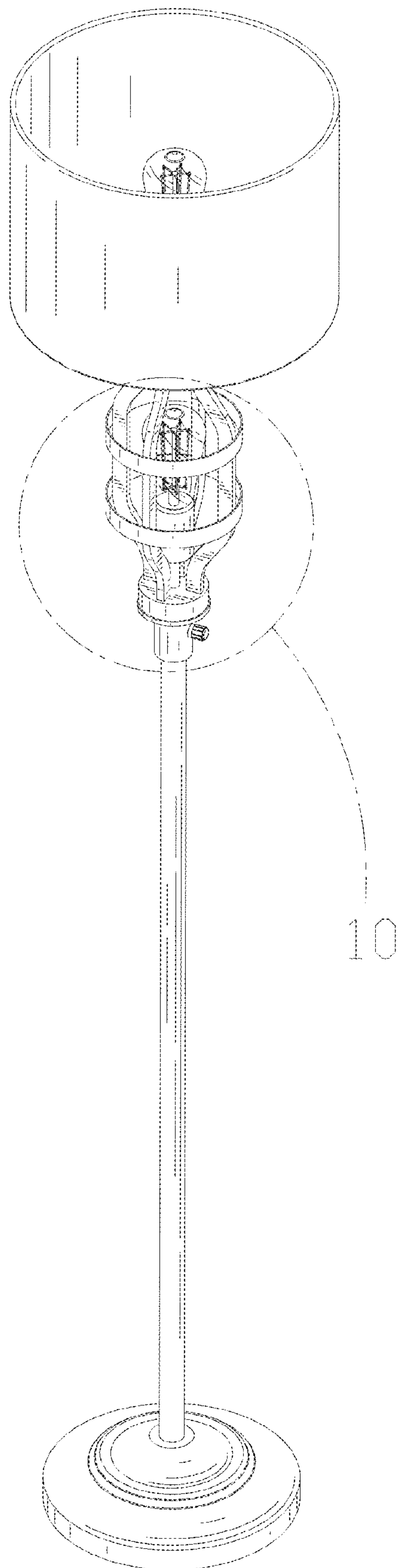


FIG. 1

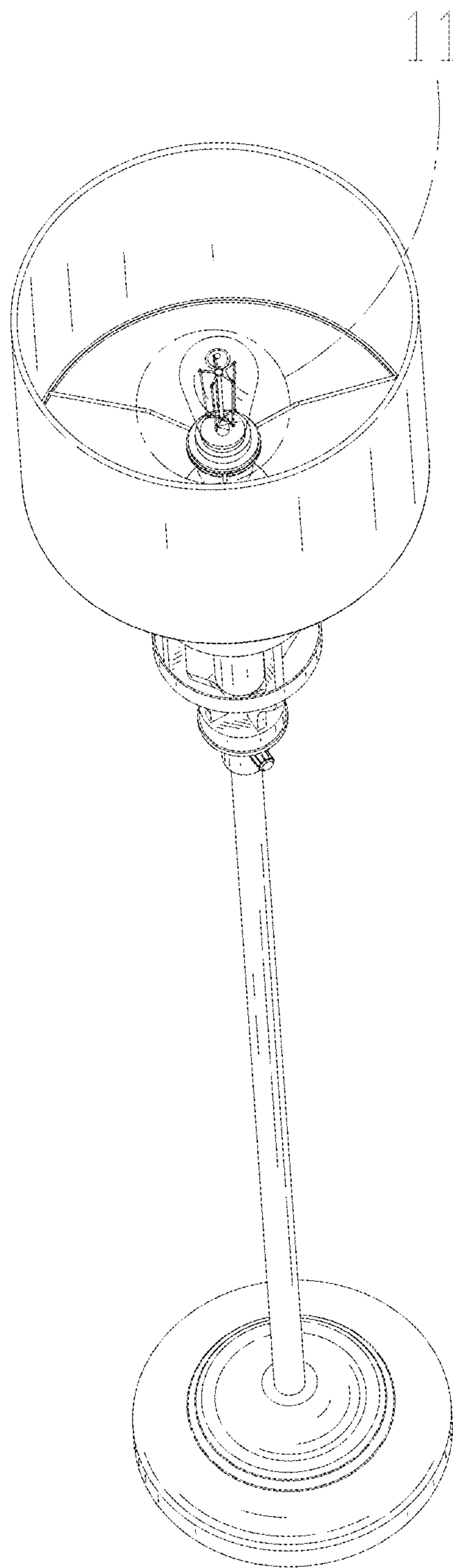


FIG. 2

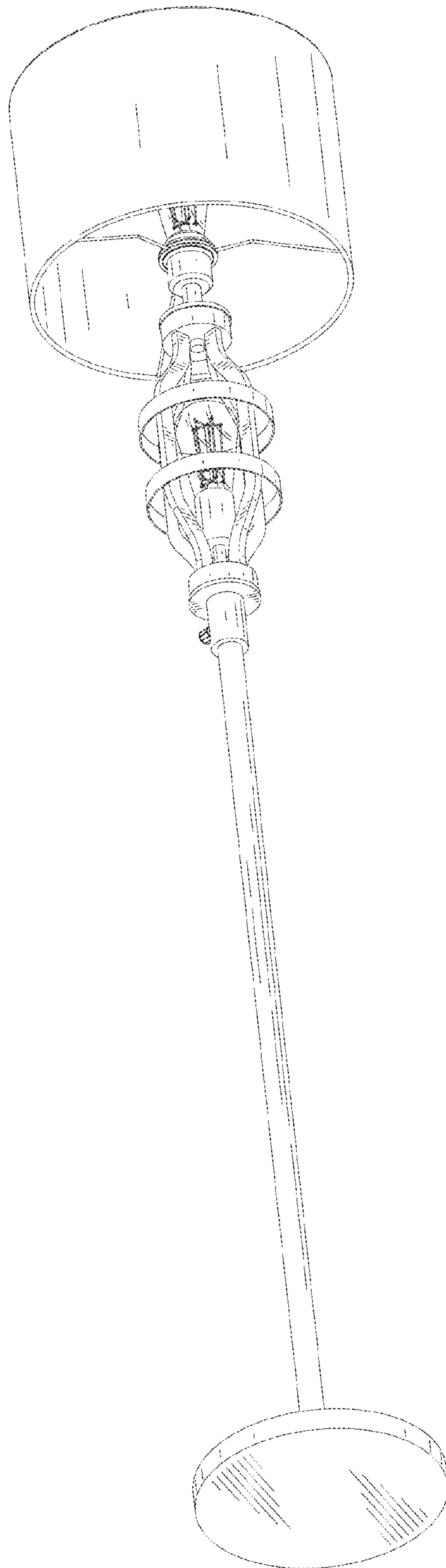


FIG. 3

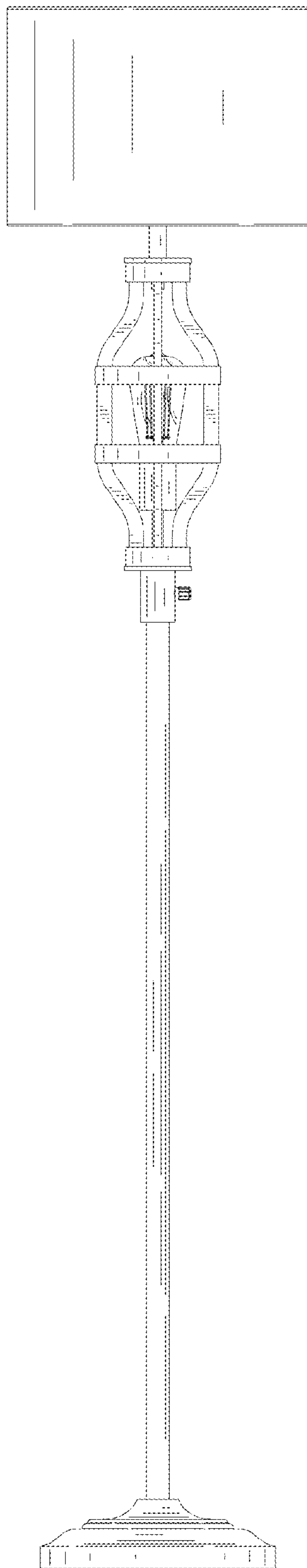


FIG. 4

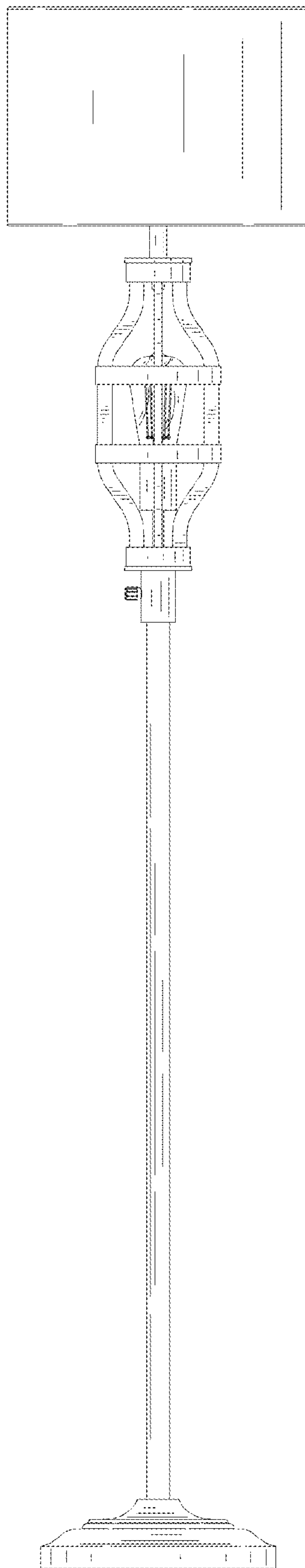


FIG. 5



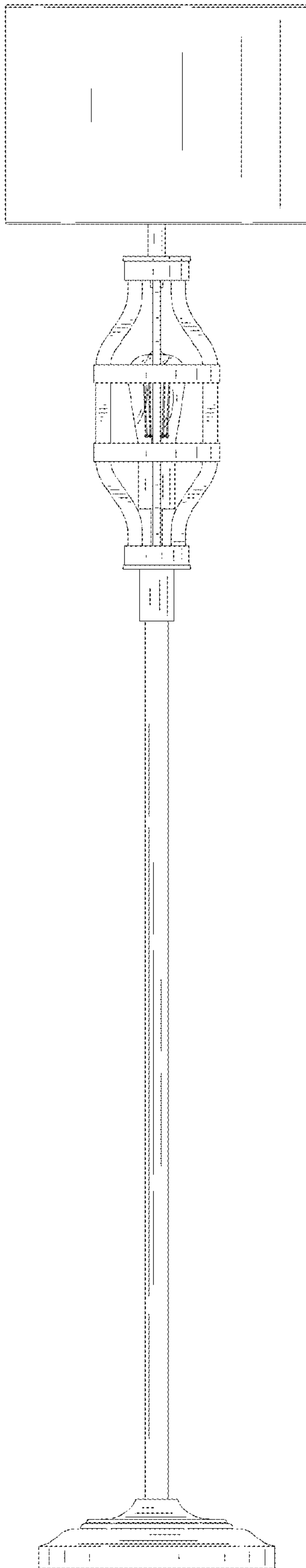


FIG. 6



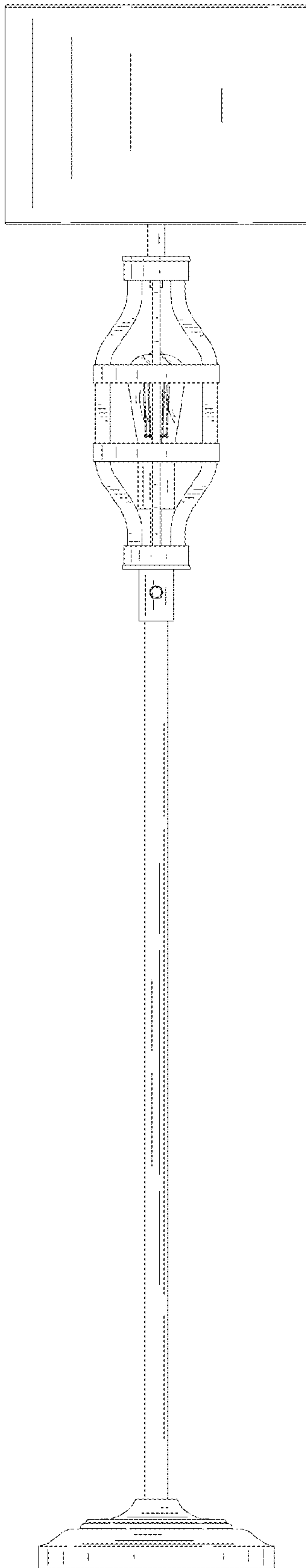


FIG. 7

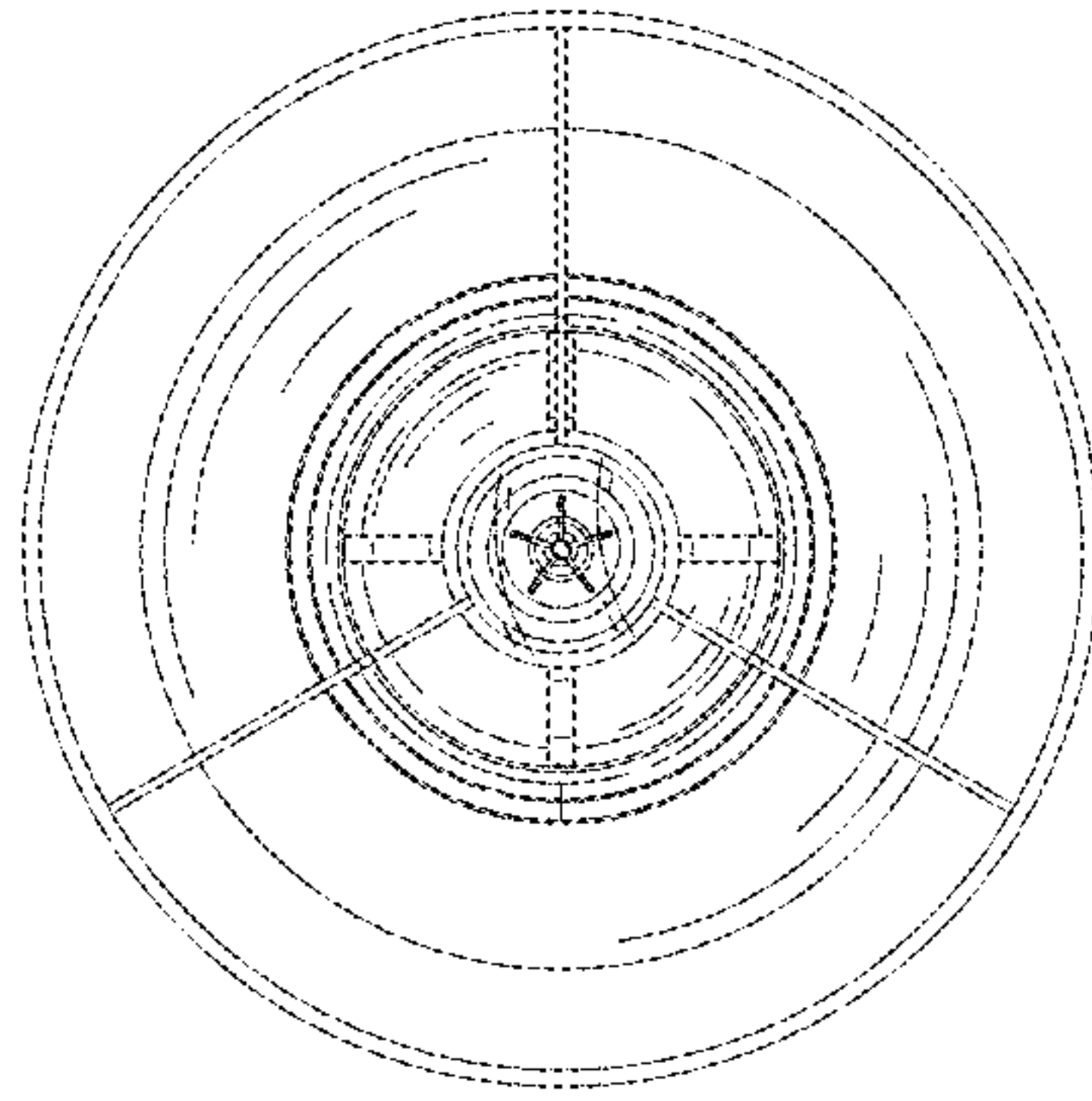


FIG. 8

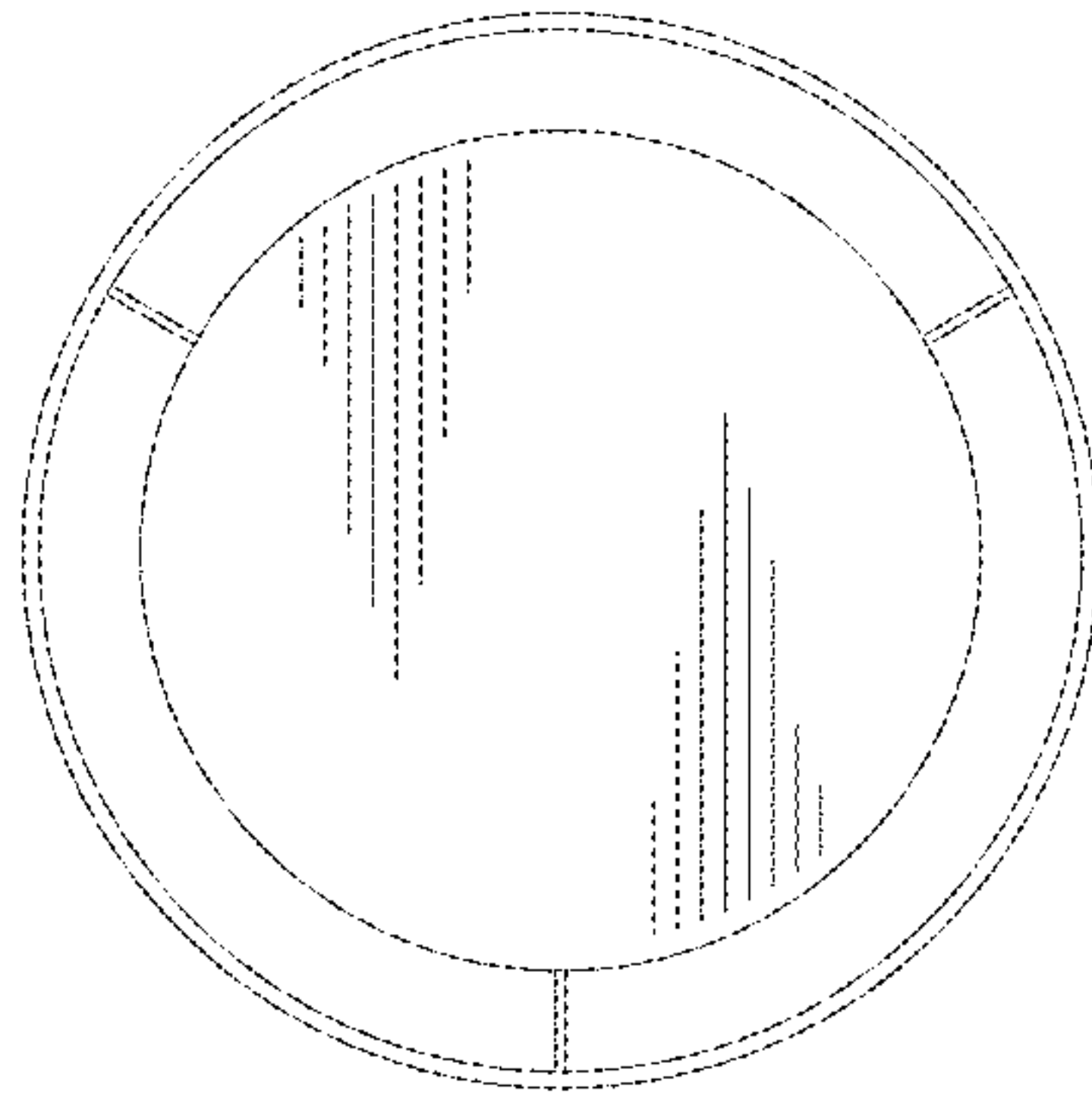


FIG. 9

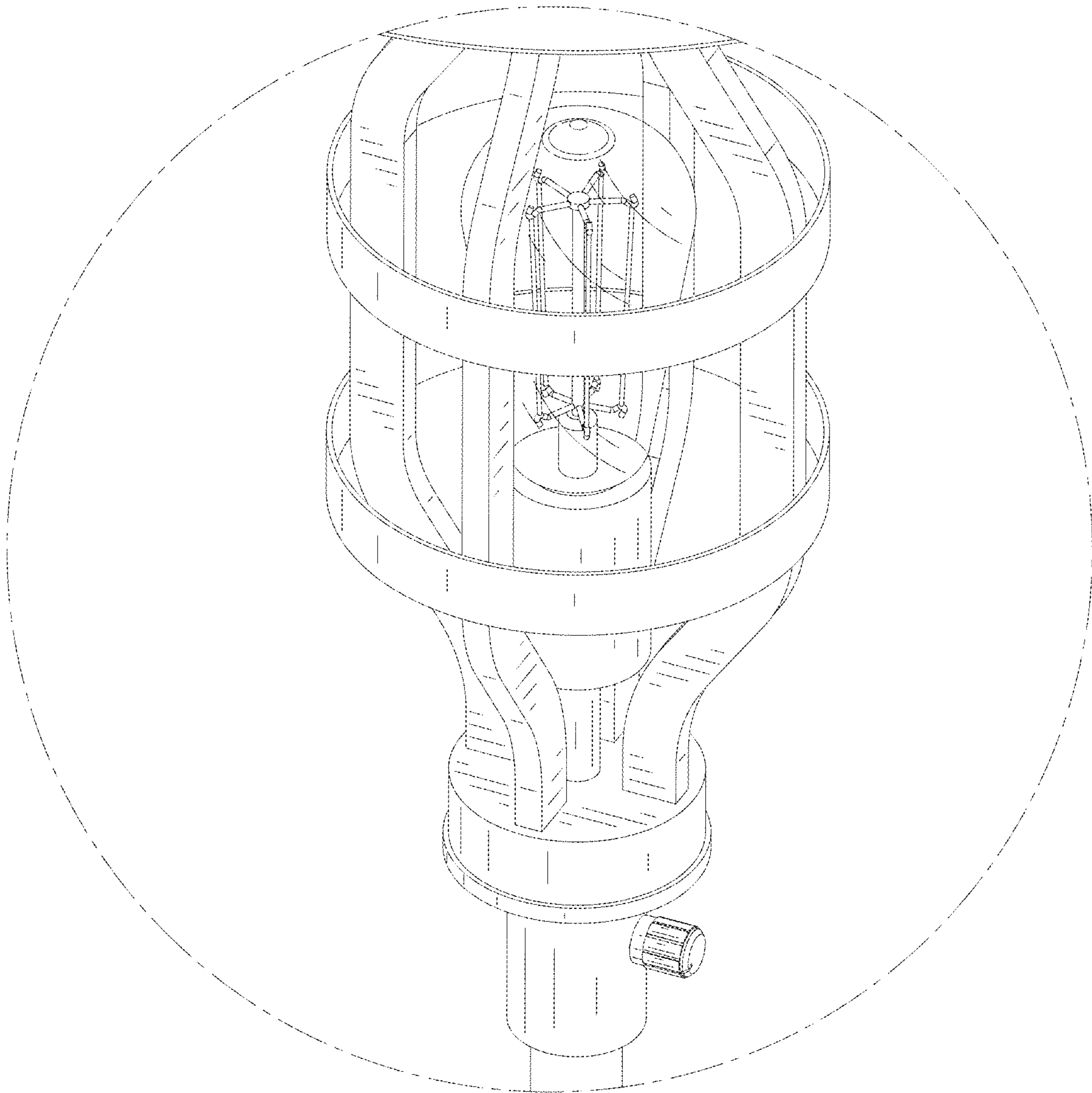


FIG. 10

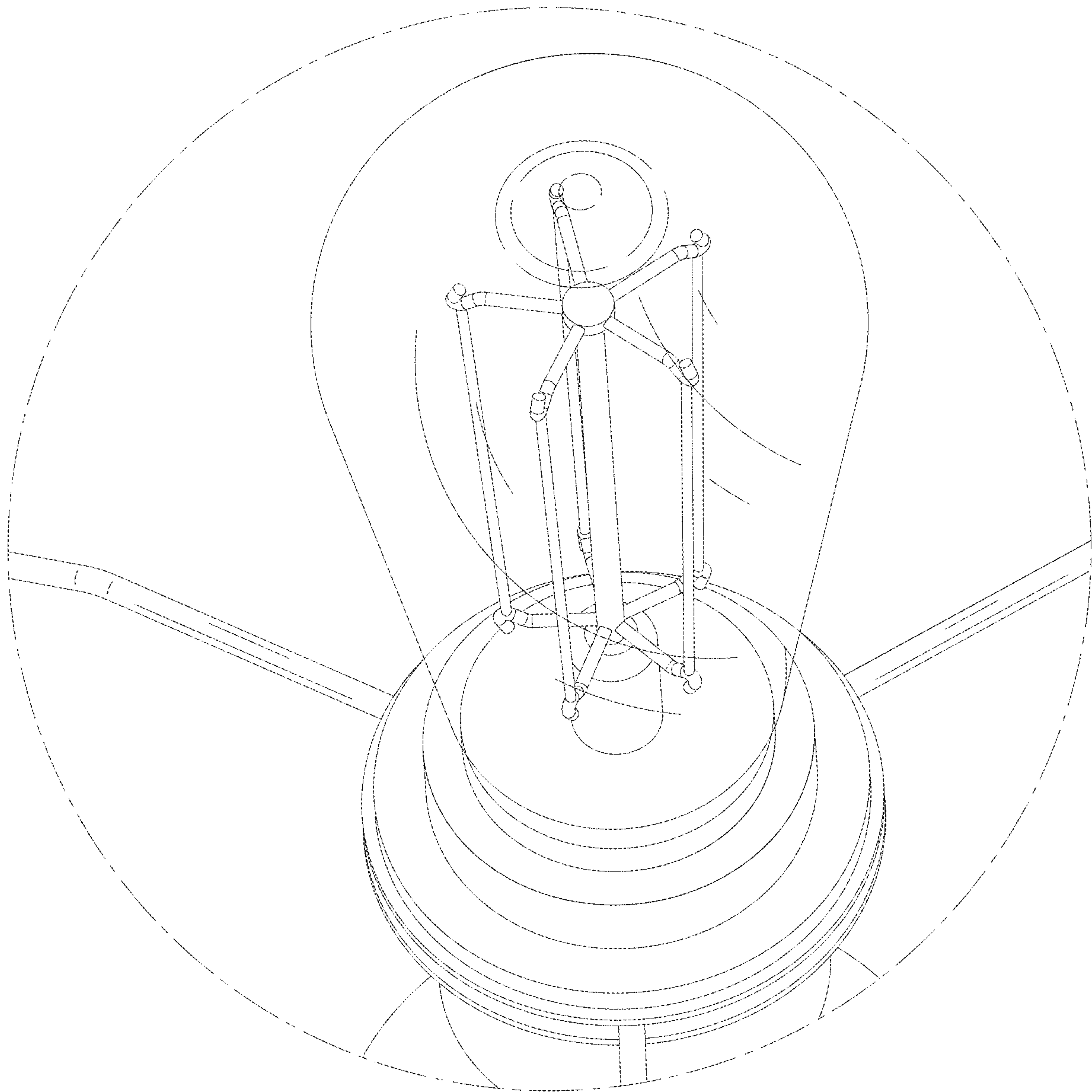


FIG. 11