



US00D965850S

(12) **United States Design Patent**
Huang

(10) **Patent No.:** **US D965,850 S**
(45) **Date of Patent:** **** Oct. 4, 2022**

(54) **DESK LAMP**

(71) Applicant: **ZHONGSHAN QIANMEI LIGHTING APPLIANCE CO., LTD.**,
Zhongshan (CN)

(72) Inventor: **Shengzhao Huang**, Zhongshan (CN)

(73) Assignee: **ZHONGSHAN QIANMEI LIGHTING APPLIANCE CO., LTD.**,
Zhongshan (CN)

(**) Term: **15 Years**

(21) Appl. No.: **29/796,348**

(22) Filed: **Jun. 23, 2021**

(51) **LOC (13) Cl.** **26-05**

(52) **U.S. Cl.**
USPC **D26/107**

(58) **Field of Classification Search**
USPC D26/24, 51, 56, 61, 63, 64, 65, 93, 94,
D26/100, 106, 107
CPC F21S 6/00; F21S 6/002; F21S 6/003; F21S
6/004; F21S 6/005; F21S 6/006; F21S
8/036; F21V 21/06; F21V 21/14; F21V
21/26; F21V 21/30

See application file for complete search history.

(56) **References Cited**

U.S. PATENT DOCUMENTS

D618,844 S *	6/2010	Huang	D26/107
D619,746 S *	7/2010	Huang	D26/65
D620,165 S *	7/2010	Huang	D26/65
D623,329 S *	9/2010	Huang	D26/63
D623,788 S *	9/2010	Huang	D26/65
D627,501 S *	11/2010	Lin	D26/65
D641,907 S *	7/2011	Lee	D26/65
D665,938 S *	8/2012	Kim	D26/63
D681,865 S *	5/2013	Lee	D26/107
D689,642 S *	9/2013	Huang	D26/63
D757,342 S *	5/2016	Cai	D26/107

D758,631 S *	6/2016	Cai	D26/63
D759,282 S *	6/2016	Lee	D26/65
D804,071 S *	11/2017	Xu	D26/63
D804,072 S *	11/2017	Xu	D26/63
D822,265 S *	7/2018	Tong	D26/107
D874,710 S *	2/2020	Tong	D26/93
D892,390 S	8/2020	Tong		
D907,837 S *	1/2021	Tang	D26/107
D911,589 S	2/2021	Huang		
D935,684 S *	11/2021	Wu	D26/107
D936,885 S *	11/2021	Yang	D26/63
D945,048 S *	3/2022	Zhou	D26/106
D950,138 S *	4/2022	Huang	D26/65
D952,236 S *	5/2022	Zhang	D26/93

(Continued)

OTHER PUBLICATIONS

Amazon.com, Fugetek LED Desk Office Lamp with Wireless Charger & USB Charging Port, Nov. 2, 2021, <https://www.amazon.com/Fugetek-Wireless-Charging-Lighting-Eye-Caring/dp/B09KRQ1X9T/> (Year: 2021).*

Primary Examiner — Nathan M Johnston

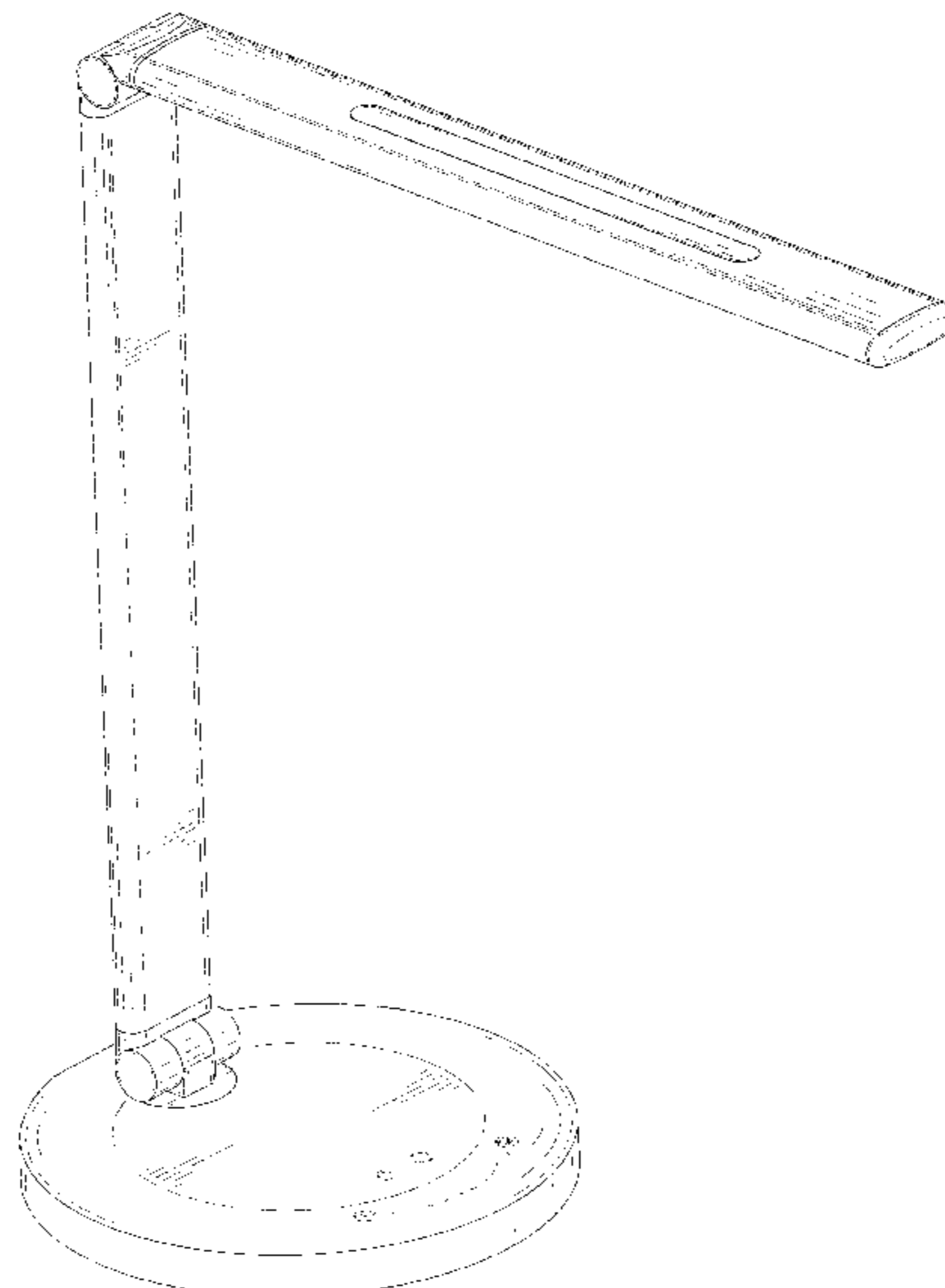
(57) **CLAIM**

The ornamental design for a desk lamp, as shown and described.

DESCRIPTION

FIG. 1 is a perspective view of a desk lamp showing my new design;
FIG. 2 is another perspective view thereof;
FIG. 3 is a front elevational view thereof;
FIG. 4 is a rear elevational view thereof;
FIG. 5 is a left side elevational view thereof;
FIG. 6 is a right side elevational view thereof;
FIG. 7 is a top plan view thereof; and,
FIG. 8 is a bottom plan view thereof.
The broken lines in the drawings depict portions of the desk lamp that form no part of the claimed design.

1 Claim, 8 Drawing Sheets



(56)

References Cited

U.S. PATENT DOCUMENTS

2009/0180284 A1* 7/2009 Lin F21S 6/003
362/294
2010/0296279 A1* 11/2010 Ko F21S 6/003
362/231
2018/0058647 A1* 3/2018 He F21V 21/116

* cited by examiner

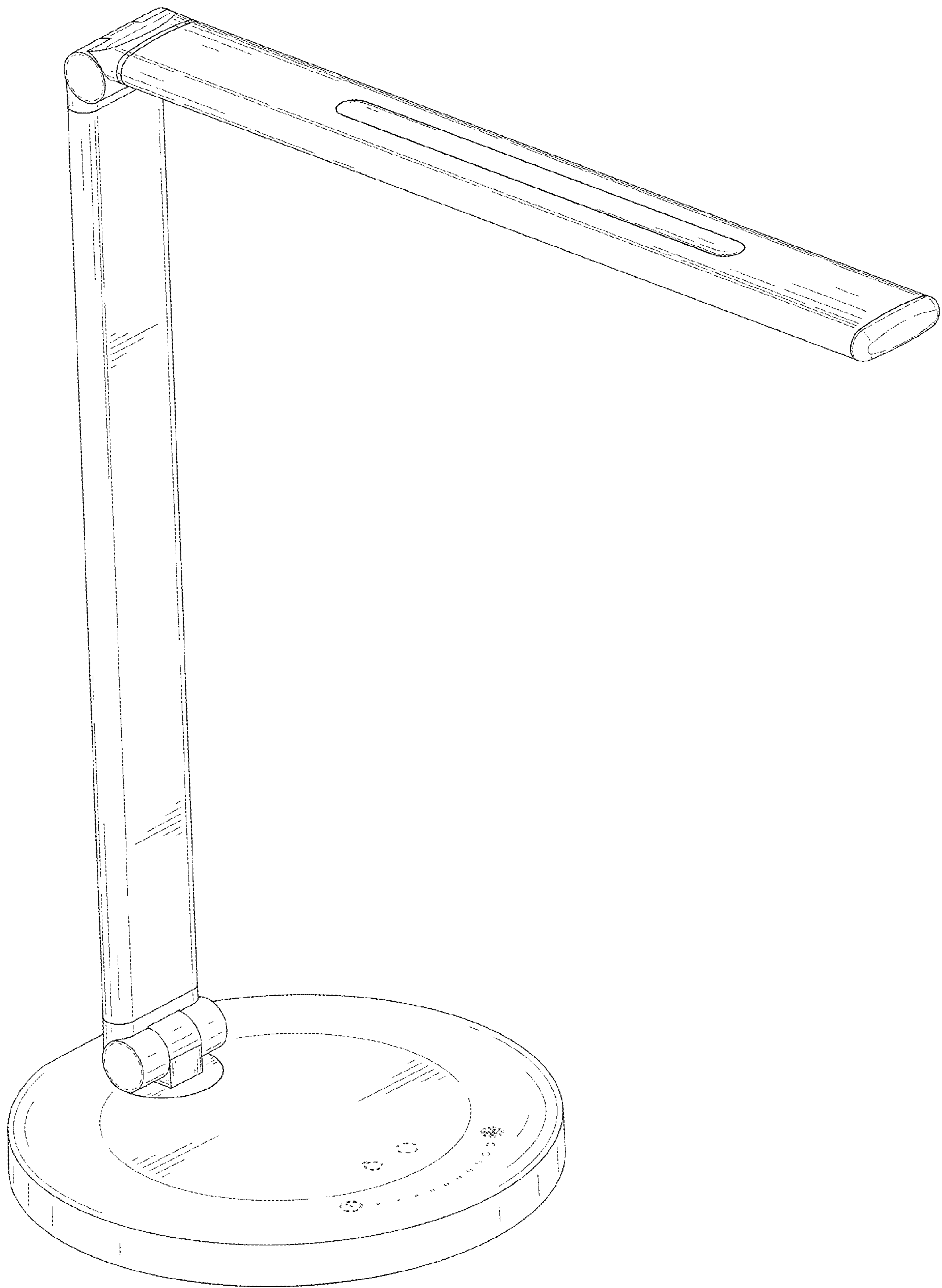


FIG. 1

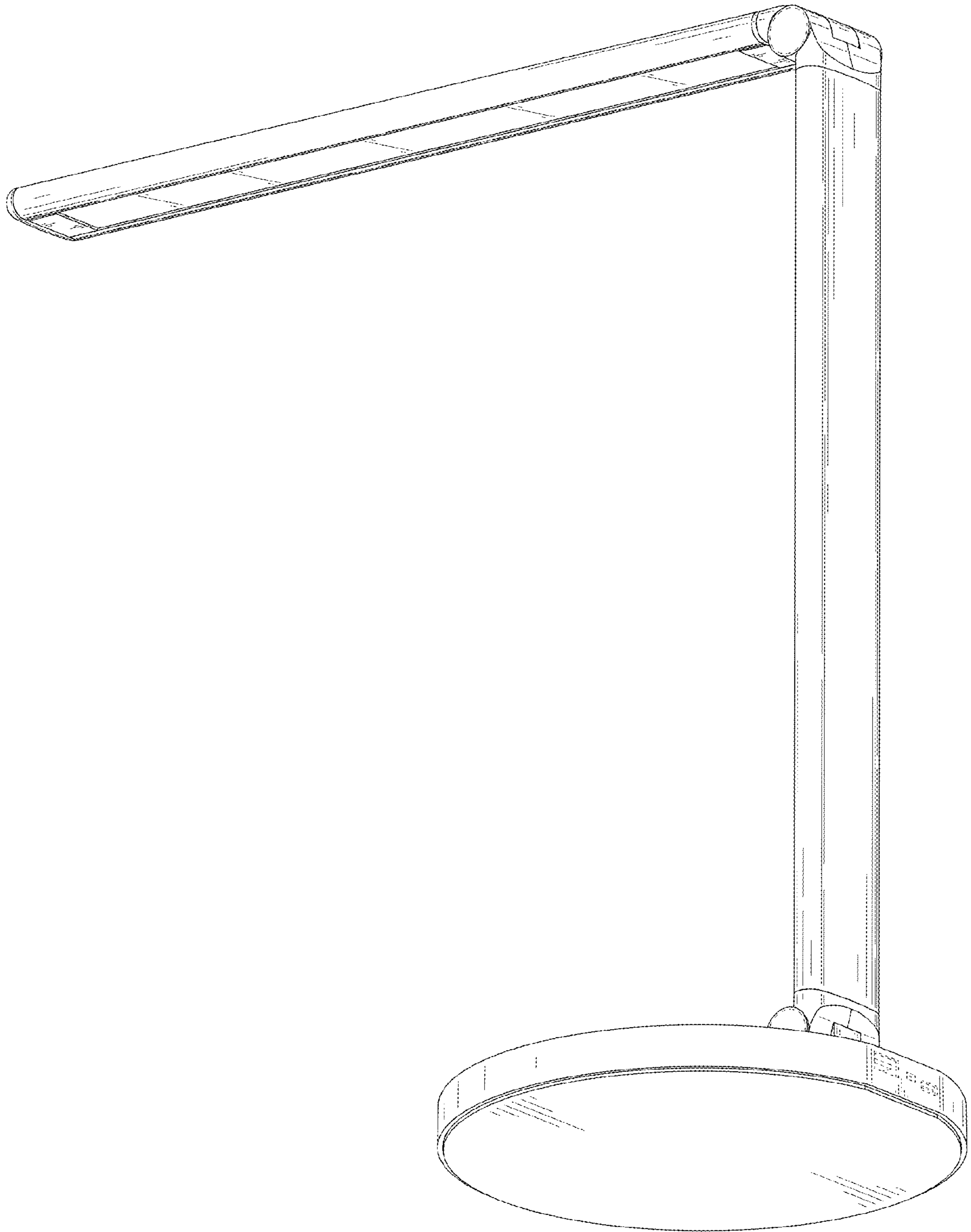


FIG. 2

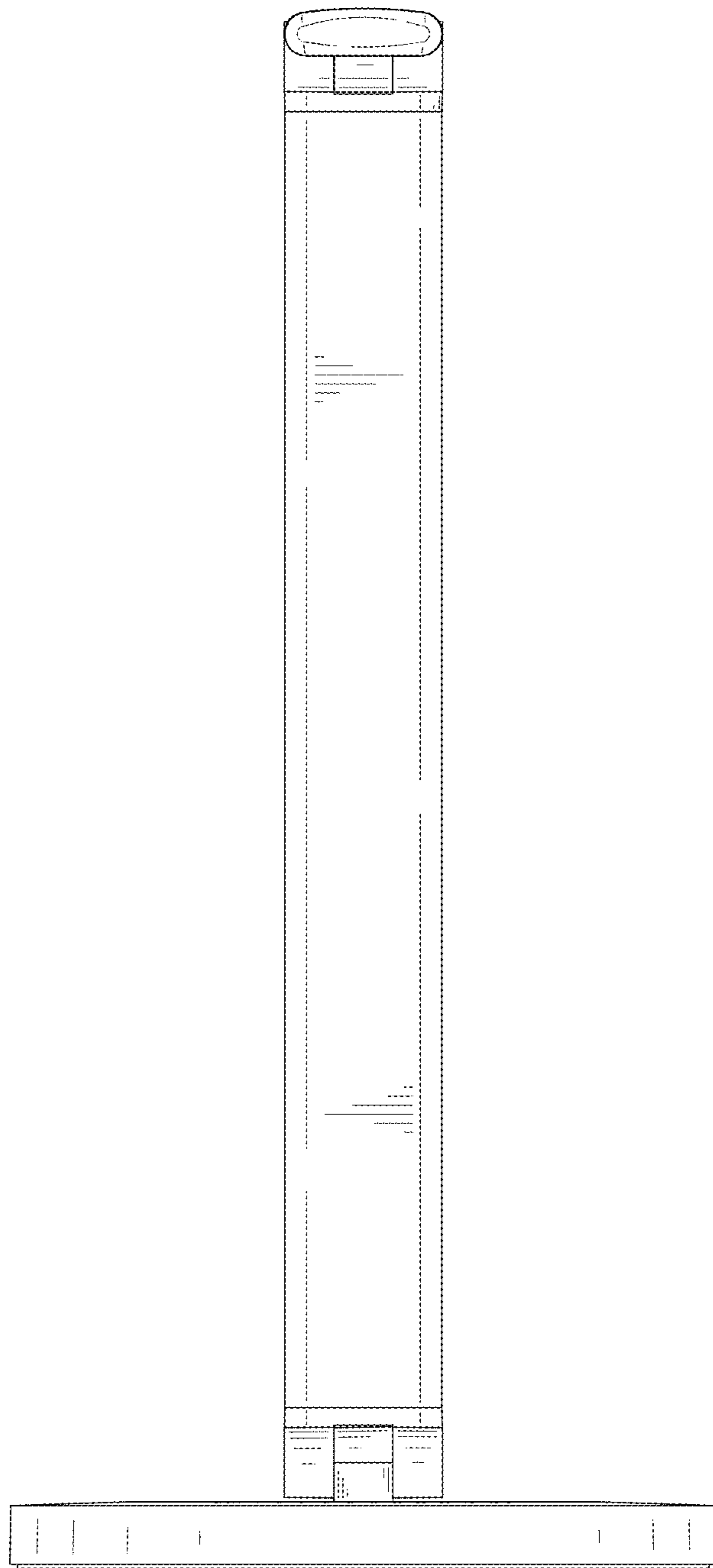


FIG. 3

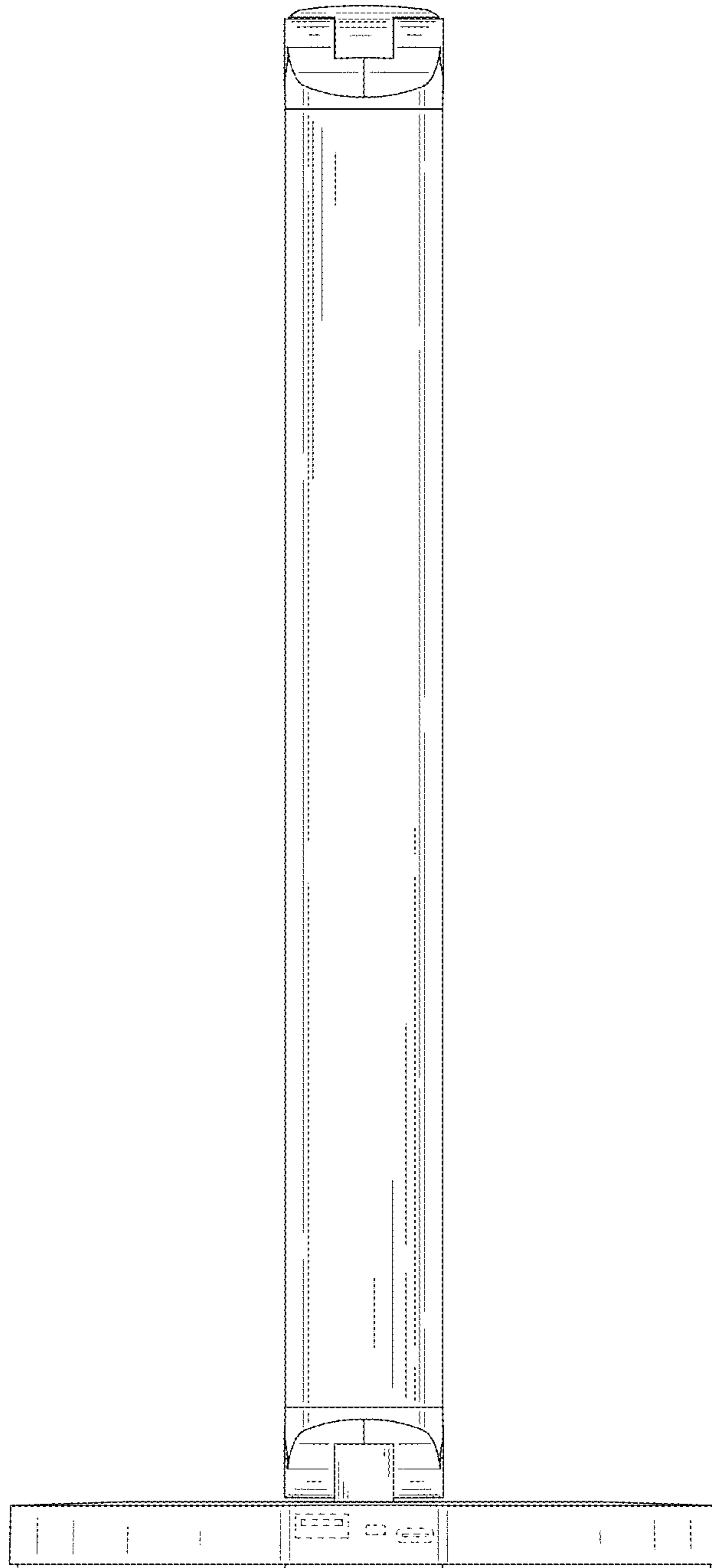


FIG. 4

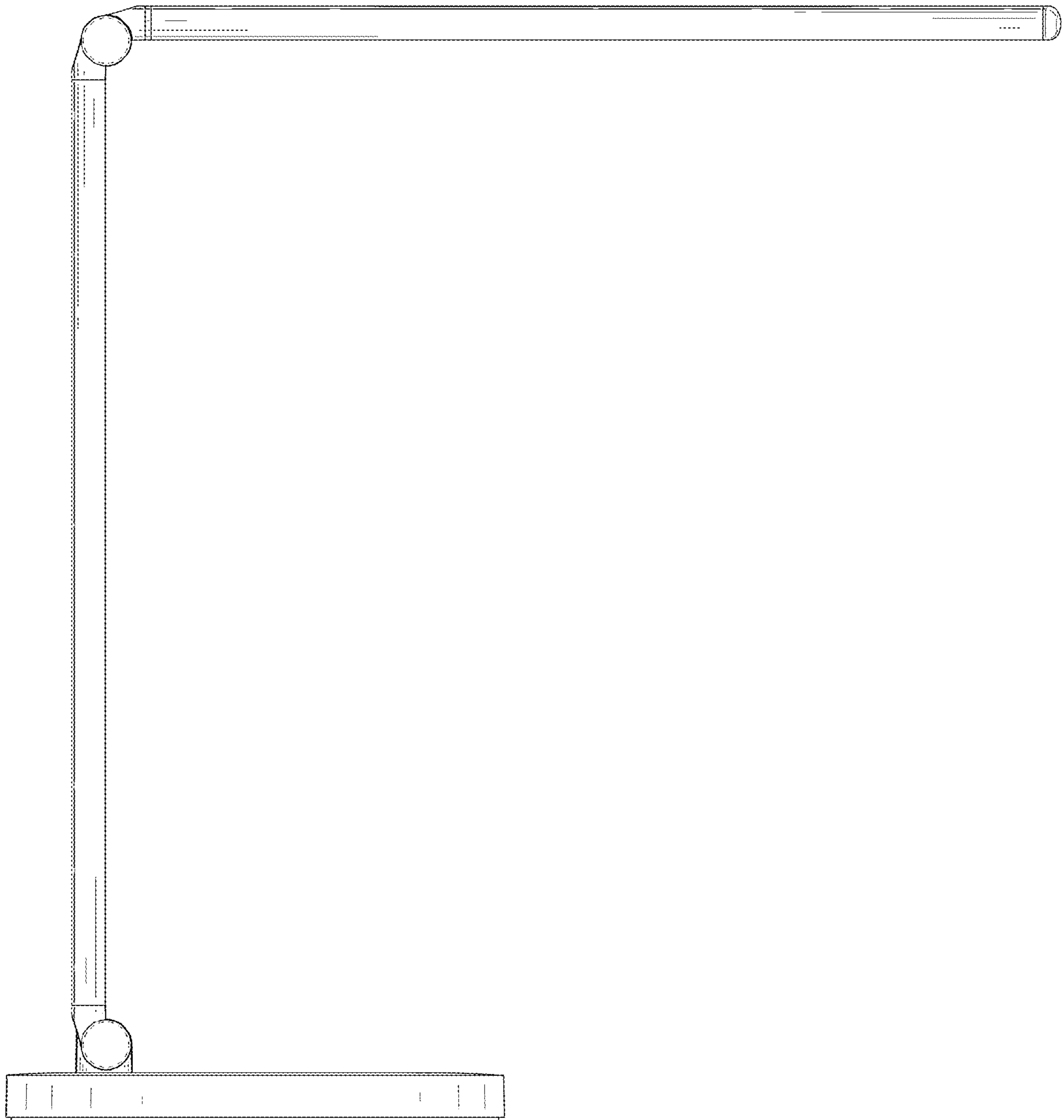


FIG. 5

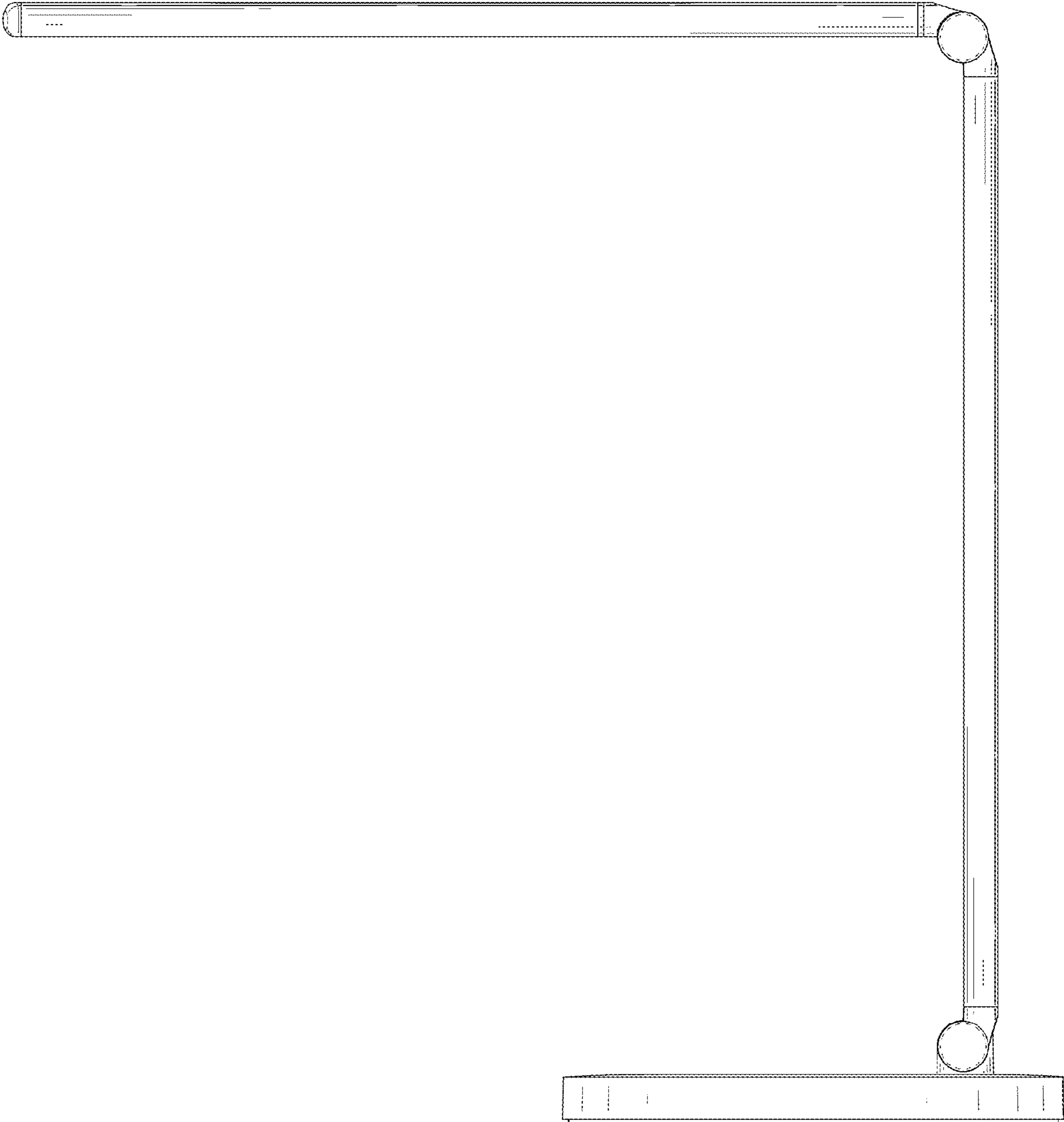


FIG. 6

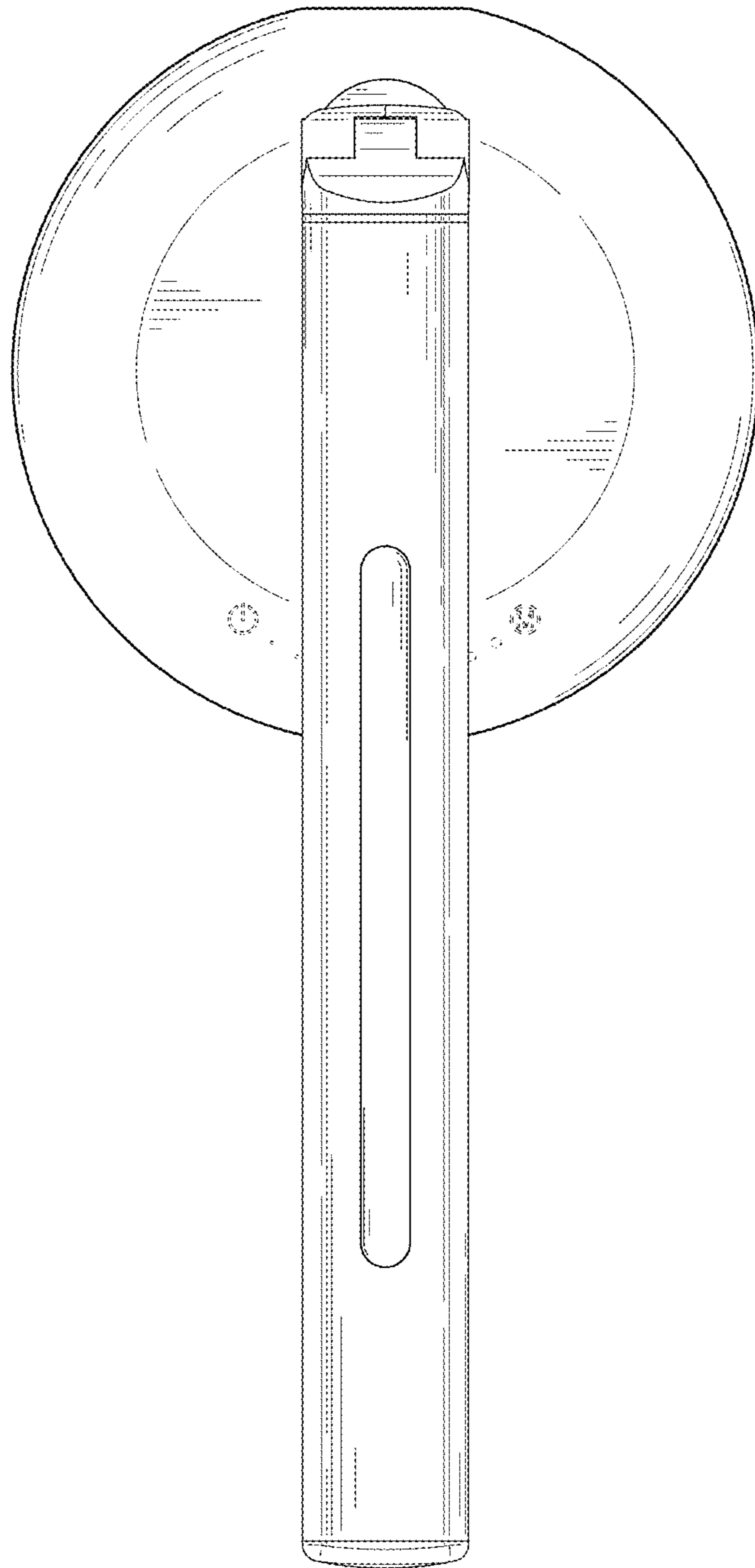


FIG. 7

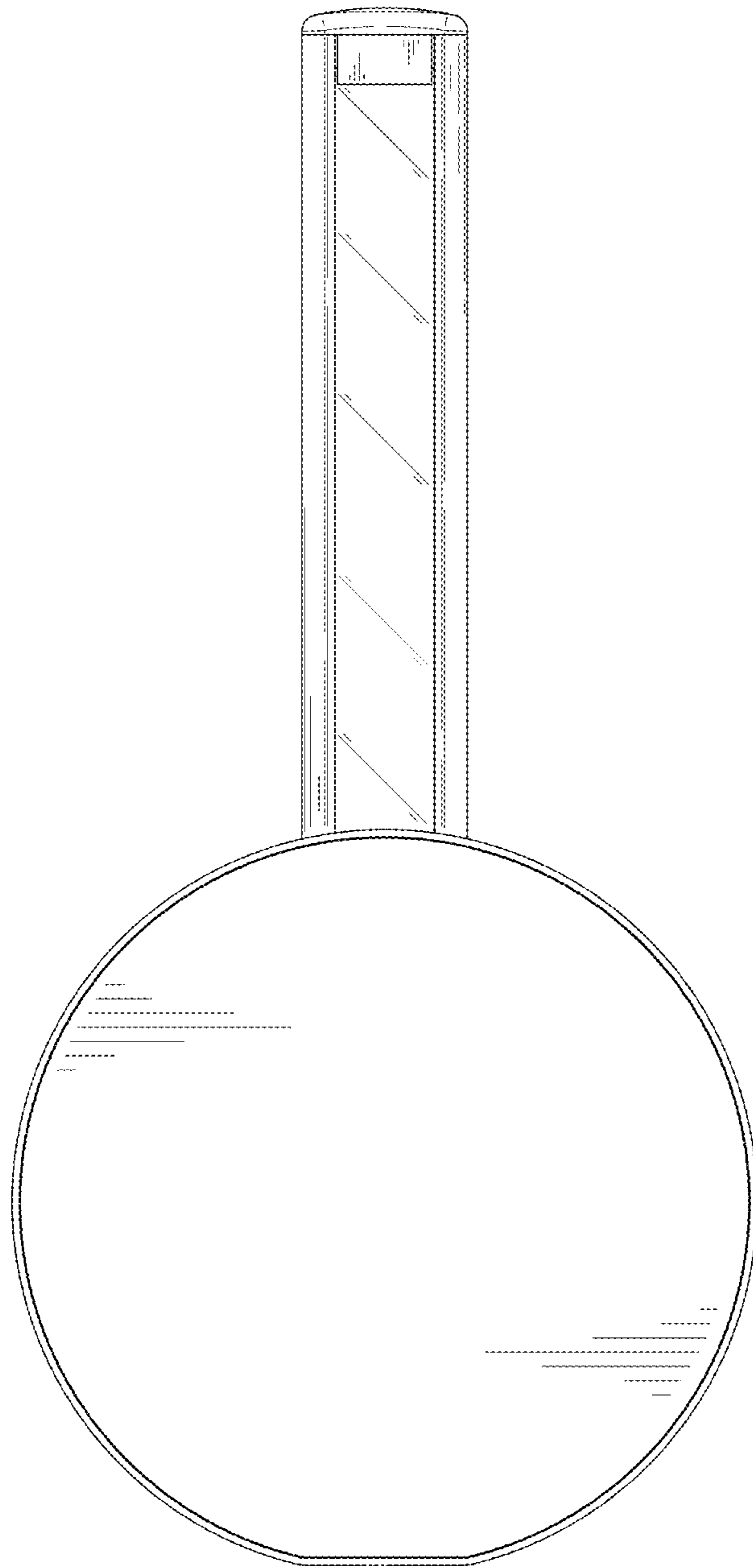


FIG. 8