

US00D965849S

(12) **United States Design Patent**
Li

(10) **Patent No.:** **US D965,849 S**

(45) **Date of Patent:** **** Oct. 4, 2022**

(54) **FLOOR LAMP**

(71) Applicant: **SHENZHEN LEMON SUMMER TECHNOLOGY CO., LIMITED**, Shenzhen (CN)

(72) Inventor: **Zhidan Li**, Shenzhen (CN)

(73) Assignee: **SHENZHEN LEMON SUMMER TECHNOLOGY CO., LIMITED**, Shenzhen (CN)

D594,588 S *	6/2009	Fanning	D26/93
D800,953 S	10/2017	Zandee		
D846,789 S *	4/2019	Barber	D26/88
D851,323 S *	6/2019	Barber	D26/93
D855,230 S *	7/2019	Zhang	D26/63
D881,442 S *	4/2020	Jiang	D26/110
D883,557 S *	5/2020	Herremans	D26/106
D905,321 S	12/2020	Tang et al.		
D915,650 S *	4/2021	Kujawa	D26/61
D943,689 S *	2/2022	Ren	D21/686
D953,607 S *	5/2022	Chen	D26/93
D956,320 S *	6/2022	Griffin	D26/102
D957,036 S *	7/2022	Levy	F21S 8/03 D26/93

(**) Term: **15 Years**

* cited by examiner

(21) Appl. No.: **29/785,258**

Primary Examiner — Wan Laymon

(22) Filed: **May 25, 2021**

Assistant Examiner — Clint A Samuel

(51) **LOC (13) Cl.** **26-05**

(52) **U.S. Cl.**

USPC **D26/106; D26/93**

(58) **Field of Classification Search**

USPC D26/24, 61, 62, 66, 76, 85, 93, 102, 105, D26/106, 107, 108, 118

CPC .. F21S 6/002; F21S 6/003; F21S 6/004; F21S 6/005; F21S 6/006; F21S 6/007; F21S 8/00; F21S 8/032; F21S 10/00; F21S 10/02; F21S 10/06; F21S 10/007; F21W 2131/30; F21W 2131/301; F21V 21/00; F21V 21/02; F21V 21/06

See application file for complete search history.

(56) **References Cited**

U.S. PATENT DOCUMENTS

D532,145 S *	11/2006	Goetz-Schaefer	D26/106
D557,855 S *	12/2007	Schrade	D26/106

(57) **CLAIM**

The ornamental design for a floor lamp, as shown and described.

DESCRIPTION

FIG. 1 is a perspective view of a floor lamp showing my new design;

FIG. 2 is another perspective view thereof;

FIG. 3 is a front elevational view thereof;

FIG. 4 is a rear elevational view thereof;

FIG. 5 is a left side elevational view thereof;

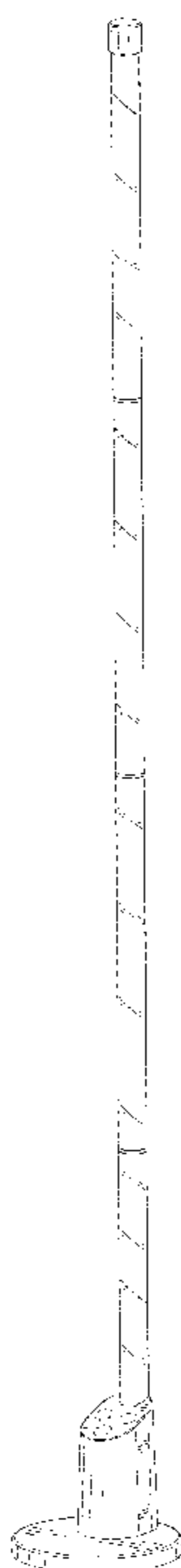
FIG. 6 is a right side elevational view thereof;

FIG. 7 is a top plan view thereof; and,

FIG. 8 is a bottom plan view thereof.

The broken lines in the drawings depict portions of the floor lamp that form no part of the claimed design.

1 Claim, 8 Drawing Sheets



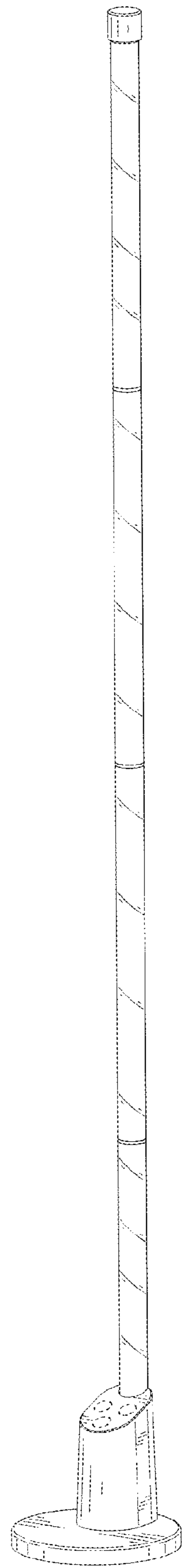


FIG. 1

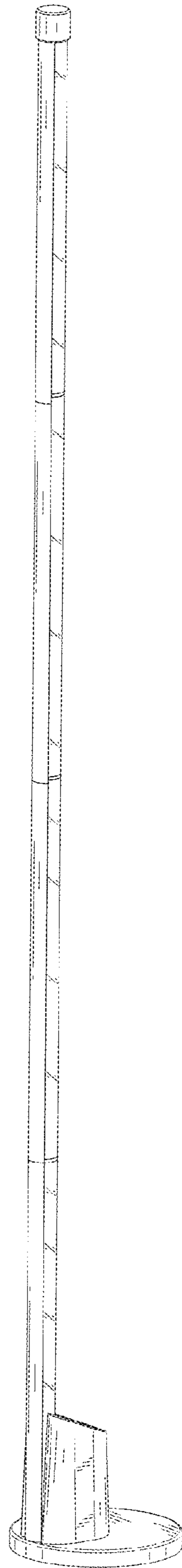


FIG. 2

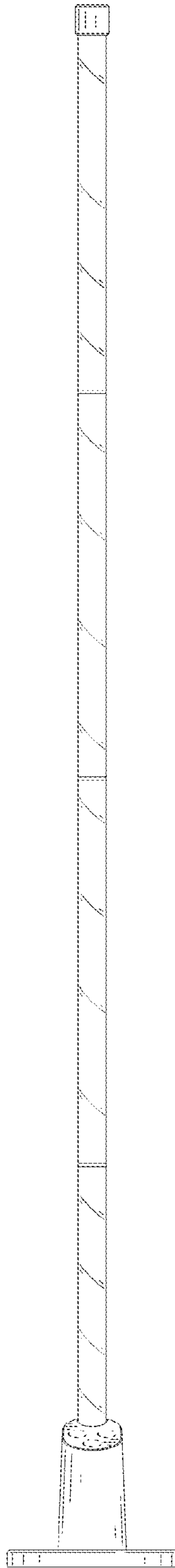


FIG. 3

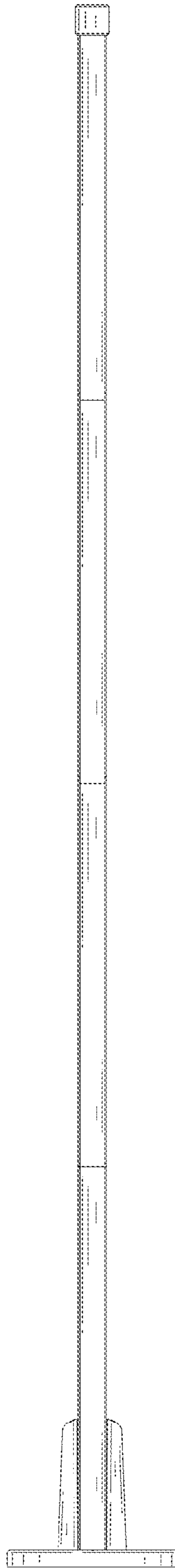


FIG. 4

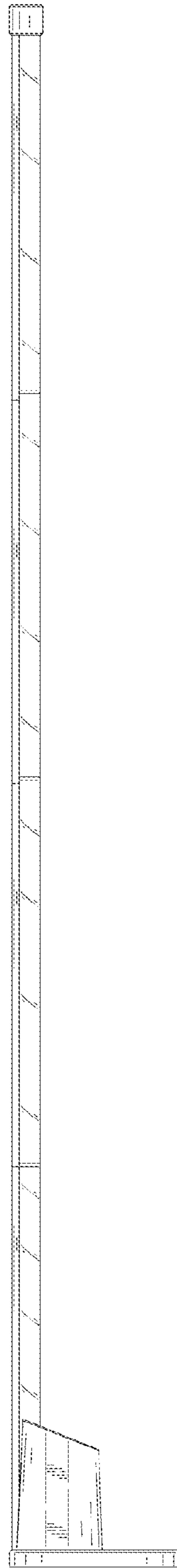


FIG. 5

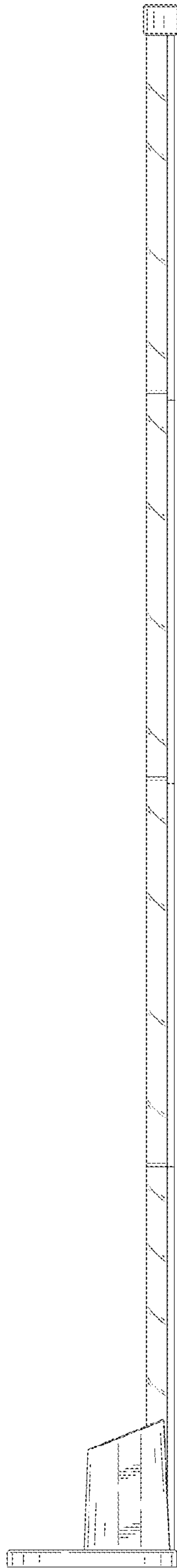


FIG. 6

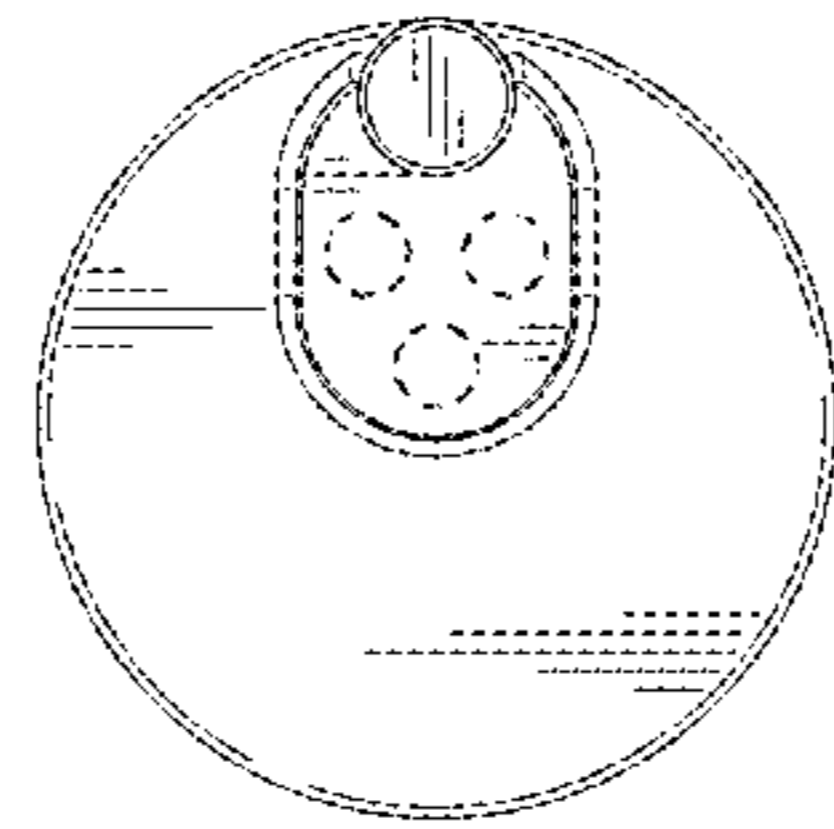


FIG. 7

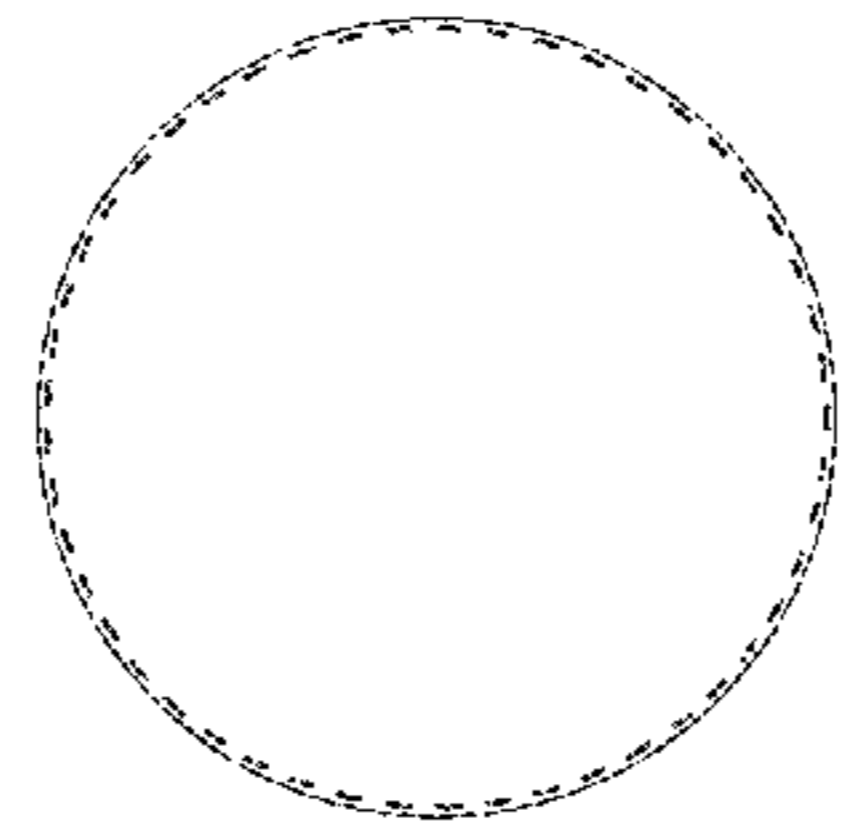


FIG. 8