



US00D965843S

(12) **United States Design Patent** (10) **Patent No.:** **US D965,843 S**  
**Diez** (45) **Date of Patent:** **\*\* Oct. 4, 2022**

(54) **LAMP**  
(71) Applicant: **VIBIA LIGHTING, S.L.U.**, Gava (ES)  
(72) Inventor: **Stefan Diez**, Munich (DE)  
(73) Assignee: **VIBIA LIGHTING, S.L.U.**, Gavà (ES)  
(\*\*) Term: **15 Years**  
(21) Appl. No.: **35/511,471**  
(22) Filed: **Nov. 6, 2020**  
(80) **Hague Agreement Data**  
Int. Filing Date: **Nov. 6, 2020**  
Int. Reg. No.: **DM/212779**  
Int. Reg. Date: **Nov. 6, 2020**  
Int. Reg. Pub. Date: **Feb. 26, 2021**

(30) **Foreign Application Priority Data**  
May 8, 2020 (EM) ..... 007875539-0004  
(51) **LOC (13) Cl.** ..... **26-05**  
(52) **U.S. Cl.**  
USPC ..... **D26/76**  
(58) **Field of Classification Search**  
USPC ..... D26/24, 25, 60, 61, 72, 75, 76, 78, 82,  
D26/83, 85, 87, 88, 89, 90, 118, 128  
CPC ..... F21S 4/00; F21S 4/10; F21S 4/15; F21S  
4/20; F21S 4/24; F21S 4/26; F21S 8/02;  
F21S 8/04; F21S 8/06; F21S 8/026; F21S  
8/033; F21S 8/038; F21S 8/061; F21S  
8/063; F21S 8/066  
See application file for complete search history.

(56) **References Cited**  
U.S. PATENT DOCUMENTS  
D604,447 S \* 11/2009 Klaus ..... D26/78  
D627,915 S \* 11/2010 Pei ..... D26/76  
D629,553 S \* 12/2010 Gielen ..... D26/76  
D695,942 S \* 12/2013 Ng ..... D26/75

D840,086 S \* 2/2019 Deng ..... D26/76  
D878,657 S \* 3/2020 Carini ..... D26/76  
D885,389 S \* 5/2020 Sawabe ..... D14/453  
11,112,075 B2 \* 9/2021 Li ..... F21S 2/005  
(Continued)

**FOREIGN PATENT DOCUMENTS**

WO RGN\_D212779-001 \* 2/2021

**OTHER PUBLICATIONS**

Vibia\_Presents Iconic Chandeliers (available online) Retrieved from the internet Mar. 9, 2022 from URL: <https://www.vibia.com/us/vibia-presents-iconic-chandeliers/>.\*

*Primary Examiner* — Richard Kearney  
(74) *Attorney, Agent, or Firm* — McCormick, Paulding & Huber PLLC

(57) **CLAIM**

The ornamental design for a lamp, as shown and described.

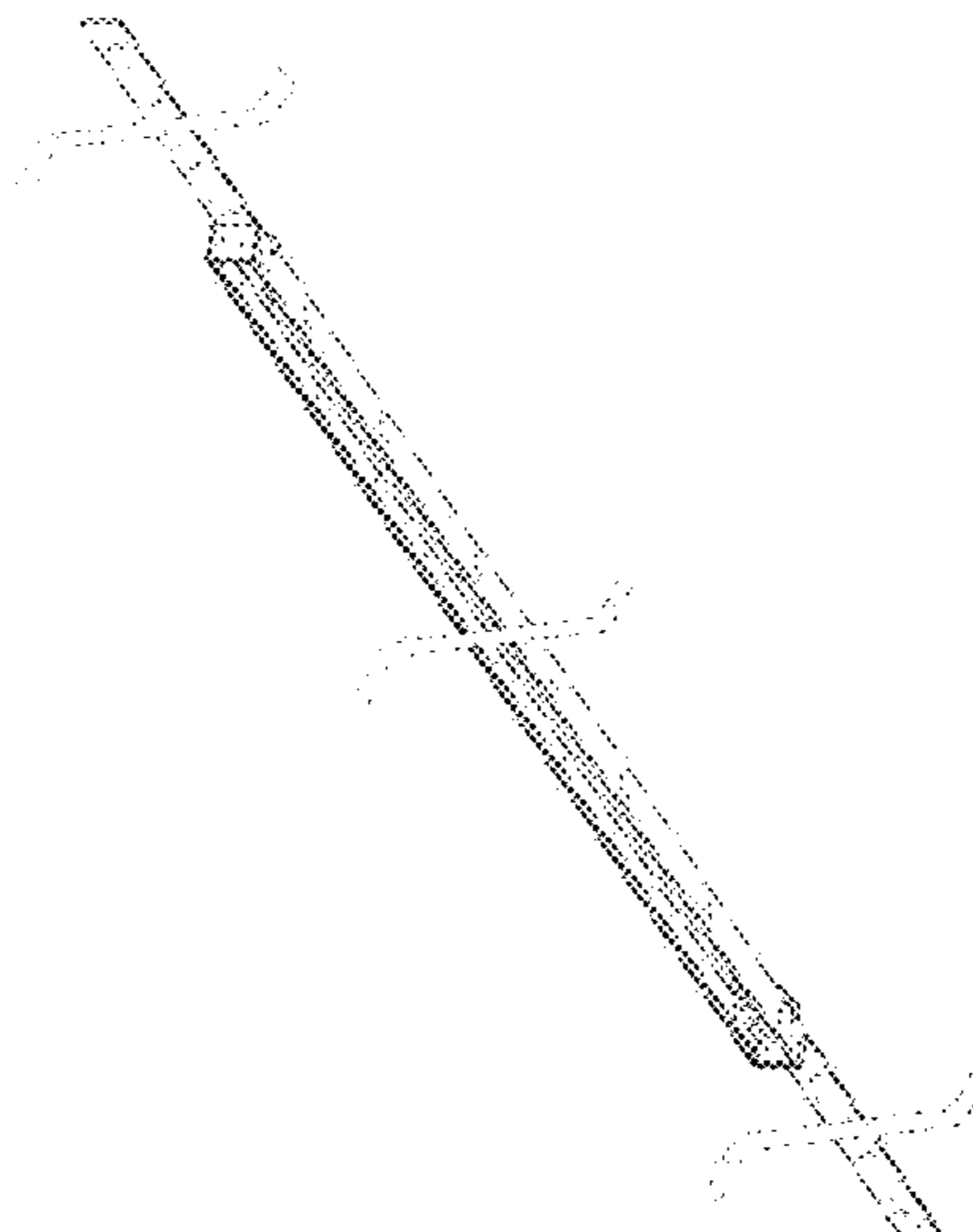
**DESCRIPTION**

- 1. Lamp
- 1.1 : Perspective
- 1.2 : Perspective
- 1.3 : Perspective
- 1.4 : Bottom
- 1.5 : Front
- 1.6 : Top
- 1.7 : Left
- 1.8 : Right

In Figure 1.3 the lamp is shown with the band dismounted; the broken lines in the drawings illustrate break lines which form no part of the claimed design; the break lines indicate that the appearance of any portion of the lamp between the break lines forms no part of the claimed design.

In Figures 1.2 and 1.4, in addition to the broken lines illustrating break lines, broken lines are shown that illustrate portions of the lamp that form no part of the claimed design.

**1 Claim, 8 Drawing Sheets**



(56)

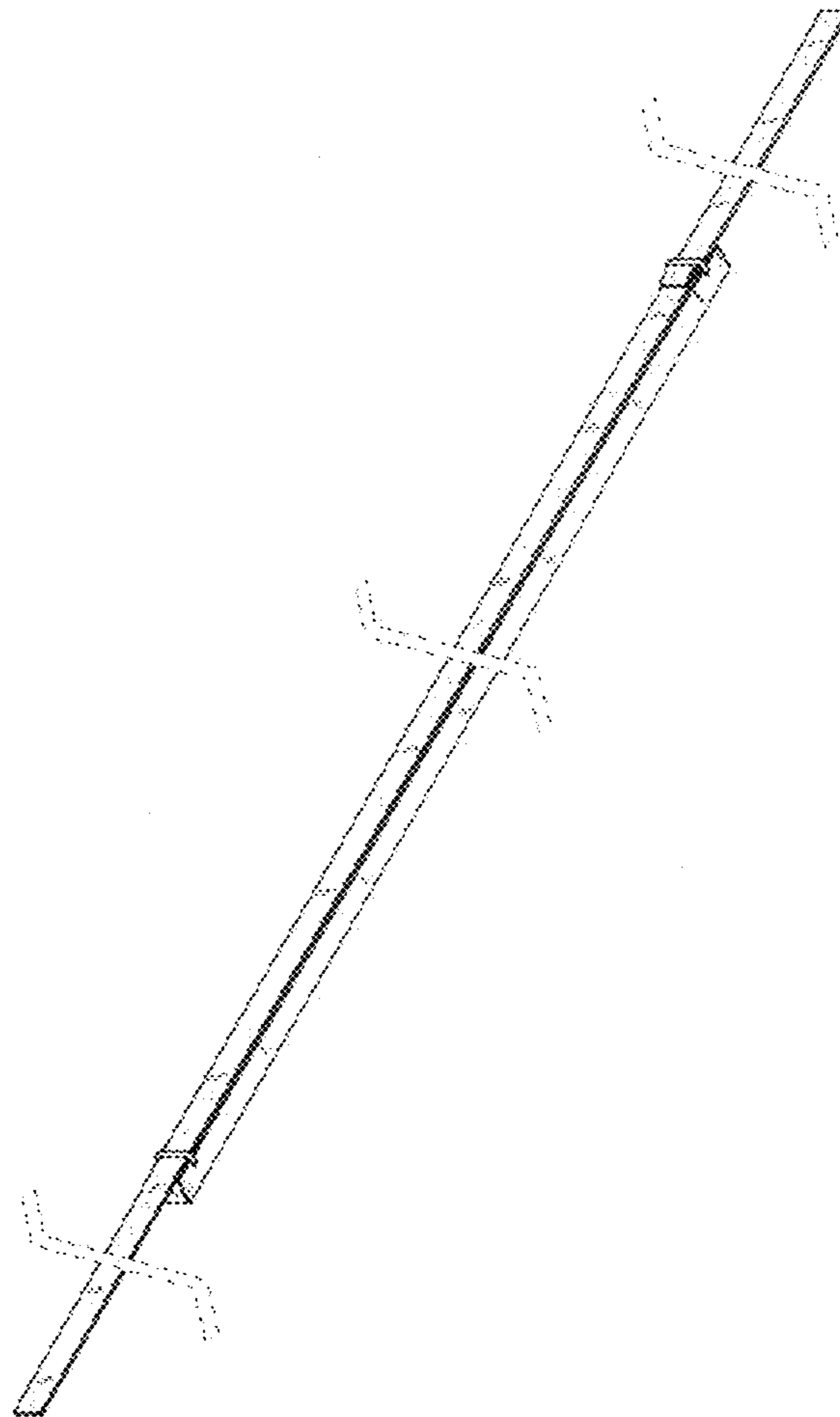
**References Cited**

U.S. PATENT DOCUMENTS

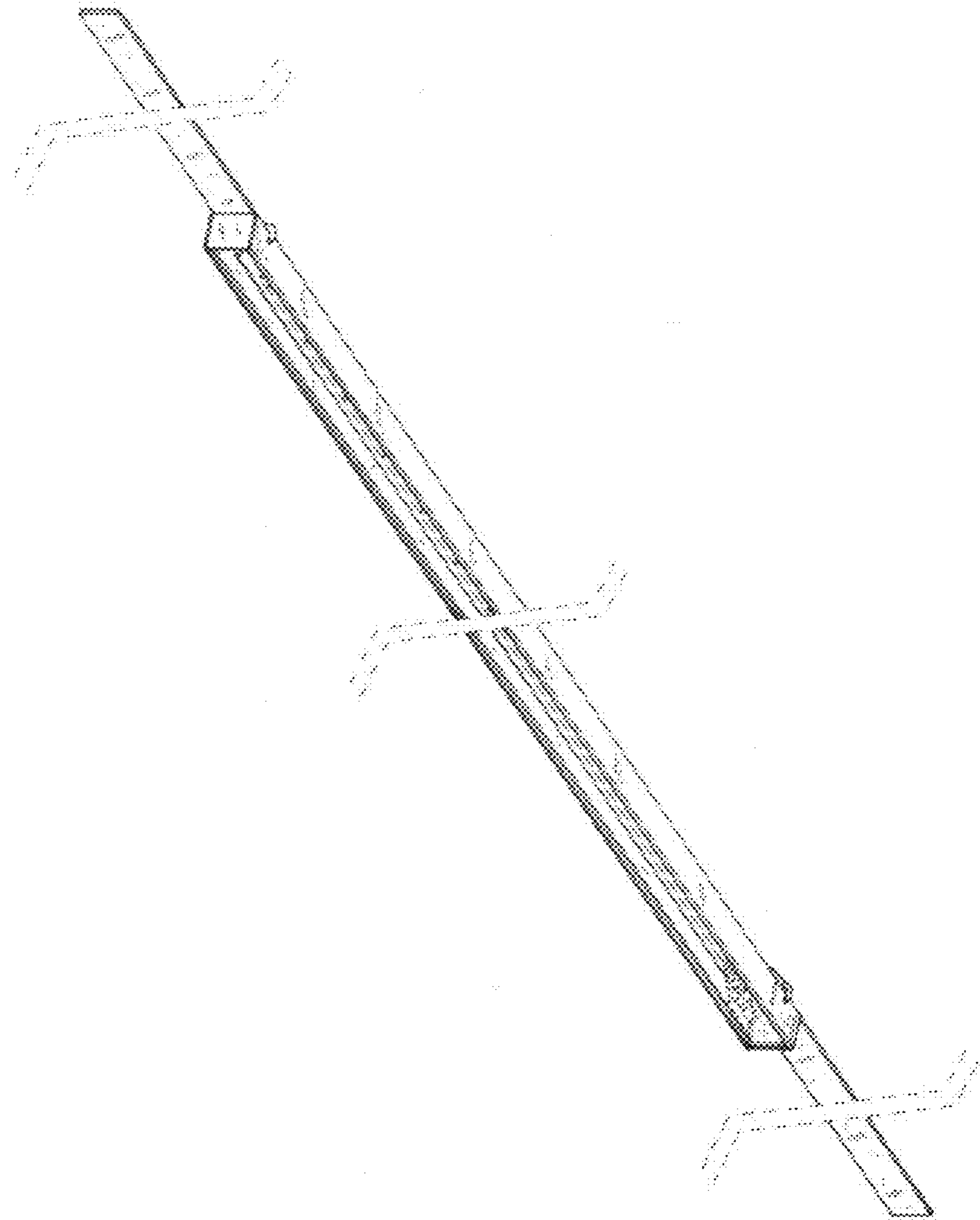
D943,798	S	*	2/2022	Santos	.....	D26/90
D945,043	S	*	3/2022	Chen	.....	D26/76
D945,297	S	*	3/2022	Shen	.....	D26/35
D950,826	S	*	5/2022	Levy	.....	D26/72
D955,610	S	*	6/2022	Diez	.....	D26/85
2017/0198892	A1	*	7/2017	Sonneman	.....	F21V 17/12
2020/0340652	A1	*	10/2020	Chen	.....	F21V 23/0464
2021/0025557	A1	*	1/2021	Leonardo	.....	F21S 8/068
2021/0222846	A1	*	7/2021	Hsu	.....	F16M 13/02

\* cited by examiner

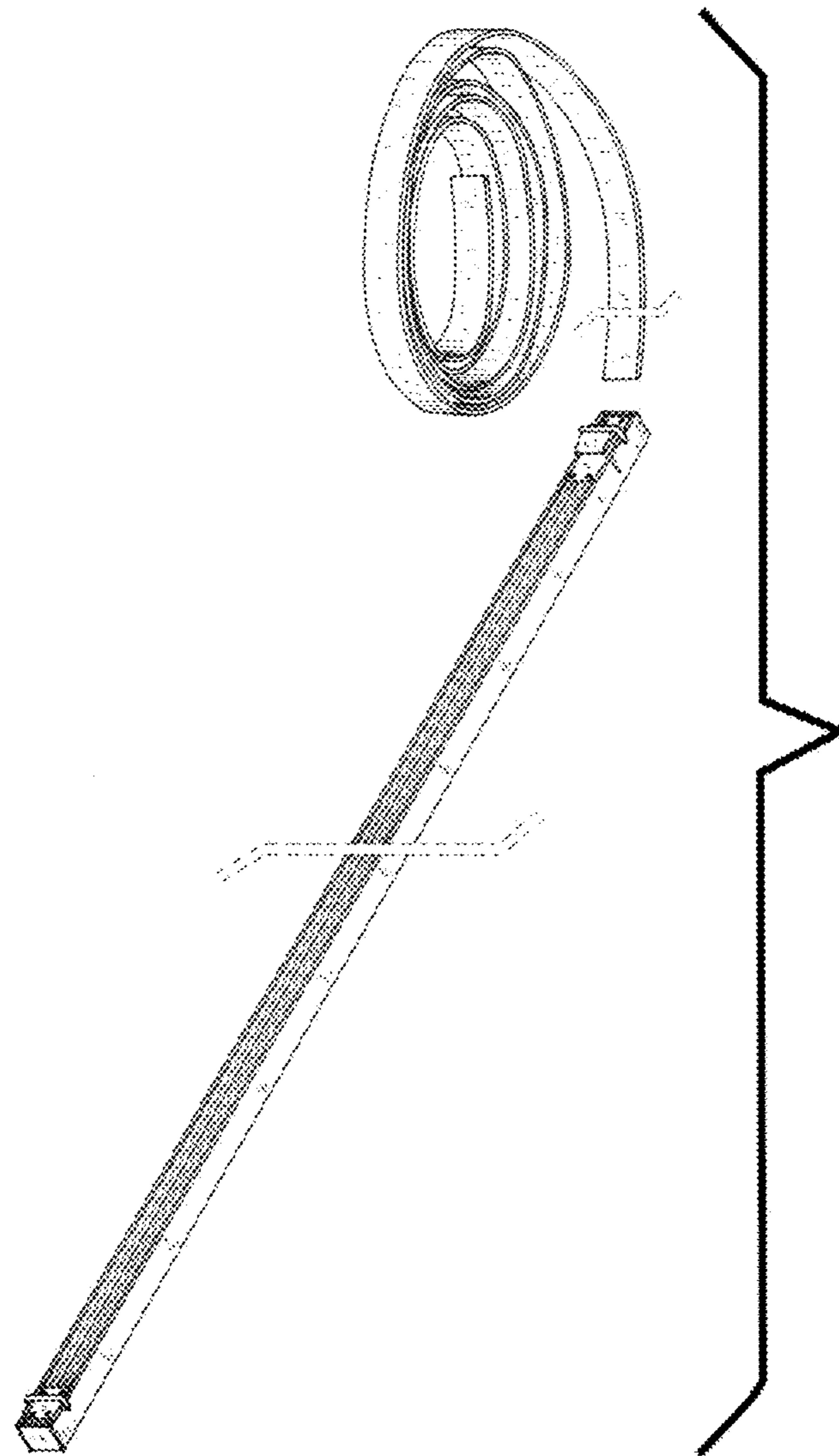
1.1



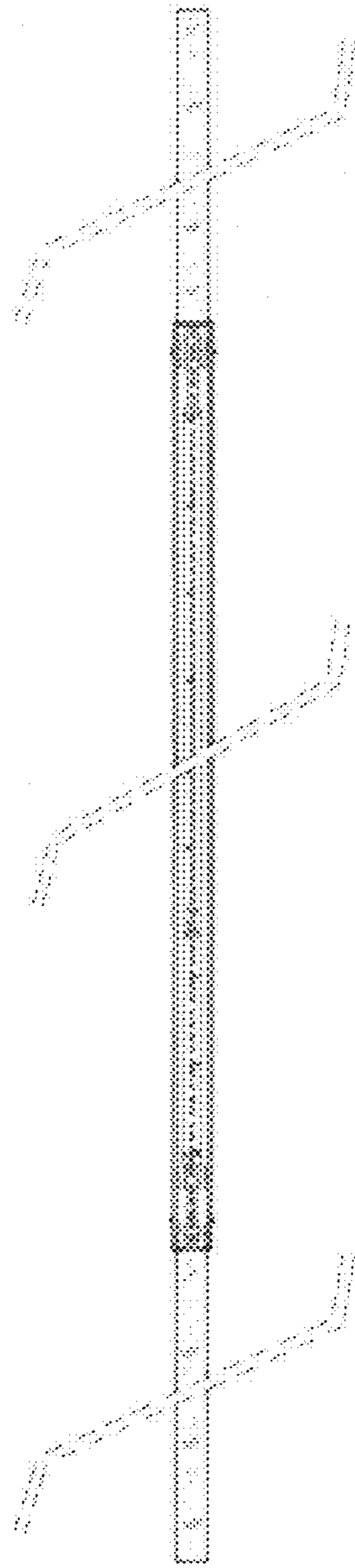
1.2



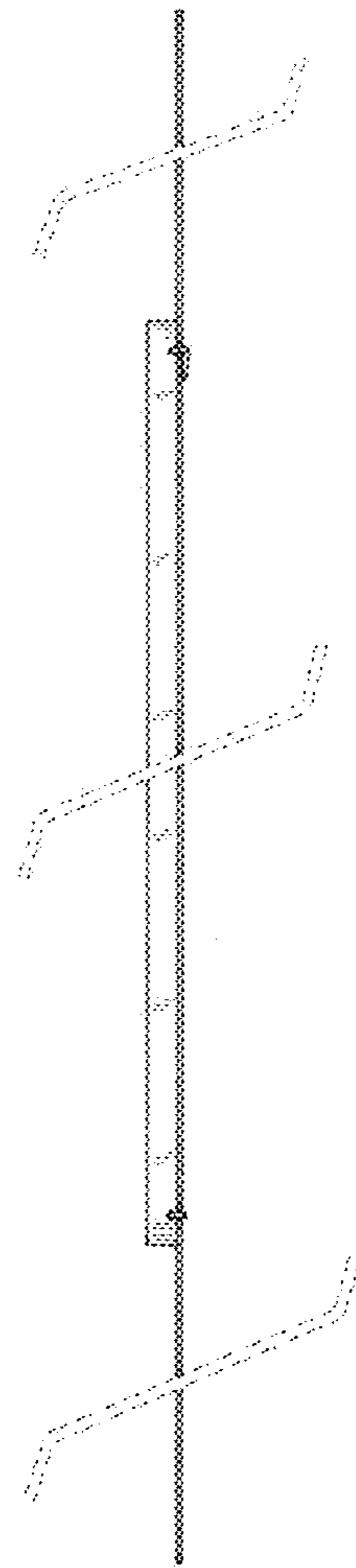
1.3



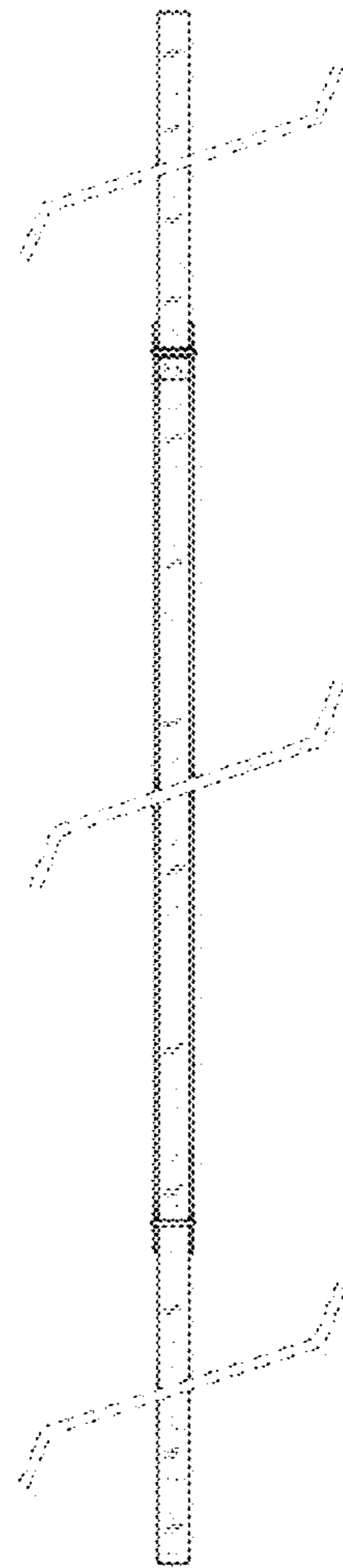
1.4



1.5



1.6





**1.7**



**1.8**

