



US00D965842S

(12) **United States Design Patent** (10) **Patent No.:** **US D965,842 S**
Zhao (45) **Date of Patent:** **** Oct. 4, 2022**

(54) **LANTERN**

(71) Applicant: **HaiHong Zhao**, Bazhong (CN)

(72) Inventor: **HaiHong Zhao**, Bazhong (CN)

(**) Term: **15 Years**

(21) Appl. No.: **29/797,138**

(22) Filed: **Jun. 29, 2021**

(51) **LOC (13) Cl.** **26-05**

(52) **U.S. Cl.**
USPC **D26/67; D26/40**

(58) **Field of Classification Search**
USPC D26/40, 41, 67, 68, 85, 92, 131, 135
CPC F21S 8/03; F21S 8/033; F21S 8/036; F21S
8/081; F21S 9/037; F21W 2111/02;
F21W 2111/023; F21W 2132/109; F21W
2131/109
See application file for complete search history.

(56) **References Cited**

U.S. PATENT DOCUMENTS

D105,656 S *	8/1937	Federico	D26/40
D640,406 S *	6/2011	Harshaw	D26/67
D706,968 S	6/2014	McDonough et al.		
D745,799 S *	12/2015	Lipson	D7/319
D816,250 S	4/2018	Wang		
D899,644 S	10/2020	Dorman		
D914,936 S	3/2021	Bertken		
D914,939 S	3/2021	Zhu		
D919,155 S	5/2021	Luo		
D922,639 S	6/2021	Sun		
D923,221 S	6/2021	Yan		
D923,837 S *	6/2021	Ye	D26/40
D938,081 S *	12/2021	Li	D26/41
D947,434 S *	3/2022	Li	D26/67
D952,932 S *	5/2022	Sun	D26/98

OTHER PUBLICATIONS

2-Pack Yeuago Hanging Outdoor Solar Lanterns ASIN: B08ZHTGNC6. Available from amazon.com Apr. 15, 2021. (Year: 2021).*
YUEFA Solar Mason Jar Lights, ASIN: B08YNR7B2X. Available from amazon.com Mar. 11, 2021. (Year: 2021).*
YJFWAL2 Pack Solar Outdoor Lanterns ASIN: B094QRS2TC. Available from amazon.com Jun. 18, 2021. (Year: 2021).*
Yeuago 2 Pack Outdoor Ground Plug Solar Lights ASIN: B092DSS2M7. Available from amazon.com May 21, 2021. (Year: 2021).*
MLAMBERT Solar Hanging Mason Jar Lights, ASIN: B09H6W4K3R. Available from amazon.com Jan. 16, 2022. (Year: 2022).*
Dog and Butterfly Solar Lantern Fairy Lights, available from iheartdogs.com as early as Aug. 12, 2022. (Year: 2022).*
MORESTAR Solar Hanging Lantern, ASIN: B091MZ6M7M. Available from amazon.com May 10, 2021. (Year: 2021).*

* cited by examiner

Primary Examiner — Clare E Hefflin
(74) *Attorney, Agent, or Firm* — iPA & iPM

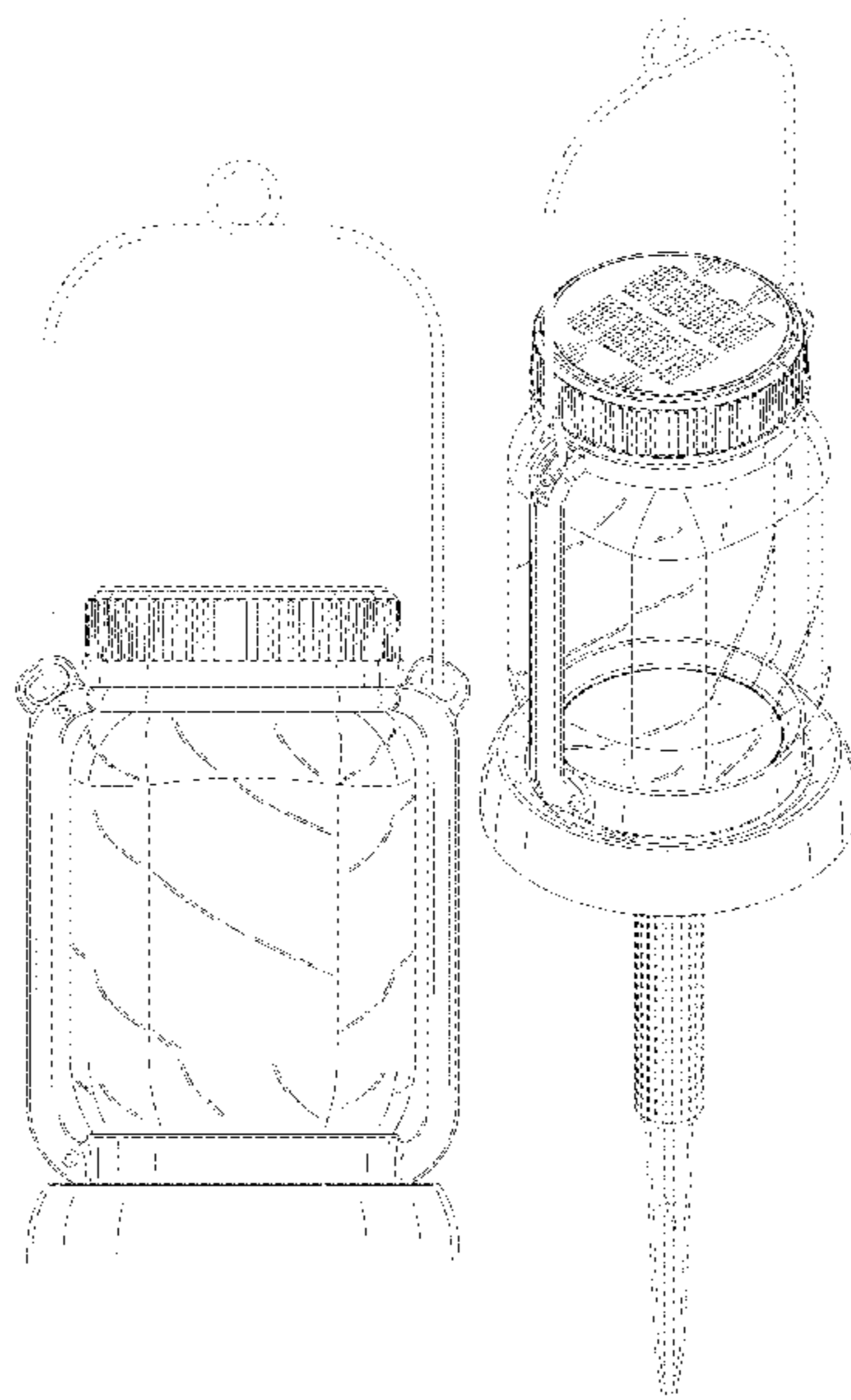
(57) **CLAIM**

The ornamental design for a lantern, as shown and described.

DESCRIPTION

FIG. 1 is a perspective view from above of a lantern showing my new design;
FIG. 2 is a perspective view from below thereof;
FIG. 3 is a front view thereof;
FIG. 4 is a back view thereof;
FIG. 5 is left side view thereof;
FIG. 6 is a right side view thereof;
FIG. 7 is a top view thereof;
FIG. 8 is a bottom view thereof; and,
FIG. 9 is a perspective view from above of the lantern with an exemplary attachment.
The broken lines on the drawings represent portions of the lantern that form no part of the claimed design.

1 Claim, 8 Drawing Sheets



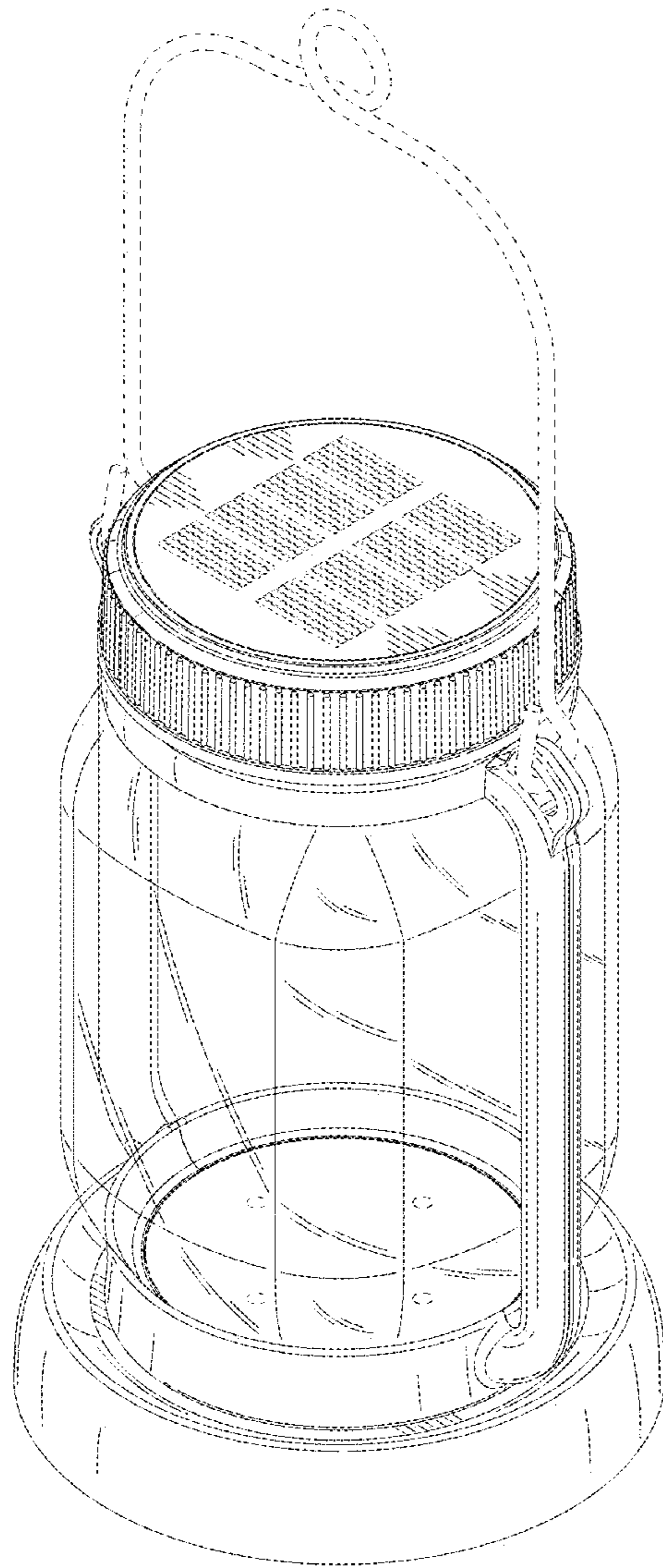


FIG. 1

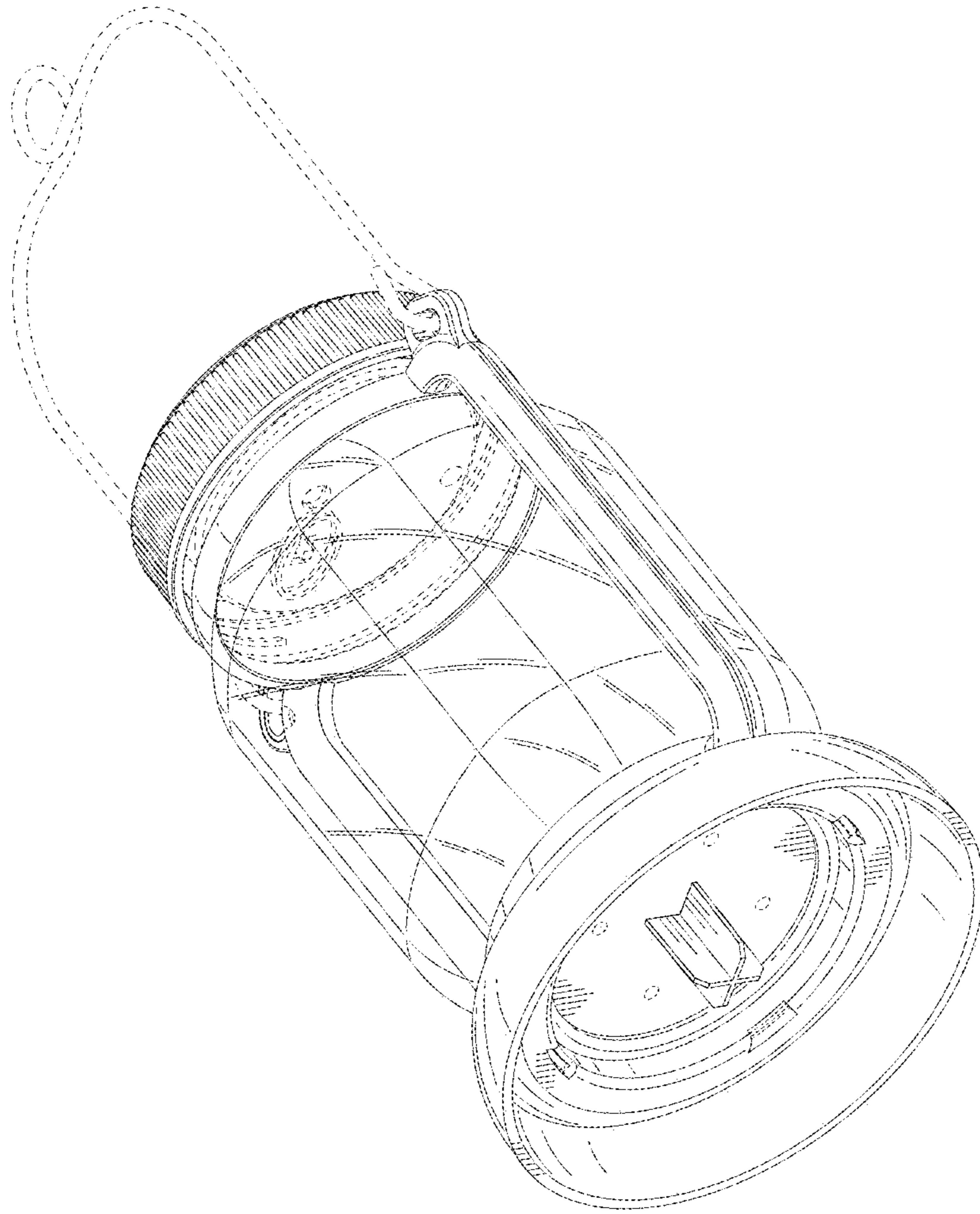


FIG.2

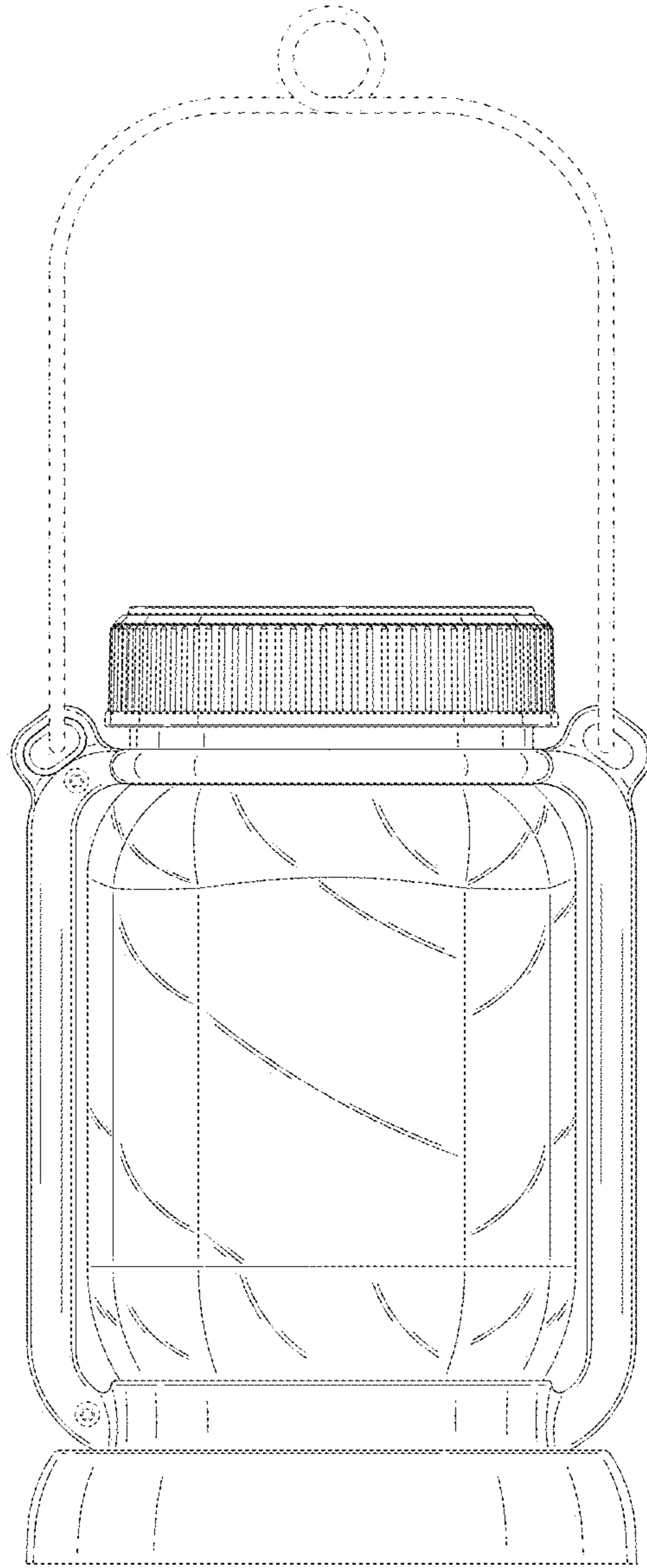


FIG.3

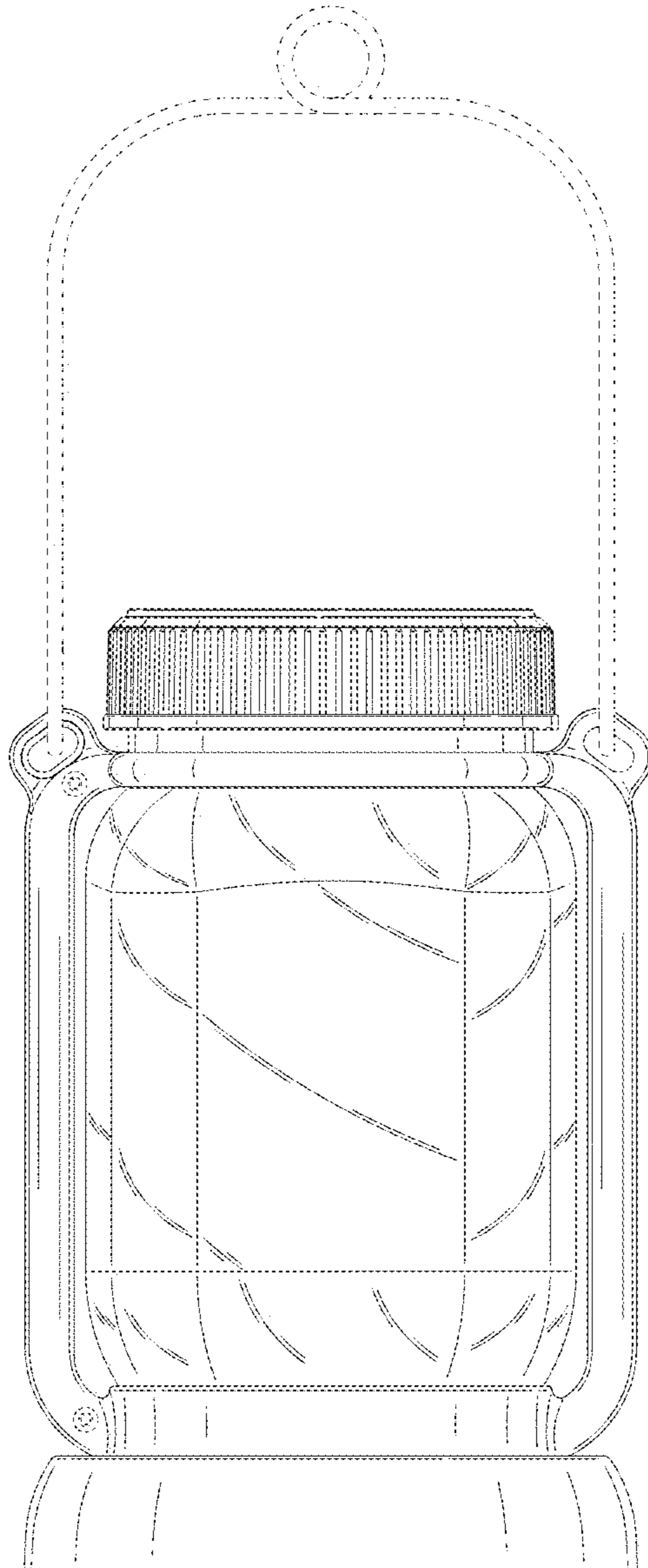


FIG.4

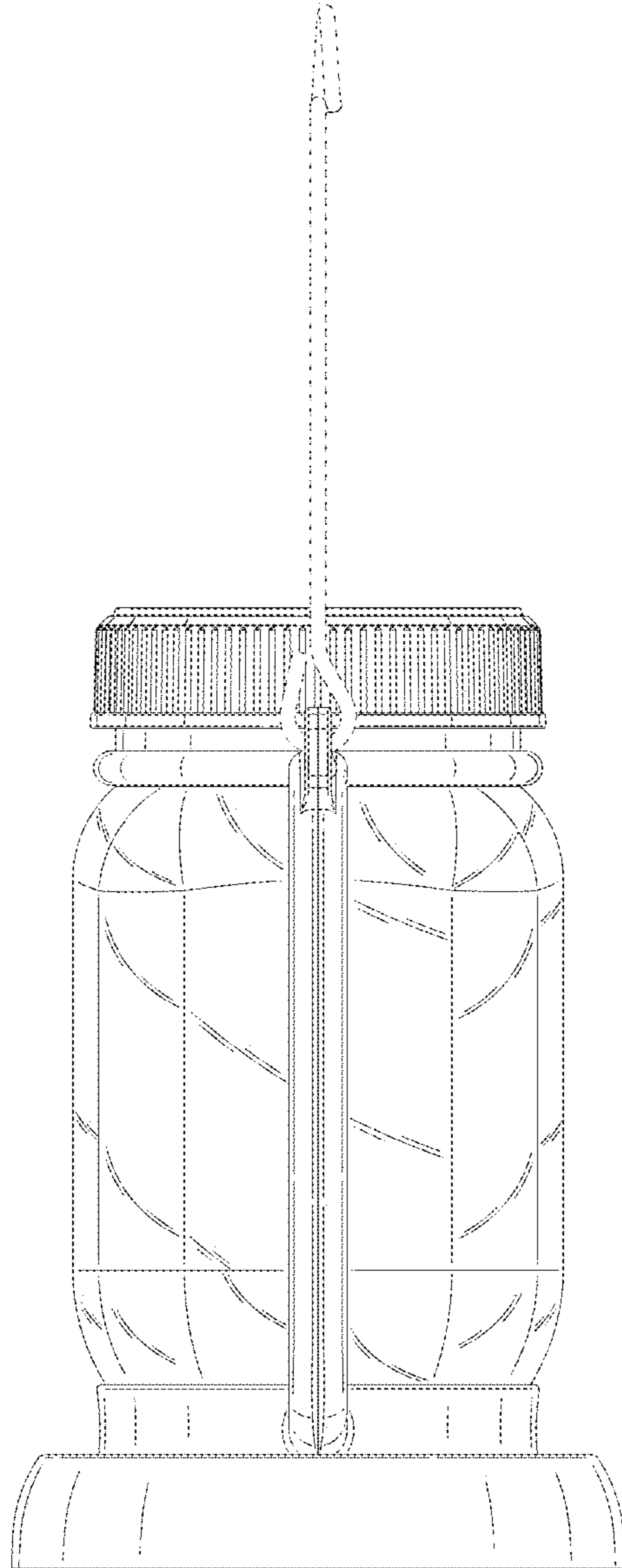


FIG.5

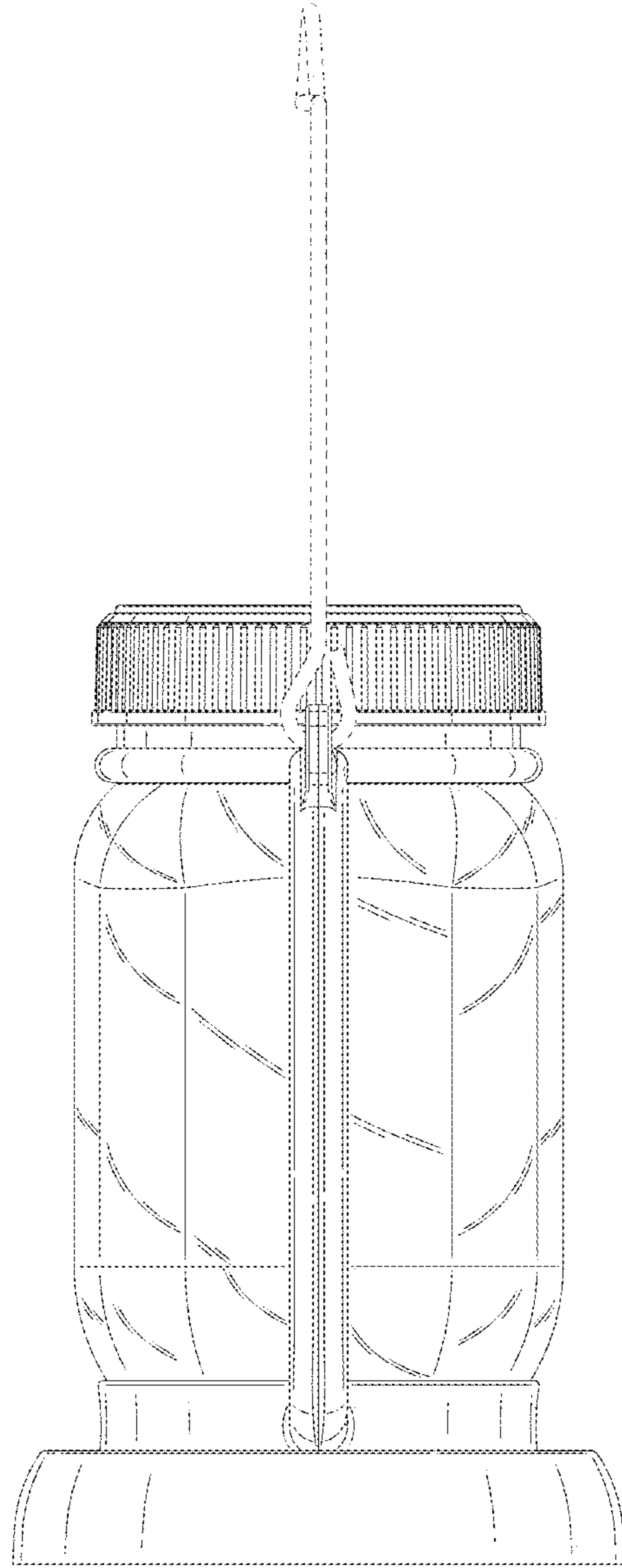


FIG.6

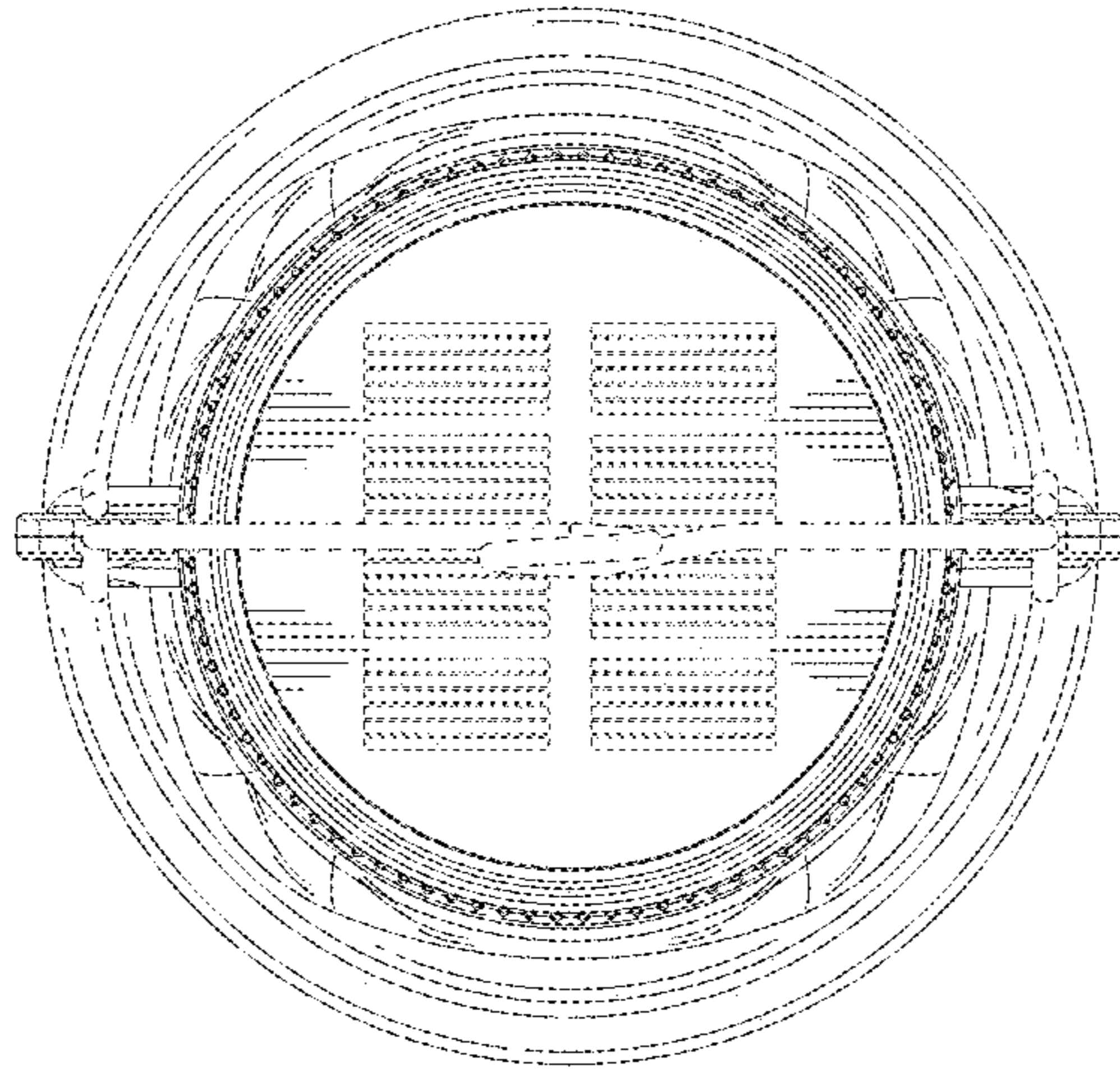


FIG. 7

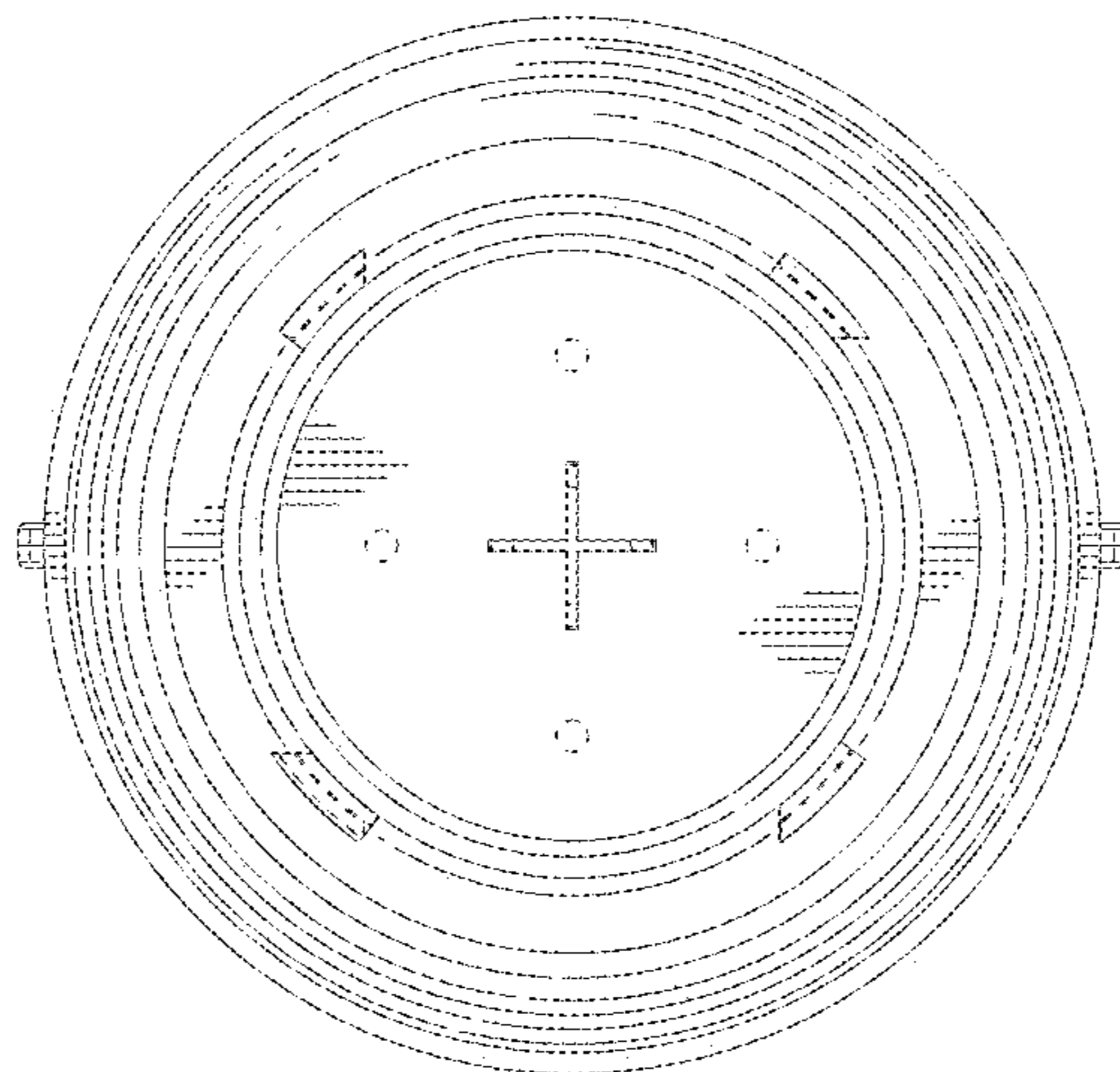


FIG. 8

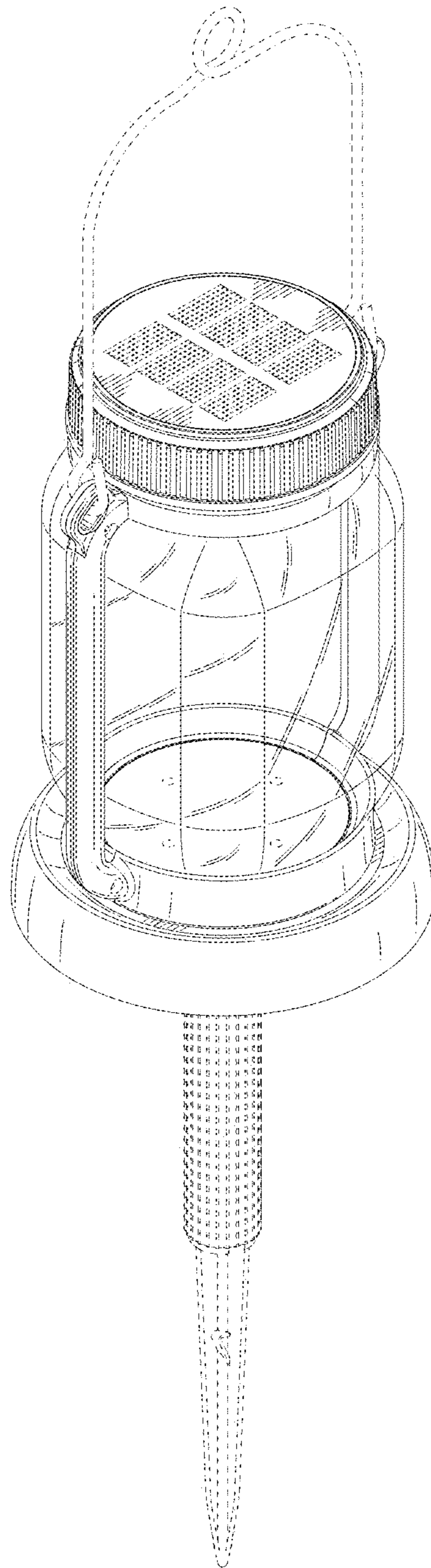


FIG.9