



US00D965841S

(12) **United States Design Patent** (10) **Patent No.:** **US D965,841 S**
Liu (45) **Date of Patent:** **** Oct. 4, 2022**

(54) **SOLAR LIGHT**
(71) Applicant: **BRILLANT MAX MOLY INC.**,
Portland, OR (US)
(72) Inventor: **Mingqian Liu**, Portland, OR (US)
(**) Term: **15 Years**
(21) Appl. No.: **29/787,556**
(22) Filed: **Jun. 7, 2021**
(51) **LOC (13) Cl.** **26-05**
(52) **U.S. Cl.**
USPC **D26/67; D13/102**
(58) **Field of Classification Search**
USPC D13/102, 101, 103, 107, 108, 110, 118,
D13/184, 199; D26/63, 67, 68, 71, 72,
D26/85
CPC H01L 31/00; H01L 31/18; H01L 31/042;
H01L 31/045; H01L 31/048; H01L
31/052; H01L 31/054; H01L 31/0475;
H01L 31/0485; H01M 10/052; H01M
10/465; H02S 30/10; H02S 30/20; H02S
10/40; H02S 40/42; Y02E 10/50; Y02E
10/52; Y10S 136/291; Y10S 136/293;
H02J 7/355; G06F 1/1628; F21S 8/006;
F21V 21/06; F21V 21/12
See application file for complete search history.

D861,221 S * 9/2019 Chen D26/68
D866,038 S 11/2019 Zhang
D880,746 S 4/2020 Zhang
D882,145 S 4/2020 Mai
D887,062 S 6/2020 Kowalenko
D899,658 S 10/2020 Wang
D906,564 S 12/2020 Wu
D911,573 S 2/2021 Shi
2012/0069581 A1* 3/2012 Chen F21V 3/04
156/299
2019/0101265 A1* 4/2019 Steele F21V 31/005

OTHER PUBLICATIONS

<https://www.amazon.com/Solar-Lights-Outdoor-12Pack-Stainless/dp/B082MHLQJ?th=1> Dec. 11, 2019 (Year: 2019).*

* cited by examiner

Primary Examiner — Derrick E Holland

(57) **CLAIM**

The ornamental design for a solar light, as shown and described.

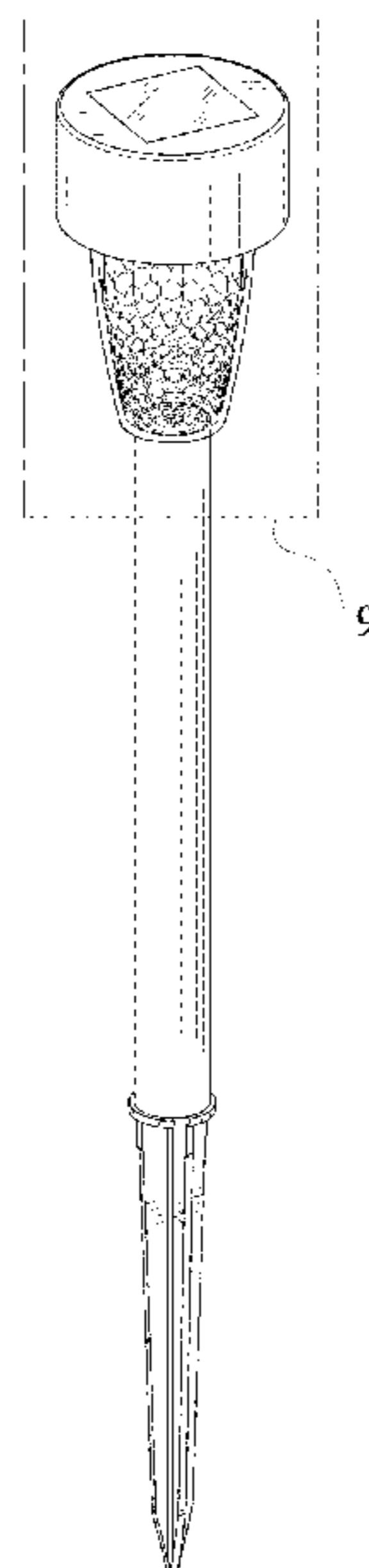
DESCRIPTION

FIG. 1 is a front, left side, top perspective view of a Solar light showing my new design;
FIG. 2 is a rear, right side, bottom perspective view thereof;
FIG. 3 is a front elevational view thereof;
FIG. 4 is a rear elevational view thereof;
FIG. 5 is a left side elevational view thereof;
FIG. 6 is a right side elevational view thereof;
FIG. 7 is a top plan view thereof;
FIG. 8 is a bottom plan view thereof; and,
FIG. 9 is an enlarged front, left, side, top perspective view of the region 9 shown in FIG. 1.
The short-dash long-dash broken lines define the bounds of the claimed design and form no part thereof.

1 Claim, 9 Drawing Sheets

(56) **References Cited**
U.S. PATENT DOCUMENTS

D468,471 S * 1/2003 Chen D26/67
D615,684 S * 5/2010 Chen D26/68
D638,969 S * 5/2011 Chen D26/68
D650,122 S * 12/2011 Chen D26/130
D653,785 S * 2/2012 Chen D26/68
D821,015 S 6/2018 Peng
D824,562 S 7/2018 Chen
D830,295 S 10/2018 Sooferian



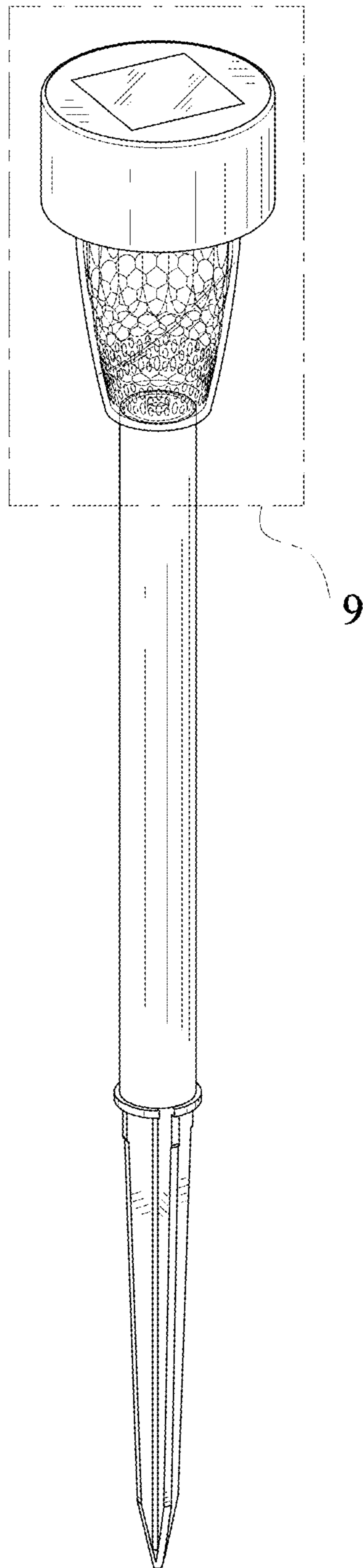


FIG. 1

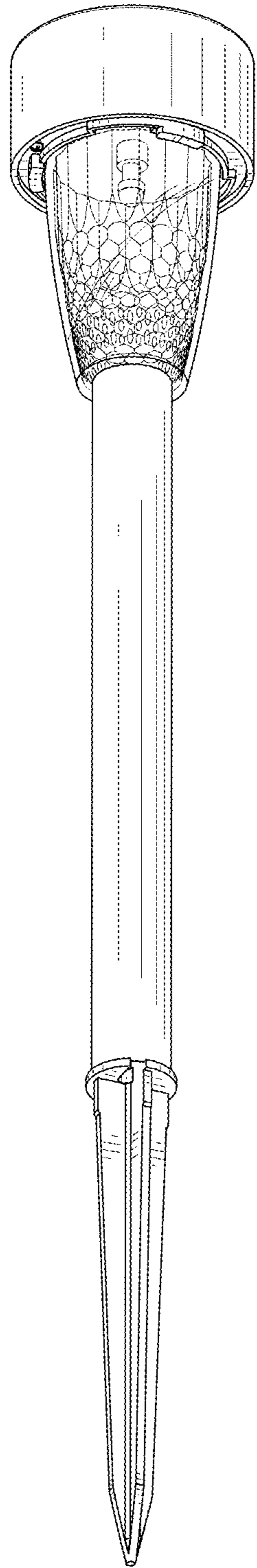


FIG. 2

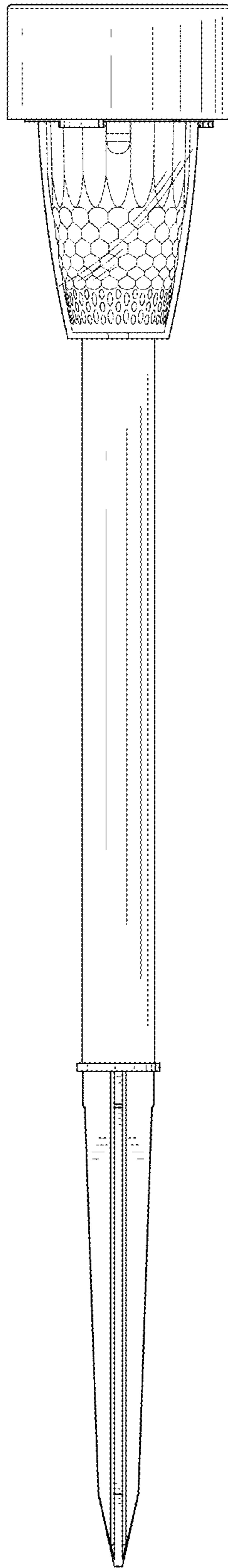


FIG. 3

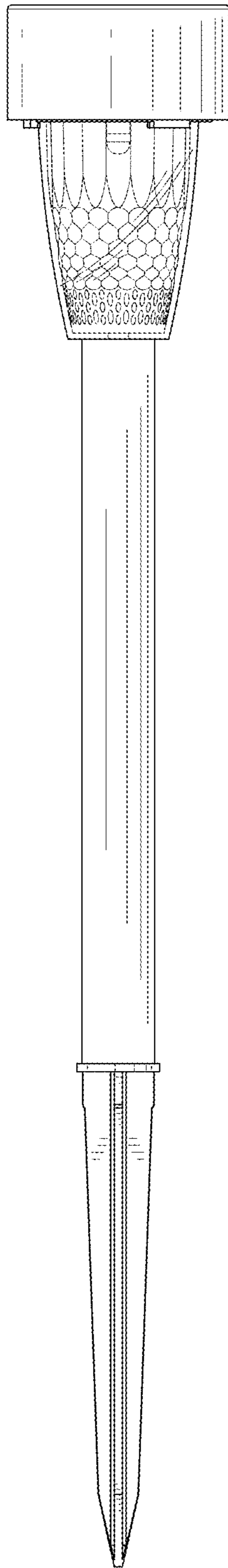


FIG. 4

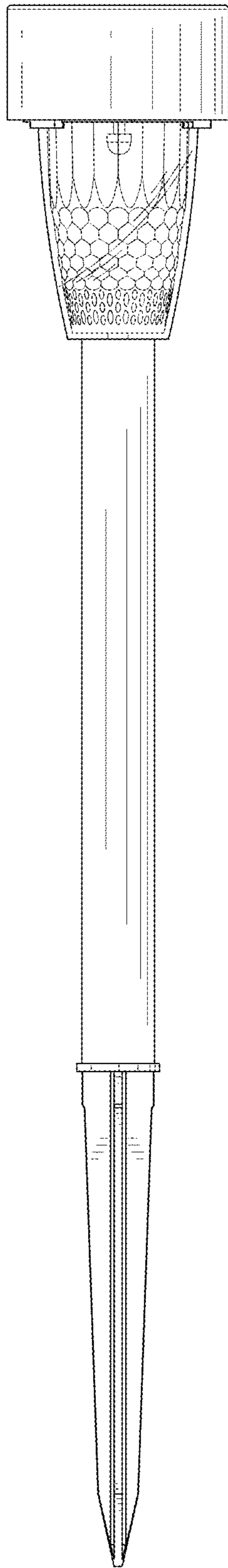


FIG. 5

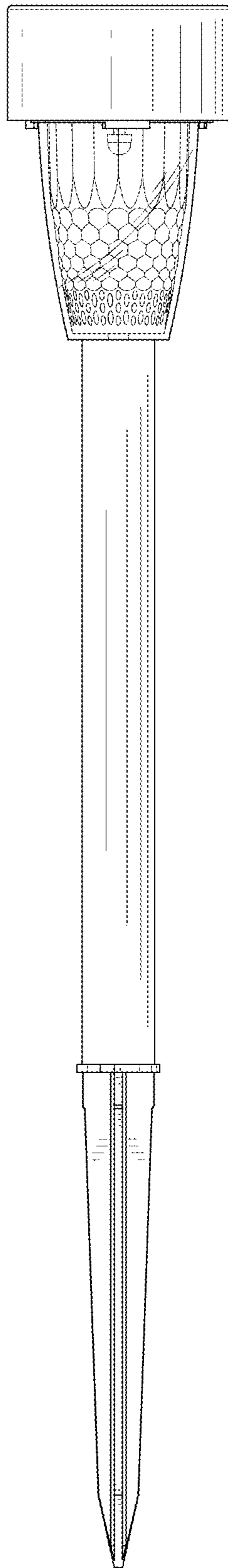


FIG. 6

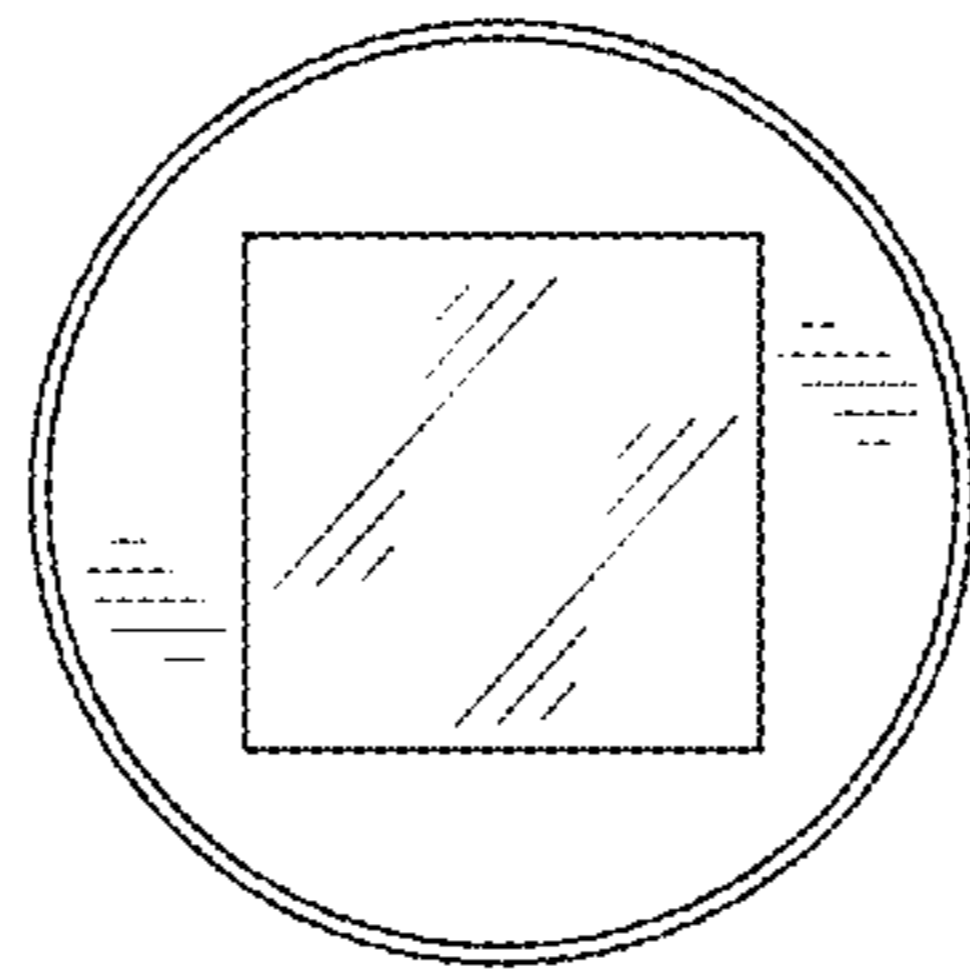


FIG. 7

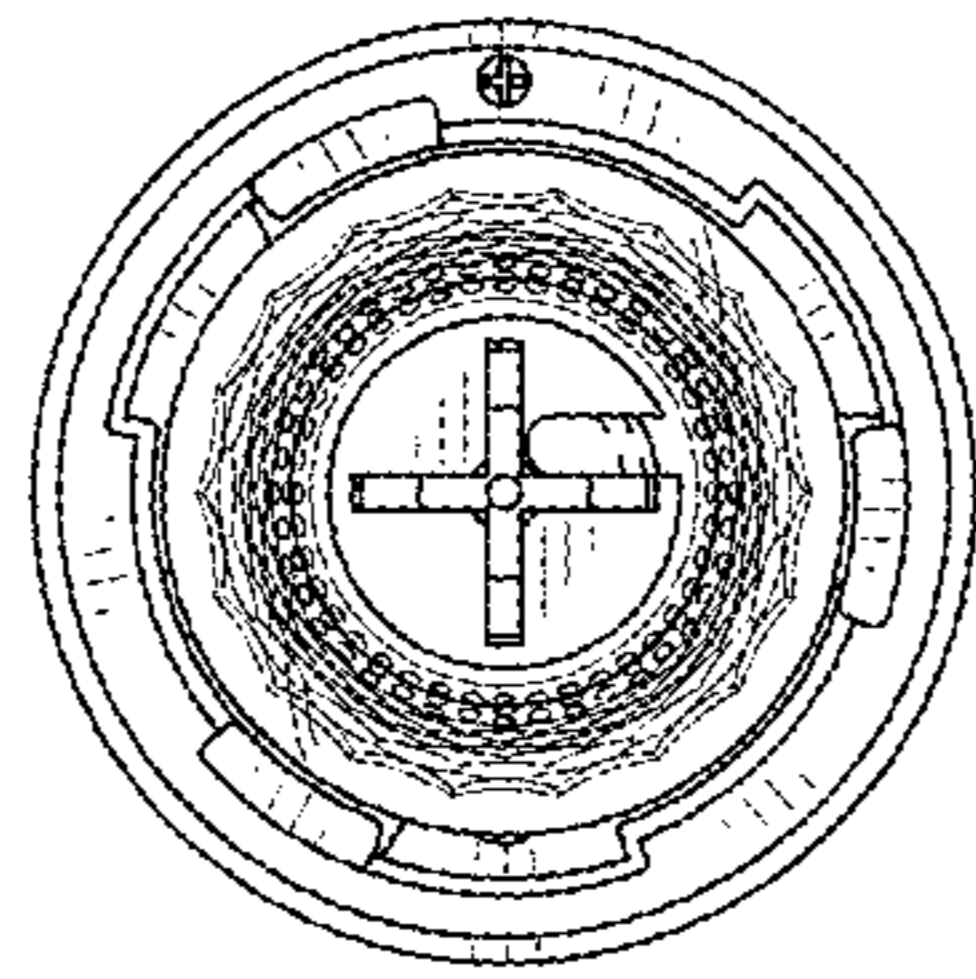


FIG. 8

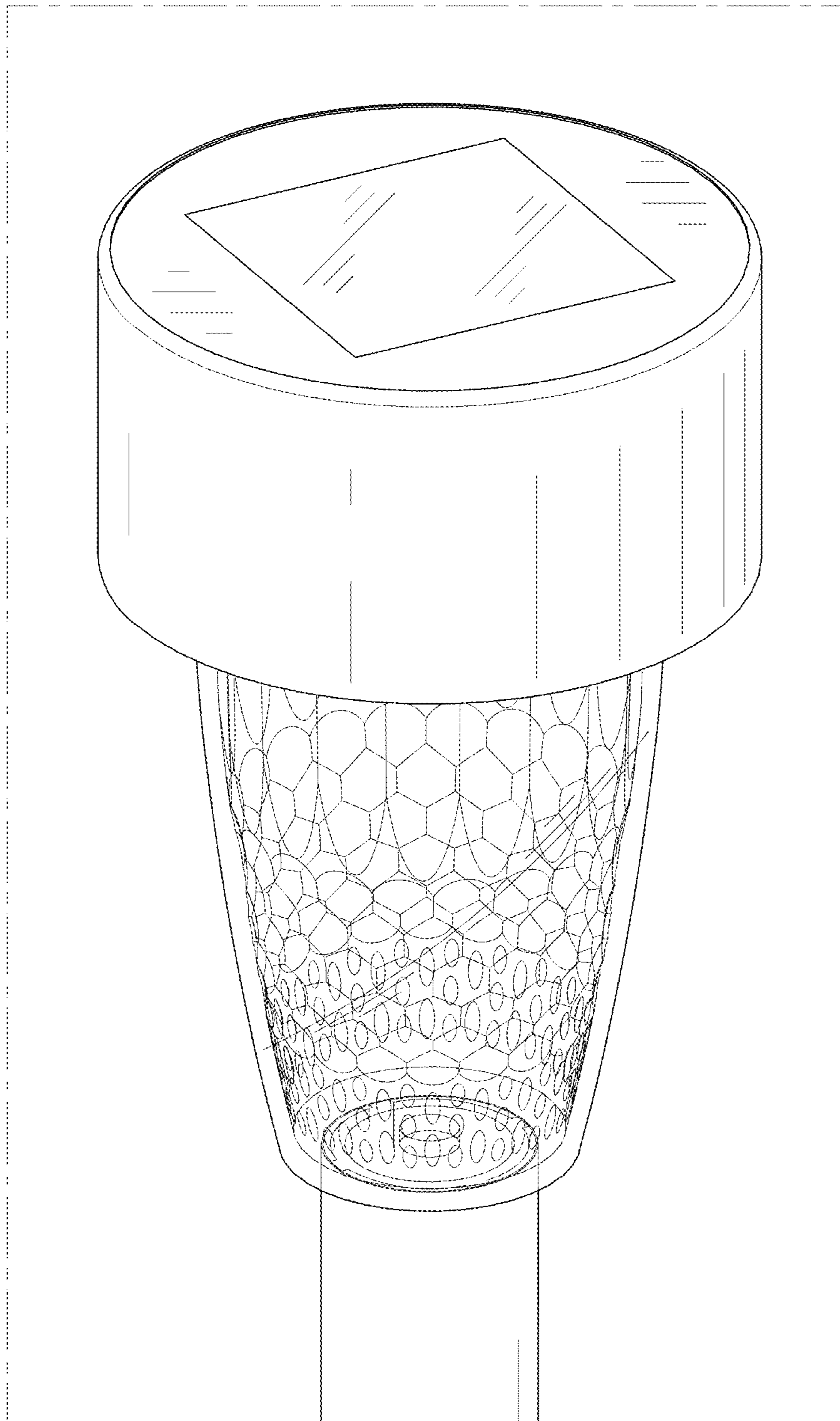


FIG. 9