

US00D965840S

(12) **United States Design Patent** (10) **Patent No.:** **US D965,840 S**
Mai (45) **Date of Patent:** **** Oct. 4, 2022**

(54) **SOLAR LAMP**

(56) **References Cited**

(71) Applicant: **Zhongshan Dishun Electric Technology Co., Ltd., Zhongshan (CN)**

U.S. PATENT DOCUMENTS

(72) Inventor: **Quanhua Mai, Guangdong (CN)**

D395,279 S * 6/1998 Peress D13/107
D495,444 S * 8/2004 Lam D26/63
D574,537 S * 8/2008 Sanoner D26/67
D716,989 S * 11/2014 Sooferian D26/68
D830,295 S * 10/2018 Sooferian D13/102
D887,612 S * 6/2020 Hollinger D26/67
D888,312 S * 6/2020 Sooferian D26/67
D898,972 S 10/2020 Pei
2019/0101265 A1 * 4/2019 Steele F21V 31/005

(**) Term: **15 Years**

(21) Appl. No.: **29/778,160**

* cited by examiner

(22) Filed: **Apr. 12, 2021**

(51) **LOC (13) Cl.** **26-05**

Primary Examiner — Derrick E Holland

(52) **U.S. Cl.**

(57) **CLAIM**

USPC **D26/67; D13/102**

The ornamental design for a solar lamp, as shown and described.

(58) **Field of Classification Search**

DESCRIPTION

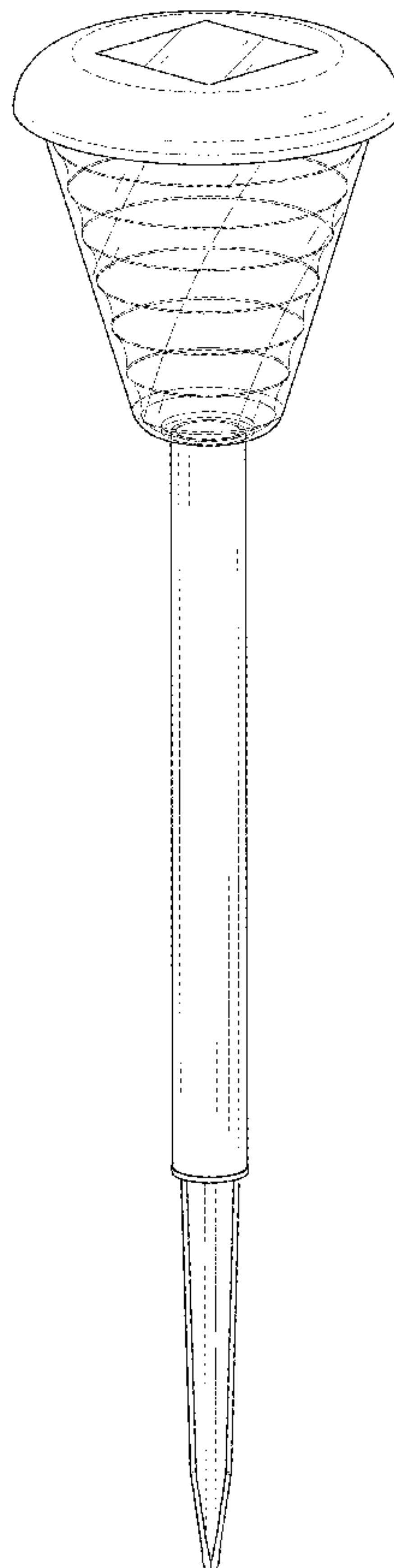
USPC D13/102, 101, 103, 107, 108, 110, 118,
D13/184, 199; D26/63, 67, 68, 71, 72,
D26/85

FIG. 1 is a front and top perspective view of a solar lamp, showing my new design;
FIG. 2 is a rear and bottom perspective view thereof;
FIG. 3 is a front elevation view thereof;
FIG. 4 is a rear elevation view thereof;
FIG. 5 is a left side elevation view thereof;
FIG. 6 is a right side elevation view thereof;
FIG. 7 is a top plan view thereof; and,
FIG. 8 is a bottom plan view thereof.

CPC H01L 31/00; H01L 31/18; H01L 31/042;
H01L 31/045; H01L 31/048; H01L
31/052; H01L 31/054; H01L 31/0475;
H01L 31/0485; H01M 10/052; H01M
10/465; H02S 30/10; H02S 30/20; H02S
10/40; H02S 40/42; Y02E 10/50; Y02E
10/52; Y10S 136/291; Y10S 136/293;
H02J 7/355; G06F 1/1628; F21S 8/006;
F21V 21/06; F21V 21/12

See application file for complete search history.

1 Claim, 8 Drawing Sheets



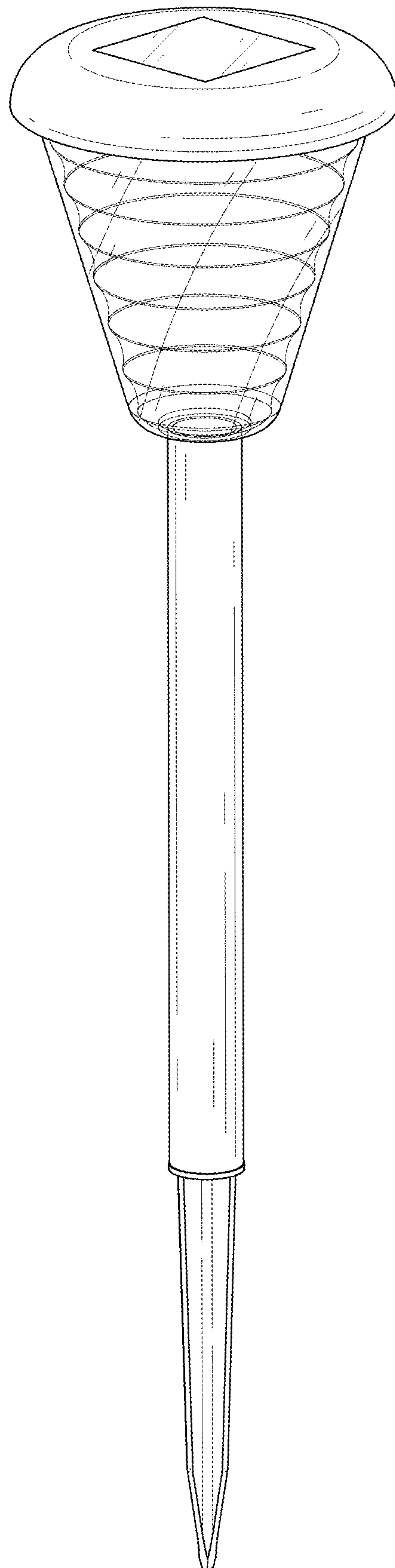


FIG. 1

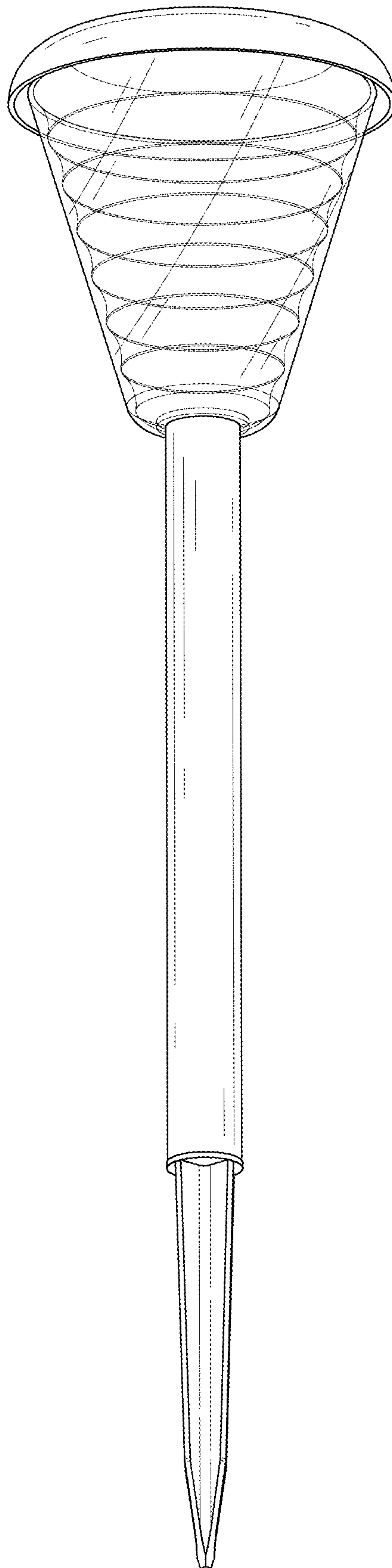


FIG. 2

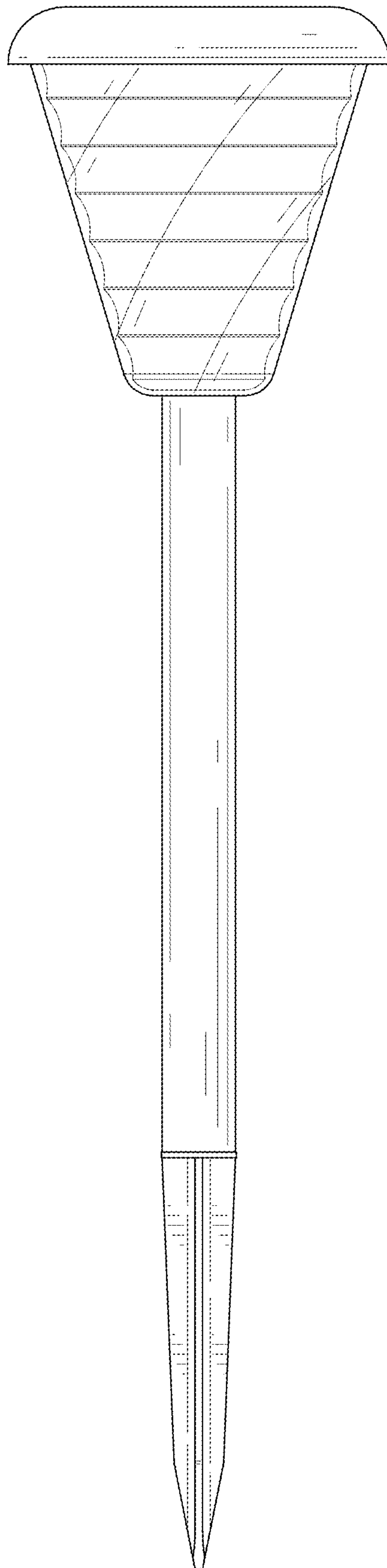


FIG. 3

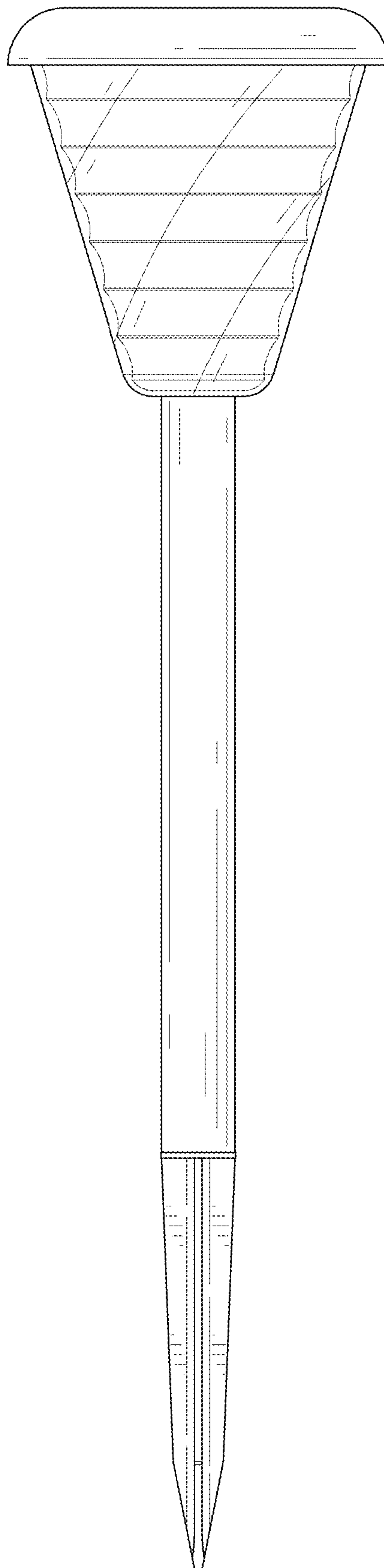


FIG. 4

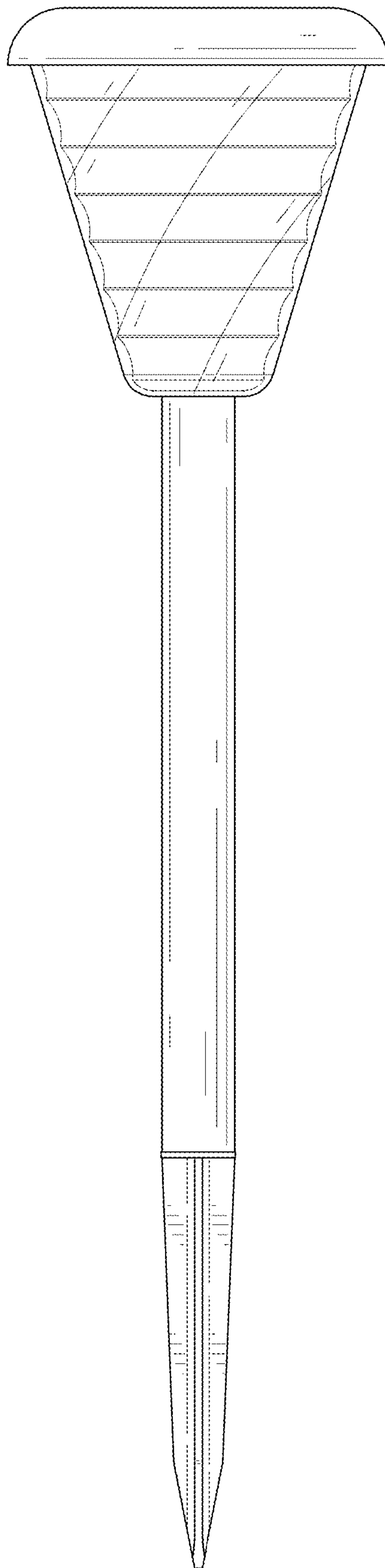


FIG. 5

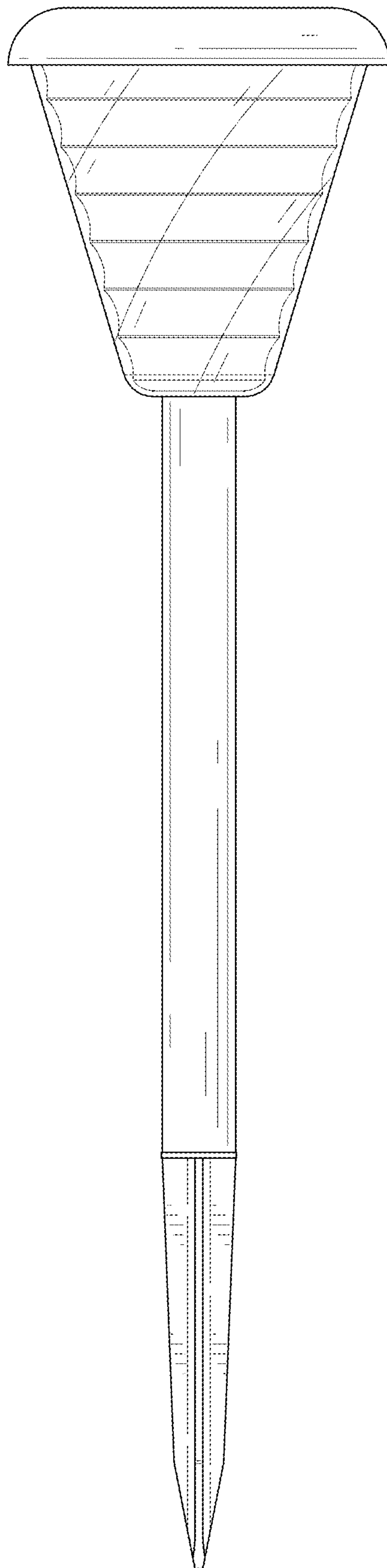


FIG. 6

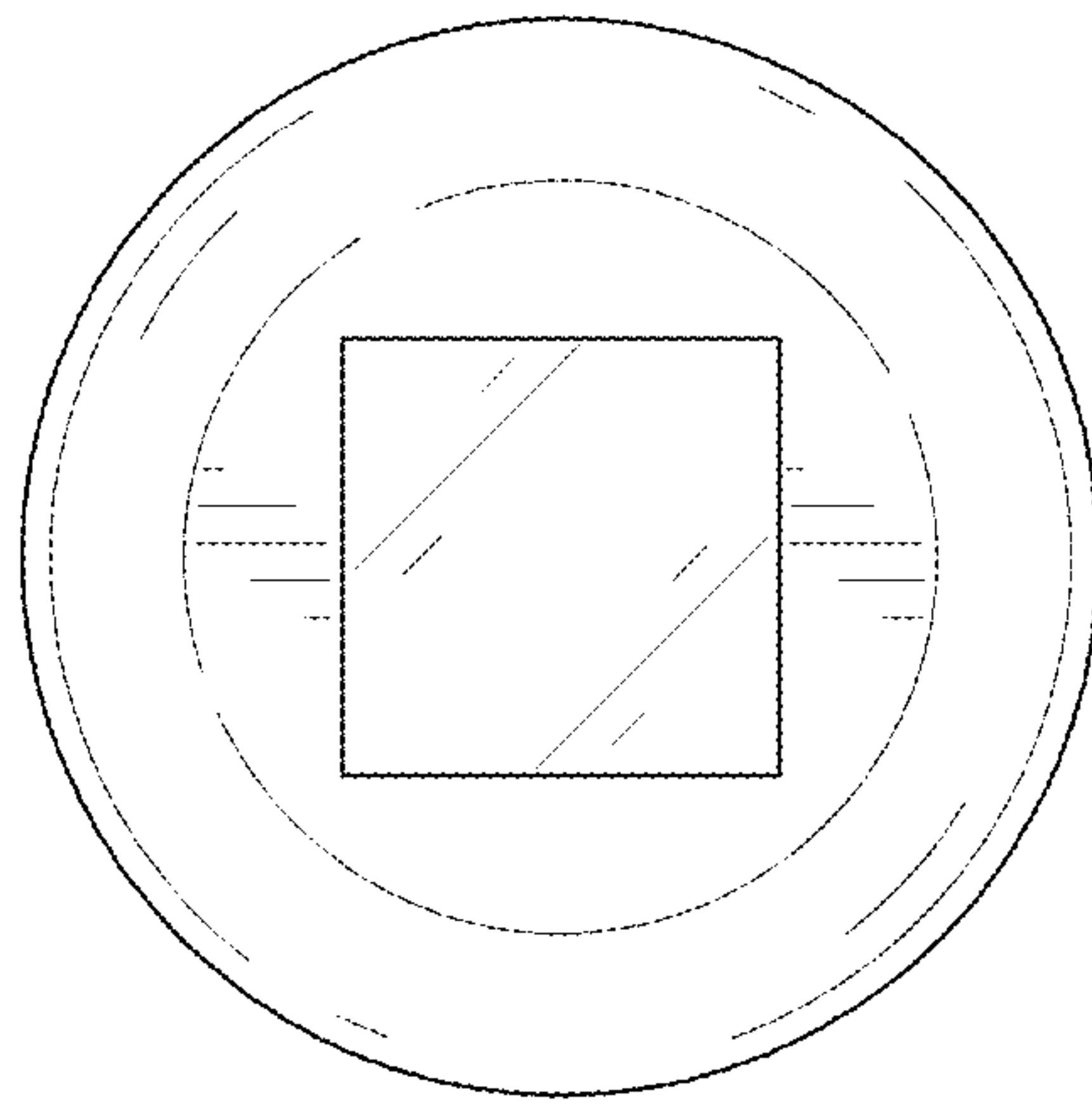


FIG. 7

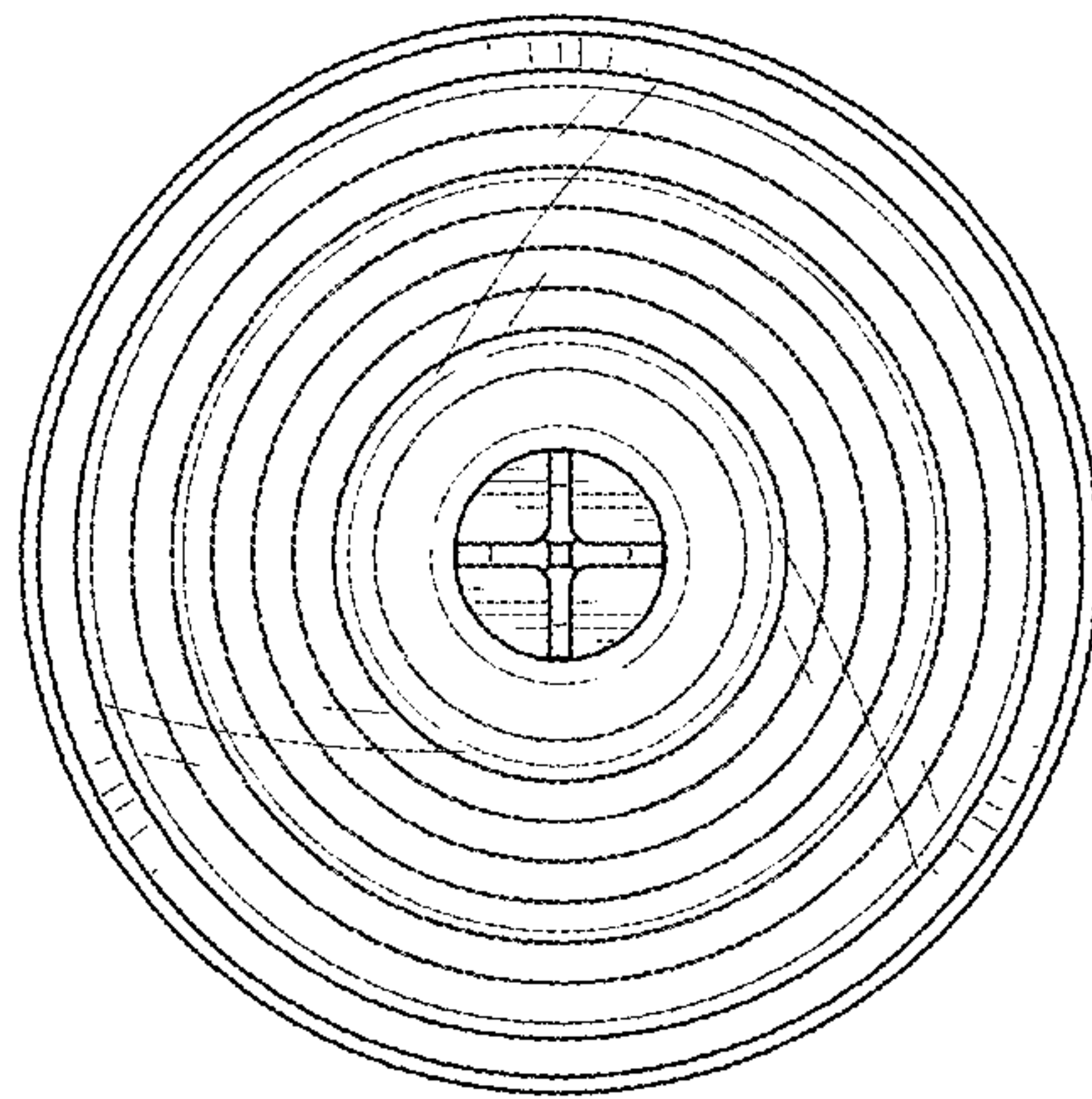


FIG. 8