

US00D965839S

(12) **United States Design Patent** (10) **Patent No.:** **US D965,839 S**
Wu (45) **Date of Patent:** **** Oct. 4, 2022**

(54) **FLOODLIGHT**

(71) Applicant: **Shenzhen Lingke Technology Co., Ltd.**, Shenzhen (CN)

(72) Inventor: **Zhiqiang Wu**, Guangdong (CN)

(73) Assignee: **Shenzhen Lingke Technology Co., Ltd.**, Shenzhen (CN)

(**) Term: **15 Years**

(21) Appl. No.: **29/804,159**

(22) Filed: **Aug. 18, 2021**

(51) **LOC (13) Cl.** **26-05**

(52) **U.S. Cl.**
USPC **D26/63; D26/37**

(58) **Field of Classification Search**
USPC D26/24, 37-52, 60-65, 93, 104-108, 113
CPC F21Y 2115/10; F21Y 2103/10; F21Y 2101/00; F21Y 2113/00; F21V 21/08; F21V 21/06; F21V 21/406; F21V 21/0965; F21V 21/30; F21V 21/0885; F21V 27/005; F21V 21/145; F21V 23/0414; F21V 15/01; F21V 14/025; F21L 4/00; F21L 4/08; F21L 4/04; F21L 14/02; F21L 4/027; F21W 2111/10
See application file for complete search history.

(56) **References Cited**

U.S. PATENT DOCUMENTS

D549,859 S *	8/2007	Kovacik	D26/37
D698,471 S *	1/2014	Poon	D26/37
D712,581 S *	9/2014	Scarlata	D26/65
8,939,601 B1 *	1/2015	Lee	F21V 17/02 362/198
D773,092 S *	11/2016	Koshiba	D26/63

D779,097 S *	2/2017	Xu	D26/63
D842,520 S *	3/2019	Brandrup	D26/63
D854,212 S *	7/2019	Yuan	D26/63
D854,718 S *	7/2019	Yuan	D26/63
D866,027 S *	11/2019	Cacciabeve	D26/37
D875,284 S *	2/2020	Cacciabeve	D26/37
D877,948 S *	3/2020	Thompson	D26/37
D890,395 S *	7/2020	Bertken	D26/37
D897,585 S	9/2020	Luo		
D907,831 S *	1/2021	Gu	D26/63
D918,453 S *	5/2021	Rang	D26/63
D922,665 S	6/2021	Feng		
D928,375 S *	8/2021	Mao	D26/63
D929,004 S *	8/2021	Qiu	D26/37

* cited by examiner

Primary Examiner — Marissa J Cash

Assistant Examiner — William B Melliar

(74) *Attorney, Agent, or Firm* — ScienBiziP, P.C.

(57) **CLAIM**

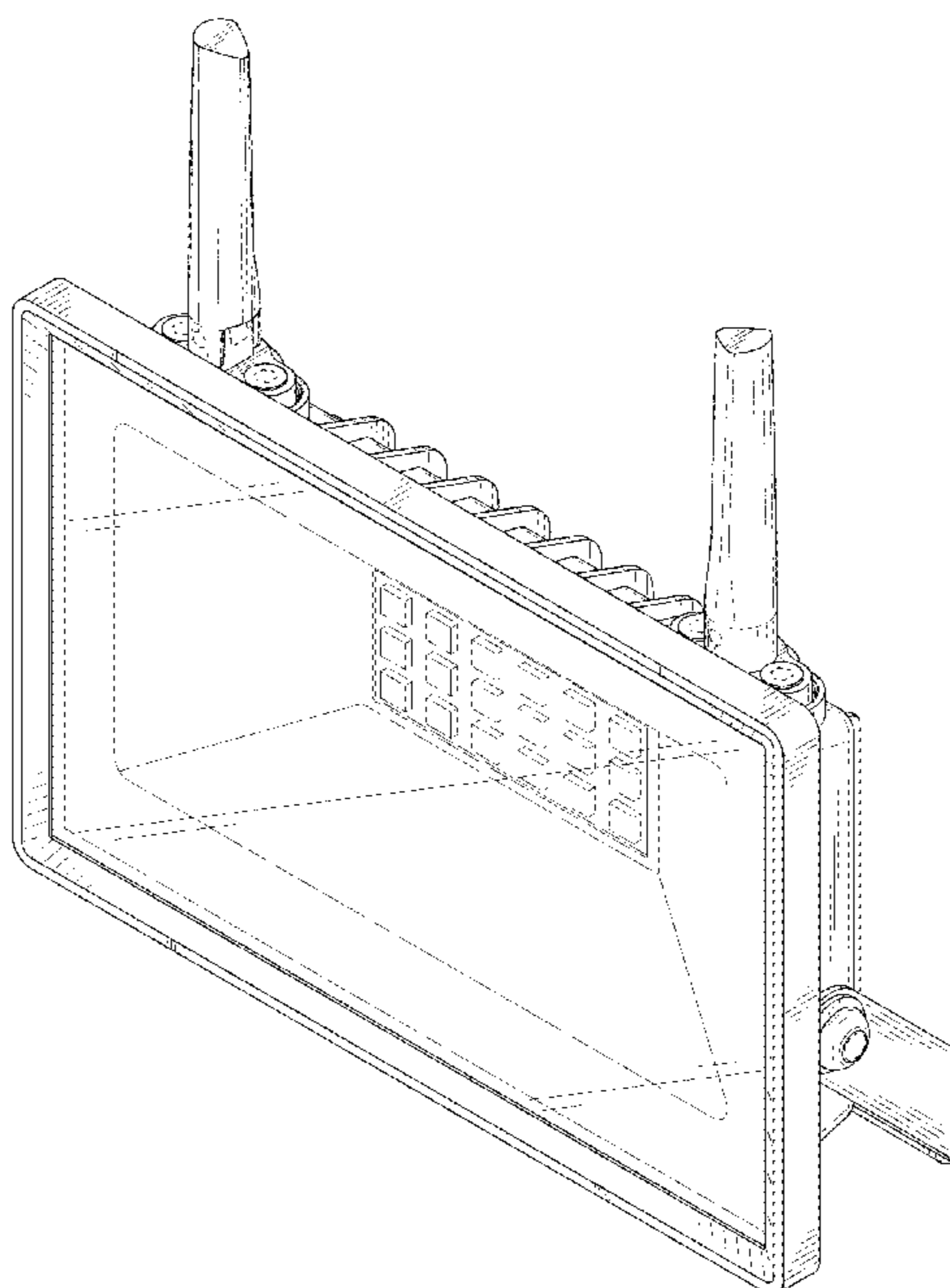
The ornamental design for a floodlight, as shown and described.

DESCRIPTION

FIG. 1 is a front, right, and top perspective view of a floodlight, showing my design.
FIG. 2 is a rear, left, and bottom perspective view thereof.
FIG. 3 is a front elevation view thereof.
FIG. 4 is a rear elevation view thereof.
FIG. 5 is a left side elevation view thereof.
FIG. 6 is a right side elevation view thereof.
FIG. 7 is a top plan view thereof; and,
FIG. 8 is a bottom plan view thereof.

The broken lines shown in the drawings are included for the purpose of illustrating portions of the floodlight that form no part of the claimed design.

1 Claim, 8 Drawing Sheets



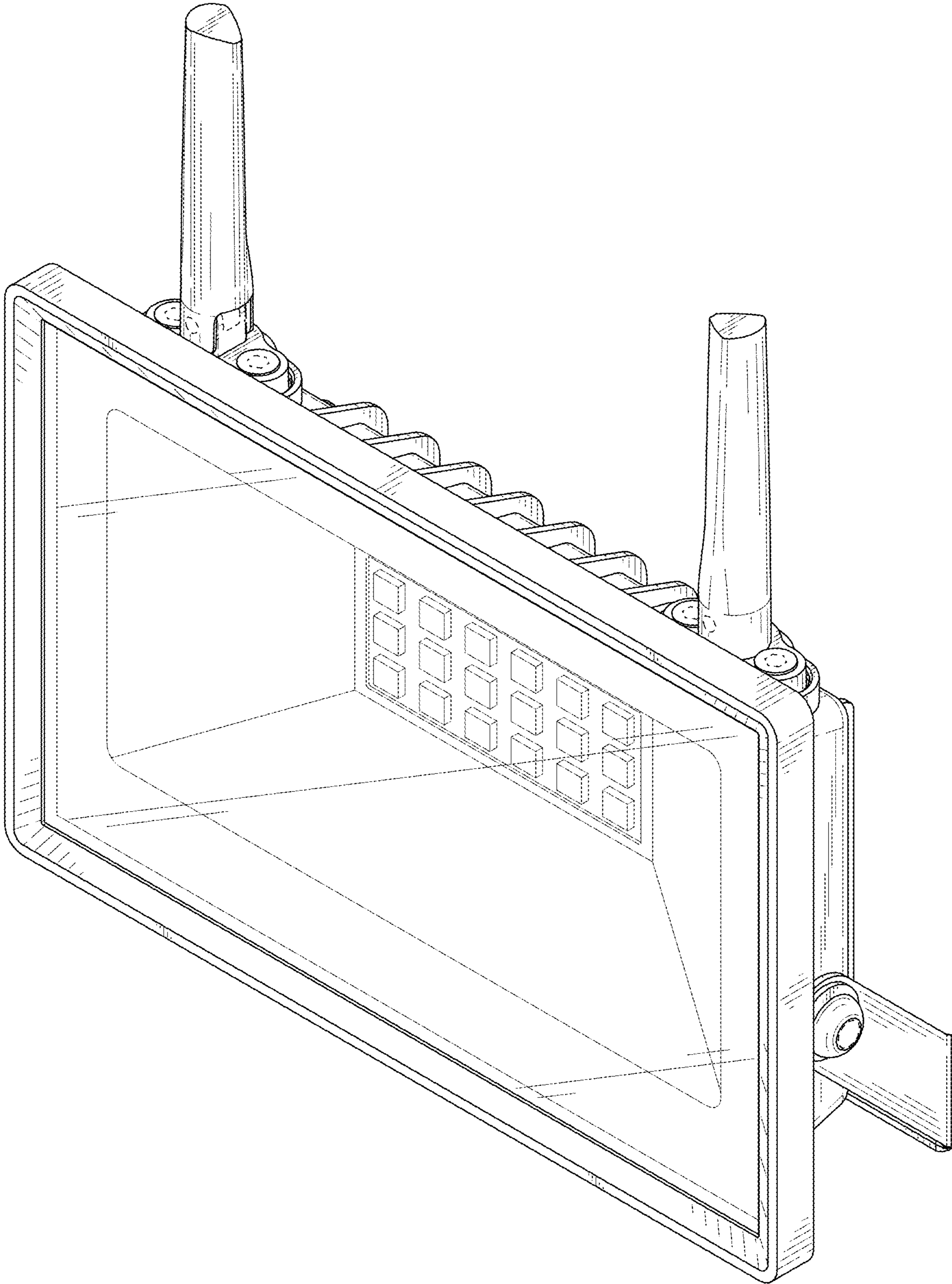


FIG. 1

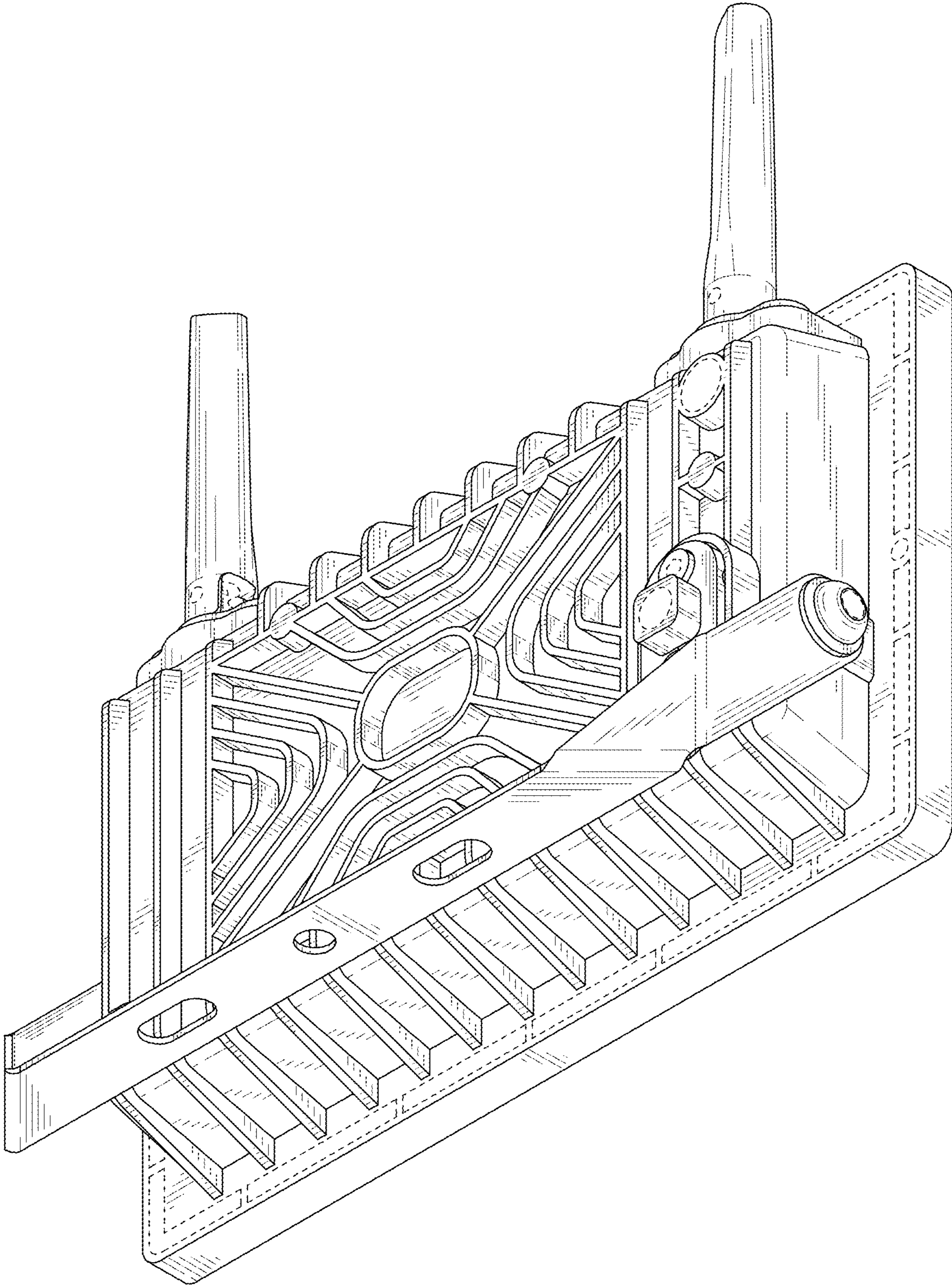


FIG. 2

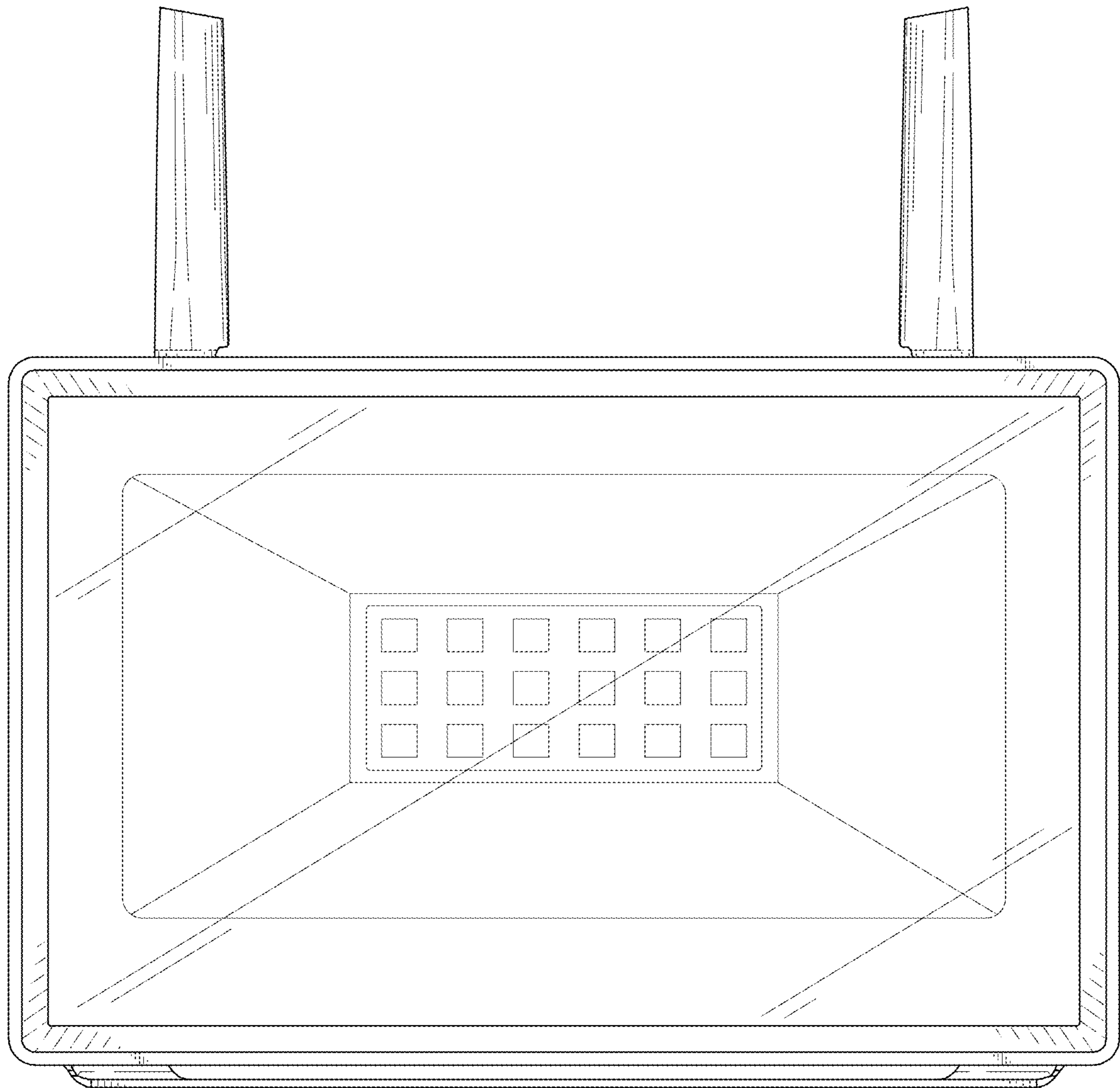


FIG. 3

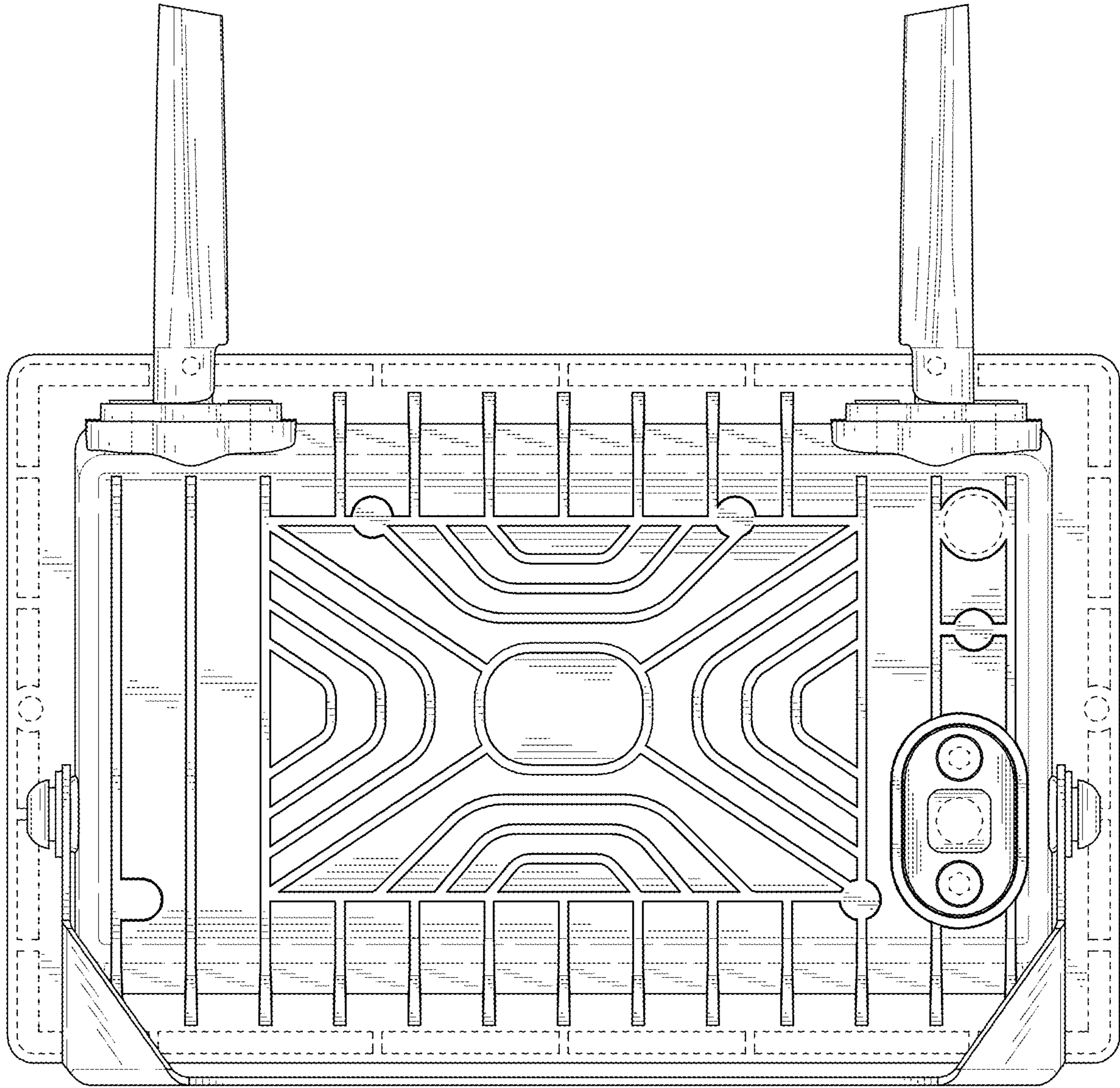


FIG. 4

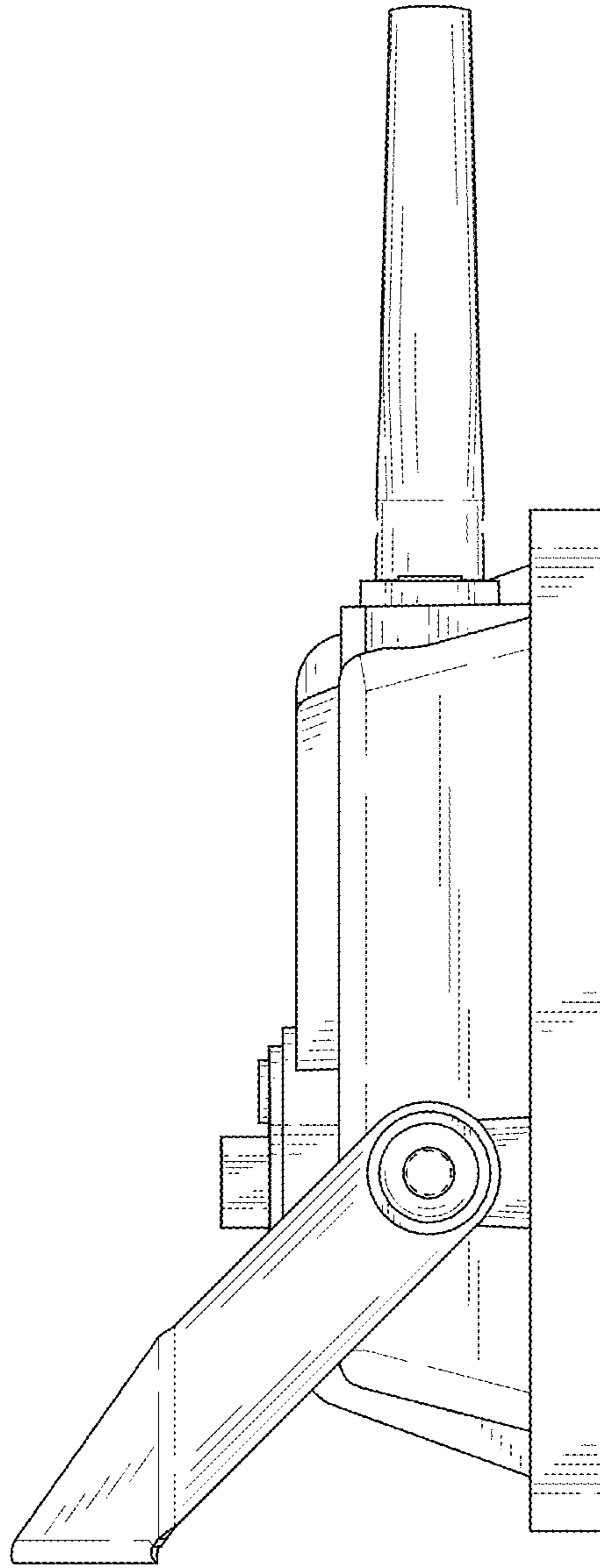


FIG. 5

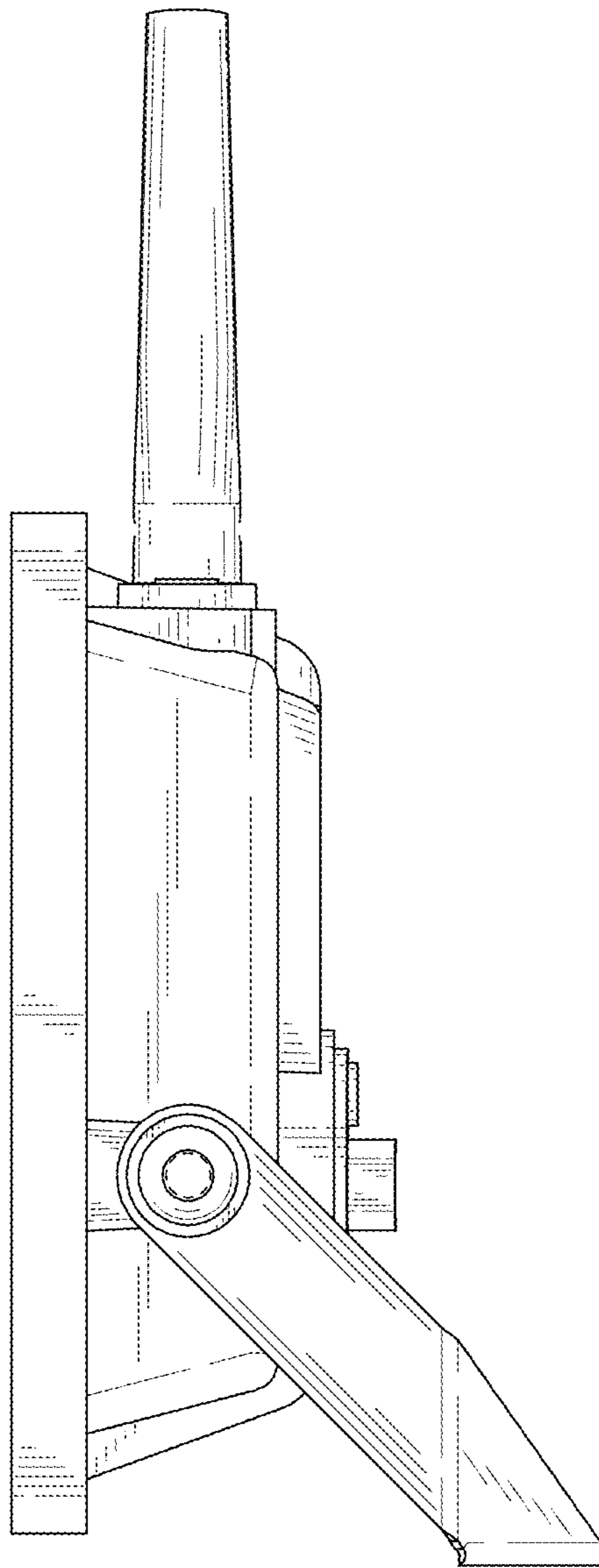


FIG. 6

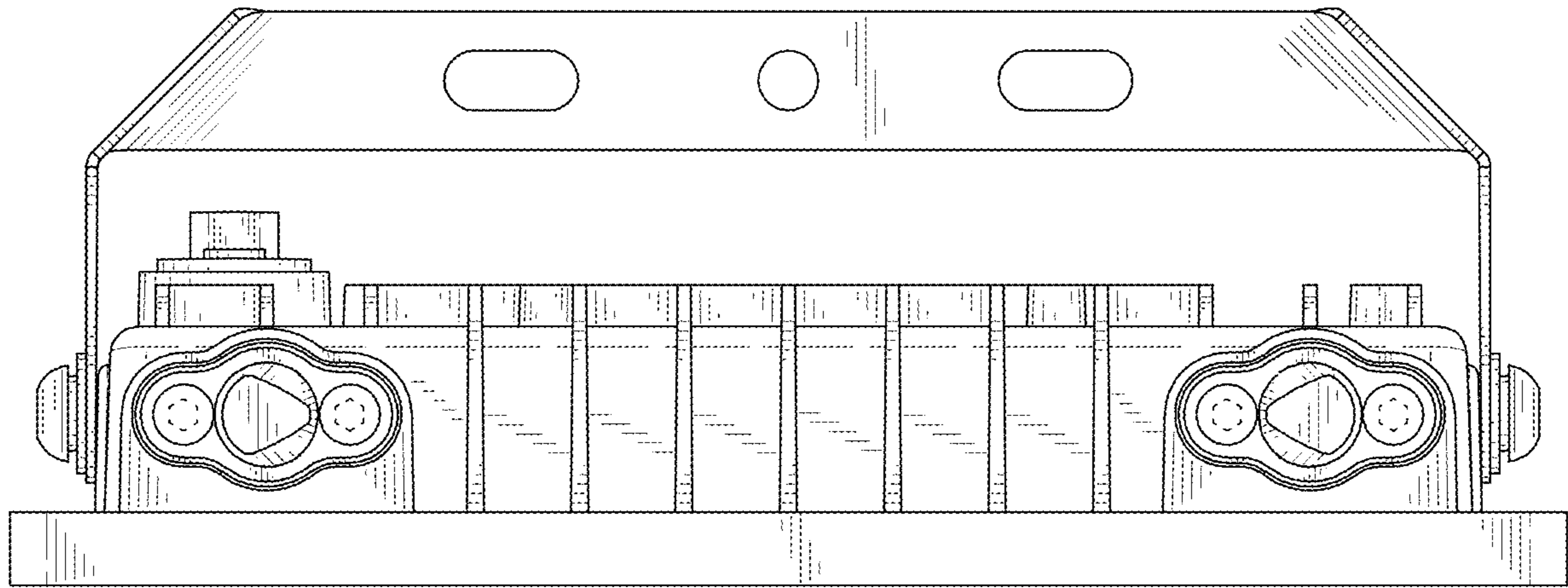


FIG. 7

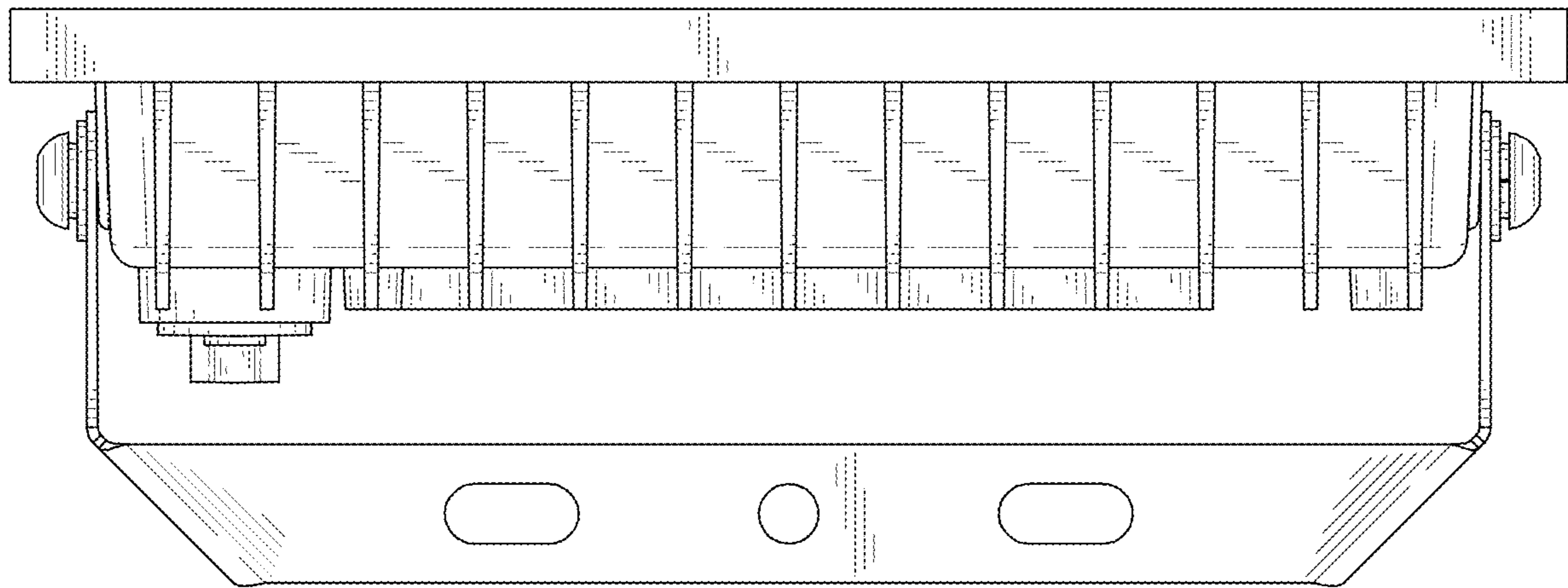


FIG. 8