

US00D965838S

(12) **United States Design Patent** (10) **Patent No.:** **US D965,838 S**  
**Wu** (45) **Date of Patent:** **\*\* Oct. 4, 2022**

(54) **GARDEN TORCH LAMP**

(71) Applicant: **Hanxiang Wu**, Jiujiang (CN)

(72) Inventor: **Hanxiang Wu**, Jiujiang (CN)

(\*\*) Term: **15 Years**

(21) Appl. No.: **29/782,264**

(22) Filed: **May 5, 2021**

(51) **LOC (13) Cl.** ..... **26-05**

(52) **U.S. Cl.**  
USPC ..... **D26/63; D26/67**

(58) **Field of Classification Search**

USPC ..... D26/63, 67-71

CPC .... F21S 8/08; F21S 8/081; F21S 8/083; F21S 8/088; F21S 9/03; F21S 9/037; F21V 21/0824; F21W 2111/02; F21W 2131/109

See application file for complete search history.

(56) **References Cited**

**U.S. PATENT DOCUMENTS**

D647,234 S	10/2011	Izardel	
D875,291 S	2/2020	Liu	
D903,921 S *	12/2020	Zhuo	D26/63
D921,261 S *	6/2021	Qiu	D26/67
D922,646 S *	6/2021	Huang	D26/63
D923,226 S *	6/2021	Hu	D26/63
D925,100 S *	7/2021	Hui	D26/68
D930,889 S *	9/2021	Liu	D26/68
D936,887 S *	11/2021	Yan	D26/68
D944,434 S *	2/2022	Li	D26/63
2019/0346101 A1 *	11/2019	Chang	A63H 27/10

**OTHER PUBLICATIONS**

AIRMEE Bright Solar Landscape Spotlights, ASIN: B09GK8H4C8. Available from amazon.com Sep. 17, 2021. (Year: 2021).\*

URPOWER Solar Lights Outdoor, ASIN: B09QKTT1R9. Available from amazon.com Feb. 1, 2022 (Year: 2022).\*

HNES 2 Pack 470LM Super Bright Solar Spot Lights, ASIN: B09TJSJ9VL7. Available from amazon.com Mar. 3, 2022. (Year: 2022).\*

\* cited by examiner

*Primary Examiner* — Clare E Heflin

(74) *Attorney, Agent, or Firm* — Che-Yang Chen; Law Office of Michael Chen

(57) **CLAIM**

The ornamental design for a garden torch lamp, as shown and described.

**DESCRIPTION**

FIG. 1 is a perspective view of the garden torch lamp showing my new design;

FIG. 2 is a bottom plan view thereof;

FIG. 3 is a top plan view thereof;

FIG. 4 is a left side elevational view thereof;

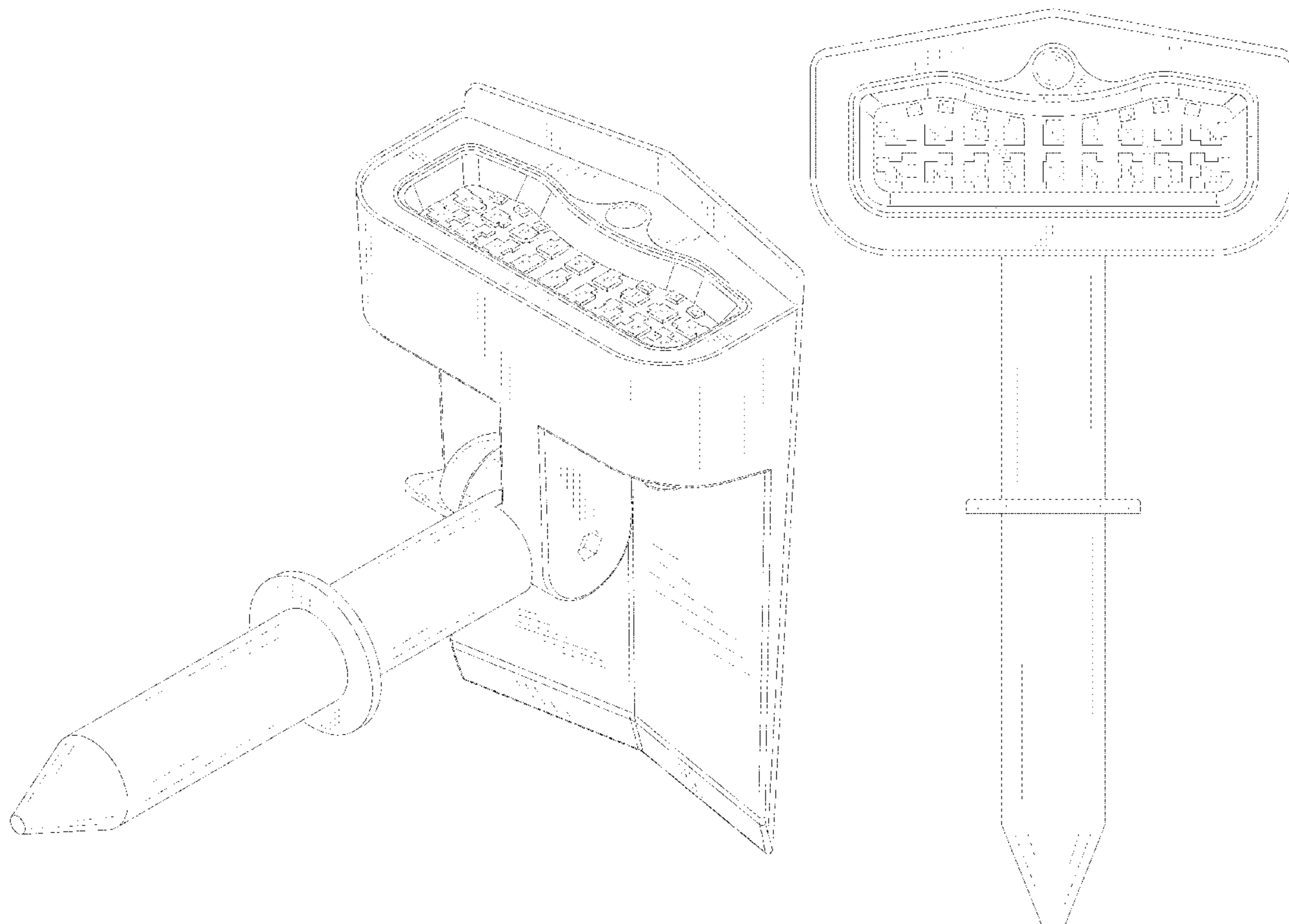
FIG. 5 is a right side elevational view thereof;

FIG. 6 is a front elevation view thereof; and,

FIG. 7 is a top plan view thereof.

The broken lines shown on the drawings depict portions of the garden torch lamp that form no part of the claimed design.

**1 Claim, 7 Drawing Sheets**



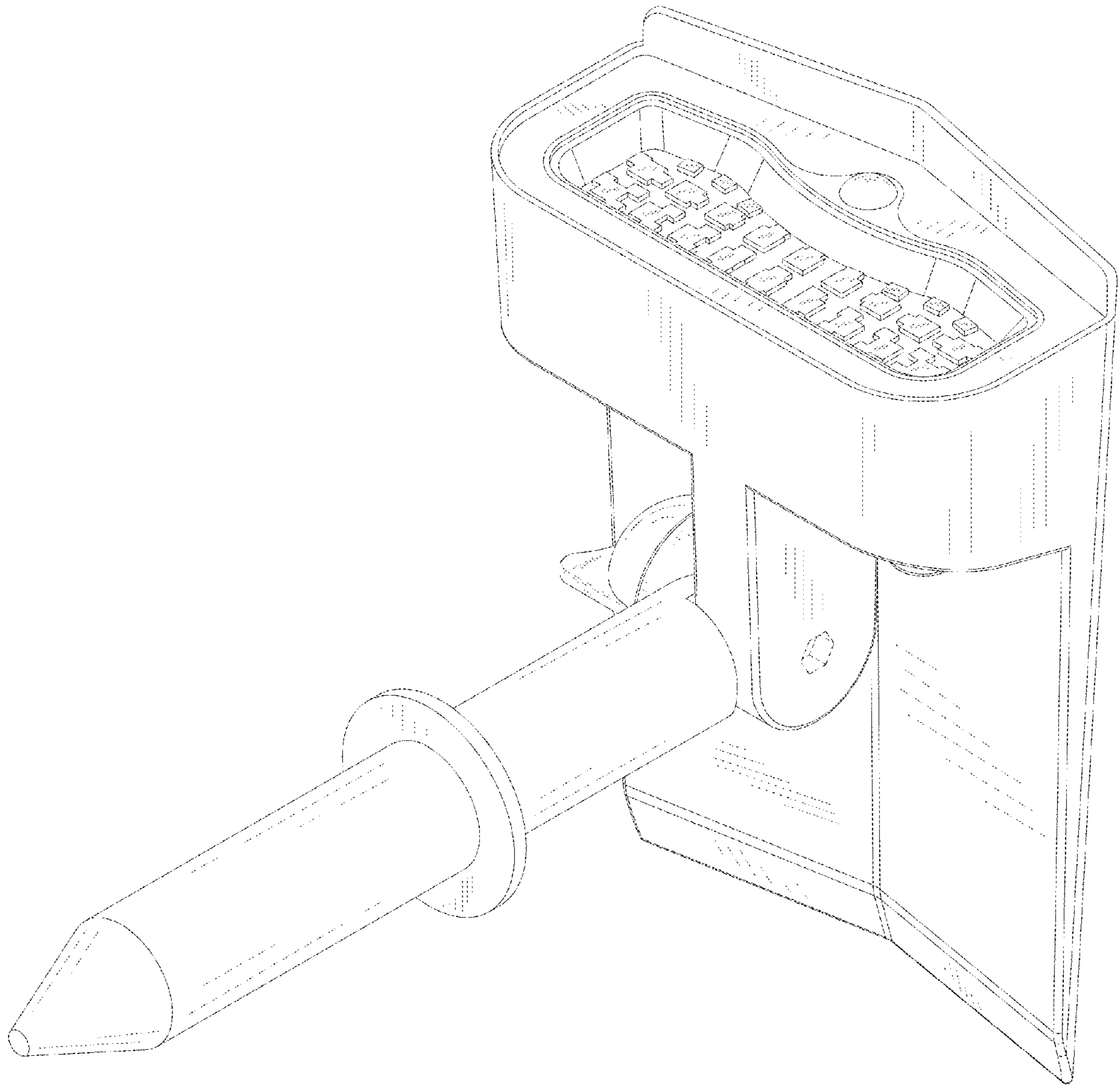


FIG.1

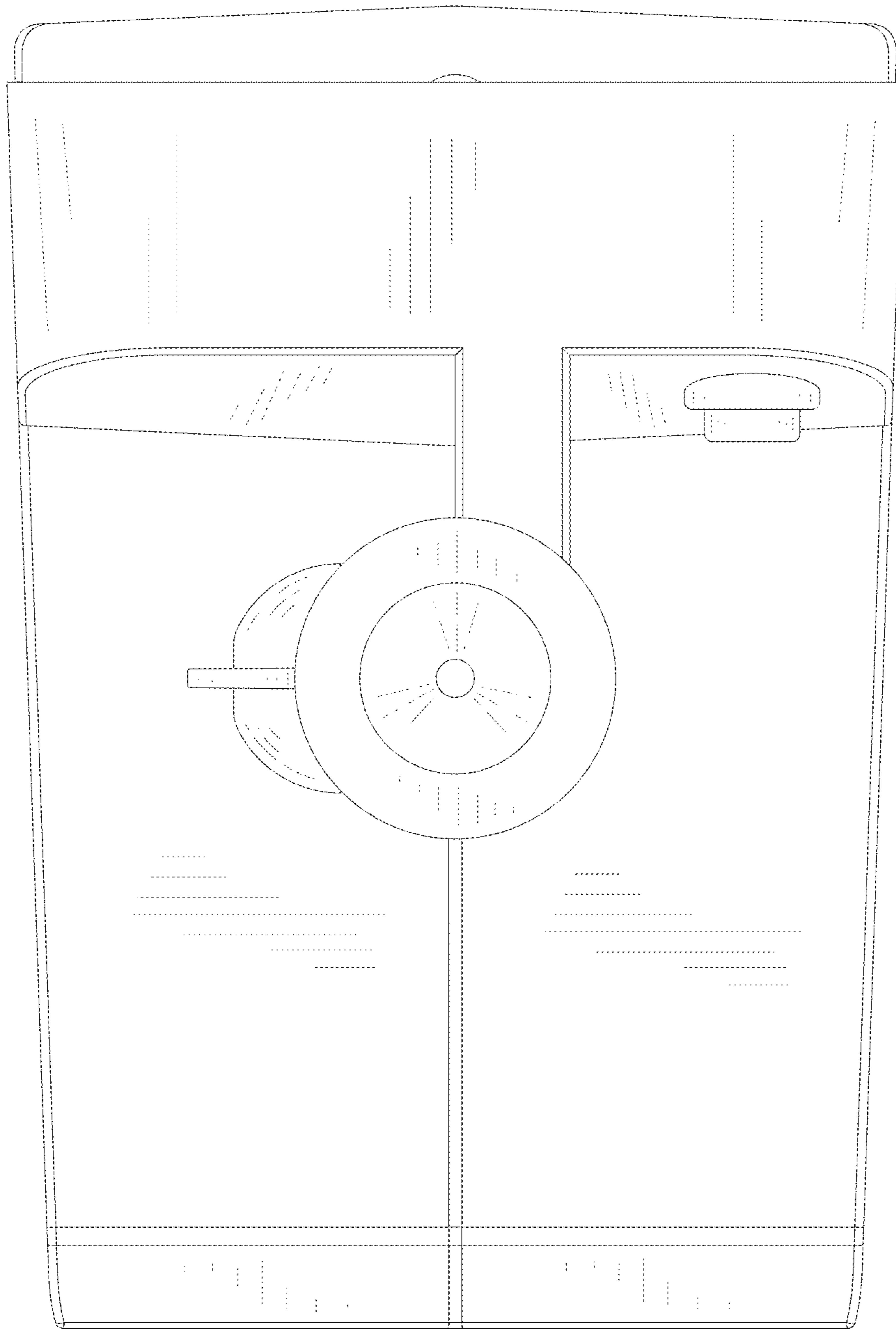


FIG. 2

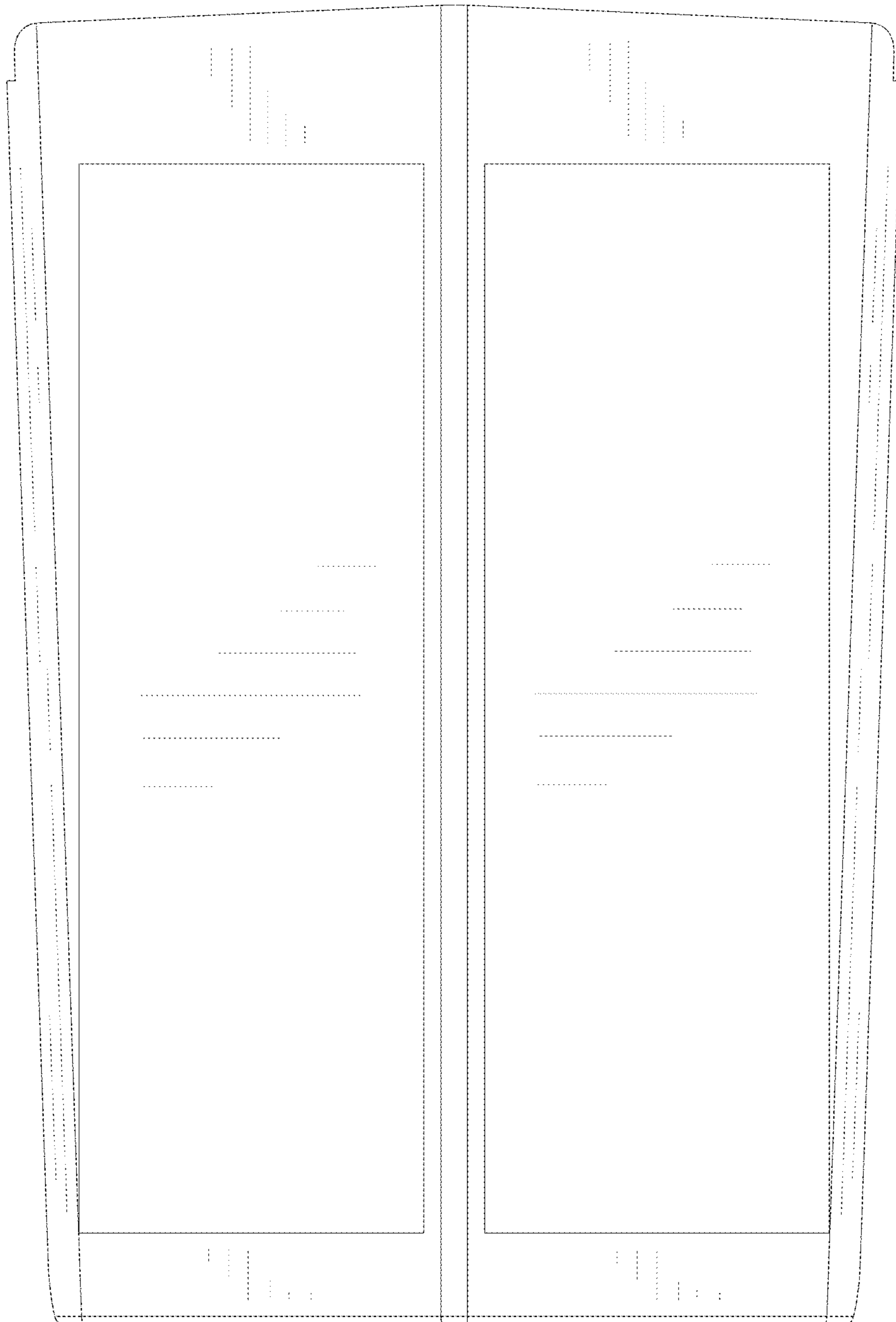


FIG. 3

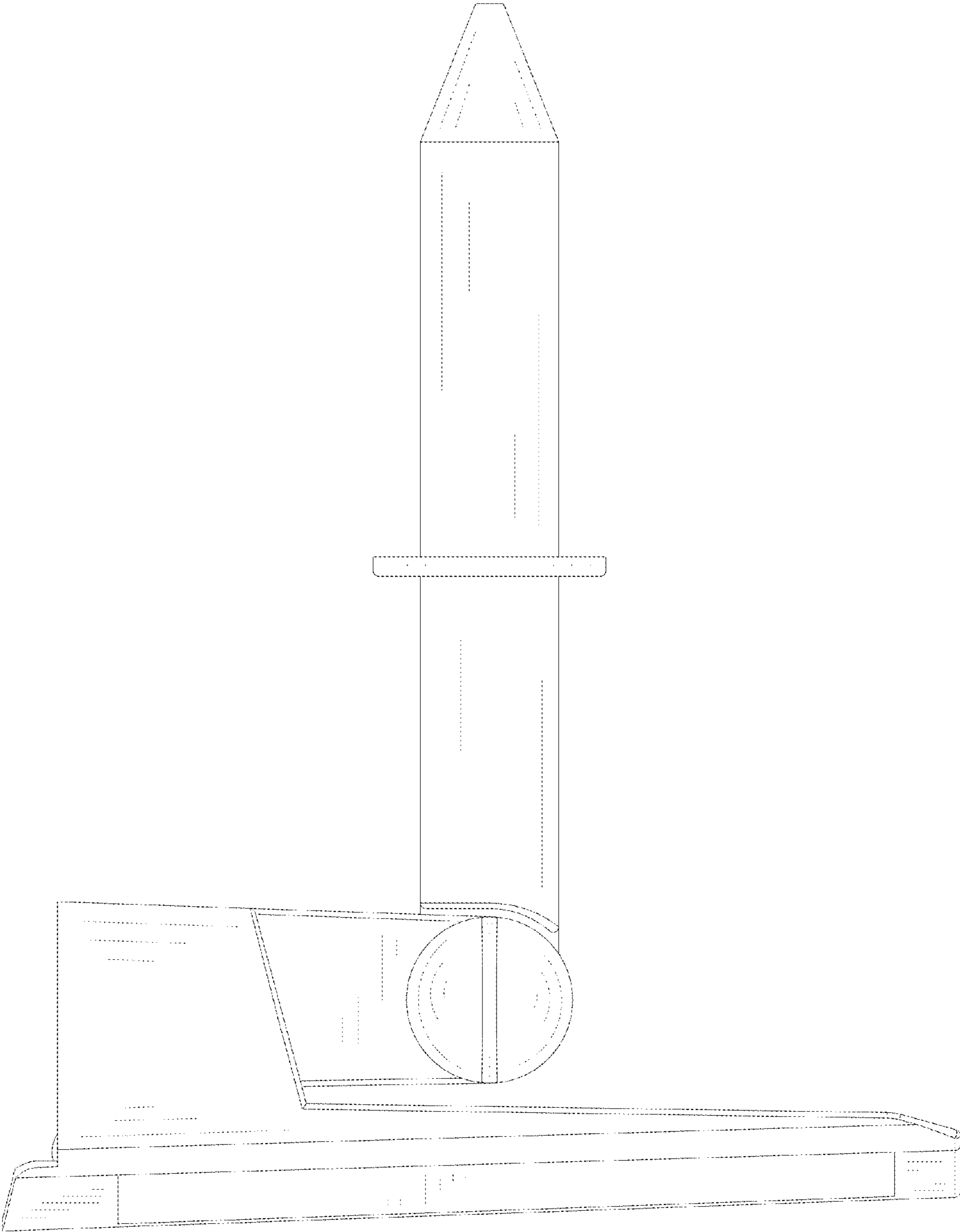


FIG. 4

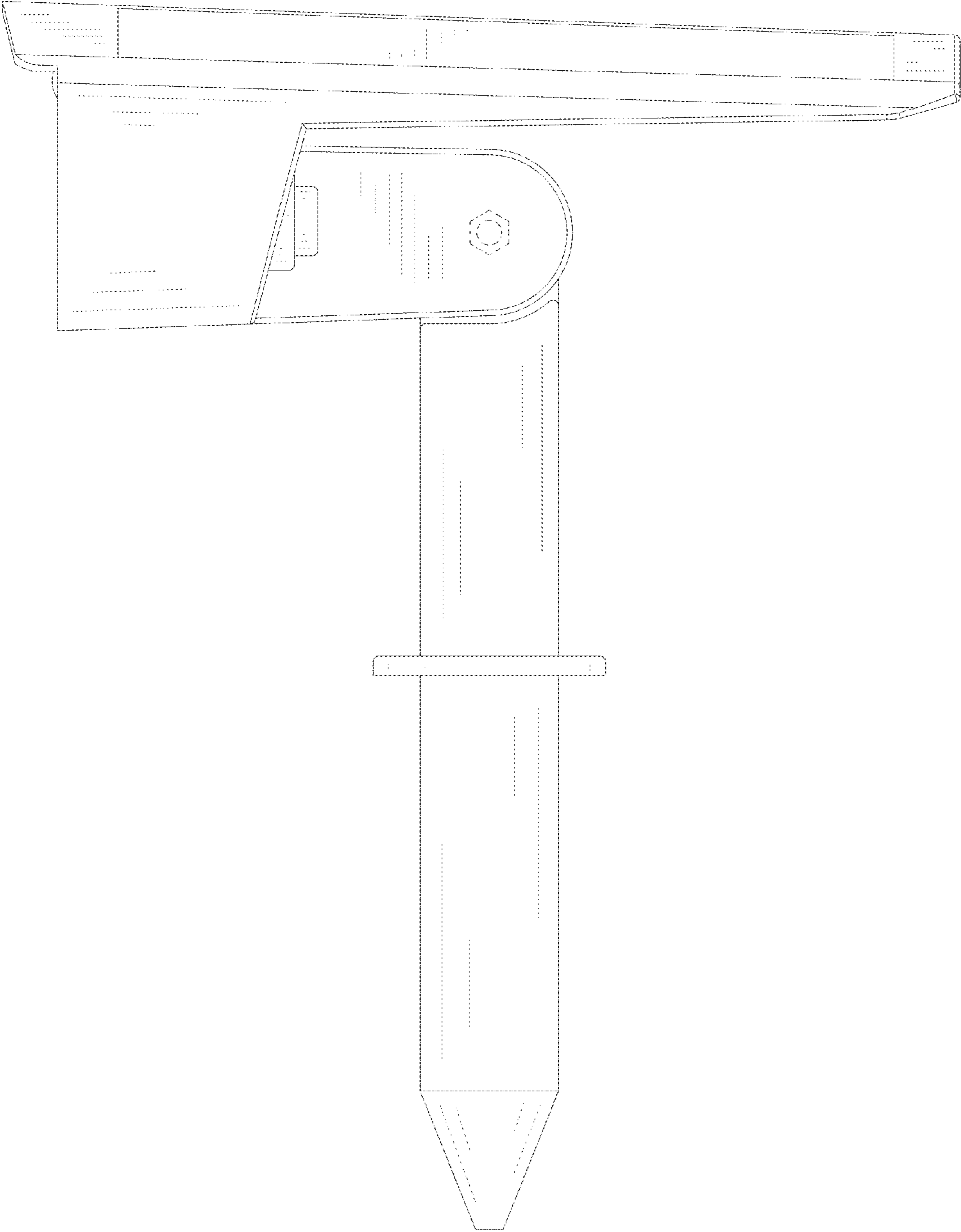


FIG. 5

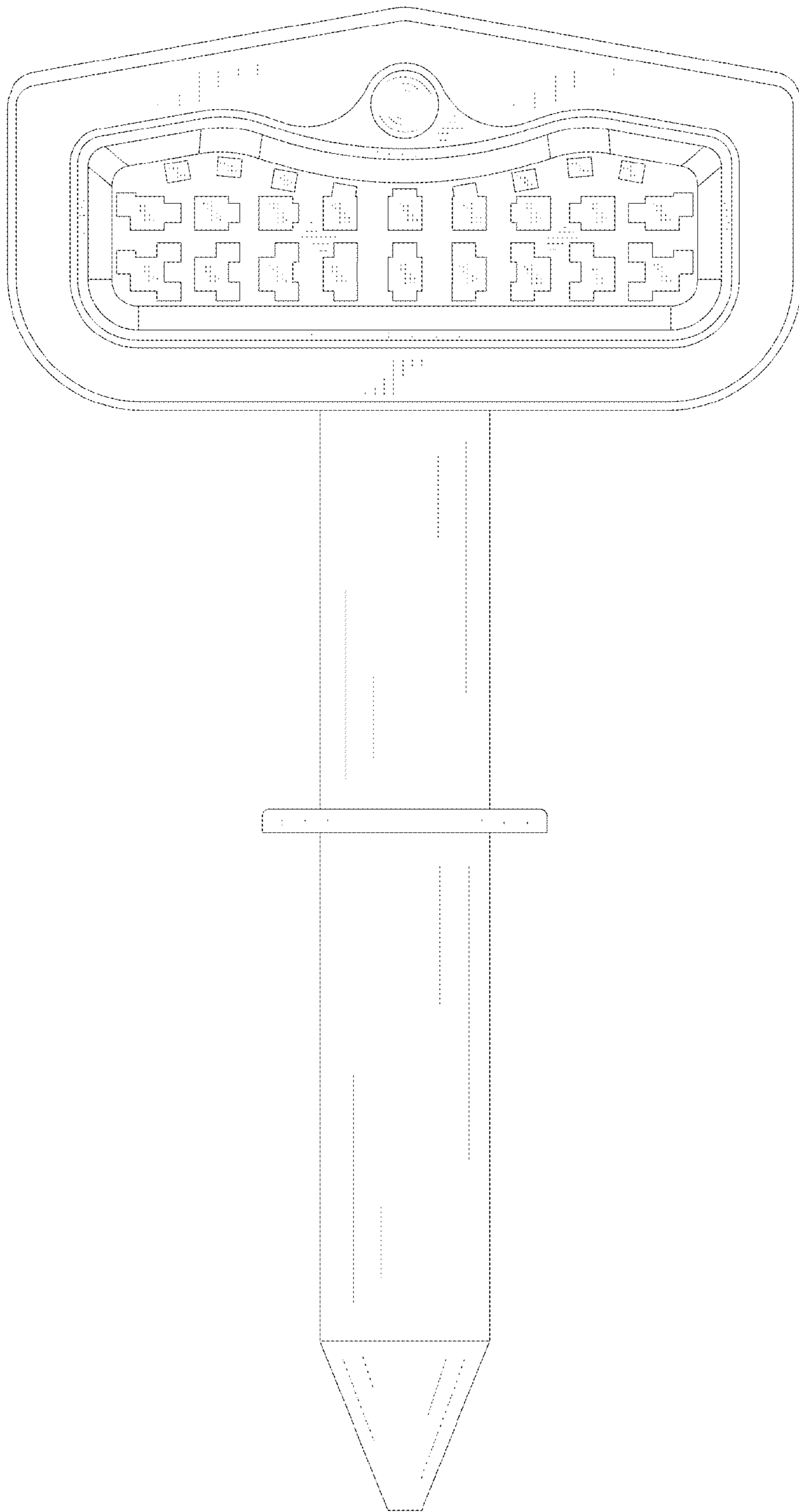


FIG. 6

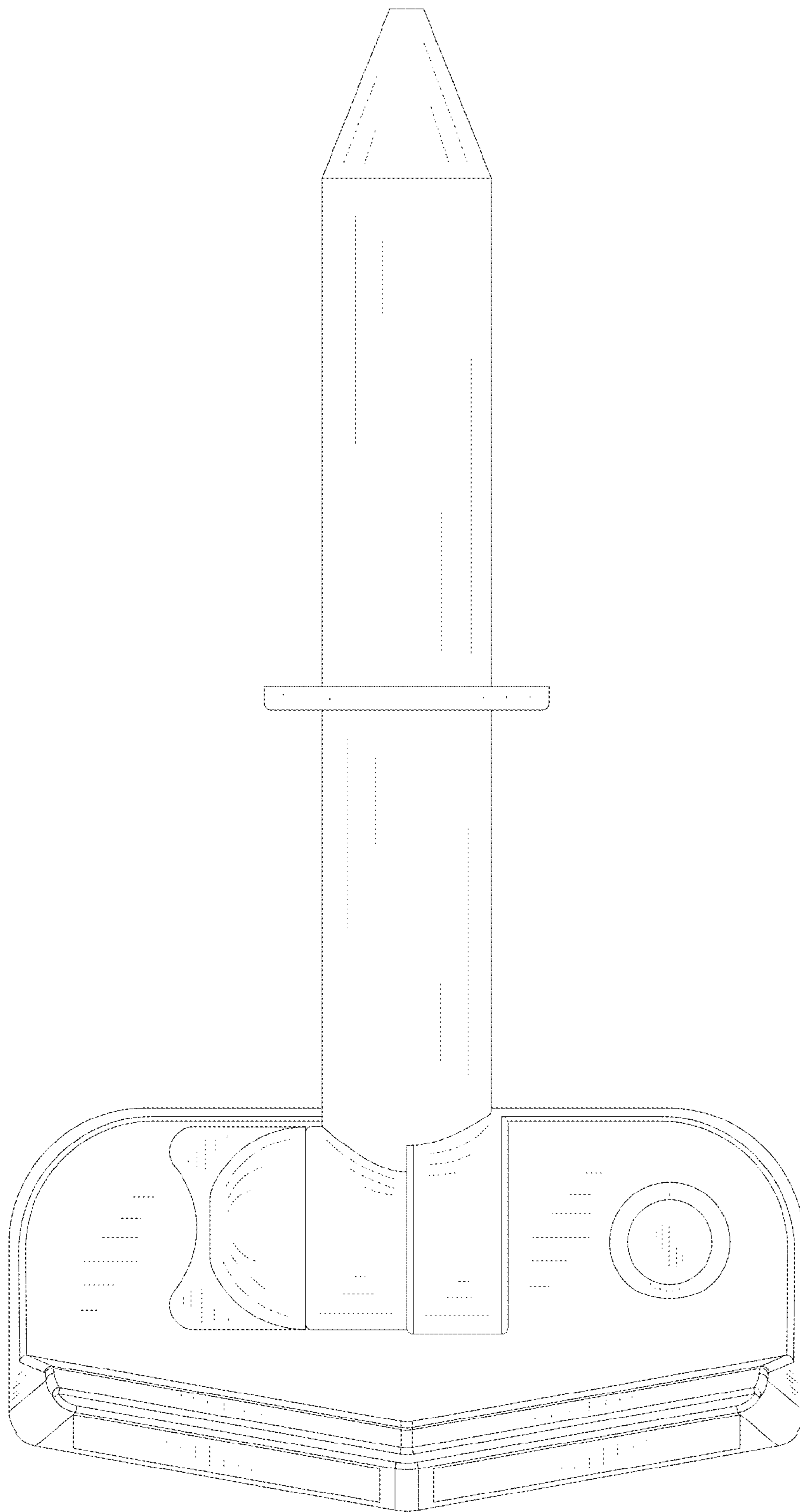


FIG. 7