



US00D965837S

(12) **United States Design Patent** (10) **Patent No.:** **US D965,837 S**
Xu (45) **Date of Patent:** **** Oct. 4, 2022**

(54) **WORK LIGHT WITH CLIP**

D953,591 S * 5/2022 Pang D26/109
D959,719 S * 8/2022 Zhao D26/65
2014/0268726 A1* 9/2014 Yu F21V 21/26
362/418

(71) Applicant: **GUANGZHOU CEFONG TECHNOLOGY CO., LTD.**
Guangzhou (CN)

FOREIGN PATENT DOCUMENTS

(72) Inventor: **Qin Xu**, Guangzhou (CN)

CN 304764229 * 8/2018
CN 306986931 * 12/2021

(73) Assignee: **GUANGZHOU CEFONG TECHNOLOGY CO., LTD.**
Guangzhou (CN)

OTHER PUBLICATIONS

(**) Term: **15 Years**

“New” reference by NeatFi on Amazon.com, date first available Aug. 20, 2020 [online], site visited Aug. 4, 2022, available from internet URL: <https://www.amazon.com/Neatfi-Lumens-LED-22-Eye-Caring/dp/B08GCF8463> (Year: 2020).*

(21) Appl. No.: **29/821,448**

(Continued)

(22) Filed: **Dec. 30, 2021**

Primary Examiner — Marissa J Cash
Assistant Examiner — Liv C Anderson

(51) **LOC (13) Cl.** **26-05**

(52) **U.S. Cl.**
USPC **D26/60; D26/63**

(57) **CLAIM**

(58) **Field of Classification Search**
USPC D26/24, 37, 43, 60–63, 64, 65, 93, 102
CPC F21K 9/00; F21K 9/20; F21L 4/00; F21L 4/005; F21L 4/06; F21S 9/00; F21S 9/02; F21V 21/042; F21V 21/08; F21V 21/088
See application file for complete search history.

The ornamental design for a work light with clip, as shown and described.

DESCRIPTION

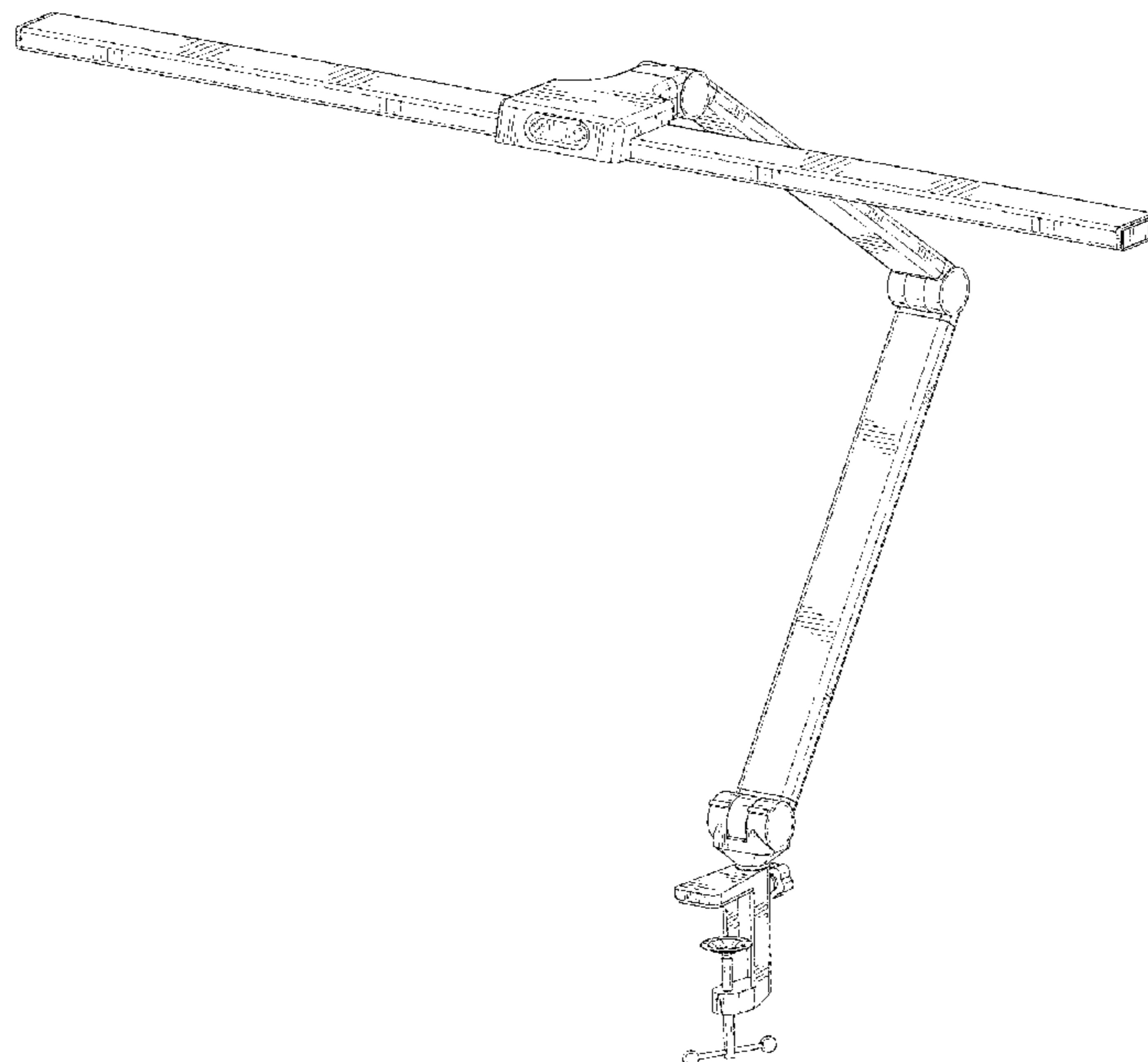
(56) **References Cited**

U.S. PATENT DOCUMENTS

D341,673 S * 11/1993 Yuen D26/65
D522,681 S * 6/2006 Chen D26/65
D780,968 S 3/2017 Jun
D811,645 S * 2/2018 Kim D26/107
D857,286 S 8/2019 Cao et al.
D859,713 S * 9/2019 Hodgson D26/62
D921,950 S * 6/2021 Ye D26/60
D946,803 S * 3/2022 Pang D26/60
D950,120 S * 4/2022 Pang D26/65

FIG. 1 is a perspective view of a work light with clip showing my new design;
FIG. 2 is another perspective view thereof;
FIG. 3 is a front elevational view thereof;
FIG. 4 is a rear elevational view thereof;
FIG. 5 is a left side elevational view thereof;
FIG. 6 is a right side elevational view thereof;
FIG. 7 is a top plan view thereof;
FIG. 8 is a bottom plan view thereof; and,
FIG. 9 is a perspective view of the work light with clip where the work light with clip is in a folded state.
The broken lines in the drawings depict portions of the work light with clip that form no part of the claimed design.

1 Claim, 9 Drawing Sheets



(56)

References Cited

OTHER PUBLICATIONS

“LED Desk Lamps with” reference by maixi on Amazon.com, date first available Sep. 13, 2021 [online], site visited Aug. 4, 2022, available from internet URL: <https://www.amazon.com/Architect-Eyes-Care-Stepless-Flexible-Gooseneck/dp/B09G32HTCC> (Year: 2021).*

“PHIVE” reference by PHIVE on Amazon.com, date first available Jan. 16, 2019 [online], site visited Aug. 4, 2022, available from internet URL: <https://www.amazon.com/PHIVE-Architect-Bright-Drafting-Brightness/dp/B07MHH9Q7B> (Year: 2019).*

“LED Desk Lamp Metal” reference by MediAcous Direct on Amazon.com, date first available Oct. 20, 2021 [online], site visited Aug. 4, 2022, available from internet URL: <https://www.amazon.com/Polarized-Architect-Eye-Caring-Dimmable-Brightness/dp/B09DVXKLMS/> (Year: 2021).*

* cited by examiner

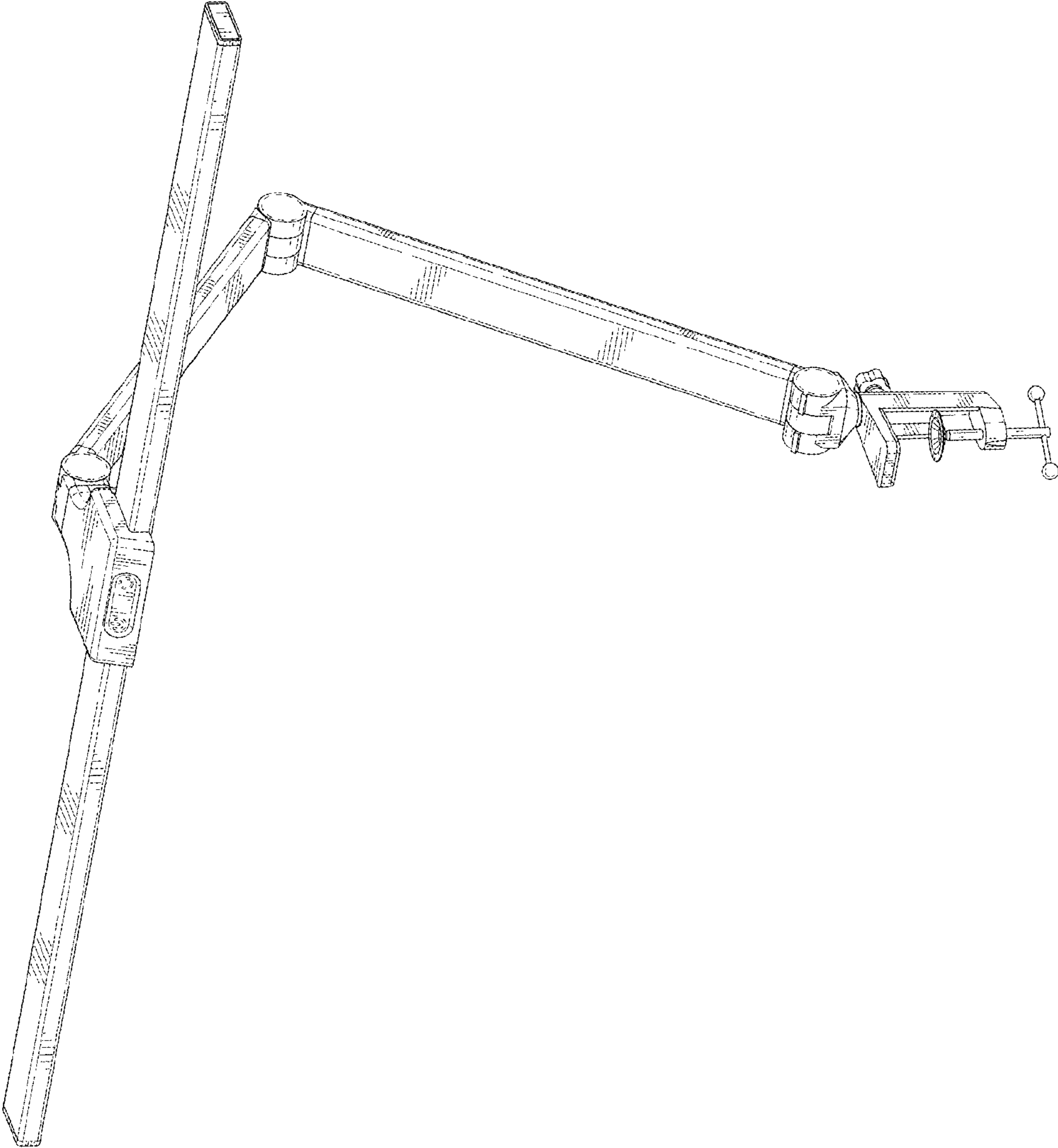


FIG. 1

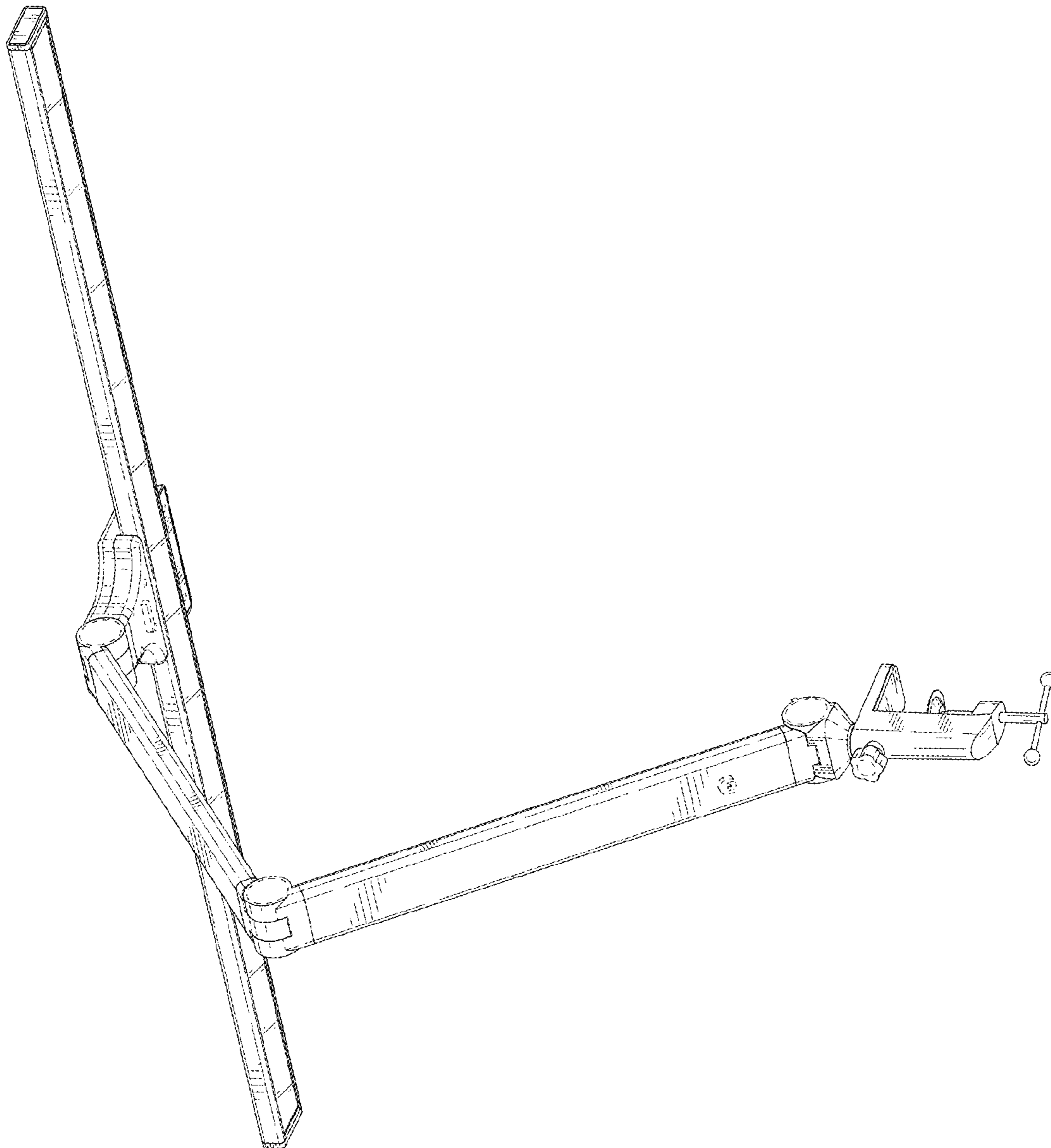


FIG. 2

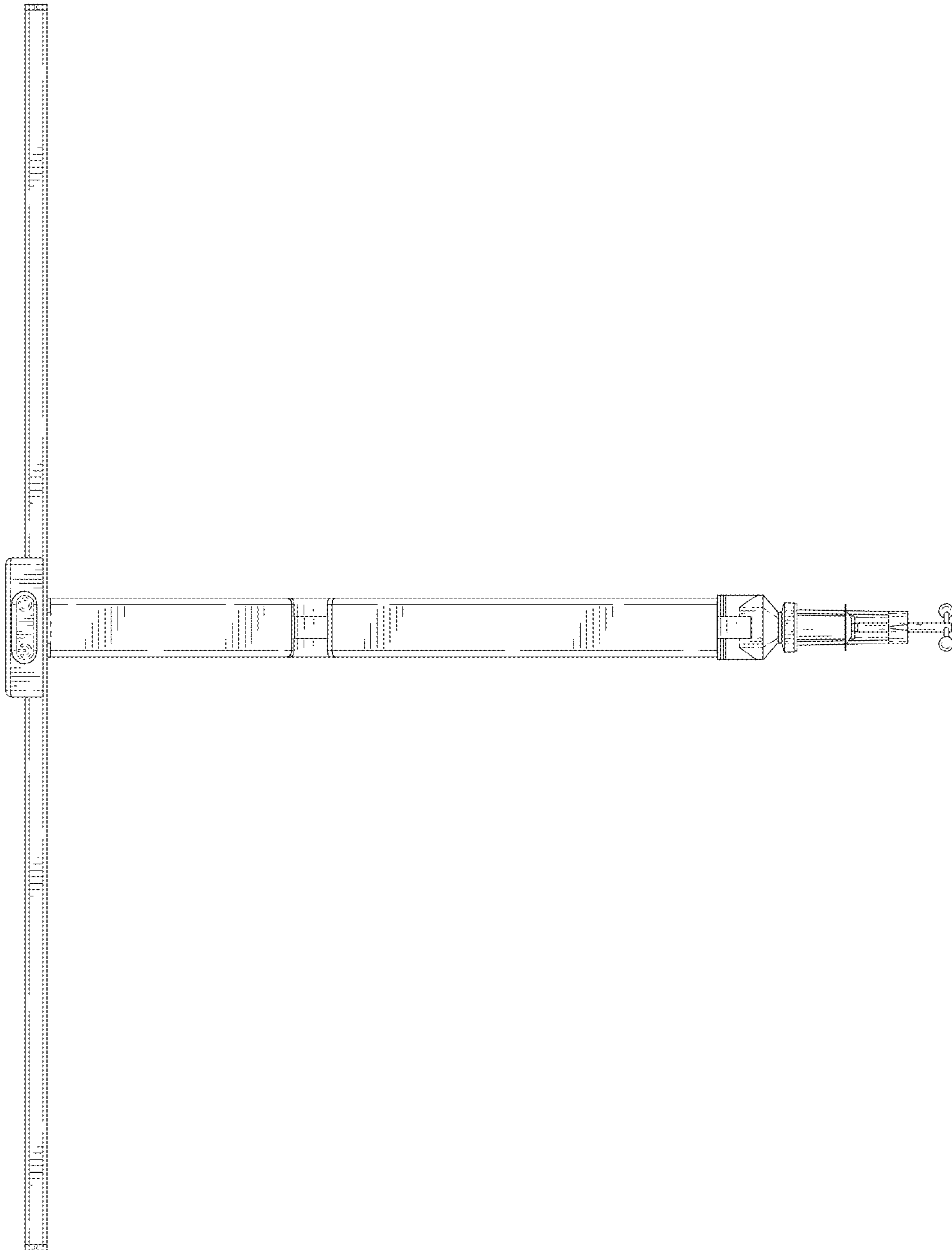


FIG. 3

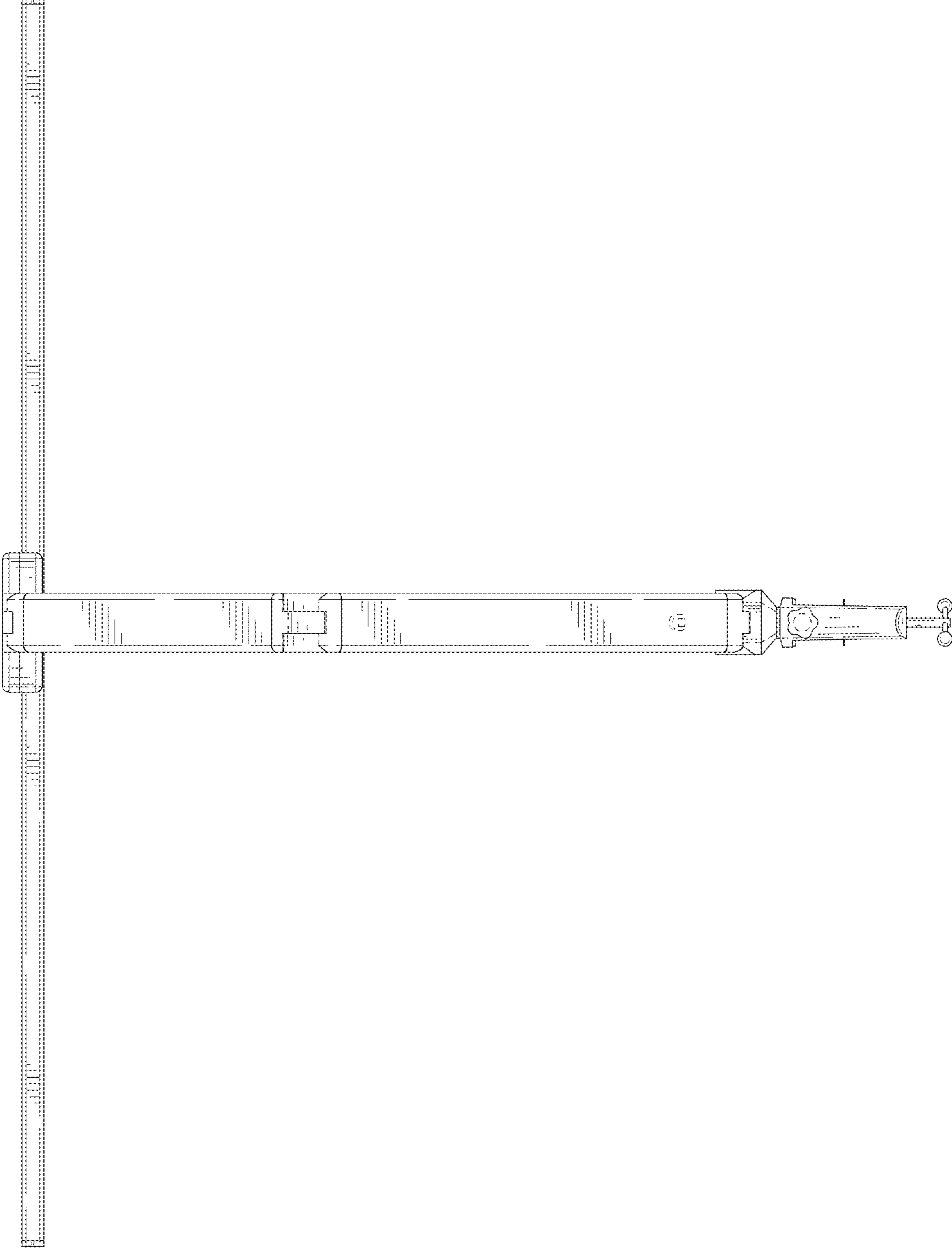


FIG. 4

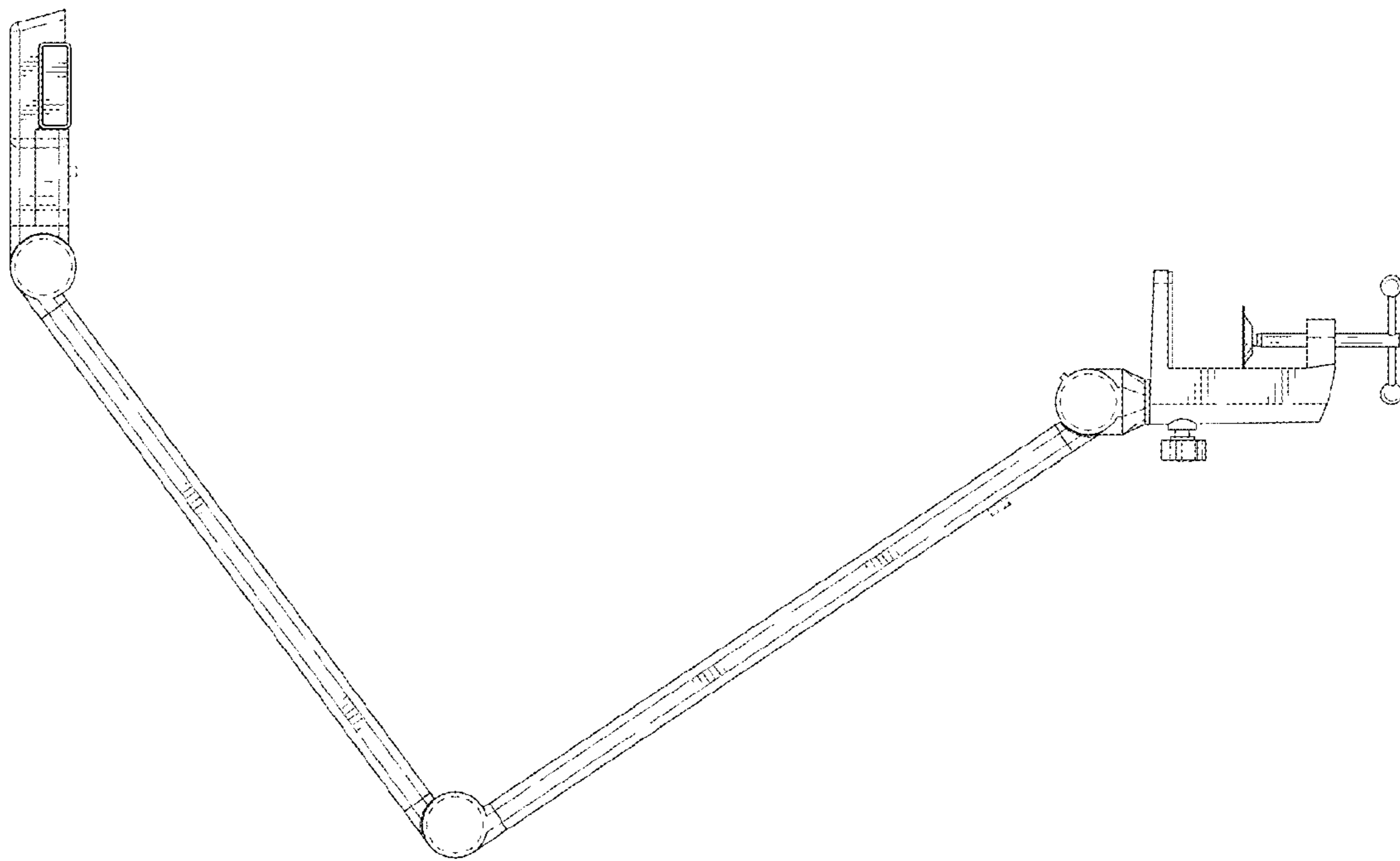


FIG. 5

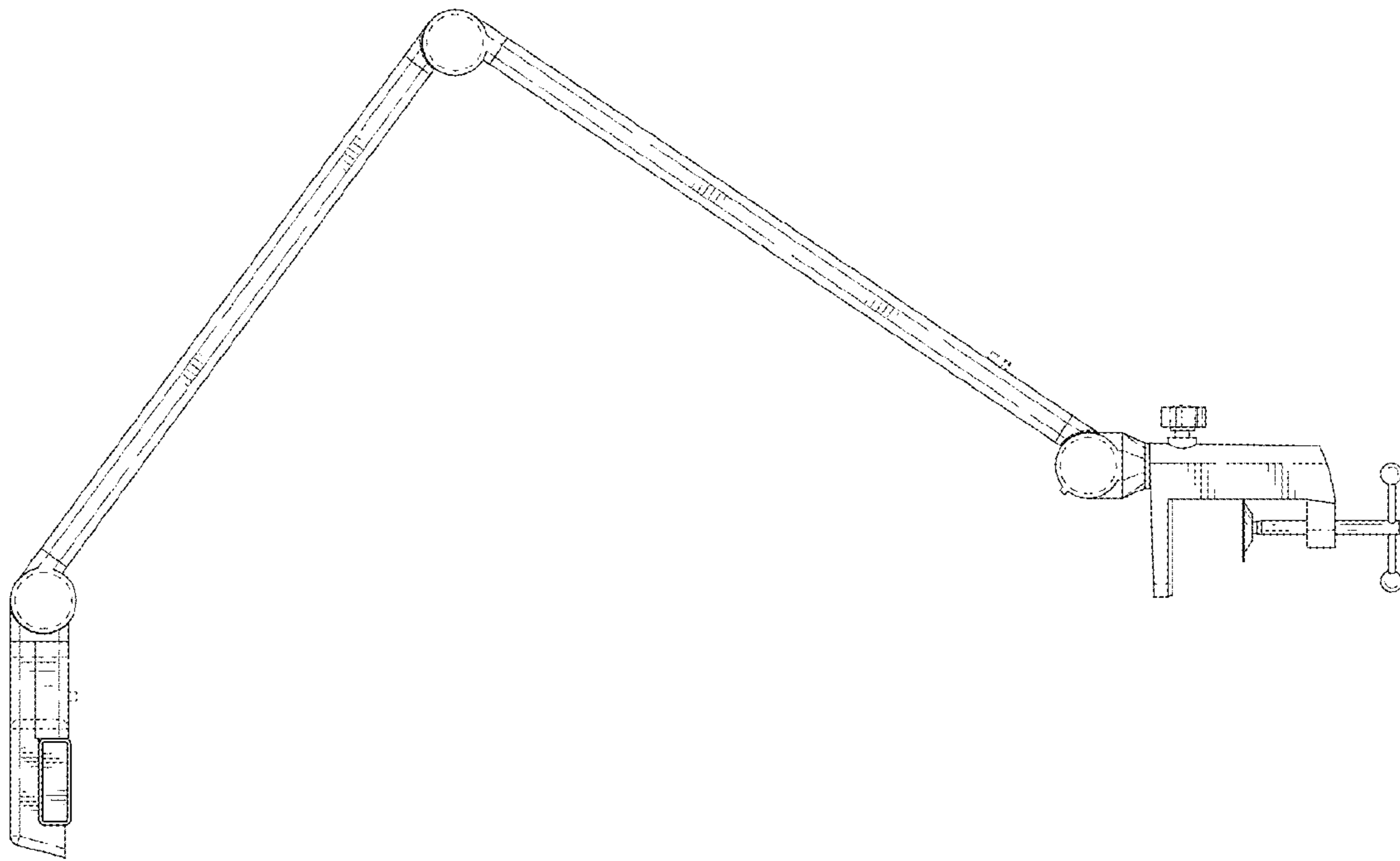


FIG. 6

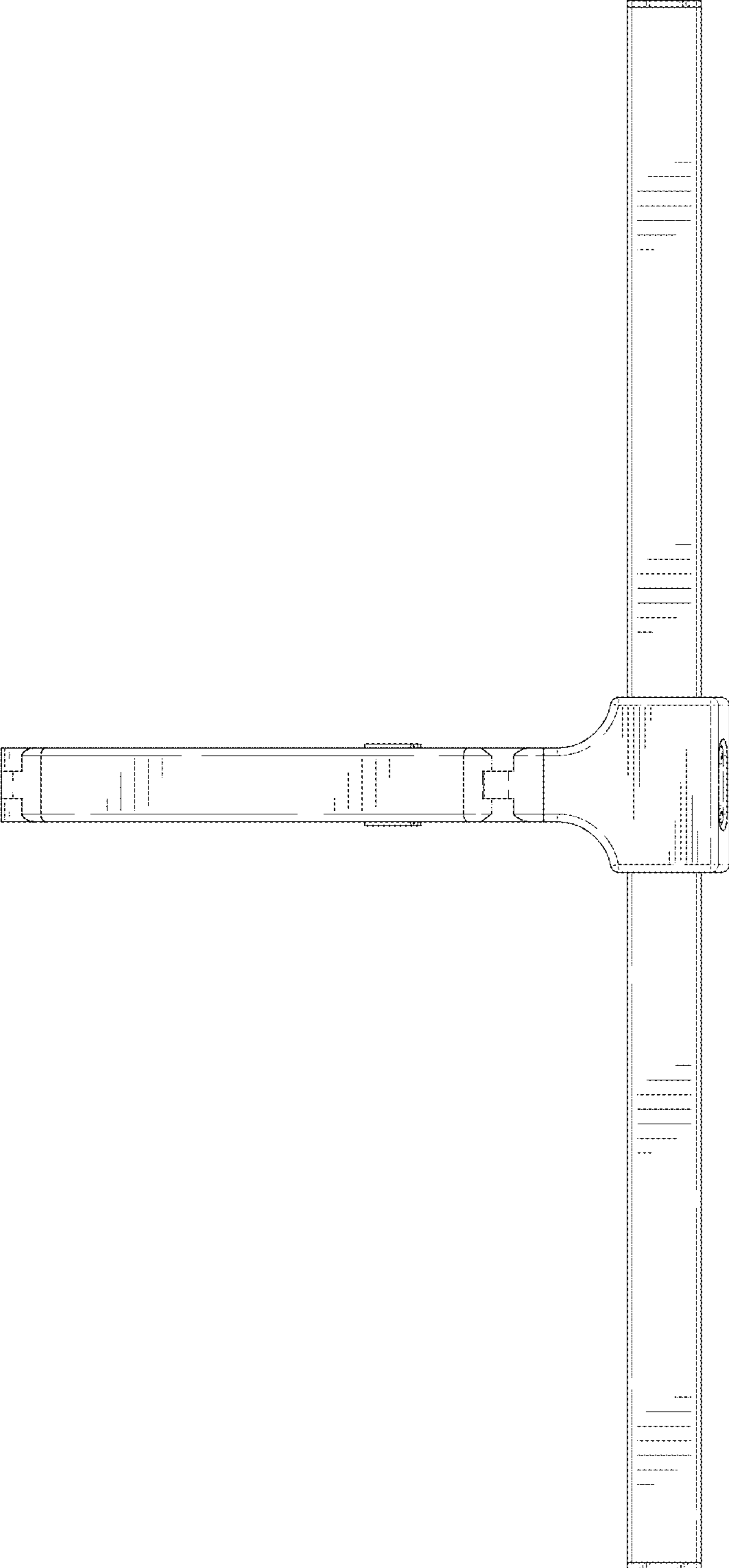


FIG. 7

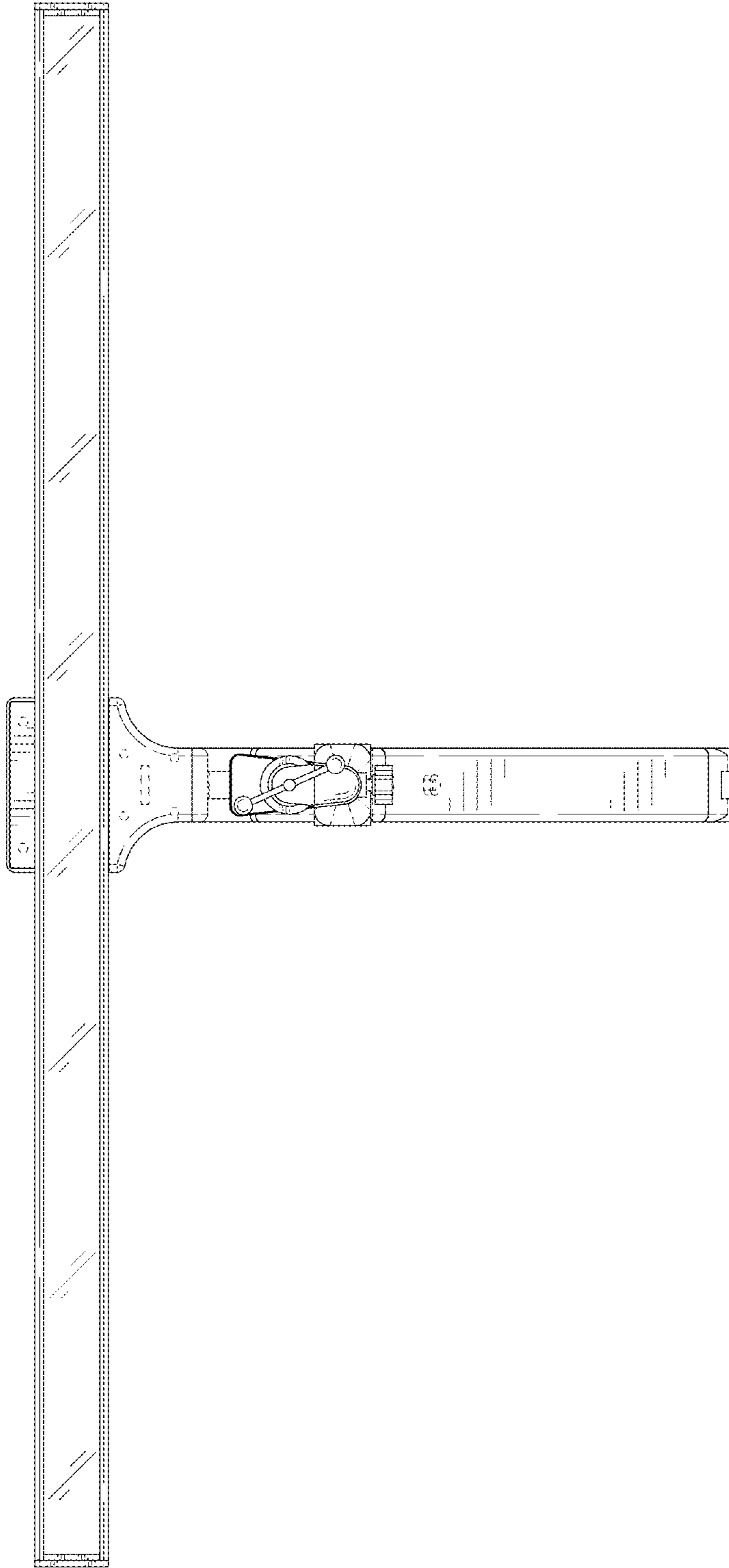


FIG. 8

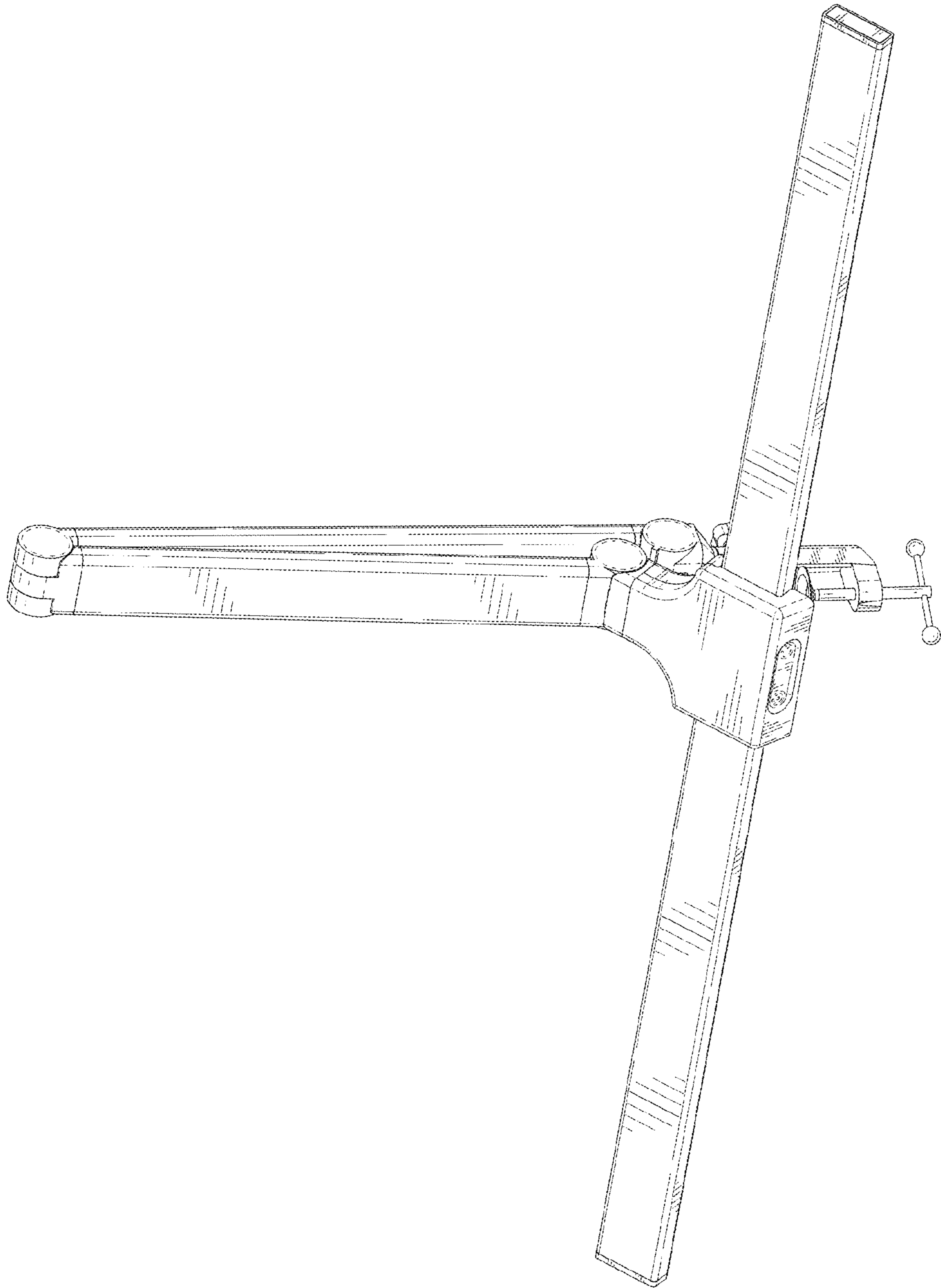


FIG. 9