



US00D965835S

(12) **United States Design Patent** (10) **Patent No.:** **US D965,835 S**
Lu (45) **Date of Patent:** **** Oct. 4, 2022**

(54) **LED RING LIGHT**

FOREIGN PATENT DOCUMENTS

(71) Applicant: **Chenhui Lu**, Zhoukou (CN)

CN 305475192 * 7/2019
GB 6091890 * 6/2020

(72) Inventor: **Chenhui Lu**, Zhoukou (CN)

OTHER PUBLICATIONS

(**) Term: **15 Years**

(21) Appl. No.: **29/753,029**

“22” reference by AMTLJ-US on Amazon.com, first available date Jul. 31, 2020 [online], site visited Apr. 20, 2022, available from internet URL: <https://www.amazon.com/Adjustable-2500K-8500K-Temperature-Recording-Conferencing/dp/B08F22QJHK> (Year: 2020).*
“Fugetek” reference by Ambertronix Official on Amazon.com, first available date Jul. 4, 2019 [online], site visited Apr. 20, 2022, available from internet URL: <https://www.amazon.com/Fugetek-Adjustable-Bluetooth-Compatible-Vlogging/dp/B07SPZH7ZB> (Year: 2019).*

(22) Filed: **Sep. 29, 2020**

(51) **LOC (13) Cl.** **26-05**

(52) **U.S. Cl.**

USPC **D26/60**; D26/63

(58) **Field of Classification Search**

USPC D26/24, 60, 61, 62, 63, 64, 65, 66, 67, D26/68, 72, 79, 37, 43, 46, 48, 49, 50

CPC F21K 9/00; F21K 9/20; F21L 4/00; F21L 4/005; F21L 4/06; F21S 9/00; F21S 9/02; F21V 21/042; F21V 21/08; F21V 21/088

See application file for complete search history.

(Continued)

Primary Examiner — Marissa J Cash

Assistant Examiner — Liv C Anderson

(56) **References Cited**

U.S. PATENT DOCUMENTS

D877,392 S *	3/2020	Yu	D26/106
D880,048 S *	3/2020	Zhu	D26/106
D886,360 S *	6/2020	Xu	D26/106
D901,054 S *	11/2020	Zhao	D16/237
D901,749 S *	11/2020	Chen	D16/237
D907,836 S *	1/2021	Zhou	D16/237
D910,220 S *	2/2021	Wang	D26/63
D910,221 S *	2/2021	Wang	D26/63
D929,024 S *	8/2021	Xiao	D16/244
D929,026 S *	8/2021	Feng	D16/244
D930,223 S *	9/2021	Ran	D16/244
D930,224 S *	9/2021	Lin	D16/244
D930,886 S *	9/2021	Xiao	D16/244
D947,432 S *	3/2022	Su	D26/63
D954,785 S *	6/2022	Liu	D16/237
D956,306 S *	6/2022	Wang	D26/63
D956,307 S *	6/2022	Wang	D26/63
2020/0281054 A1 *	9/2020	Li	F21S 9/02

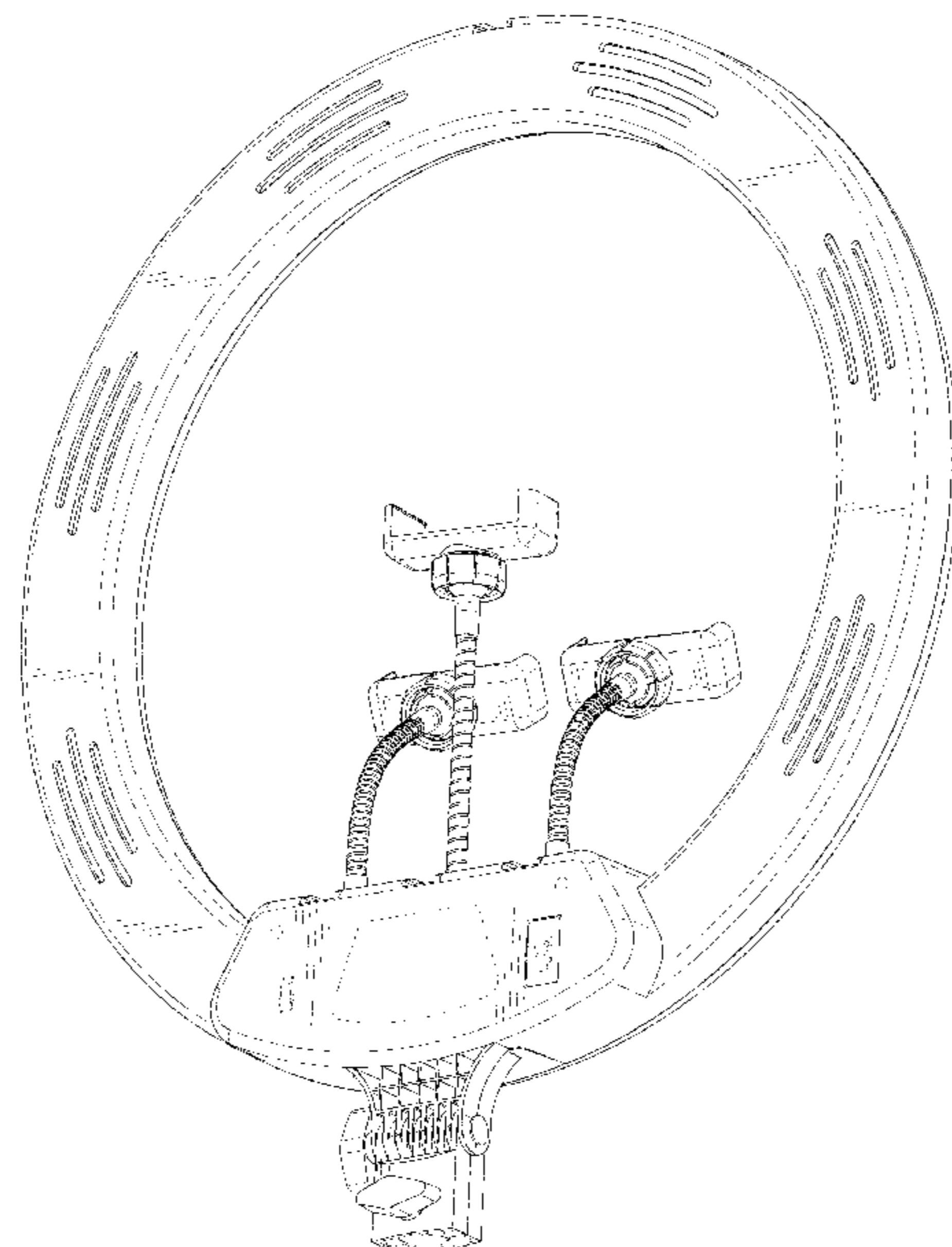
(57) **CLAIM**

The ornamental design for an LED ring light, as shown and described.

DESCRIPTION

FIG. 1 is a perspective view of an LED ring light showing my new design;
FIG. 2 is another perspective view thereof;
FIG. 3 is a front elevational view thereof;
FIG. 4 is a rear elevational view thereof;
FIG. 5 is a left side elevational view thereof;
FIG. 6 is a right side elevational view thereof;
FIG. 7 is a top plan view thereof; and,
FIG. 8 is a bottom plan view thereof.
The broken lines in the drawings depict portions of the LED ring light that form no part of the claimed design.

1 Claim, 8 Drawing Sheets



(56)

References Cited

OTHER PUBLICATIONS

“Raya” reference by iStockOnline on Amazon.com, first available date Aug. 12, 2020 [online], site visited Apr. 20, 2022, available from internet URL: <https://www.amazon.com/Raya-Bendie-Brite-Folding-Bi-Color-Light/dp/B08FRQ8FVB> (Year: 2020).*

“18” reference by HODAY Official on Amazon.com, first available date Jul. 13, 2020 [online], site visited Apr. 20, 2022, available from internet URL: <https://www.amazon.com/Dimmable-Portrait-Shooting-Carrying-Controller/dp/B08CTJ6WBX> (Year: 2020).*

* cited by examiner

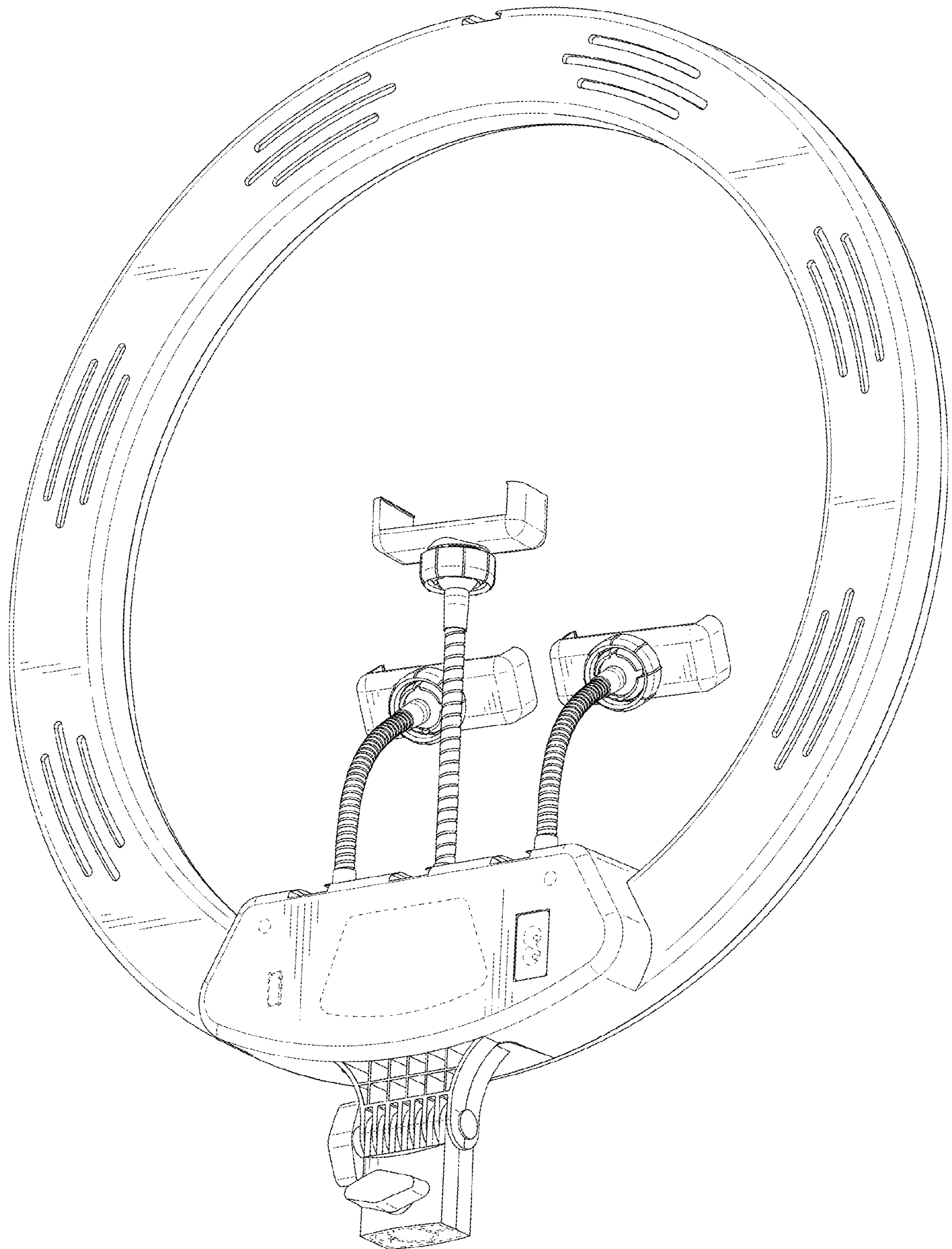


FIG. 1

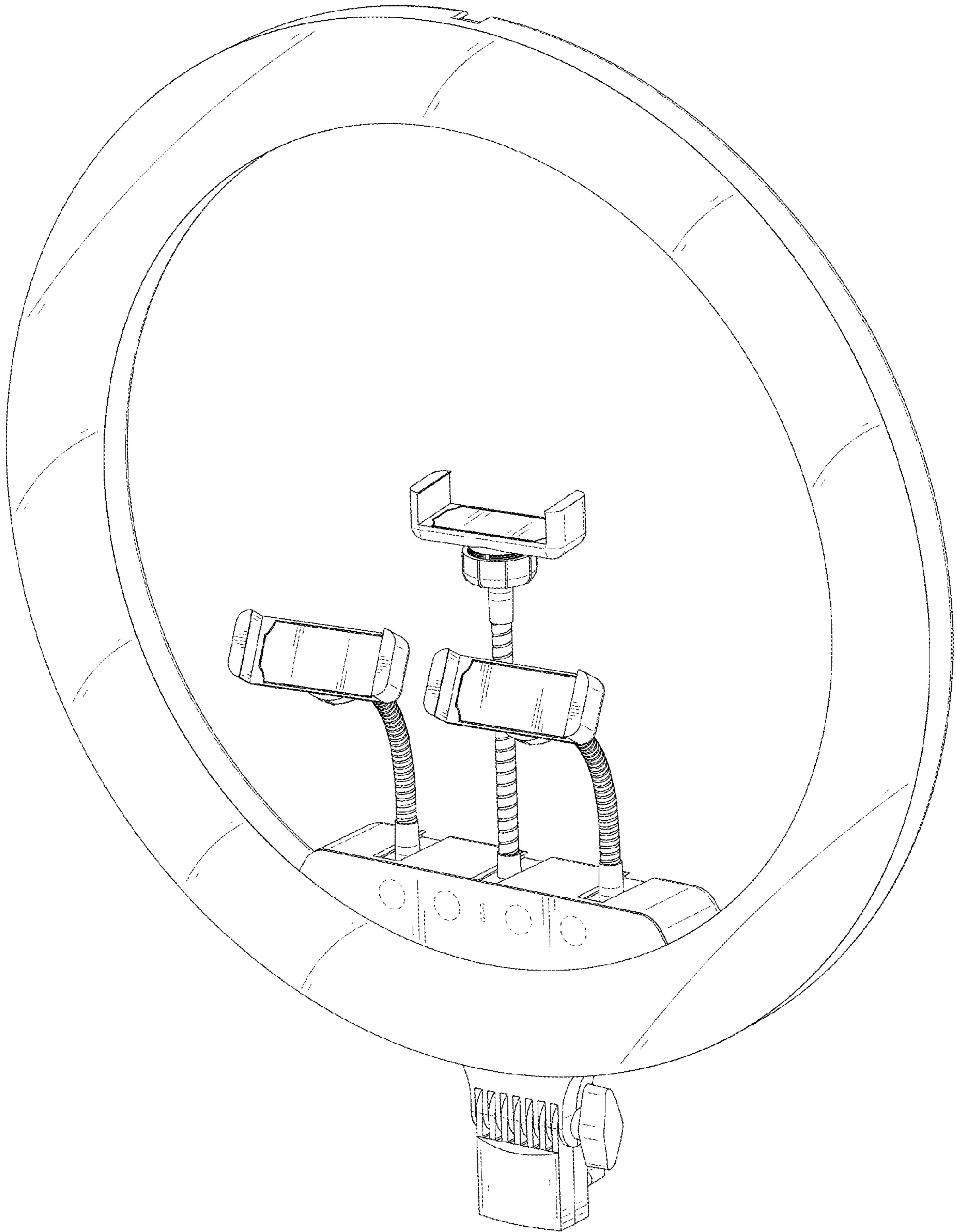


FIG. 2

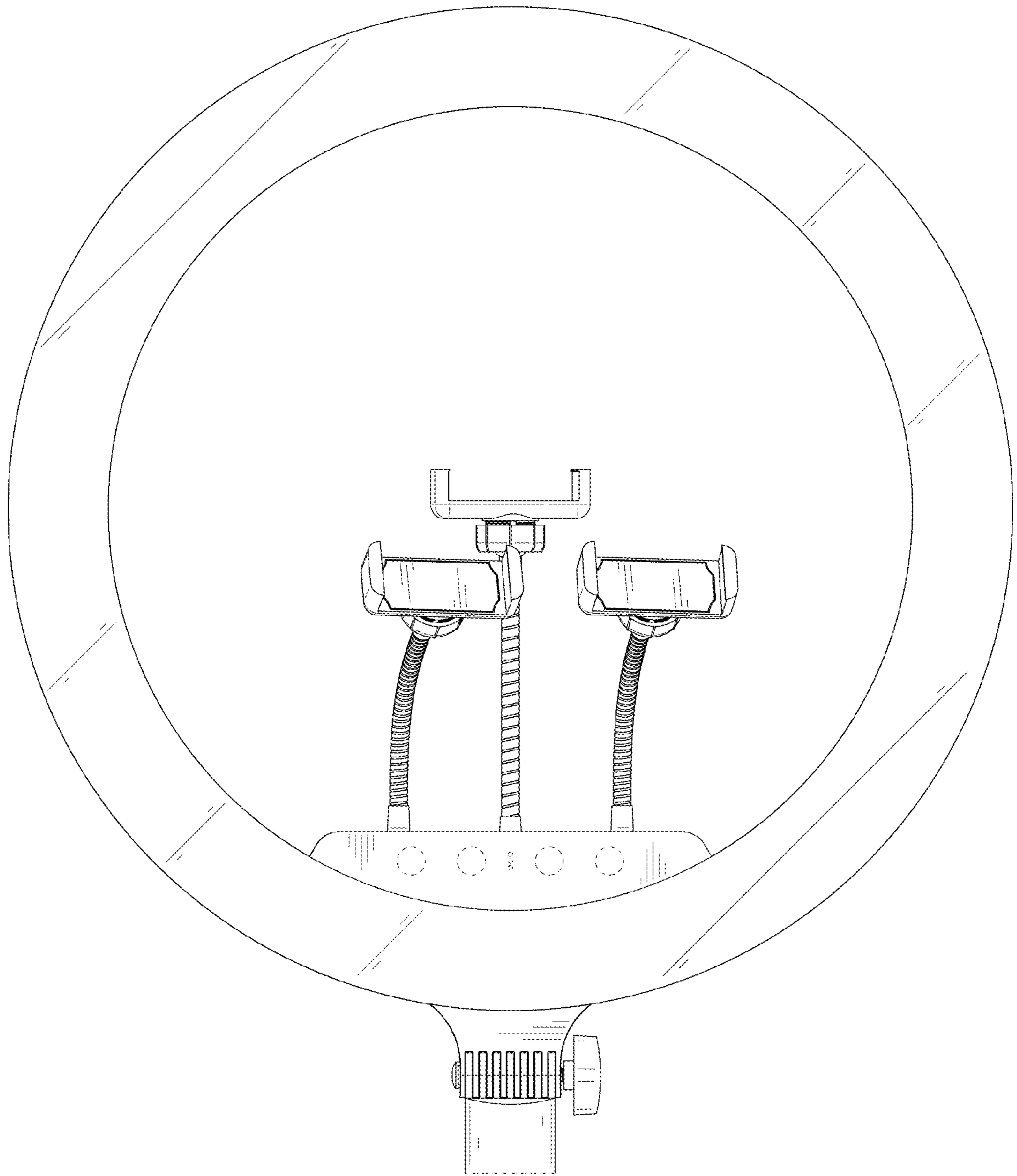


FIG. 3

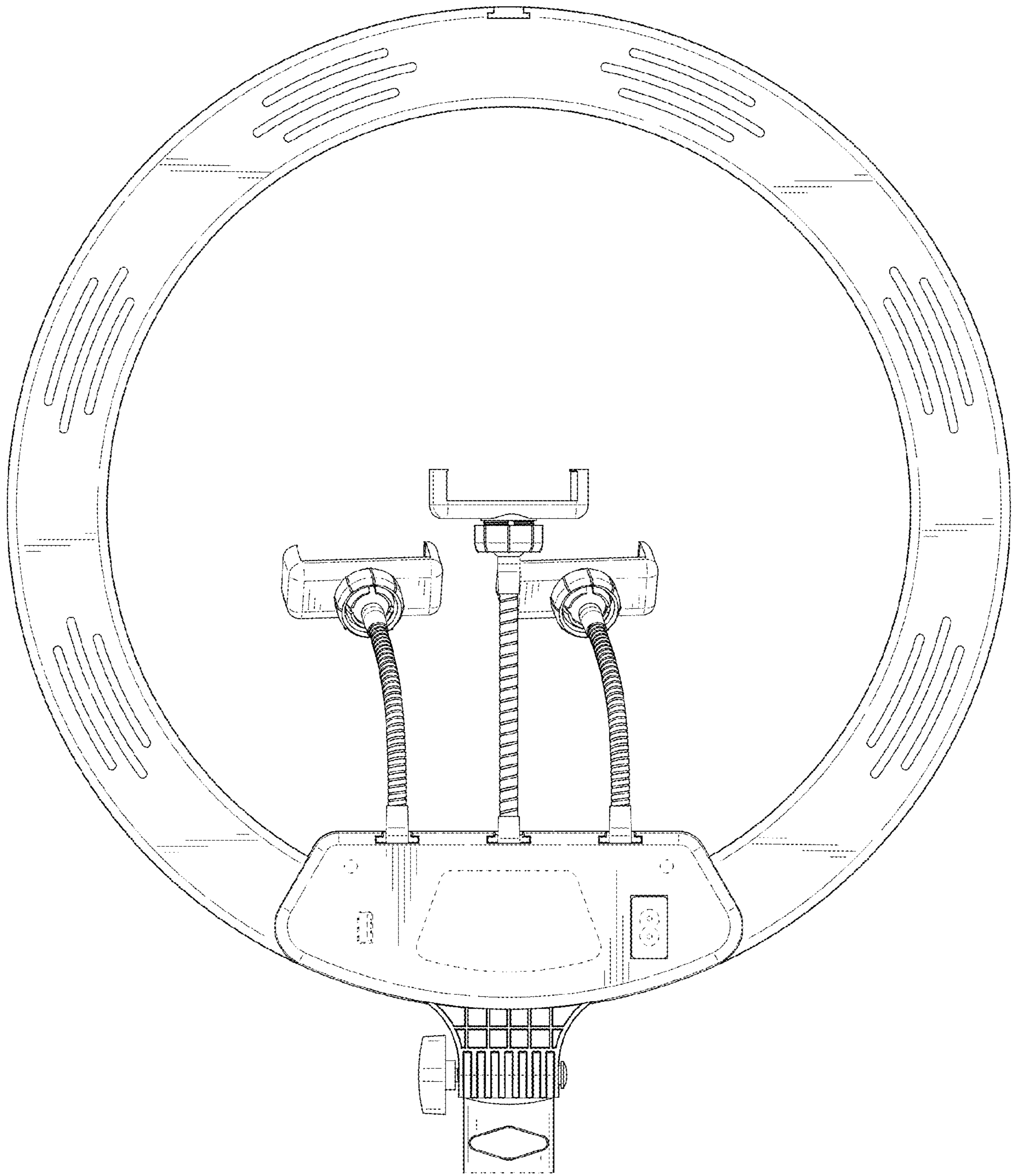


FIG. 4

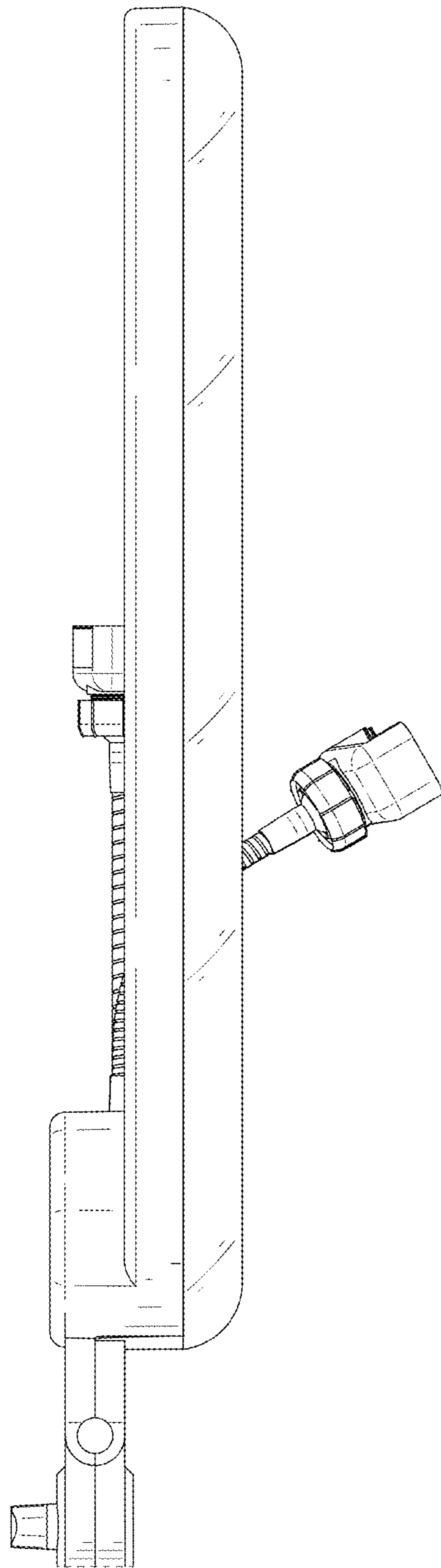


FIG. 5

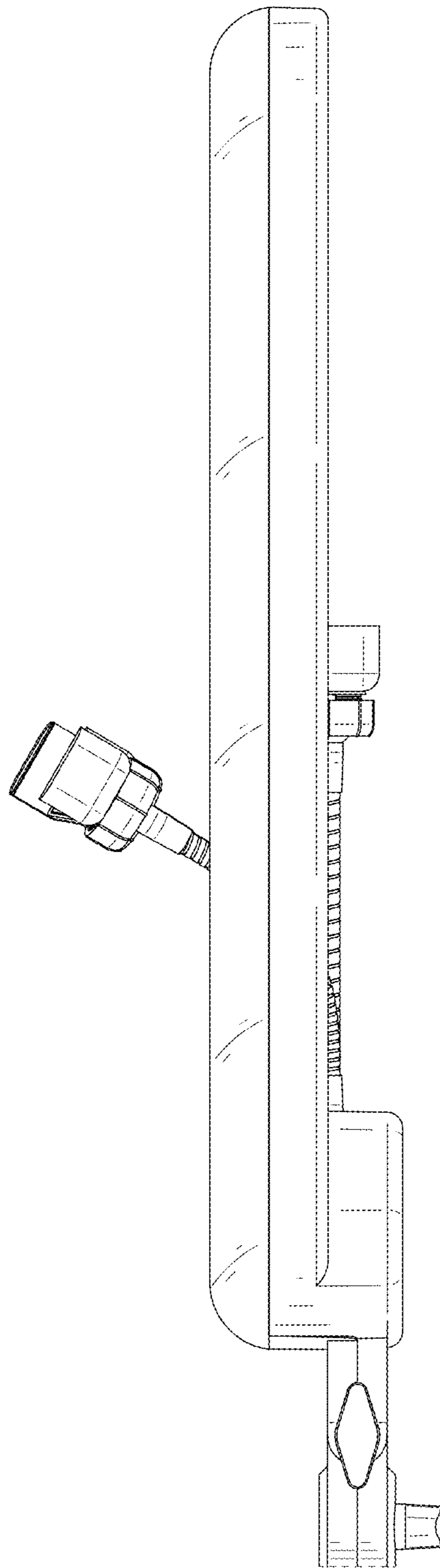


FIG. 6

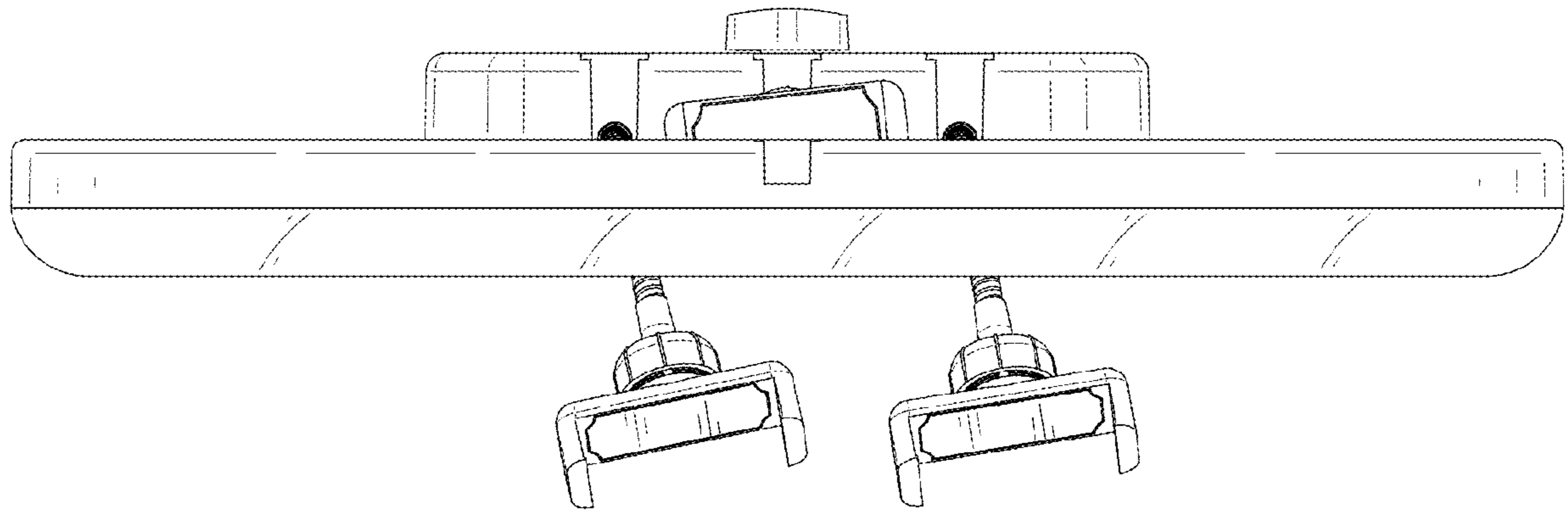


FIG. 7

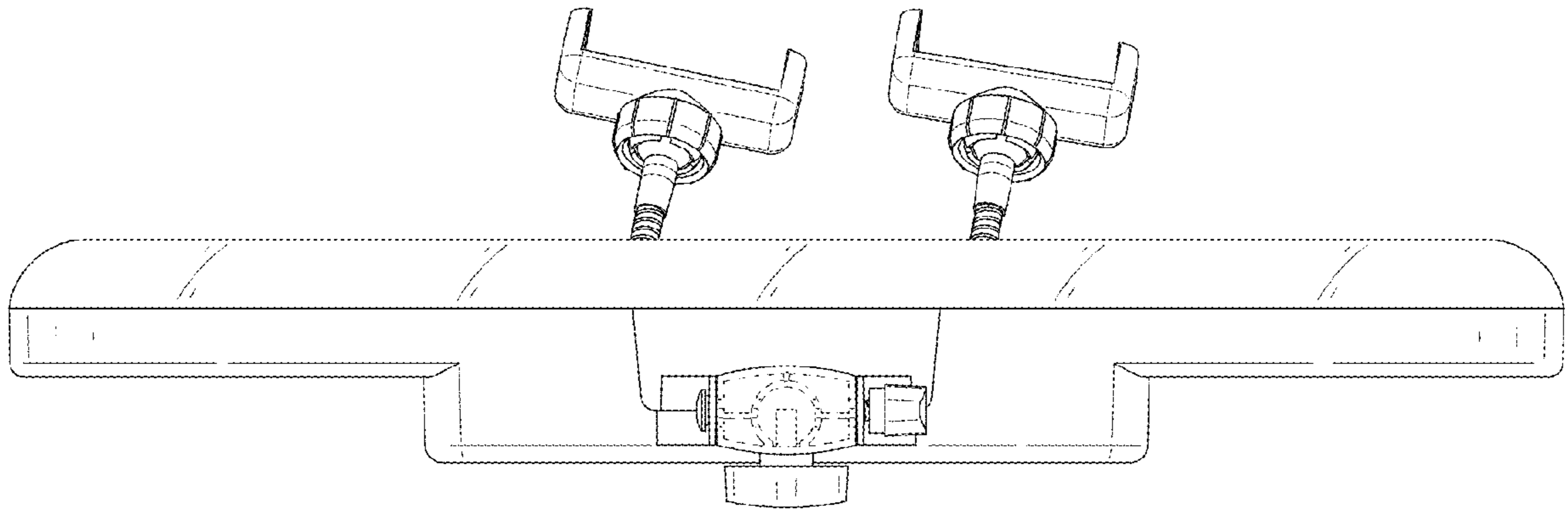


FIG. 8