



US00D965834S

(12) **United States Design Patent** (10) **Patent No.:** **US D965,834 S**
Lerebours et al. (45) **Date of Patent:** **** Oct. 4, 2022**

(54) **DOME LIGHT**

FOREIGN PATENT DOCUMENTS

(71) Applicant: **Hill-Rom Services, Inc.**, Batesville, IN (US)

CN 3389793 * 9/2004
CN 304097792 * 4/2017

(Continued)

(72) Inventors: **Theophile Reginald Lerebours**, Cary, NC (US); **Kiana Dezelon**, Cary, NC (US); **Patrice Etchison**, Raleigh, NC (US)

OTHER PUBLICATIONS

“NNC—Centrak Connectivity,” Jan. 24, 2014, <https://www.vendorportal.ecms.va.gov> (online PDF), site visited May 11, 2022, URL: <https://www.vendorportal.ecms.va.gov/FBODocumentServer/DocumentServer.aspx?DocumentId=4558504&FileName=36C24418Q9515-A00002002.pdf> (Year: 2014).*

(Continued)

(73) Assignee: **HILL-ROM SERVICES, INC.**, Batesville, IN (US)

(**) Term: **15 Years**

Primary Examiner — Eric L Goodman

Assistant Examiner — Sarah L Smith

(21) Appl. No.: **29/709,388**

(74) *Attorney, Agent, or Firm* — Alston & Bird LLP

(22) Filed: **Oct. 14, 2019**

(51) **LOC (13) Cl.** **26-05**

(52) **U.S. Cl.**
USPC **D26/52**

(58) **Field of Classification Search**
USPC D26/37–44, 46–52; D10/111–115
CPC G08B 5/00; G08B 5/36; G08B 1/00; G09F 13/0436; G09F 13/04
See application file for complete search history.

(57) **CLAIM**

We claim the ornamental design for a dome light, as shown and described.

DESCRIPTION

FIG. 1 is a perspective view of a dome light showing our new design, shown in a wall-mount configuration; FIG. 2 is a front elevation view thereof; FIG. 3 is a right side elevation view thereof; FIG. 4 is a left side elevation view thereof; FIG. 5 is a top plan view thereof; FIG. 6 is a bottom plan view thereof; FIG. 7 is a perspective view of another embodiment thereof, shown in a ceiling-mount configuration; FIG. 8 is a front elevation view thereof; FIG. 9 is a rear elevation view thereof; FIG. 10 is a right side elevation view thereof; FIG. 11 is a left side elevation view thereof; and, FIG. 12 is a bottom plan view thereof. The broken lines illustrate features of a dome light that form no part of the claimed design.

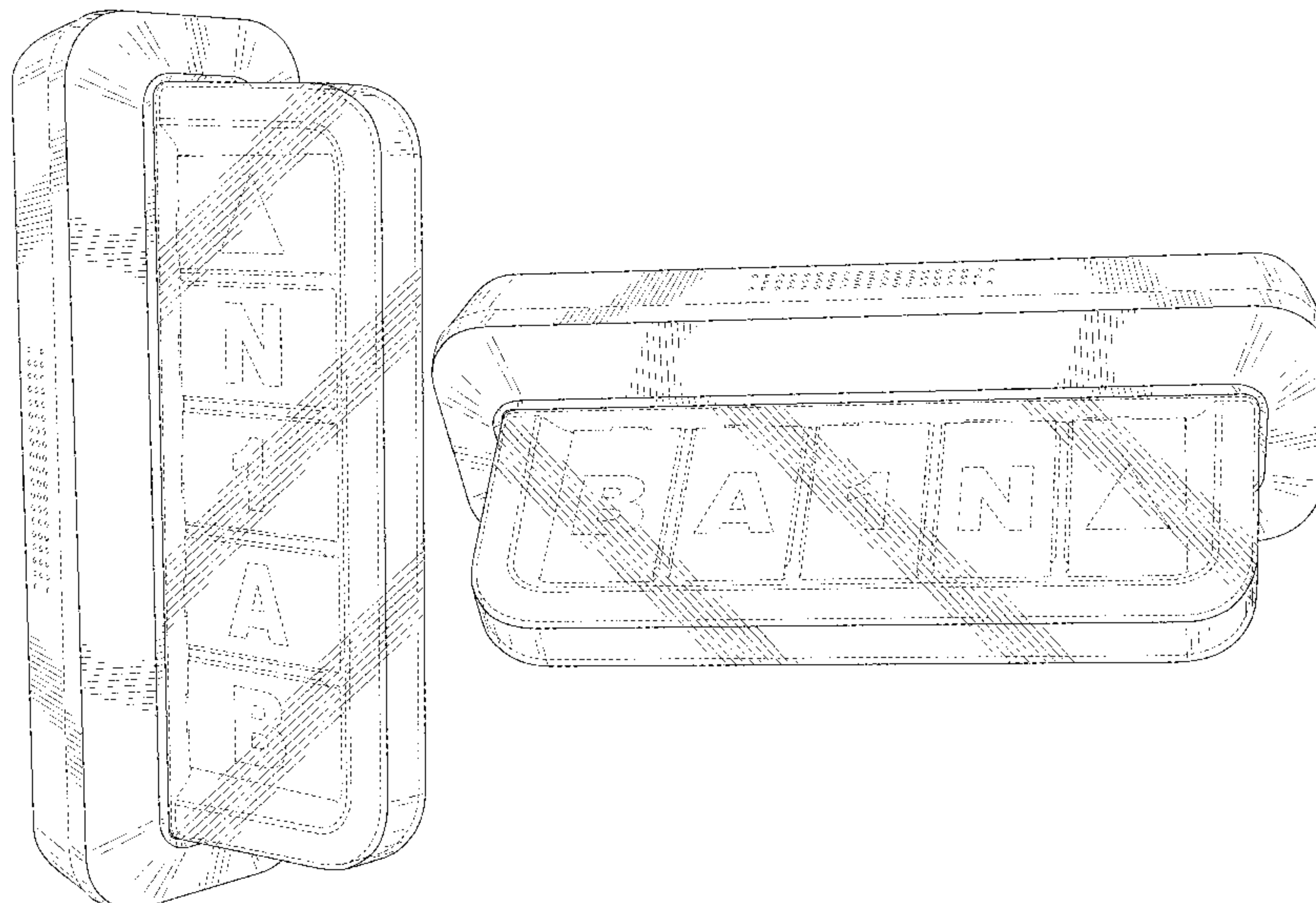
(56) **References Cited**

U.S. PATENT DOCUMENTS

1,301,586 A * 4/1919 Miller G09F 13/04
40/576
D150,564 S * 8/1948 Gordon D26/108
2,511,411 A * 6/1950 Mitchell G08B 5/00
40/616
2,693,657 A * 11/1954 Dwinell G09F 13/04
40/574
D189,857 S * 3/1961 Lasker D26/85
3,516,187 A * 6/1970 Espinosa G09F 13/04
40/574

(Continued)

1 Claim, 10 Drawing Sheets



(56)

References Cited

U.S. PATENT DOCUMENTS

4,075,775 A * 2/1978 Shorette G09F 13/04
40/559
D315,928 S * 4/1991 Flieder D20/17
5,048,210 A * 9/1991 Taylor G09F 13/04
40/575
D343,915 S * 2/1994 Baader D26/74
6,693,514 B2 * 2/2004 Perea, Jr. G08B 5/36
362/225
D504,531 S * 4/2005 Bhavnani D26/38
D555,263 S * 11/2007 Consorte D26/37
D556,617 S * 12/2007 Darolfi D10/114.3
D565,774 S * 4/2008 Martineau G09F 13/04
D26/85
D592,985 S * 5/2009 Barnett D10/114.1
D608,674 S * 1/2010 Lyons G08B 5/36
D10/114.4
D640,947 S * 7/2011 Martin D10/114.3
D646,827 S * 10/2011 Van Gompel G09F 13/04
D26/74
D787,728 S * 5/2017 Wing D26/37
D803,457 S * 11/2017 Hendifar G09F 13/04
D26/86
D875,978 S * 2/2020 Willows D26/39
D882,442 S * 4/2020 Tomney G08B 5/36
D10/114.1
D884,232 S * 5/2020 Liu D26/37
D889,712 S * 7/2020 Liu G09F 13/04
D26/37
D892,044 S * 8/2020 Zhang G09F 13/04
D13/108
D896,417 S * 9/2020 Huang G09F 13/04
D26/37
D915,920 S * 4/2021 Deyaf G08B 5/00
D10/114.1
D920,228 S * 5/2021 He G09F 13/04
D13/102
D941,512 S * 1/2022 Saboo D26/38
2017/0018212 A1 * 1/2017 Bauer G09F 13/0413

FOREIGN PATENT DOCUMENTS

EP 1612471 A1 * 1/2006
EP 2169641 A2 3/2010
JP 2011060469 A * 3/2011
JP D1426009 * 10/2011
JP D1463538 * 3/2013
KR 20100058102 A 6/2010
KR 101661614 B1 10/2016

OTHER PUBLICATIONS

“Tektone Sound and Signal LI382LED Dome Lt,” Nov. 23, 2015, amazon.com, site visited May 11, 2022, URL: <https://www.amazon.com/Tektone-Sound-Signal-LI382LED-Dome/dp/B018NPZB98> (Year: 2015).*

“Stony Brook Medicine,” 2019, sbmedx.uhmc.sunysb.edu, site visited Jan. 25, 2022, URL: <https://sbmedx.uhmc.sunysb.edu/cit/pubs/ACE/MART%20HilRom%20Nurse%20Console%20Dome%20Lights.pdf> (Year: 2019).*

“Arial Dome Lights” [online] [retrieved Oct. 17, 2019], retrieved from the Internet, URL: <https://www.stanleyhealthcare.com/products/arial-dome-lights> dated (2019).

“Corridor Light Model 352000” [online] [retrieved Oct. 17, 2019], retrieved from the Internet, URL: <https://torrencesound.com/product/corridor-light-model-352000/> (undated).

“Corridor Lights” [online] [retrieved Oct. 17, 2019], retrieved from the Internet, URL: <https://www.ascom.com/products/category/corridor-devices/corridor-lights.html> dated (2019).

“Disrupting Nurse Call” [online] [retrieved Oct. 17, 2019], retrieved from the Internet, URL: <https://medicalconnectivity.com/2019/06/07/disrupting-nurse-call/> dated (2019).

“Dome Light and Zone Light Installation” [online] [retrieved Oct. 17, 2019], retrieved from the Internet, URL: https://multi.masterlibrary.com/Clients/2/Products/13078/NNC%20CutSheet_DomeLights.pdf (undated).

“GE Telligence System Overview” [online] [retrieved Oct. 17, 2019], retrieved from the Internet, URL: <https://www.canfieldsystems.com/pdf/Telligence10.pdf> dated (2006).

“Hill Rom Nurse Call System Dome Light 8 P2506NNC8A00” [online] [retrieved Oct. 17, 2019], retrieved from the Internet, URL: <https://www.ebay.com/itm/Hill-Rom-Nurse-Call-System-Dome-Light-8-P2506NNC8A00-/173182751244> (undated).

“NaviCare Nurse Call Horizontal Icon Based LED Dome Light” [online] [retrieved Oct. 17, 2019], retrieved from the Internet, URL: <https://www.bimobject.com/en/hill-rom/product/navicare-nurse-call-dlh> dated (May 6, 2018).

“NaviCare Nurse Call Single LED Dome Light” [online] [retrieved Oct. 17, 2019], retrieved from the Internet, URL: <https://www.bimobject.com/en-us/hill-rom/product/navicare-nurse-call-dls> dated (May 6, 2018).

“NaviCare Nurse Call Vertical Icon Based LED Dome Light” [online] [retrieved Oct. 17, 2019], retrieved from the Internet, URL: <https://www.bimobject.com/en/hill-rom/product/navicare-nurse-call-dlv> dated (May 6, 2018).

“NC-DL-22-RW” [online] [retrieved Oct. 17, 2019], retrieved from the Internet, URL: <https://www.tech4people.com/catalog/products/nc-dl-22/> (undated).

“Responder 5 Nurse Call System” [online] [retrieved Oct. 17, 2019], retrieved from the Internet, URL: <https://www.omnia-health.com/product/responder-5-nurse-call-system> dated (2019).

“Responder 5000 Elements” [online] [retrieved Oct. 17, 2019], retrieved from the Internet, URL: <https://www.rauland.com/healthcare/r5k/cnf/elements#elements> dated (2019).

“TekTone LI380LED Corridor Dome Light Nursecall System” [online] [retrieved Oct. 17, 2019], retrieved from the Internet, URL: <https://www.amazon.ca/TekTone-LI380LED-Corridor-Nursecall-System/dp/B01LYX44GK> dated (Dec. 19, 2016).

“TekTone LI380LED Corridor Dome Light” [online] [retrieved Oct. 17, 2019], retrieved from the Internet, URL: http://www.becaudio.com/Shop/index.php?main_page=popup_image&pID=15618&zenid=kspch11kia1rjsqjgprvu98vn3 (undated).

“TekTone LI386LED Addressable Dome/Zone Light Nursecall System” [online] [retrieved Oct. 17, 2019], retrieved from the Internet, URL: <https://becintegrated.com/tektone-li386led-addressable-dome-zone-light-nursecall-system> dated (2018).

“UAB Nurses Drive Implementation of New Call Light Protocol” [online] [retrieved Oct. 17, 2019], retrieved from the Internet, URL: <https://www.uabmedicine.org/web/careers/-/the-call-to-listen-a-new-nurse-driven-practice?inheritRedirect=true> dated (Oct. 2014).

“Jeron Room Controller w/6 Color Dome Light” [online] [retrieved Oct. 17, 2019], retrieved from the Internet, URL: <https://www.ebay.com/itm/7952-Jeron-Room-Controller-w-6-Color-Dome-Light-/112894962715> (undated).

“S-11600.jpg” [online] [retrieved Jan. 14, 2020], retrieved from the Internet, URL: <https://i.ebayimg.com/images/g/klcAAOSw-mNaLDj/s-11600.jpg> (undated).

“S-11600.jpg” [online] [retrieved Jan. 14, 2020], retrieved from the Internet, URL: <https://i.ebayimg.com/images/g/h10AAOSwUqtaLDi/s-11600.jpg> (undated).

“S-11600.jpg” [online] [retrieved Jan. 14, 2020], retrieved from the Internet, URL: <https://i.ebayimg.com/images/g/DG0AAOSwodlauTnj/s-11600.jpg> (undated).

* cited by examiner

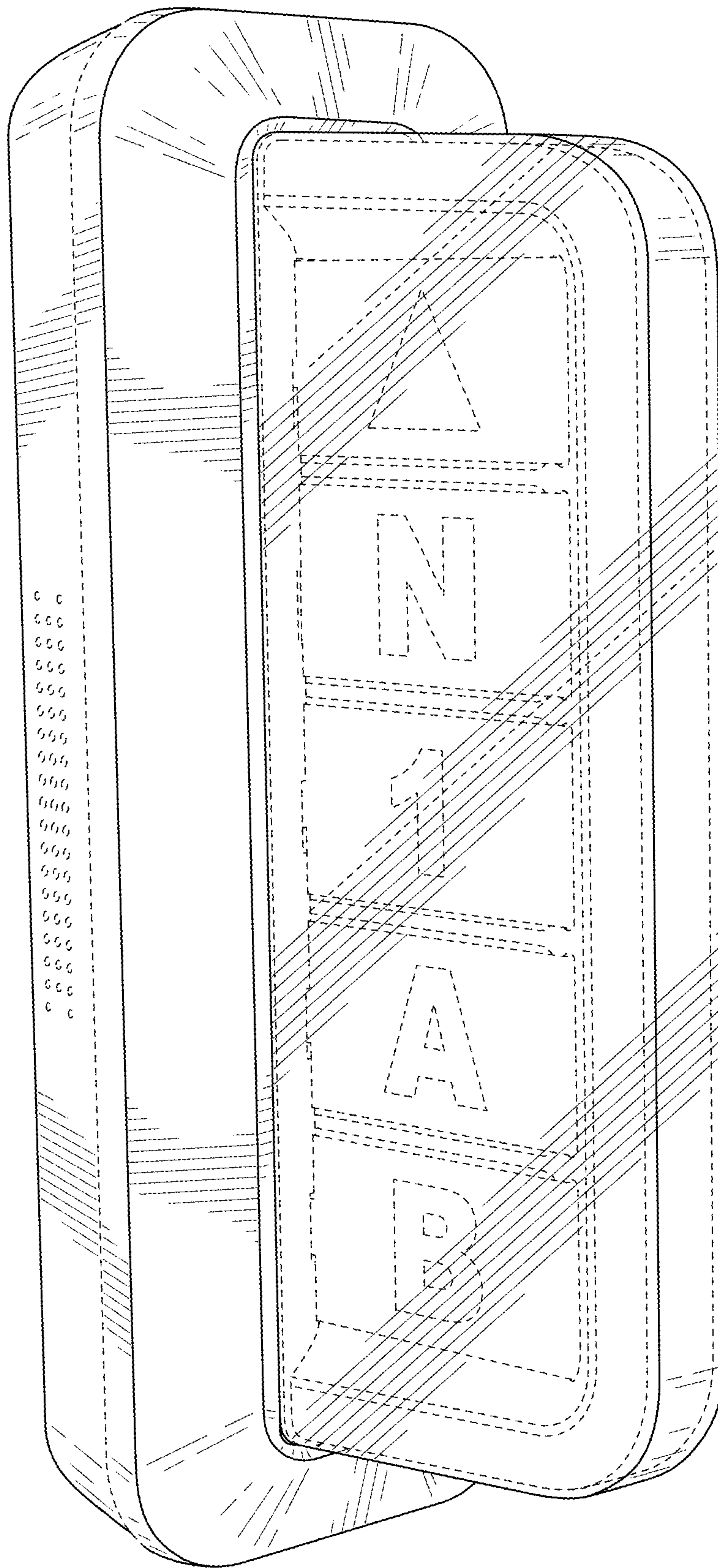


FIG. 1

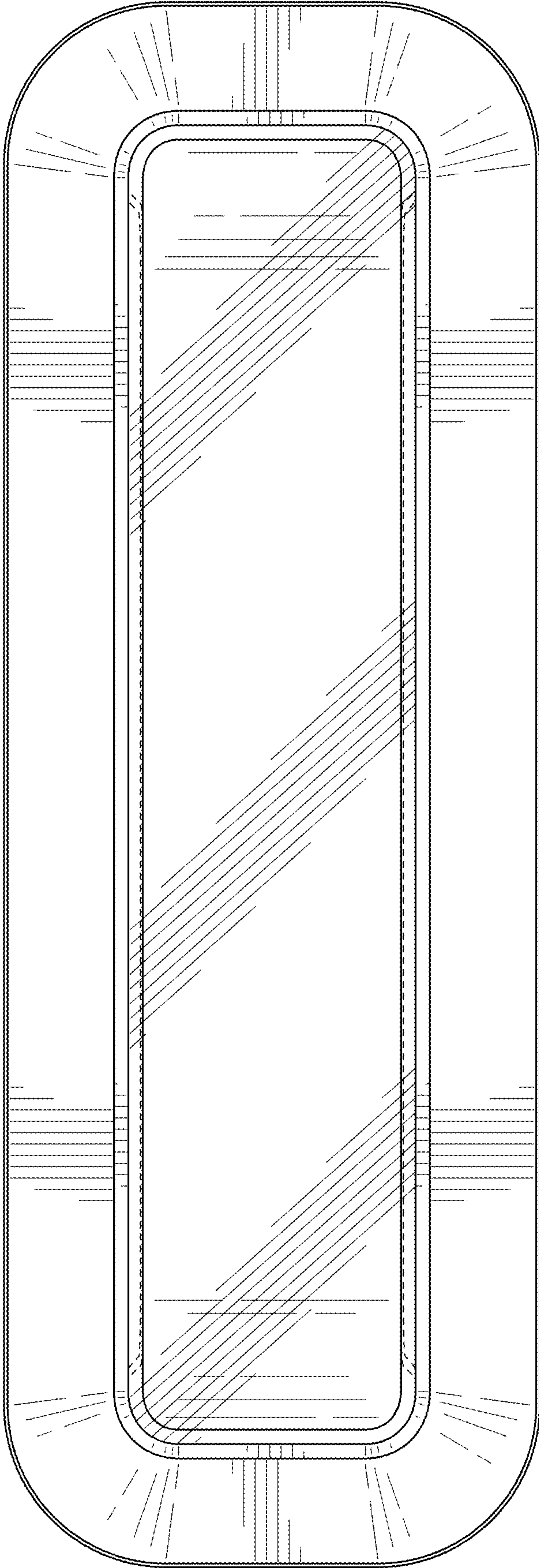


FIG. 2

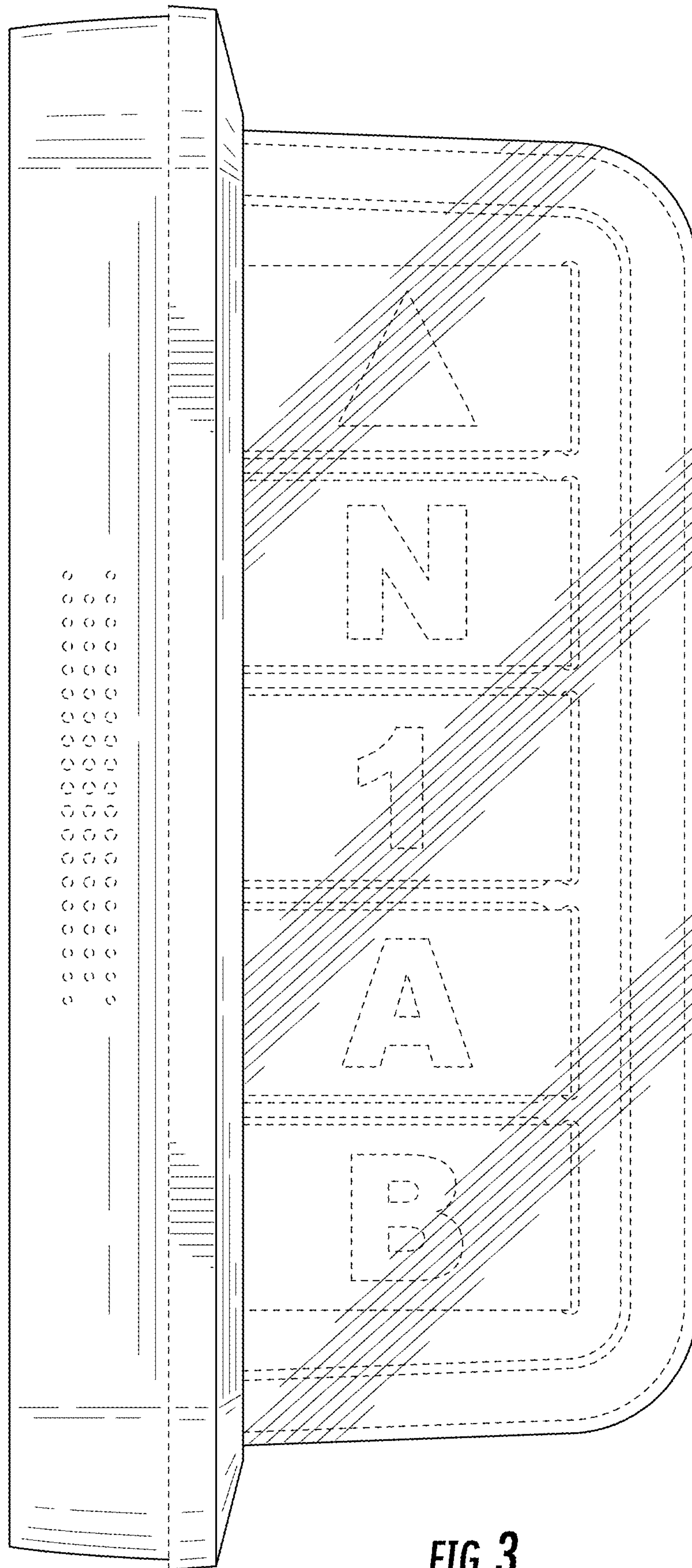


FIG. 3

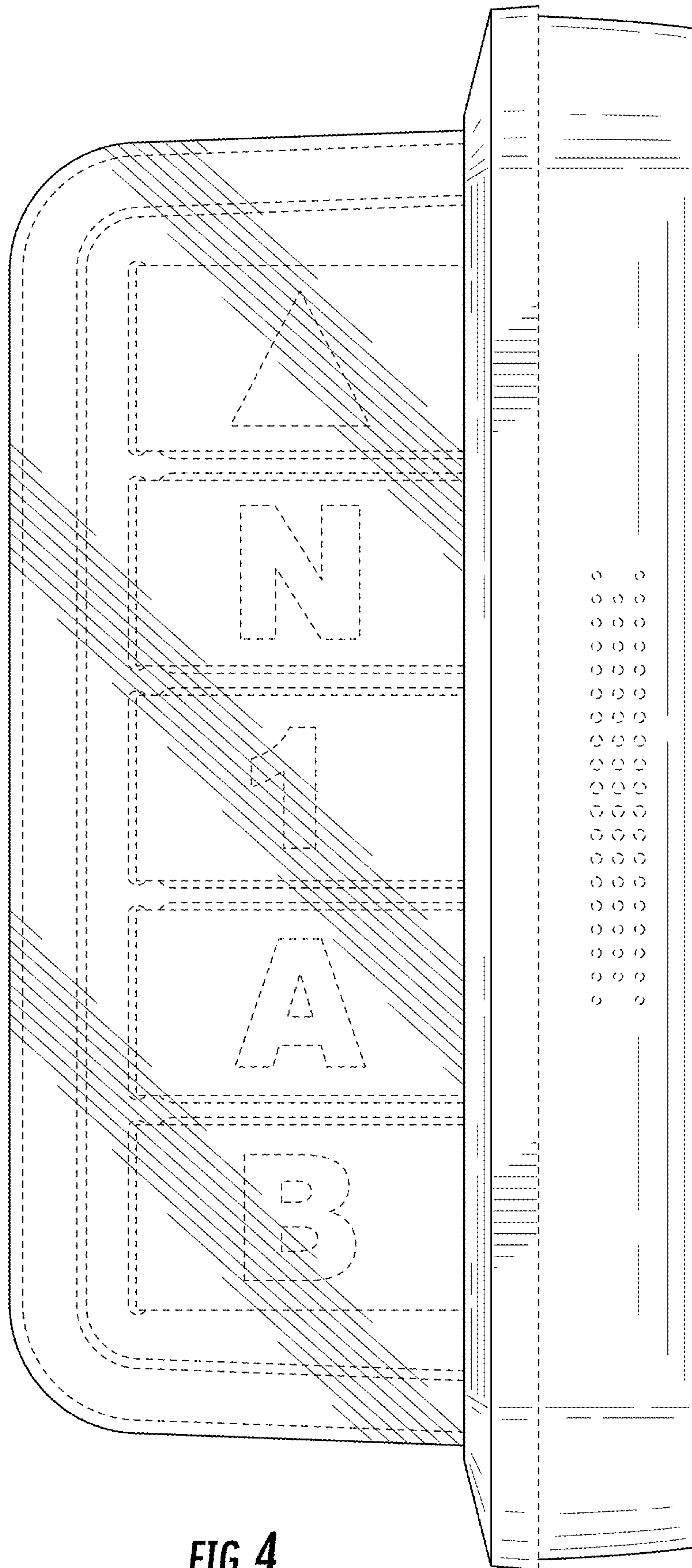


FIG. 4

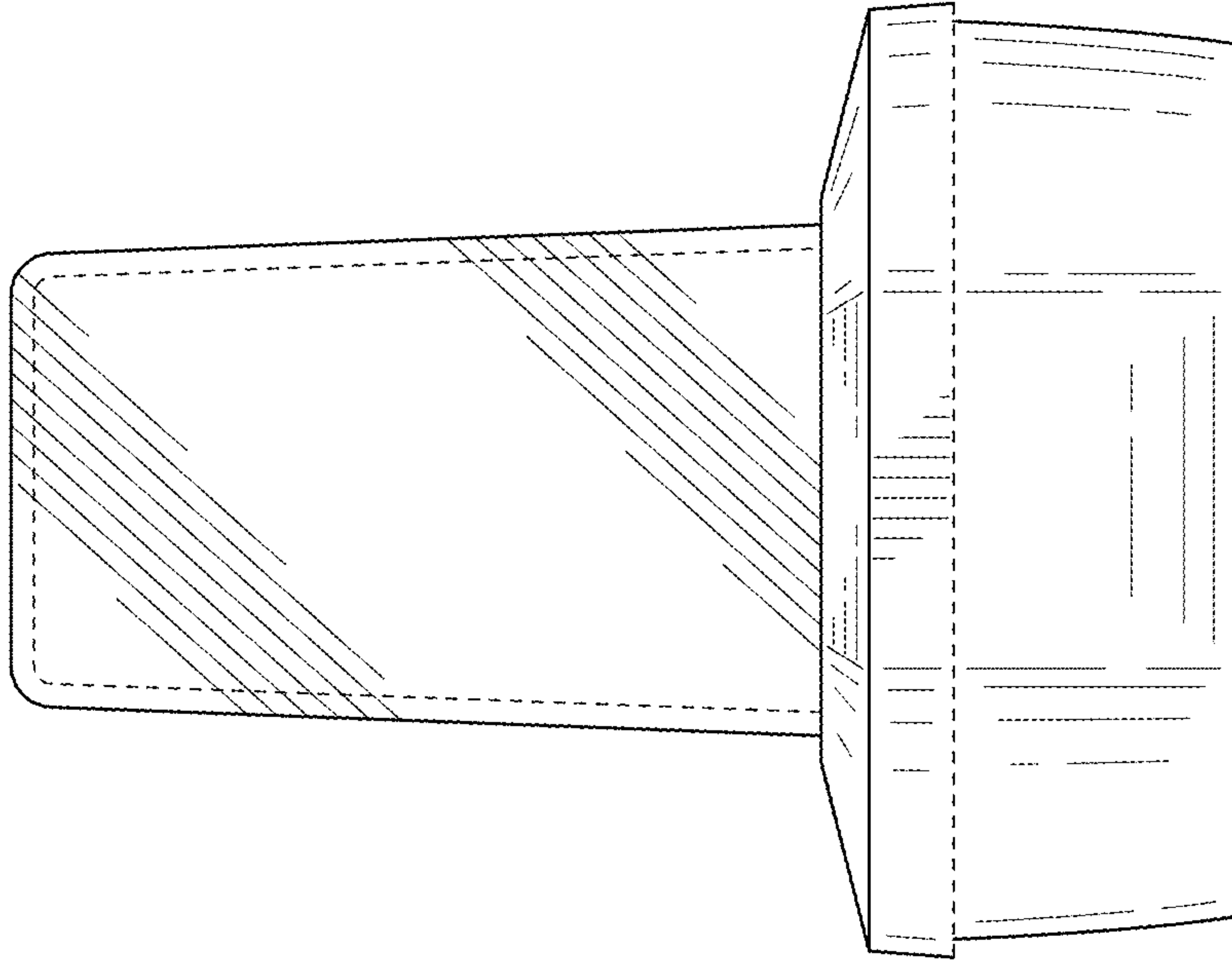


FIG. 6

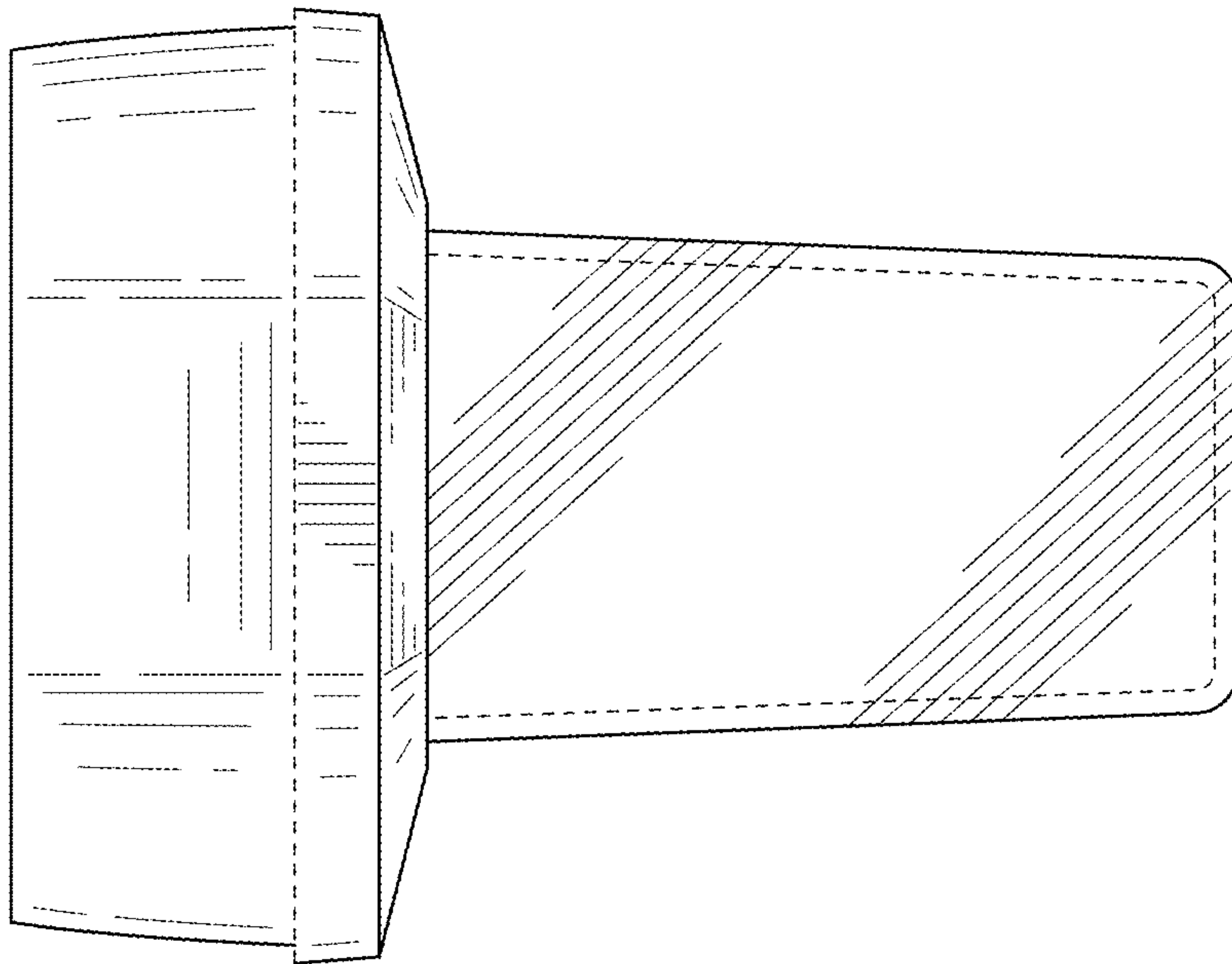


FIG. 5

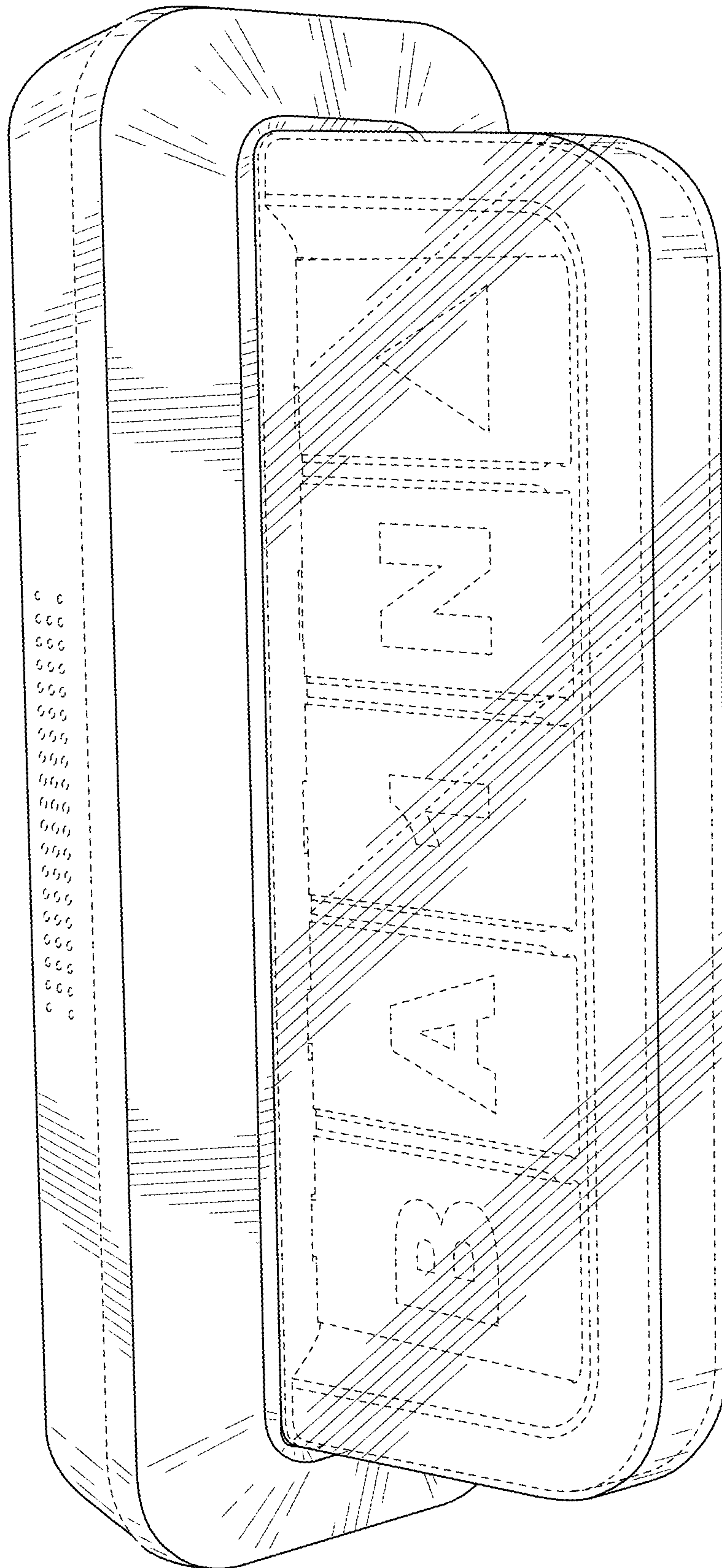


FIG. 7

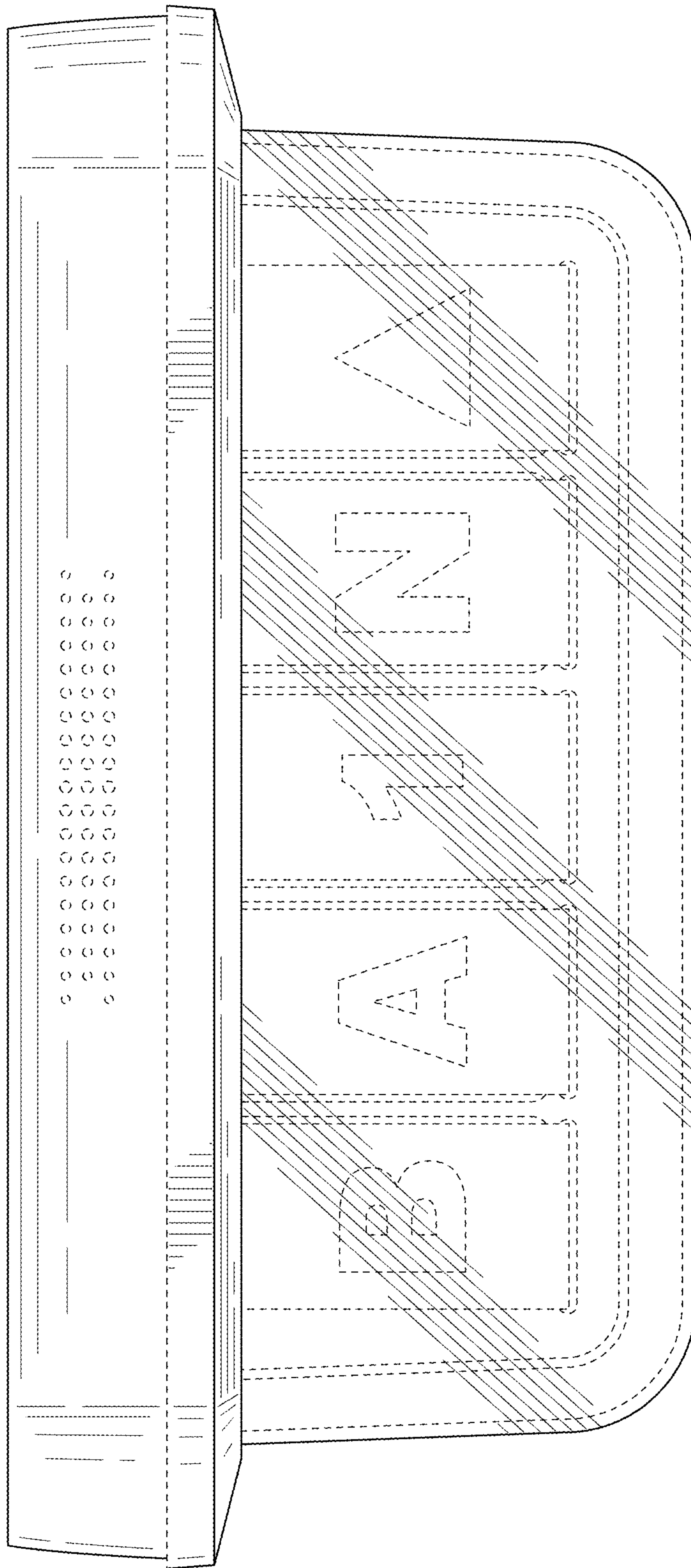


FIG. 8

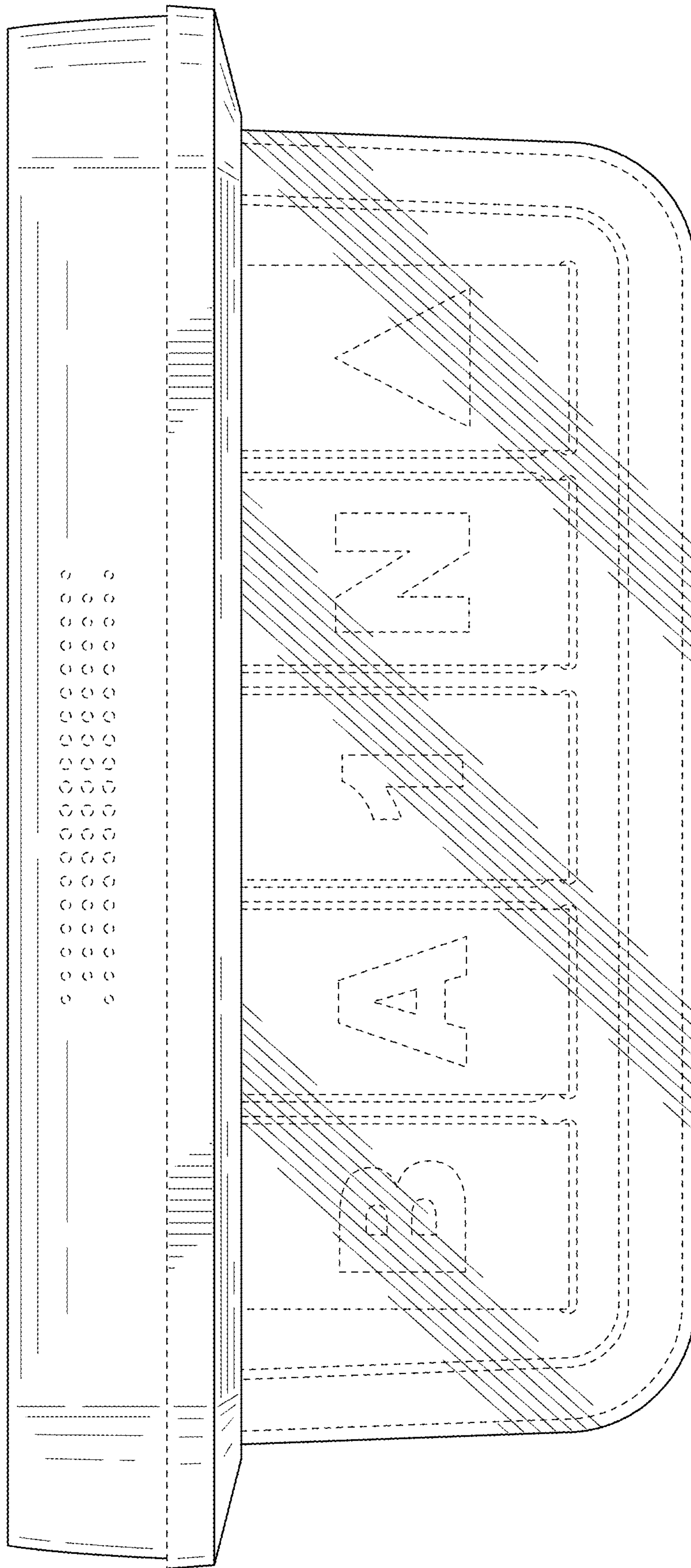


FIG. 9

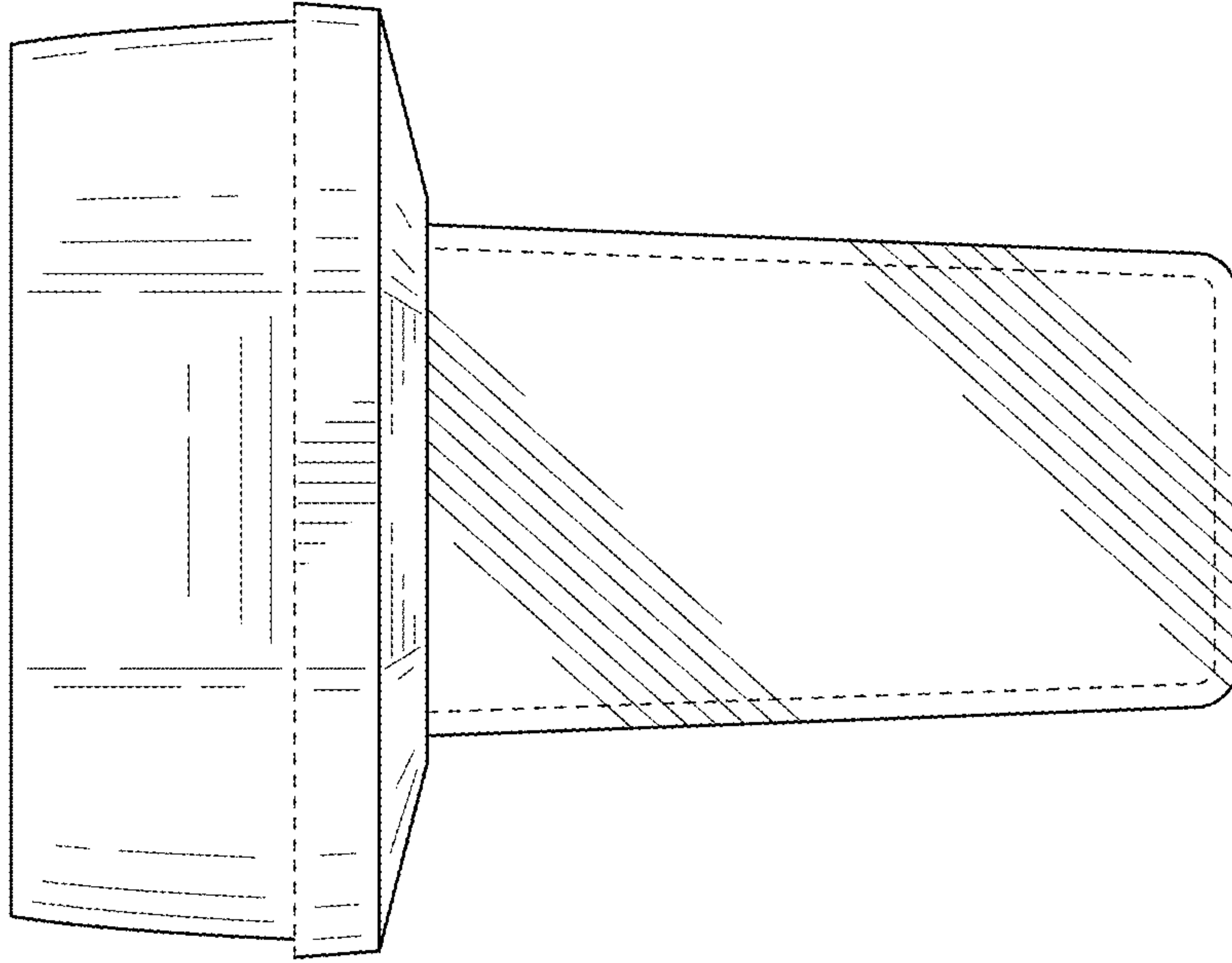


FIG. 10

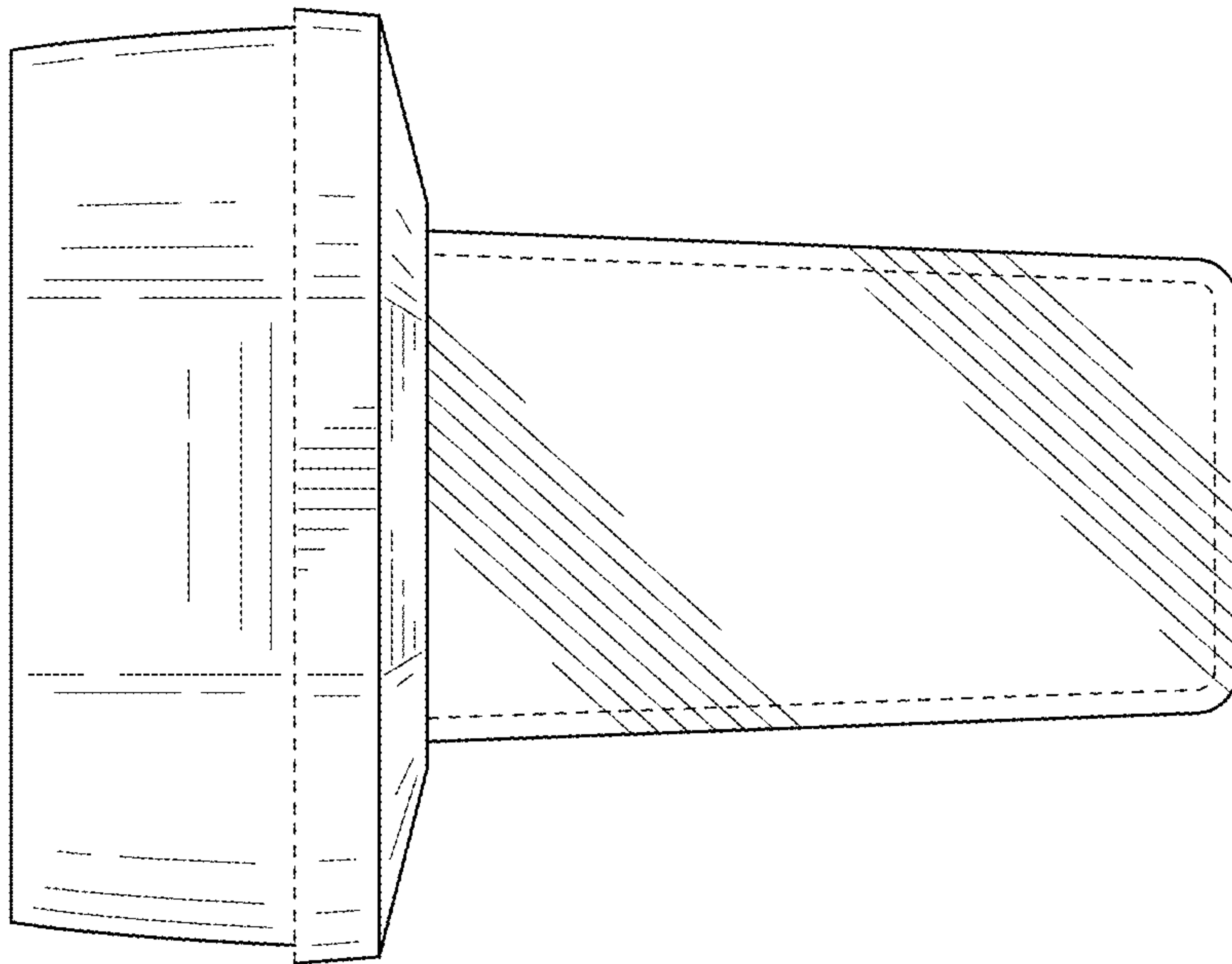


FIG. 11

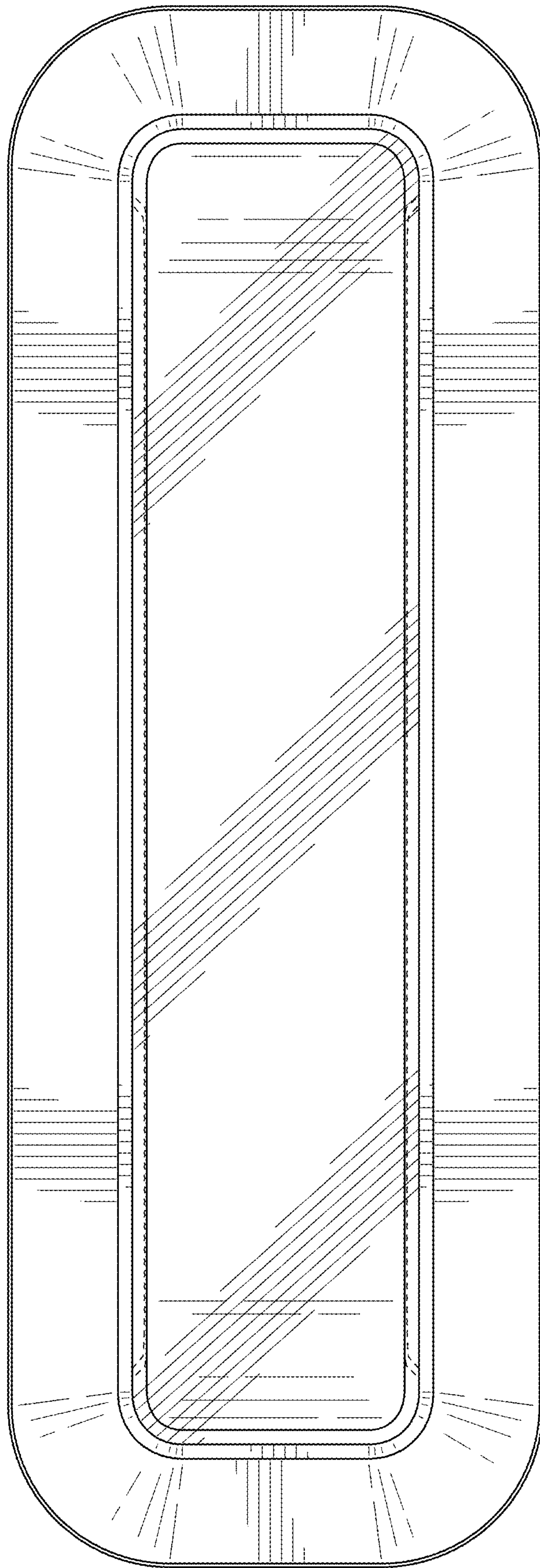


FIG. 12