



US00D965833S

(12) **United States Design Patent** (10) **Patent No.:** **US D965,833 S**
Lin et al. (45) **Date of Patent:** **** Oct. 4, 2022**

(54) **NEAR-INFRARED ILLUMINATOR**

D633,099 S * 2/2011 Van de Ven D15/1
D712,080 S * 8/2014 Trude D26/37
D747,520 S * 1/2016 Hsu D26/37

(71) Applicant: **UniLED Lighting TW., Inc.**, New Taipei (TW)

(Continued)

(72) Inventors: **Ming-Te Lin**, New Taipei (TW);
Ming-Yao Lin, New Taipei (TW);
Heng Qiu, New Taipei (TW)

FOREIGN PATENT DOCUMENTS

CN 3596047 * 1/2007 H04N 5/2351
JP D1420742 * 8/2011

(Continued)

(73) Assignee: **UNILED LIGHTING TW., INC.**, New Taipei (TW)

OTHER PUBLICATIONS

(**) Term: **15 Years**

“T-Bracket—Billet—For Jeep TJ,” Jan. 23, 2014, newegg.com, site visited Jan. 21, 2022, URL: <https://www.newegg.com/delta-tech-industries-01-6570-tjb/p/0HH-00DD-00148> (Year: 2014).*

(Continued)

(21) Appl. No.: **29/703,294**

(22) Filed: **Aug. 26, 2019**

(51) **LOC (13) Cl.** **26-02**

(52) **U.S. Cl.**
USPC **D26/37**

(58) **Field of Classification Search**
USPC D26/37-44, 46-52; D10/111-115;
D24/133, 137, 209

CPC F21V 23/0464; F21V 9/04; G02B 5/208;
H04N 5/2256; H05B 35/00

See application file for complete search history.

Primary Examiner — Eric L Goodman

Assistant Examiner — Sarah L Smith

(74) *Attorney, Agent, or Firm* — Hauptman Ham, LLP

(57) **CLAIM**

The ornamental design for a near-infrared illuminator, as shown.

DESCRIPTION

FIG. 1 shows a first perspective view of a near-infrared illuminator bearing the design;

FIG. 2 shows a second perspective view thereof;

FIG. 3 shows a third perspective view thereof;

FIG. 4 shows a fourth perspective view thereof;

FIG. 5 shows a front elevation view thereof;

FIG. 6 shows a rear elevation view thereof;

FIG. 7 shows a left-side elevation view thereof;

FIG. 8 shows a right-side elevation view thereof;

FIG. 9 shows a top plan view thereof; and,

FIG. 10 shows a bottom plan view.

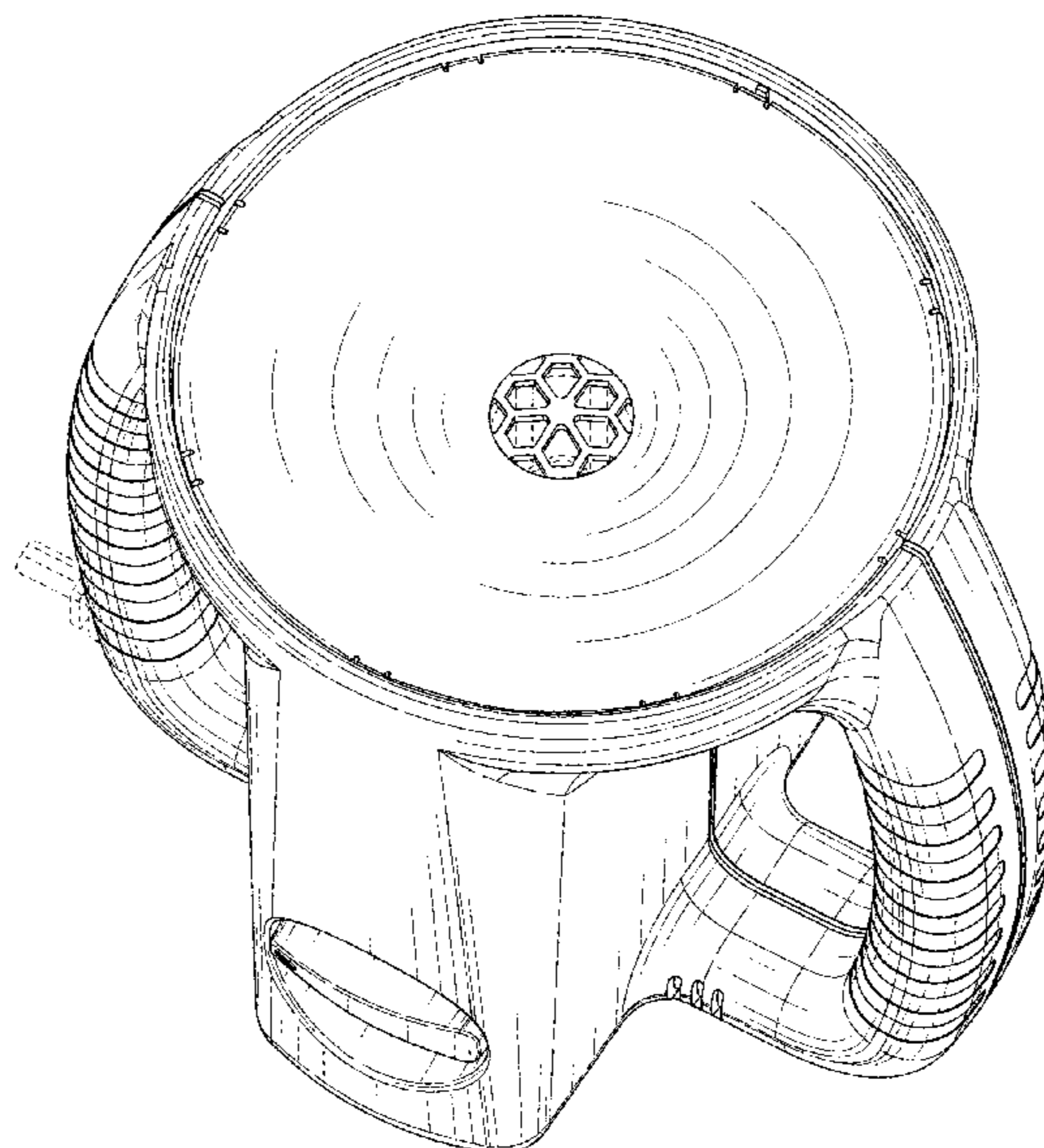
The broken lines form no part of the claimed design. The parts inside/surrounded by the broken lines form no part of the claimed design.

(56) **References Cited**

U.S. PATENT DOCUMENTS

D158,252 S * 4/1950 Du Mais D16/241
D242,780 S * 12/1976 Kelley D10/114.1
D267,787 S * 2/1983 Braun D10/114.1
D297,056 S * 8/1988 Sestak D26/65
D368,543 S * 4/1996 Yuen D26/48
D378,819 S * 4/1997 Yuen D10/2
D412,593 S * 8/1999 Lin D26/106
D448,099 S * 9/2001 Mariani D26/37
D568,511 S * 5/2008 Datz D26/40
D607,142 S * 12/2009 Alvarez D26/118
D629,709 S * 12/2010 Bulman-Fleming D10/114.8

1 Claim, 10 Drawing Sheets



(56)

References Cited

U.S. PATENT DOCUMENTS

D831,869 S * 10/2018 Ford D26/37
D840,091 S * 2/2019 Elfring D26/118
D855,247 S * 7/2019 Wang D26/118
D856,562 S * 8/2019 Shi D26/63
D879,341 S * 3/2020 Kassin D26/37
D892,199 S * 8/2020 Peng D16/237
D900,364 S * 10/2020 Ford D26/37
D900,365 S * 10/2020 Cayon D26/37
D910,226 S * 2/2021 Zheng D26/107

FOREIGN PATENT DOCUMENTS

JP D1542078 * 1/2016
WO WO-2020124340 A1 * 6/2020 H04N 5/2351

OTHER PUBLICATIONS

“Eveready LED Floating Lantern Flashlight,” Jul. 24, 2019, amazon.com, site visited Jan. 21, 2022, URL: <https://www.amazon.com/Eveready-Flashlight-Hurricane-Accessories-Batteries/dp/B07VRSJG2L/> (Year: 2019).*

* cited by examiner

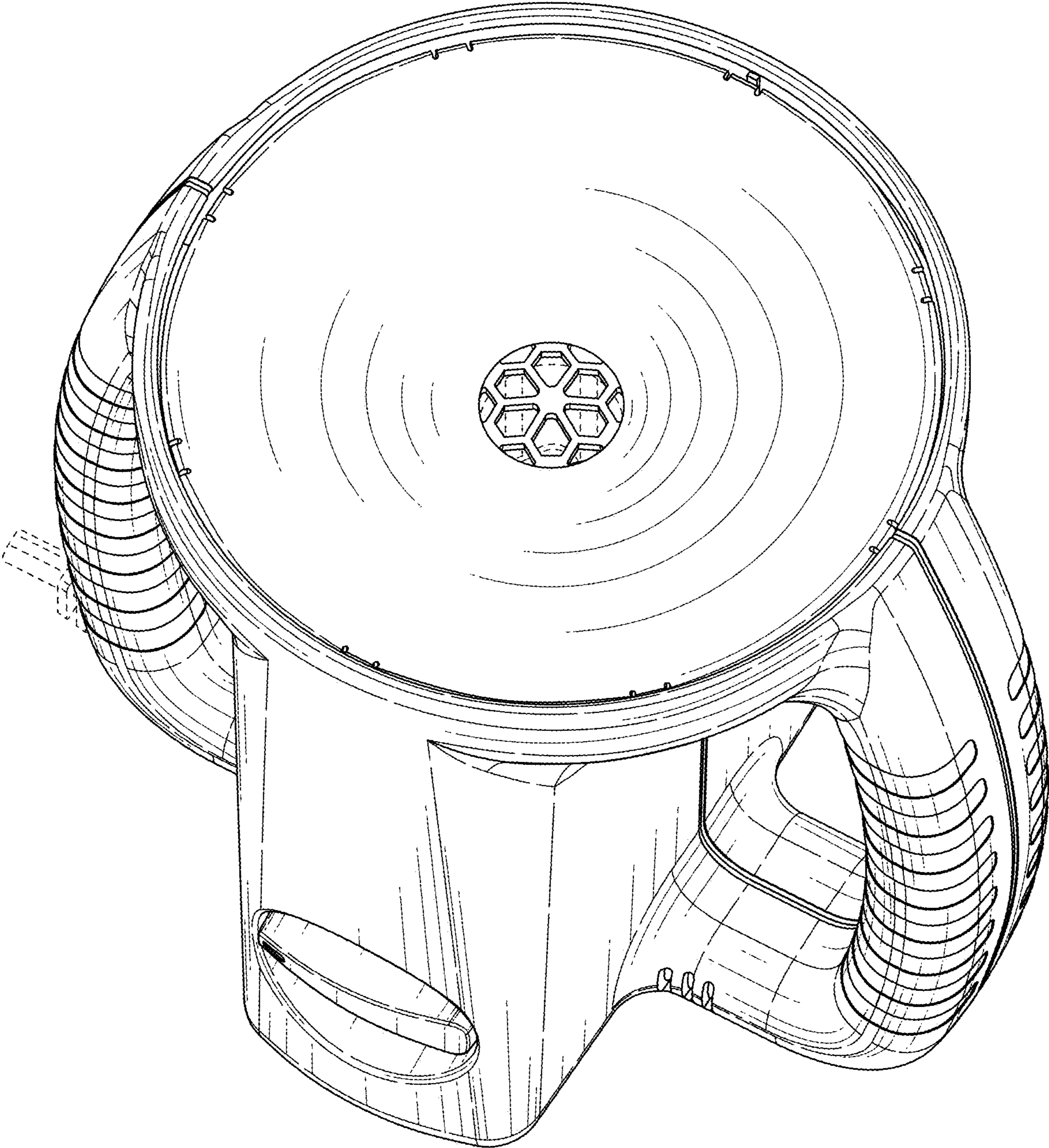


FIG. 1

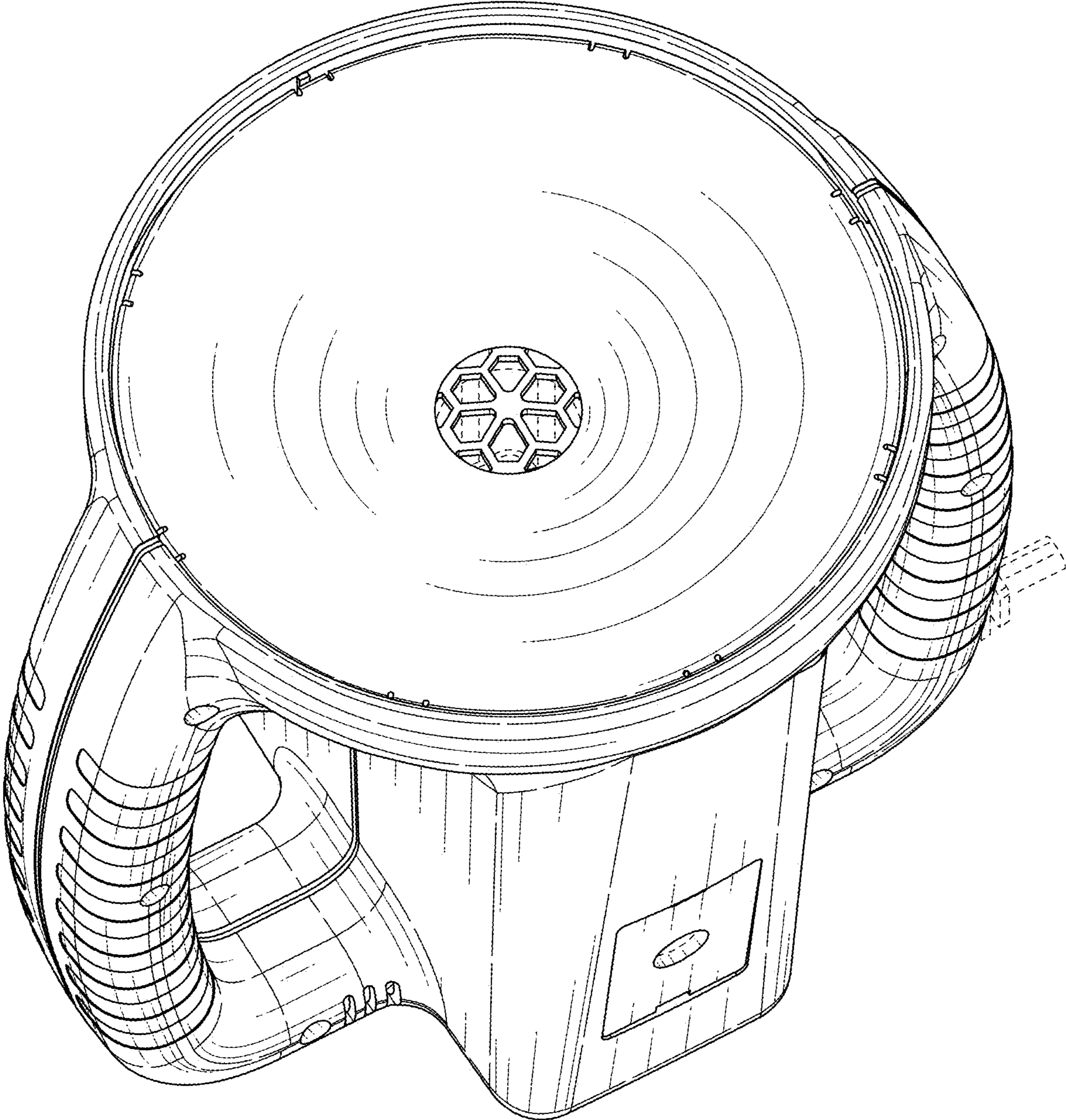


FIG. 2

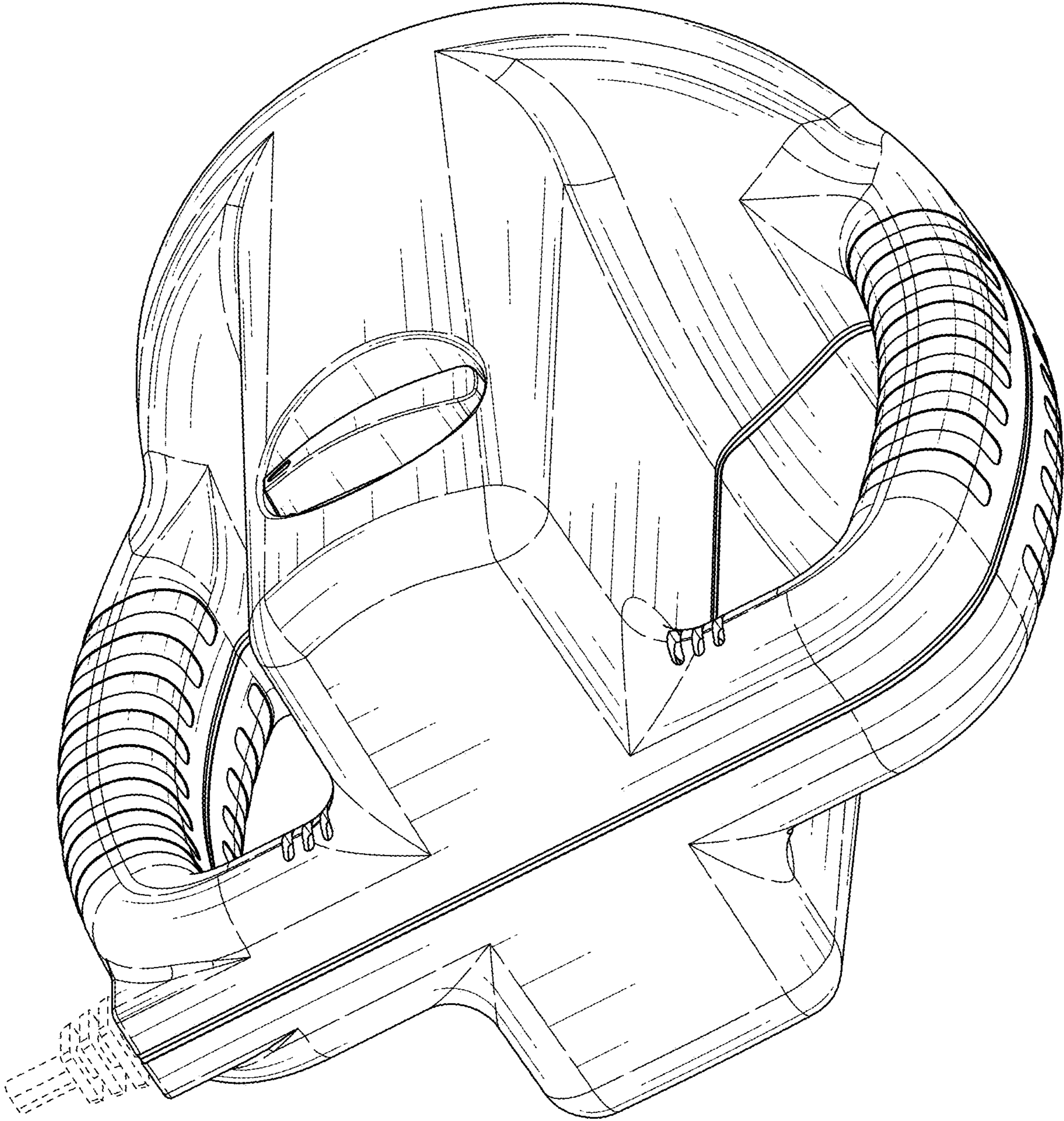


FIG. 3

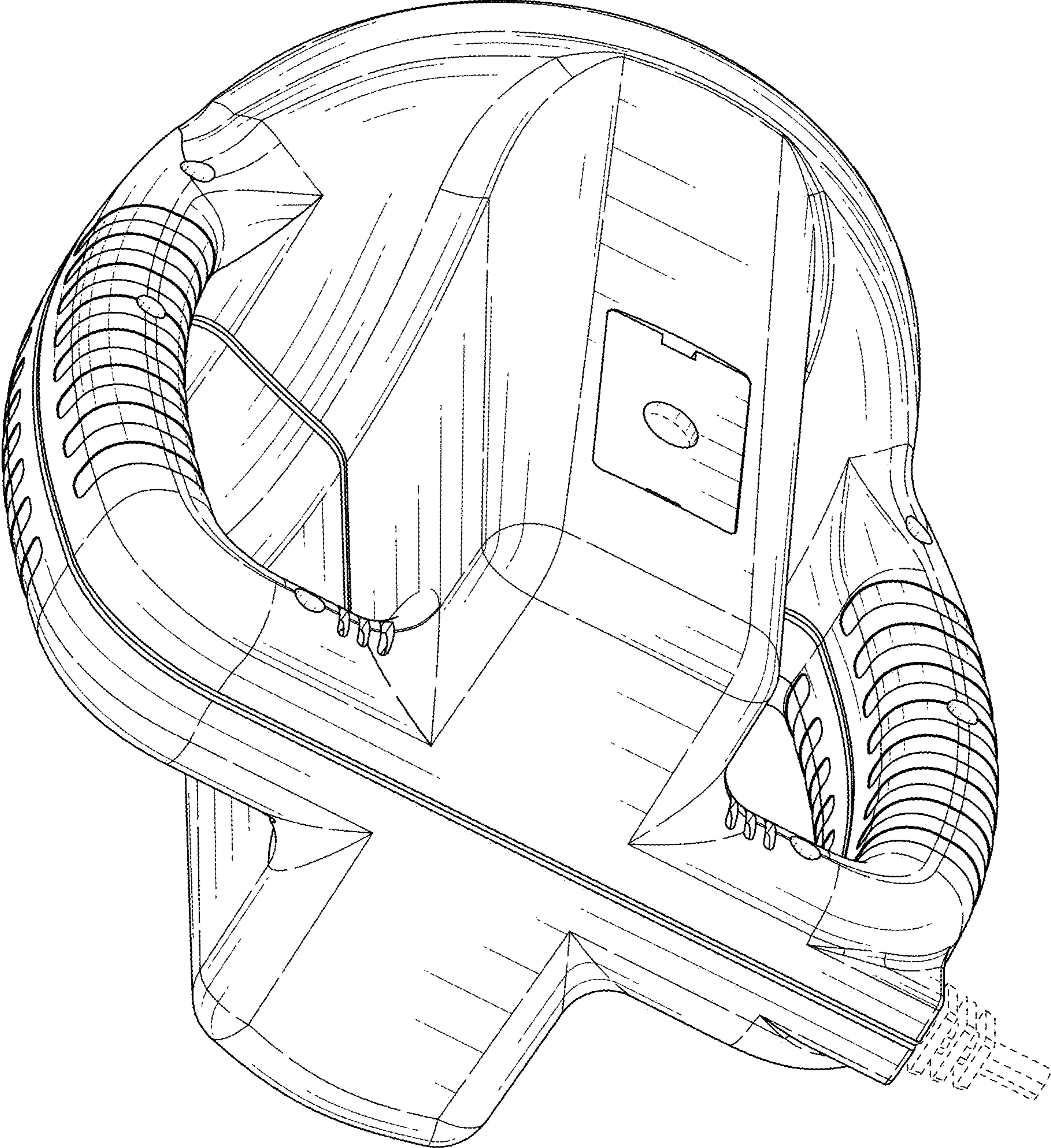


FIG. 4

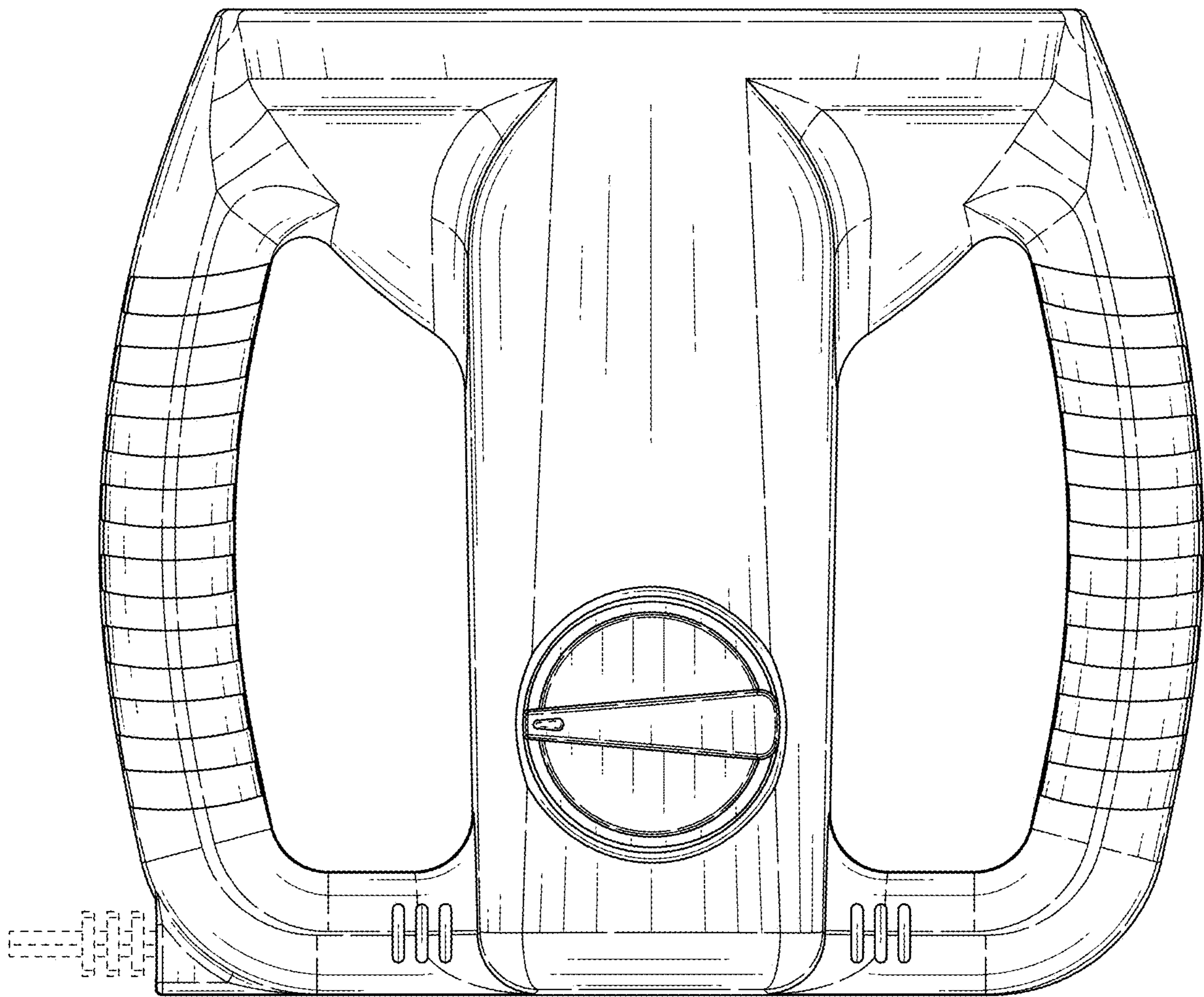


FIG. 5

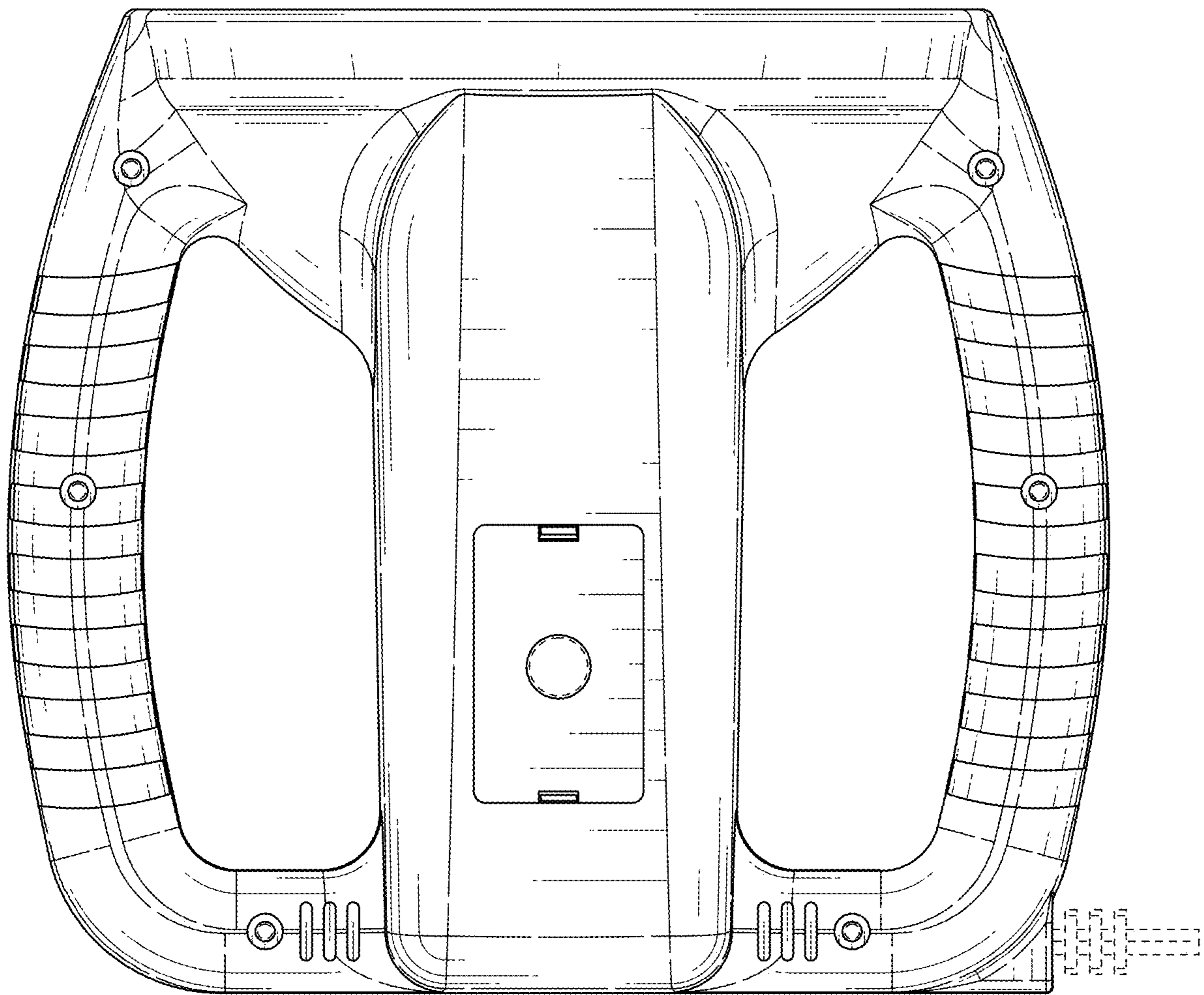


FIG. 6

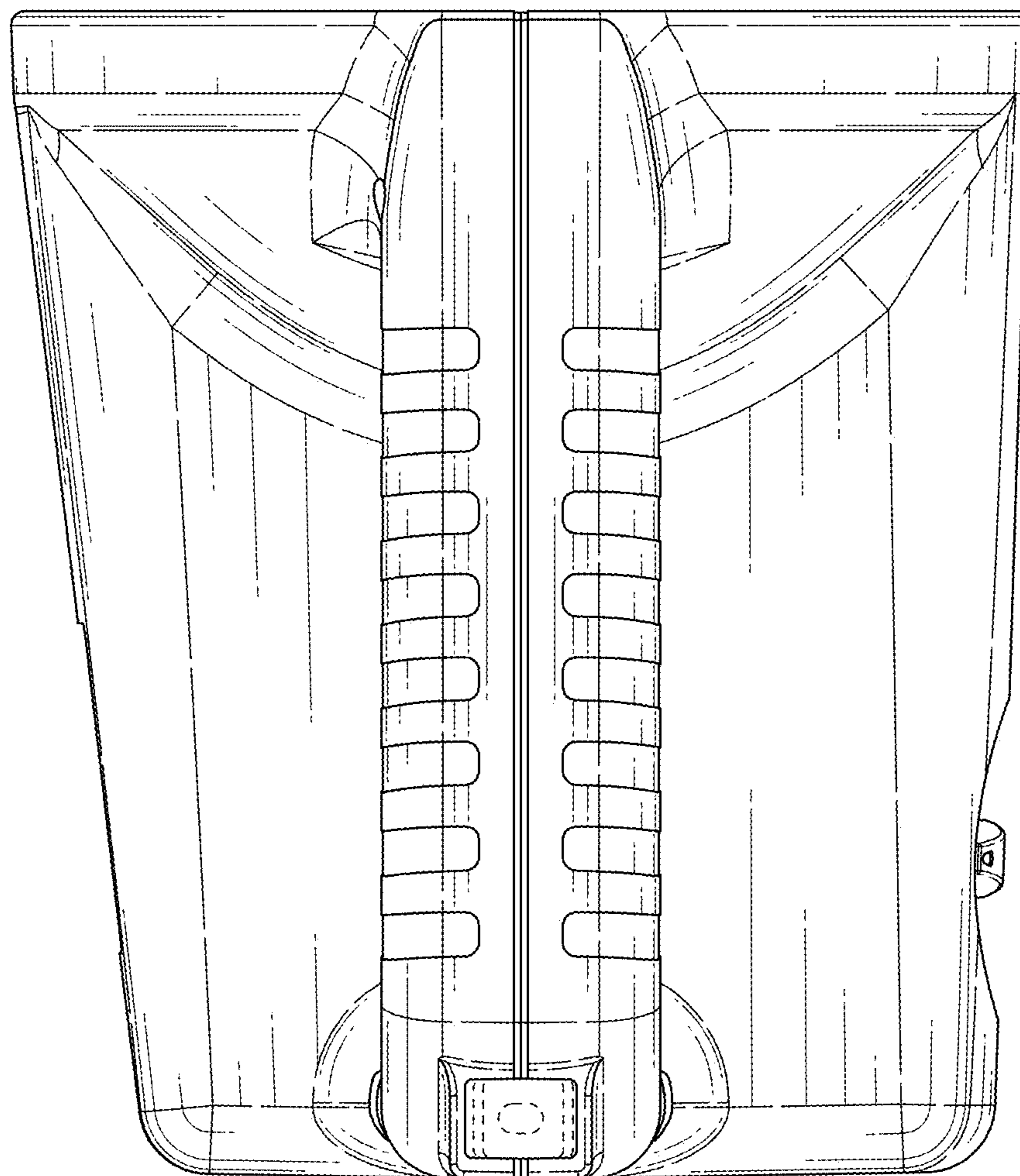


FIG. 7

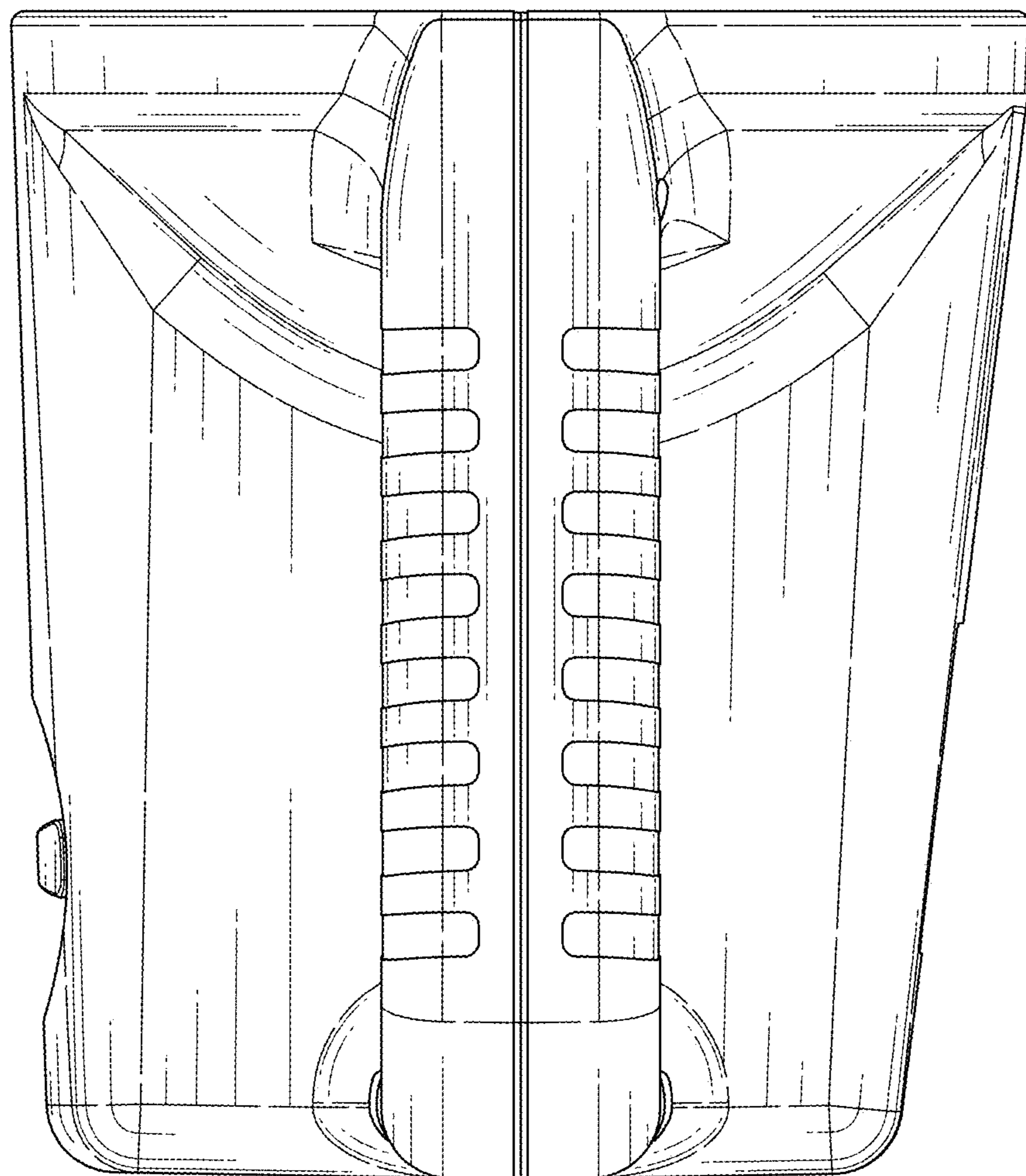


FIG. 8

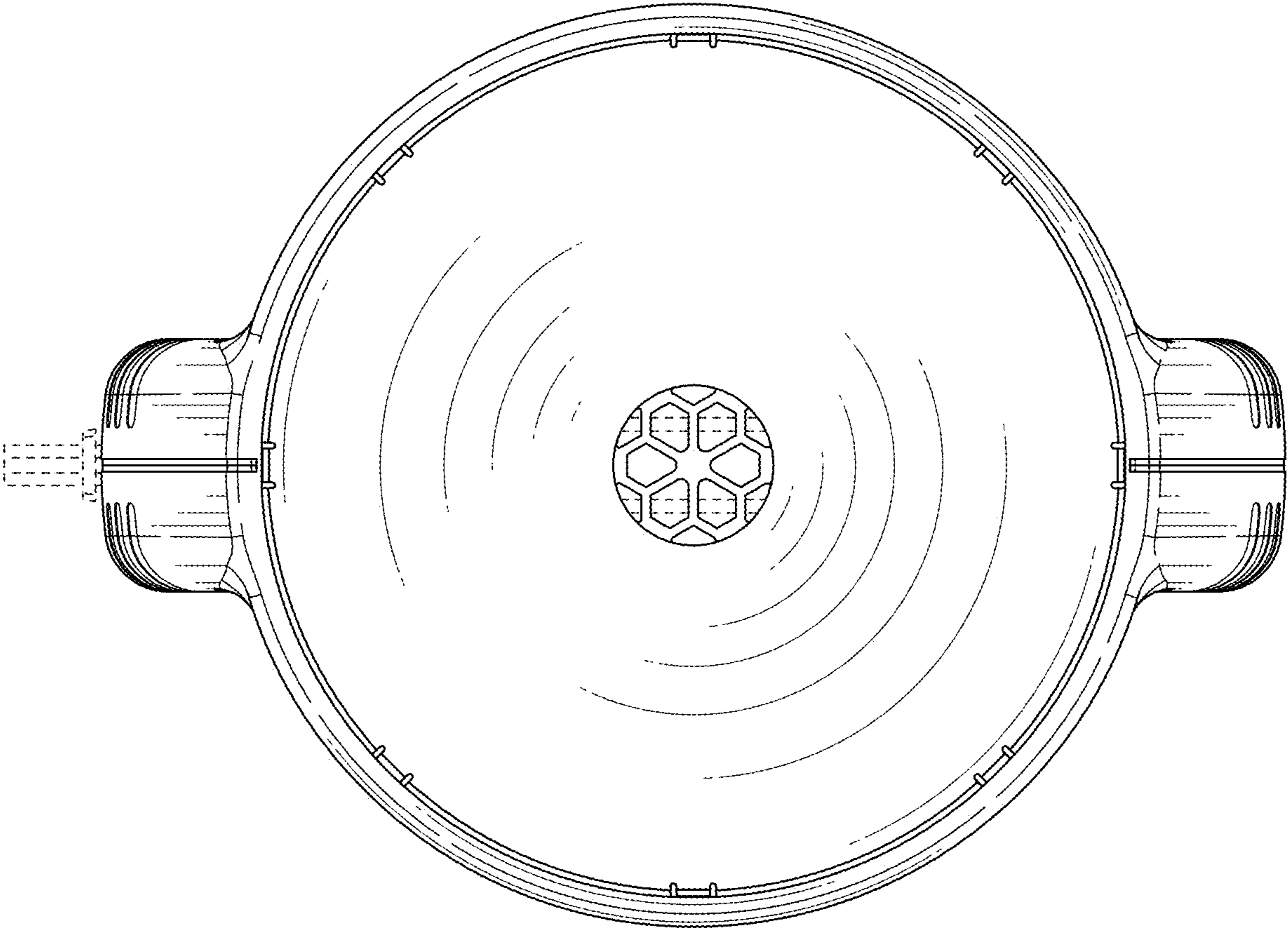


FIG. 9

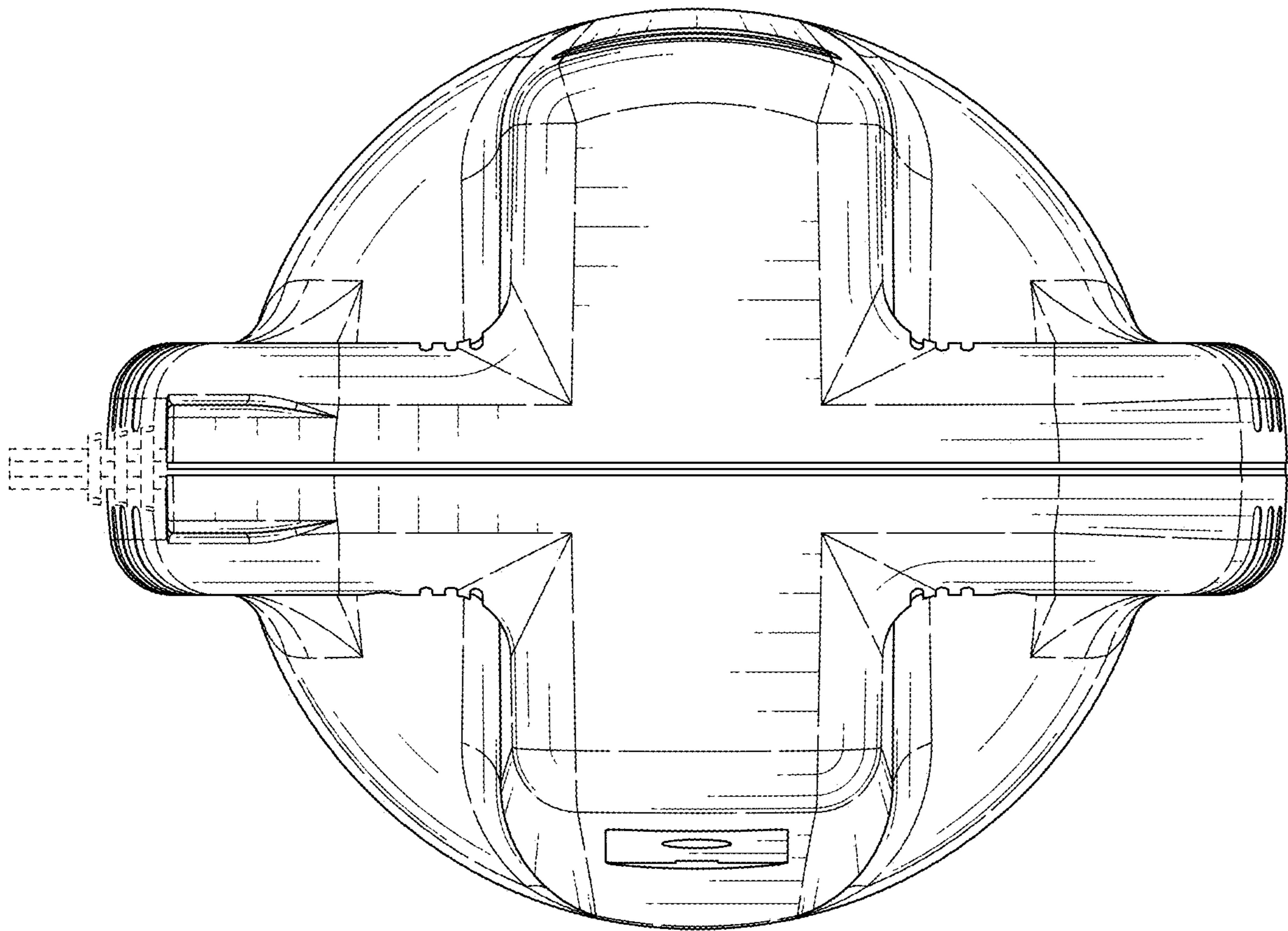


FIG. 10