



US00D965832S

(12) **United States Design Patent**  
**Yeh**

(10) **Patent No.:** **US D965,832 S**

(45) **Date of Patent:** **\*\* Oct. 4, 2022**

(54) **VEHICLE HEADLIGHT**

(71) Applicant: **Changzhou Chengjia Photoelectric Technology Co., LTD**, Changzhou (CN)

(72) Inventor: **Chunhung Yeh**, Shanghai (CN)

(\*\*) Term: **15 Years**

(21) Appl. No.: **29/829,122**

(22) Filed: **Mar. 3, 2022**

(51) **LOC (13) Cl.** ..... **26-06**

(52) **U.S. Cl.**

USPC ..... **D26/28**

(58) **Field of Classification Search**

USPC ..... D26/28-36, 139

CPC ..... F21S 48/00; F21S 48/10; F21S 48/115;

F21S 48/225; F21S 48/1233; F21S

48/1266; F21S 48/1388; F21S 48/2268;

F21V 5/00; F21V 21/04; F21V 29/004;

B60Q 9/13; B60Q 9/135; B60Q 9/1375;

F21W 2102/17; F21W 2103/00; F21W

2103/35; F21W 2103/55; F21W 2107/13;

F21W 2107/17

See application file for complete search history.

(56) **References Cited**

**U.S. PATENT DOCUMENTS**

D566,307 S \* 4/2008 Hsu ..... D26/28

D567,970 S \* 4/2008 Hsu ..... D26/28

D582,072 S \* 12/2008 Yang ..... D26/28

D744,677 S \* 12/2015 Lai ..... D26/28

D831,245 S \* 10/2018 Lin ..... D26/28

D831,246 S \* 10/2018 Yang ..... D26/28

D922,628 S 6/2021 Yeh

\* cited by examiner

*Primary Examiner* — Marcus A Jackson

(57) **CLAIM**

The ornamental design for a vehicle headlight, as shown and described.

**DESCRIPTION**

FIG. 1 is a front perspective view of vehicle headlight, showing my new design;

FIG. 2 is a front view thereof;

FIG. 3 is a rear view thereof;

FIG. 4 is a left side view thereof;

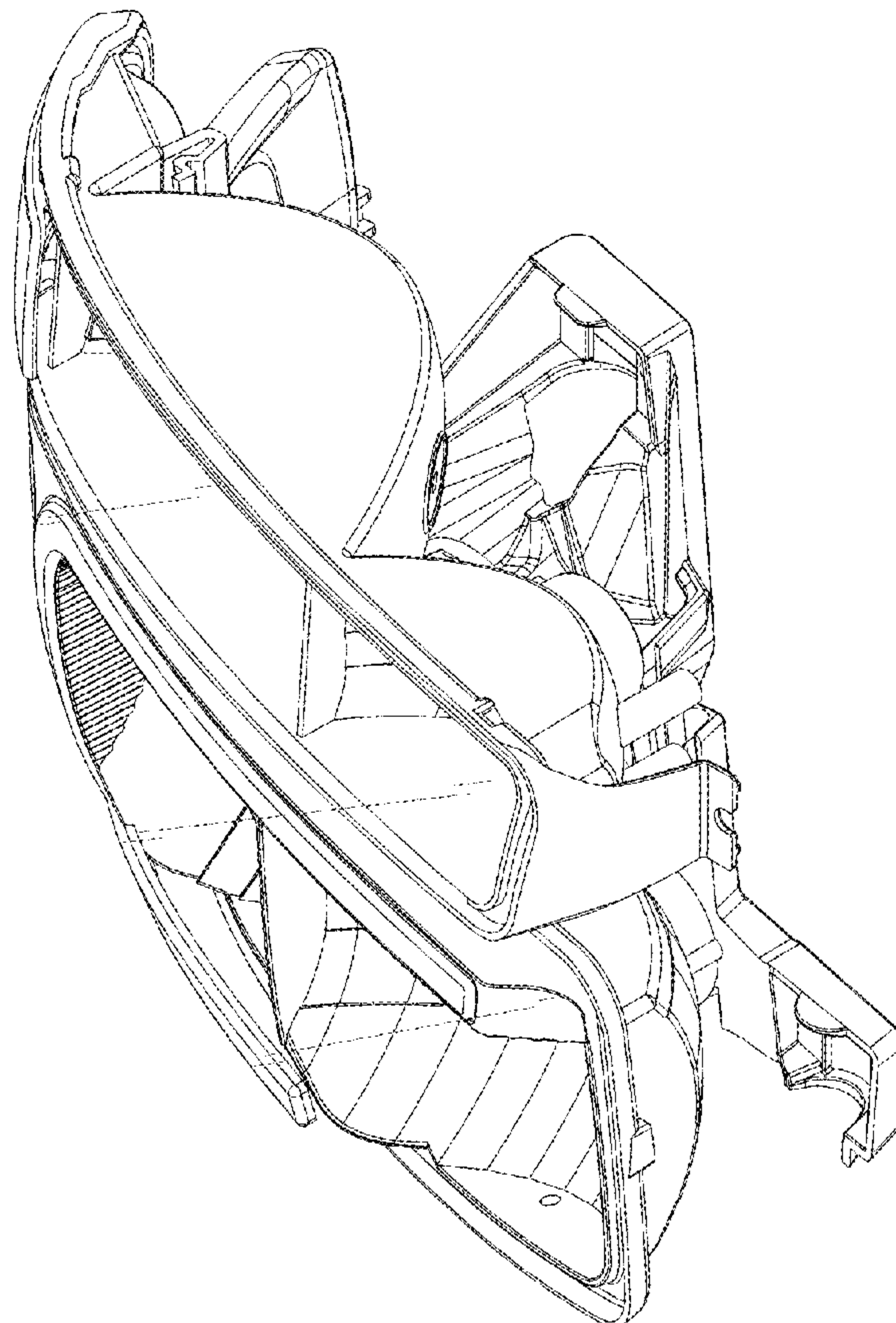
FIG. 5 is a right side view thereof;

FIG. 6 is a top view thereof; and,

FIG. 7 is a bottom view thereof.

The broken lines in the drawings illustrate the portions of vehicle headlight, which form no part of the claimed design.

**1 Claim, 7 Drawing Sheets**



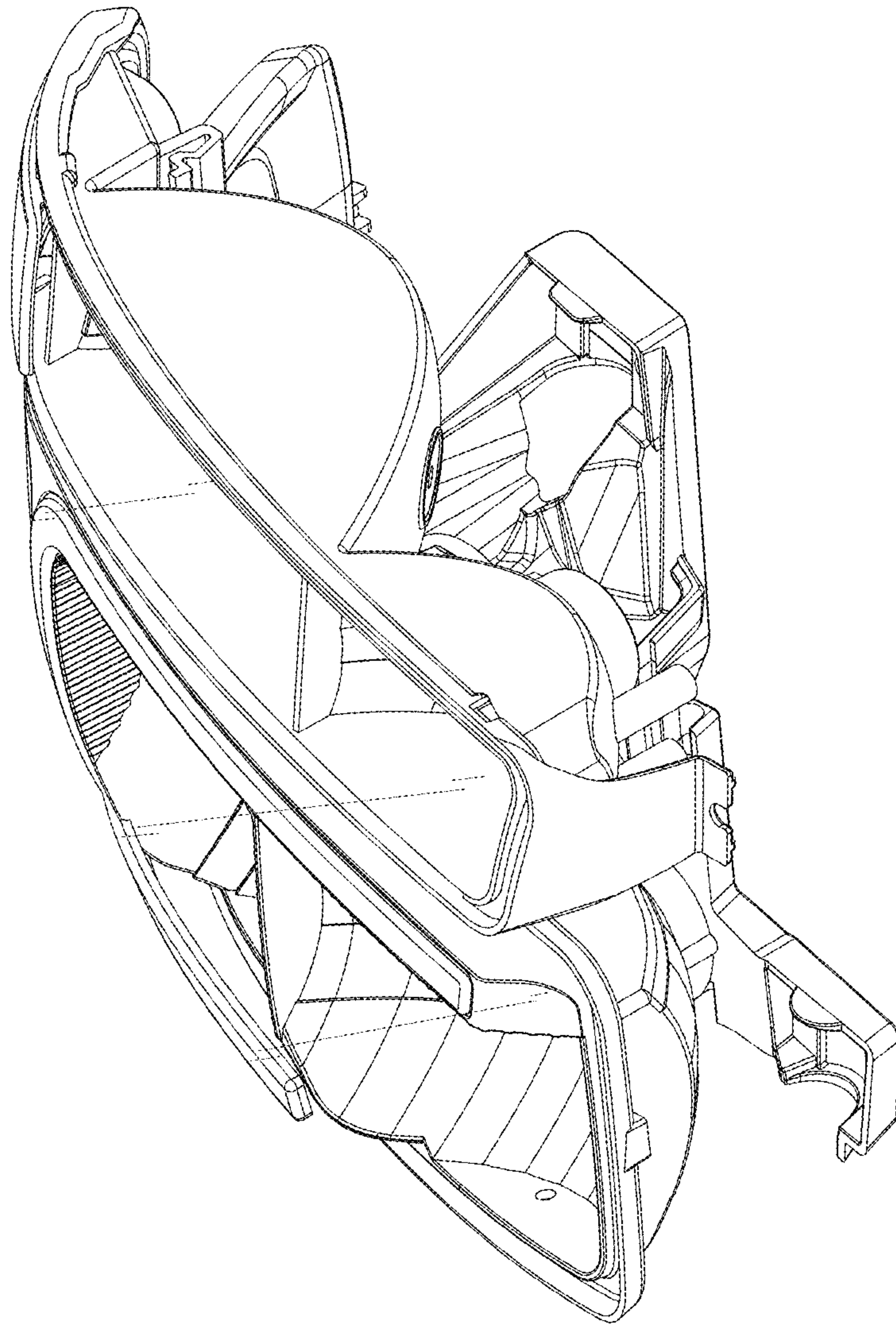


FIG. 1

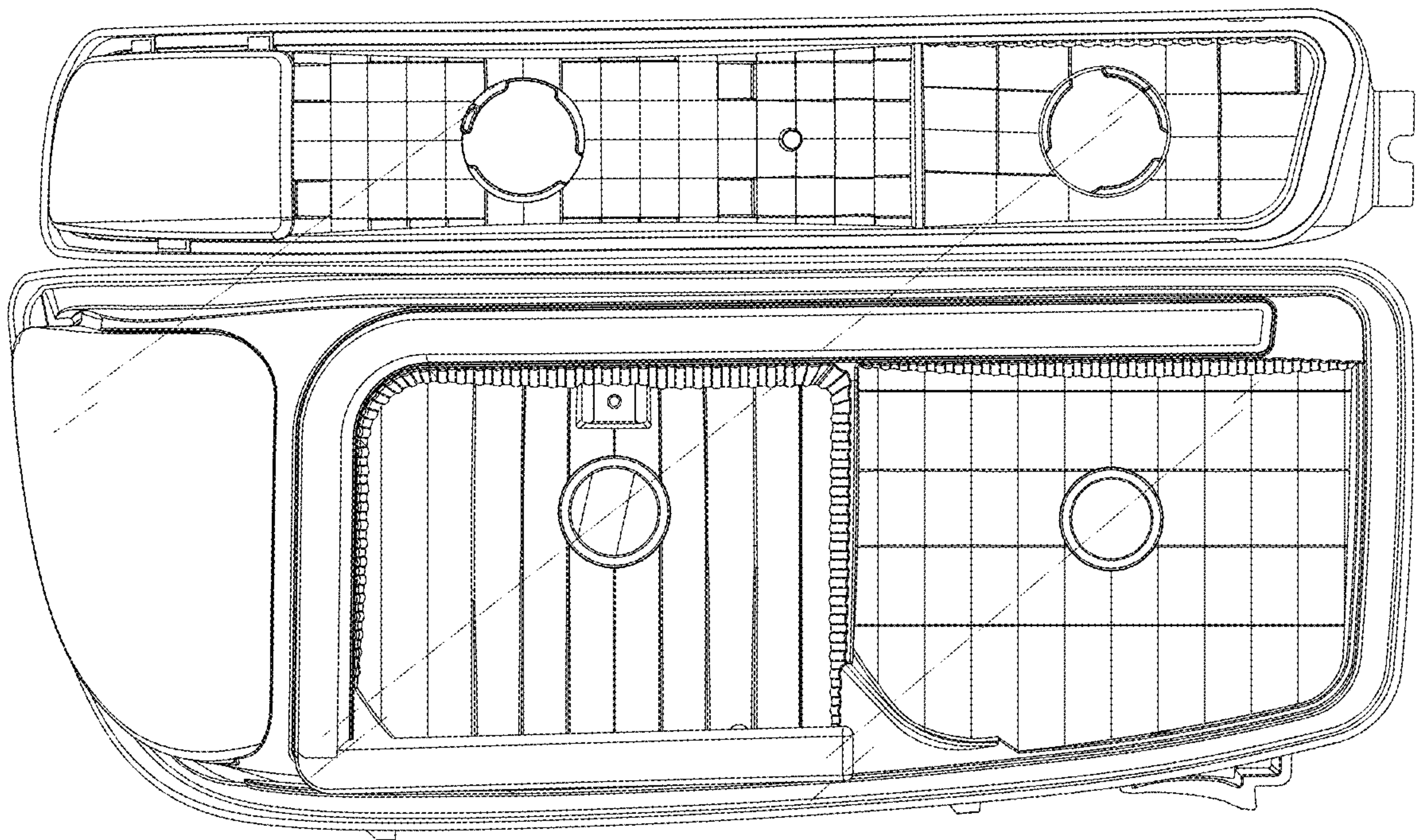


FIG. 2



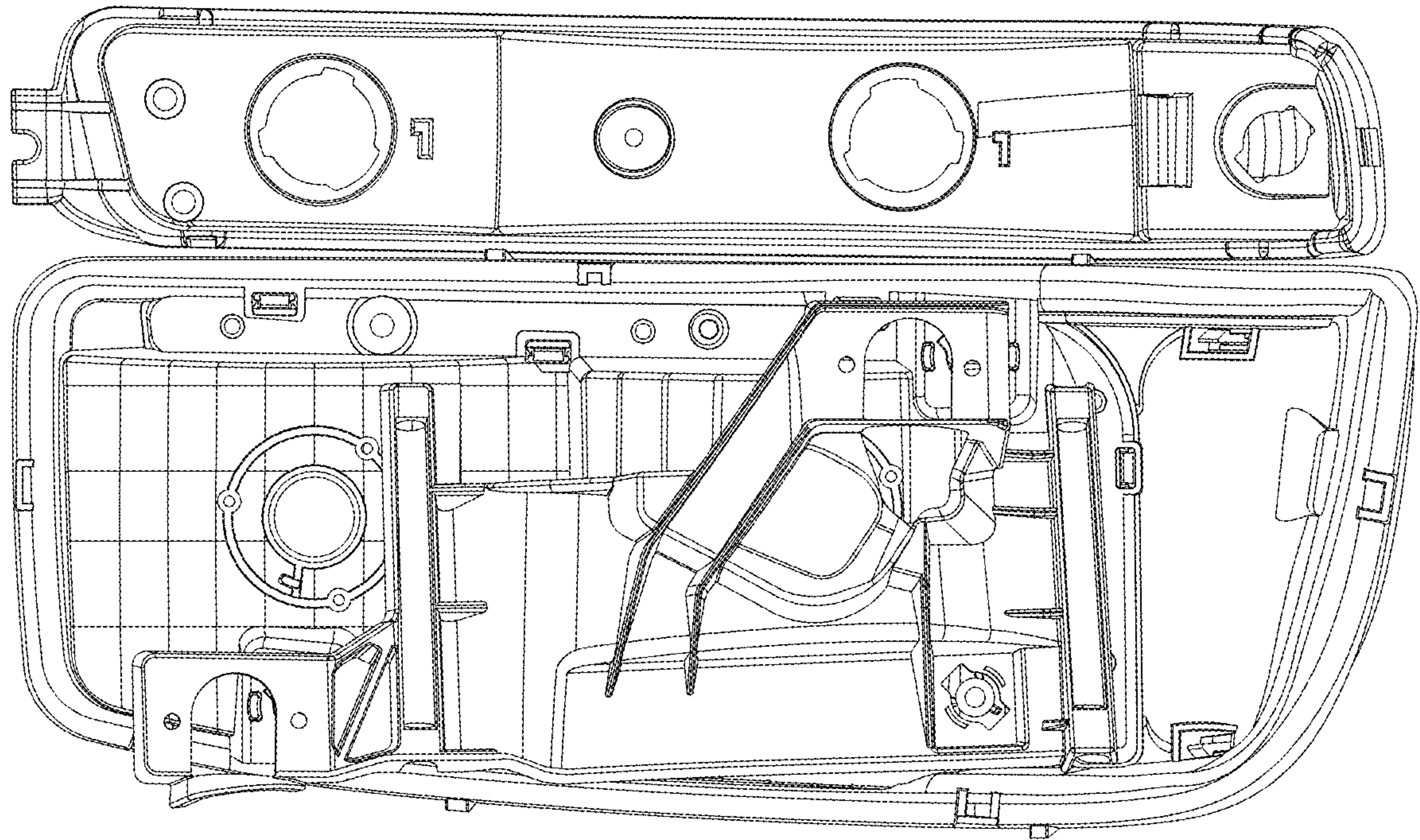
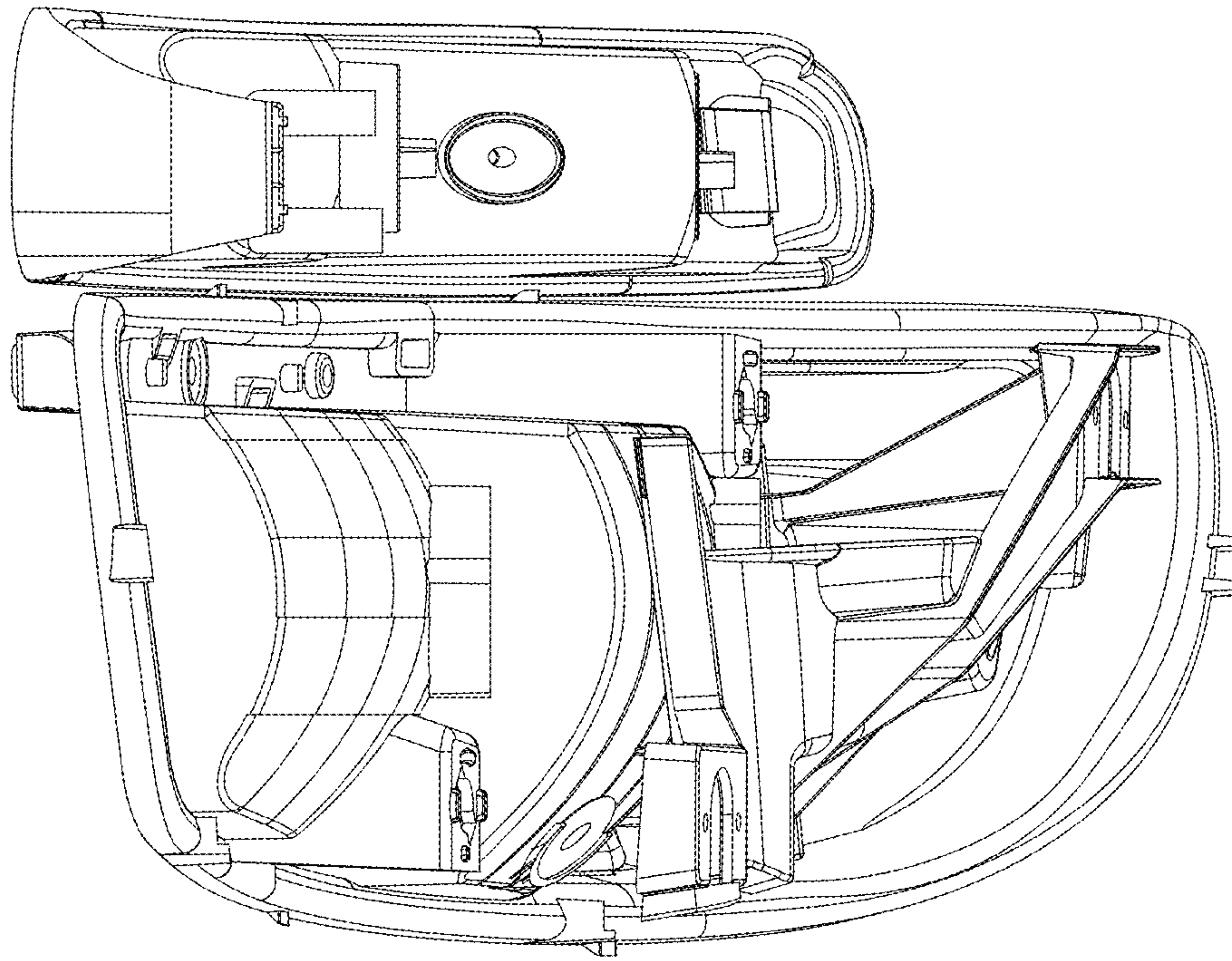
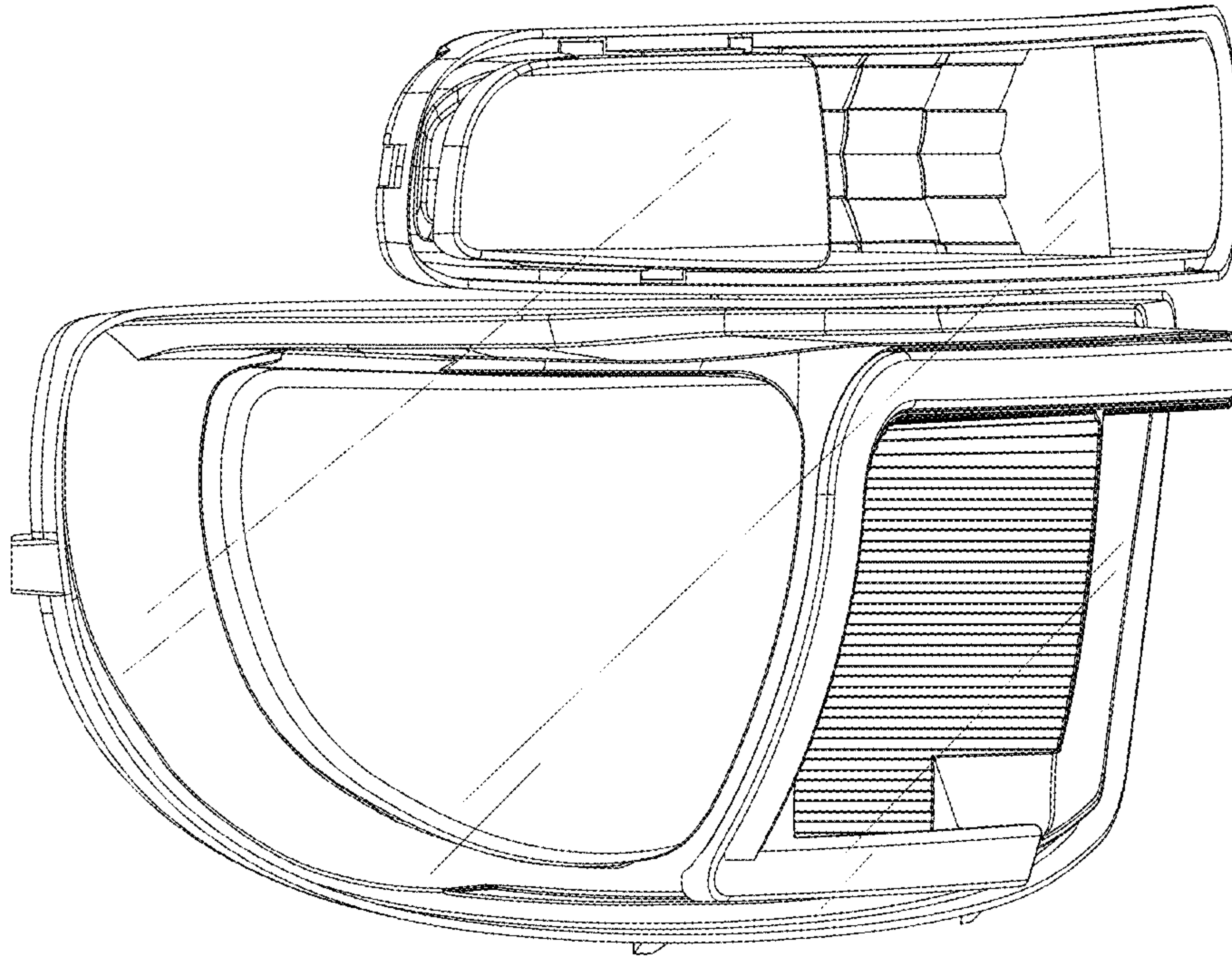


FIG. 3



**FIG. 4**



**FIG. 5**



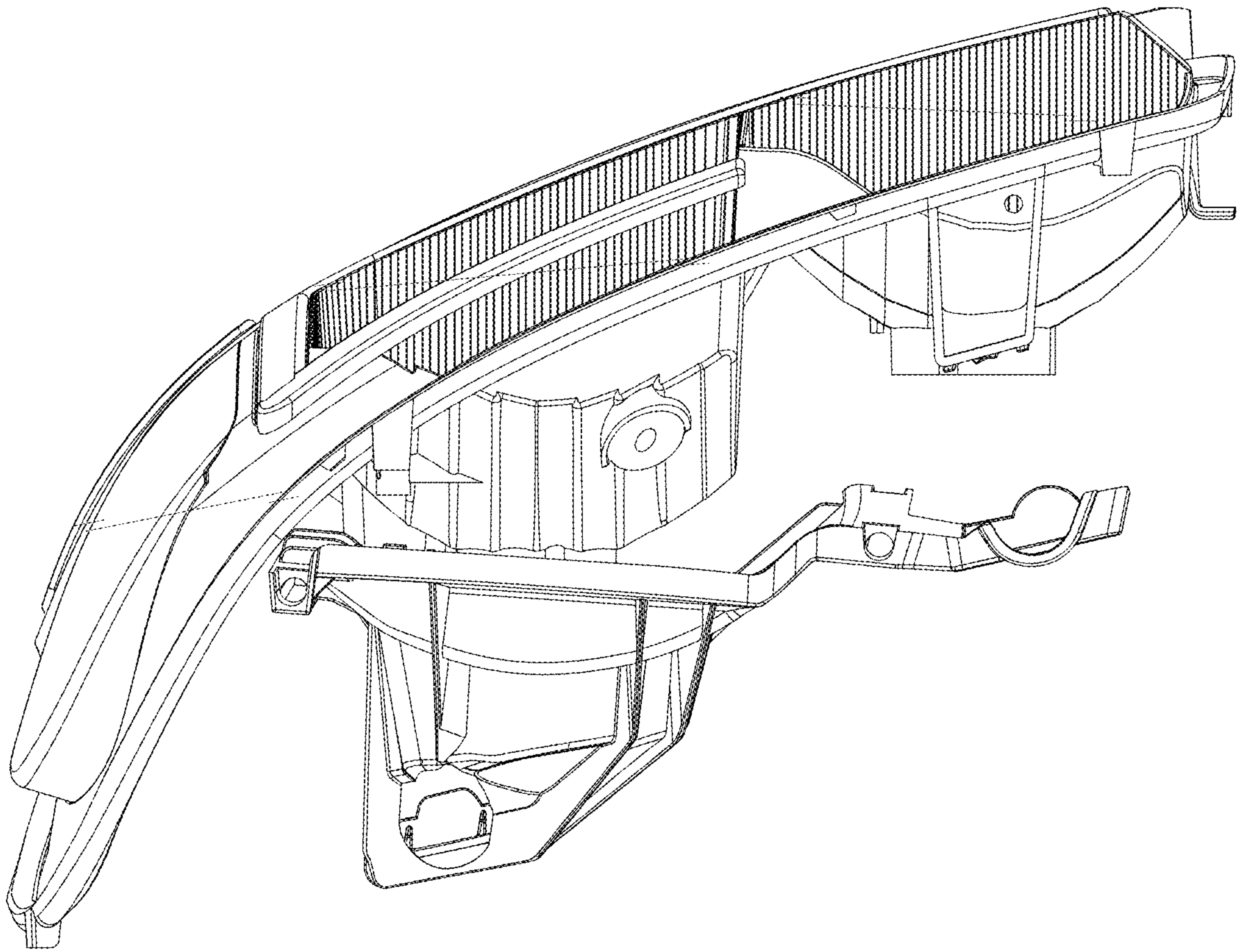


FIG. 6

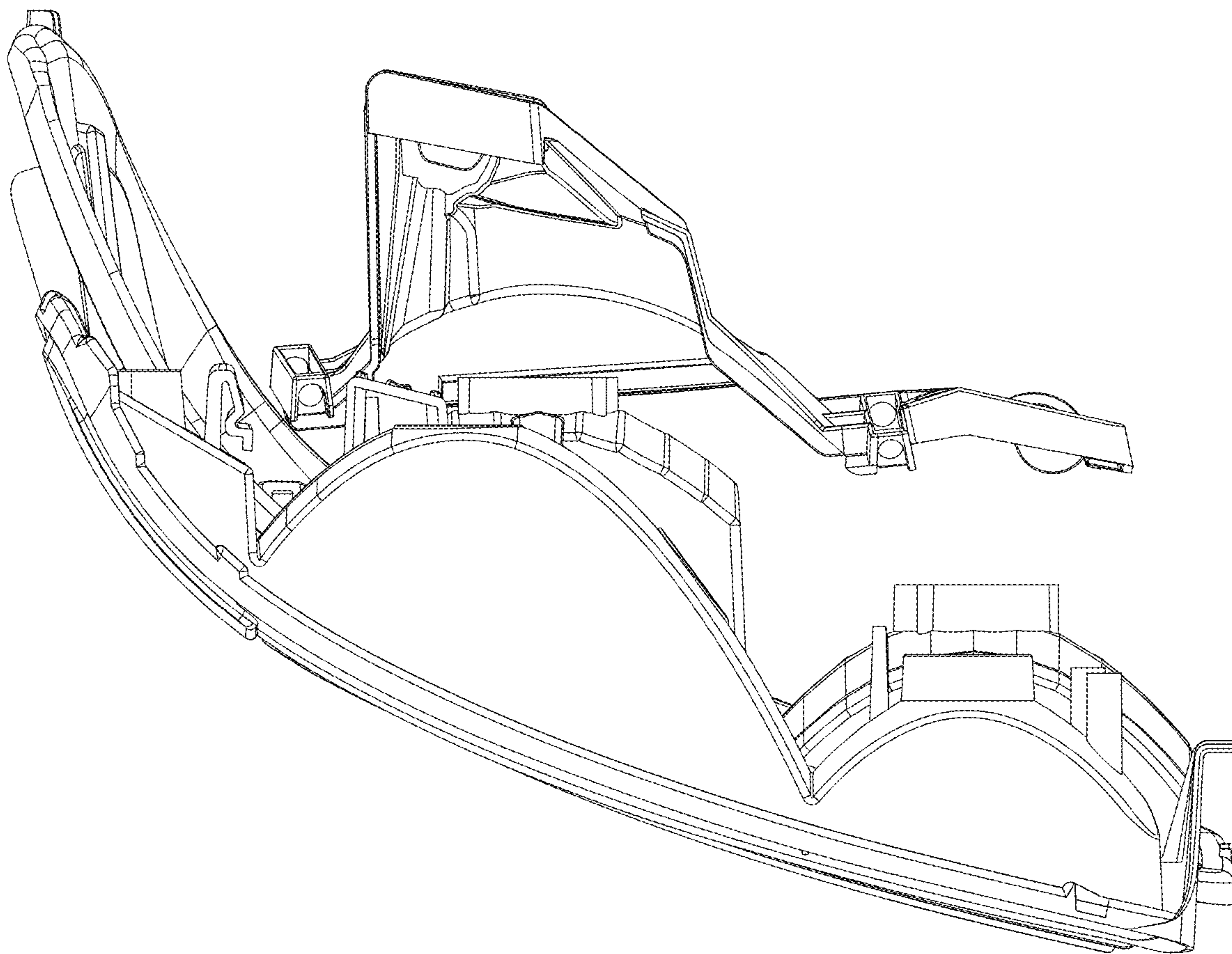


FIG. 7