



US00D965831S

(12) **United States Design Patent**
Leang et al.

(10) **Patent No.:** **US D965,831 S**

(45) **Date of Patent:** **** Oct. 4, 2022**

(54) **VEHICLE LIGHT**

(56) **References Cited**

(71) Applicant: **KC IP HOLDINGS, LLC**, Gardena,
CA (US)

U.S. PATENT DOCUMENTS

(72) Inventors: **Bobby Leang**, Los Angeles, CA (US);
Zeke Kayne Patterson, Valley Village,
CA (US)

D346,235 S * 4/1994 Tsai D26/29
D351,670 S * 10/1994 Tsai D26/29
D414,573 S * 9/1999 Hussaini D26/29

(73) Assignee: **KC IP HOLDINGS, LLC**, Gardena,
CA (US)

* cited by examiner

Primary Examiner — Marcus A Jackson

(**) Term: **15 Years**

(74) *Attorney, Agent, or Firm* — Stetina Brunda Garred &
Brucker

(21) Appl. No.: **29/763,684**

(57) **CLAIM**

The ornamental design for a vehicle light, as shown and
described.

(22) Filed: **Dec. 23, 2020**

DESCRIPTION

(51) **LOC (13) Cl.** **26-06**

FIG. 1 is a front perspective view showing a vehicle light of
the present invention;

(52) **U.S. Cl.**

FIG. 2 is a rear perspective view thereof;

USPC **D26/28**

FIG. 3 is a top view thereof;

(58) **Field of Classification Search**

USPC D26/28, 36, 139

FIG. 4 is a front view thereof;

CPC F21S 48/00; F21S 48/10; F21S 48/115;

FIG. 5 is a left side view thereof;

F21S 48/225; F21S 48/1233; F21S

FIG. 6 is a right side view thereof;

48/1266; F21S 48/1388; F21S 48/2268;

FIG. 7 is a bottom view thereof; and,

F21V 5/00; F21V 21/04; F21V 29/004;

FIG. 8 is a rear view thereof.

B60Q 9/13; B60Q 9/135; B60Q 9/1375;

F21W 2102/17; F21W 2103/00; F21W

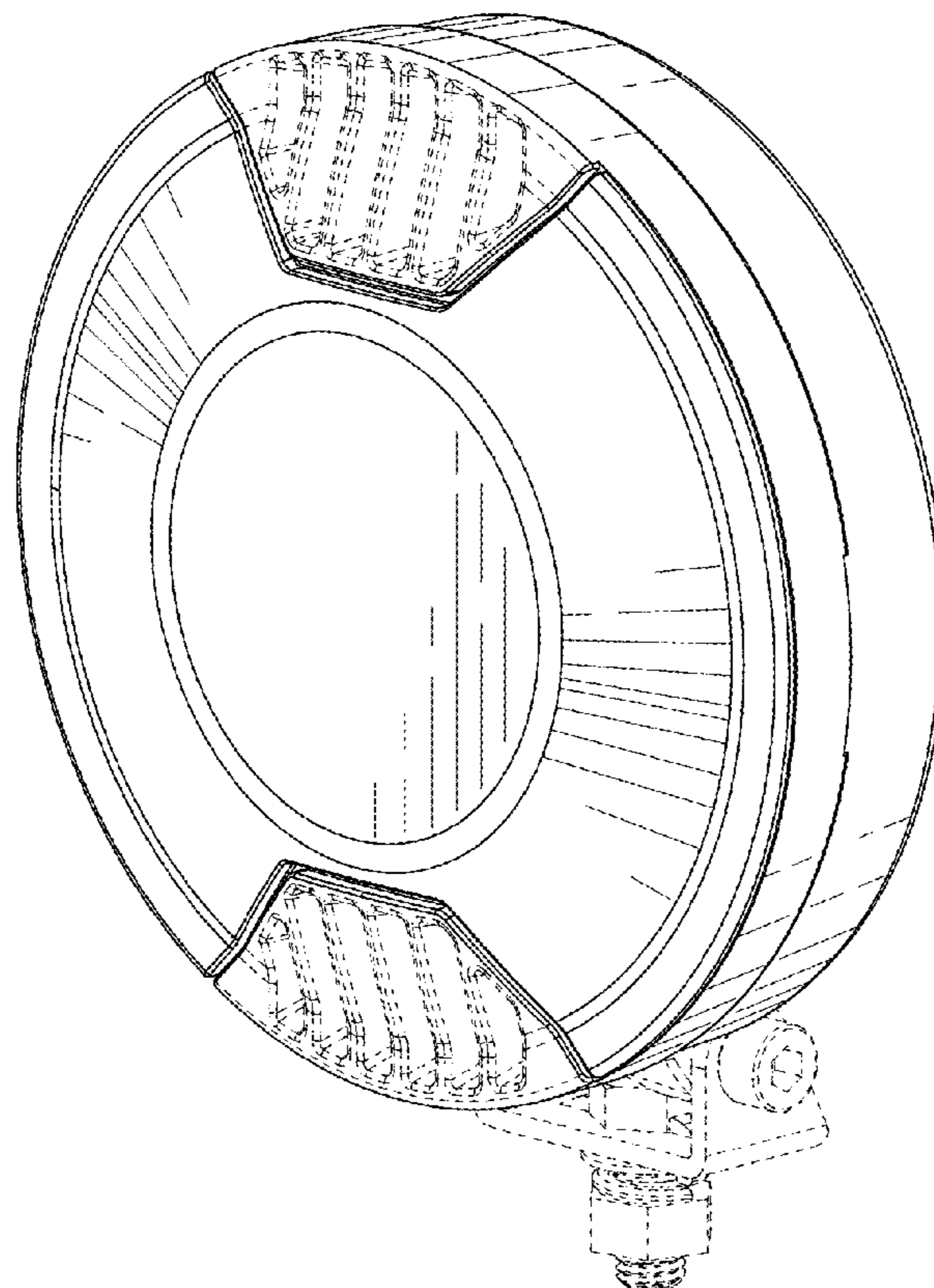
2103/35; F21W 2103/55; F21W 2107/13;

F21W 2107/17

In the drawings, the broken line showings are for the
purpose of illustrating portions of the vehicle light or
environmental structure that form no part of the claimed
design.

See application file for complete search history.

1 Claim, 4 Drawing Sheets



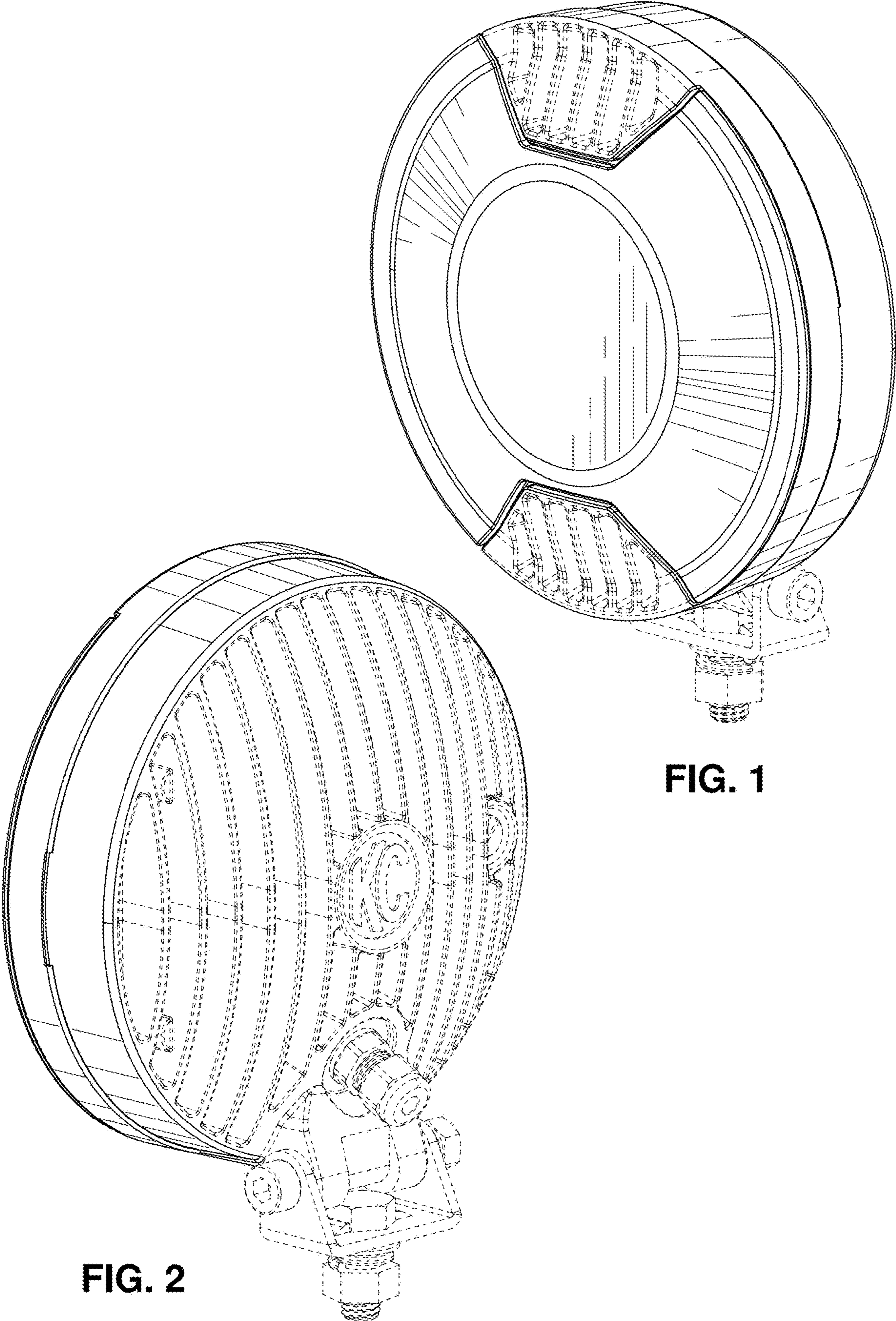


FIG. 1

FIG. 2

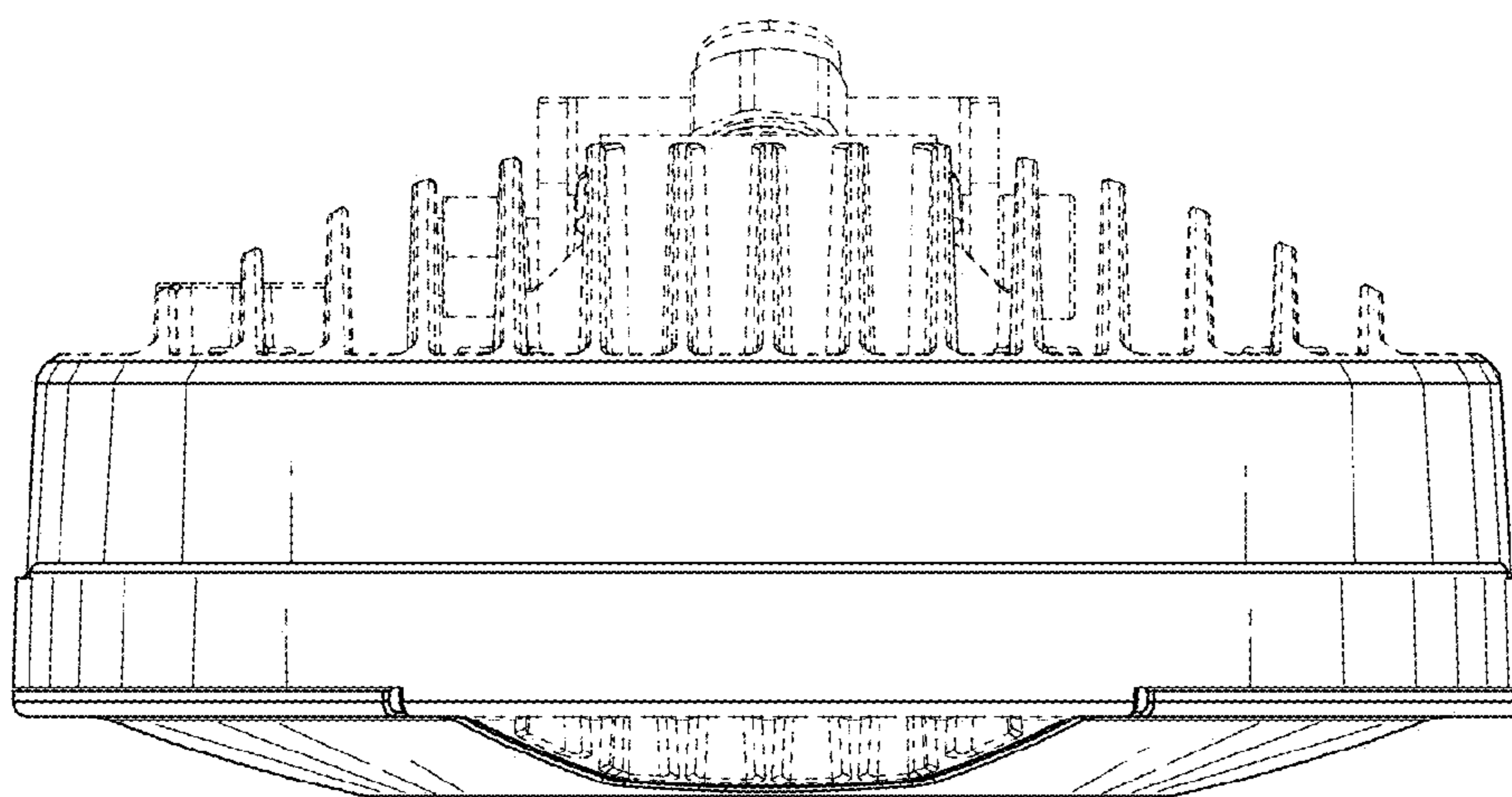


FIG. 3

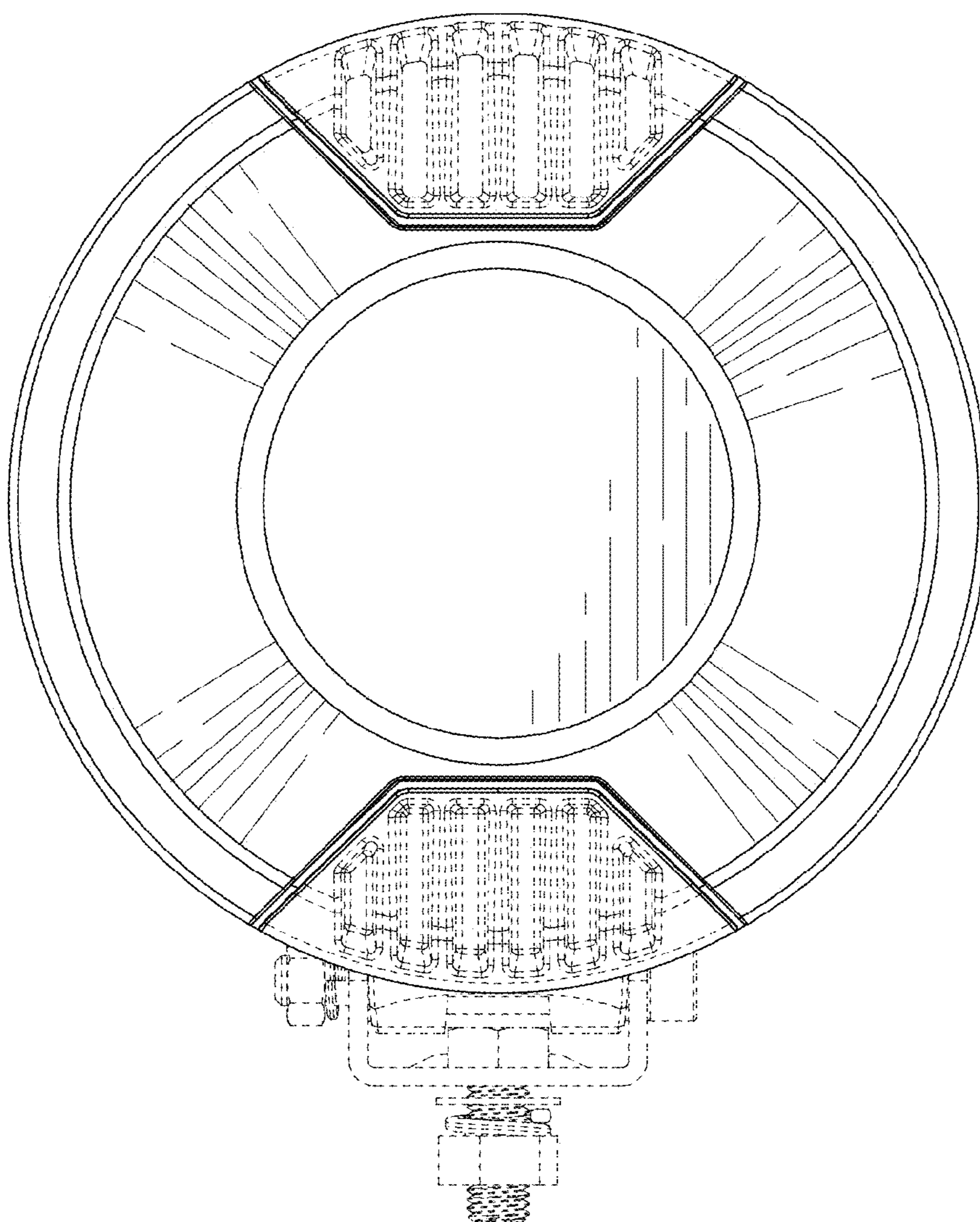


FIG. 4

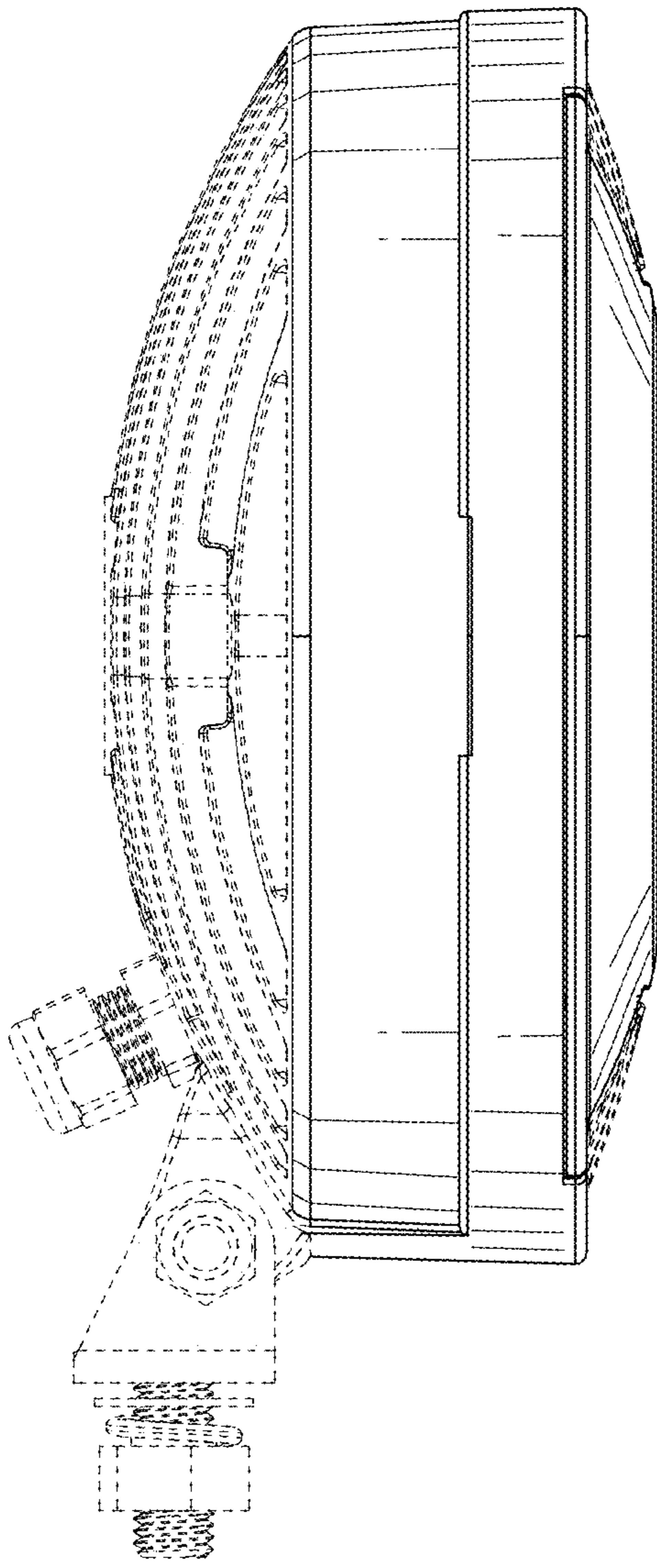


FIG. 5

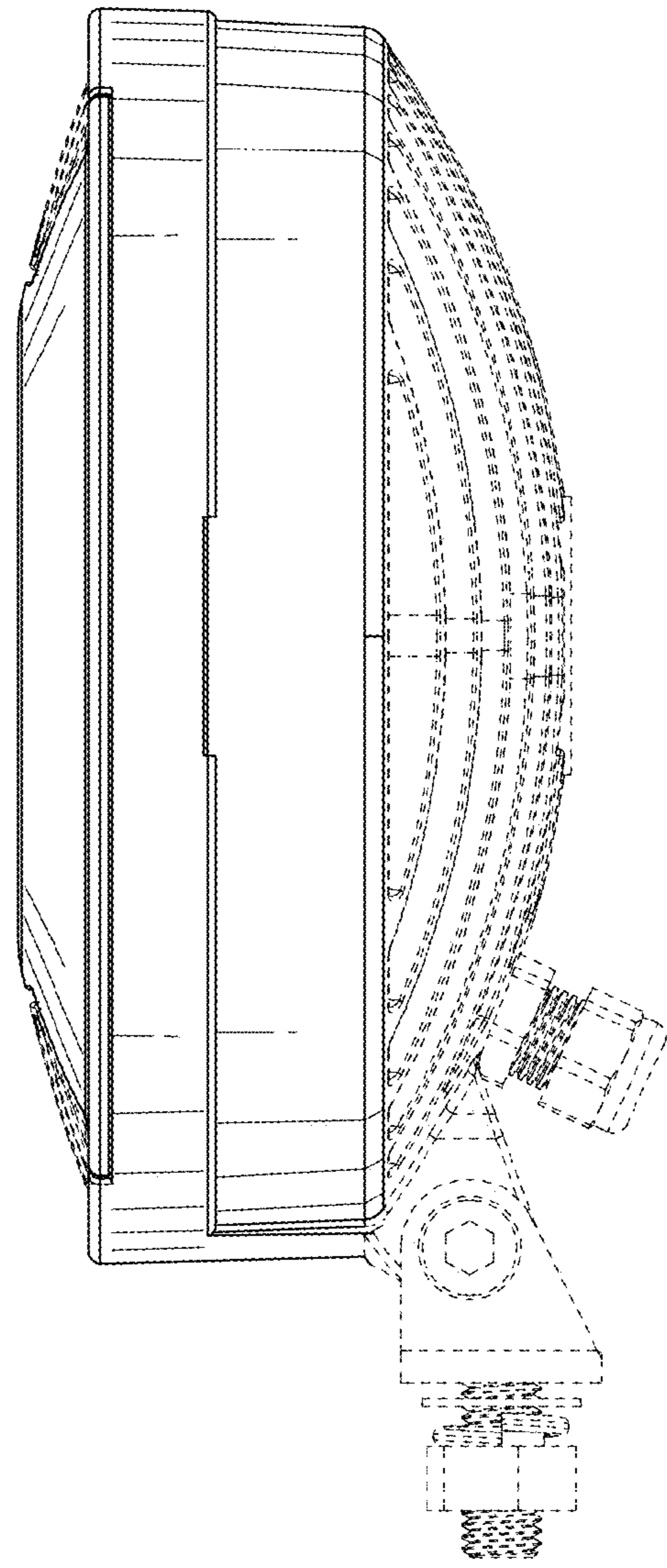


FIG. 6

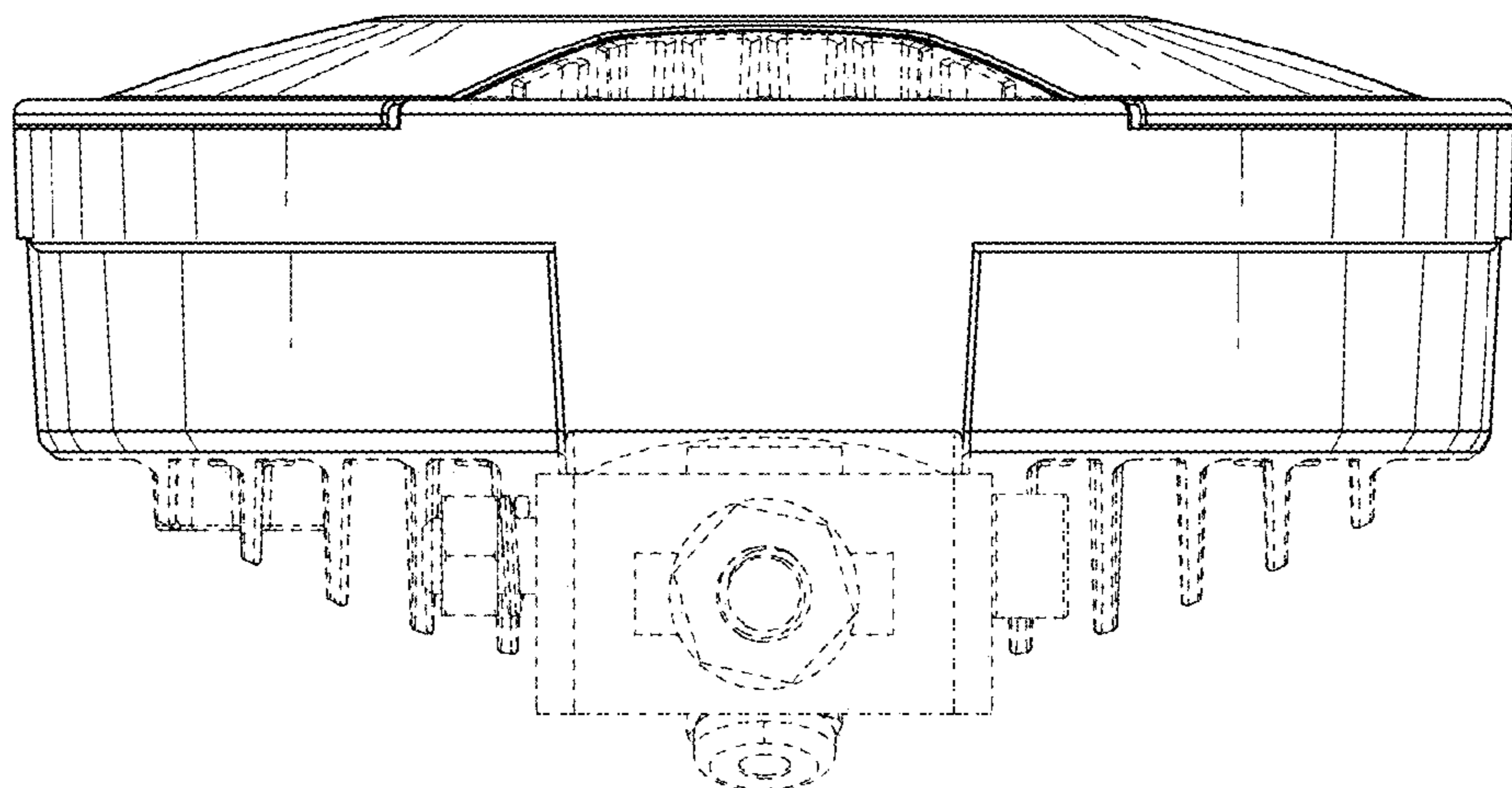


FIG. 7

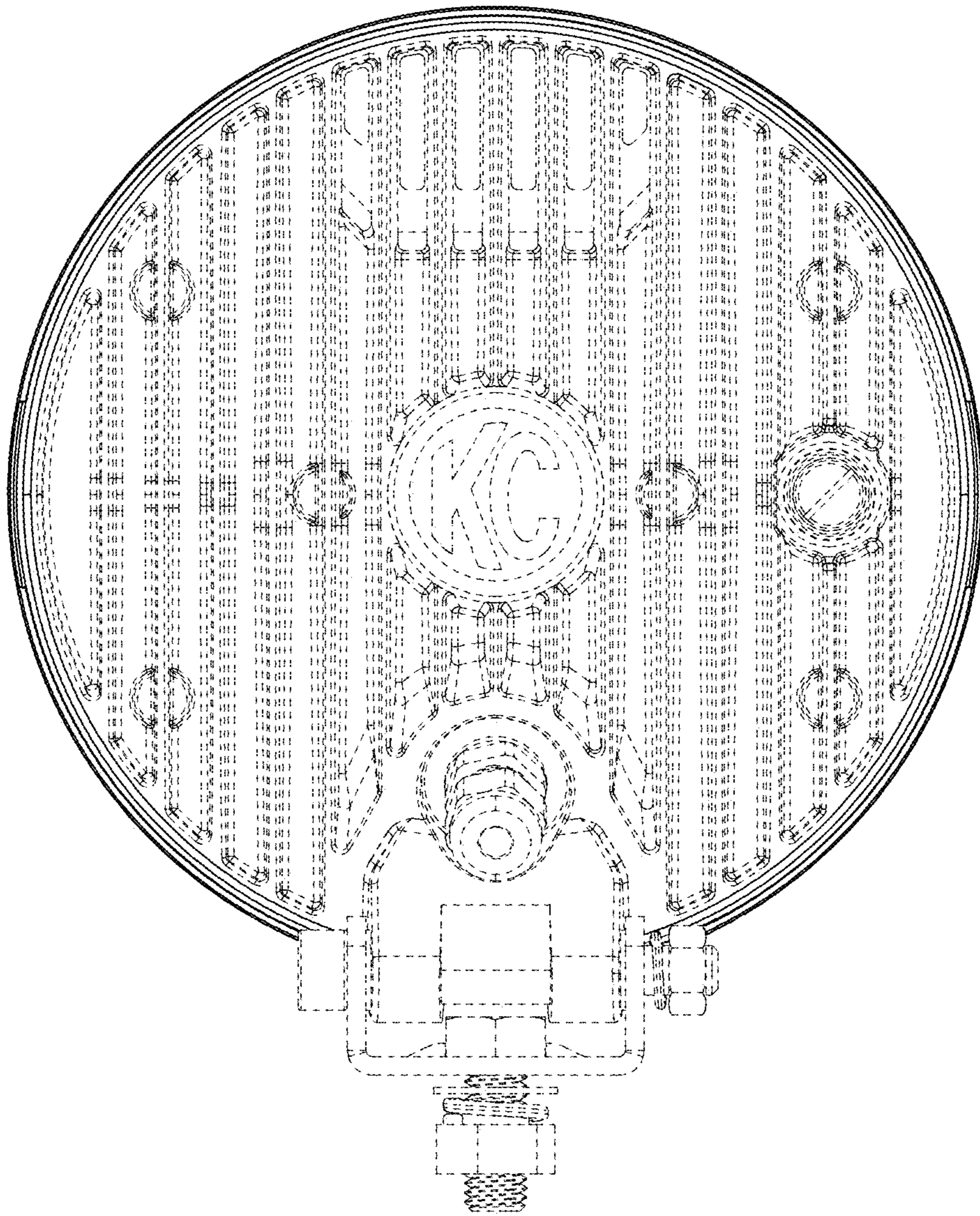


FIG. 8