



US00D965829S

(12) **United States Design Patent**
Zhang

(10) **Patent No.:** **US D965,829 S**

(45) **Date of Patent:** **** Oct. 4, 2022**

(54) **DIVING LIGHT**

(71) Applicant: **Danping Zhang**, Hunan (CN)

(72) Inventor: **Danping Zhang**, Hunan (CN)

(73) Assignee: **Shenzhen Xing Guo Peng Technology Co., Ltd.**, Shenzhen (CN)

(**) Term: **15 Years**

(21) Appl. No.: **29/748,543**

(22) Filed: **Aug. 31, 2020**

(51) **LOC (13) Cl.** **26-03**

(52) **U.S. Cl.**

USPC **D26/24; D26/72**

(58) **Field of Classification Search**

USPC D26/24, 28, 35, 36, 72, 80, 86, 102, 104,
D26/118, 67, 70

CPC F21S 8/033; F21S 8/04; F21S 8/043; F21S
9/03; F21V 5/007; F21V 21/26; F21V
31/00; F21V 37/0095; F21W 2105/00;
F21W 2107/10

See application file for complete search history.

(56) **References Cited**

U.S. PATENT DOCUMENTS

D560,829 S *	1/2008	Mason, II	H01L 21/68771	
					D26/28
D592,330 S *	5/2009	Huang		D26/28
D625,452 S *	10/2010	Yamada		D26/63
D626,255 S *	10/2010	Hiratsuka		D26/1
D626,666 S *	11/2010	Yamamoto		D26/2
D640,405 S *	6/2011	Yamada		D26/63
D660,506 S *	5/2012	McMahan		D26/118
D702,866 S *	4/2014	Blincoe		D26/63
D793,971 S *	8/2017	Krishnan	H01L 21/68771	
					D13/182
D828,606 S *	9/2018	Johnson		D26/80
D845,530 S *	4/2019	Yu		D26/63

D882,140 S *	4/2020	Yang		D26/63
D883,542 S *	5/2020	Hu		D26/37
D895,175 S *	9/2020	Li		D26/24
D905,889 S *	12/2020	Chen		D26/72
D909,651 S *	2/2021	Tan		D26/63
D911,560 S *	2/2021	Hu		D26/24
D911,567 S *	2/2021	Lv		D26/63
D917,092 S *	4/2021	Zhang		D26/110
D920,543 S *	5/2021	Wei		D26/24
D920,566 S *	5/2021	Wei		D26/110
D935,646 S *	11/2021	Huang		D26/24

FOREIGN PATENT DOCUMENTS

EM 008121743-0001 * 8/2020

OTHER PUBLICATIONS

Mavie Waterproof Underwater Light, Mar. 1, 2017, Amazon.co.uk, site visited Apr. 22, 2022, url: <https://www.amazon.co.uk/dp/B06X9Q3HRN/> (Year: 2017).*

(Continued)

Primary Examiner — T Chase Nelson

Assistant Examiner — Rachel Wolfe

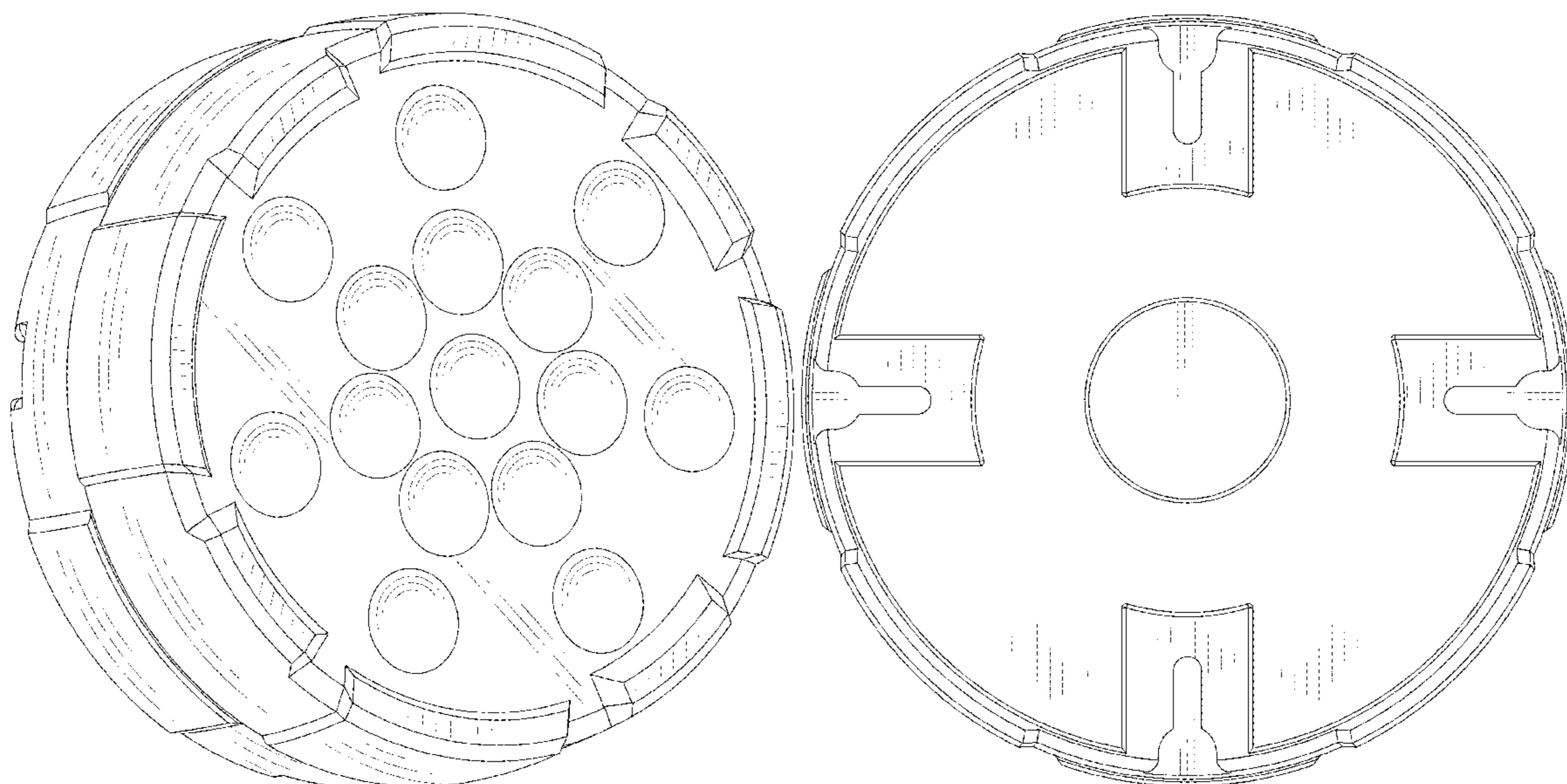
(57) **CLAIM**

The ornamental design for a diving light, as shown and described.

DESCRIPTION

FIG. 1 is a perspective view of a diving light showing my new design;
FIG. 2 is a front elevational view thereof;
FIG. 3 is a rear elevational view thereof;
FIG. 4 is a left side elevational view thereof;
FIG. 5 is a right side elevational view thereof;
FIG. 6 is a top plan view thereof;
FIG. 7 is a bottom plan view thereof; and,
FIG. 8 is another perspective view thereof.

1 Claim, 8 Drawing Sheets



(56)

References Cited

OTHER PUBLICATIONS

Qoolife Magnetic Submersible LED Lights, May 7, 2018, Amazon.co.uk, site visited Apr. 22, 2022, url: <https://www.amazon.co.uk/dp/B07CXMBXBT/?th=1> (Year: 2018).*

Yunlights Submersible Pool Lights Waterproof, Apr. 24, 2019, Amazon.com, site visited Apr. 22, 2022, url: <https://www.amazon.com/dp/B07R2B96SX> (Year: 2019).*

Chakev Submersible Led Pool Lights, Dec. 4, 2020, Amazon.com.au, site visited Apr. 22, 2022, url: <https://www.amazon.com.au/dp/B08PNZ49TK?th=1> (Year: 2020).*

* cited by examiner

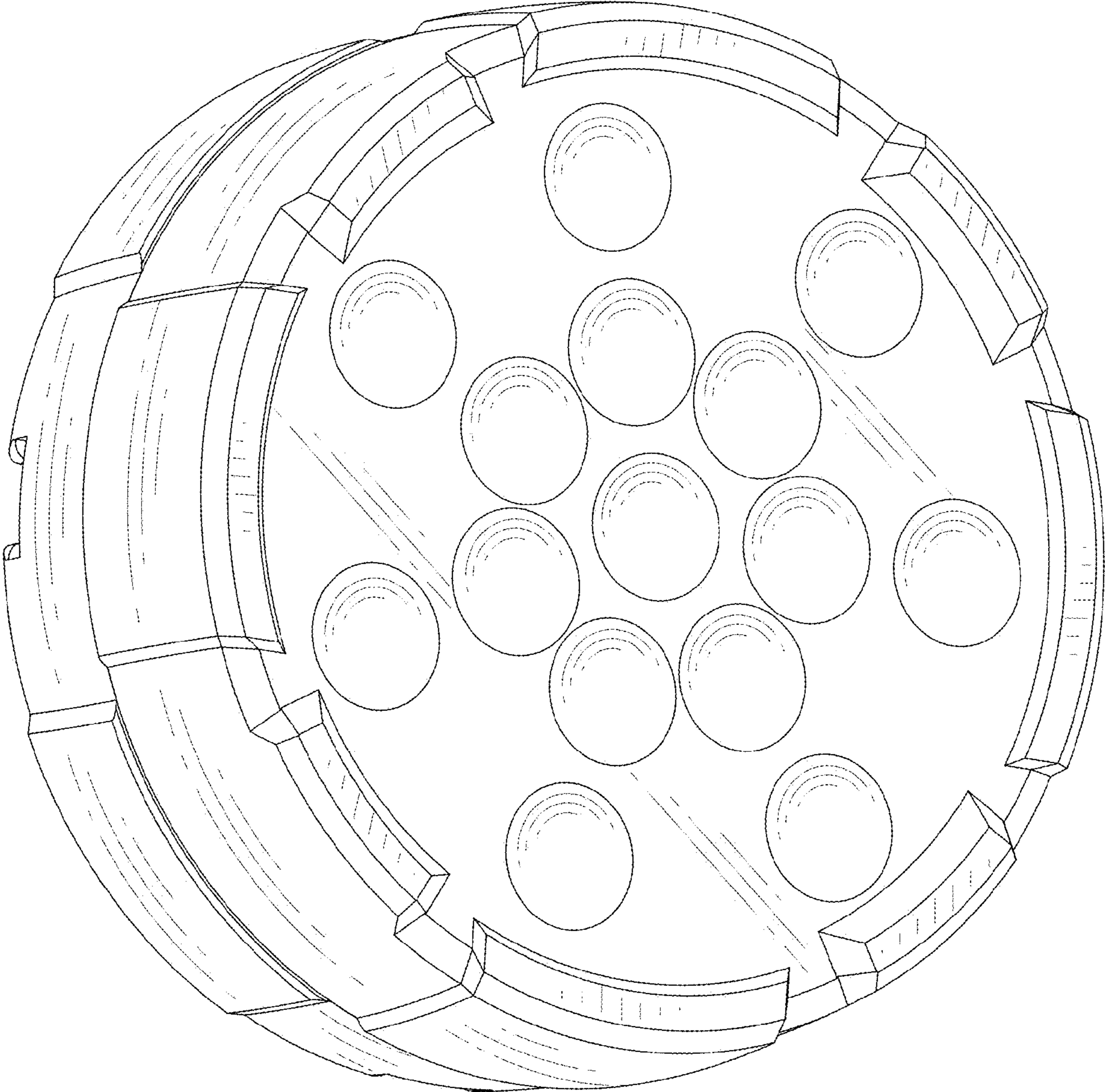


FIG.1

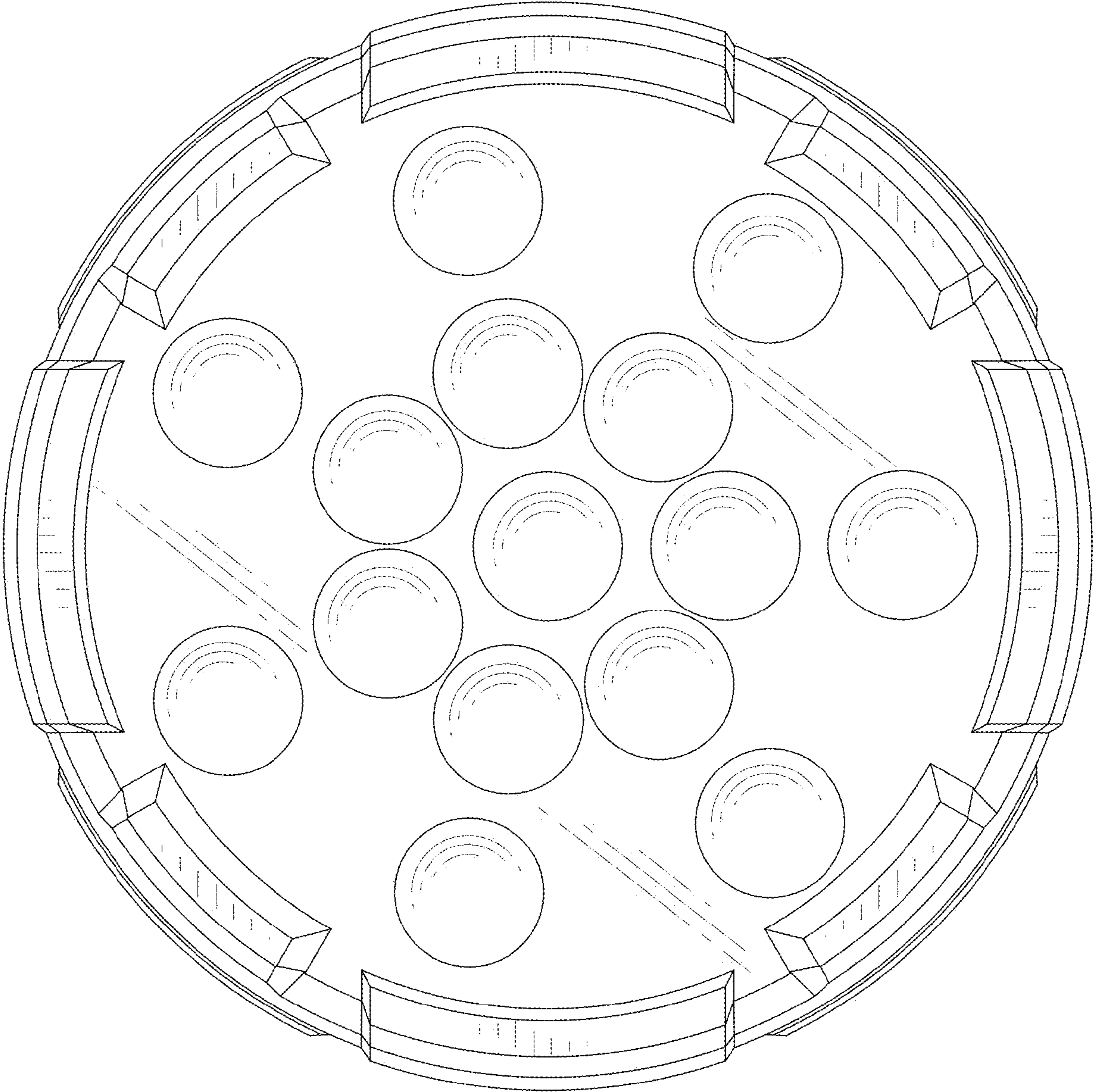


FIG.2

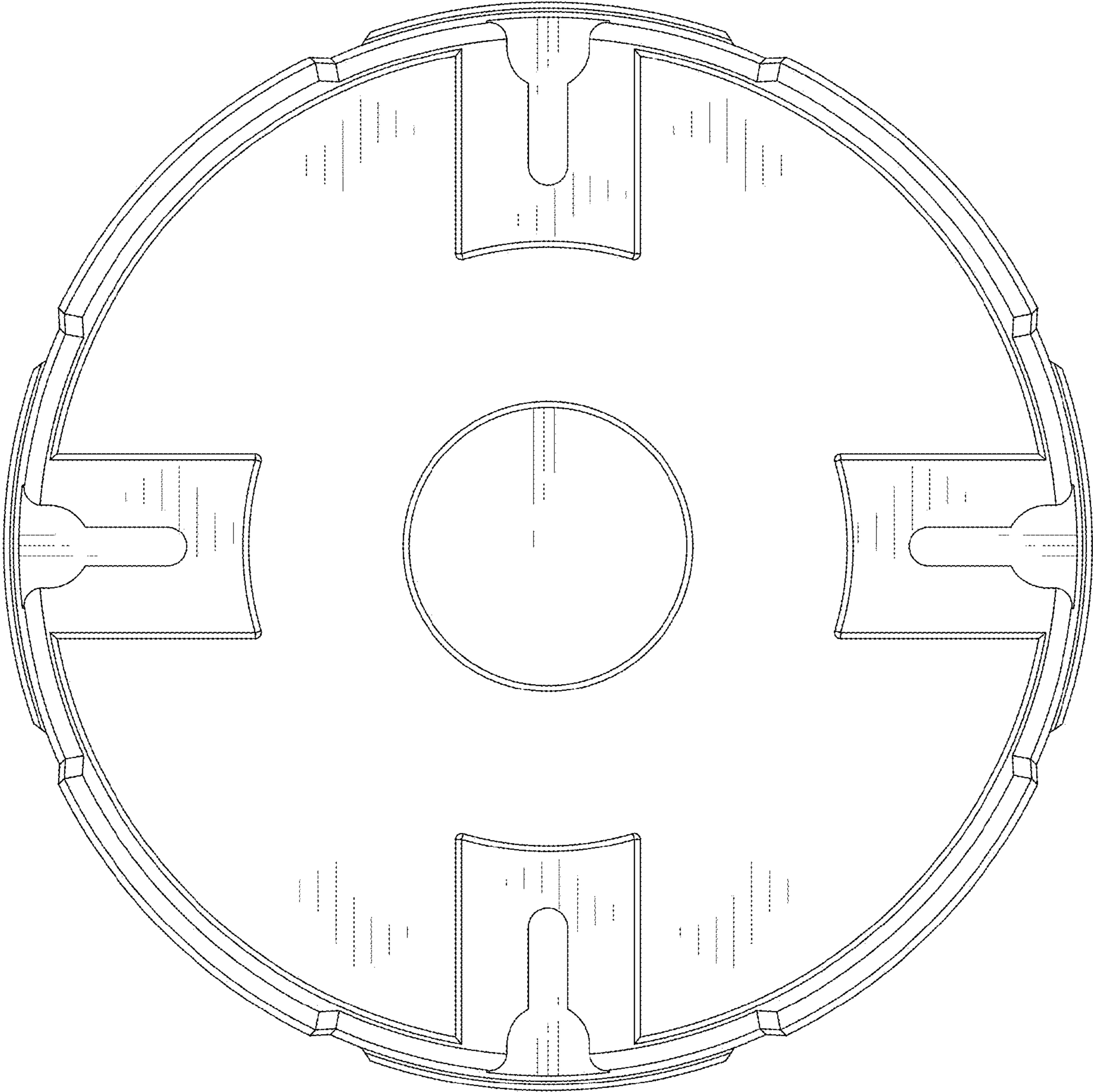


FIG.3

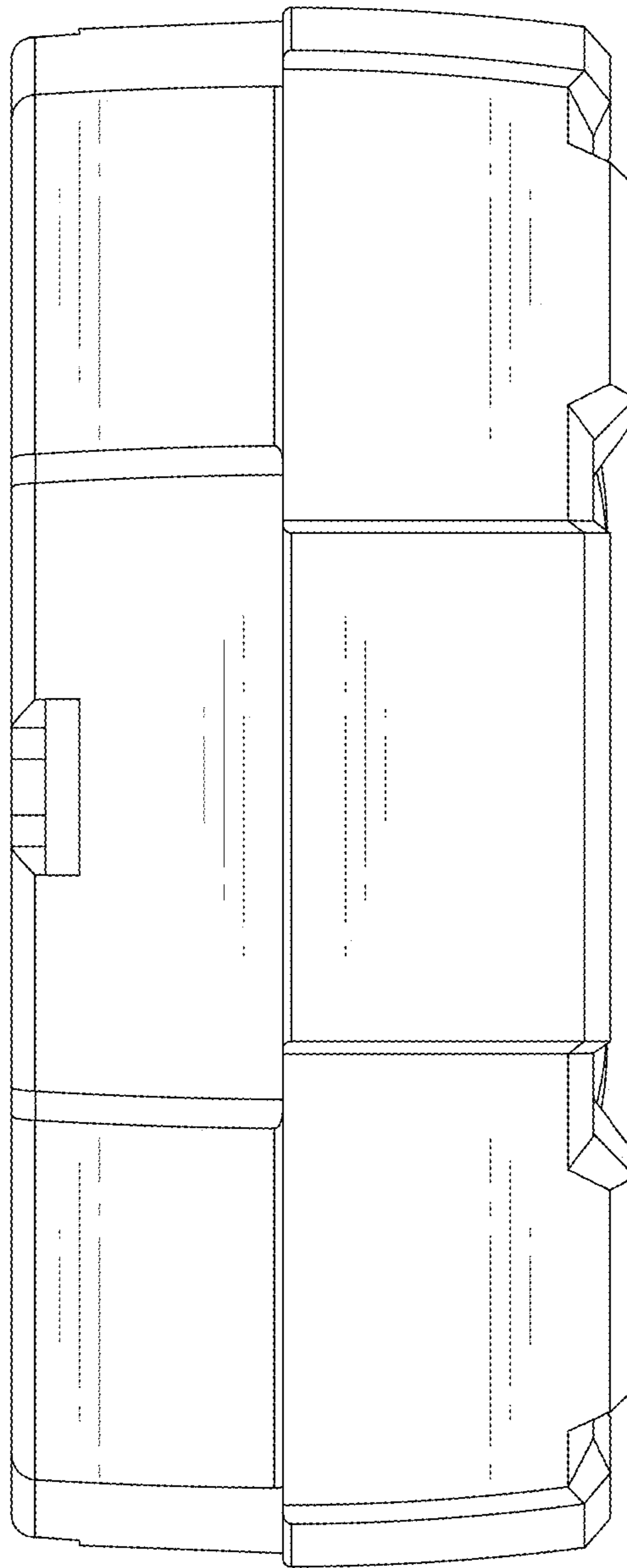


FIG.4

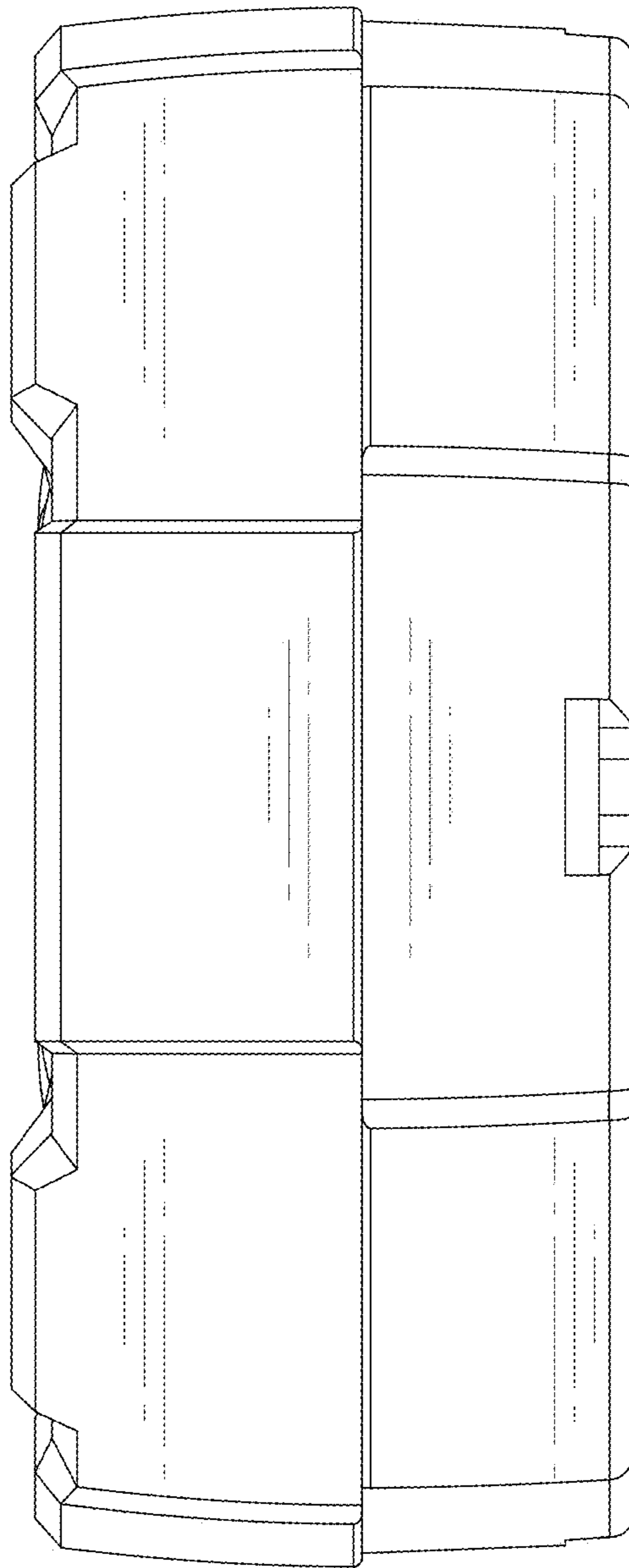


FIG.5

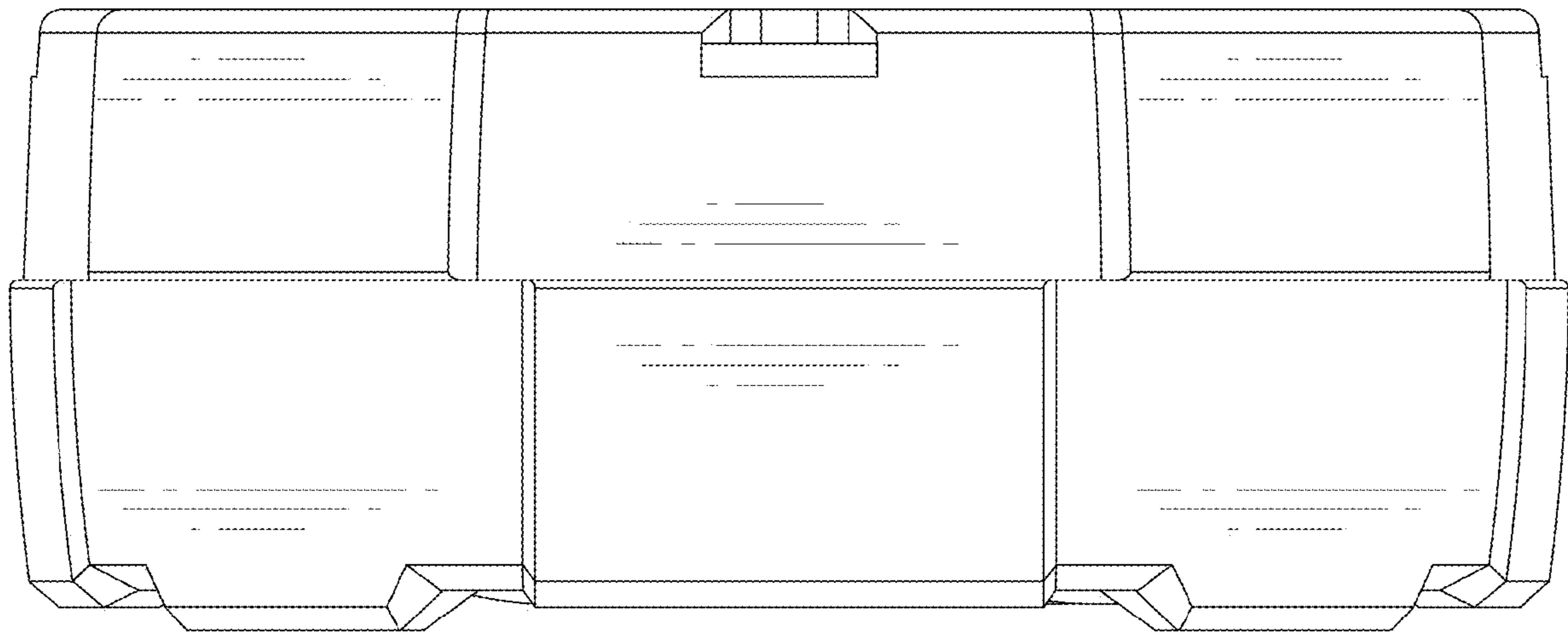


FIG.6

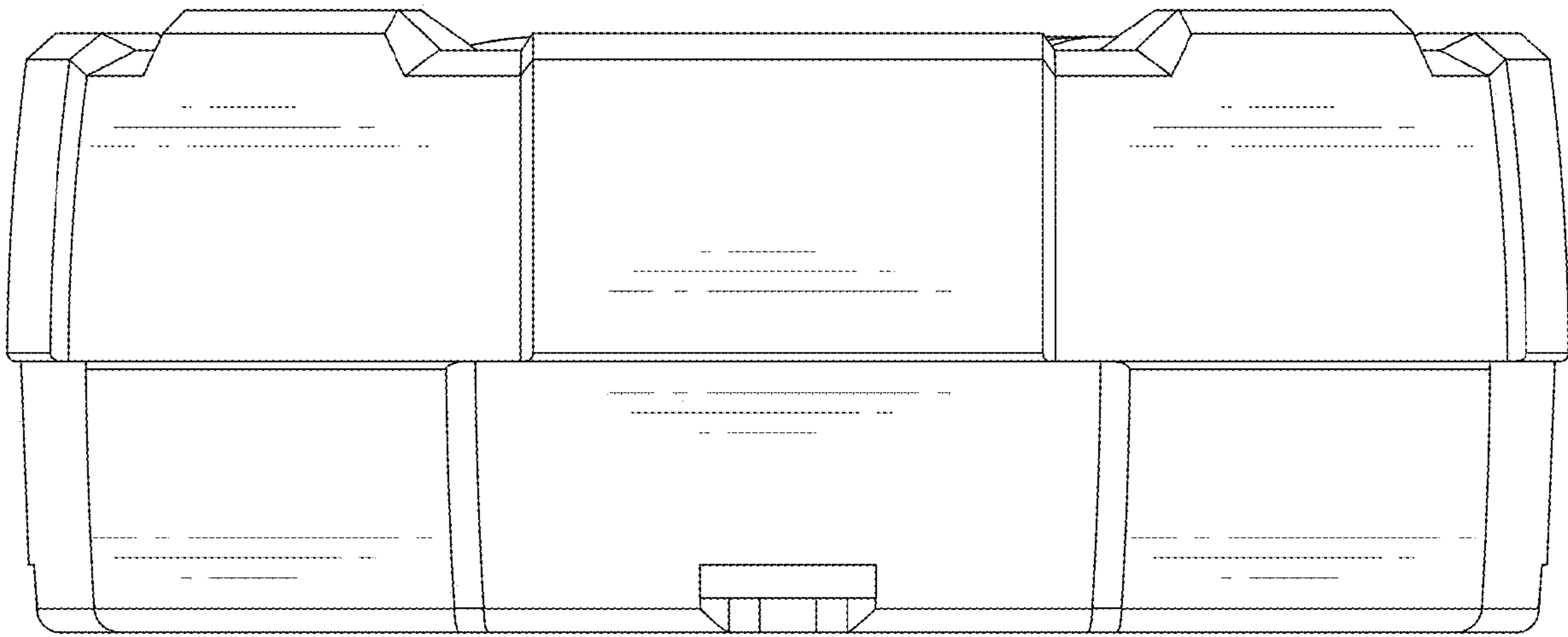


FIG.7

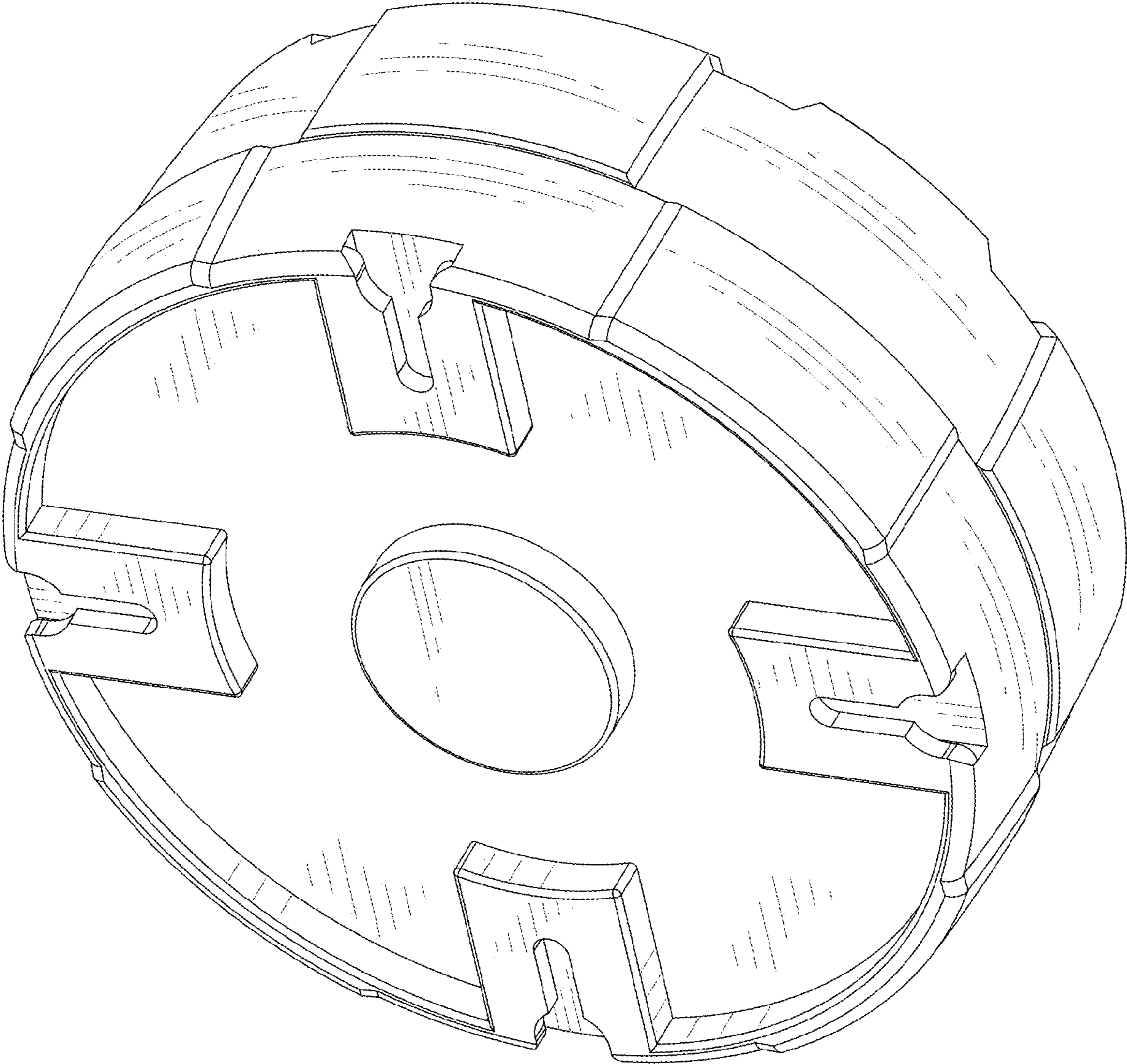


FIG.8