



US00D965828S

(12) **United States Design Patent** (10) **Patent No.:** **US D965,828 S**  
**Chen** (45) **Date of Patent:** **\*\* Oct. 4, 2022**

(54) **LUMINOUS WIRE**  
(71) Applicant: **Chien-Hao Chen**, Dongshan Township (TW)

(72) Inventor: **Chien-Hao Chen**, Dongshan Township (TW)

(\*\*) Term: **15 Years**

(21) Appl. No.: **29/714,891**

(22) Filed: **Nov. 26, 2019**

(51) **LOC (13) Cl.** ..... **26-04**

(52) **U.S. Cl.**  
USPC ..... **D26/24; D13/153**

(58) **Field of Classification Search**  
USPC ..... D13/133, 139.2, 152, 153, 155;  
D25/119, 121, 123, 125; D26/1, 2, 24,  
D26/27, 72, 74-78, 80-83, 85-86, 88-90,  
D26/113, 118, 120-122, 138, 141  
CPC ..... F21S 8/00; F21S 8/03; F21S 8/031; F21S  
8/036; F21S 8/04; F21S 8/043; F21S  
8/046; F21S 8/06; F21S 8/063; F21V  
3/049; F21V 7/00; F21V 7/0016; F21V  
7/0041; F21V 7/005; F21V 7/0083; F21V  
23/001; H02G 5/00; H02G 15/00; H02G  
15/003

See application file for complete search history.

(56) **References Cited**

U.S. PATENT DOCUMENTS

2,441,461	A *	5/1948	Wayne	.....	H01R 25/14 439/115
2,729,696	A *	1/1956	Hull	.....	H01B 7/38 D13/153
D185,856	S *	8/1959	Scofield	.....	D13/153
D224,790	S *	9/1972	Shlesinger, Jr.	.....	D13/153
D355,161	S *	2/1995	Bodnar	.....	D13/146
D463,777	S *	10/2002	Mellgren	.....	D13/157
D573,101	S *	7/2008	Ng	.....	D13/153
D634,340	S *	3/2011	Luotoharju	.....	D15/135

D634,341	S *	3/2011	Luotoharju	.....	D15/135
D733,535	S *	7/2015	Egami	.....	D8/356
D842,255	S *	3/2019	Marrapode	.....	D13/153
D868,355	S *	11/2019	Trzcielinski	.....	D26/138
D908,098	S *	1/2021	Kim	.....	D13/133

(Continued)

FOREIGN PATENT DOCUMENTS

EM 007338645-0001 \* 12/2019

OTHER PUBLICATIONS

Custom Cross Section, date unavailable, retrieved Jun. 23, 2022 from URL: <https://rn.made-in-china.com/product/Custom-Cross-Section-Special-Profile-Wires-for-Support-Bar-915317215.html> (Year: 2022).\*

(Continued)

*Primary Examiner* — Richard Kearney  
*Assistant Examiner* — Christina M. Dodson  
(74) *Attorney, Agent, or Firm* — Muncy, Geissler, Olds & Lowe, P.C.

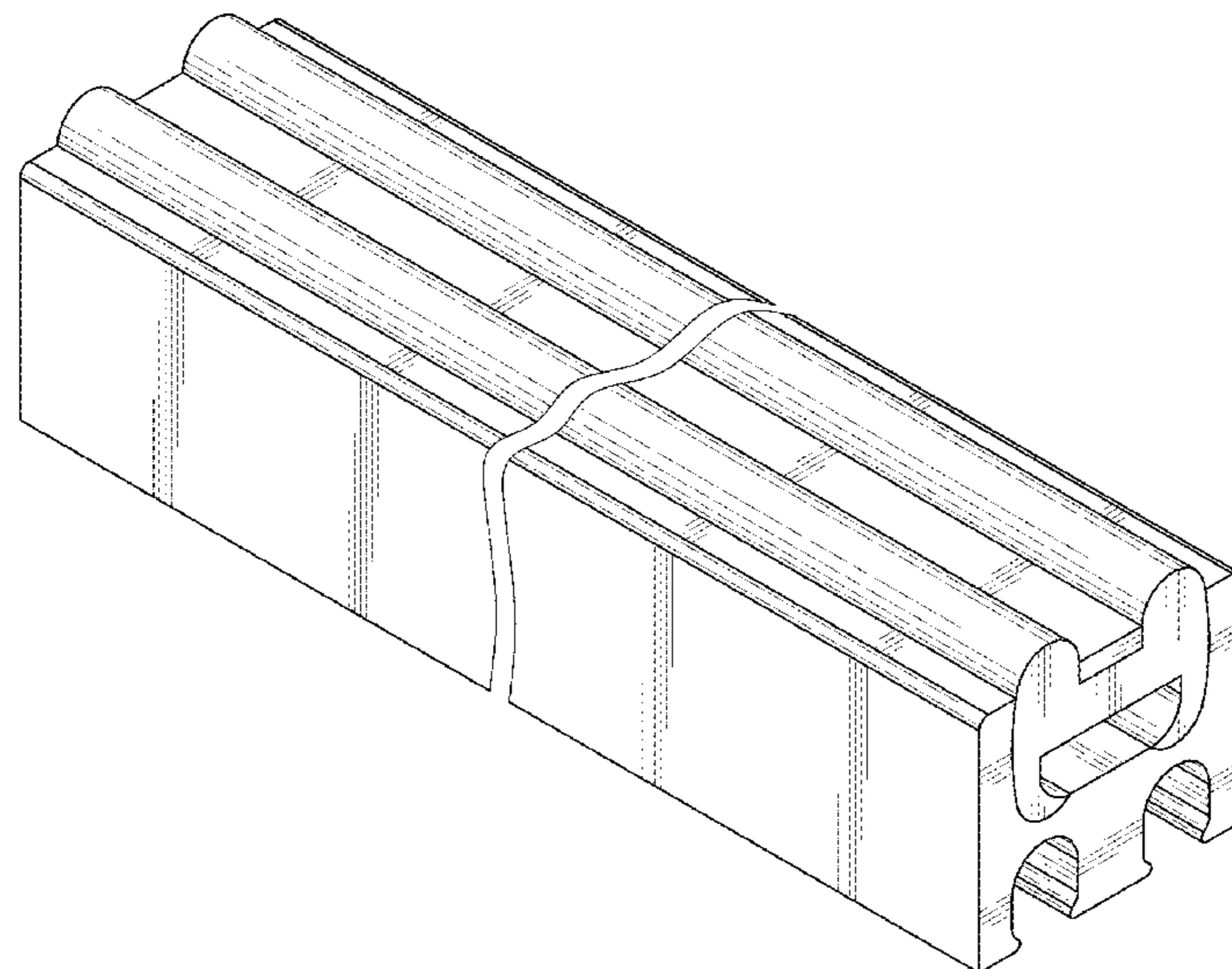
(57) **CLAIM**

The ornamental design for luminous wire, as shown and described.

**DESCRIPTION**

FIG. 1 is a perspective view of a luminous wire showing my new design;  
FIG. 2 is a front elevational view thereof;  
FIG. 3 is a rear elevational view thereof;  
FIG. 4 is a left side elevational view thereof;  
FIG. 5 is a right side elevational view thereof;  
FIG. 6 is a top plan view thereof; and,  
FIG. 7 is a bottom plan view thereof.  
The luminous wire is shown with a symbolic break in its length. The appearance of any portion of the article between the break lines forms no part of the claimed design.

**1 Claim, 7 Drawing Sheets**



(56)

**References Cited**

U.S. PATENT DOCUMENTS

2018/0213729 A1\* 8/2018 Lebel ..... F21K 9/20  
2018/0363886 A1\* 12/2018 Narayanaswamy .. F21V 15/013

OTHER PUBLICATIONS

Shaped Wires for Agriculture, Electrical & Medical Fields, date unavailable, retrieved Jun. 23, 2022 from URL: <https://www.galwire.com/galvanizedmetalwire/special-shaped-wire.html> (Year: 2022).\*

\* cited by examiner

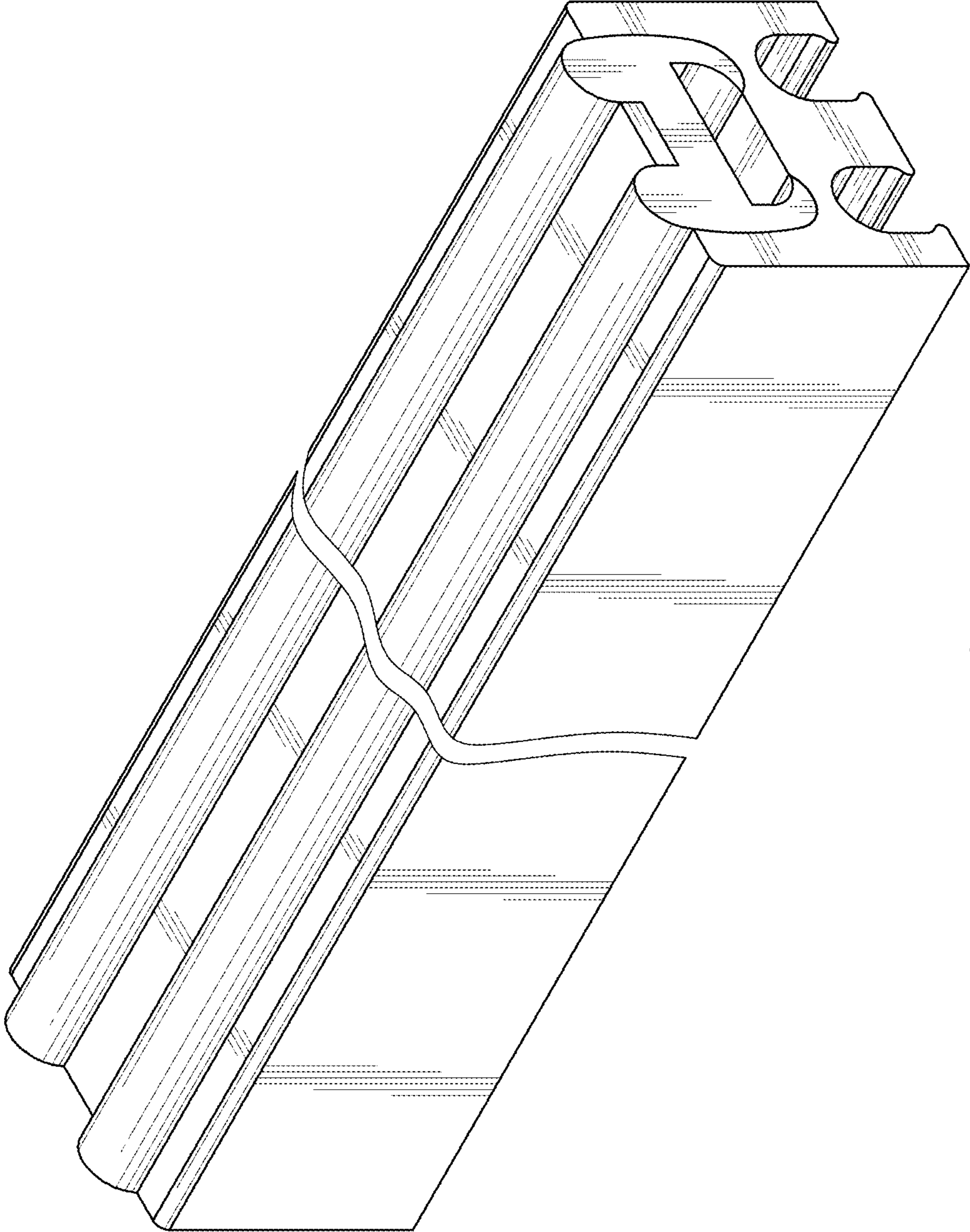


Fig. 1

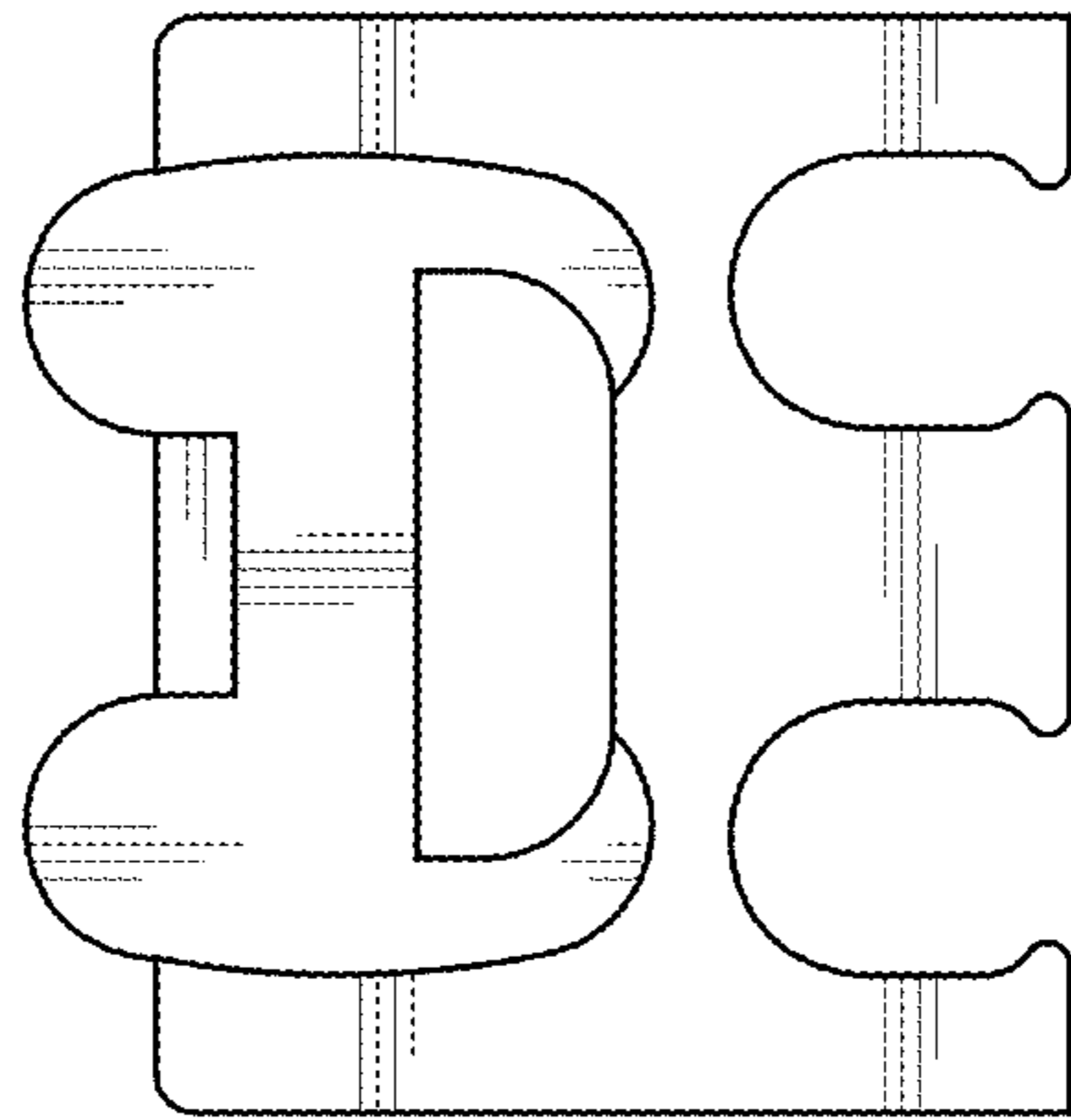


Fig. 2

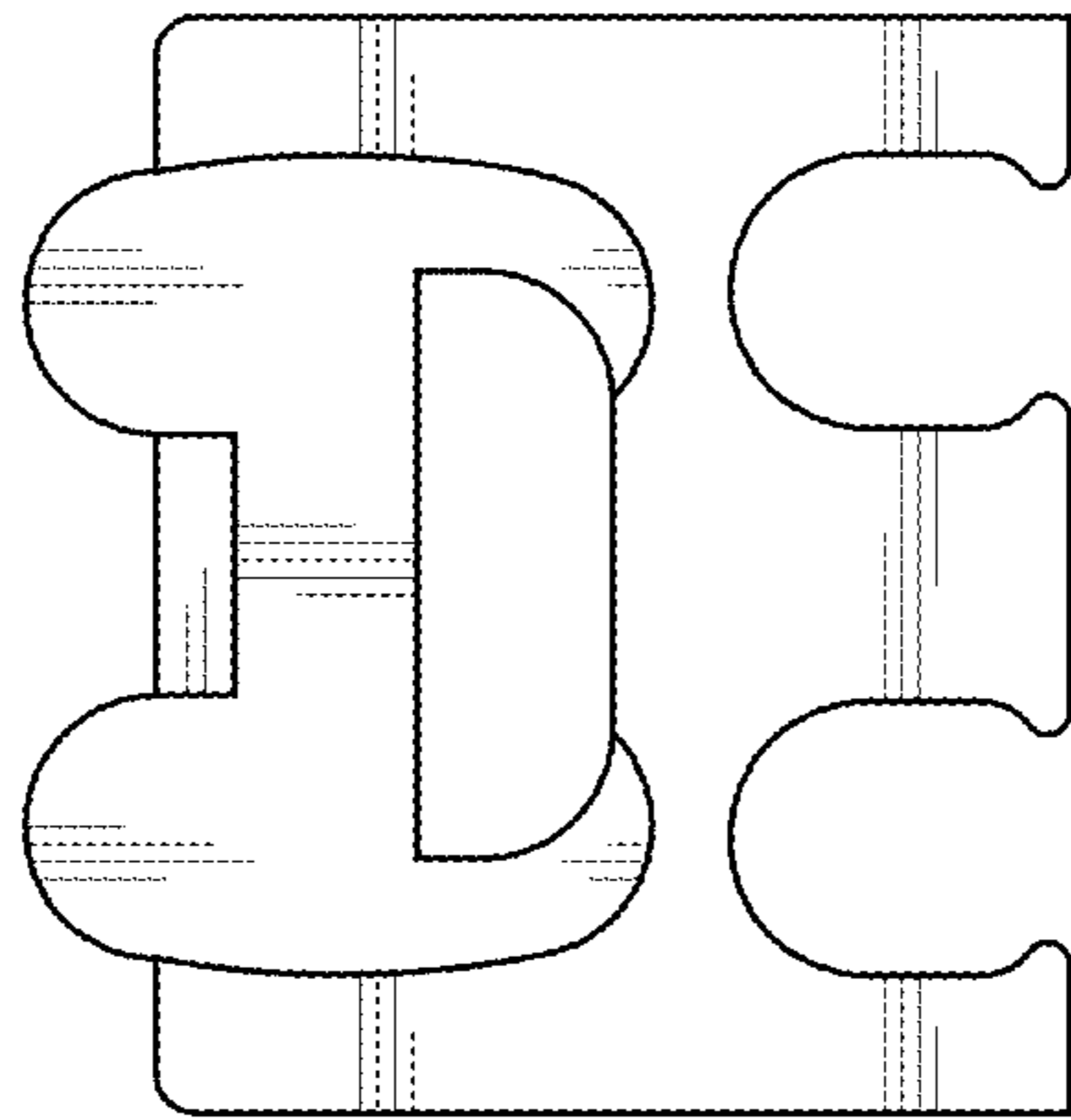


Fig. 3

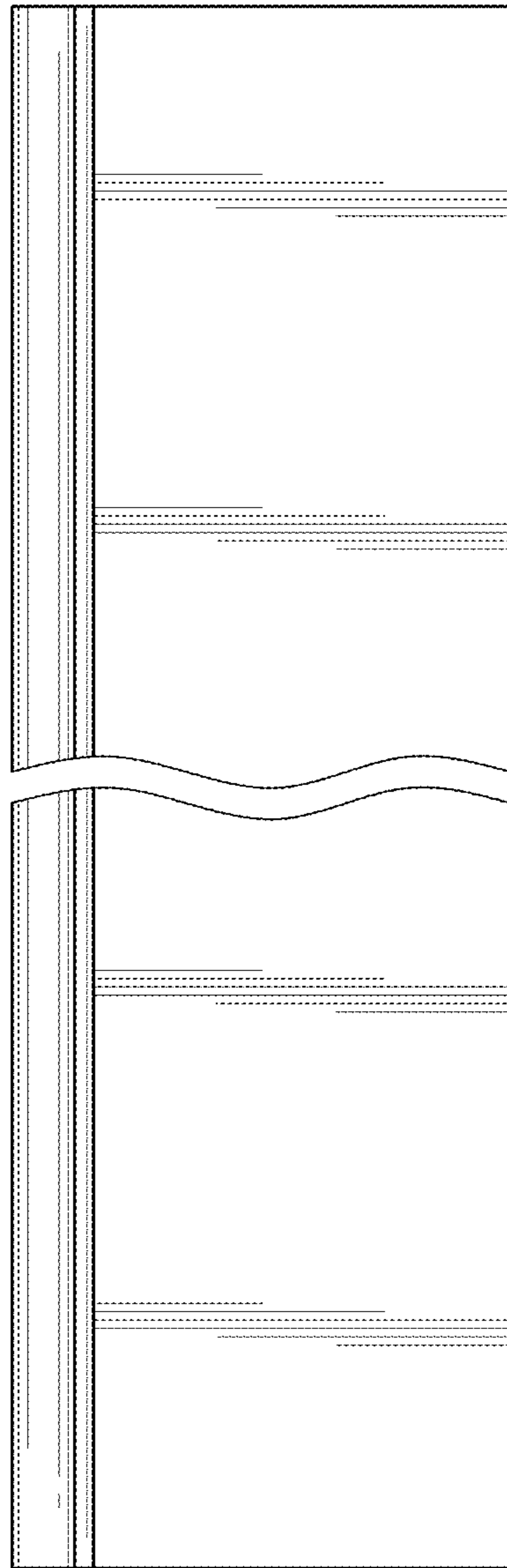


Fig. 4



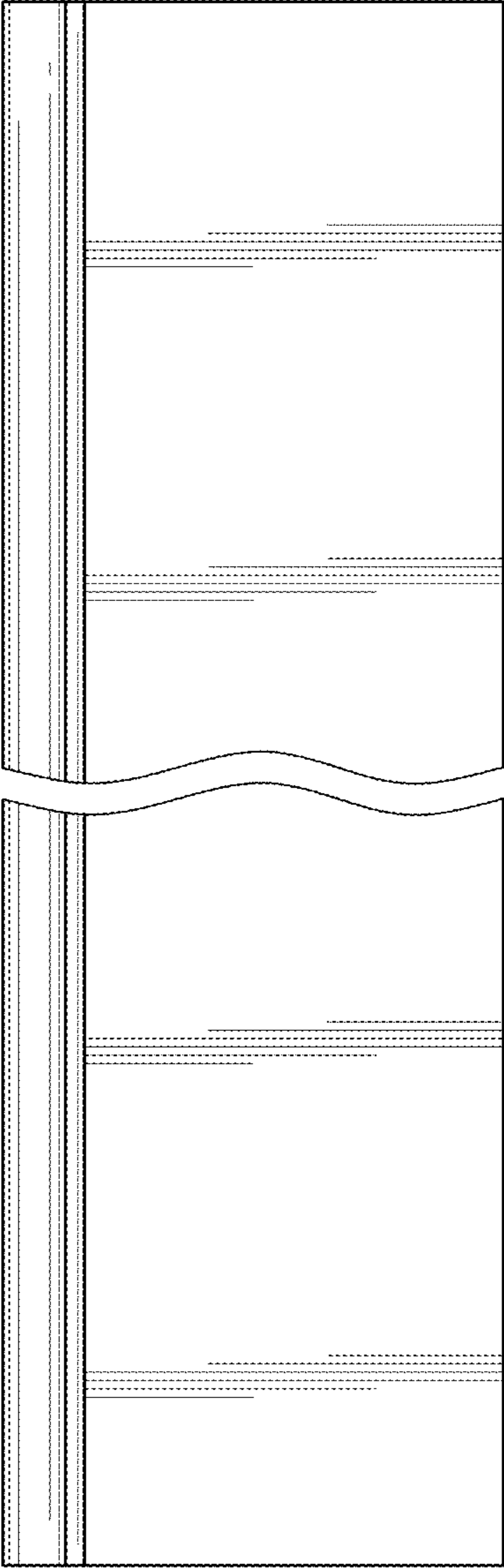


Fig. 5

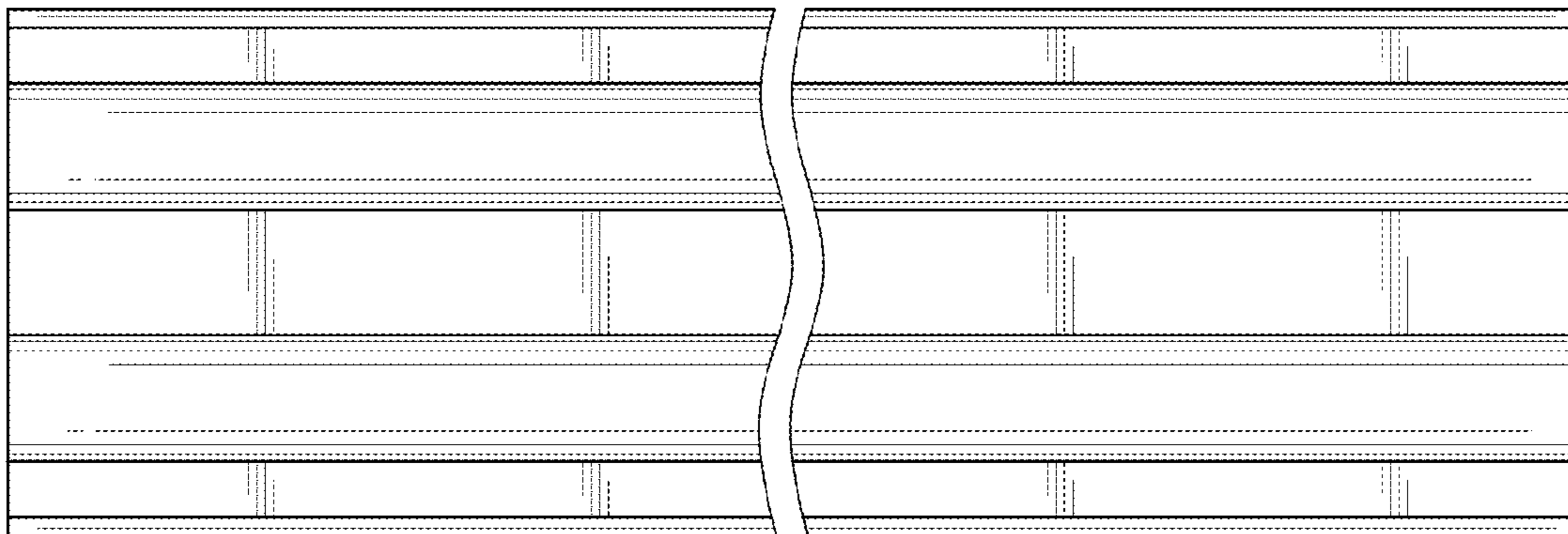


Fig. 6



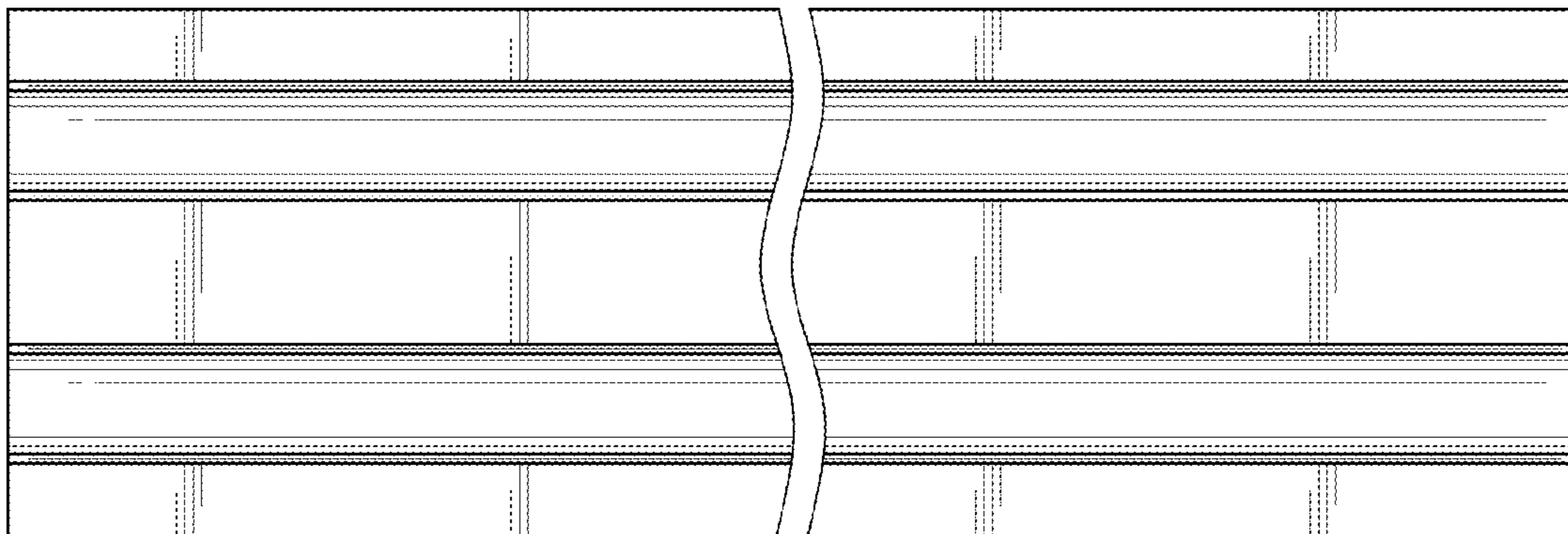


Fig. 7