

US00D965824S

(12) **United States Design Patent** (10) **Patent No.:** **US D965,824 S**
Bergstrom et al. (45) **Date of Patent:** **** Oct. 4, 2022**

(54) **REPLACEABLE DOCKABLE MEMBRANE MODULE**

FOREIGN PATENT DOCUMENTS

(71) Applicant: **Natural Ocean Well Co.**, Culver City, CA (US)

NO 344863 B1 6/2020
WO WO0041971 A1 7/2000
(Continued)

(72) Inventors: **Robert A. Bergstrom**, Culver City, CA (US); **Michael M. Porter**, Culver City, CA (US)

OTHER PUBLICATIONS

(73) Assignee: **Natural Ocean Well Co.**, Culver City, CA (US)

Modular Docking Systems, Feb. 3, 2011, boatingmag.com, Jun. 9, 2022, URL: <https://www.boatingmag.com/how-to/modular-docking-systems/> (Year: 2011).*

(**) Term: **15 Years**

Primary Examiner — Keith J Wilson

(21) Appl. No.: **29/757,038**

(74) *Attorney, Agent, or Firm* — Patterson Thuent Pedersen, P.A.

(22) Filed: **Nov. 2, 2020**

(51) **LOC (13) Cl.** **25-01**

(57) **CLAIM**

(52) **U.S. Cl.**
USPC **D25/138**

We claim the ornamental design for replaceable dockable membrane module, as shown.

(58) **Field of Classification Search**
USPC D2/627; D3/217, 327; D25/113, 117, D25/138-163; D24/190; D29/101.1, D29/101.3, 101.5; D30/108, 114, 116, D30/119, 120, 136-138, 144-145, D30/151-152, 199
CPC . E04F 15/22; E04F 15/02; E04F 15/16; E04F 11/16; E04B 2/00; E04B 5/43; A01K 25/00; A01K 13/006; A01K 15/04; A01K 47/00; A01K 47/02; A01K 47/04; A01K 47/06

DESCRIPTION

See application file for complete search history.

FIG. 1 is an upper front perspective view of a replaceable dockable membrane module.
FIG. 2 is a lower front perspective view of the replaceable dockable membrane module depicted in FIG. 1.
FIG. 3 is a front elevation view of the replaceable dockable membrane module depicted in FIG. 1.
FIG. 4 is a rear elevation view of the replaceable dockable membrane module depicted in FIG. 1.
FIG. 5 is a right side elevation view of the replaceable dockable membrane module depicted in FIG. 1.
FIG. 6 is a left side elevation view of the replaceable dockable membrane module depicted in FIG. 1.
FIG. 7 is a top plan view of the replaceable dockable membrane module depicted in FIG. 1; and,
FIG. 8 is a bottom plan view of the replaceable dockable membrane module depicted in FIG. 1.

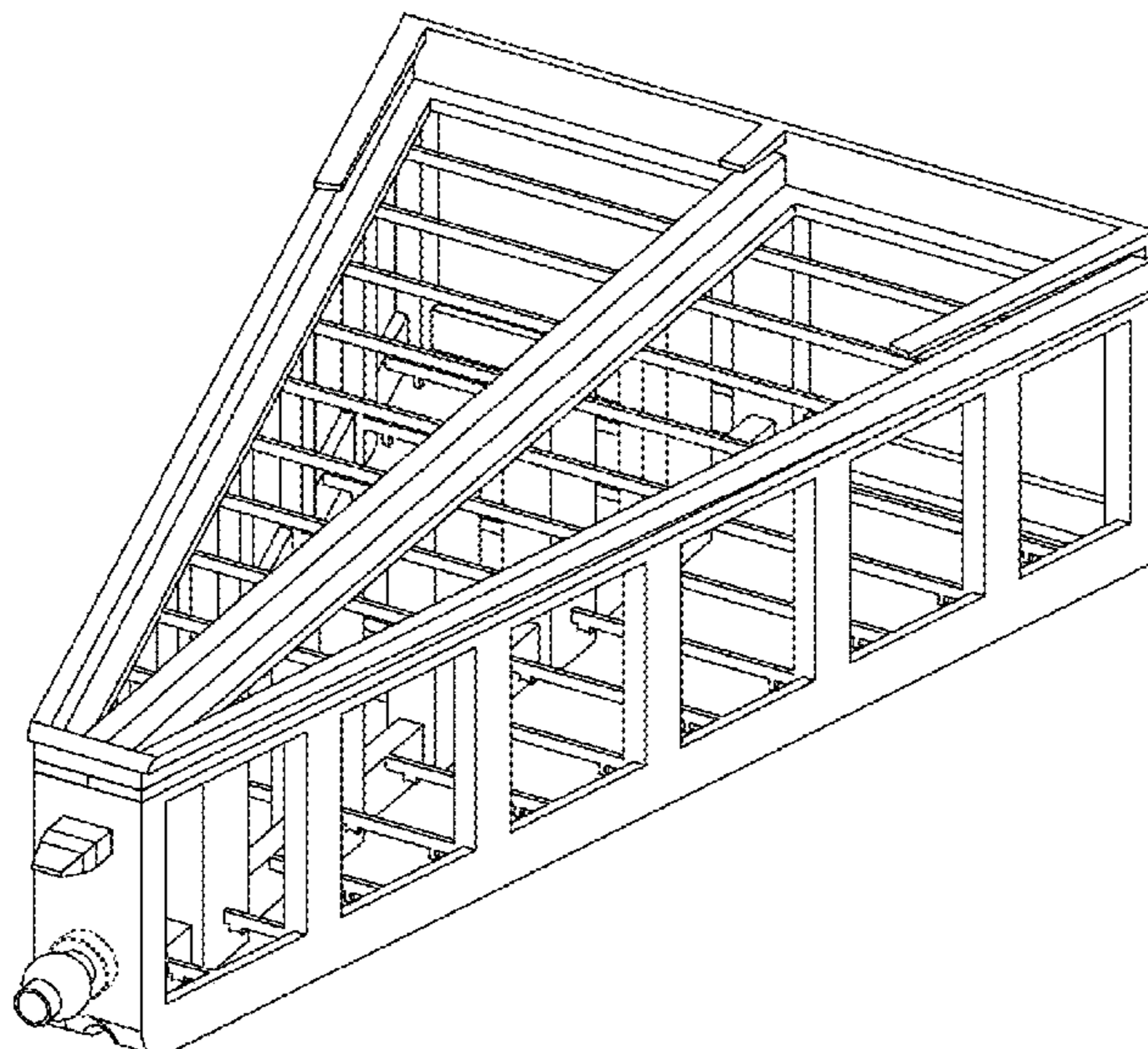
(56) **References Cited**

U.S. PATENT DOCUMENTS

2,987,472 A 6/1961 Kollsman
3,060,119 A 10/1962 Carpenter
D196,359 S * 9/1963 Rushton D25/55
4,334,992 A 6/1982 von Bonin et al.

(Continued)

1 Claim, 8 Drawing Sheets



(56)

References Cited

U.S. PATENT DOCUMENTS

4,512,886 A 4/1985 Hicks et al.
 5,192,434 A 3/1993 Moller
 D338,363 S * 8/1993 Martel D6/596
 D347,666 S * 6/1994 Hand D21/671
 5,366,635 A 11/1994 Watkins
 5,620,605 A 4/1997 Moller
 5,788,858 A 8/1998 Acernese et al.
 5,972,216 A 10/1999 Acernese et al.
 6,079,366 A * 6/2000 Telleen A01K 1/0157
 119/529
 6,348,148 B1 2/2002 Bosley
 6,656,352 B2 12/2003 Bosley
 D493,897 S * 8/2004 Campacci D25/163
 6,800,201 B2 10/2004 Bosley
 D519,172 S * 4/2006 Penat D21/694
 D522,067 S * 5/2006 Allen D21/321
 D606,352 S * 12/2009 Lai D6/582
 D629,205 S * 12/2010 McGregor D30/120
 8,282,823 B2 10/2012 Acernese et al.
 D692,622 S * 10/2013 MacKenney D30/119
 D721,191 S * 1/2015 Amend D25/157
 9,636,635 B2 5/2017 Benton et al.
 D810,324 S * 2/2018 Brousseau D25/157
 D812,315 S * 3/2018 Gil Gonzalez D30/119
 D841,898 S * 2/2019 Selby A01K 67/033
 D30/120
 D898,232 S * 10/2020 Huang D25/163
 D900,266 S * 10/2020 Stoter B63B 5/24
 D21/809
 D933,136 S * 10/2021 Wang D21/491
 D939,732 S * 12/2021 Nelson D25/138
 D945,025 S * 3/2022 Parsons D25/138
 D945,648 S * 3/2022 Davis D25/138
 D952,065 S * 5/2022 Zhang D21/671
 D952,908 S * 5/2022 Charpentier D25/138

2005/0218074 A1 10/2005 Pollock
 2008/0190849 A1 8/2008 Vuong
 2010/0276369 A1 11/2010 Haag
 2014/0339169 A1 11/2014 Zeren et al.
 2015/0343385 A1 12/2015 Marschke
 2018/0001263 A1 1/2018 Johnson et al.
 2019/0186155 A1 * 6/2019 Huss E04F 15/225
 2020/0031691 A1 1/2020 Bergstrom

FOREIGN PATENT DOCUMENTS

WO WO2006006942 A1 1/2006
 WO WO2012131621 A2 10/2012
 WO WO2018148528 A1 8/2018
 WO WO-2021087472 A1 * 5/2021 B01D 61/025

OTHER PUBLICATIONS

PlayStar Aluminum Floating Dock Kit W/Resin Top—4'X10' Strong, Dec. 16, 2012, amazon.com Jun. 9, 2022, URL: <https://www.amazon.com/Playstar-Aluminum-Floating-Dock-Resin/dp/B00AP7KK44/> (Year: 2022).*

Taylor Made Products Dock Floats, Tough Shell, EPS Foam Filled, Jul. 1, 2003, amazon.com, Jun. 9, 2022, URL: <https://www.amazon.com/Taylor-Products-46116-Float-Height/dp/B000MTVUF8/> (Year: 2003).*

Bergstrom et al., Thermal Energy Conversion Submerged Reverse Osmosis Desalination System, International Patent Application No. PCT/US20/58567, filed Nov. 2, 2020, 37 pages.

Bergstrom et al., Submerged Water Desalination System With Replaceable Dockable Membrane Modules, International Patent Application No. PCT/US20/58569, filed Nov. 2, 2020, 60 pages.

Bergstrom, Adhesively-Bonded Water Separation Cartridge Module, International Patent Application No. PCT/US20/58574, filed Nov. 2, 2020, 44 pages.

* cited by examiner

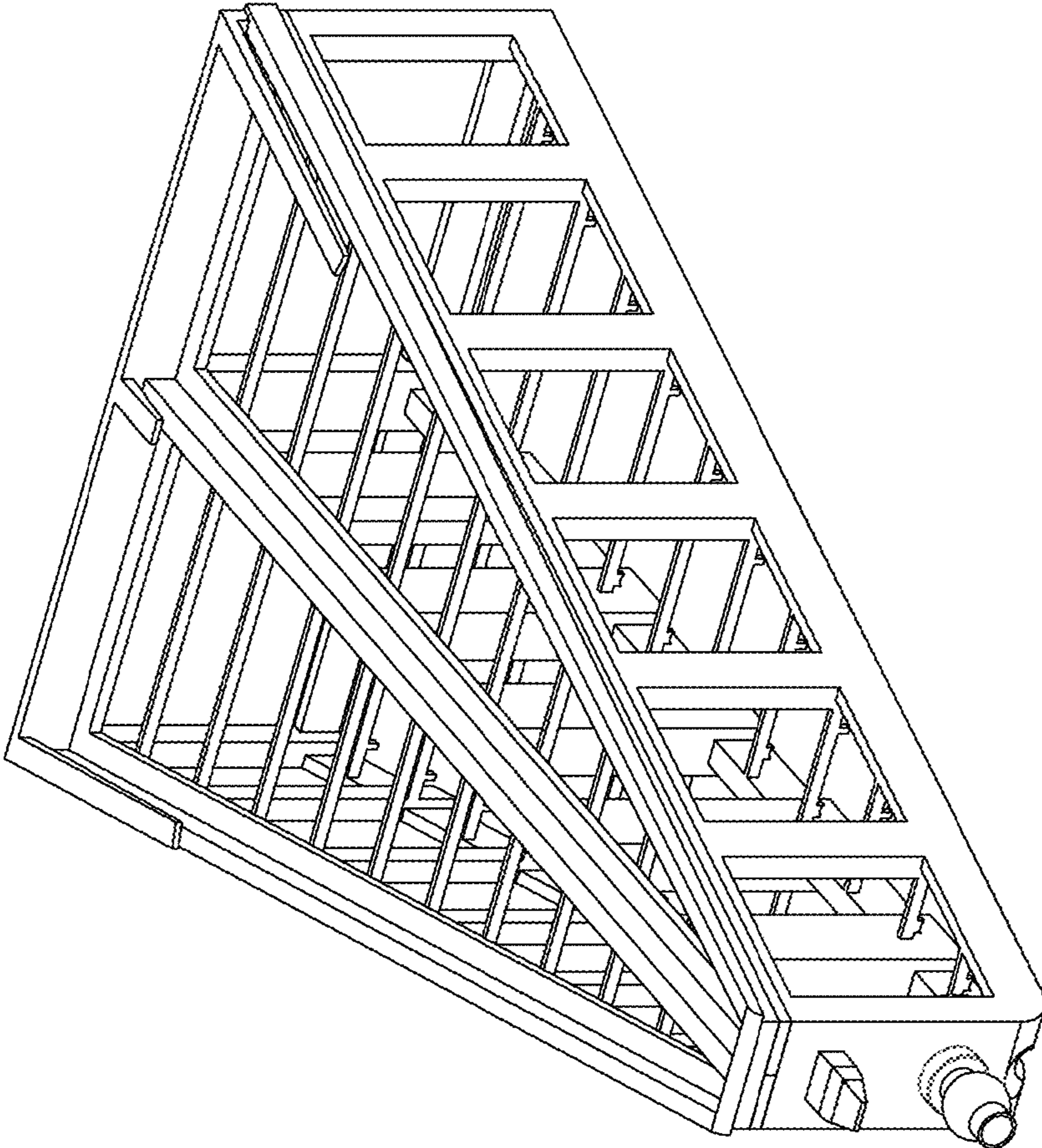


FIG. 1

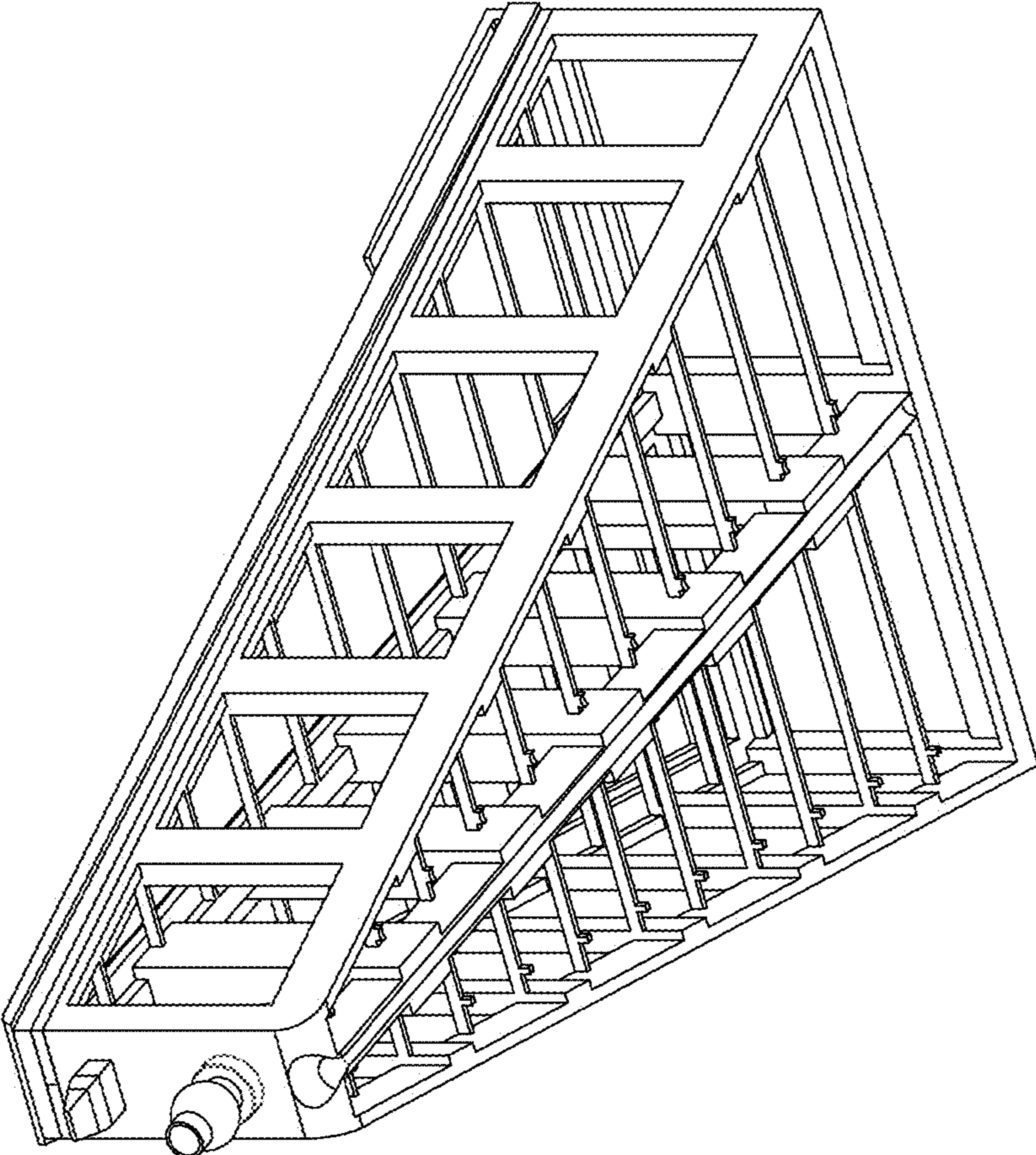


FIG. 2

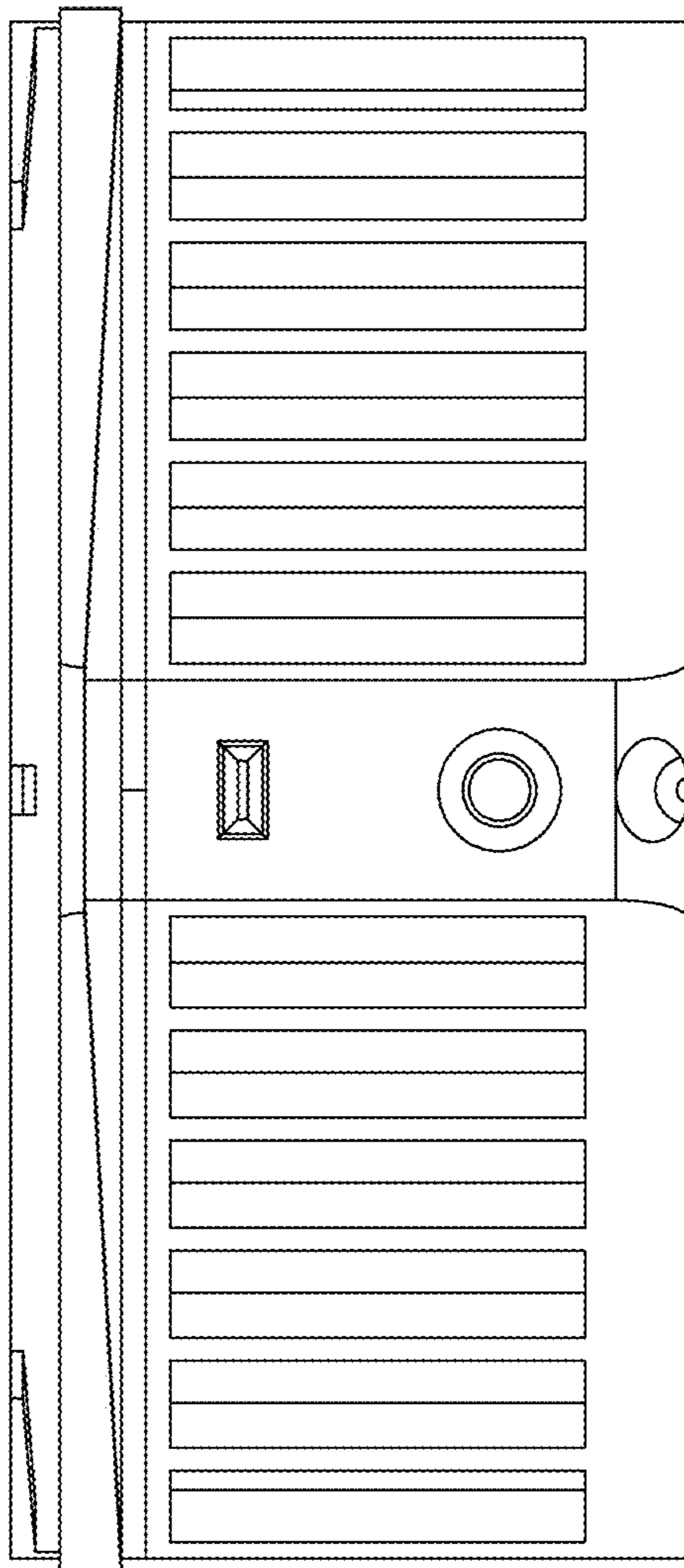


FIG. 3

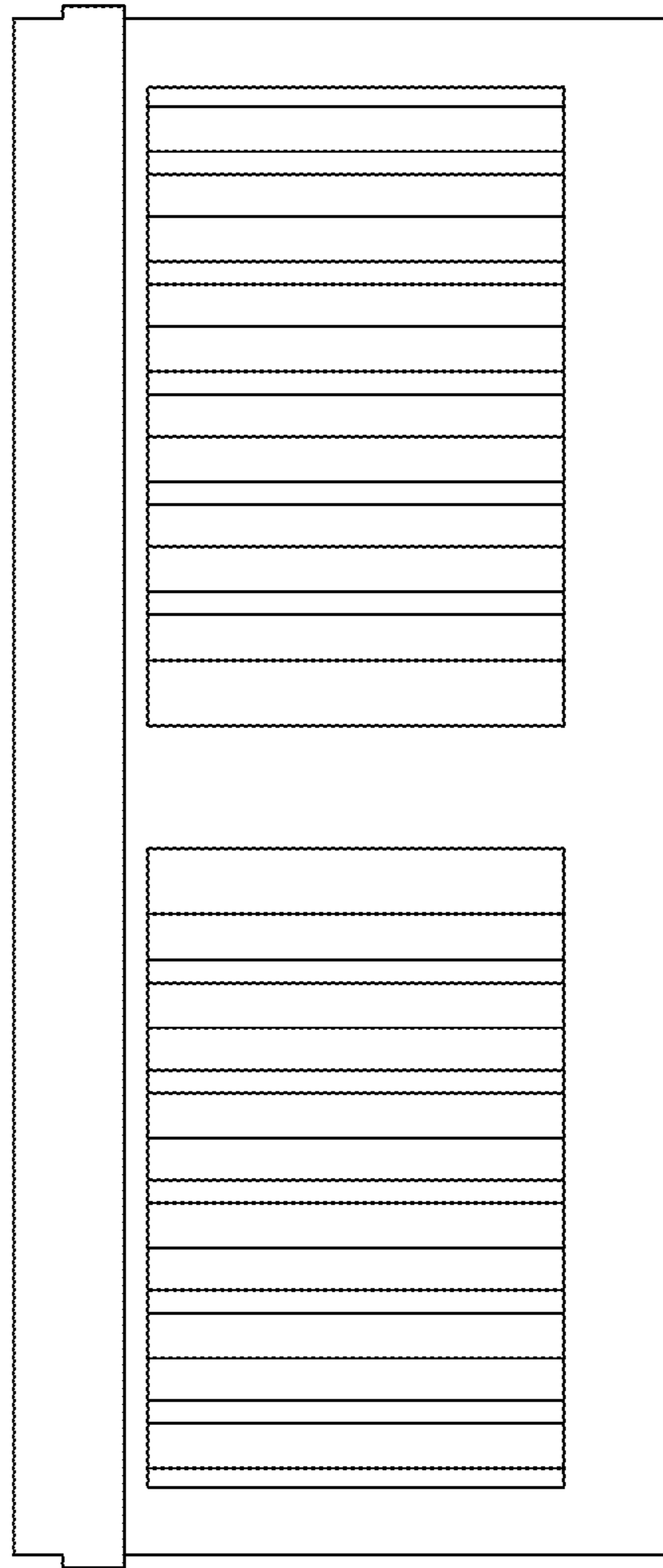


FIG. 4

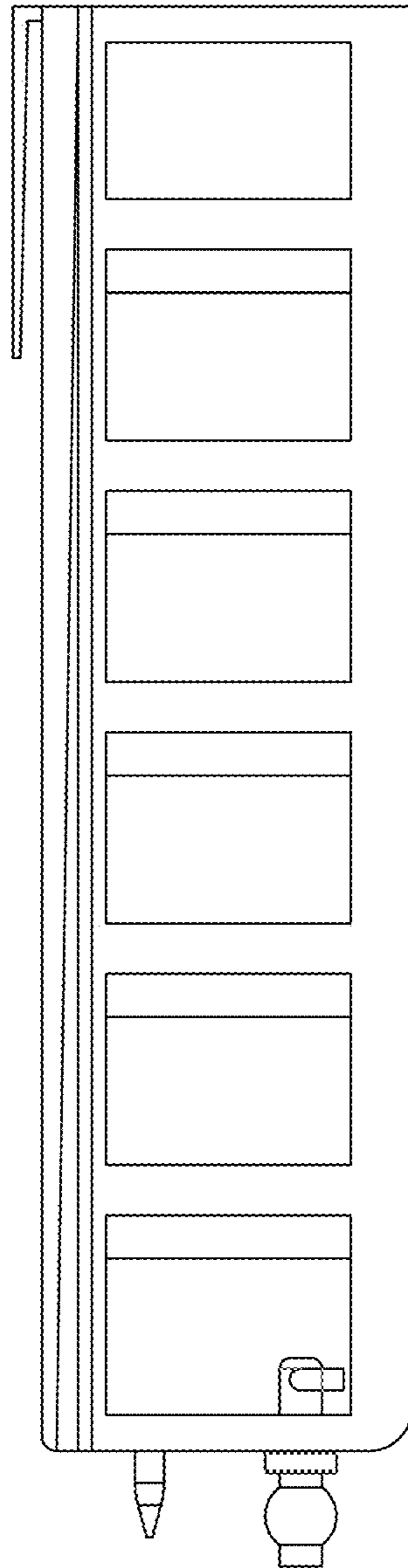


FIG. 5

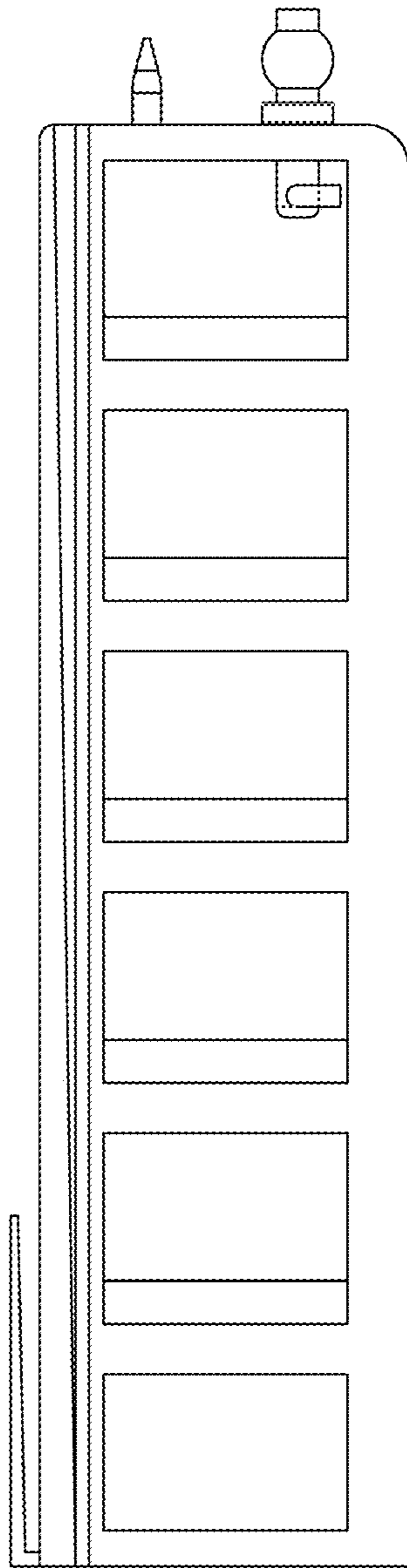


FIG. 6

FIG. 7

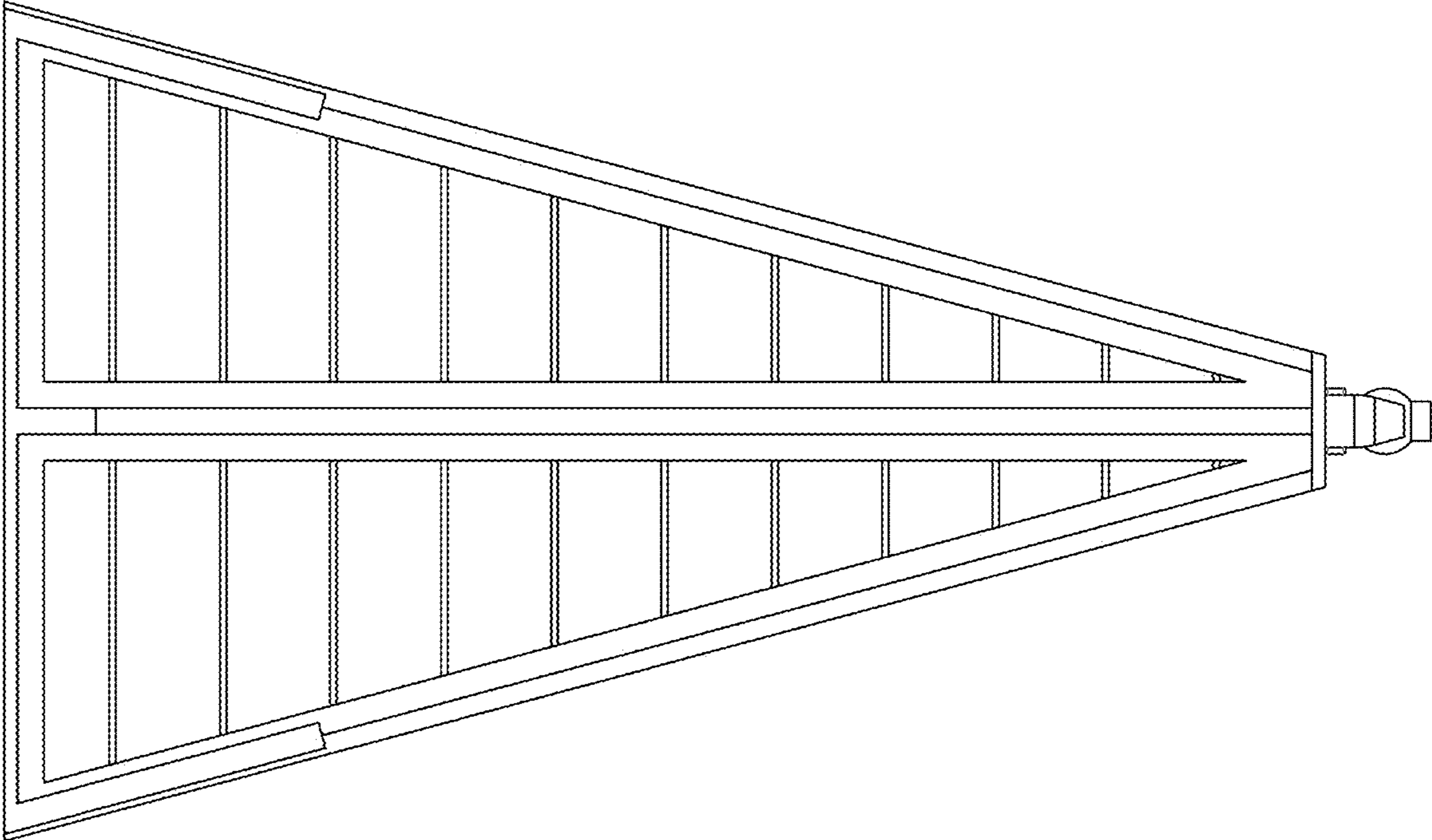


FIG. 8

